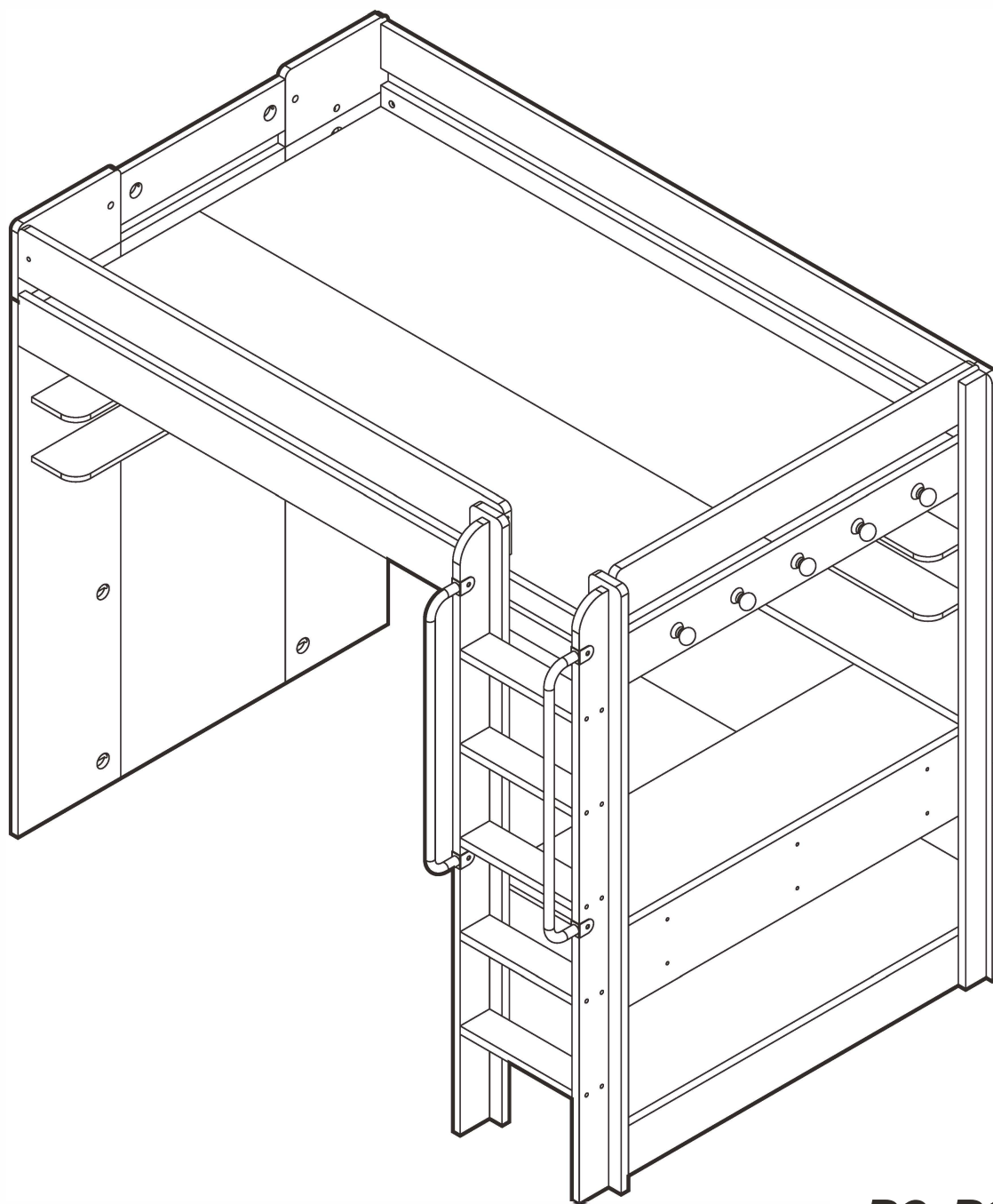
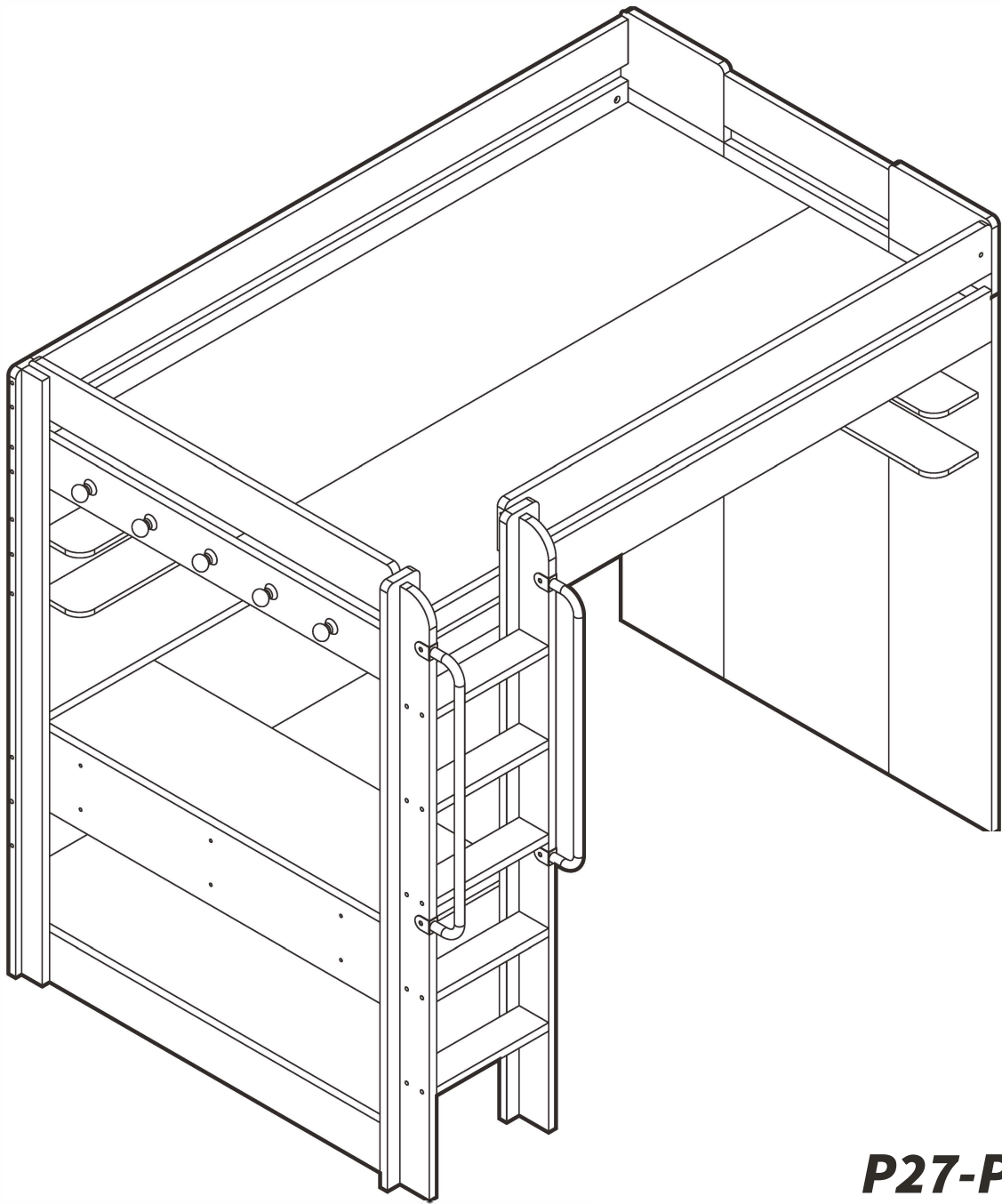


TEOM Loft Bed Installation Manual

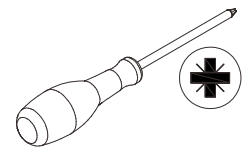
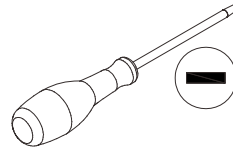
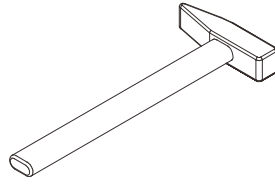
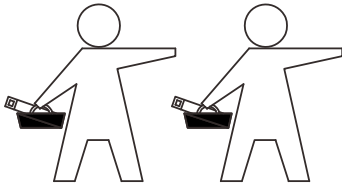


P2-P26

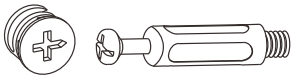




P27-P51



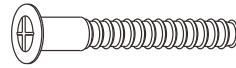
Ax12



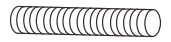
Bx24



Cx30



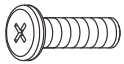
Dx12



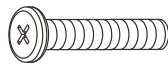
M7*38

M8*80

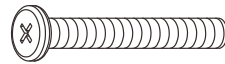
Ex16



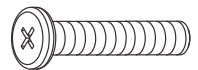
Fx3



Gx3



Hx2



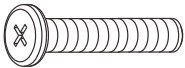
M6x15

M6x50

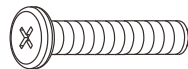
M6x90

M8x30

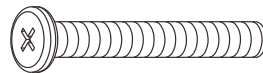
Jx14



Kx49



Lx7



Mx60



Nx6



M8*40

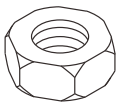
M8*55

M8*90

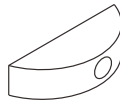
M8*15

M6*12

Ox12



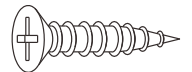
Px12



Qx12



Rx8



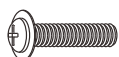
M8

3.5*14

Sx5



Tx5



M4*28

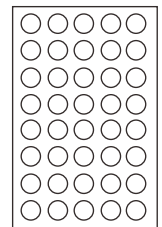
Ux10

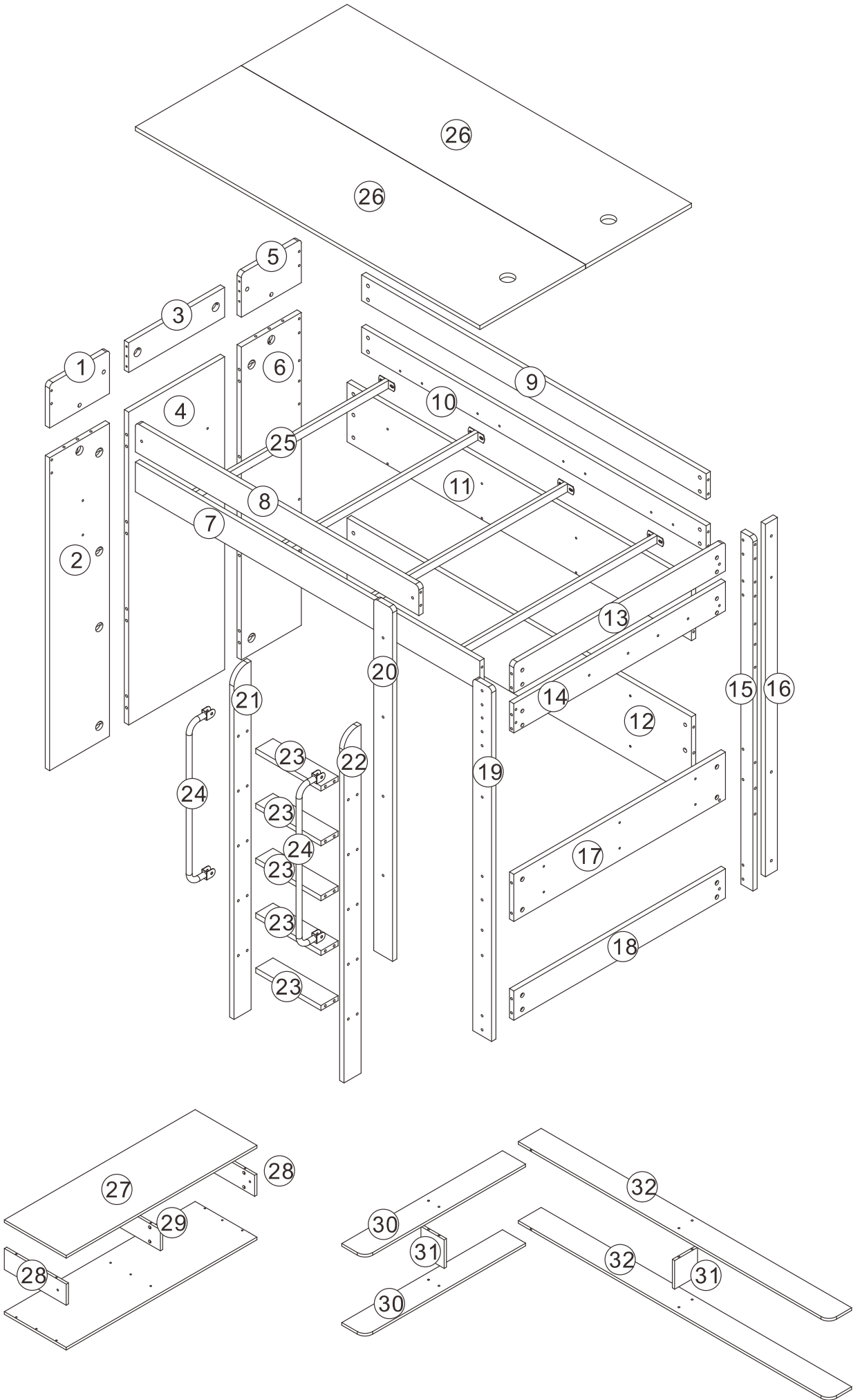


Vx1

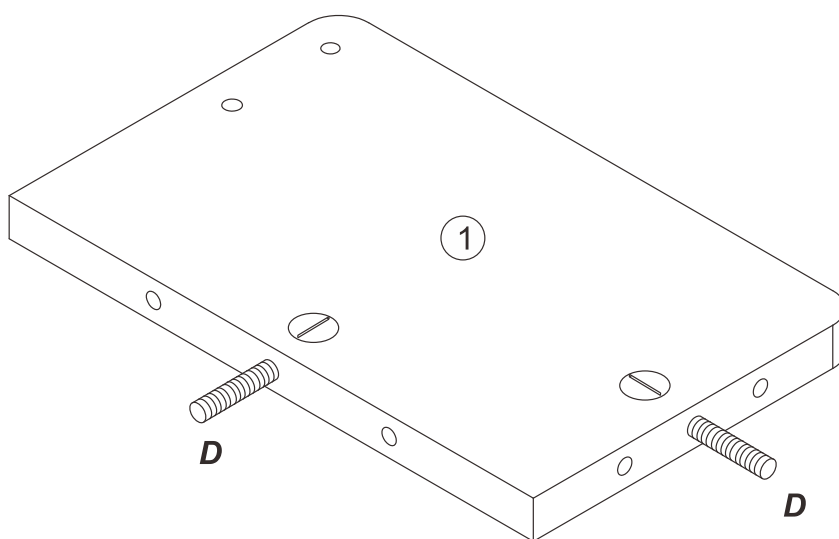
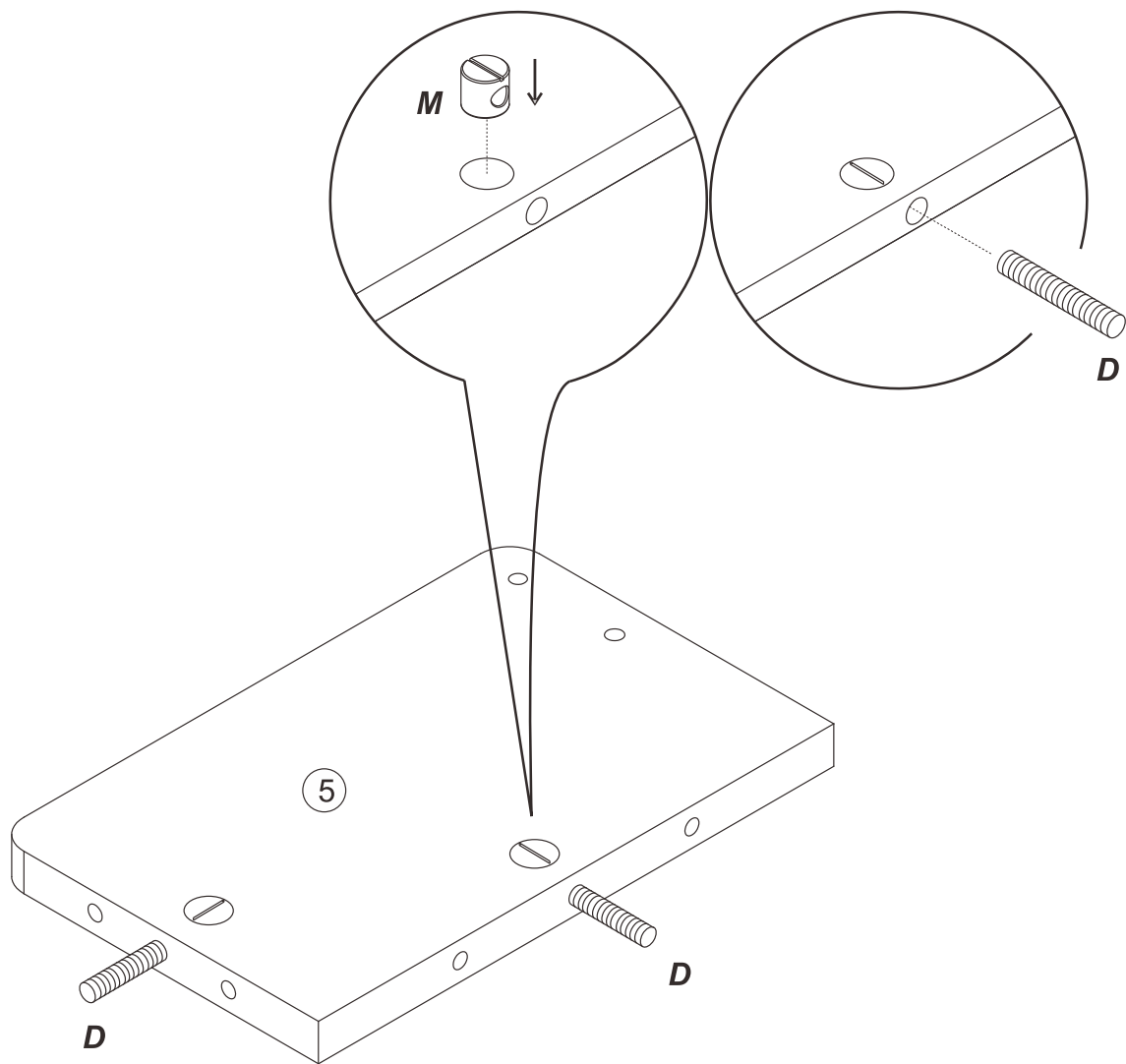




Wx100



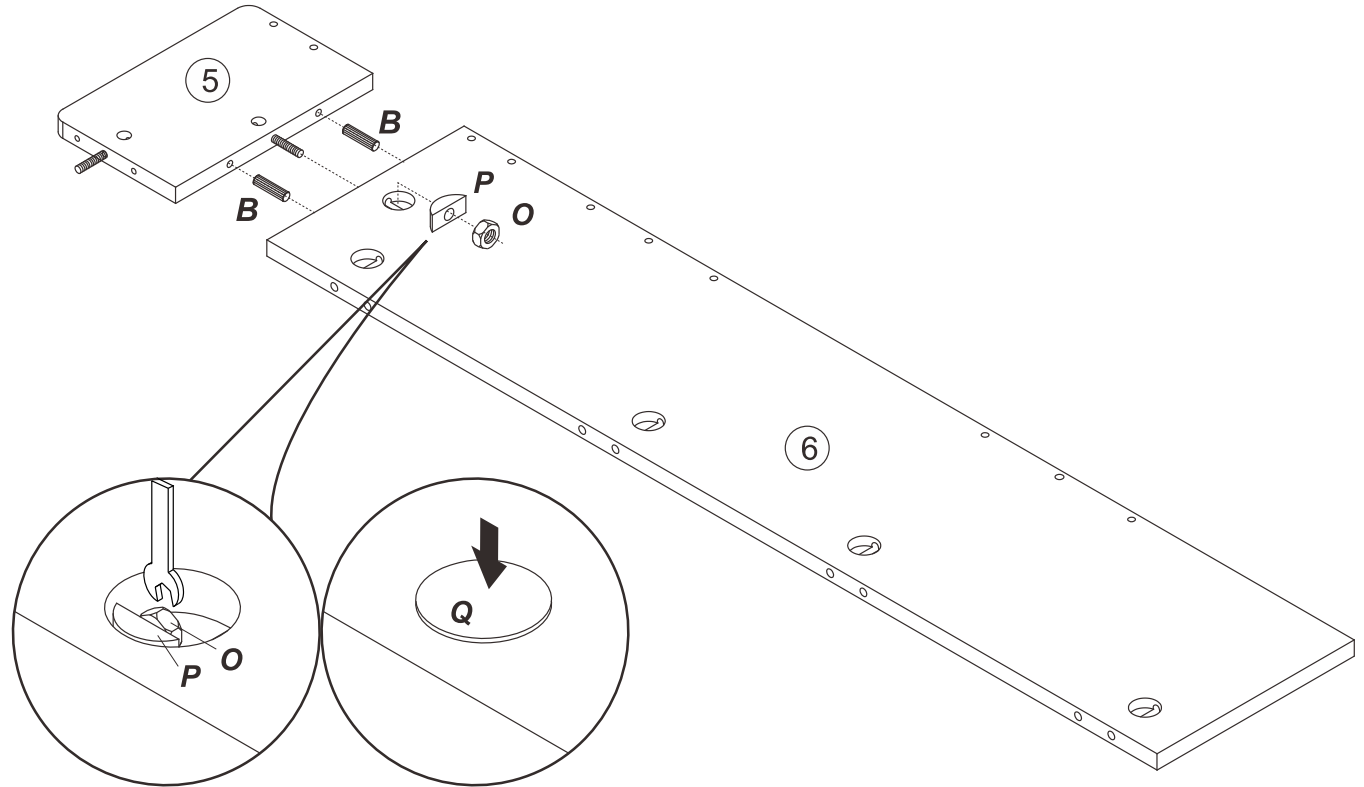
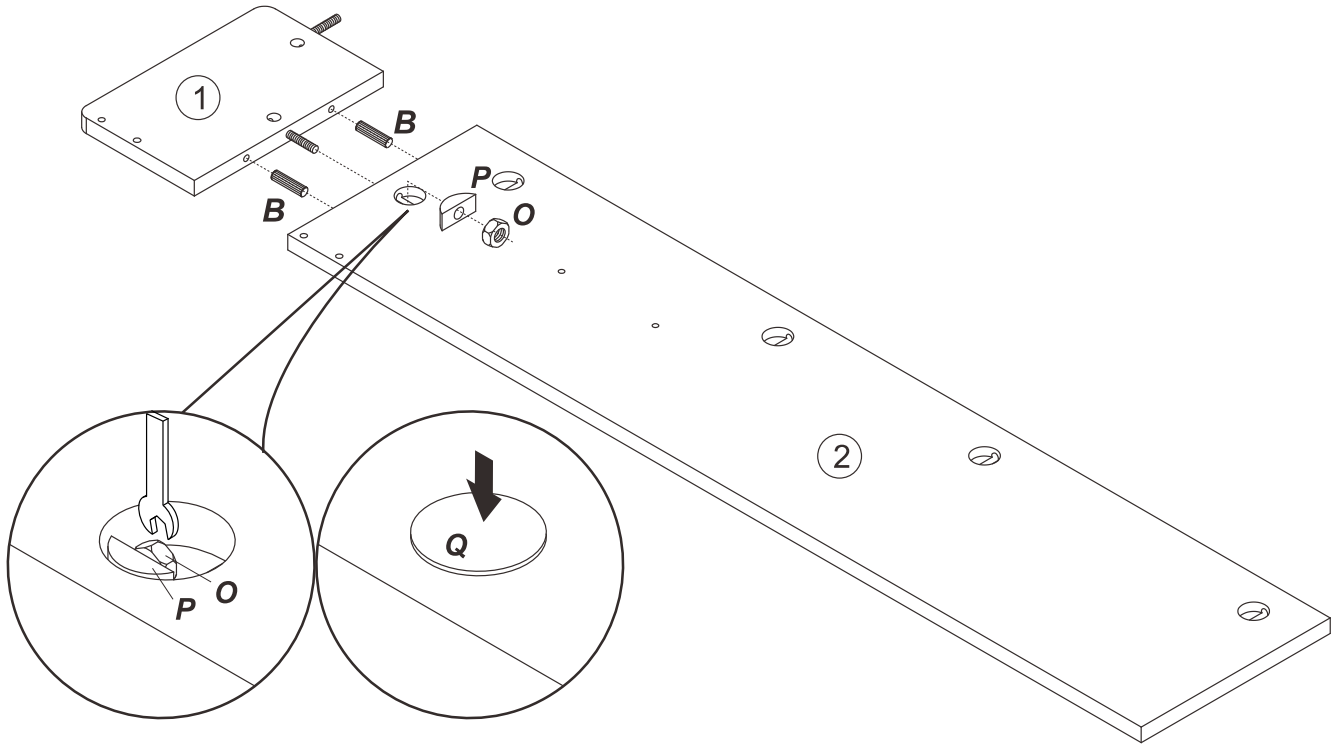


1.



| <i>Dx4</i> | <i>Mx4</i> |
|---|---|
|  |  |
| M8*80 | M8*15 |

2.



Bx4



Ox2



M8

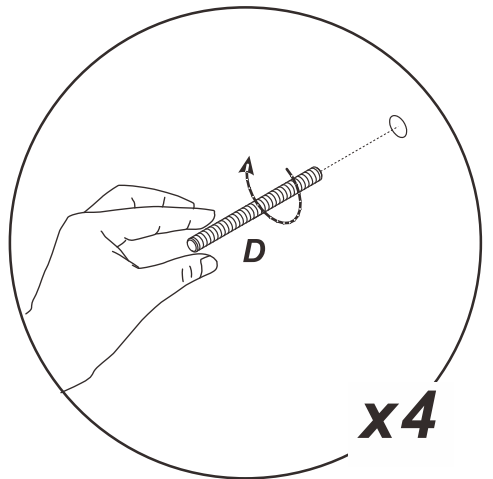
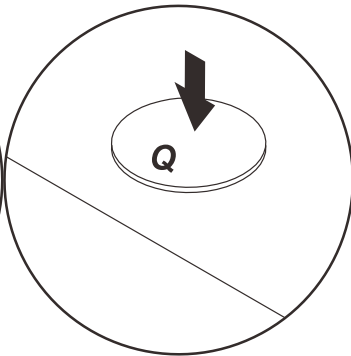
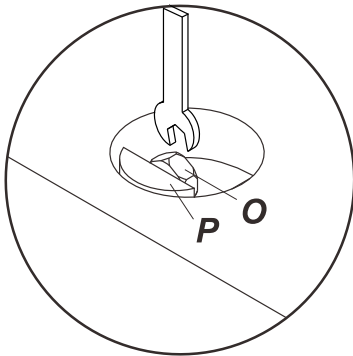
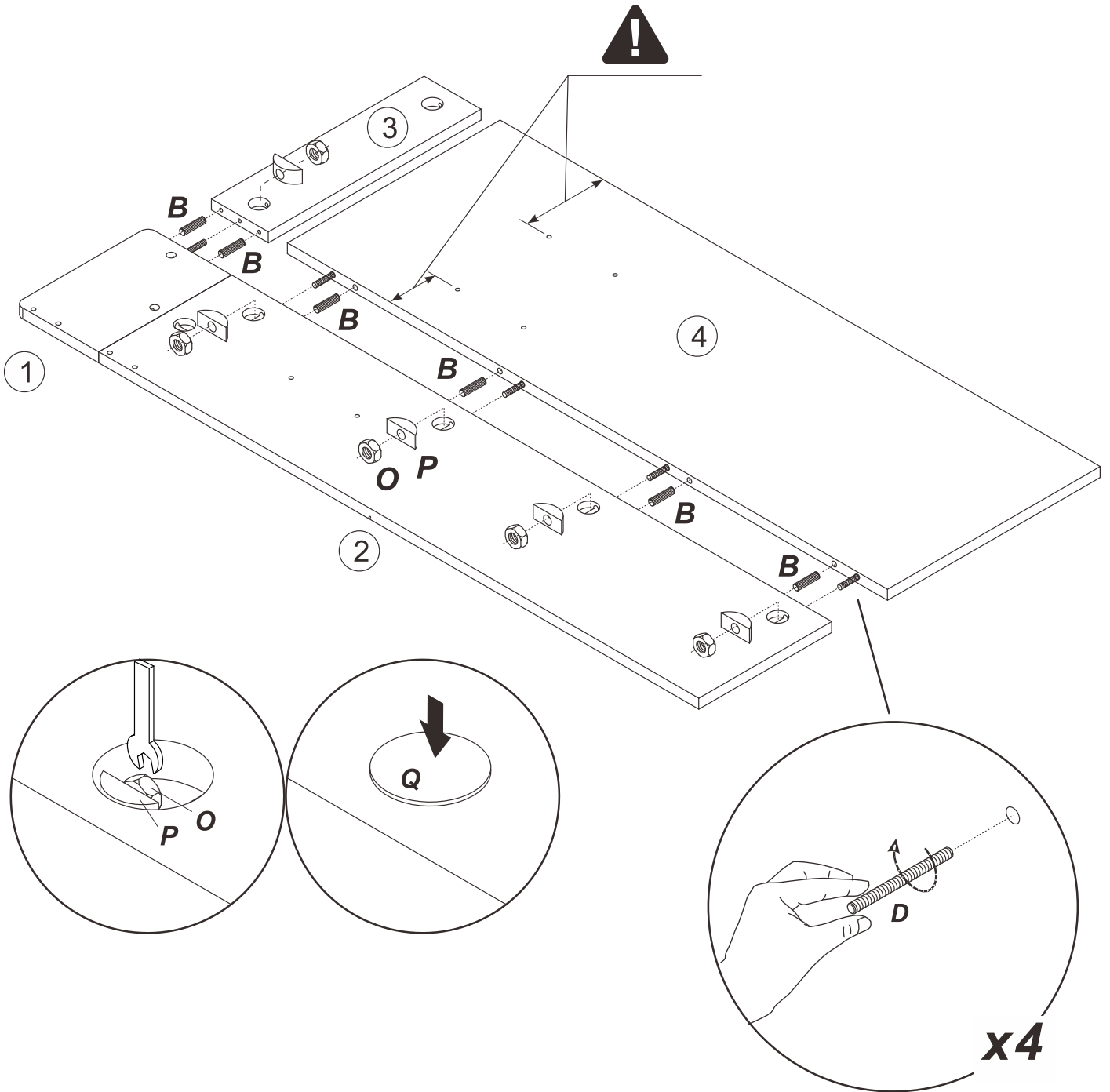
Px2

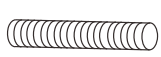



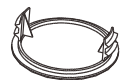


Qx2

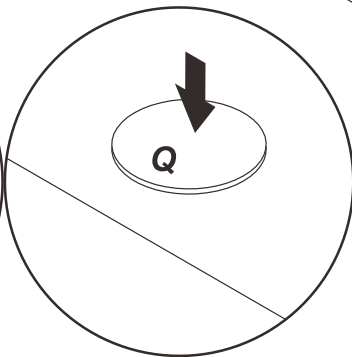
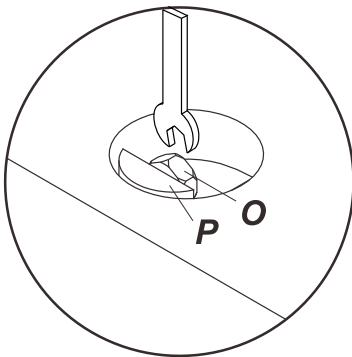
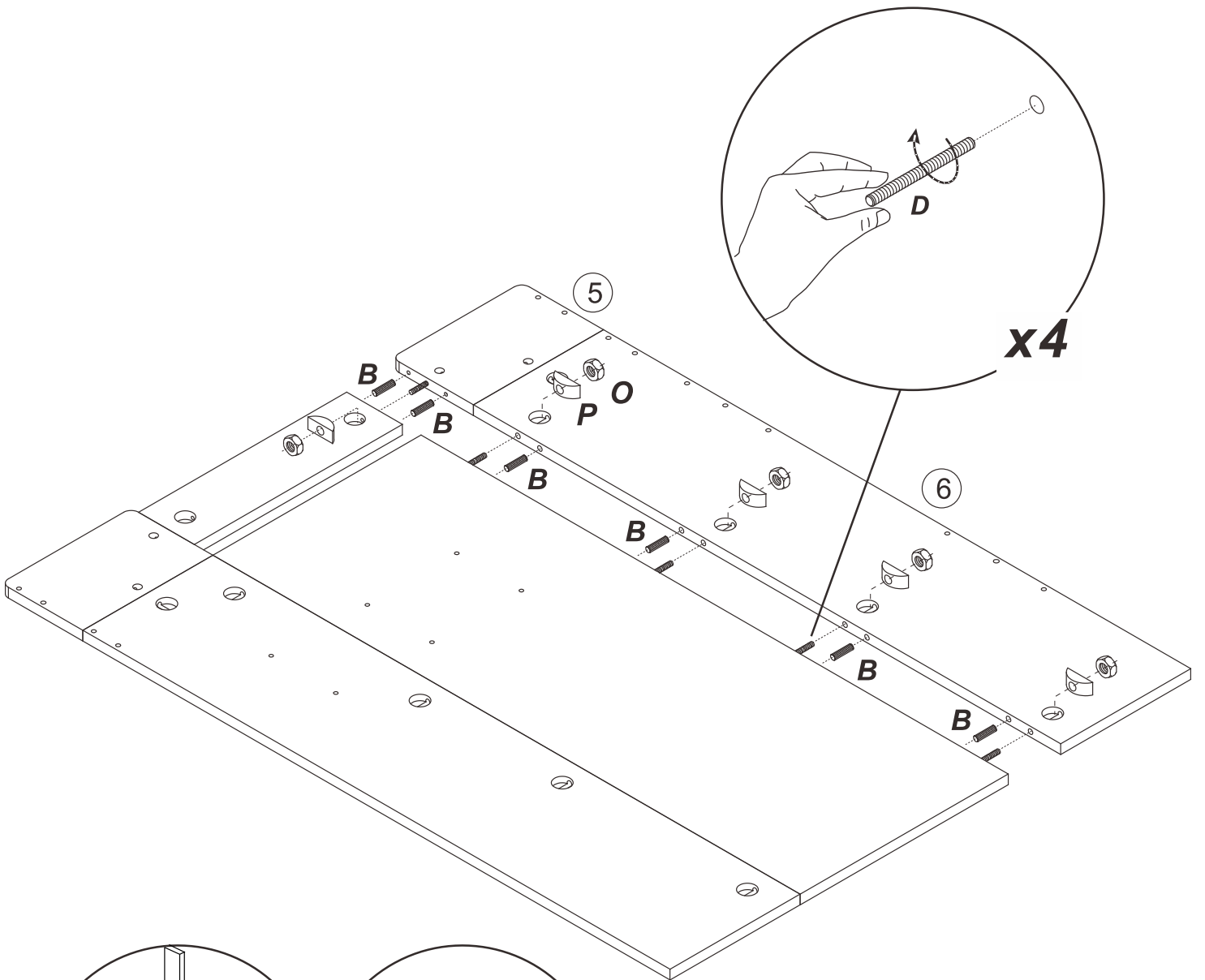




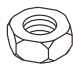


3.



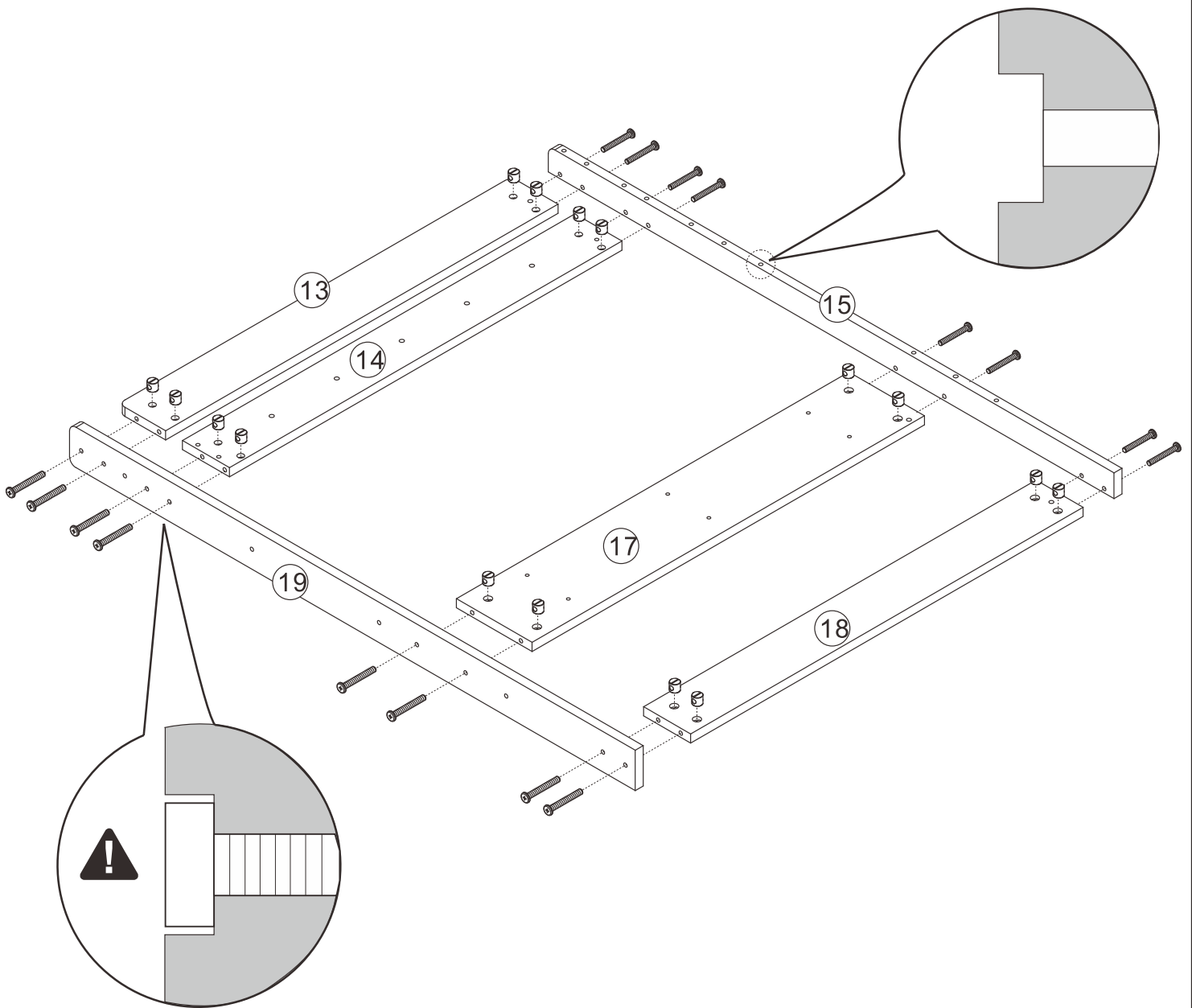
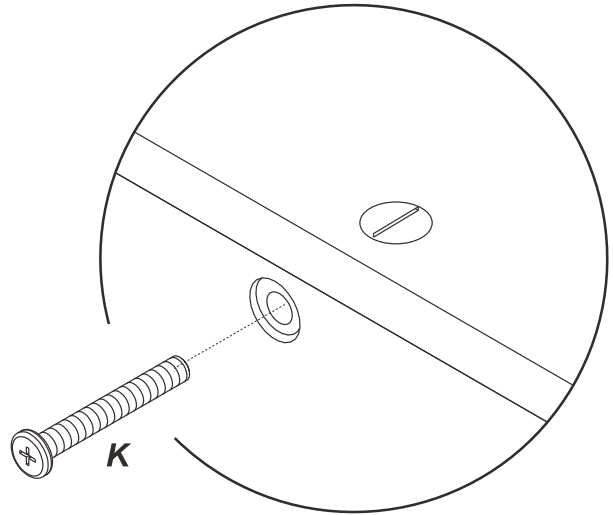
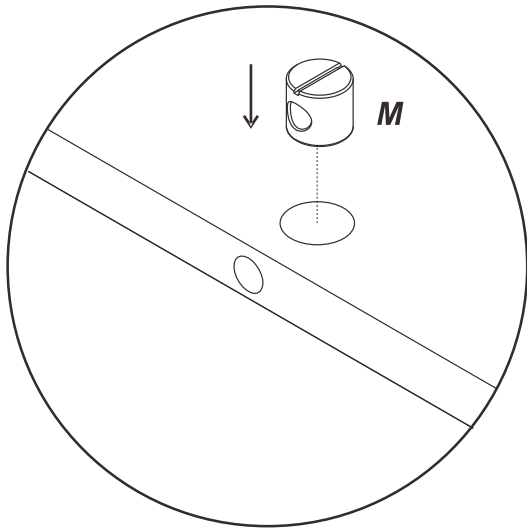
| Dx4 | Bx6 | Ox5 | Px5 | Qx5 |
|---|---|---|---|---|
|  |  |  |  |  |
| M8*80 | | M8 | | |

4.

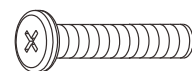


| Dx4 | Bx6 | Ox5 | Px5 | Qx5 |
|---|---|---|---|---|
|  |  |  |  |  |
| M8*80 | | M8 | | |

5.



Kx16



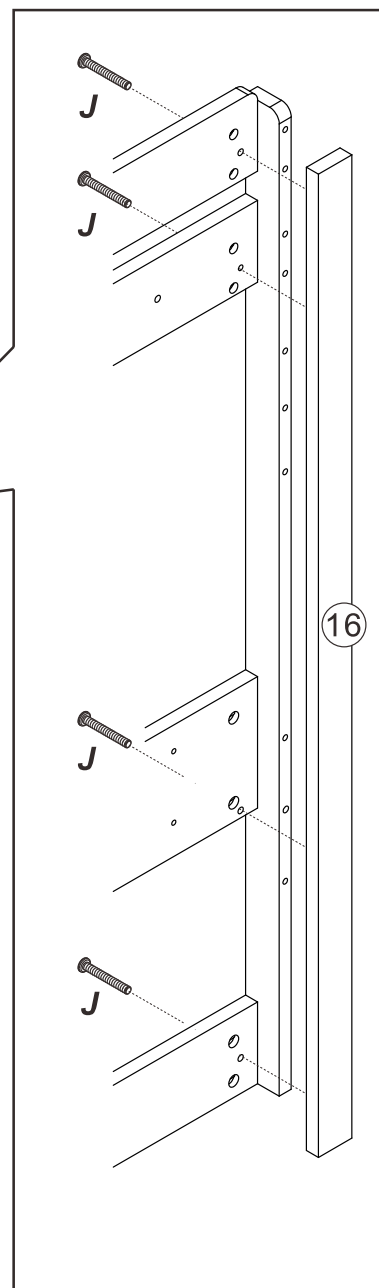
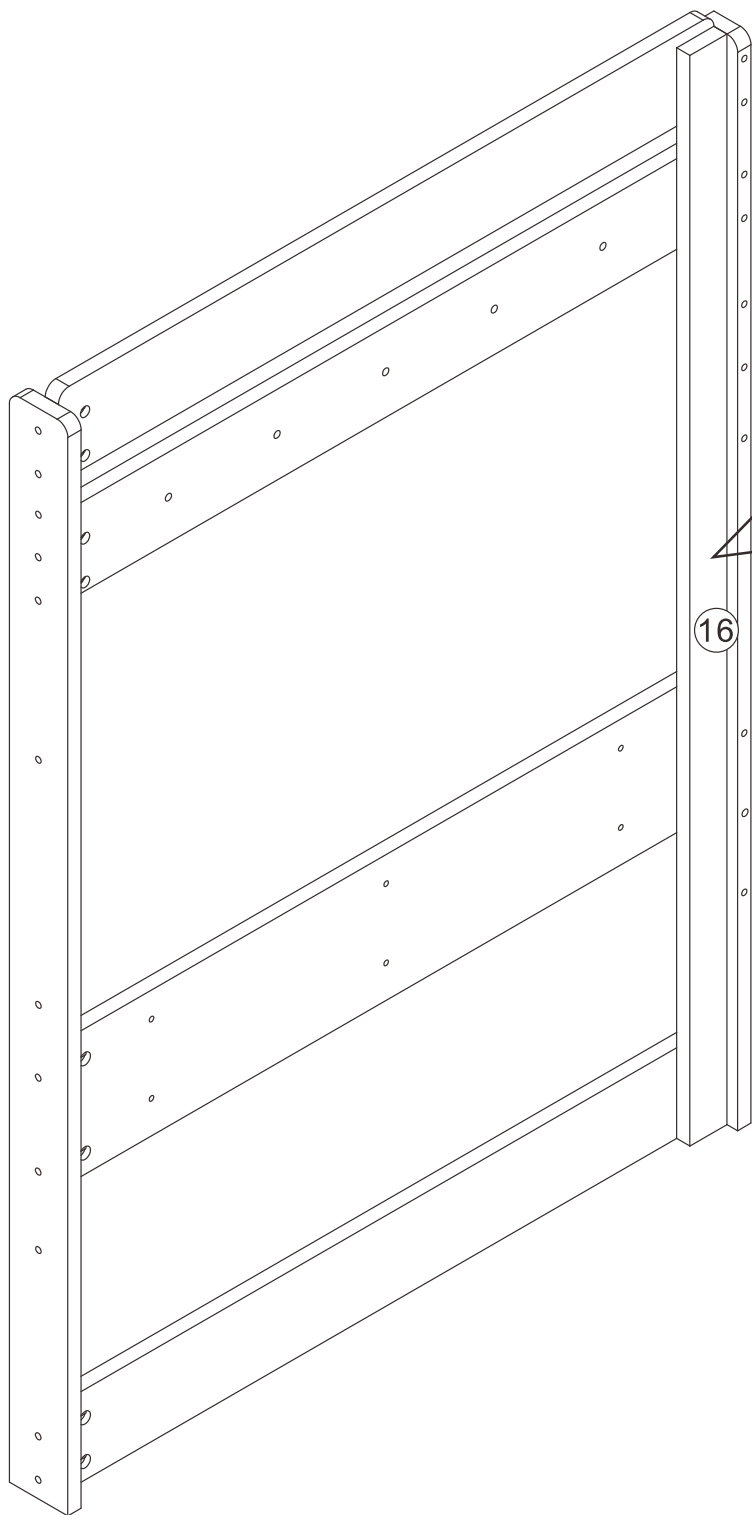
M8*55

Mx16

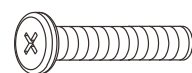


M8*15

6.

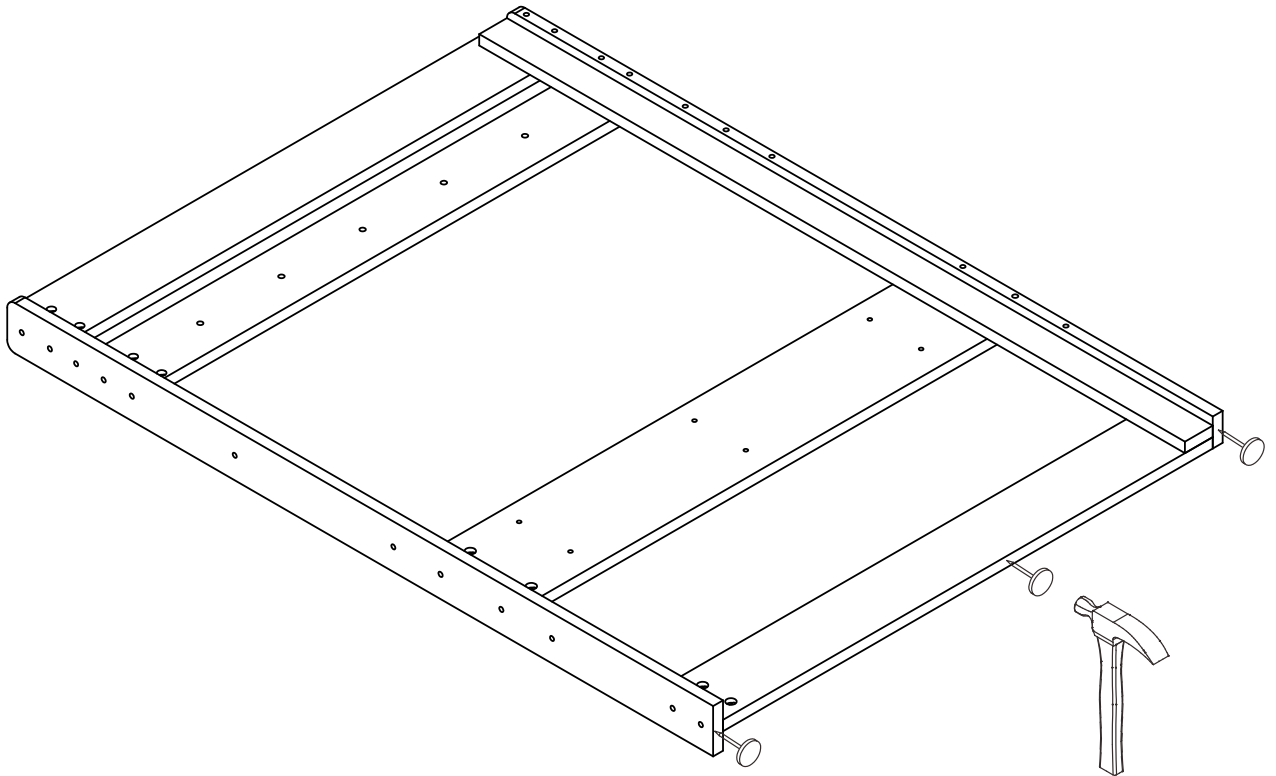
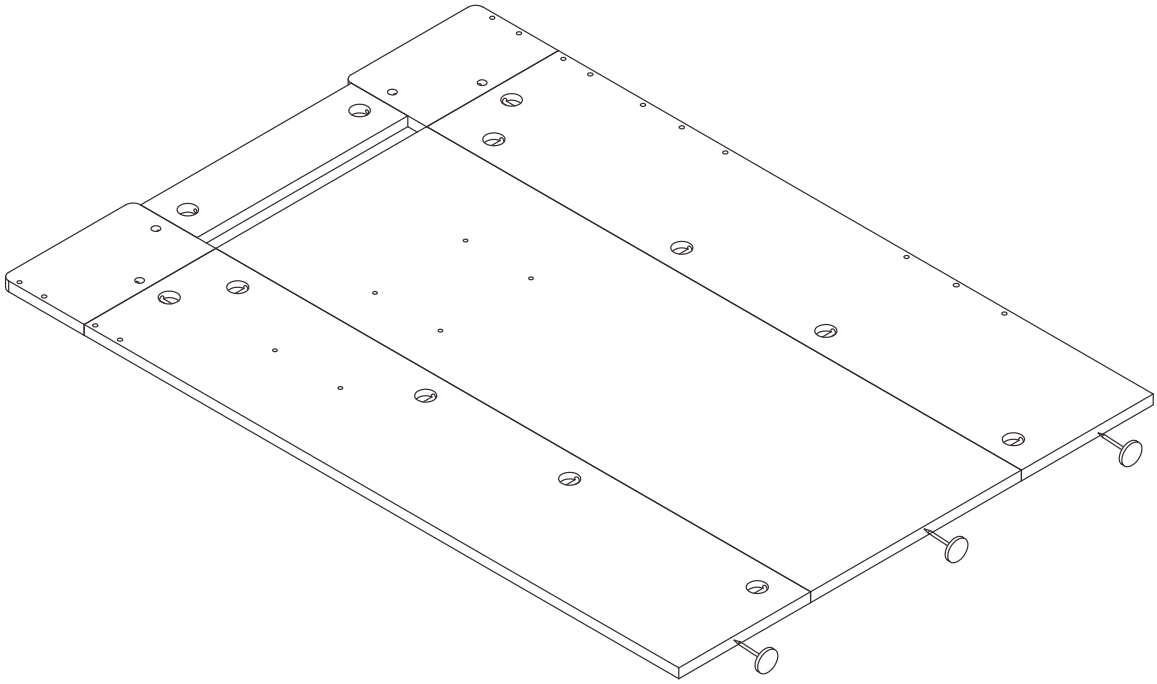


Jx4



M8*40

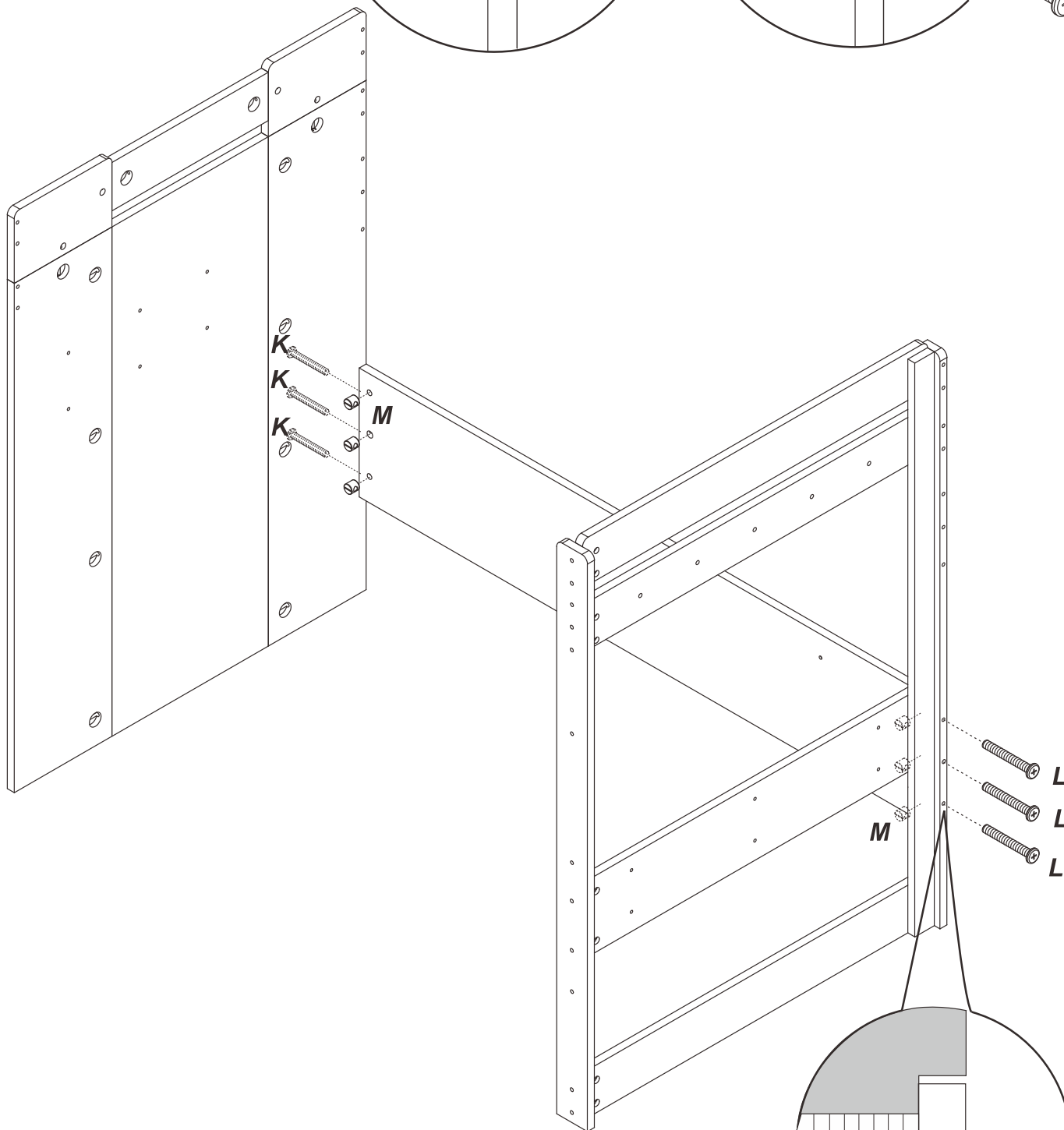
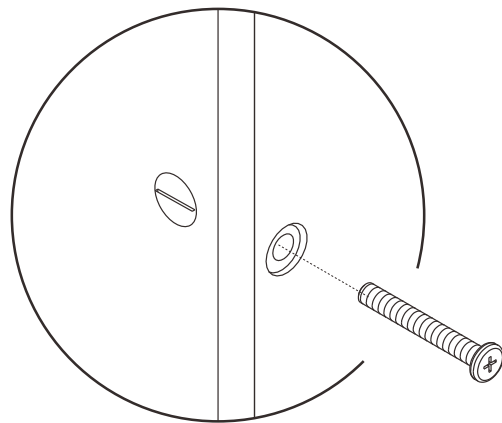
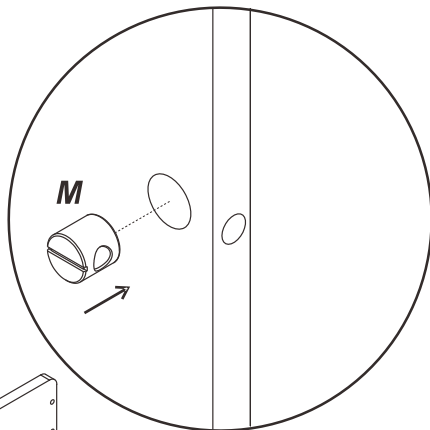
7.



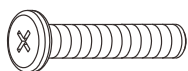
Ux 6



8.

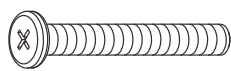


Kx3



M8*55

Lx3



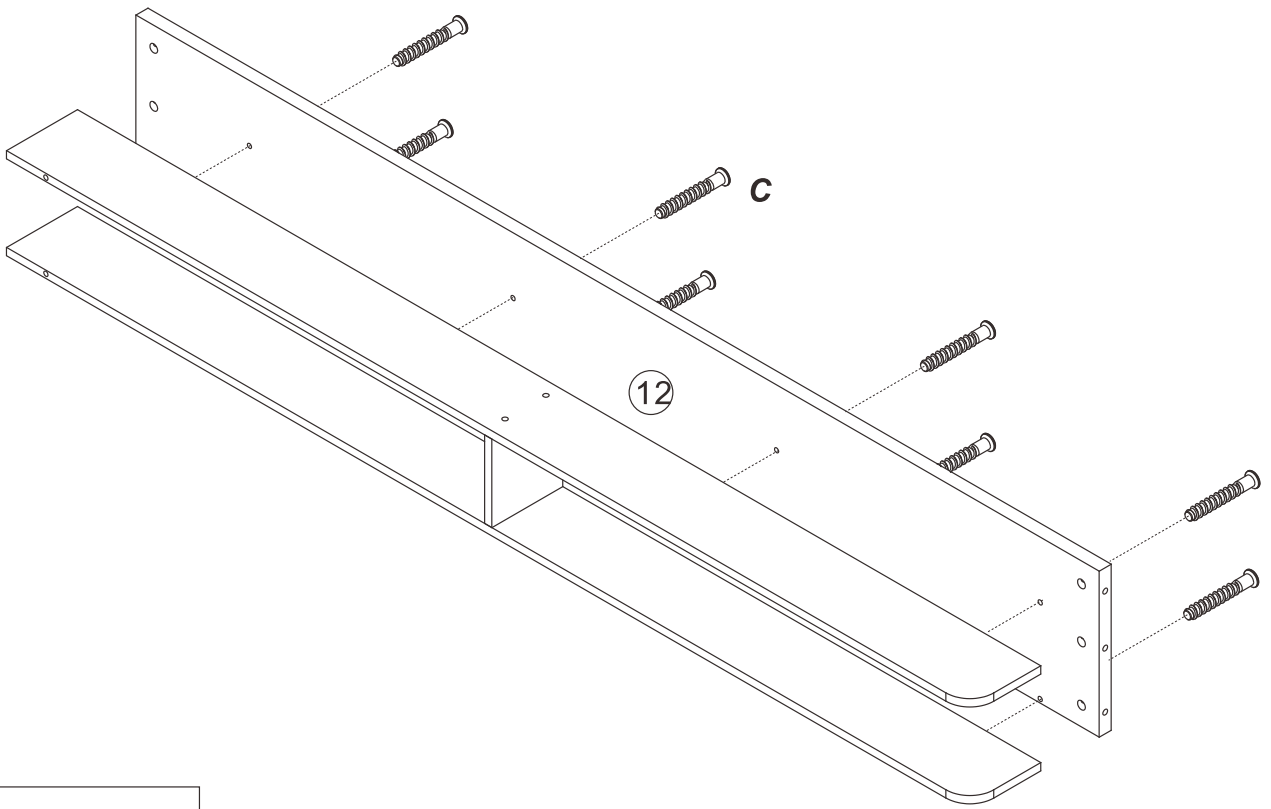
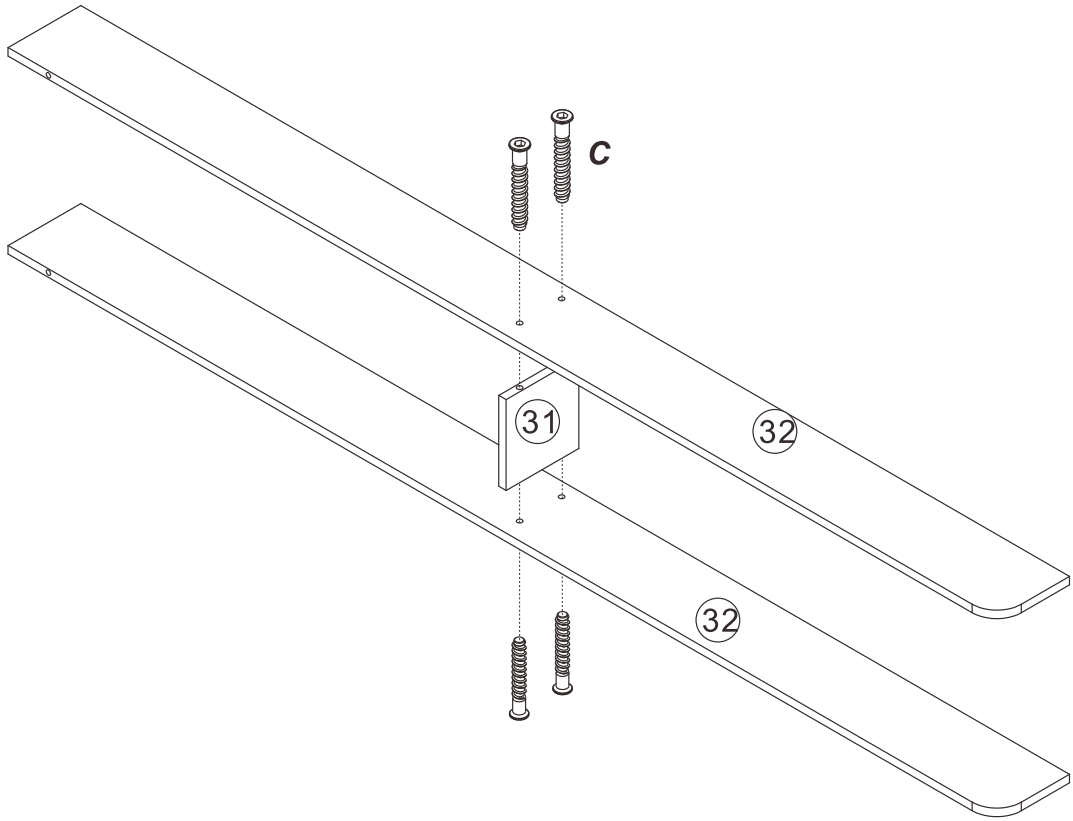
M8*90

Mx6

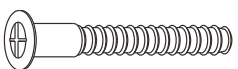


M8*15

9.

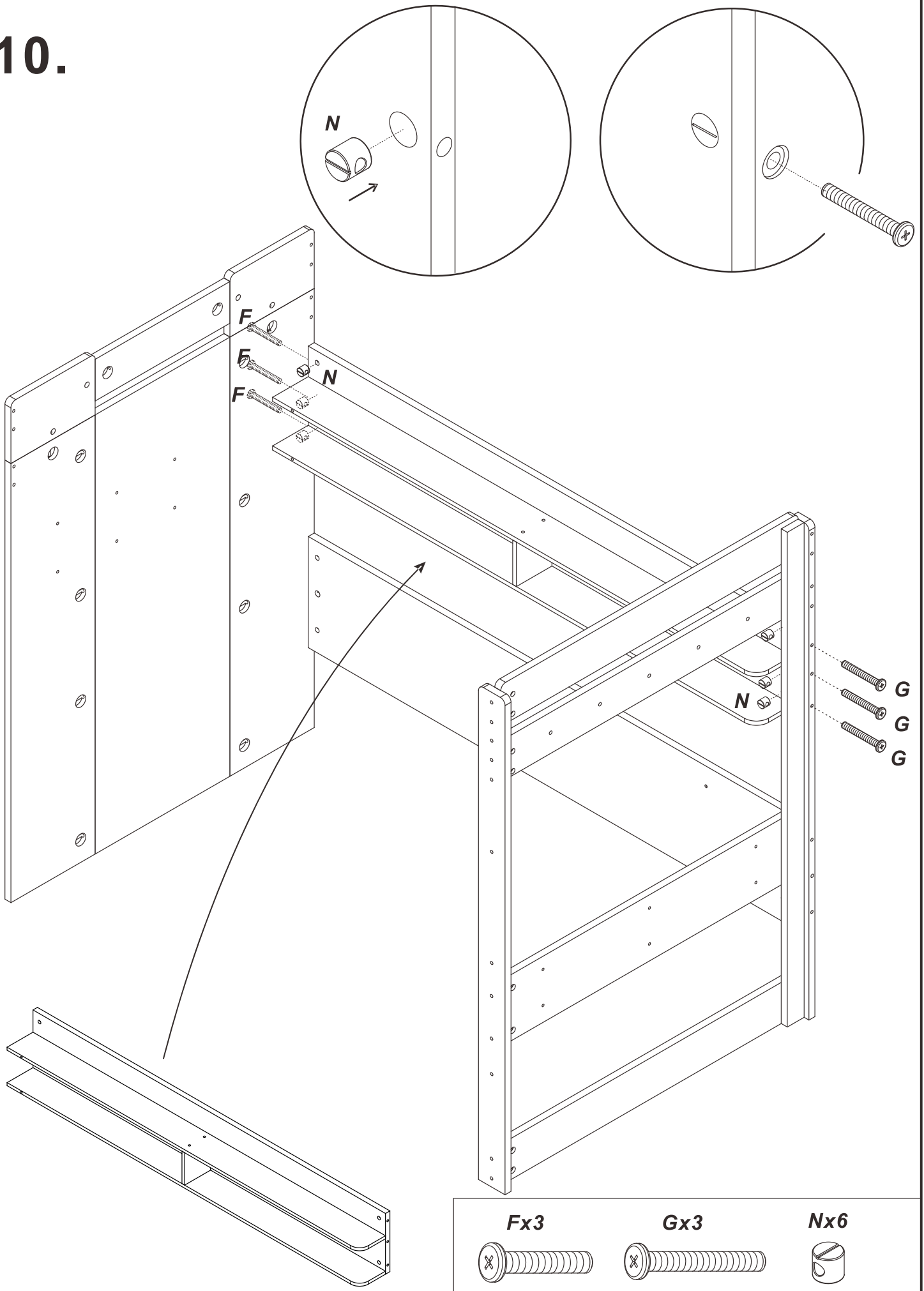



Cx12

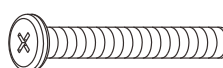


M7*38

10.



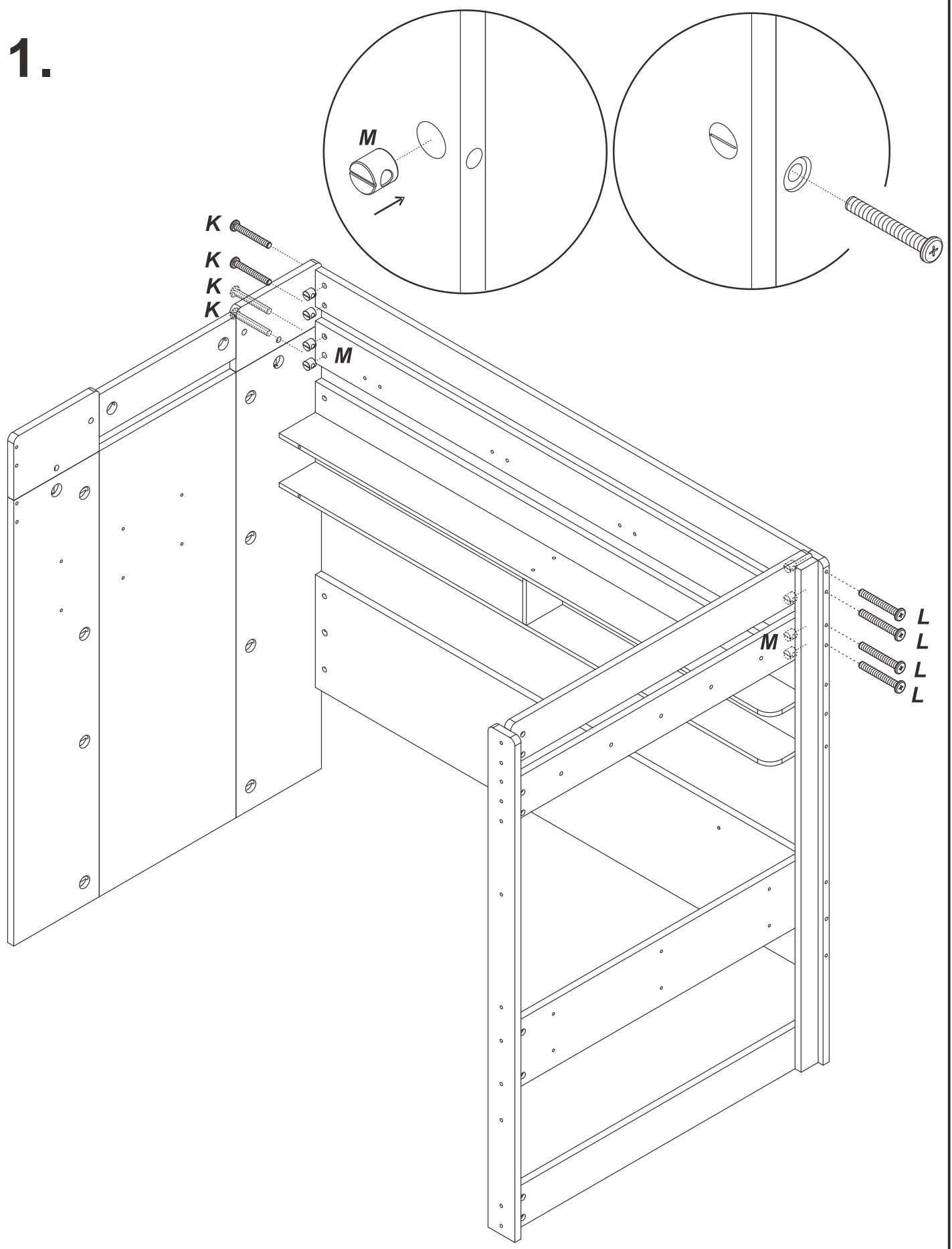
Fx3

M6*50

Gx3

M6*90

Nx6

M6*12

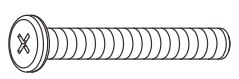
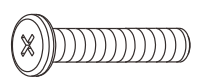
11.



Kx4

Lx4

Mx8

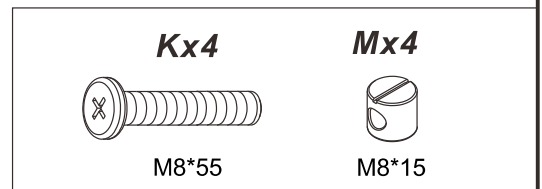
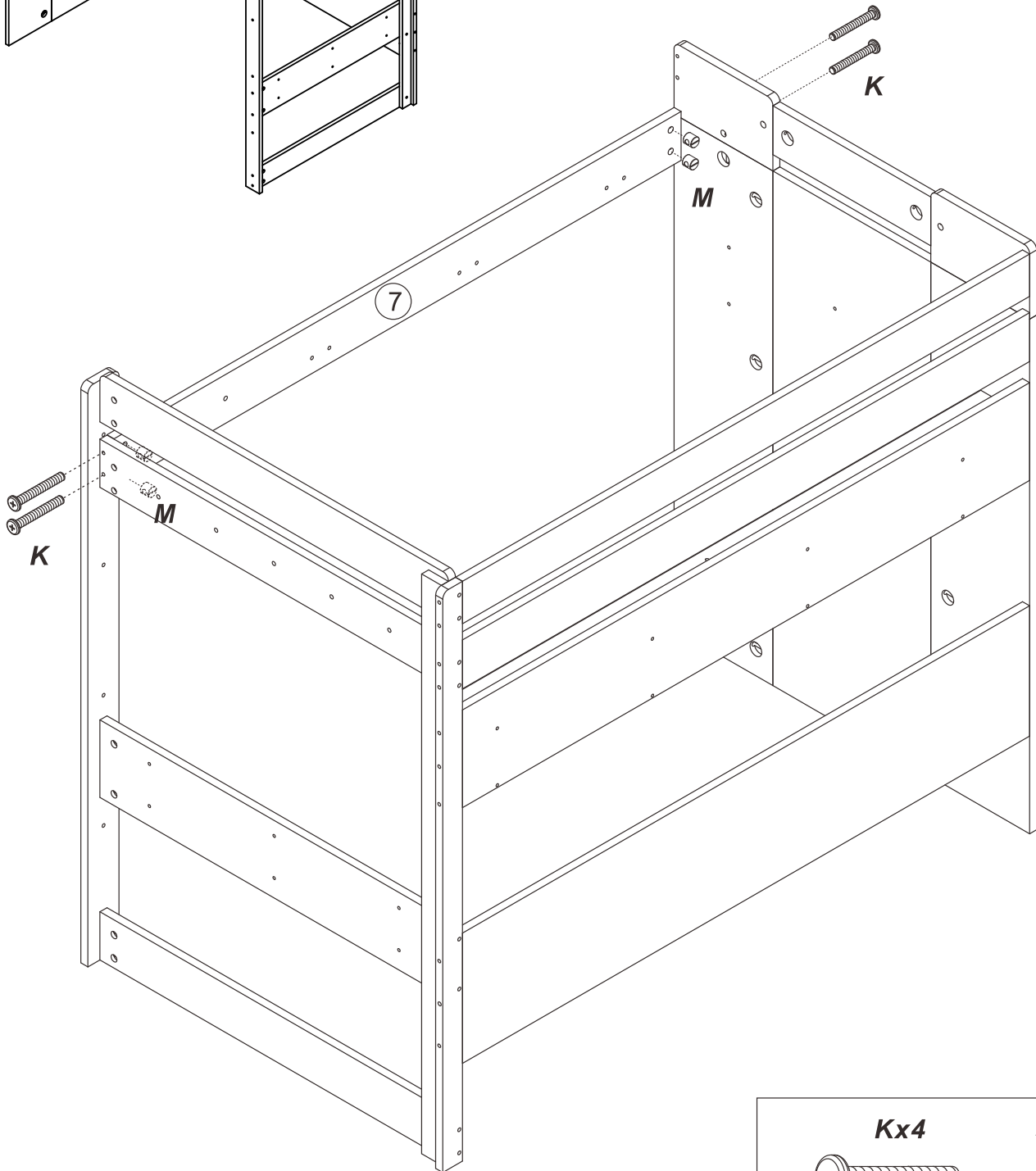
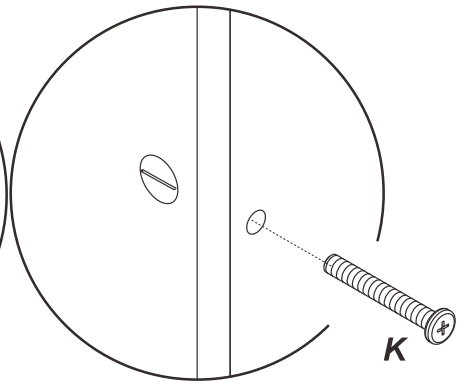
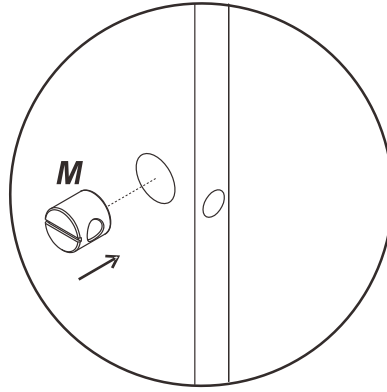
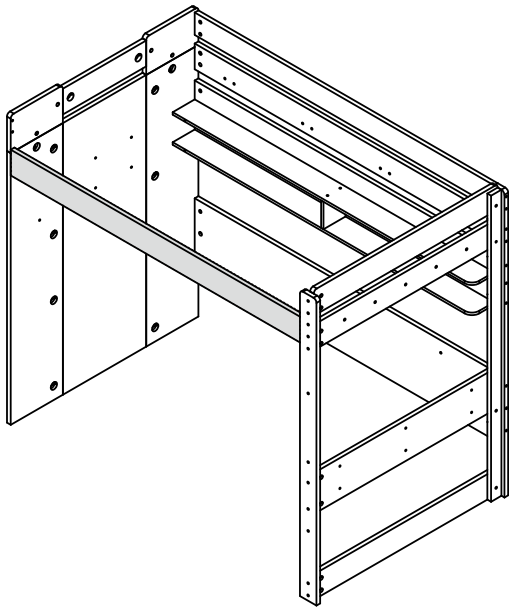


M8*55

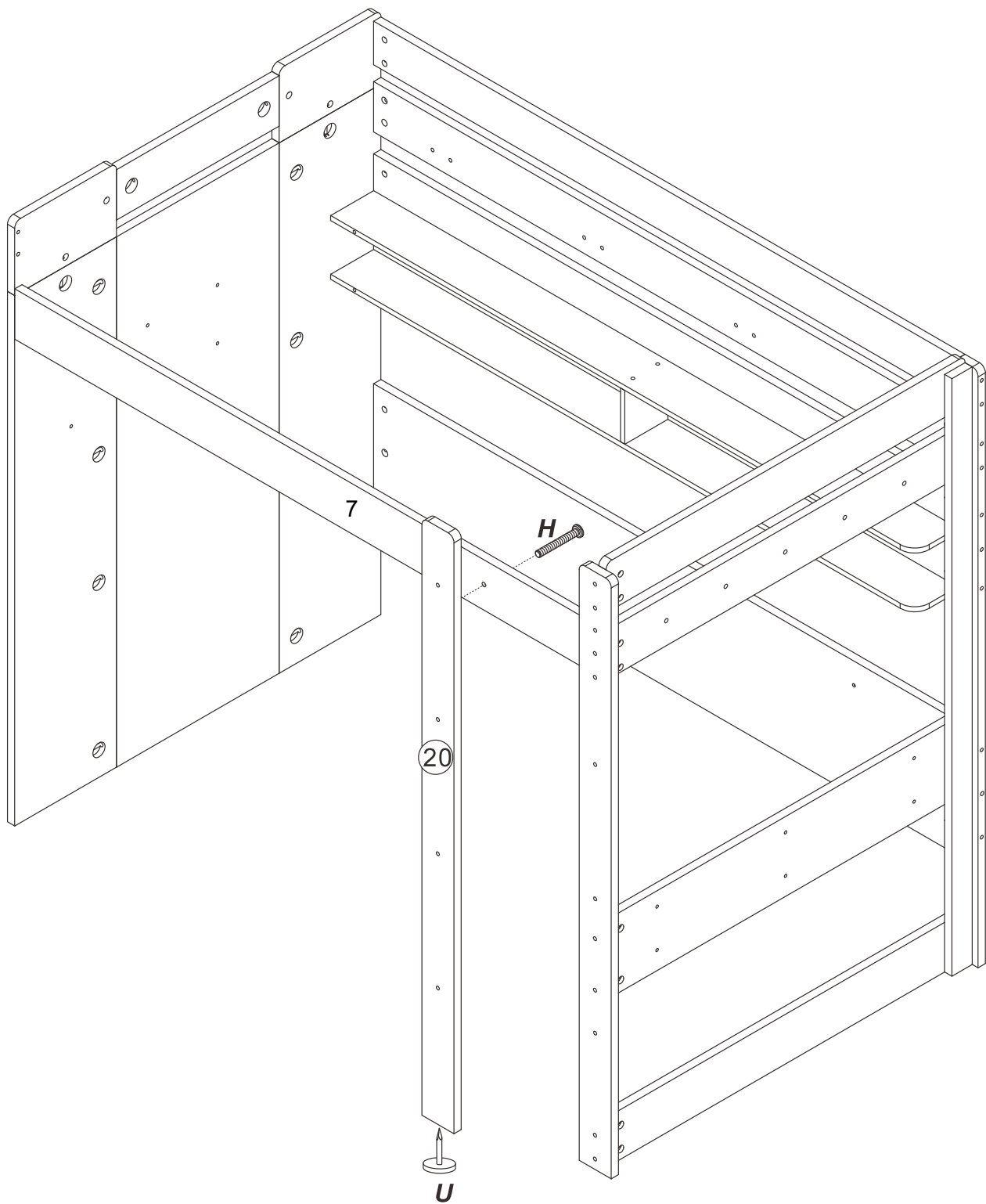
M8*90

M8*15

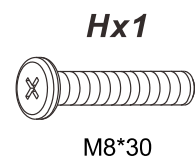
12.



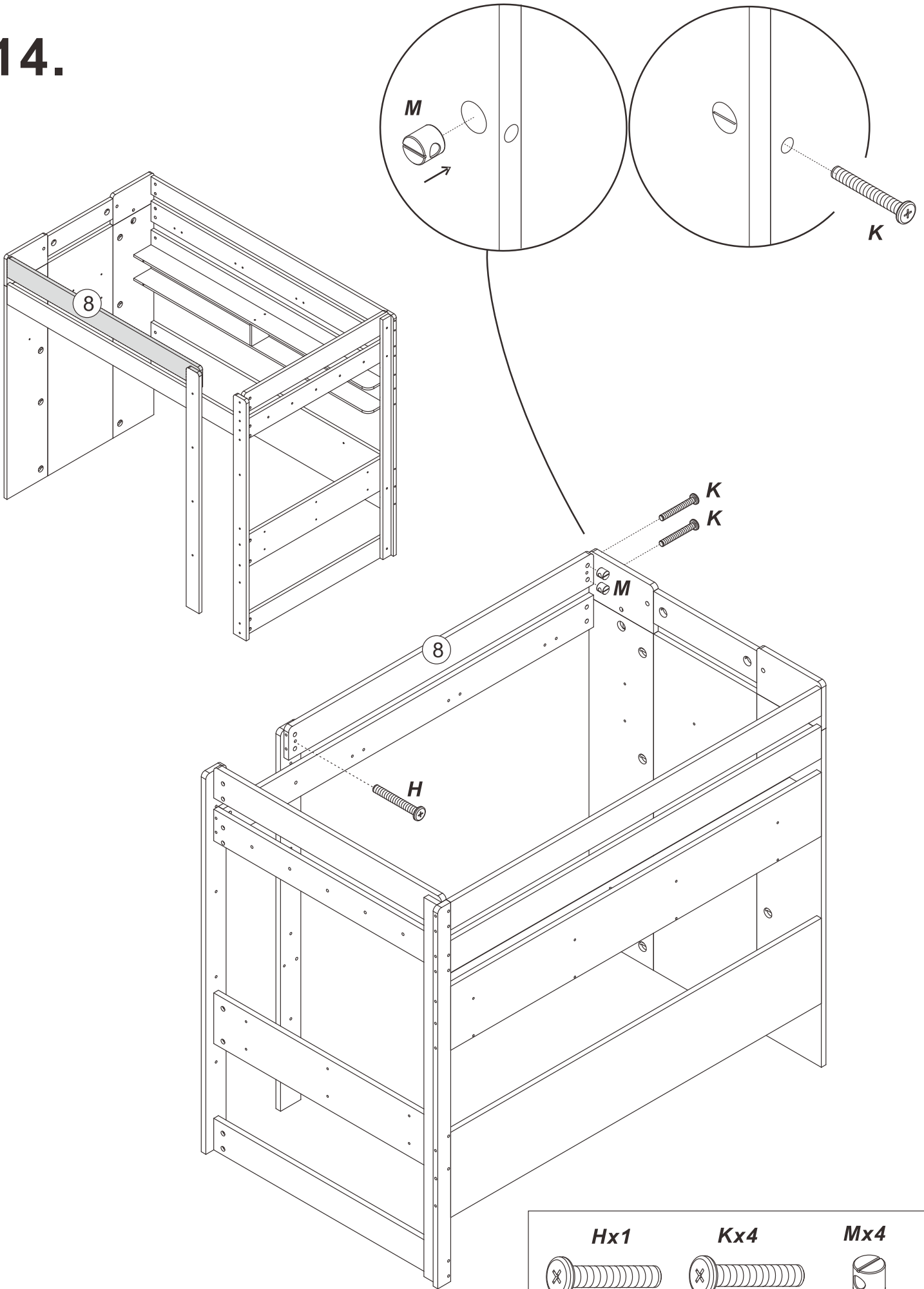
13.

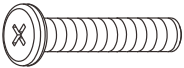
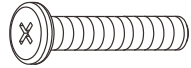



Note: on panel 7, the holes are not punched through so that the ladder side can be switched as needed, please use drill bit or the provided wood screw (R) to drill through to widen the holes.

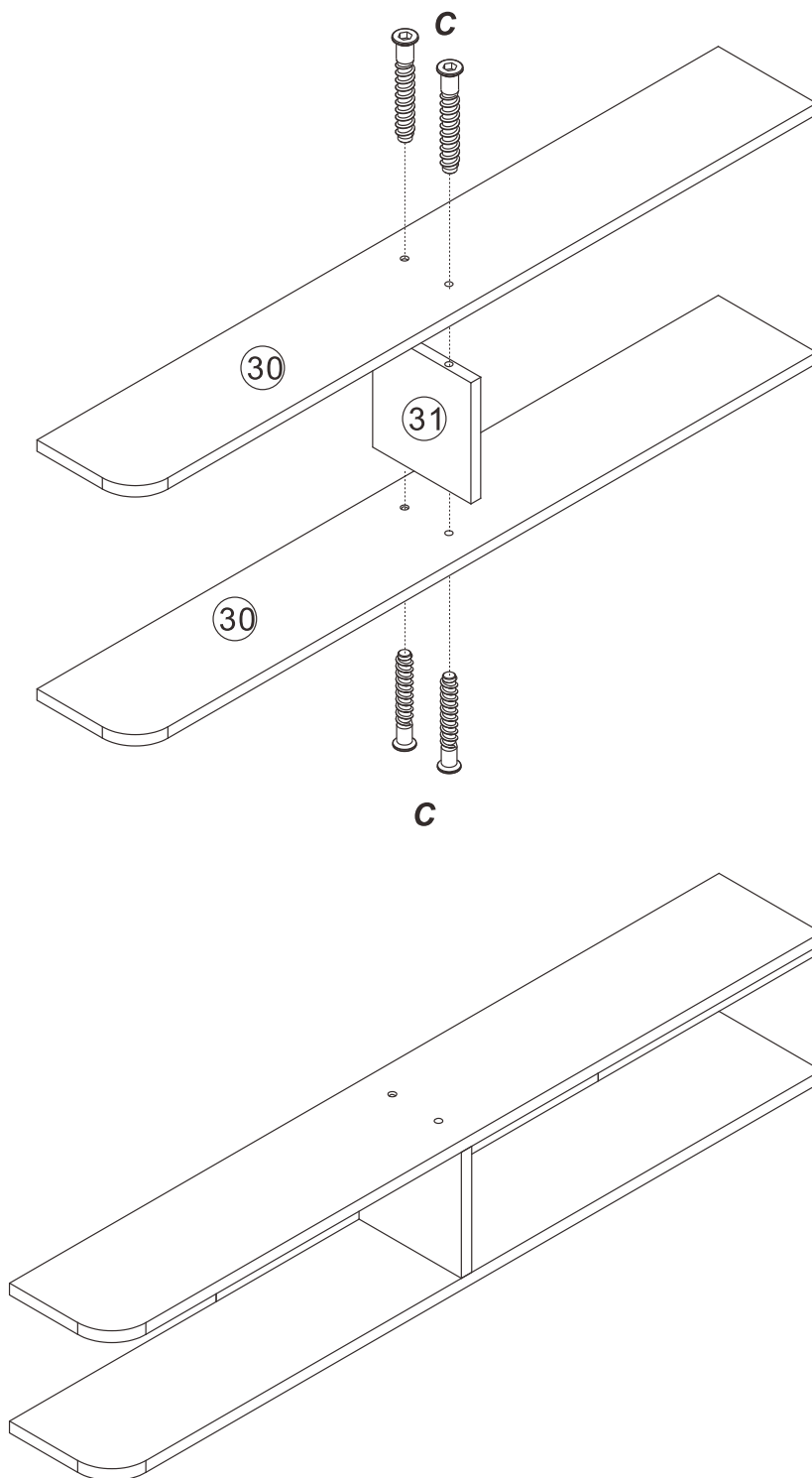


14.

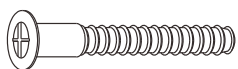


- | | | |
|--|---|---|
| Hx1 | Kx4 | Mx4 |
|  |  |  |
| M8*30 | M8*55 | M8*15 |

15.

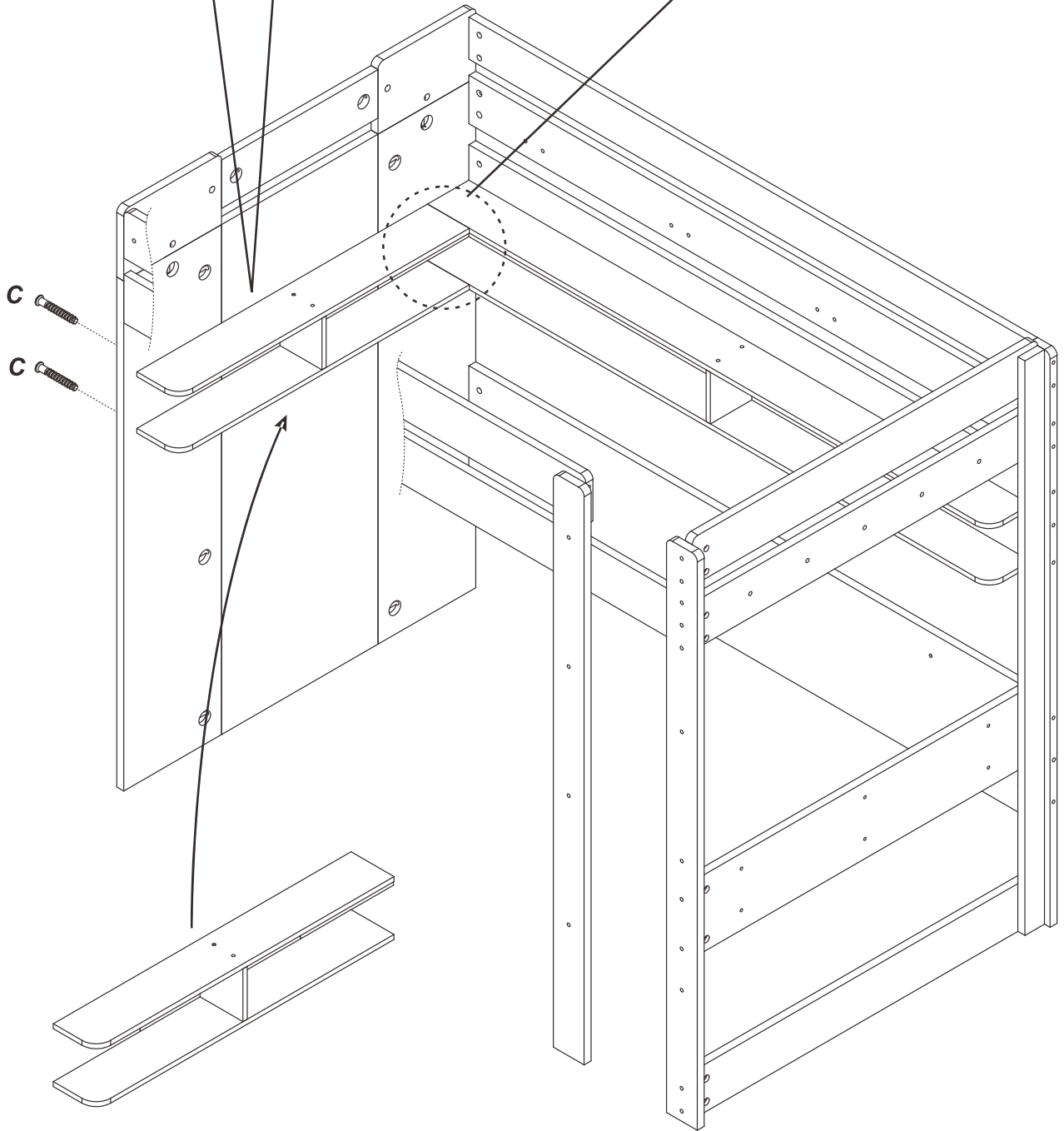
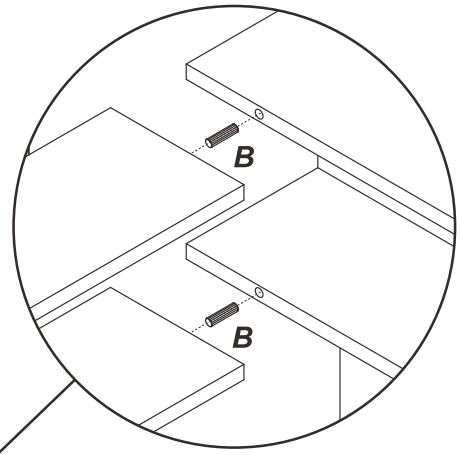
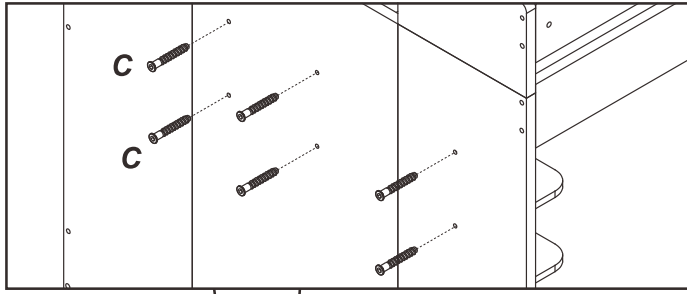


Cx4



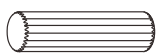
M7*38

16.



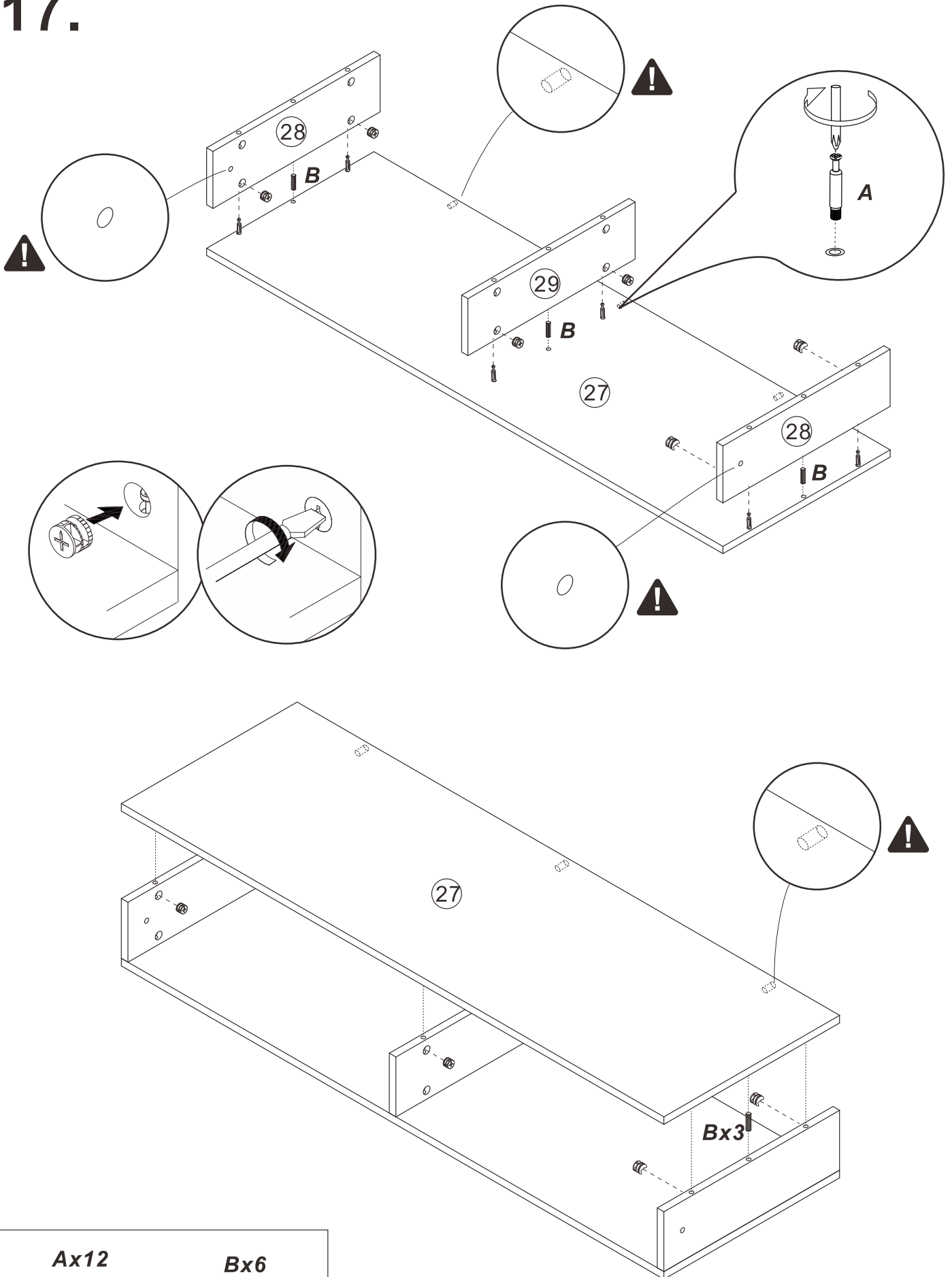
Cx4

Bx2



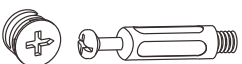
M7*38

17.

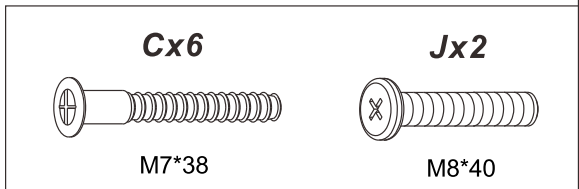
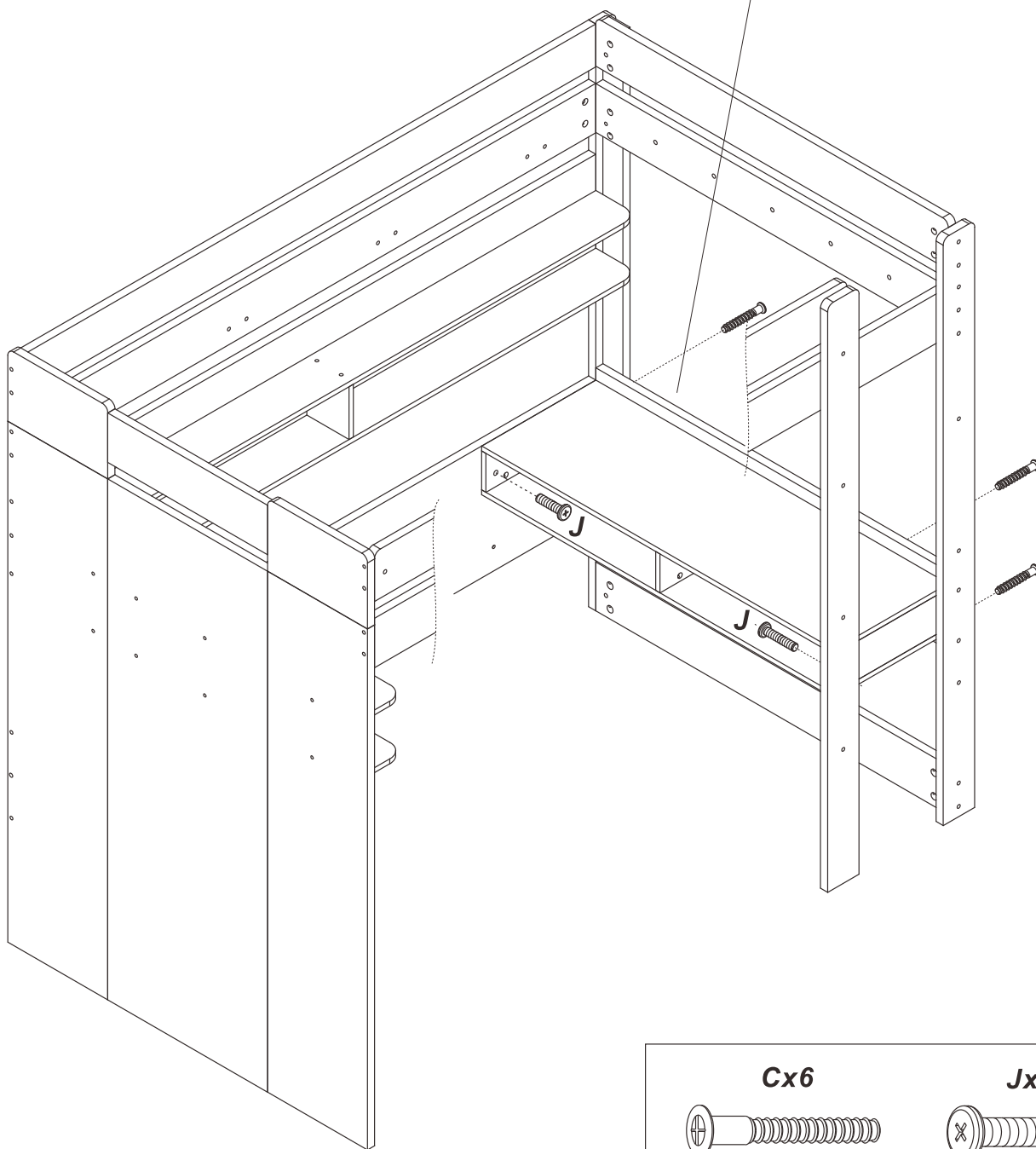
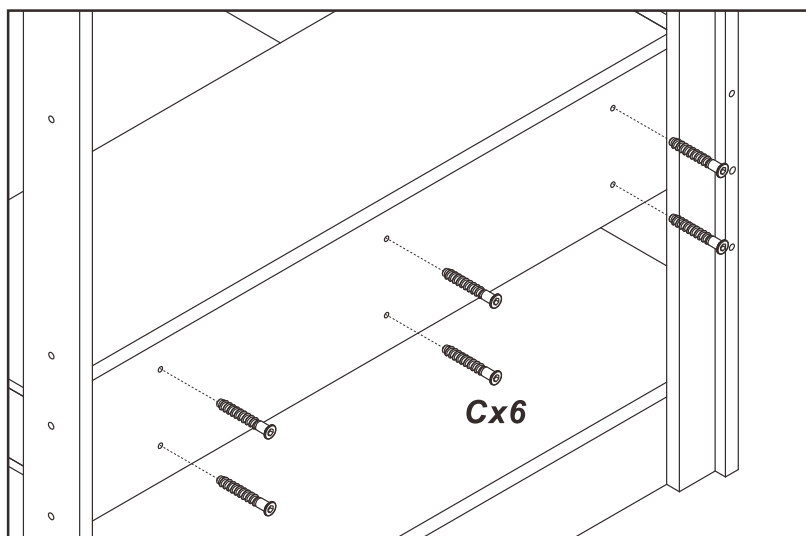


Ax12

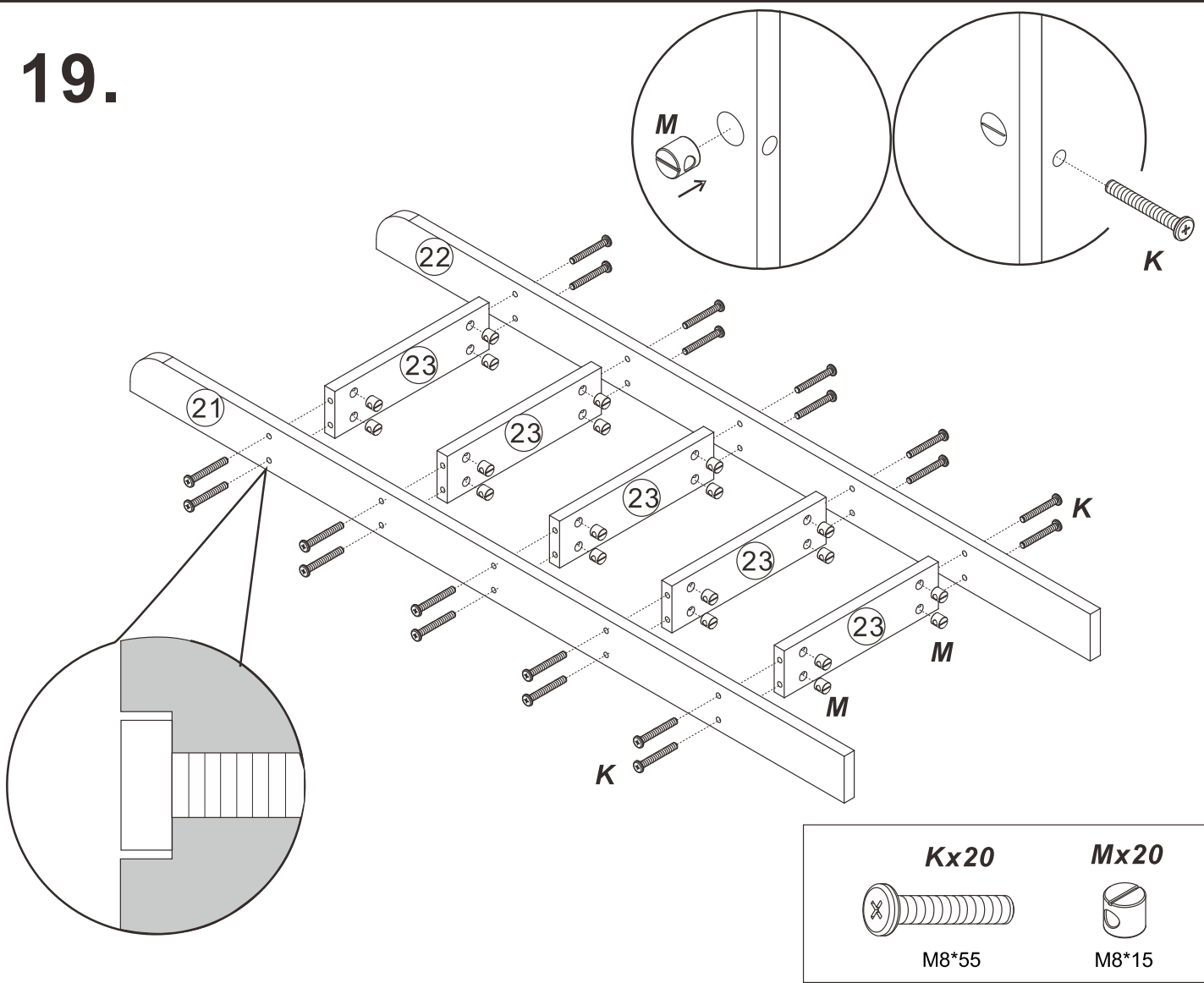
Bx6



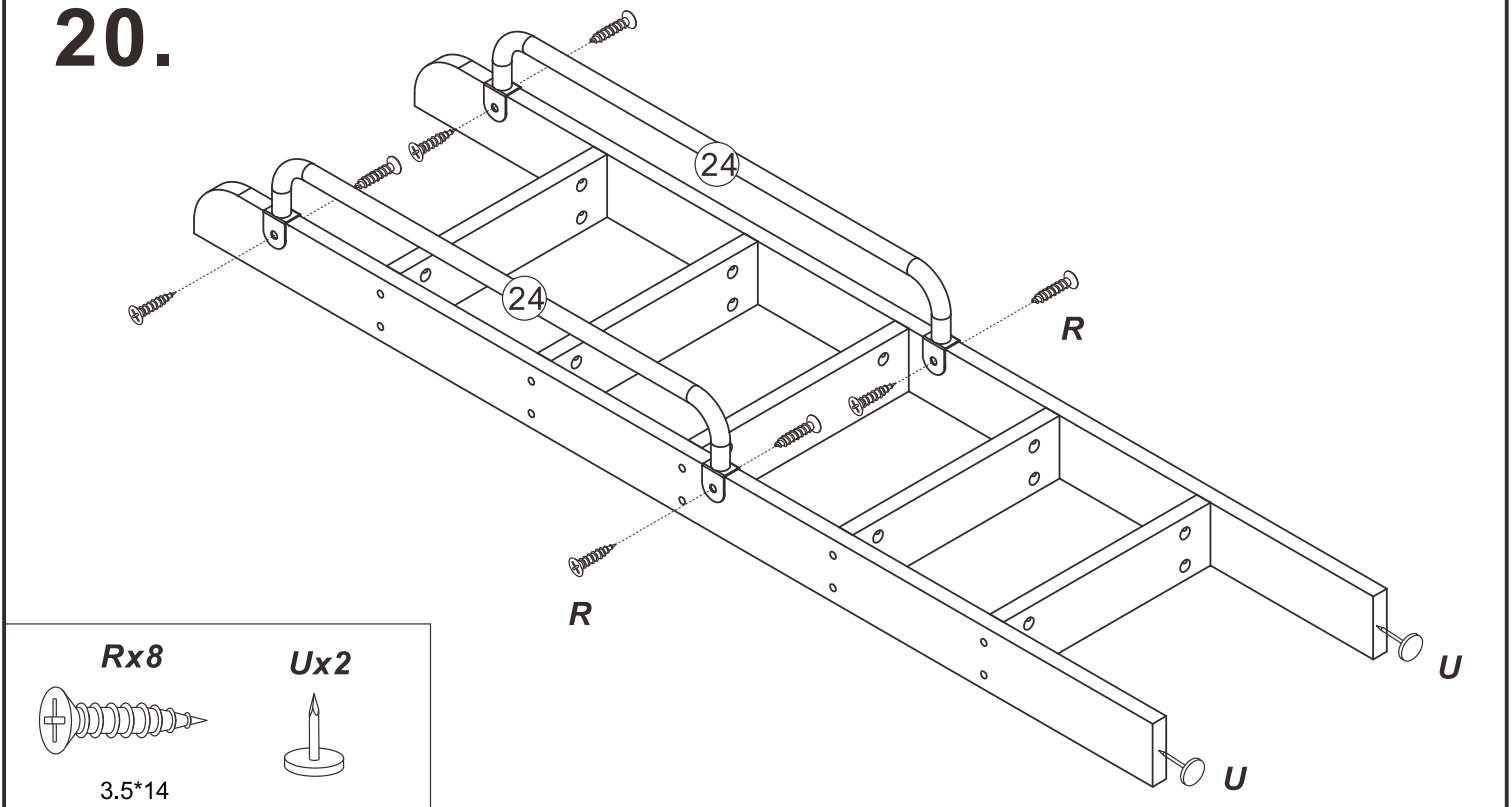
18.



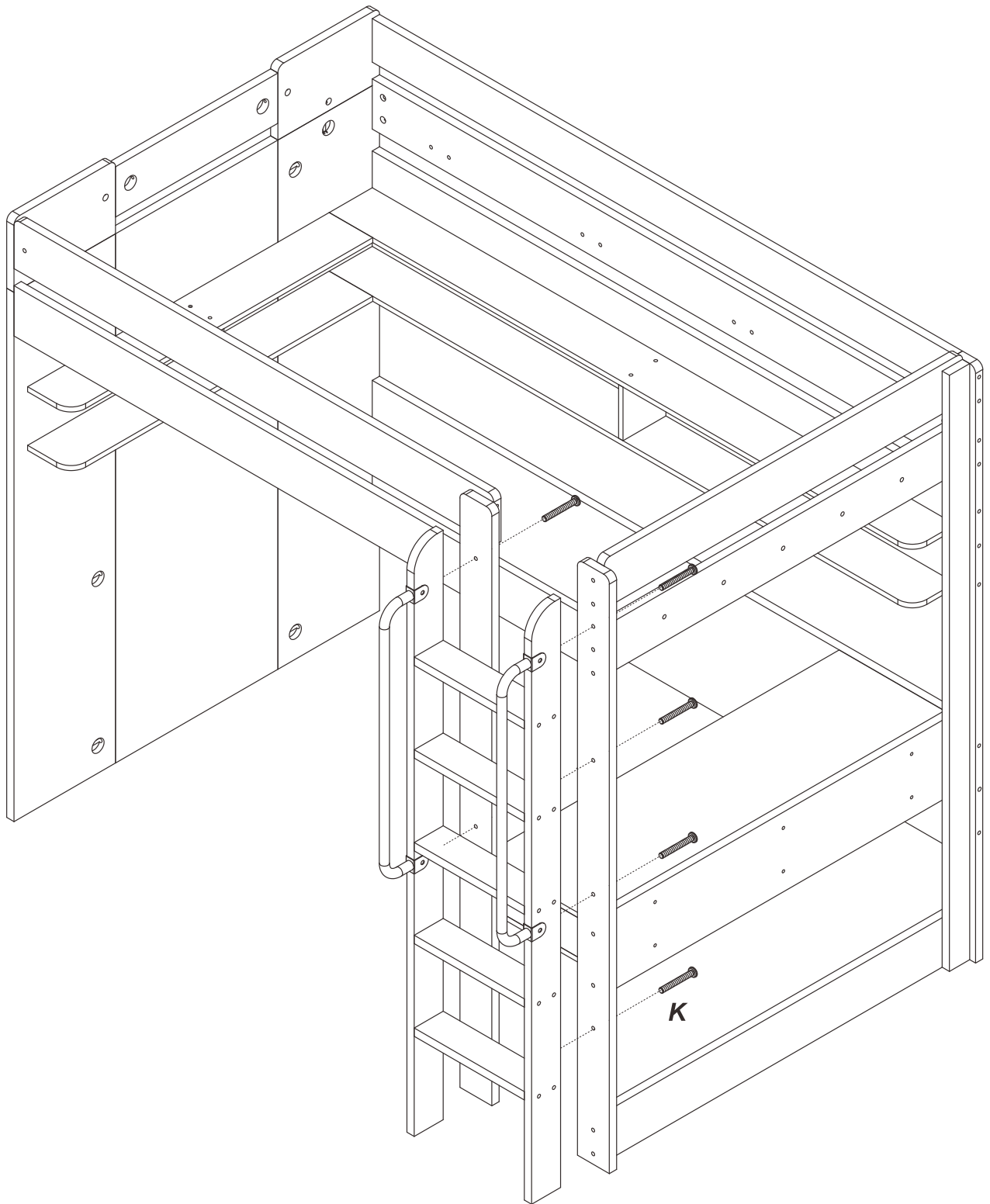
19.



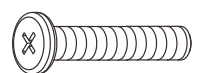
20.



21.

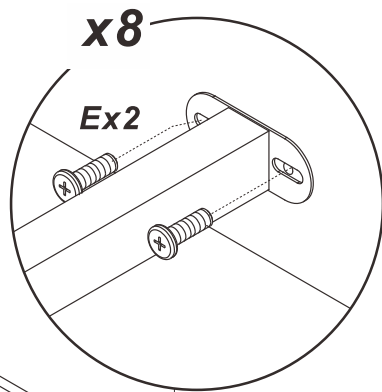
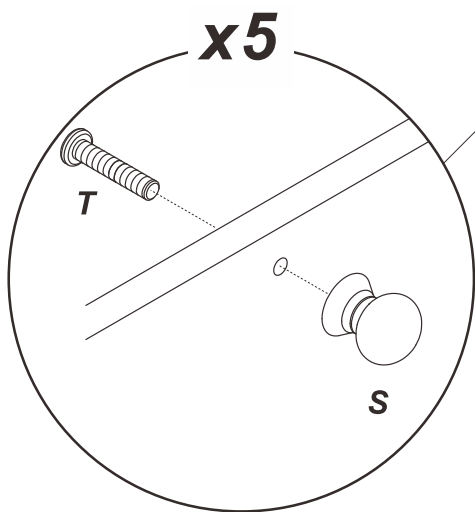
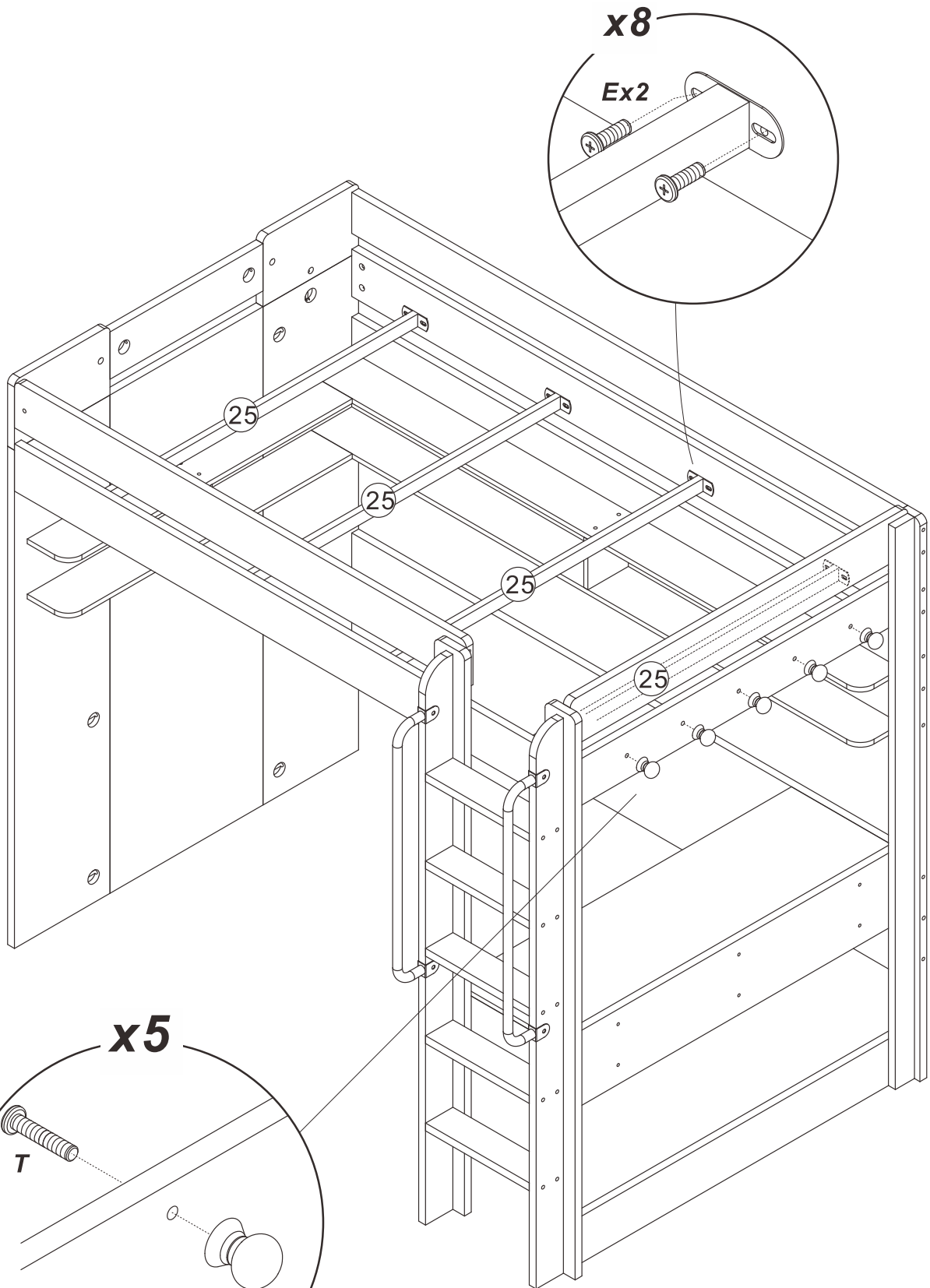





Kx8



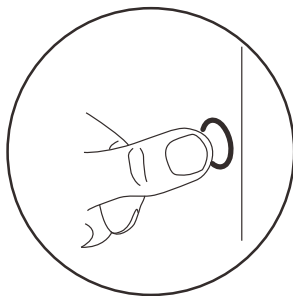
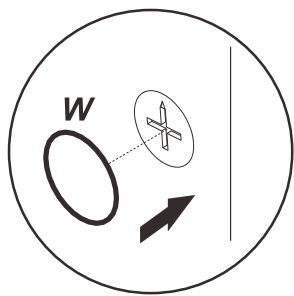
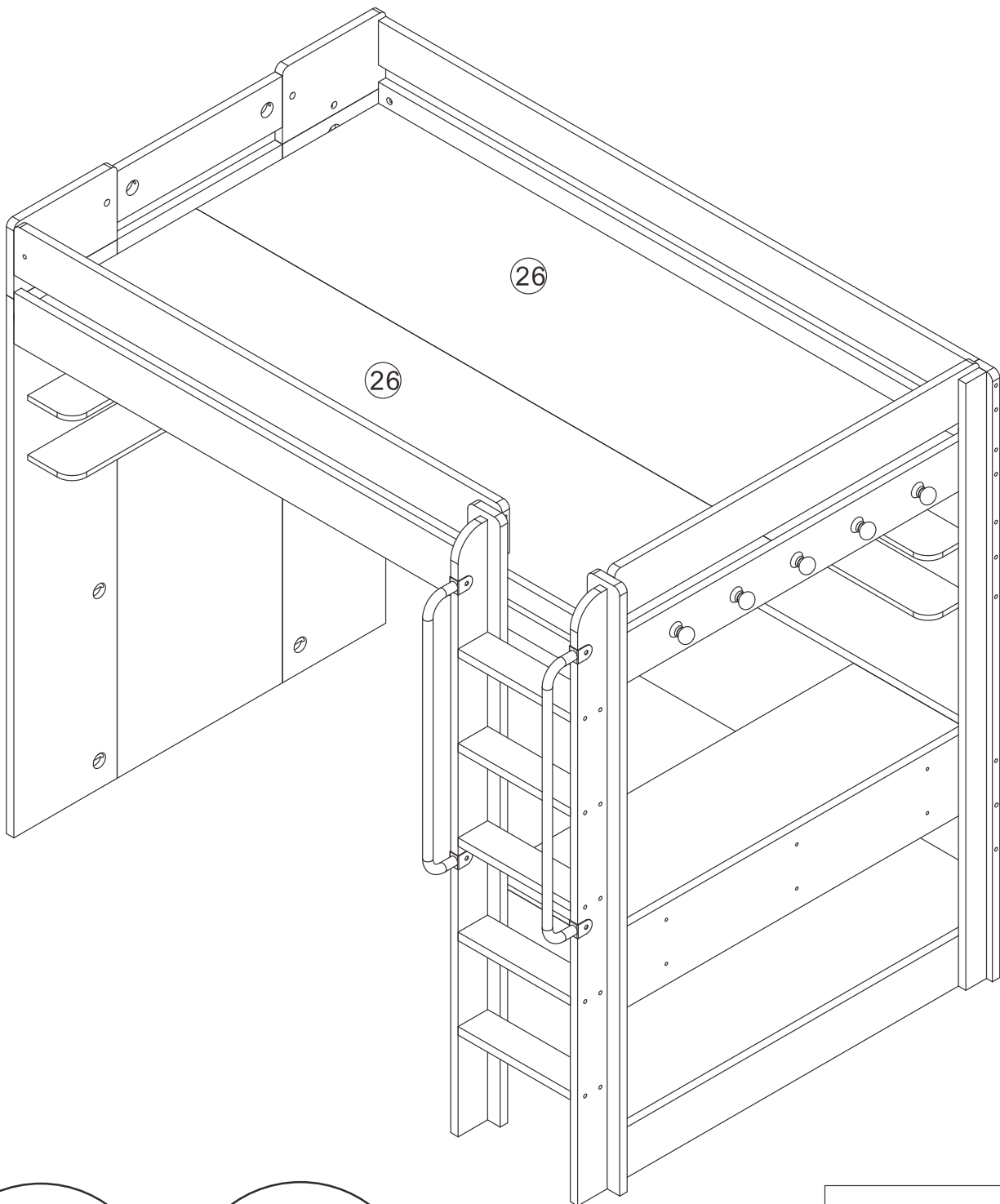
M8*55

22.

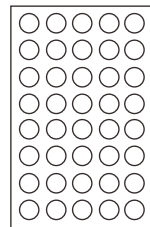


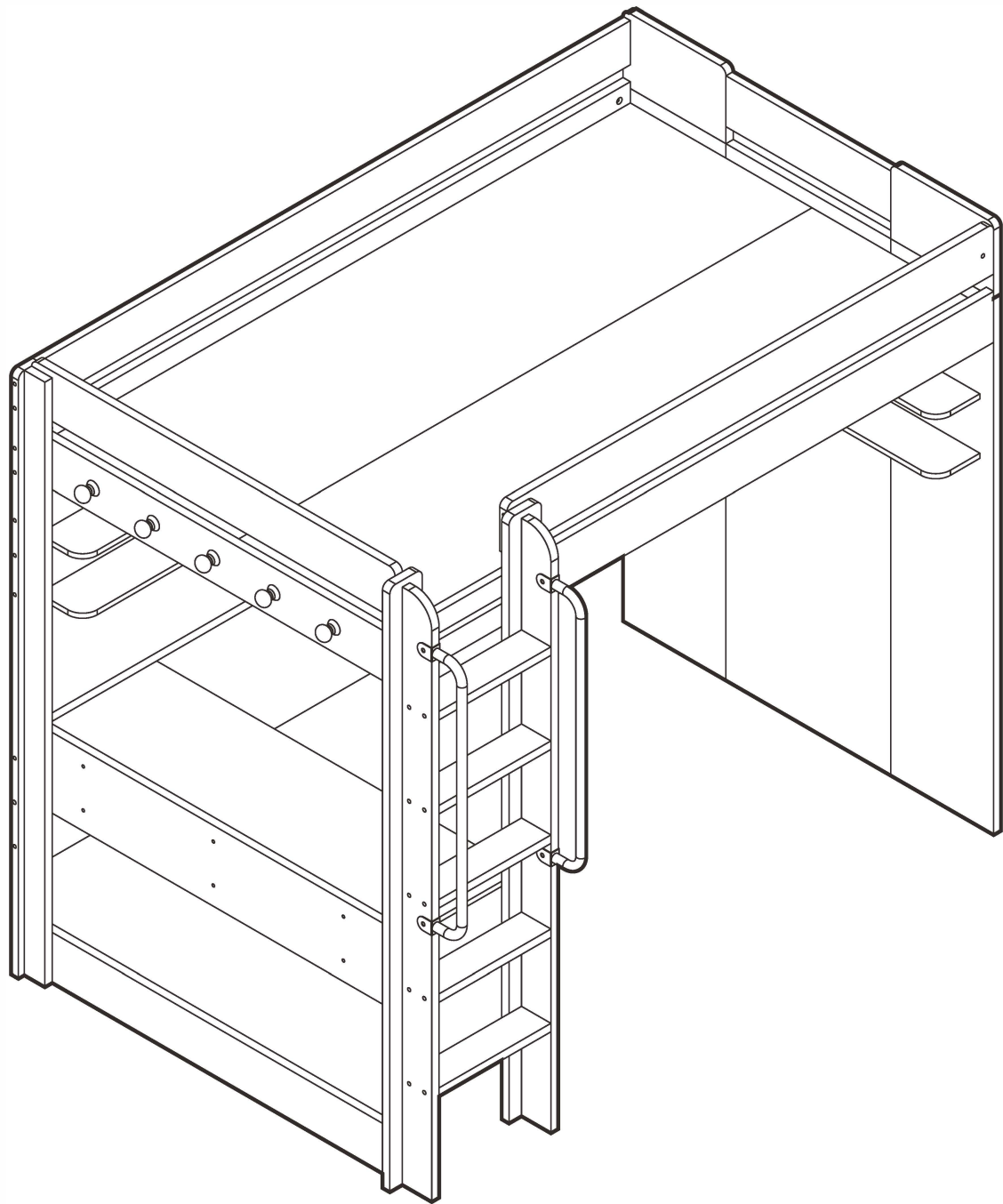
| Ex16 | Sx5 | Tx5 |
|---|---|---|
|  |  |  |
| M6*15 | | M4*28 |

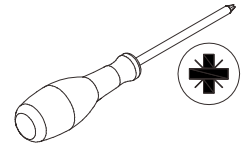
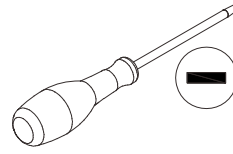
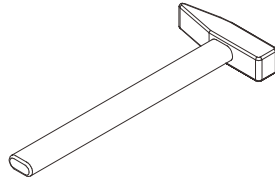
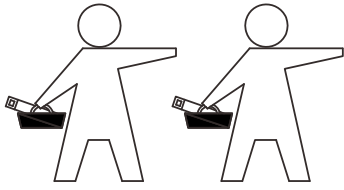
23.



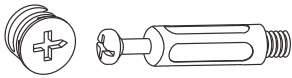
Wx100







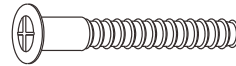
Ax12



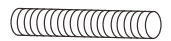
Bx24



Cx30



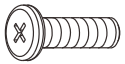
Dx12



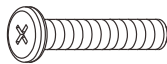
M7*38

M8*80

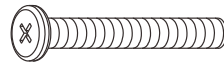
Ex16



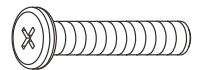
Fx3



Gx3



Hx2



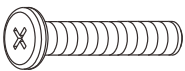
M6x15

M6x50

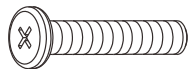
M6x90

M8x30

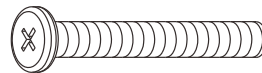
Jx14



Kx49



Lx7



Mx60



Nx6



M8*40

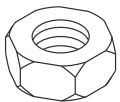
M8*55

M8*90

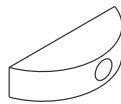
M8*15

M6*12

Ox12



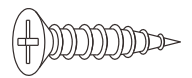
Px12



Qx12



Rx8



M8

3.5*14

Sx5



Tx5



M4*28

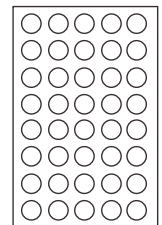
Ux10

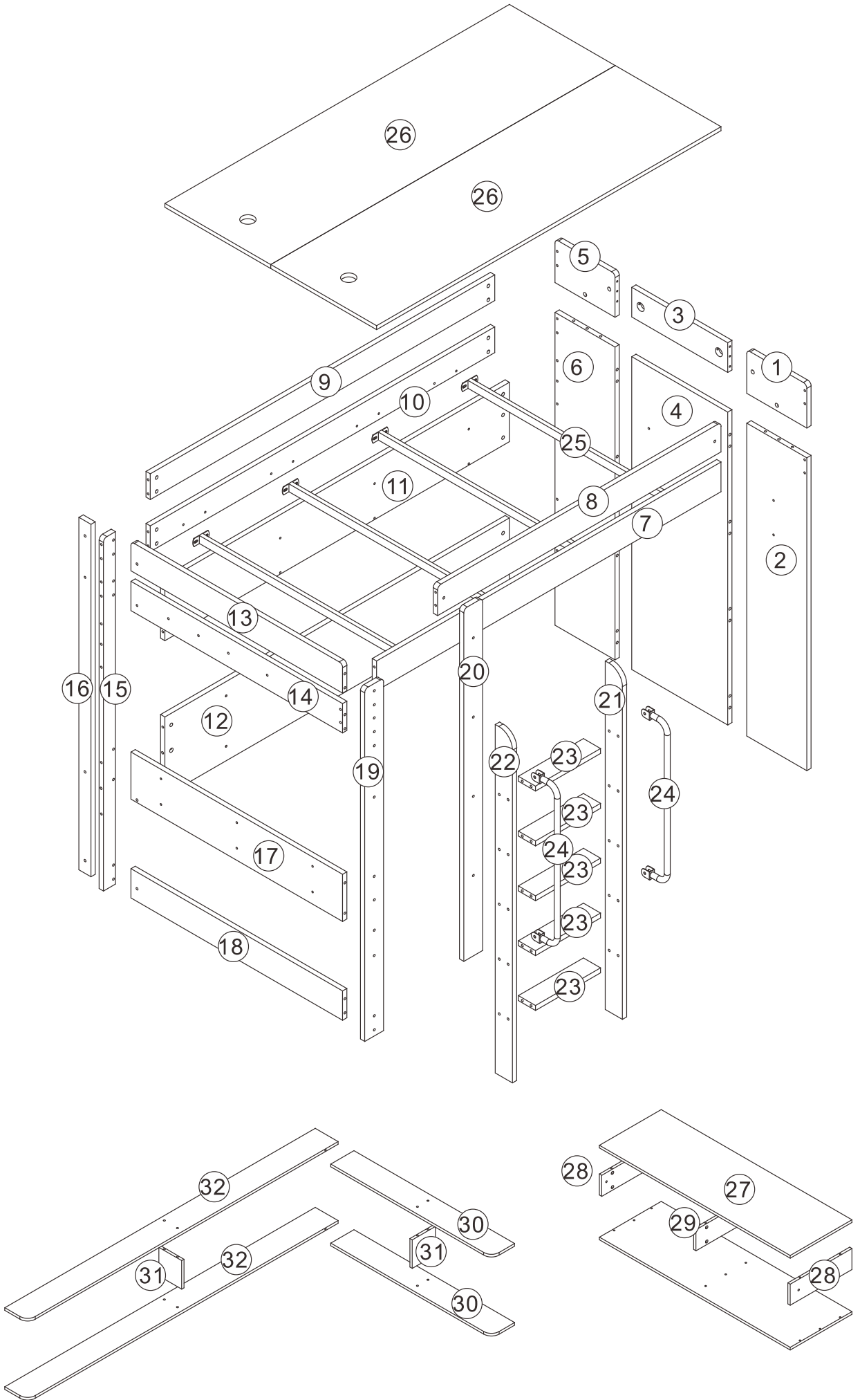


Vx1

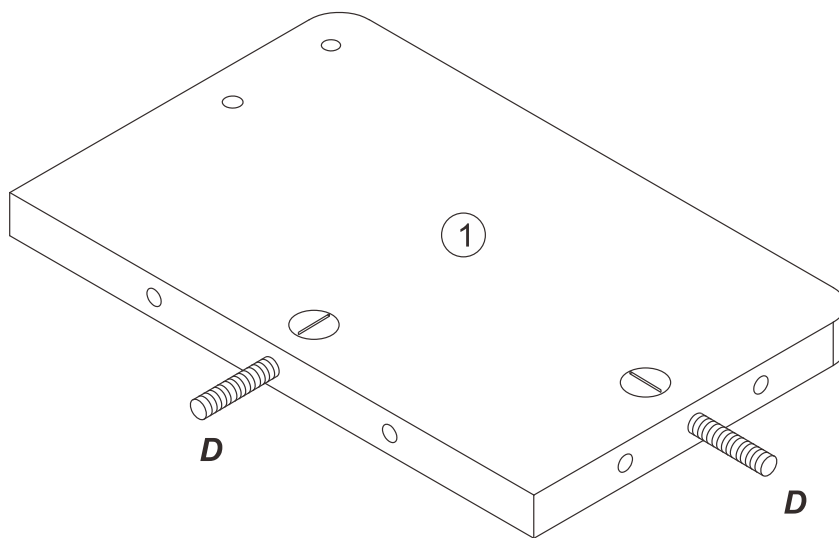
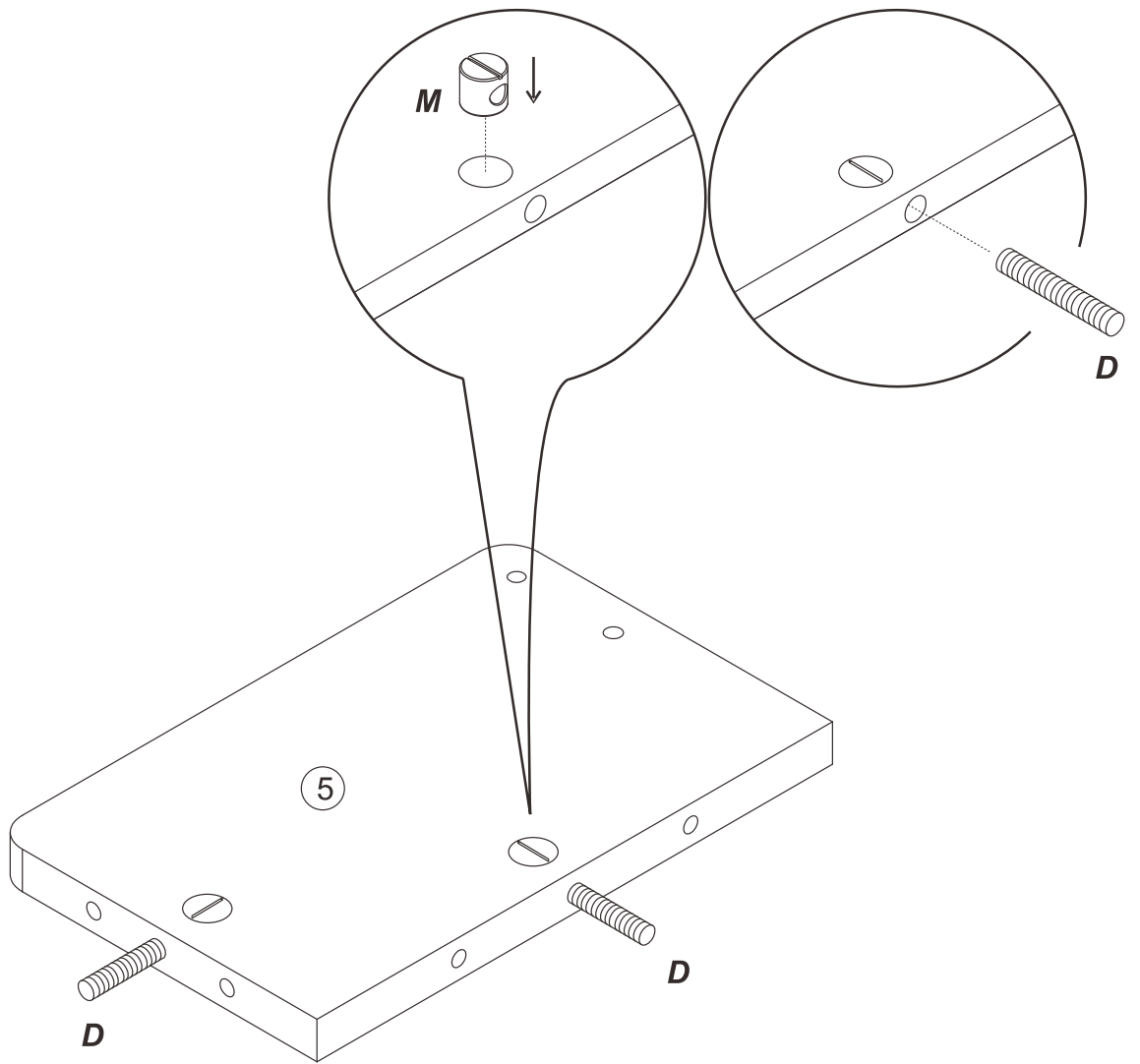




Wx100



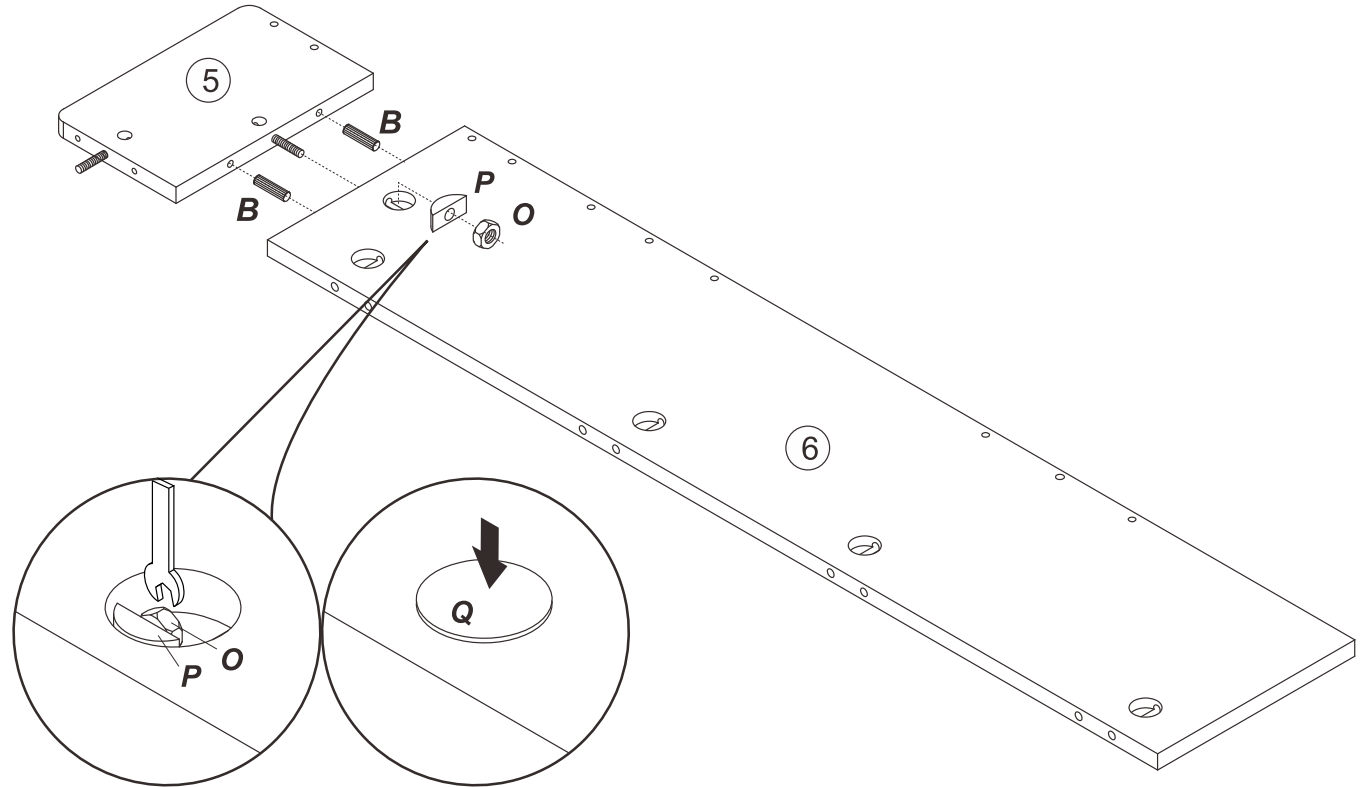
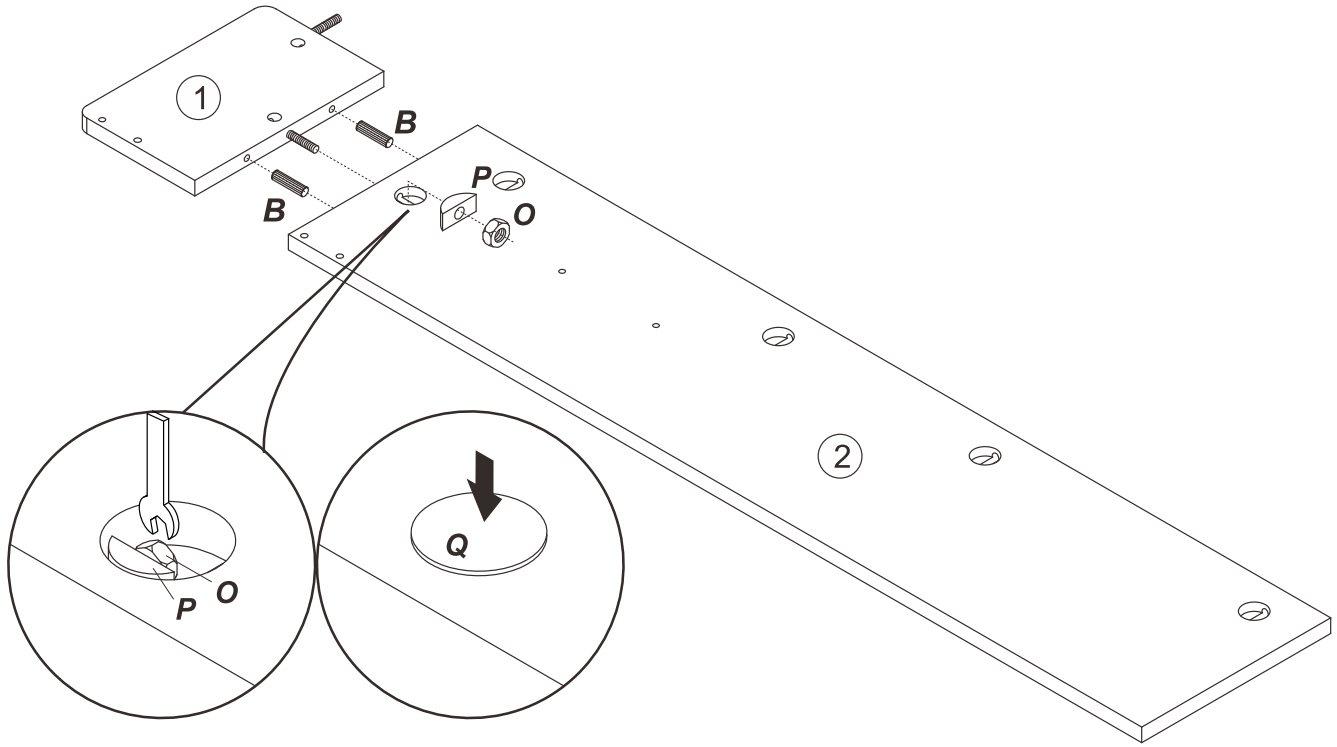





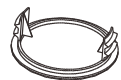
1.



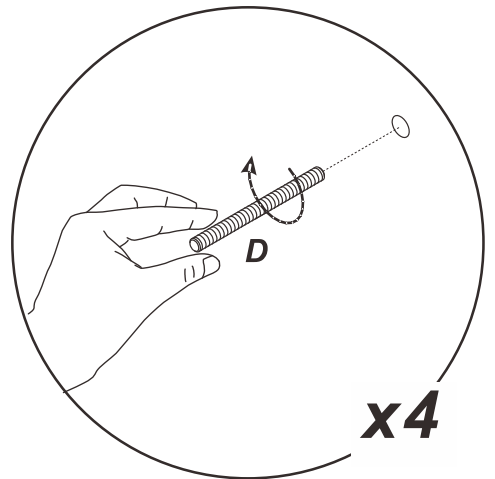
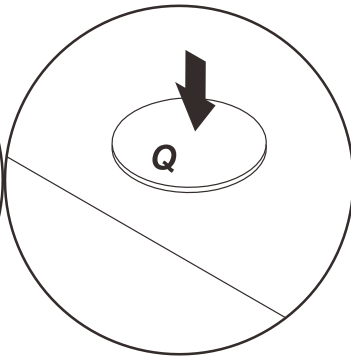
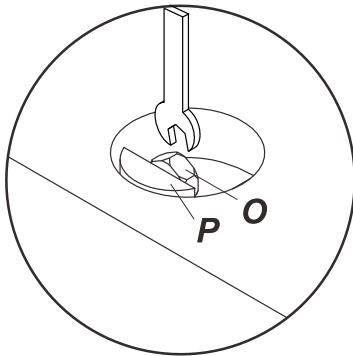
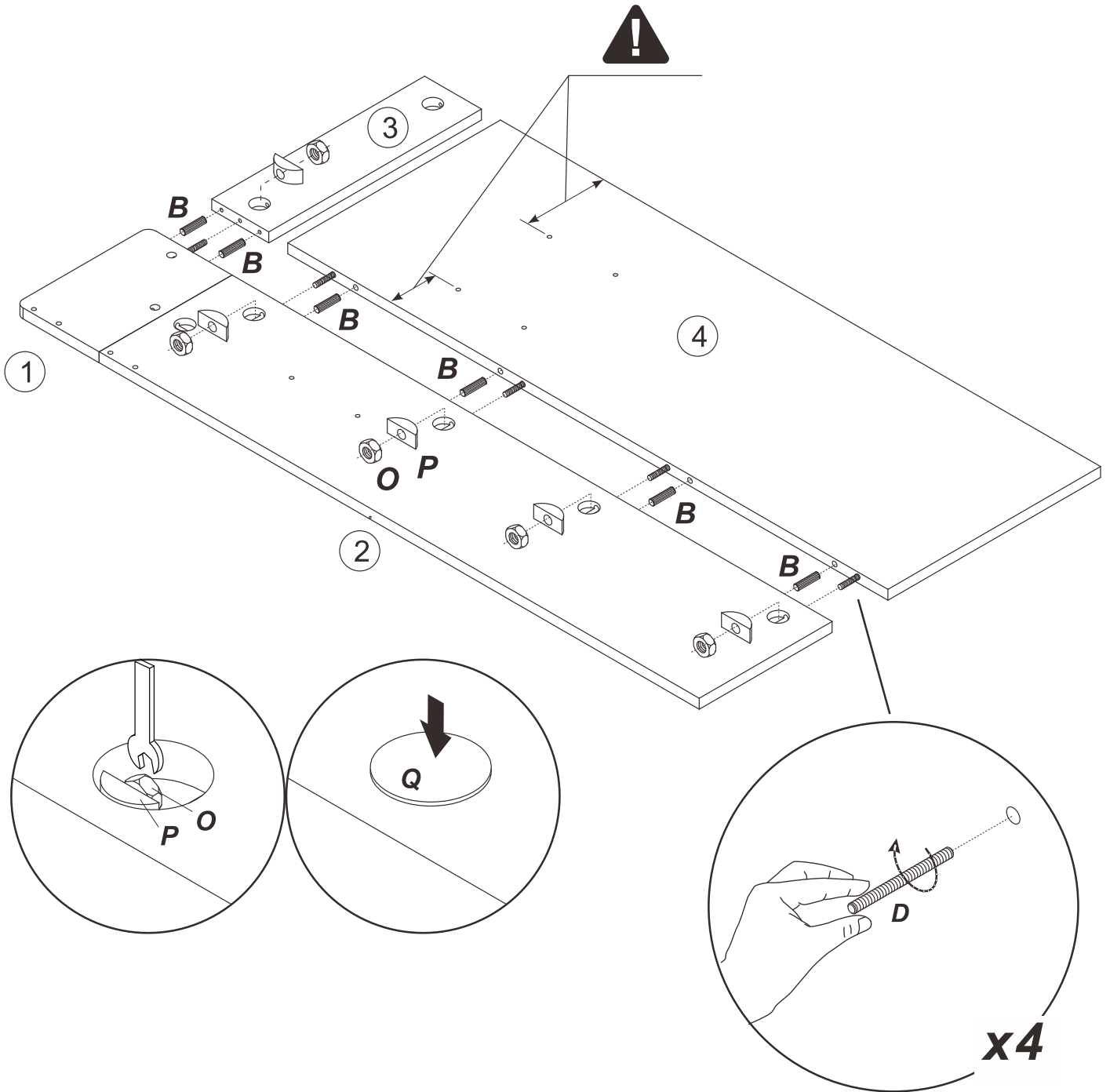
| Dx4 | Mx4 |
|---|---|
|  |  |
| M8*80 | M8*15 |





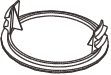
2.



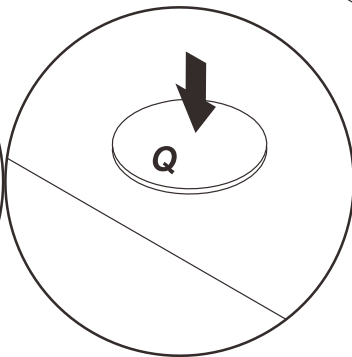
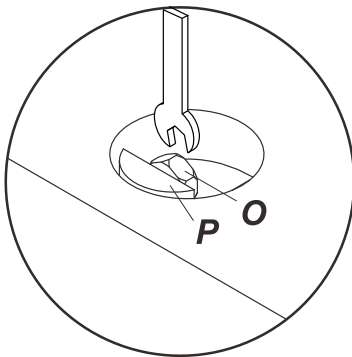
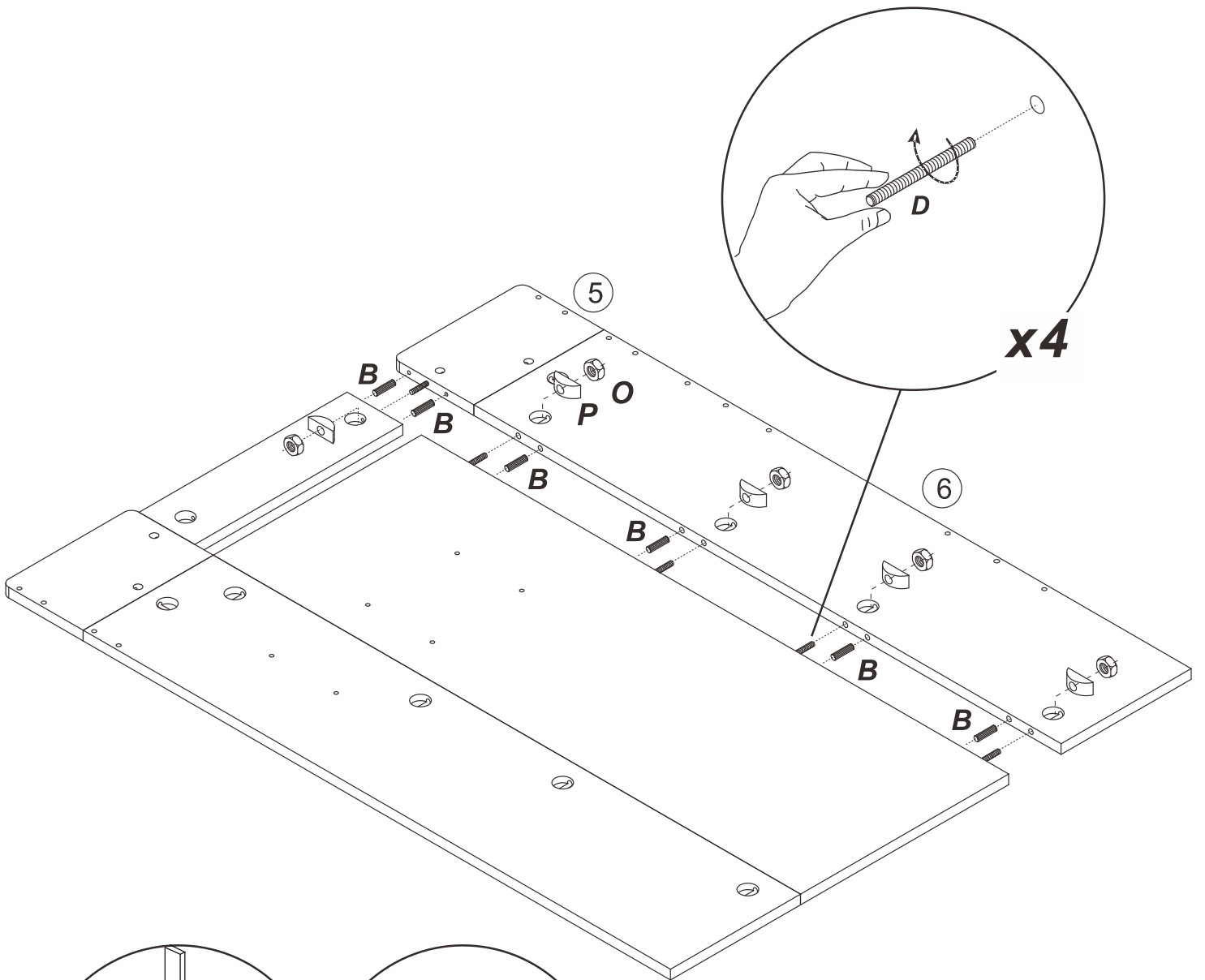
| | | | |
|---|---|---|---|
| Bx4 | Ox2 | Px2 | Qx2 |
|  |  |  |  |
| | M8 | | |






3.



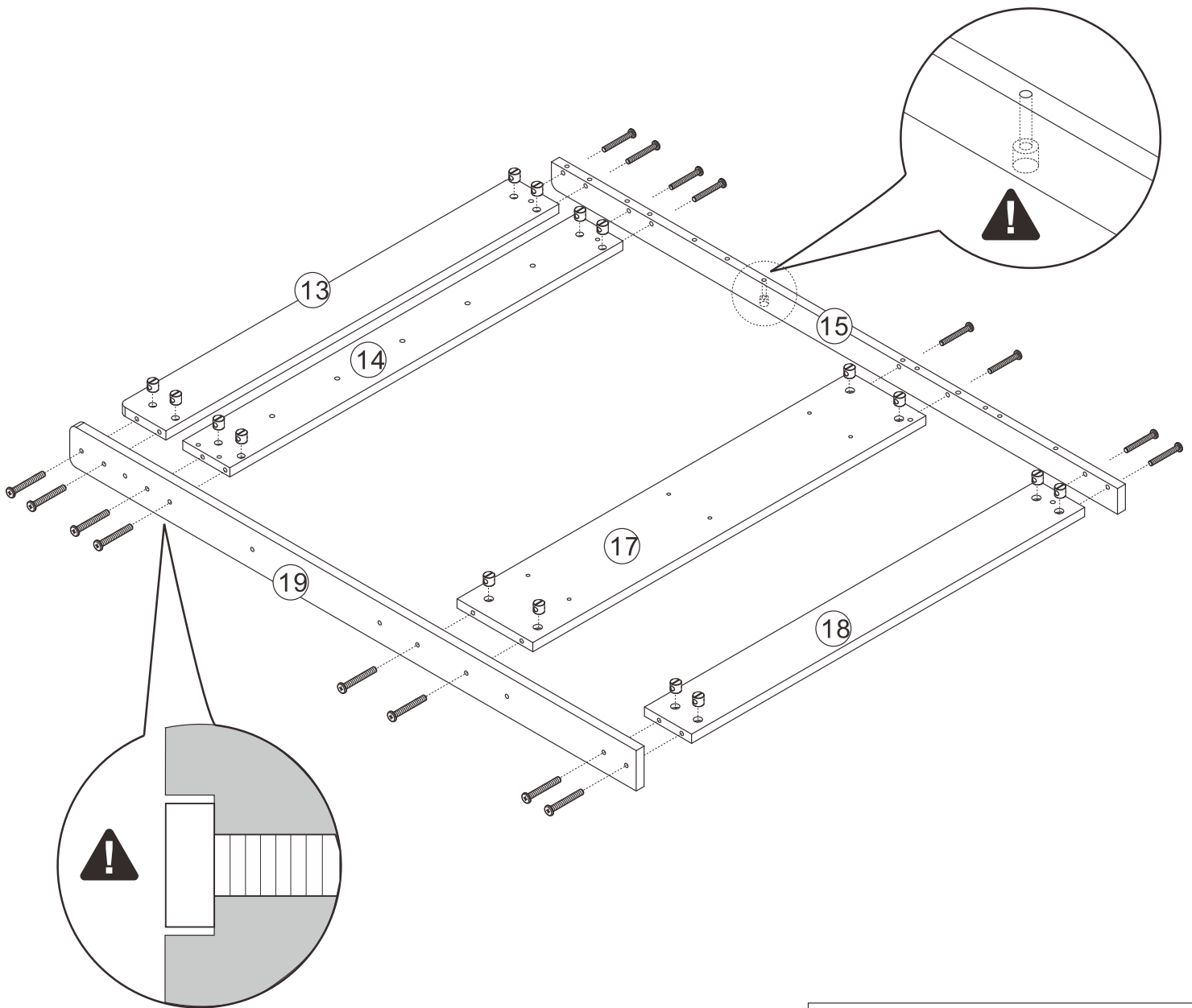
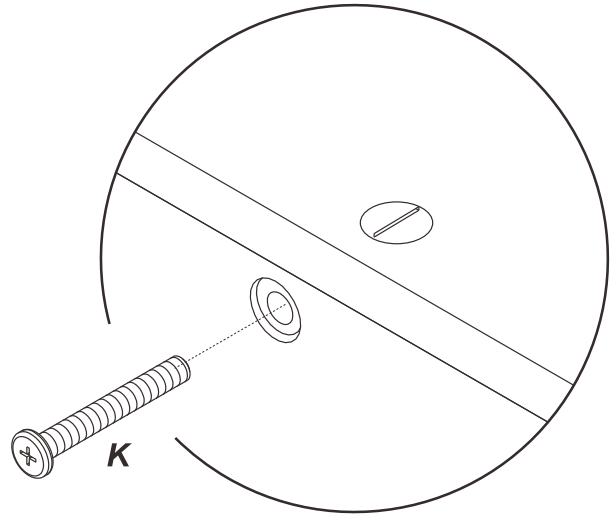
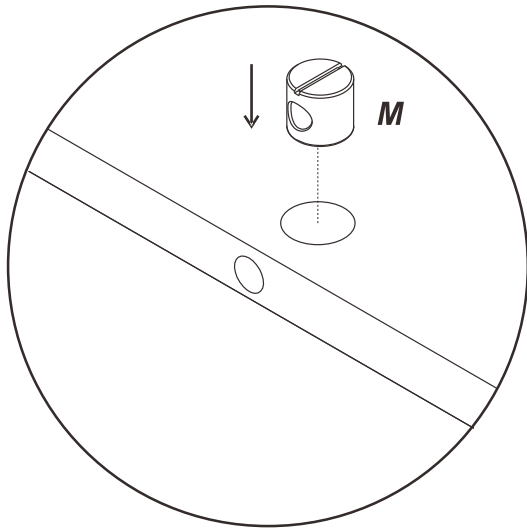
| | | | | |
|---|---|---|---|---|
| Dx4 | Bx6 | Ox5 | Px5 | Qx5 |
|  |  |  |  |  |
| M8*80 | | M8 | | |

4.

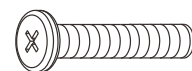


| Dx4 | Bx6 | Ox5 | Px5 | Qx5 |
|---|---|---|---|---|
|  |  |  |  |  |
| M8*80 | | M8 | | |

5.



Kx16



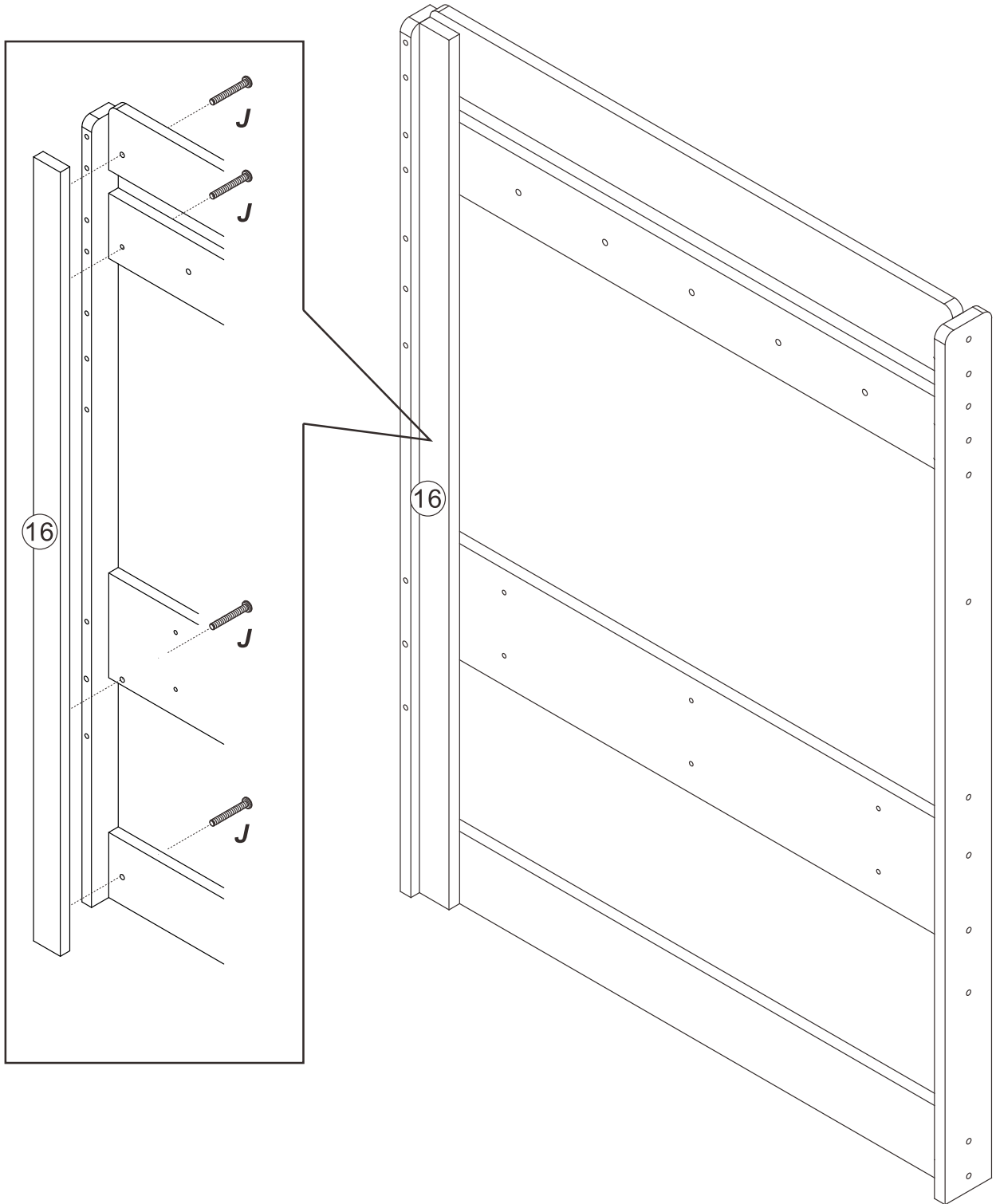
M8*55

Mx16

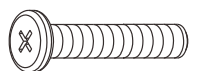


M8*15

6.

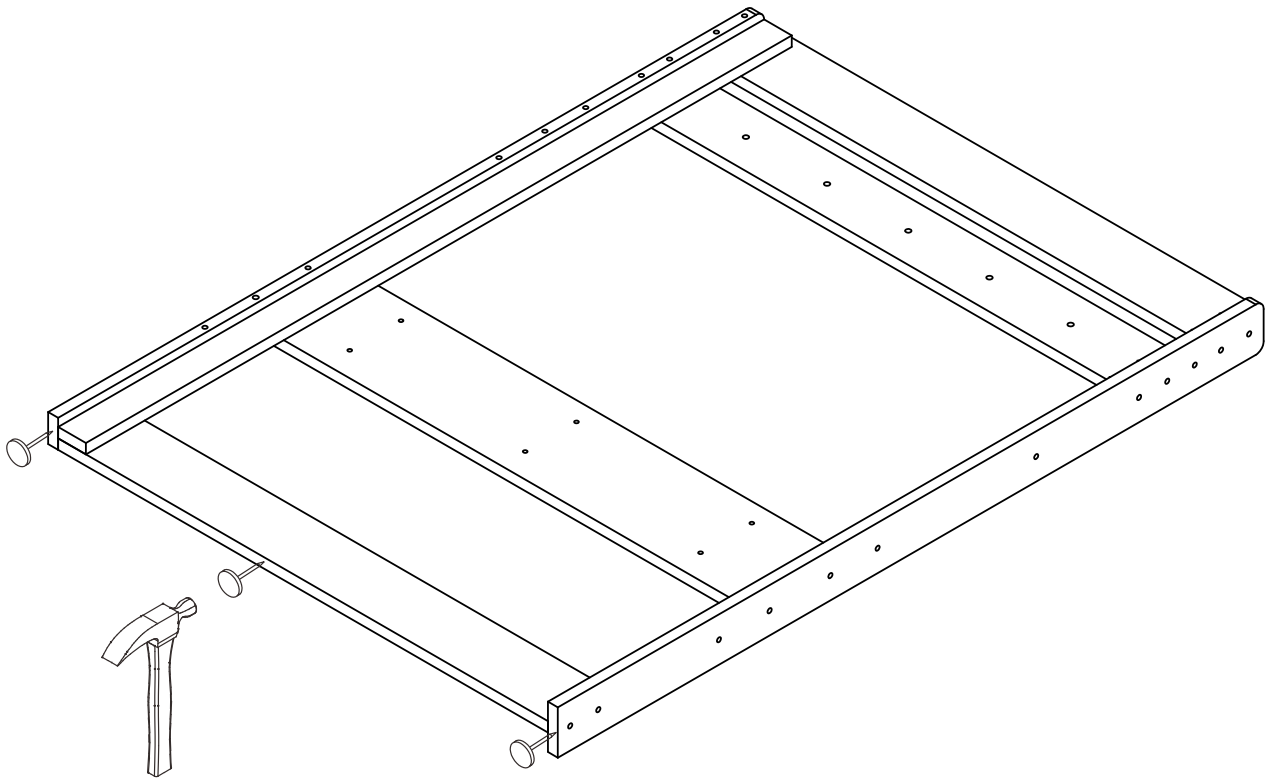
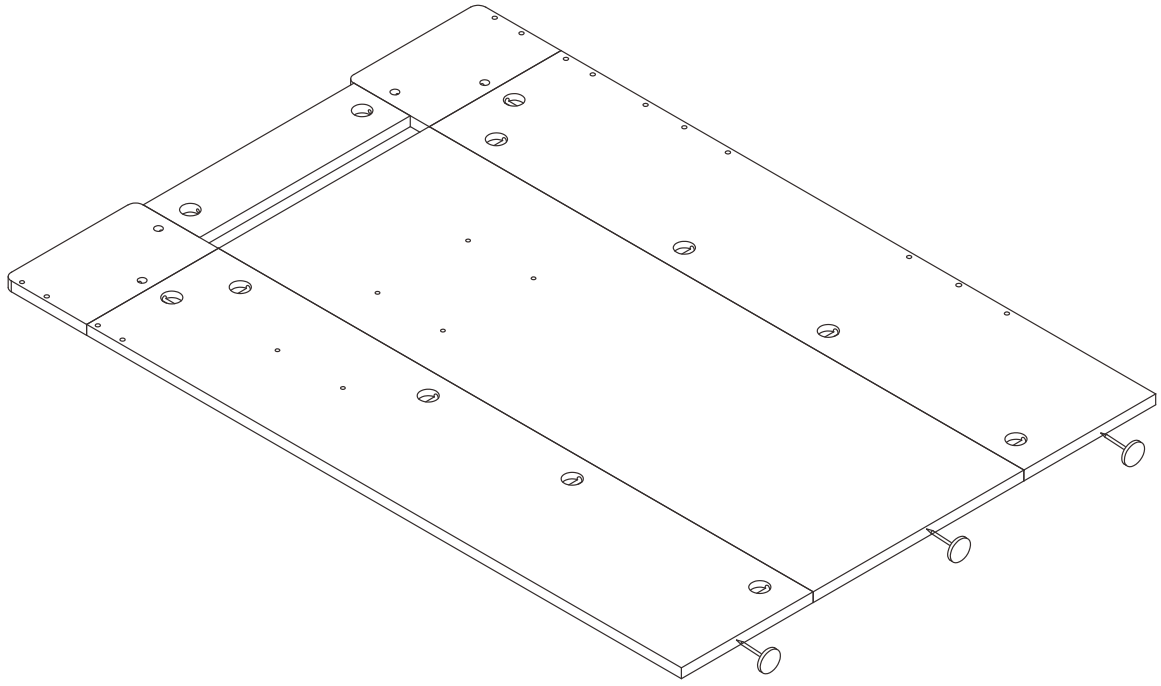


Jx4



M8*40

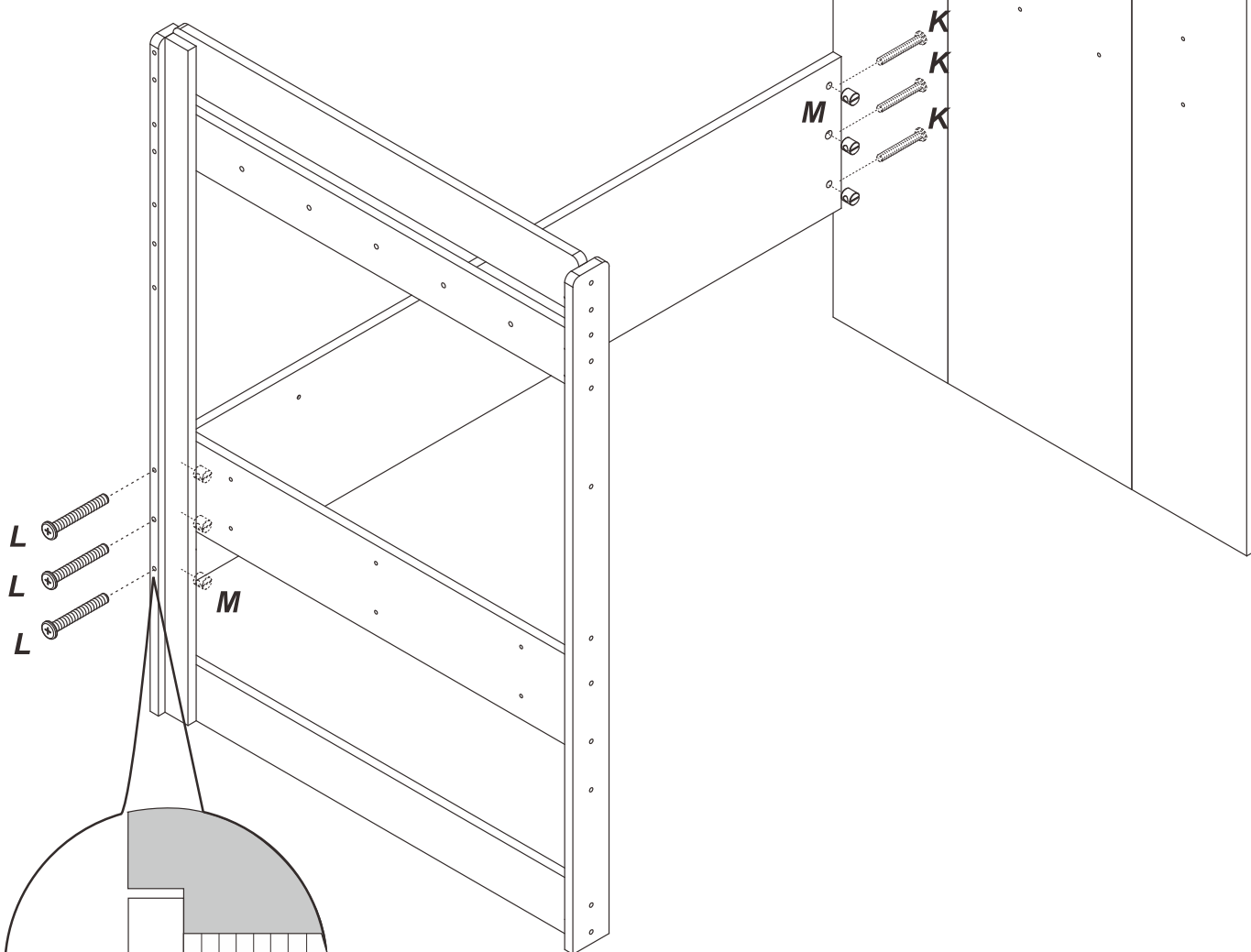
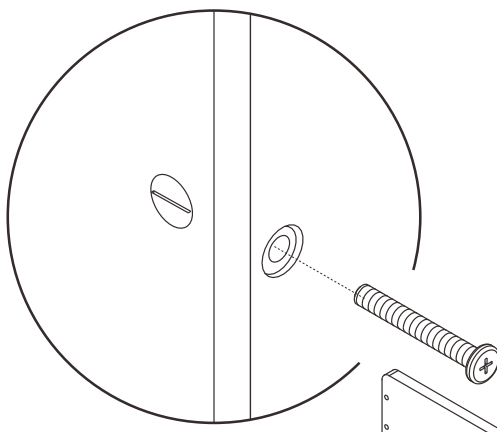
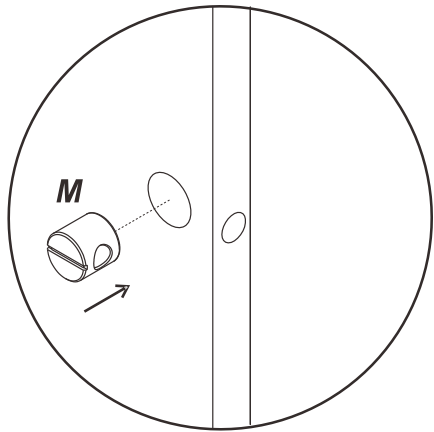
7.

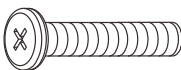
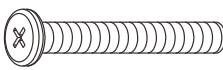



Ux 6

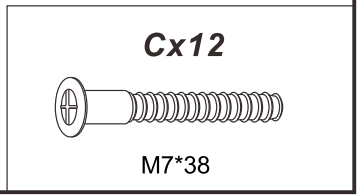
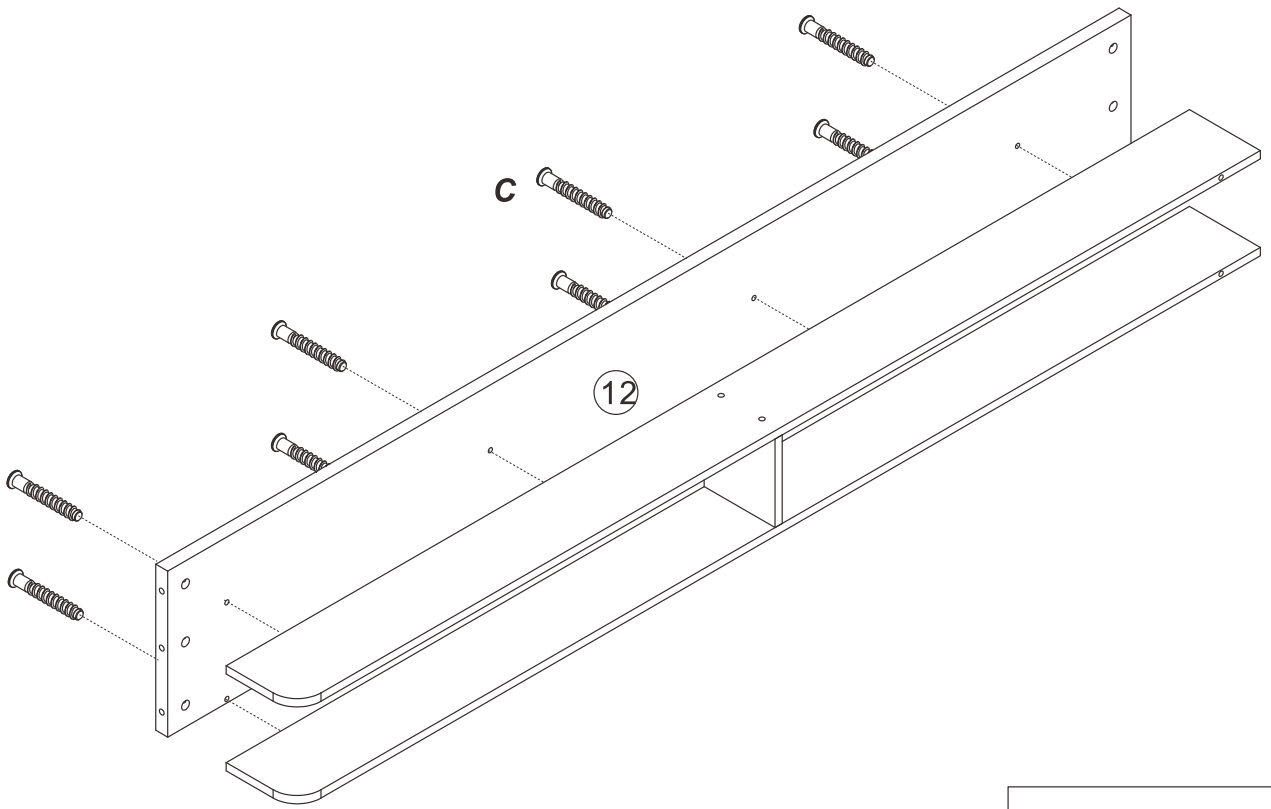
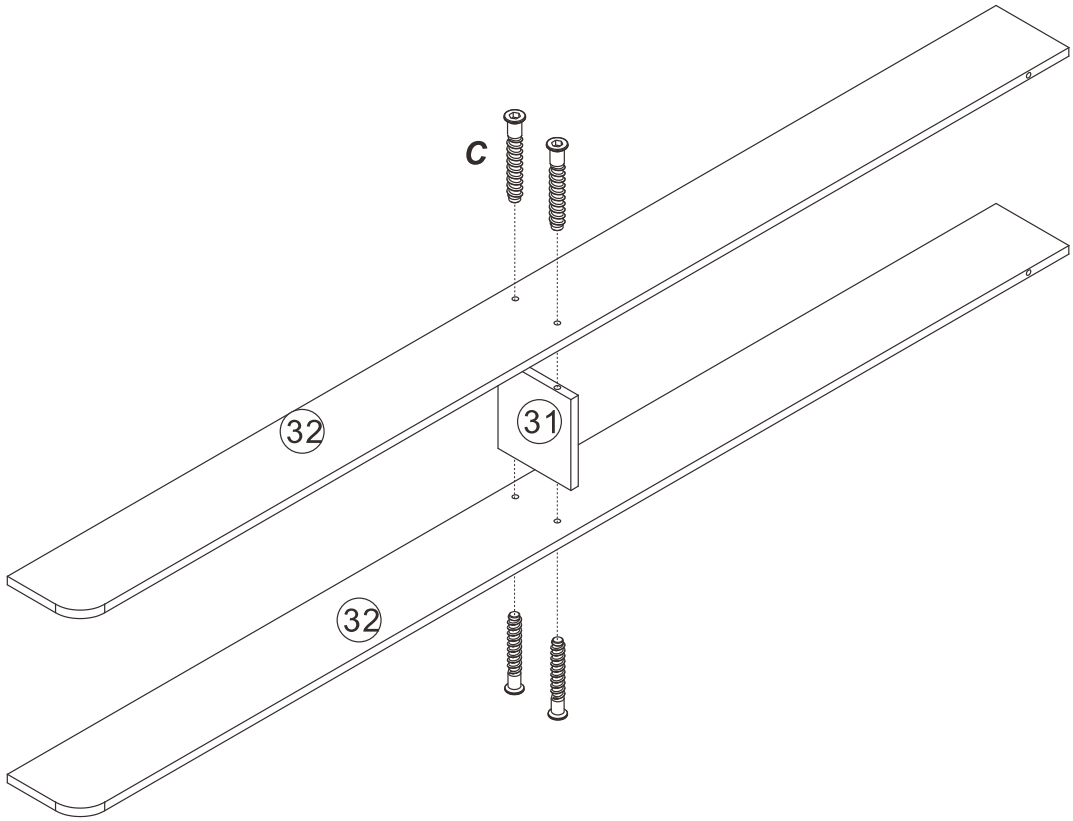


8.

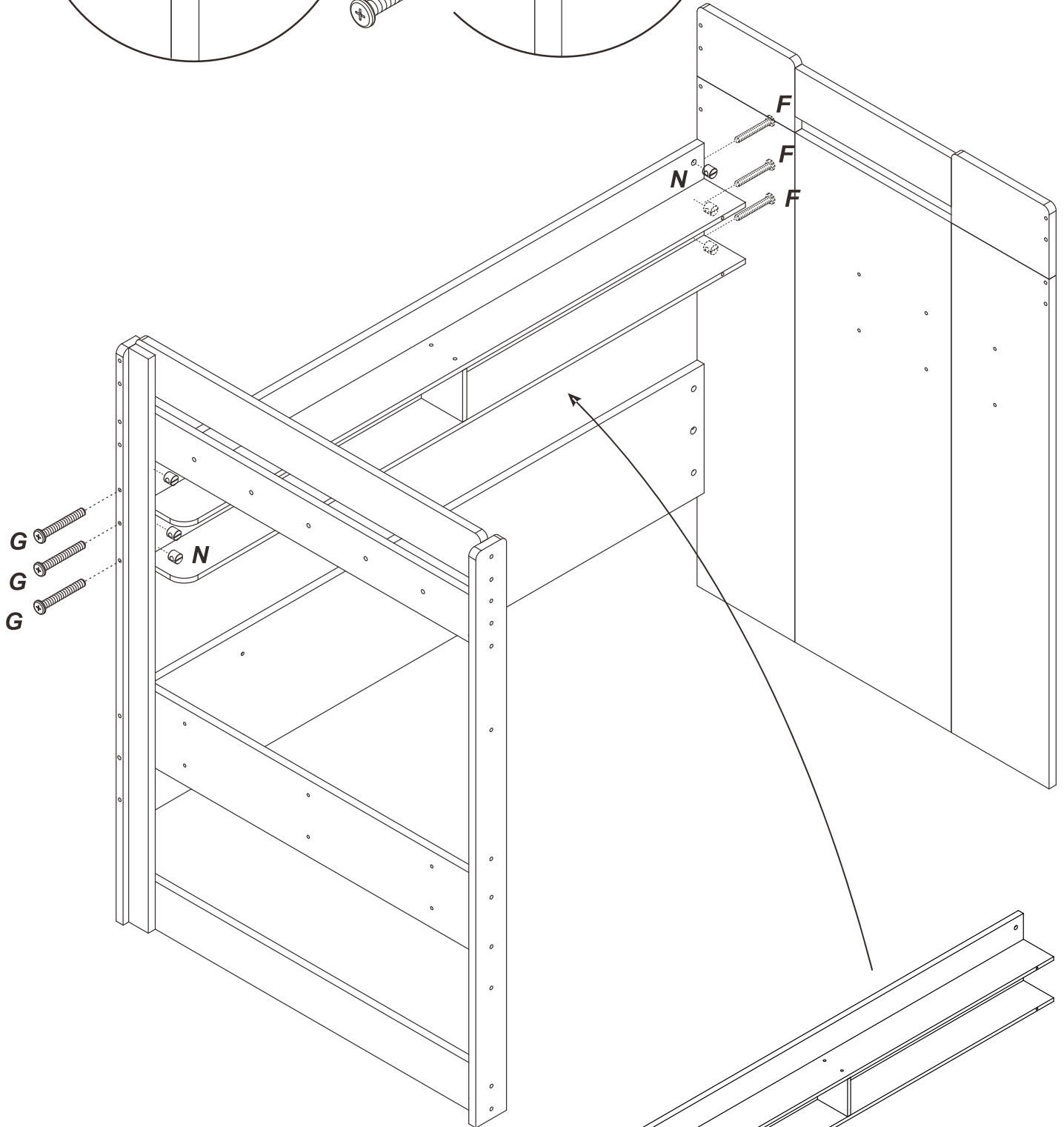
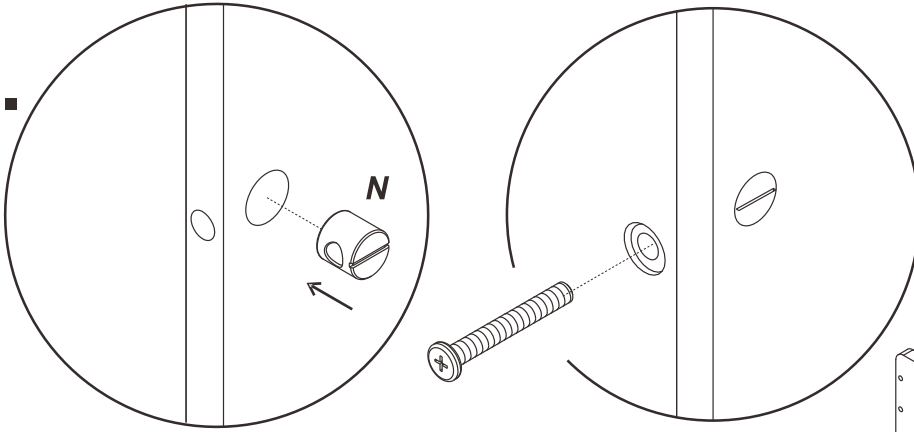


| Kx3 | Lx3 | Mx6 |
|--|---|---|
|  |  |  |
| M8*55 | M8*90 | M8*15 |

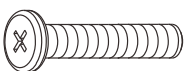
9.



10.

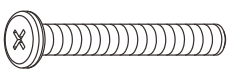


Fx3



M6*50

Gx3



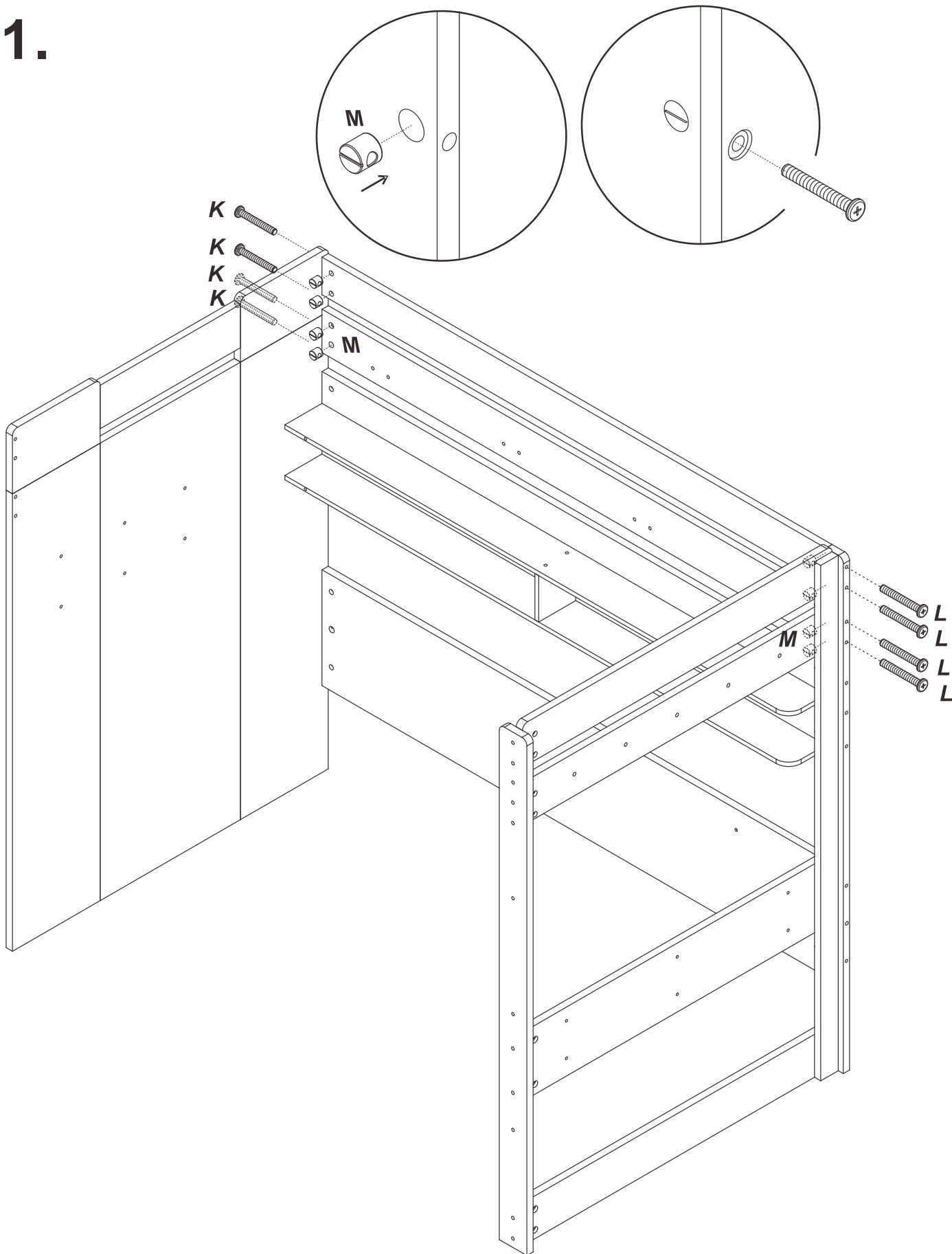
M6*90

Nx6

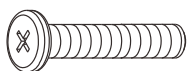


M6*12

11.

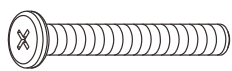


Kx4



M8*55

Lx4



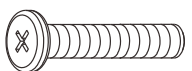
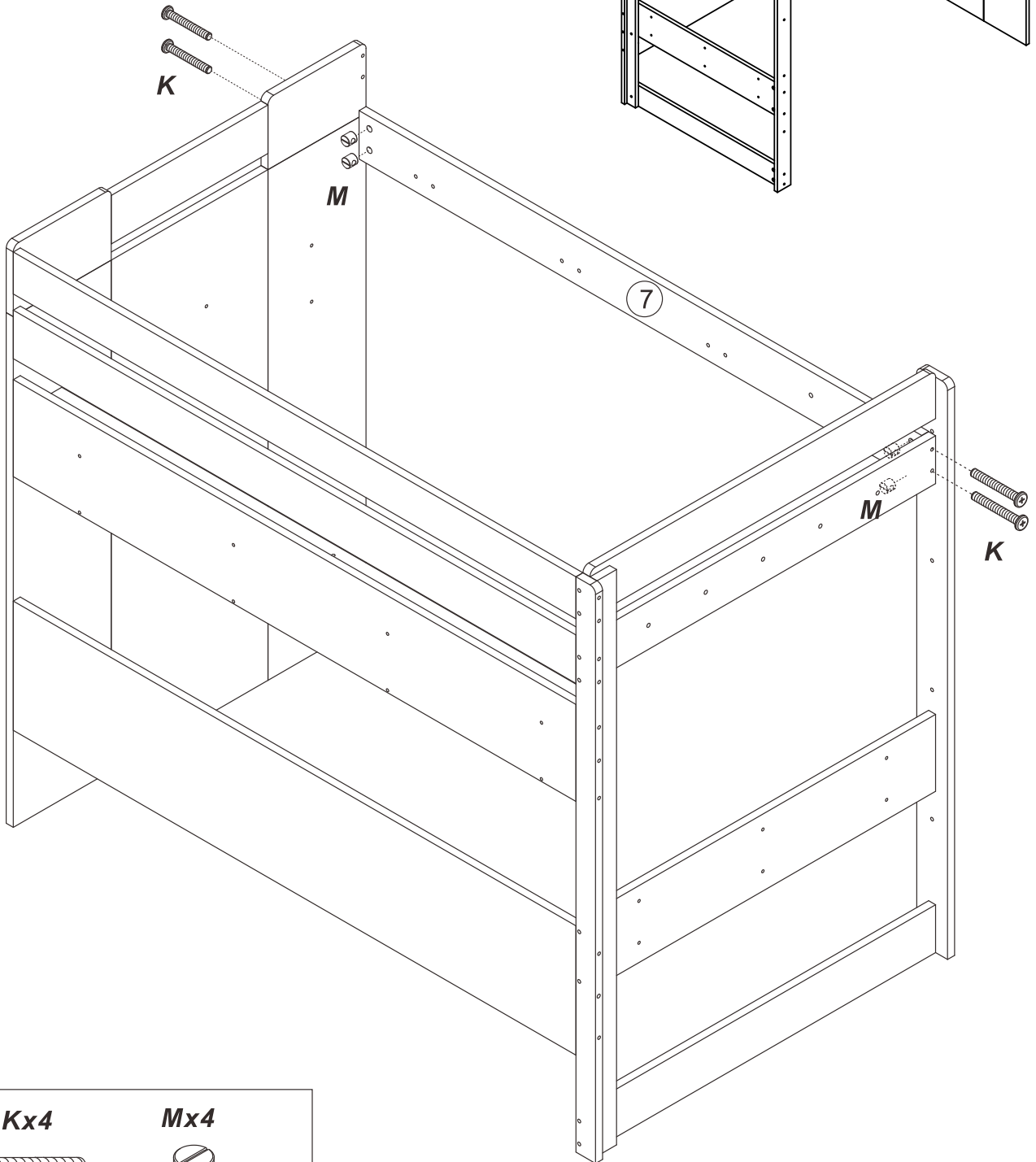
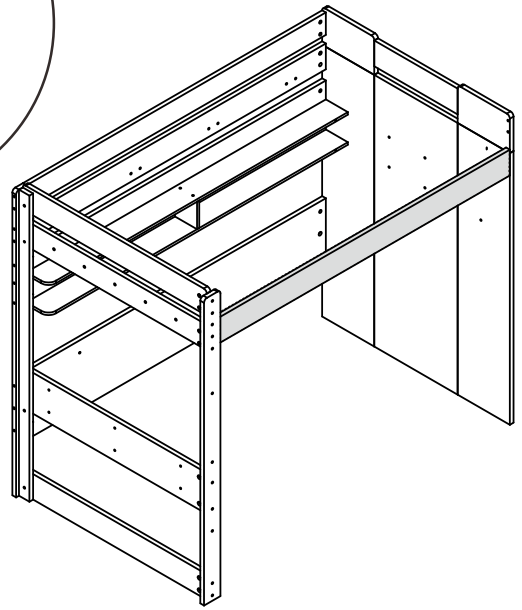
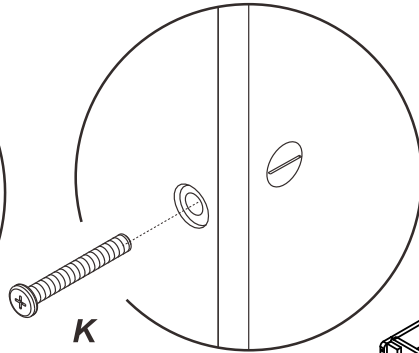
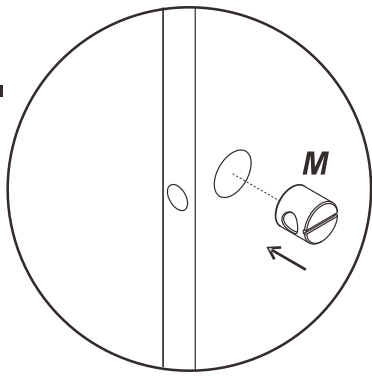
M8*90

Mx8



M8*15

12.



Kx4

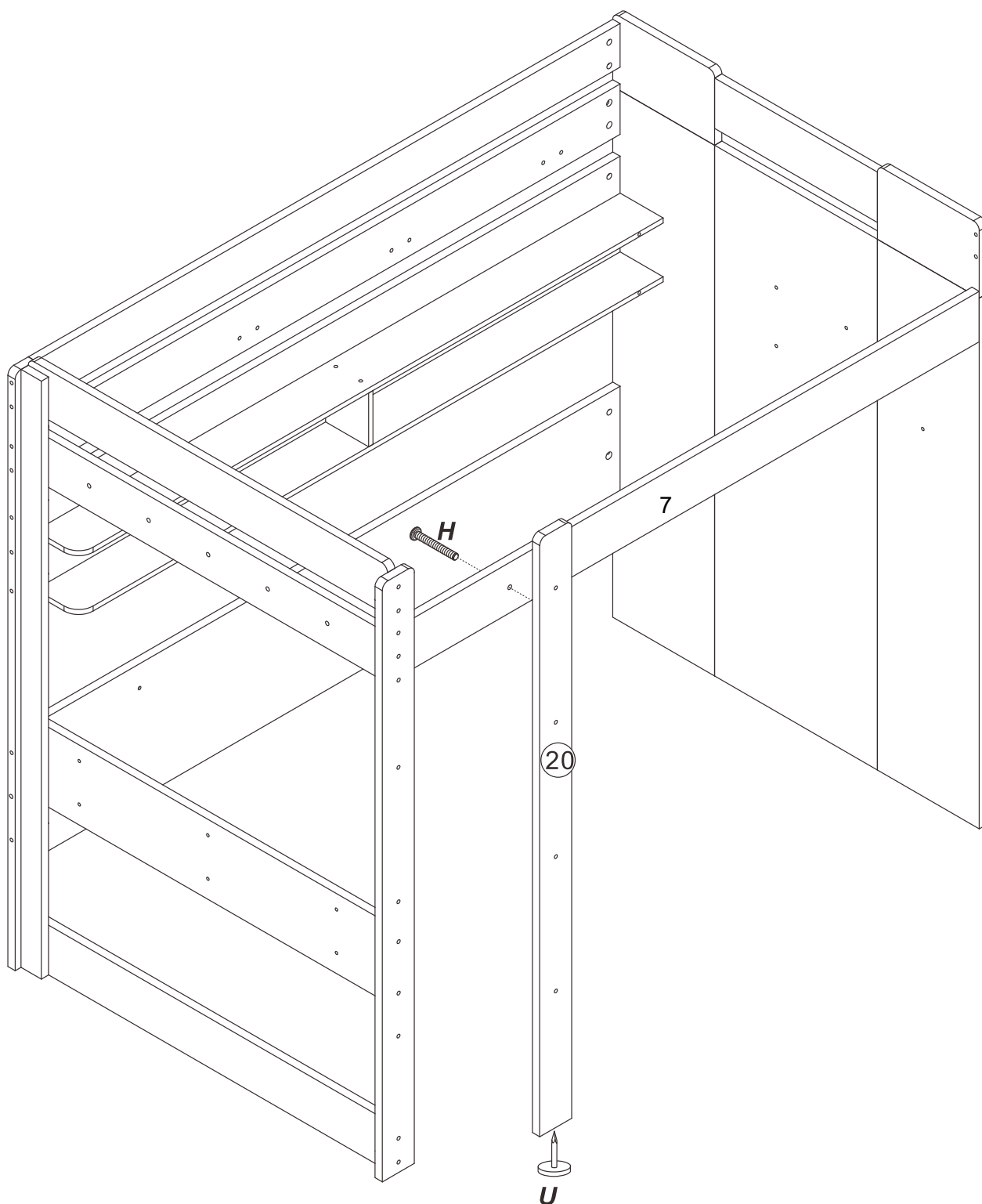
M8*55



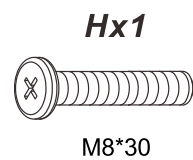
Mx4

M8*15

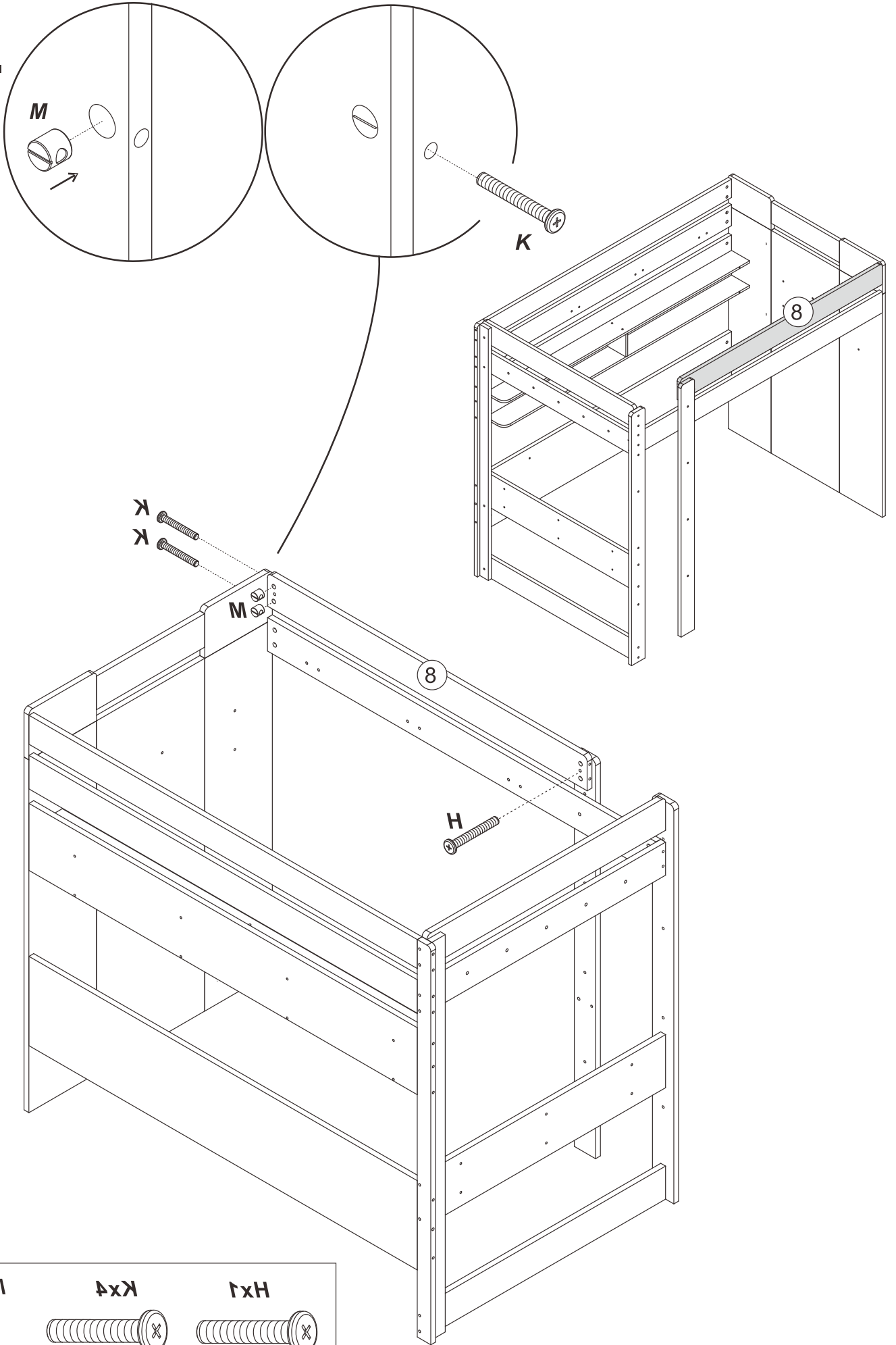
13.



Note: on panel 7, the holes are not punched through so that the ladder side can be switched as needed, please use drill bit or the provided wood screw (R) to drill through to widen the holes.



14.

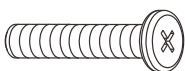


4xM



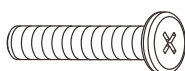
M8*12

4xK



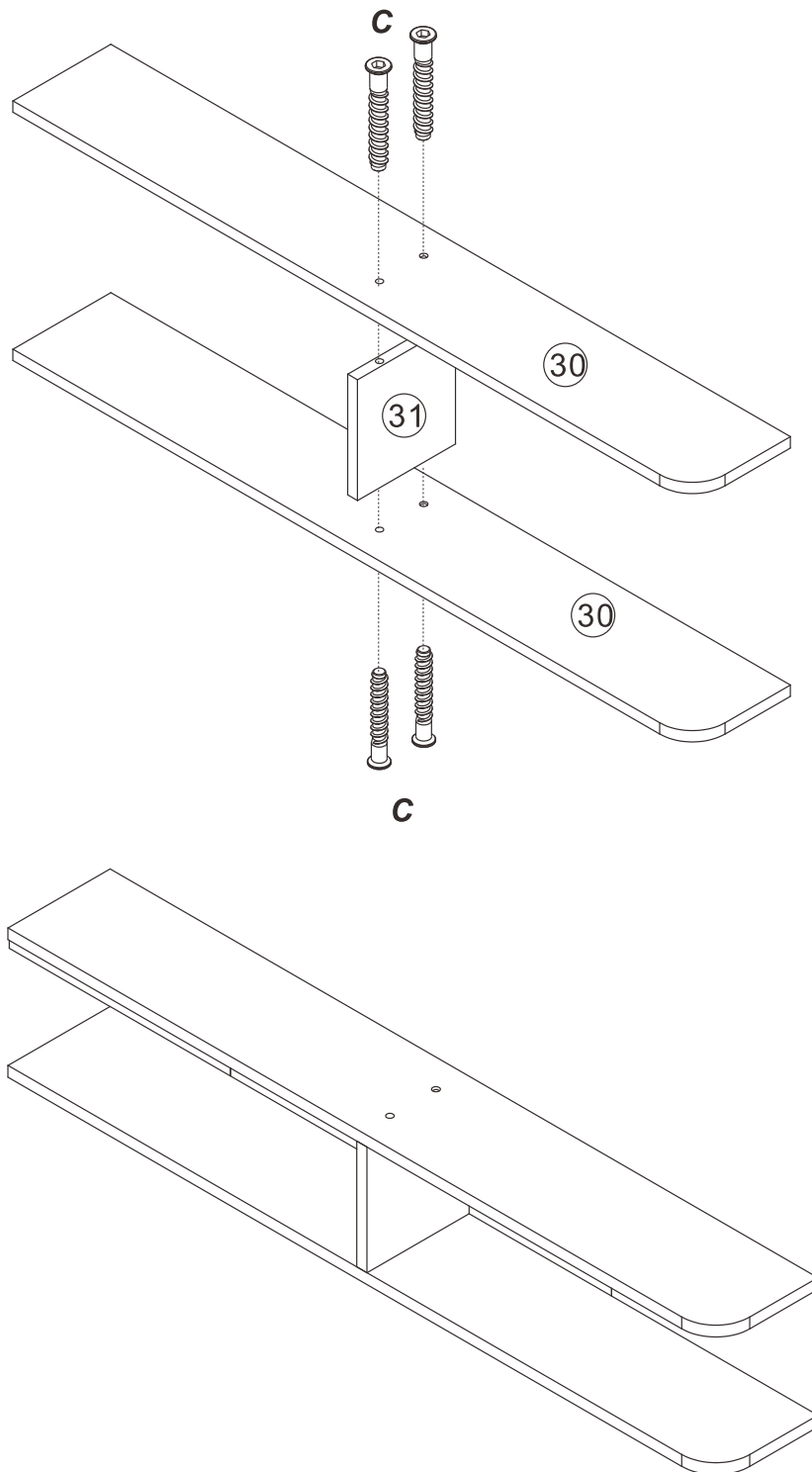
M8*22

1xH



M8*30

15.

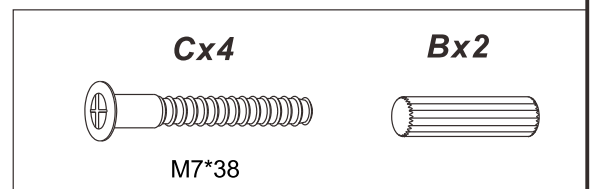
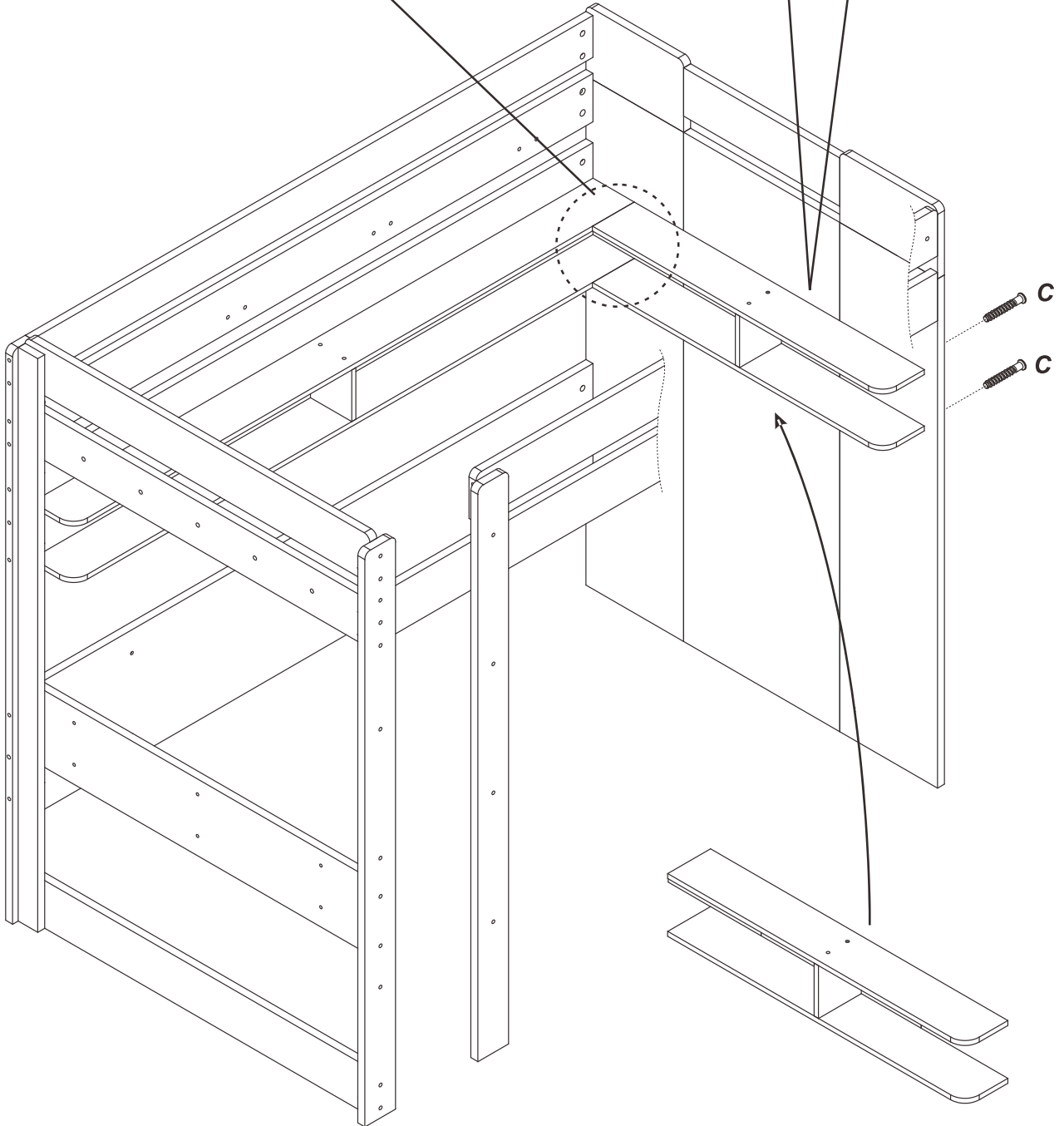
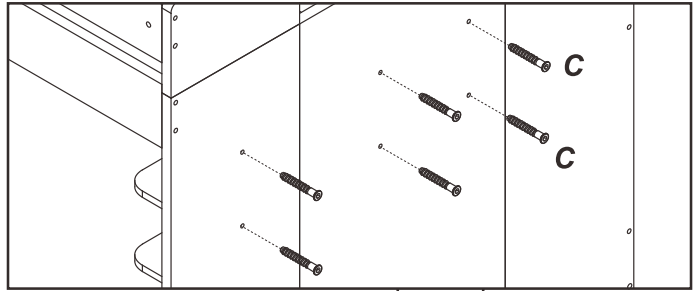
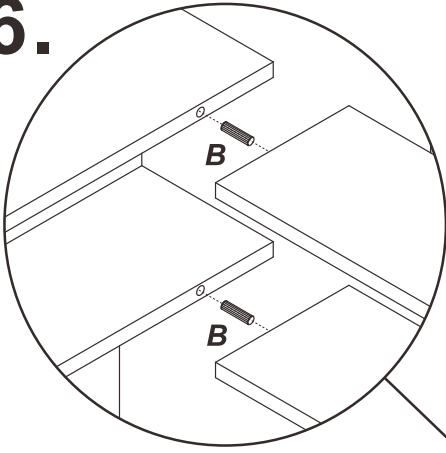


Cx4

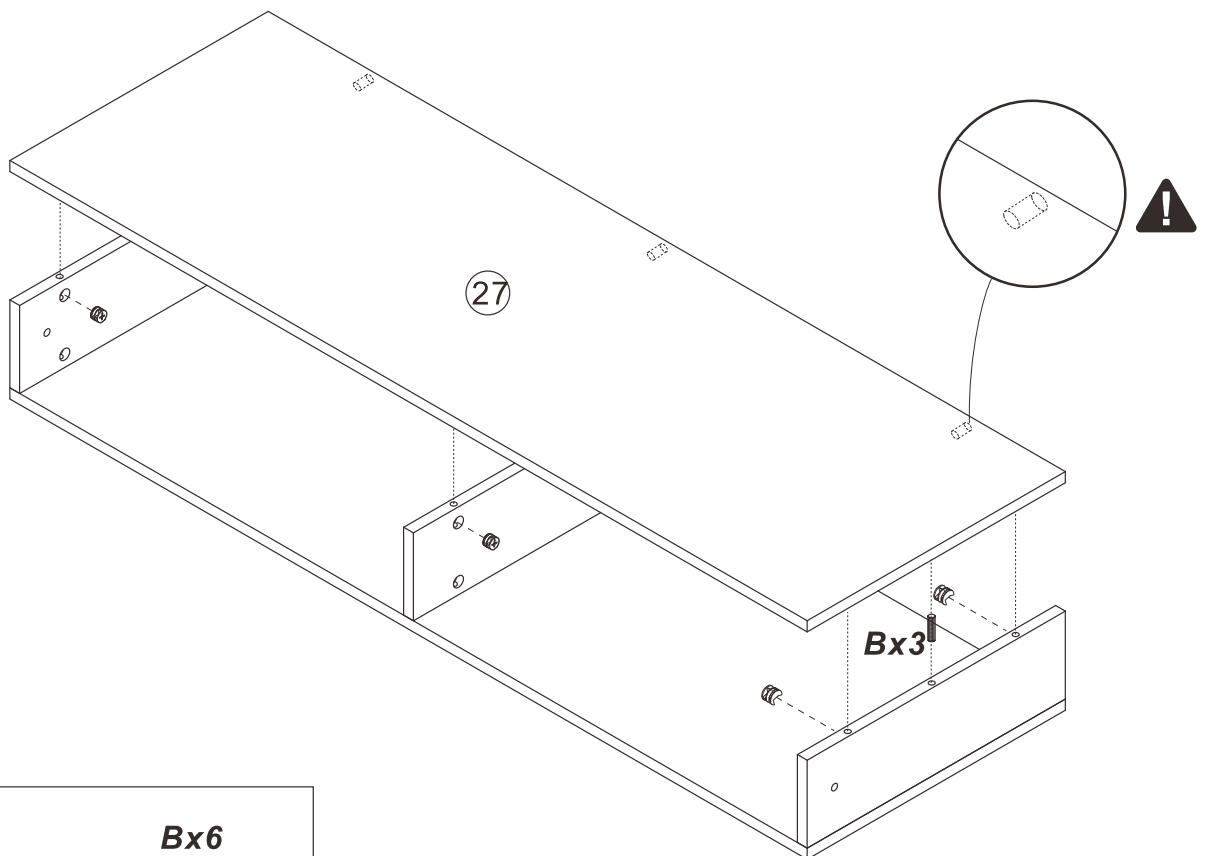
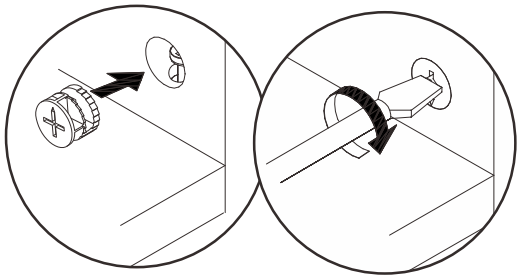
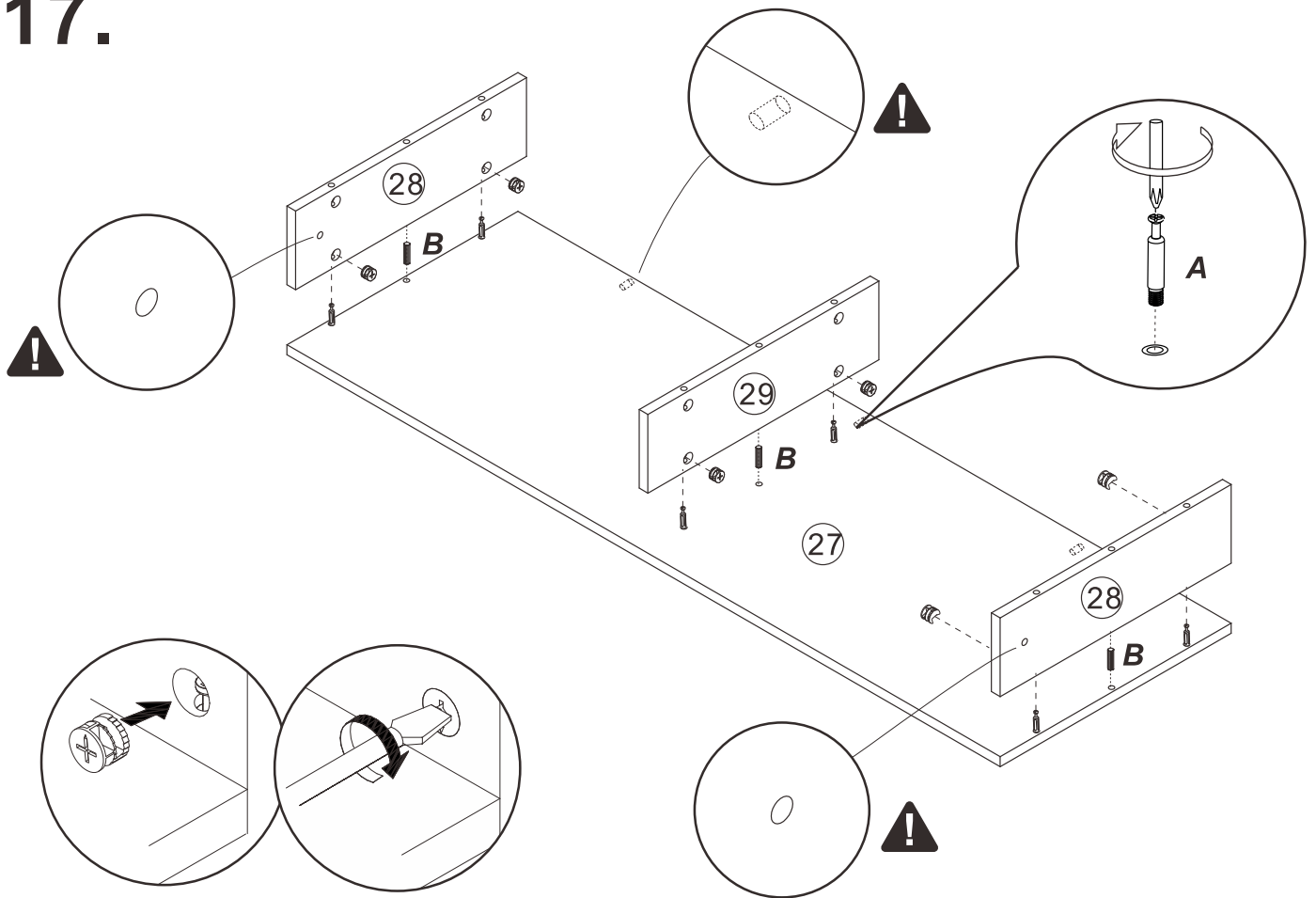


M7*38

16.

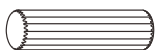
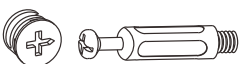


17.

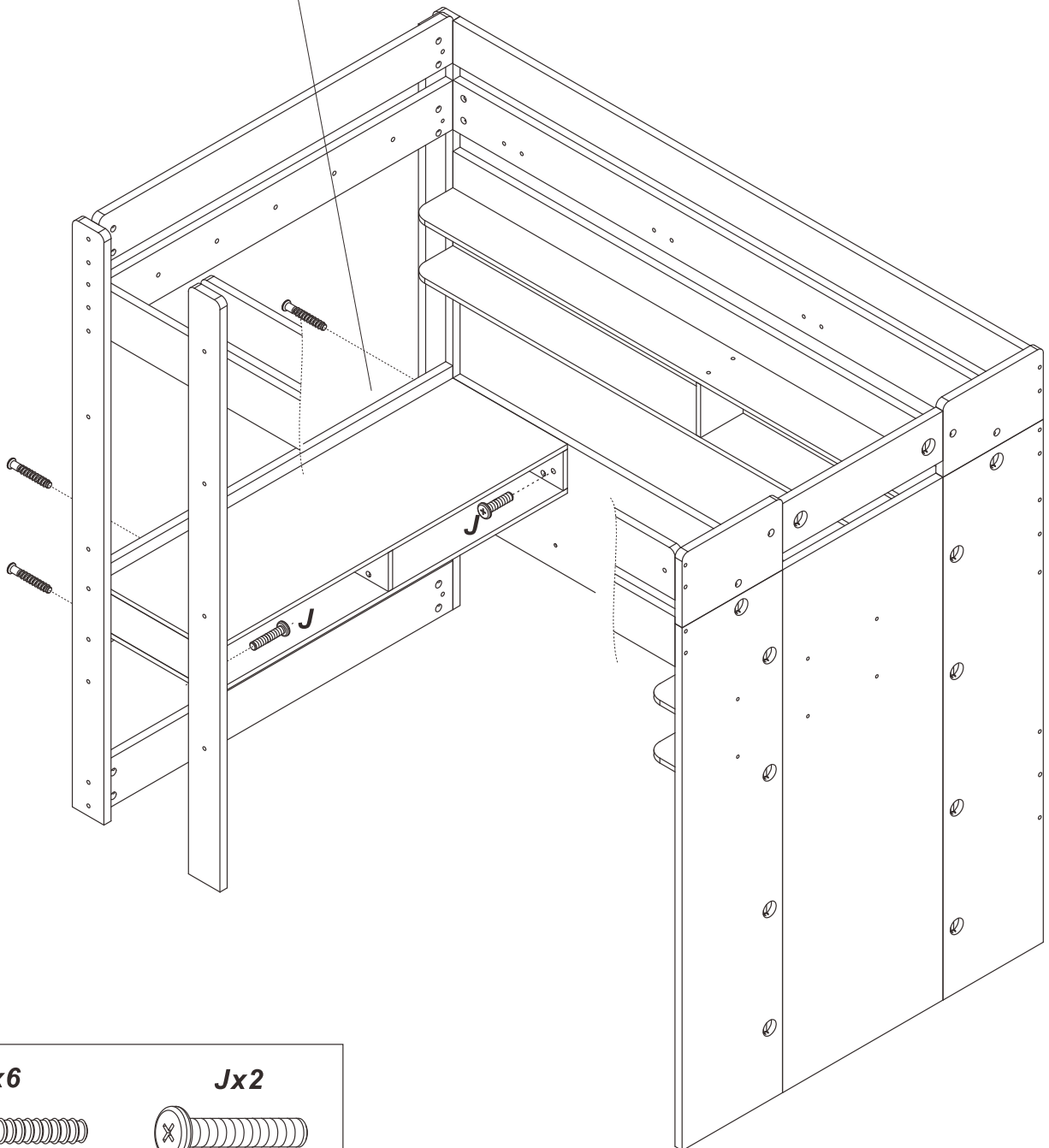
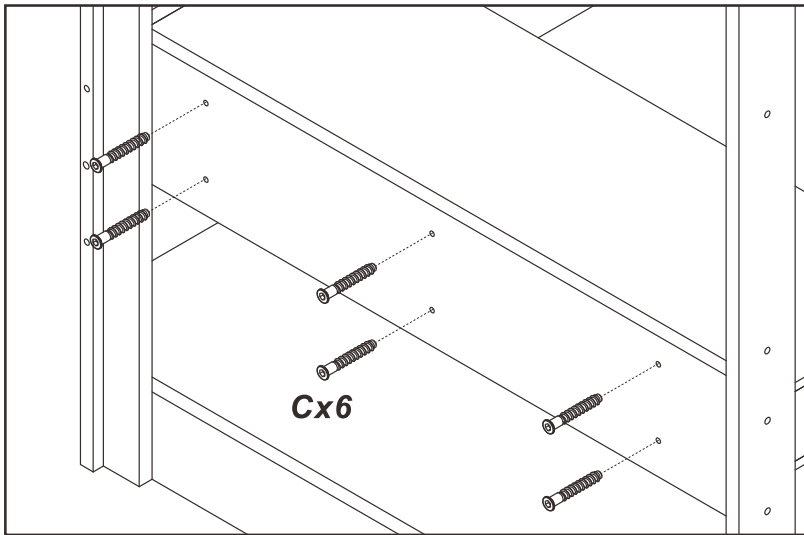


Ax12

Bx6



18.

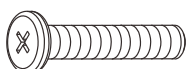


Cx6



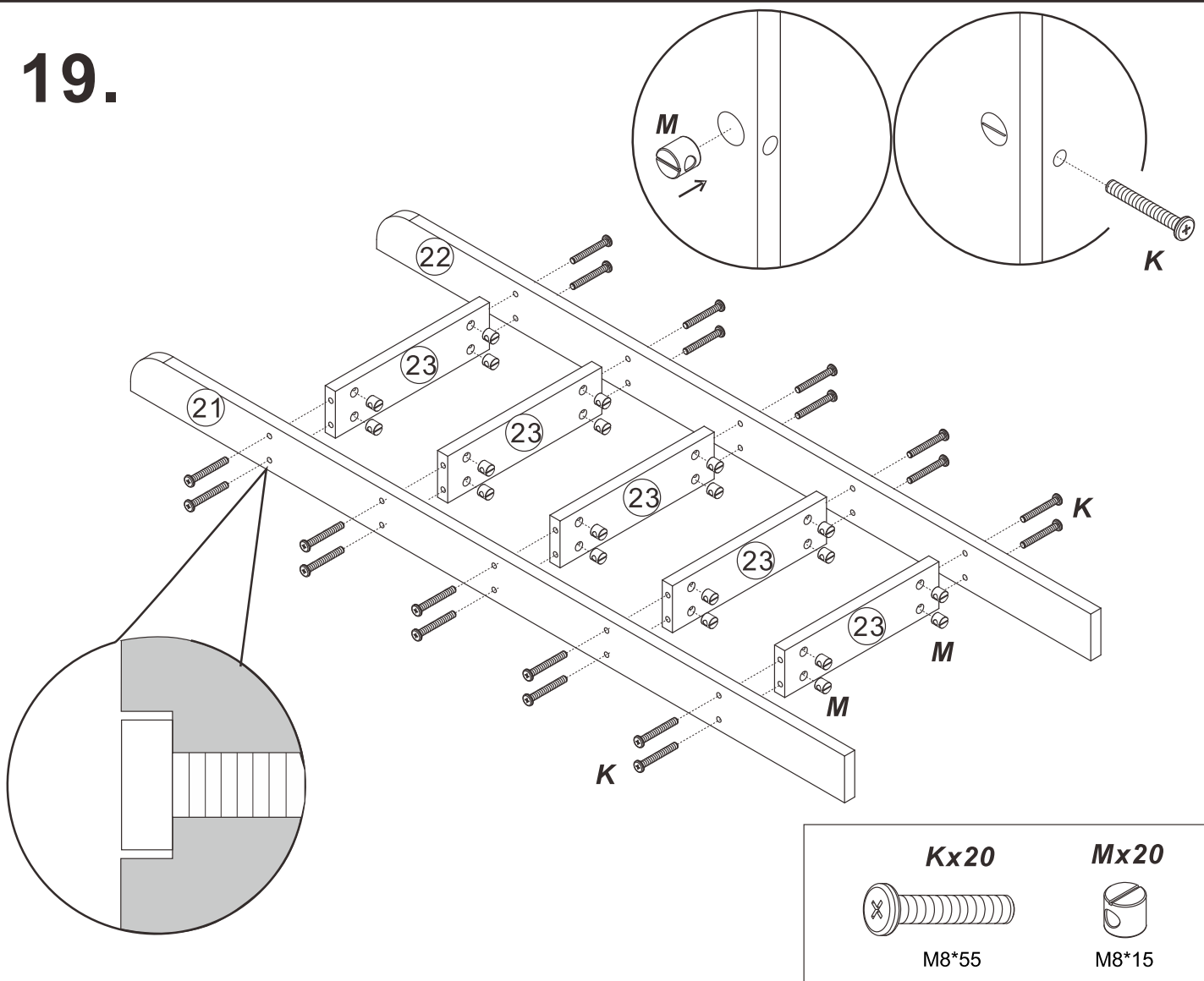
M7*38

Jx2

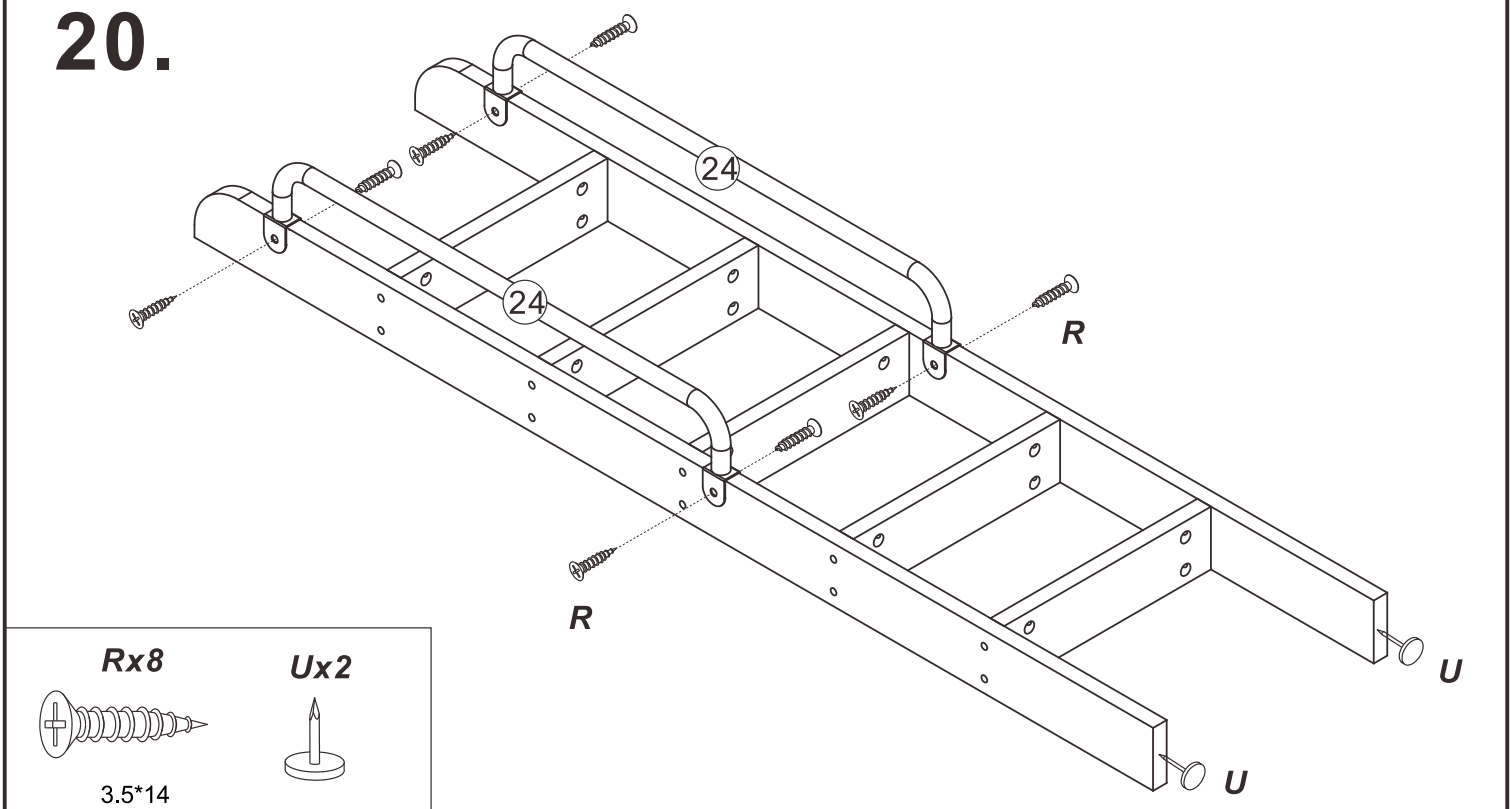


M8*40

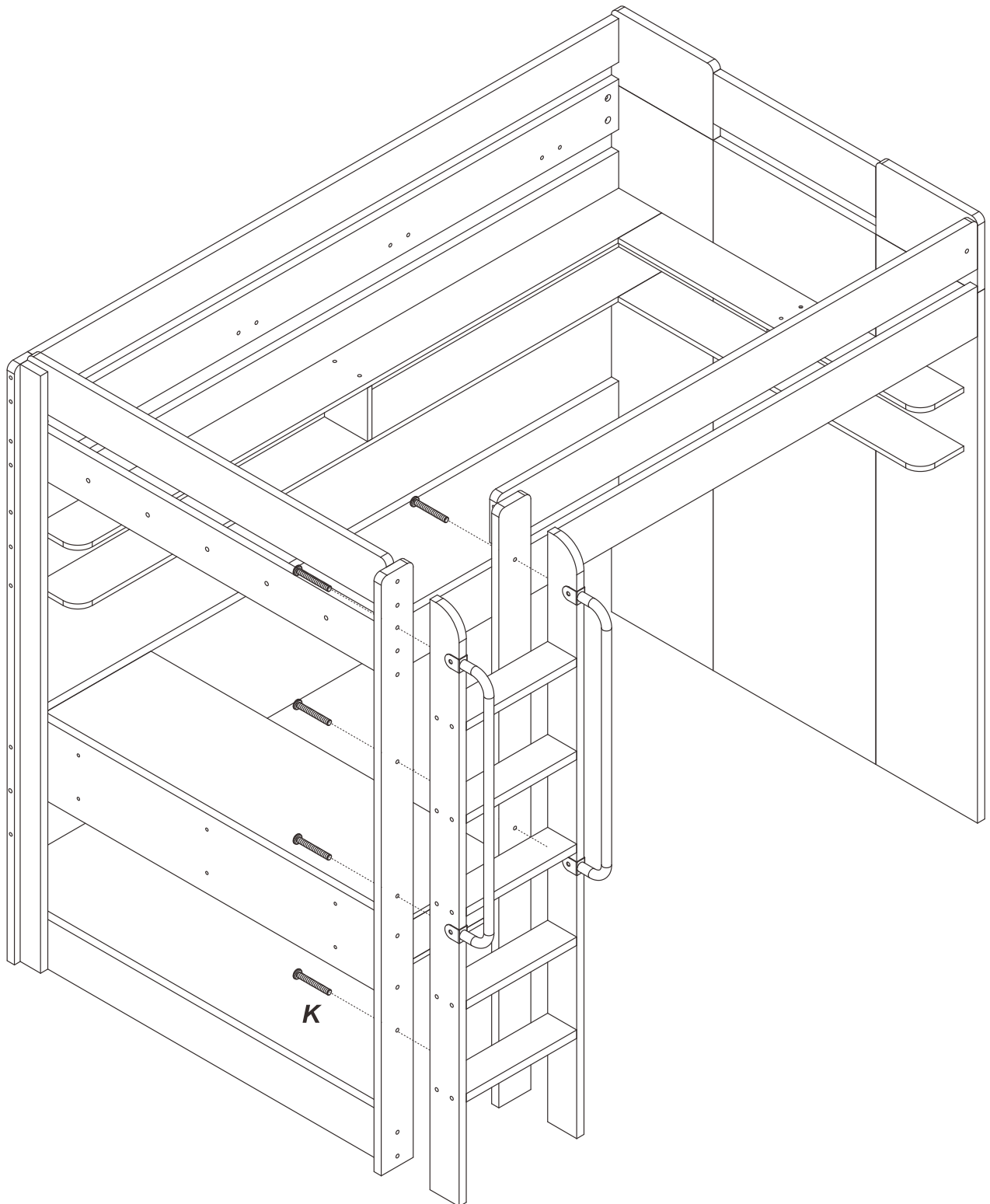
19.



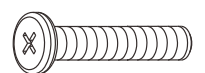
20.



21.

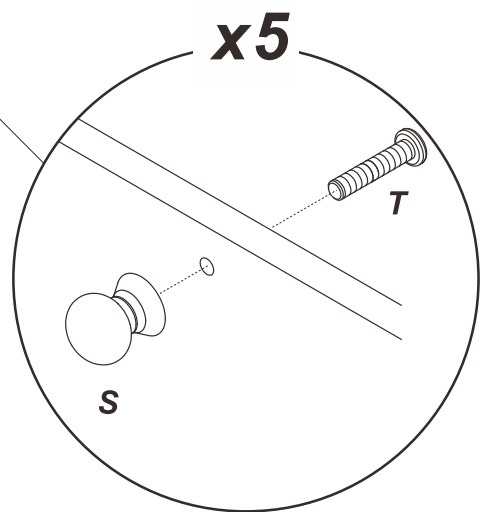
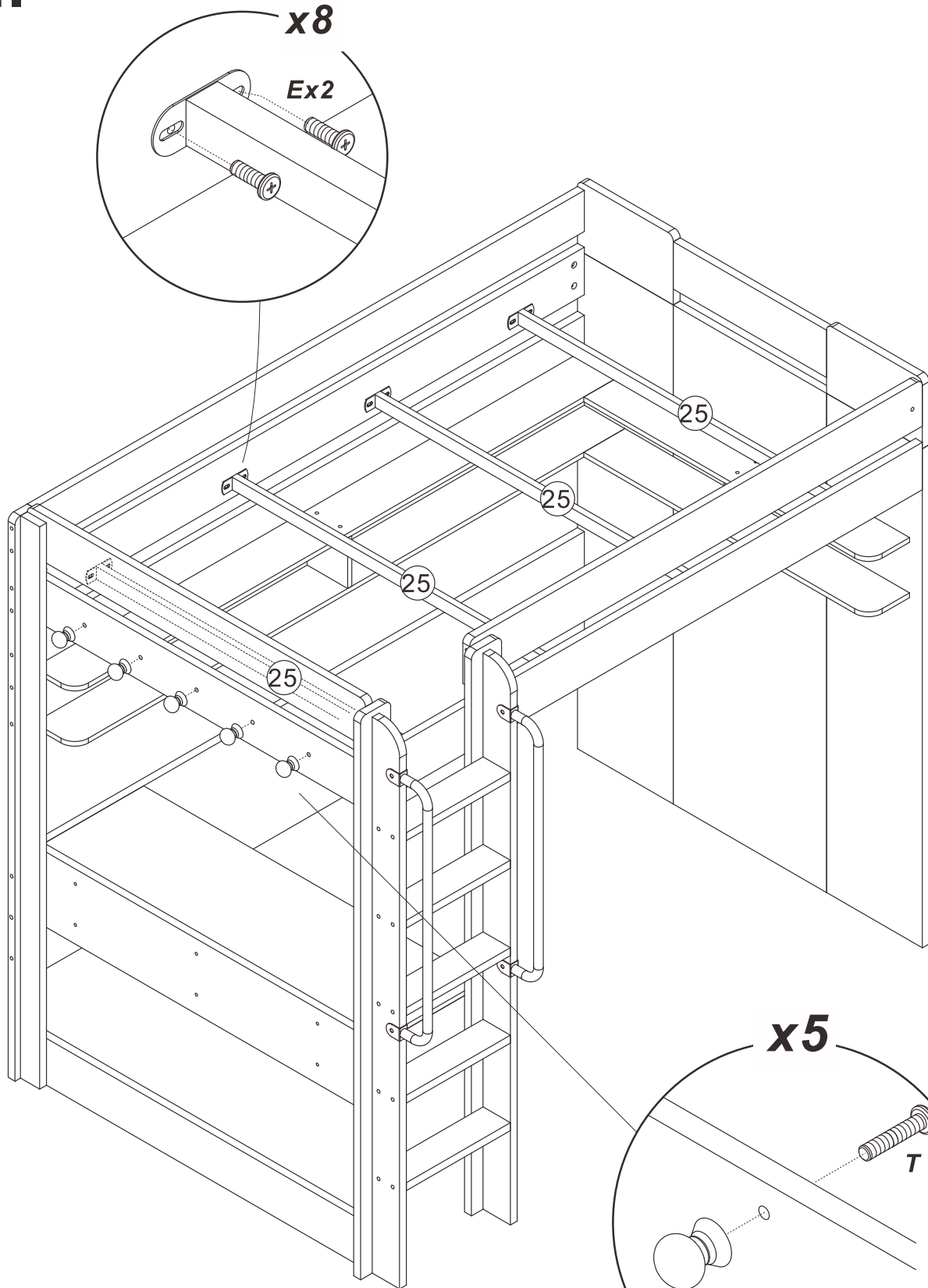


Kx8



M8*55

22.



Ex16



M6*15

Sx5

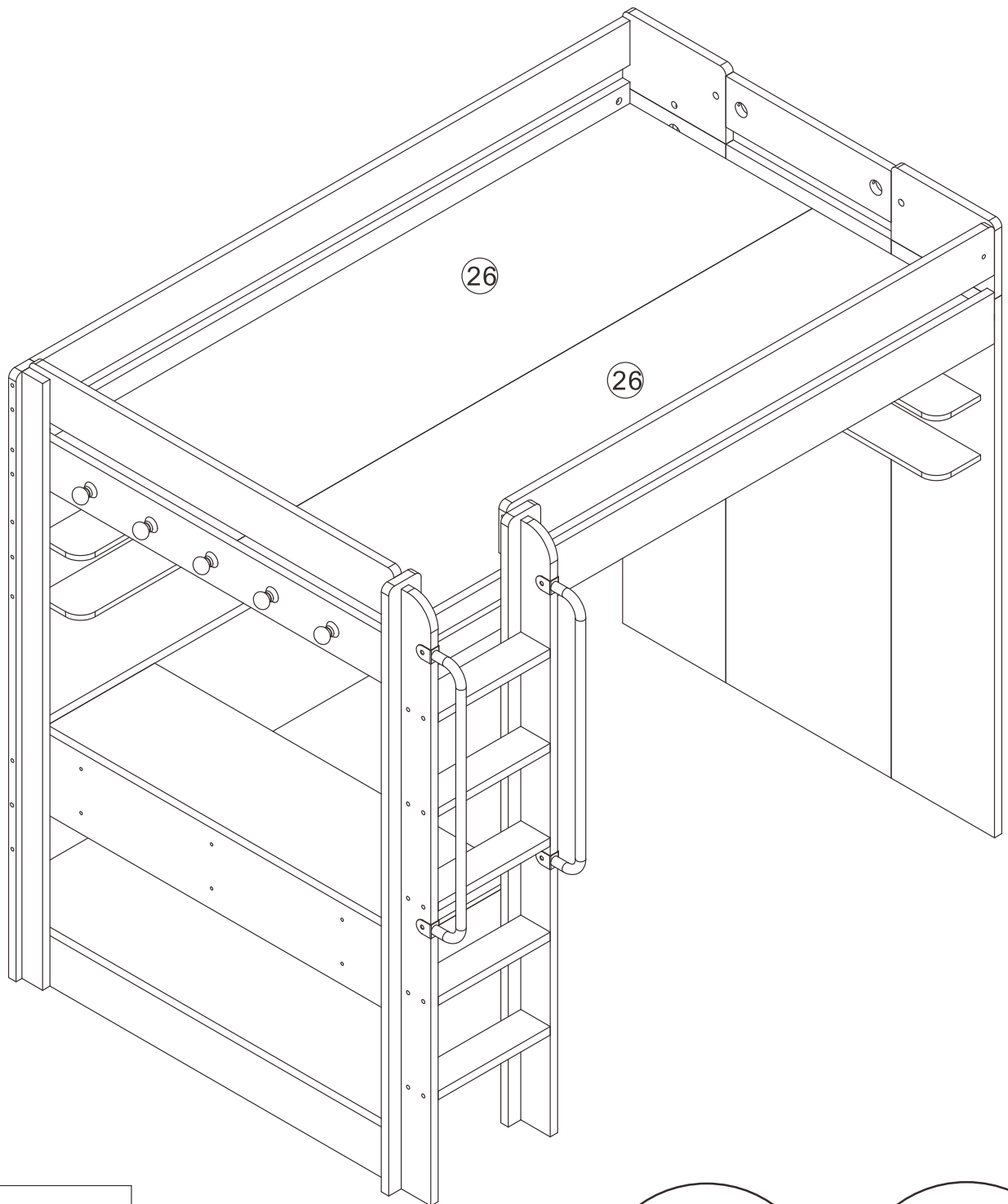


Tx5



M4*28

23.



Wx100

