

Safety Advice

PLEASE READ BEFORE YOU BEGIN:

- ° Please read and understand the instructions before assembly.
- ° Incorrect installation of the product could result in personal injury or physical damage. Please note that warranties do not cover injuries or damage under these circumstances.
- ° EzSpace recommends that eye protection is worn when assembling the product.
- ° EzSpace recommends at least two adults to assemble and install the product safely.
- ° This product must be placed on a flat and level surface while in use.
- ° EzSpace suggests to cover carpet or floor with soft materials before installation, and prepare the installation area with additional soft padding to prevent from any scratching to the floor surface.
- ° If you ordered additional drawers from us, please assemble drawers as the final step.
- ° If you ordered stairs/ staircase storage units from us, please assemble stairs after the bed and main components have been installed correctly. Installation instructions for stairs are separated provided.
- ° While these products are easy to install, we can recommend a qualified tradesperson to install if you are not comfortable with the installation of this product. Please contact us directly for assistance.

SAFETY WARNING

The bunk/loft bed is not to be placed near a ceiling fan unless the distance between the closest points on the ceiling fan and the bunk/loft bed is at least 2 m. Our products are designed to be installed by adults ONLY. Please keep children away during installation to prevent any unexpected injuries to the child or damage to the product. Warranties do not cover injuries or damage under these circumstances.

While our products meet Australian Standards, supervision for child use is required:

Children under the age of six should not use the upper bed if the bunk is of the type that has an upper bed suspended over a lower bed;

Children under the age of 12 should not use the bunk if it is of the type which has an elevated bed suspended over a play area, furniture or other feature;

Children should be discouraged from playing on the bunk bed.

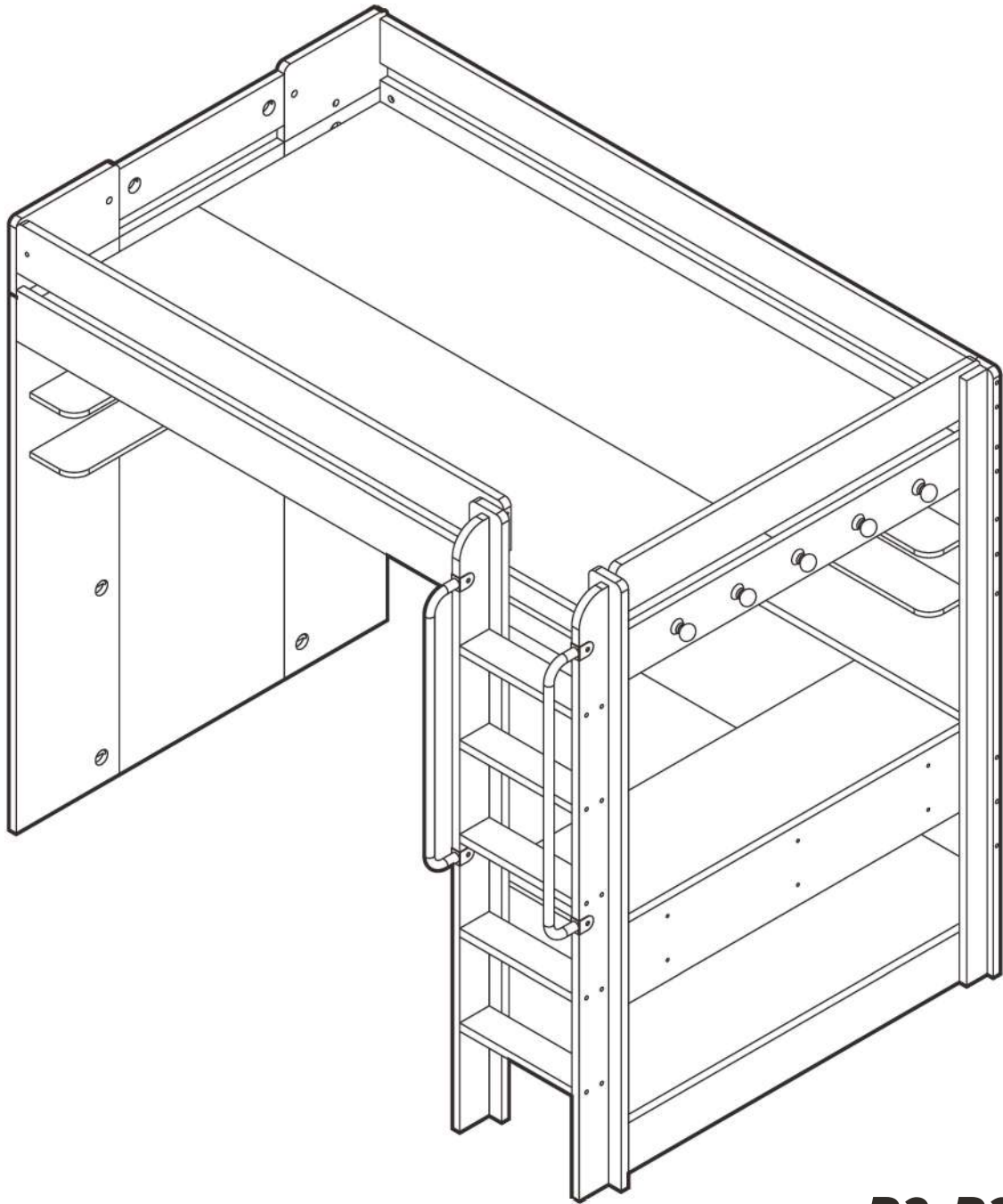
The bunk/loft bed should be checked periodically to ensure that the guardrail, ladder and other components are maintained in the correct position and state of repair and that all connectors are tight.



Contact us

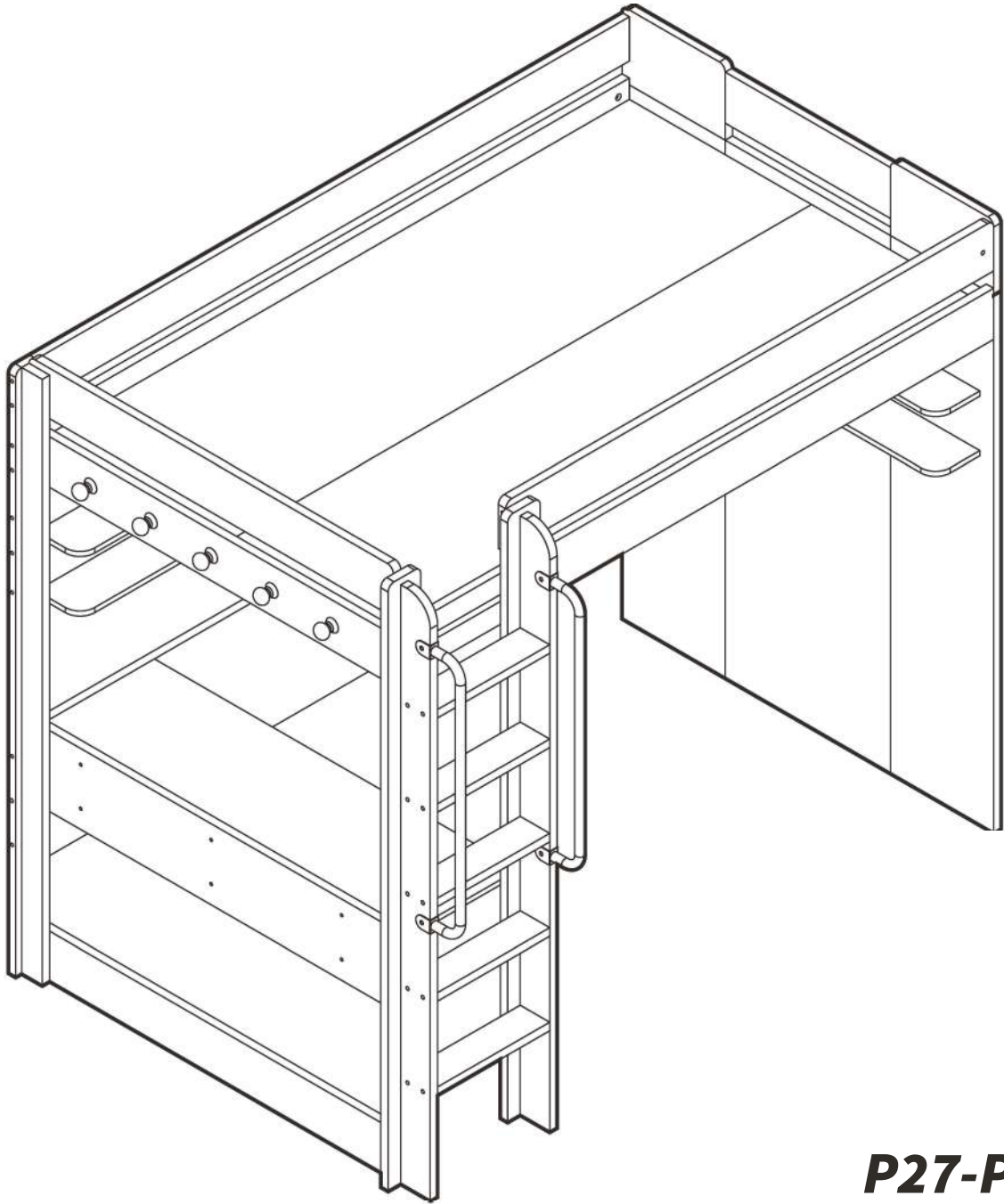
products@ezspace.com.au

TEOM Loft Bed Installation Manual

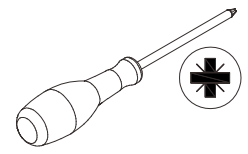
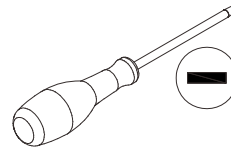
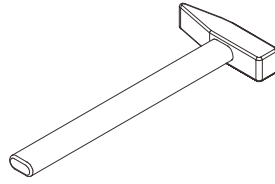
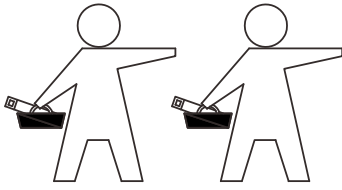


P2-P26

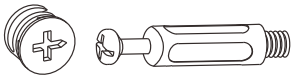




P27-P51



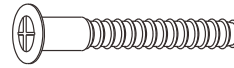
Ax12



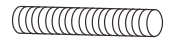
Bx24



Cx 31



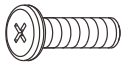
Dx12



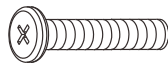
M7*38

M8*80

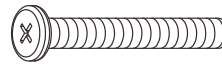
Ex16



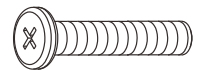
Fx3



Gx3



Hx 4



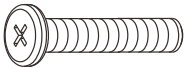
M6x15

M6x50

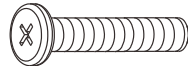
M6x90

M8x30

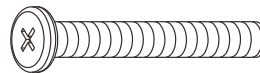
Jx12



Kx49



Lx7



Mx60



Nx6



M8*40

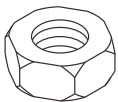
M8*55

M8*90

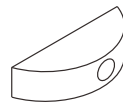
M8*15

M6*12

Ox12



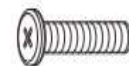
Px12



Qx12



Rx4



M8

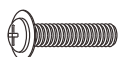
6X35

M6

Sx5



Tx5



M4*28

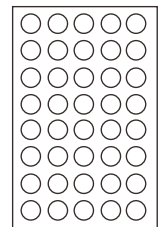
Ux10



Vx1



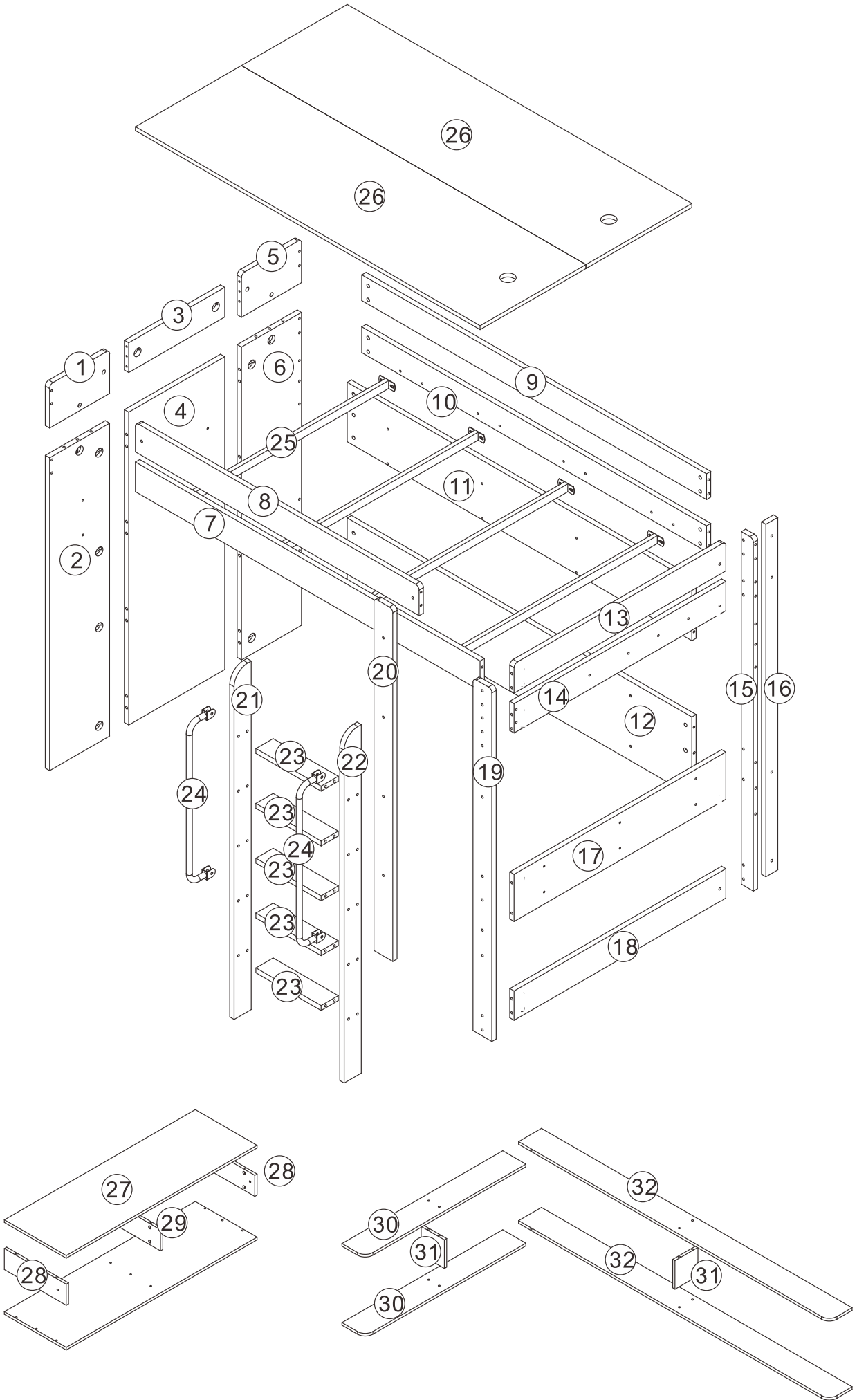
Wx100



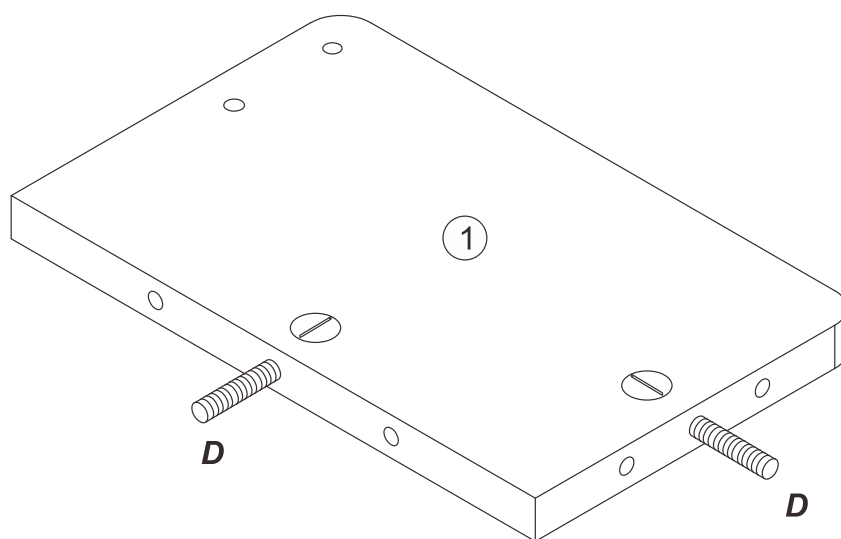
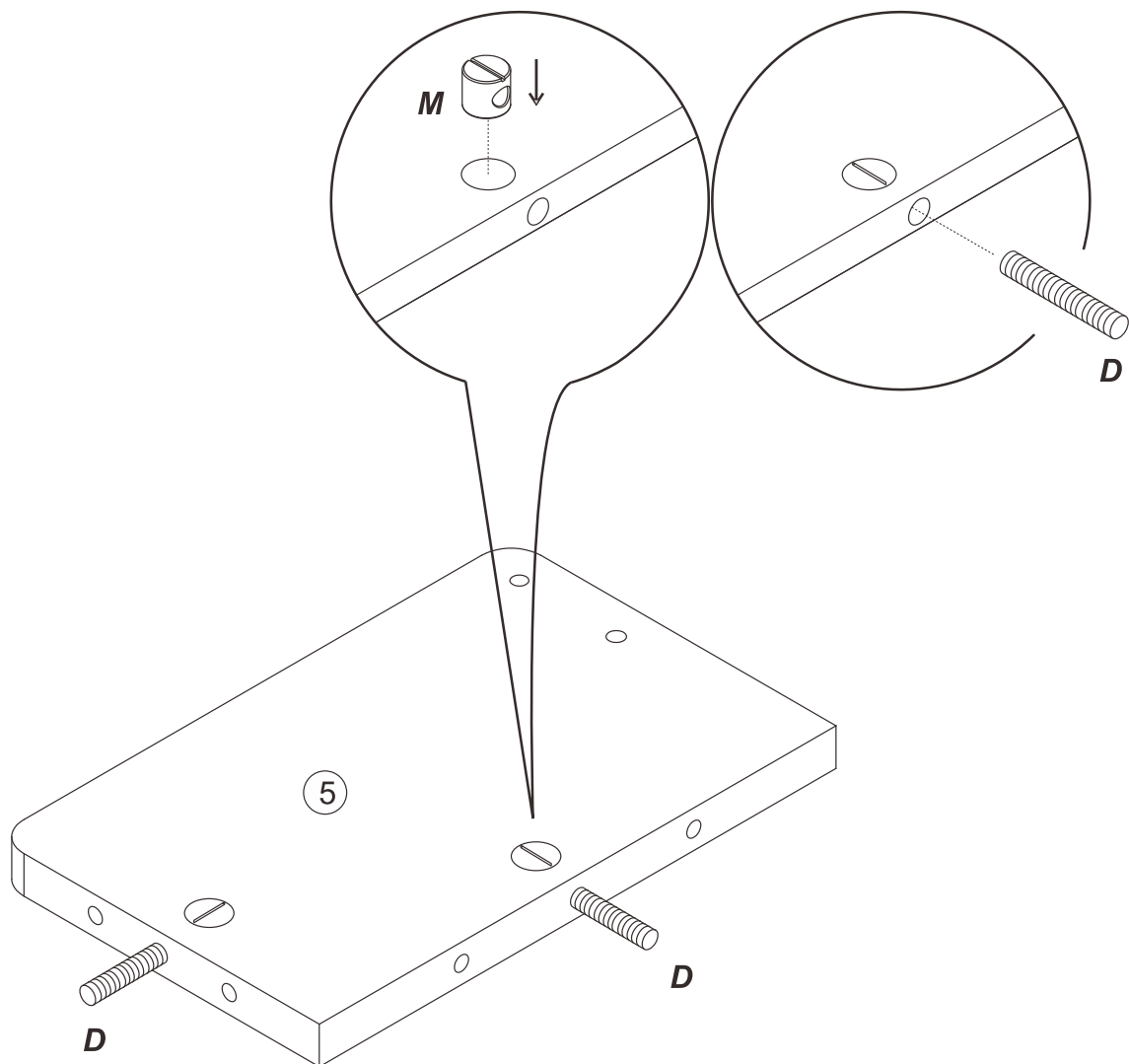
COMPONENT SIZE



1.2M

NO.	DIM.(mm)			QTY.
	L	W	H	
01	350	220	25	1
02	1580	350	25	1
03	560	148	25	1
04	1580	560	25	1
05	350	220	25	1
06	1580	350	25	1
07	2010	148	25	1
08	1654	148	25	1
09	2010	110	25	1
10	2010	148	25	1
11	2010	300	15	1
12	2010	100	25	1
13	1235	148	25	1
14	1235	148	25	1
15	1780	70	25	1
16	1780	70	25	1
17	1235	238	25	1
18	1235	148	25	1
19	1780	110	25	1
20	1780	110	25	1
21	960	100	25	1
22	960	100	25	1
23	380	100	25	5
24	900	125	30	2
25	1210	90	25	4
26	2000	600	12	2
27	1235	400	15	1
28	400	118	15	2
29	400	118	15	1
30	1040	148	15	2
31	160	148	15	2
32	2010	148	15	2
33	600	40	25	2
34	800	100	25	1
35	800	100	25	1

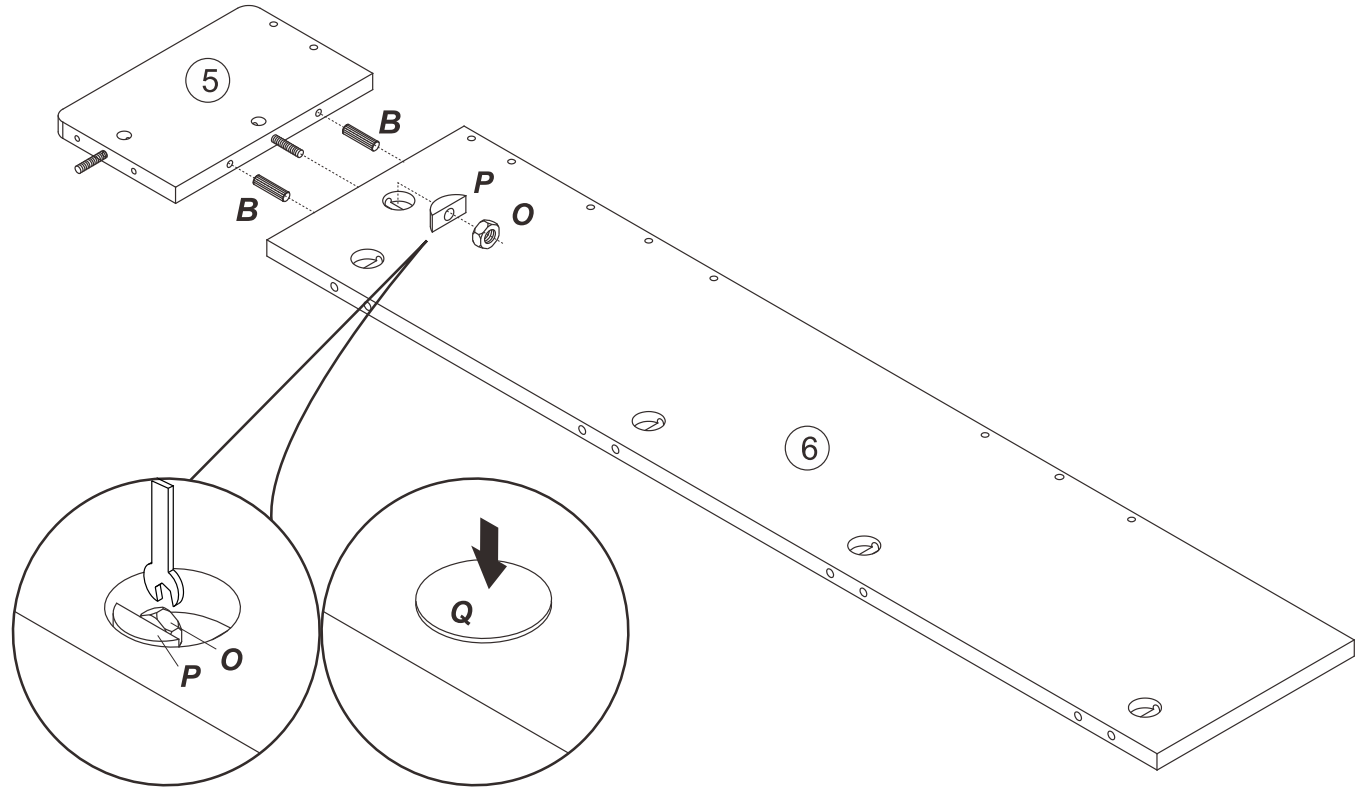
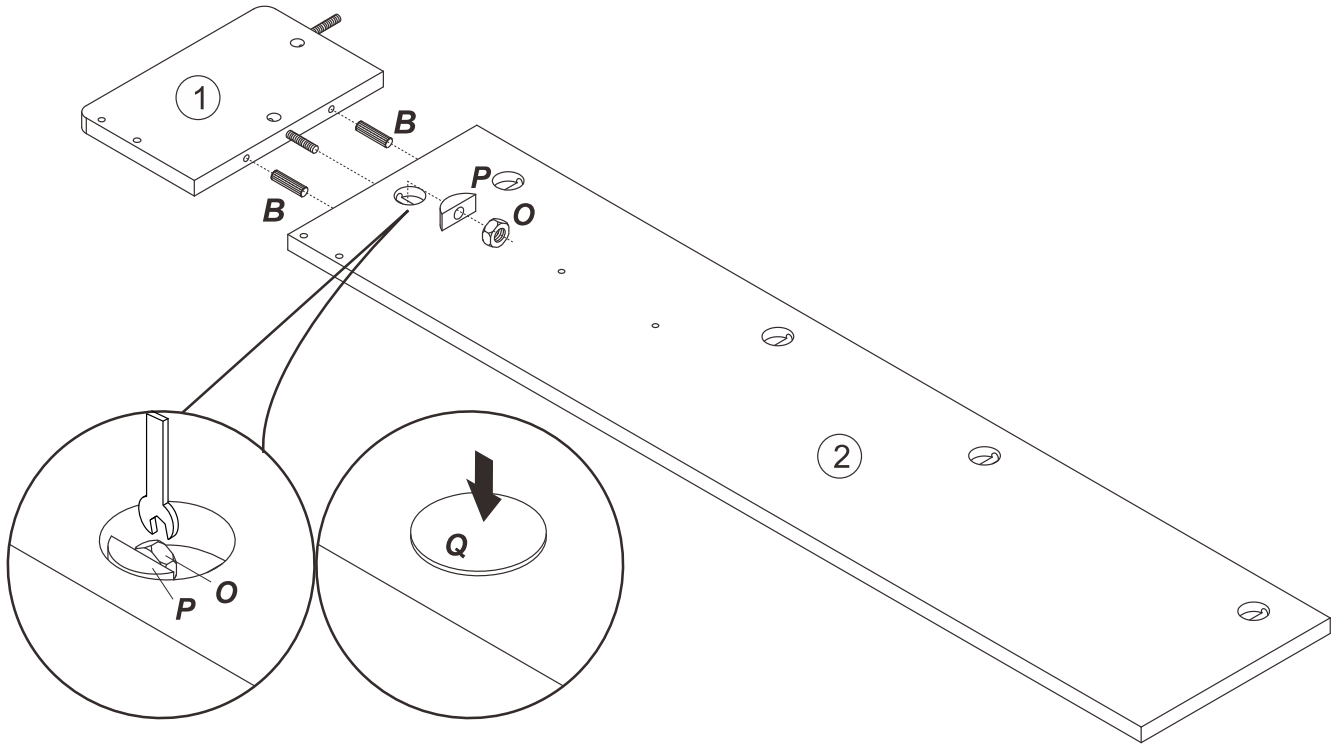


1.



<i>Dx4</i>	<i>Mx4</i>
	
M8*80	M8*15

2.



Bx4



Ox2



M8

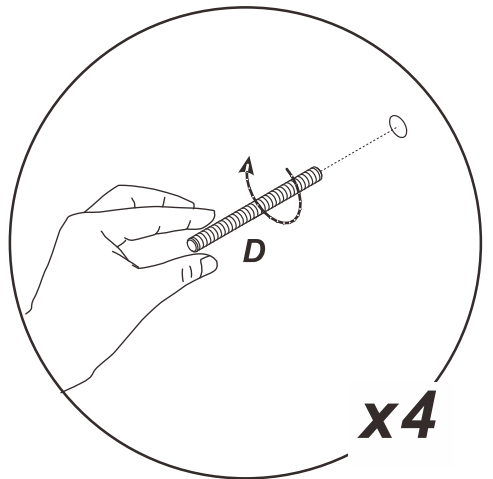
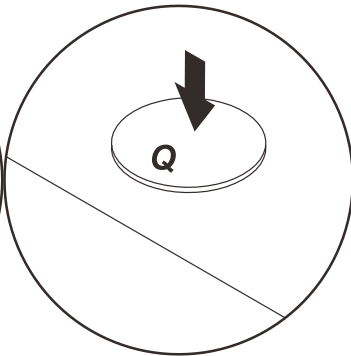
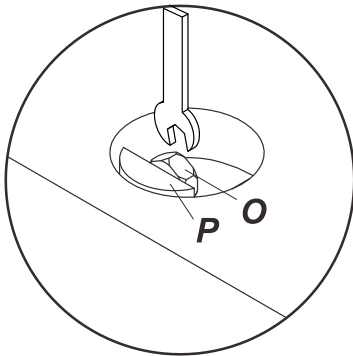
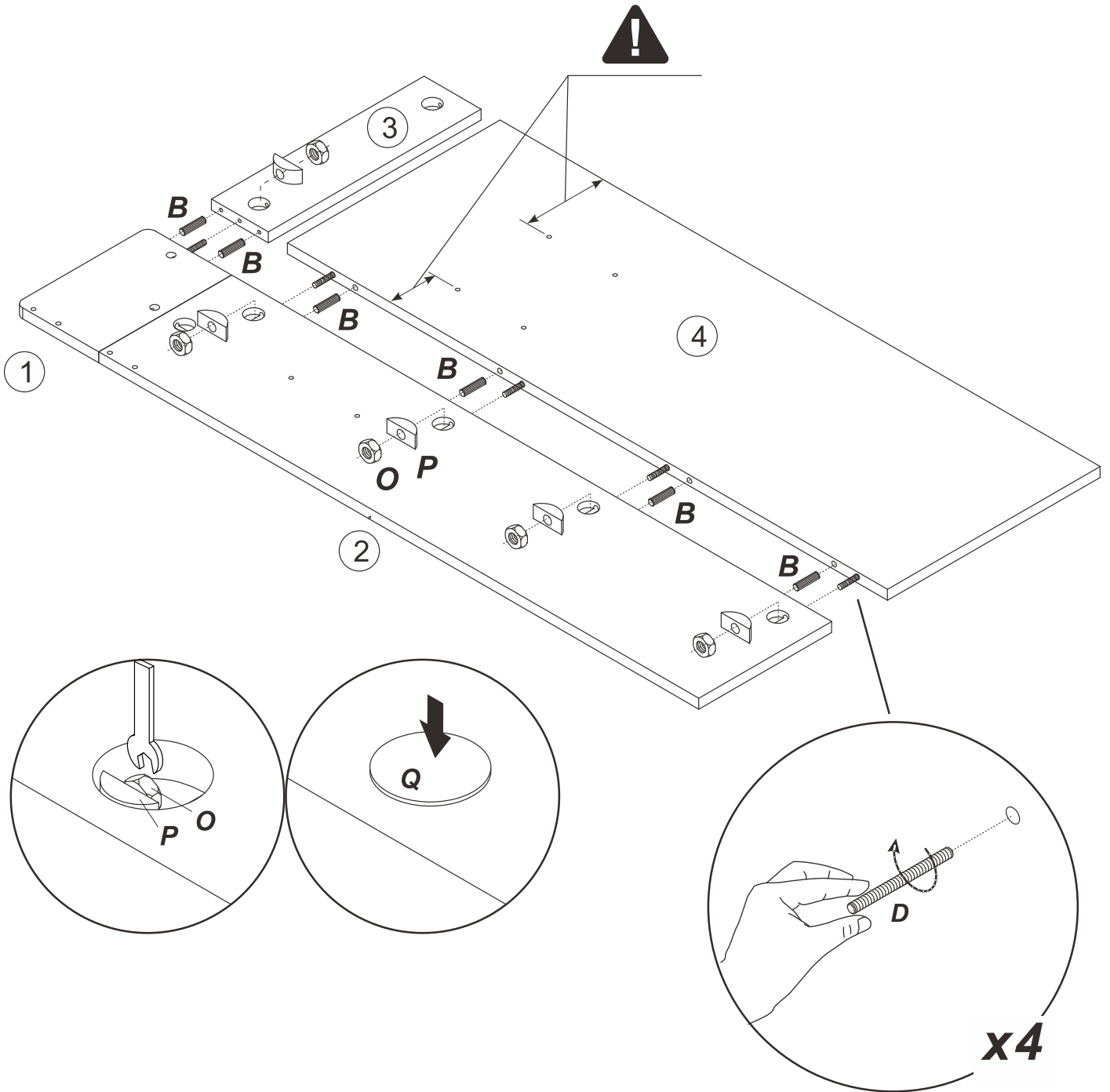
Px2








Qx2

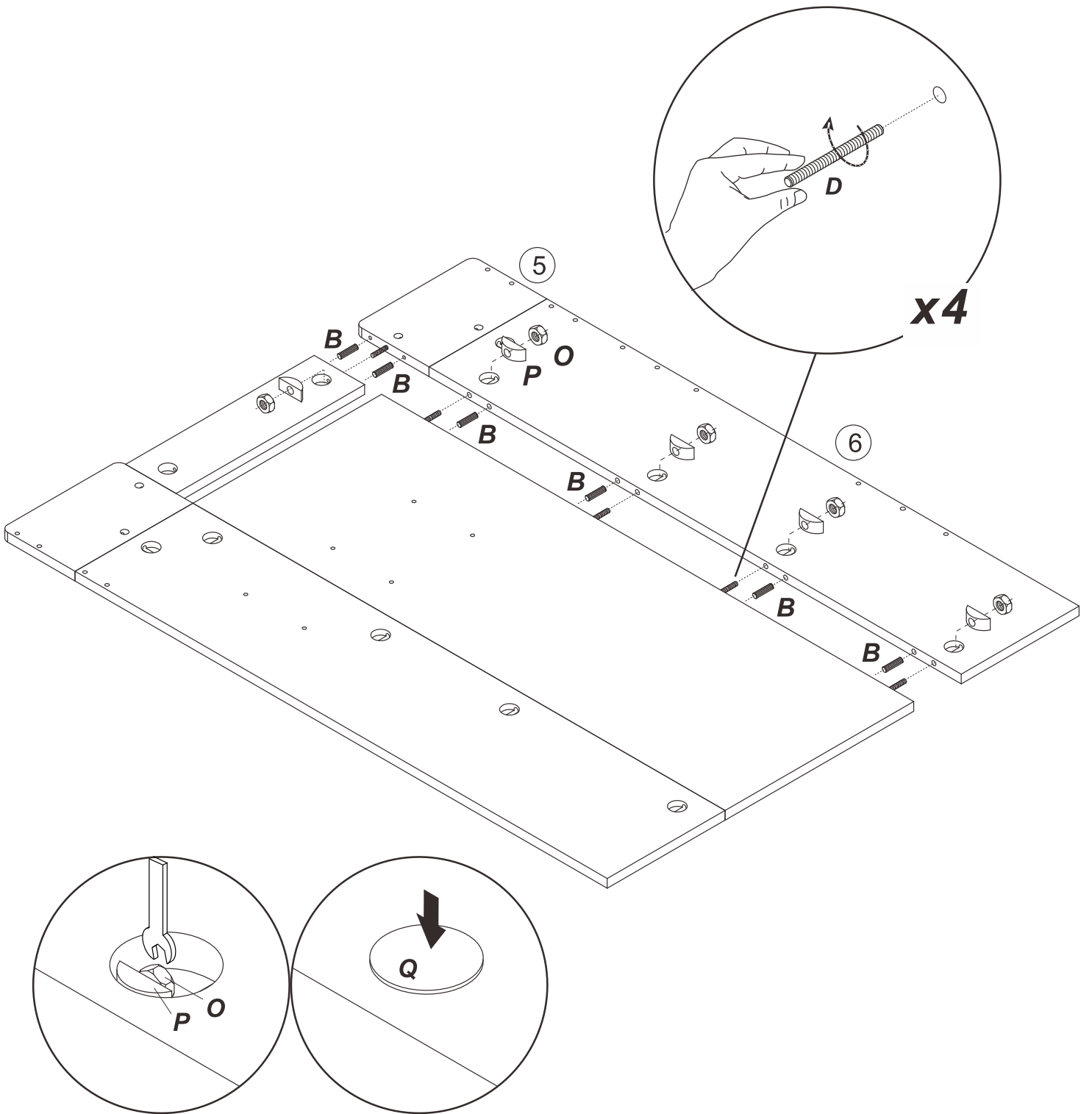


3.



Dx4	Bx6	Ox5	Px5	Qx5
				
M8*80		M8		

4.



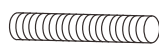
Dx4

Bx6

Ox5

Px5

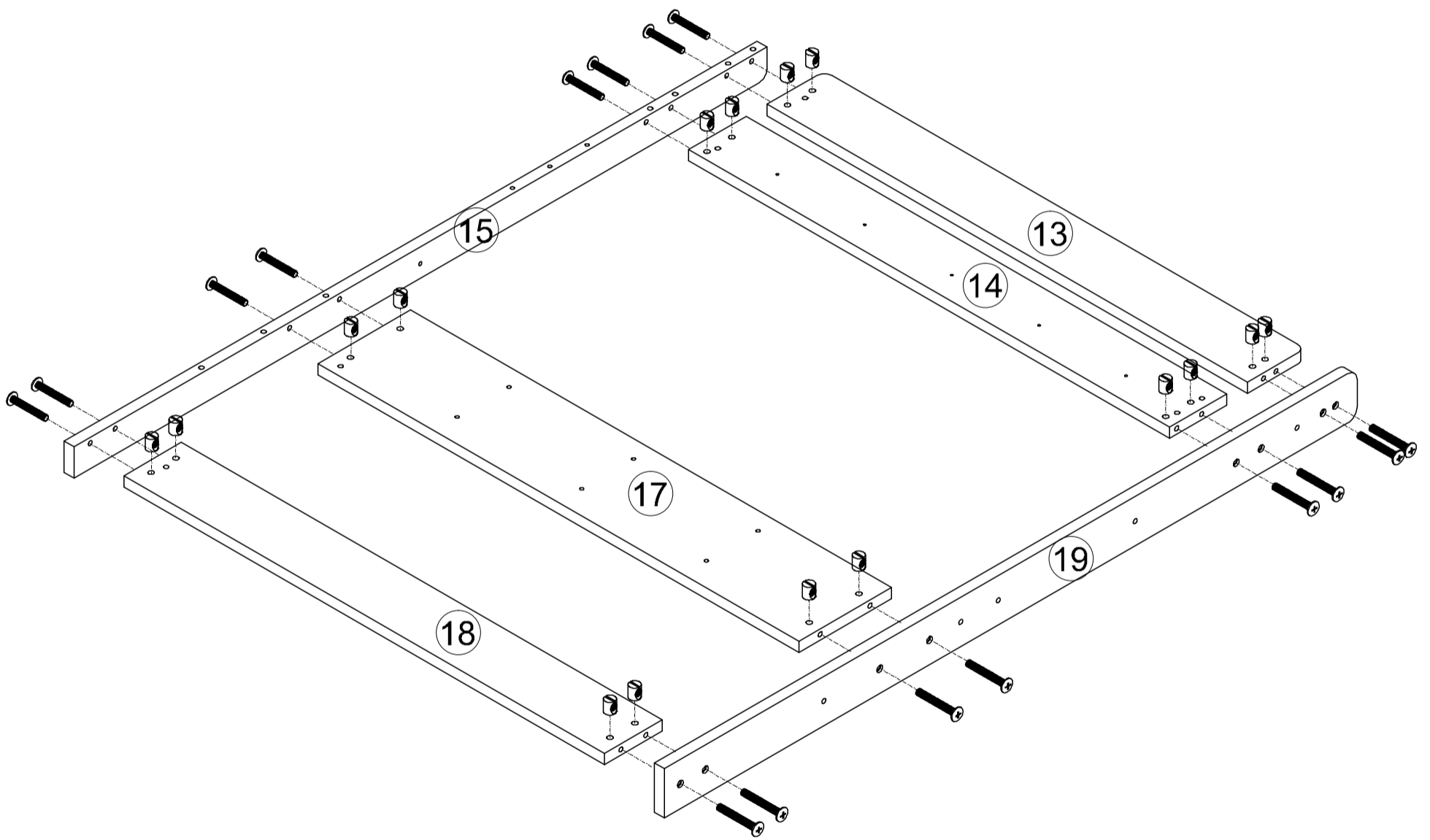
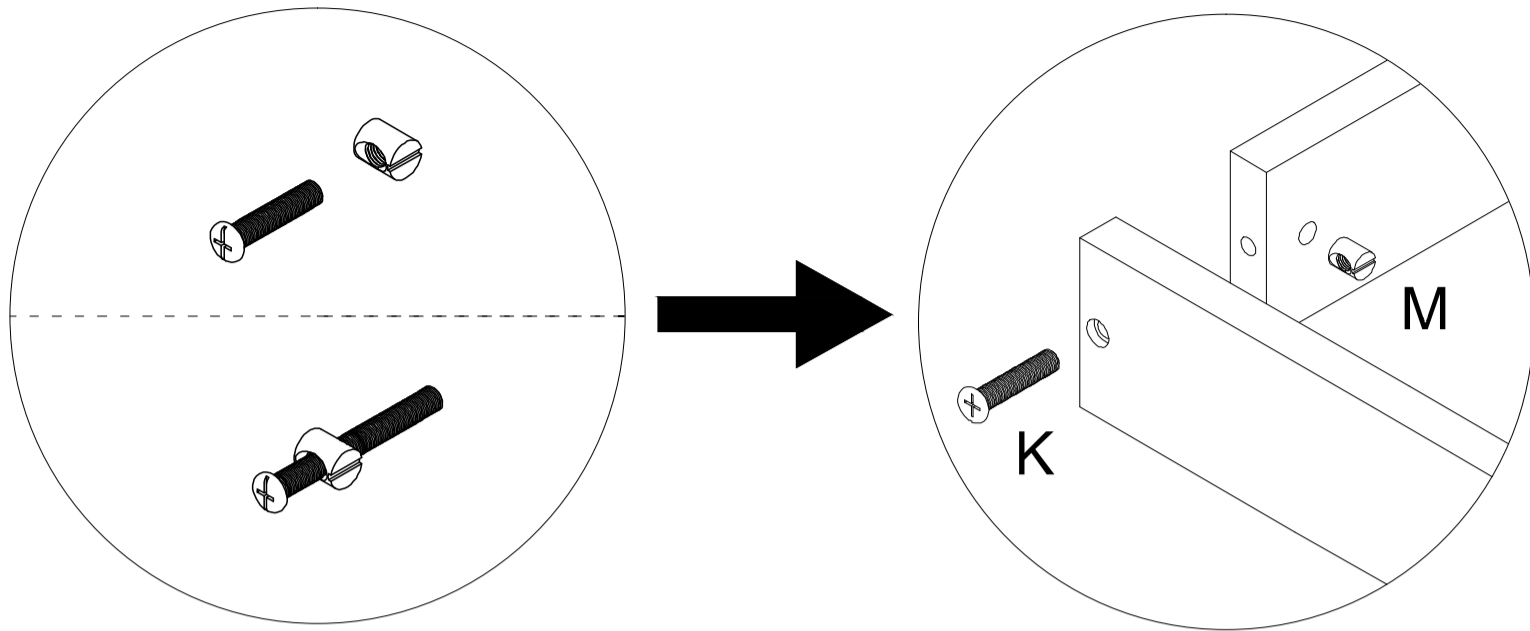
Qx5



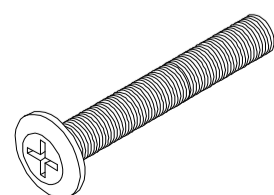
M8*80

M8

5.

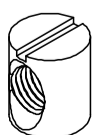


K x16



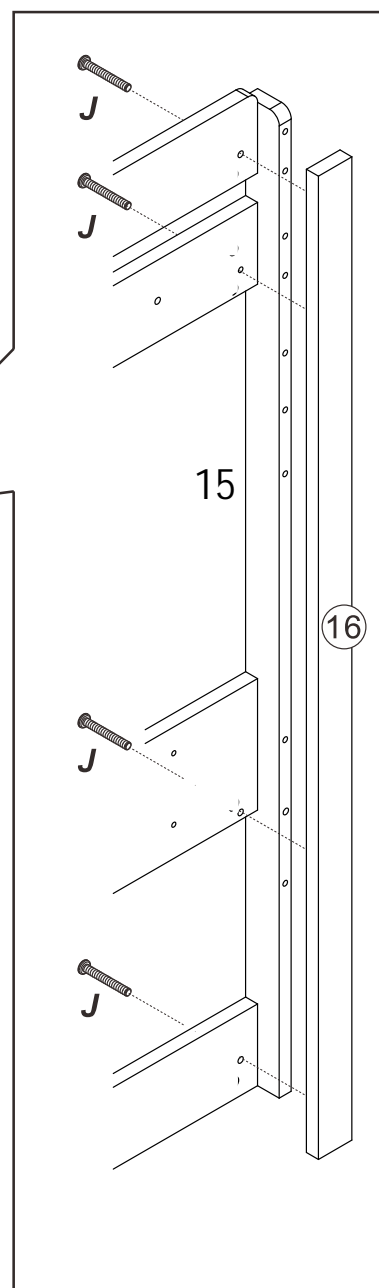
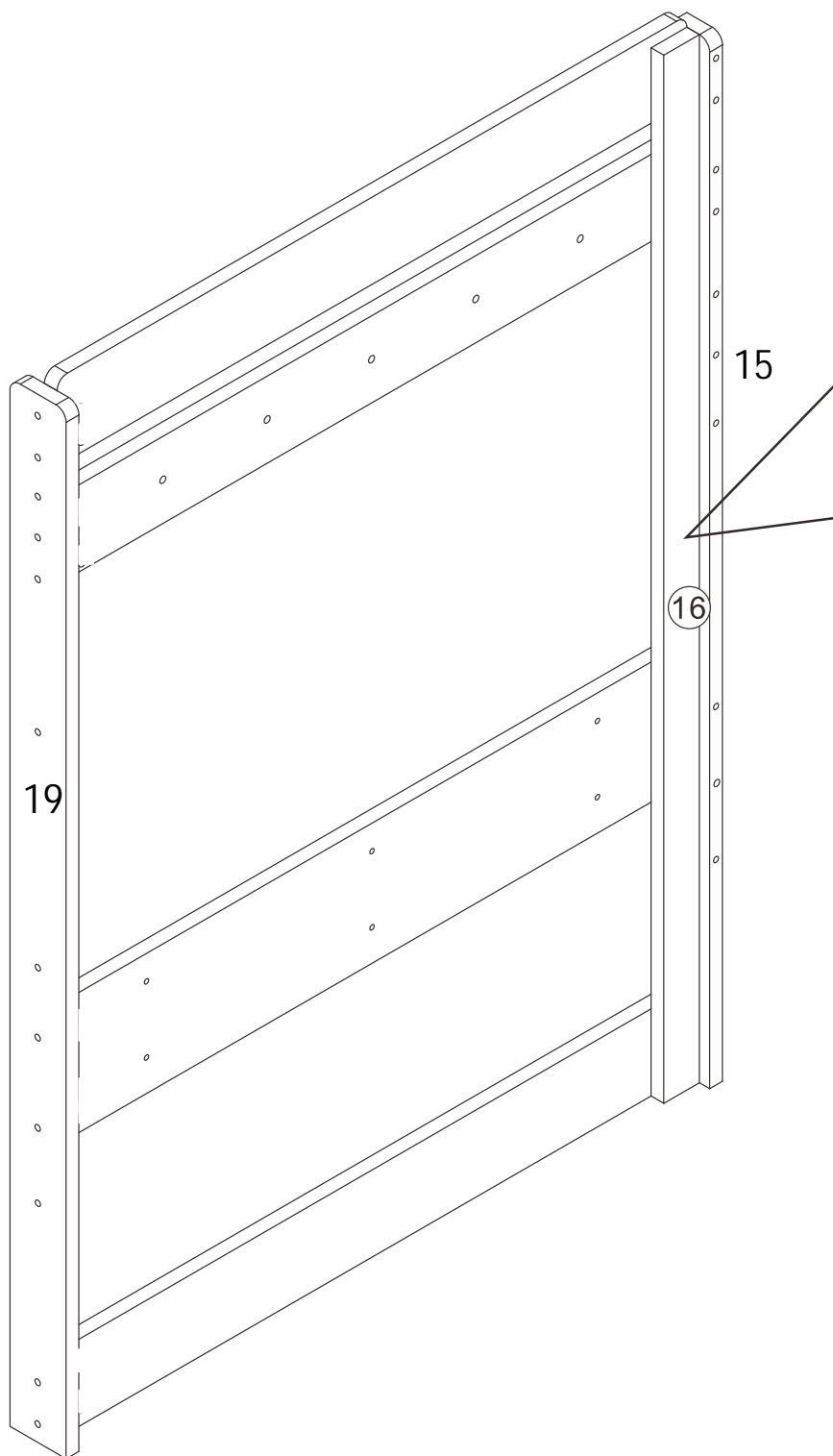
M8*55

M x16

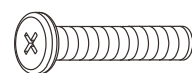


M8*15

6.

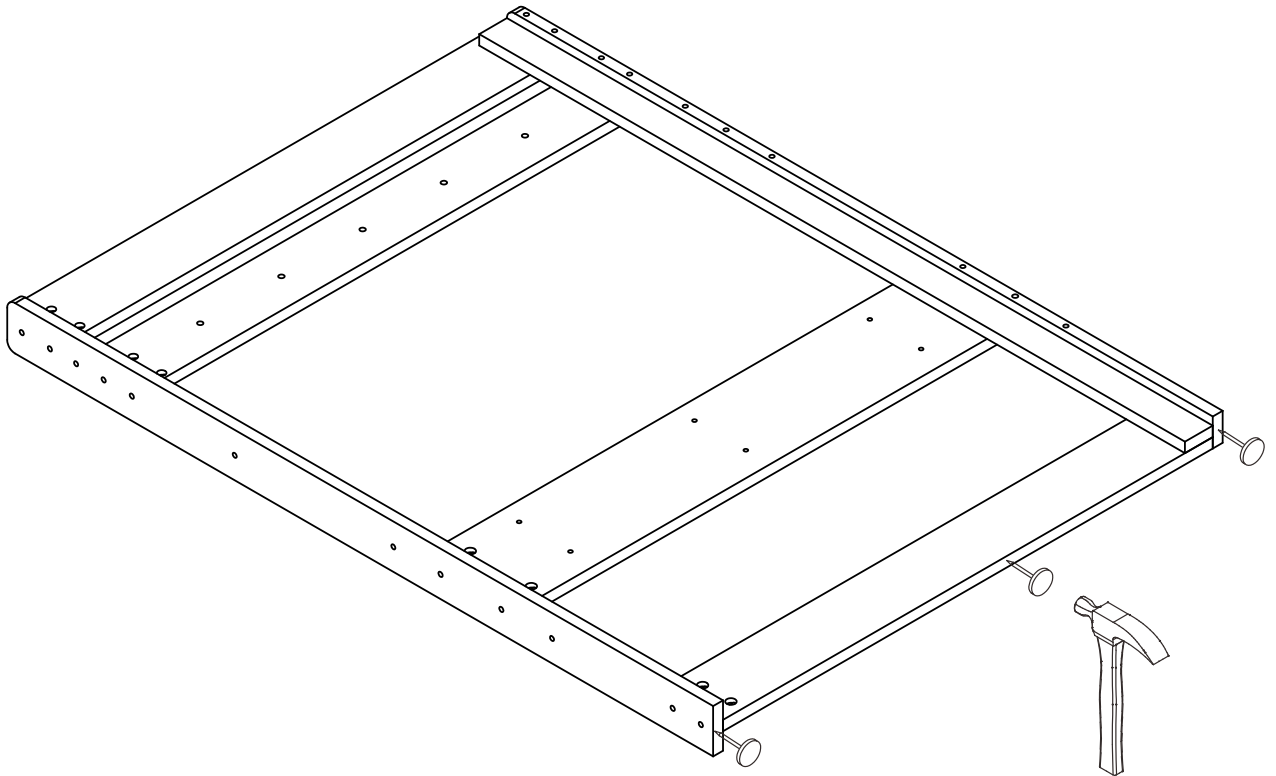
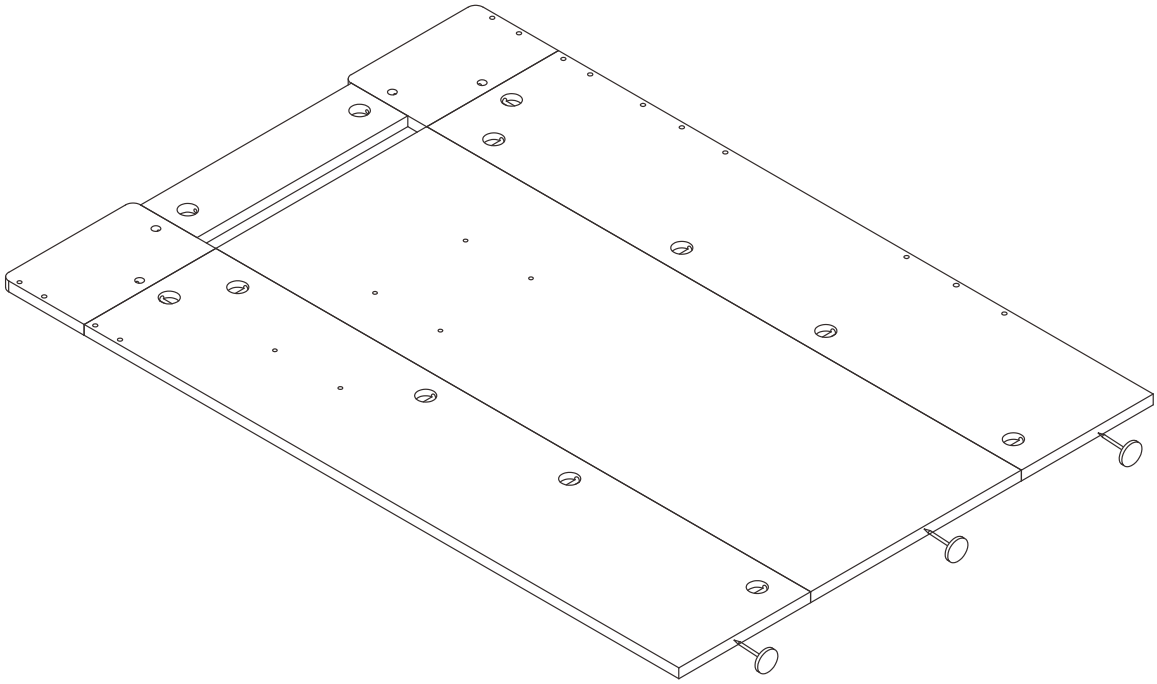


Jx4



M8*40

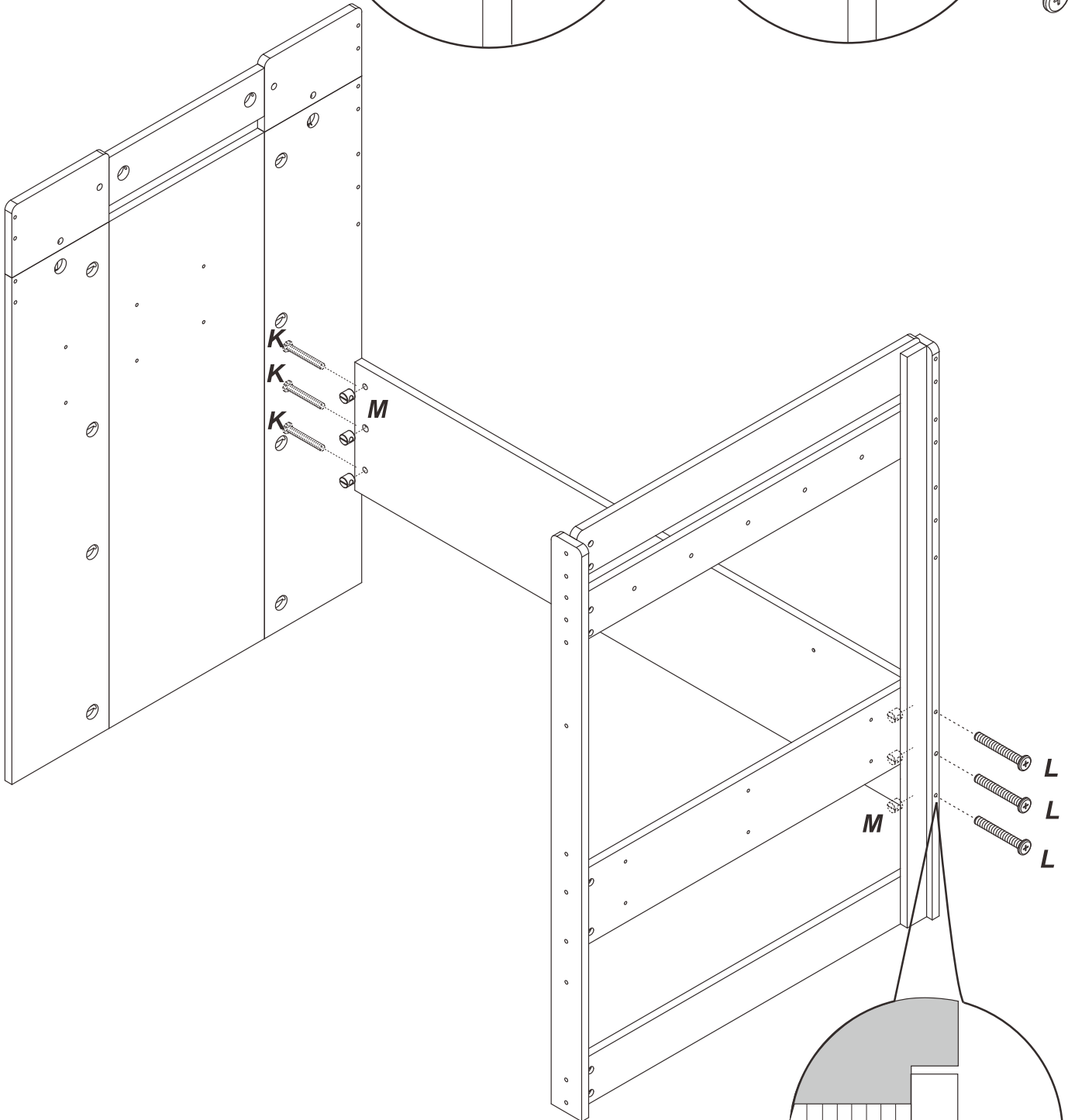
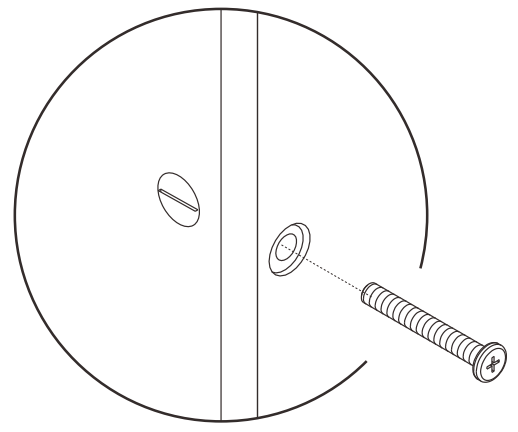
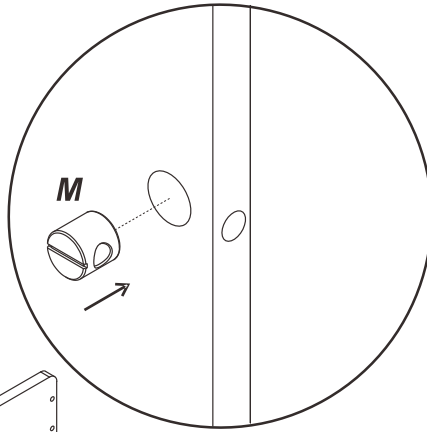
7.



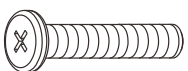
Ux 6



8.

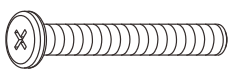


Kx3



M8*55

Lx3



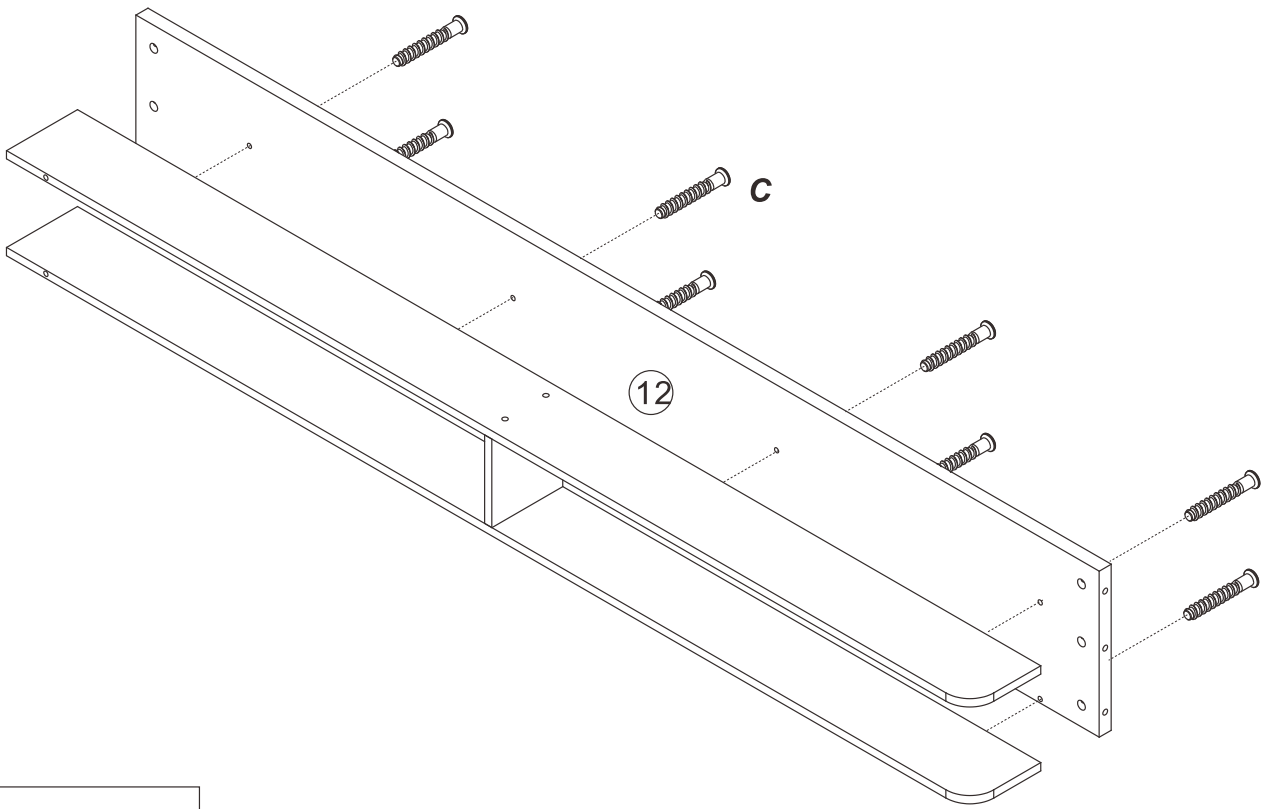
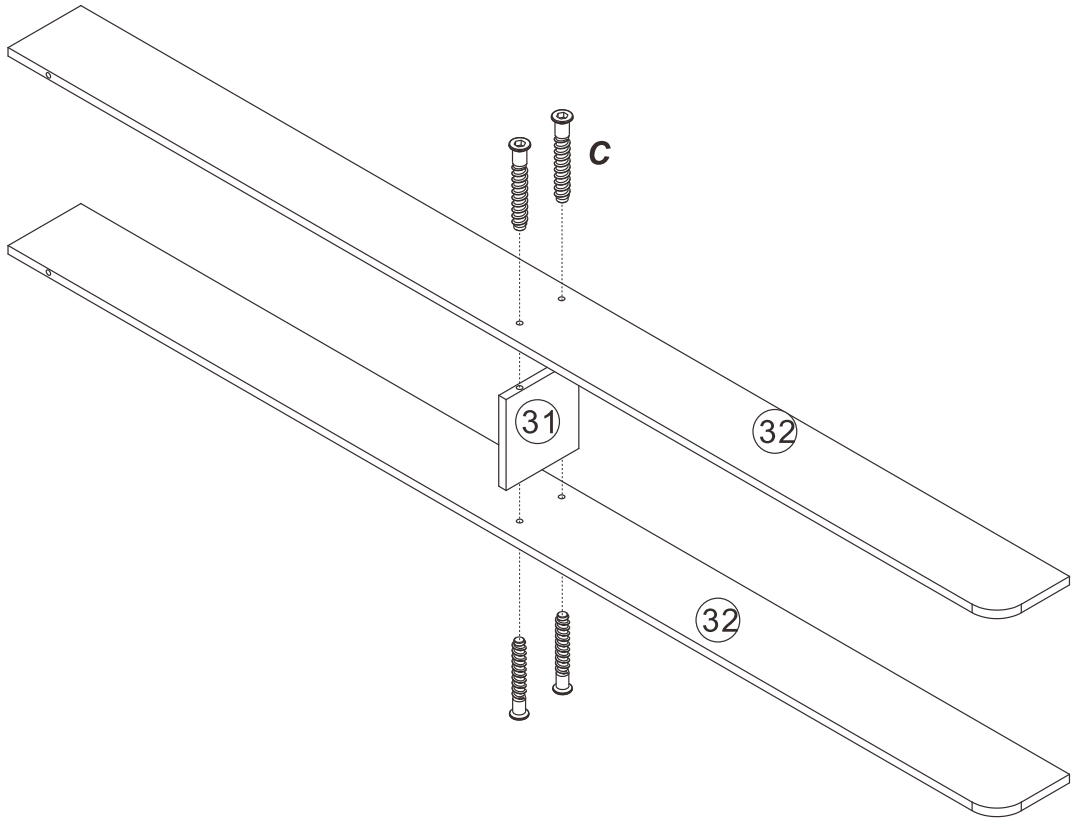
M8*90

Mx6

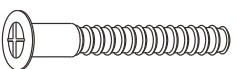


M8*15

9.

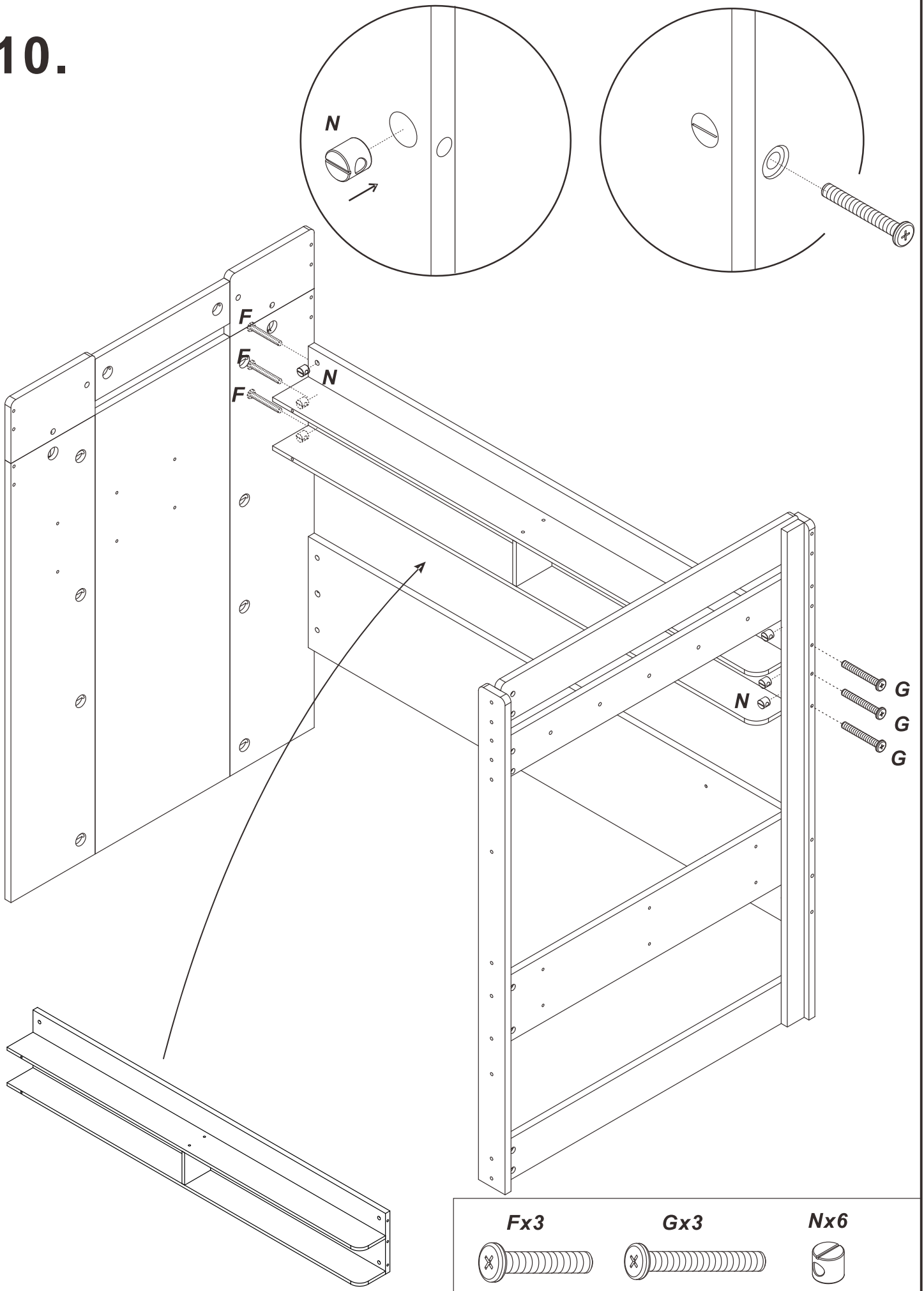


Cx12

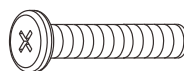


M7*38

10.

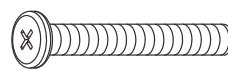


Fx3



M6*50

Gx3



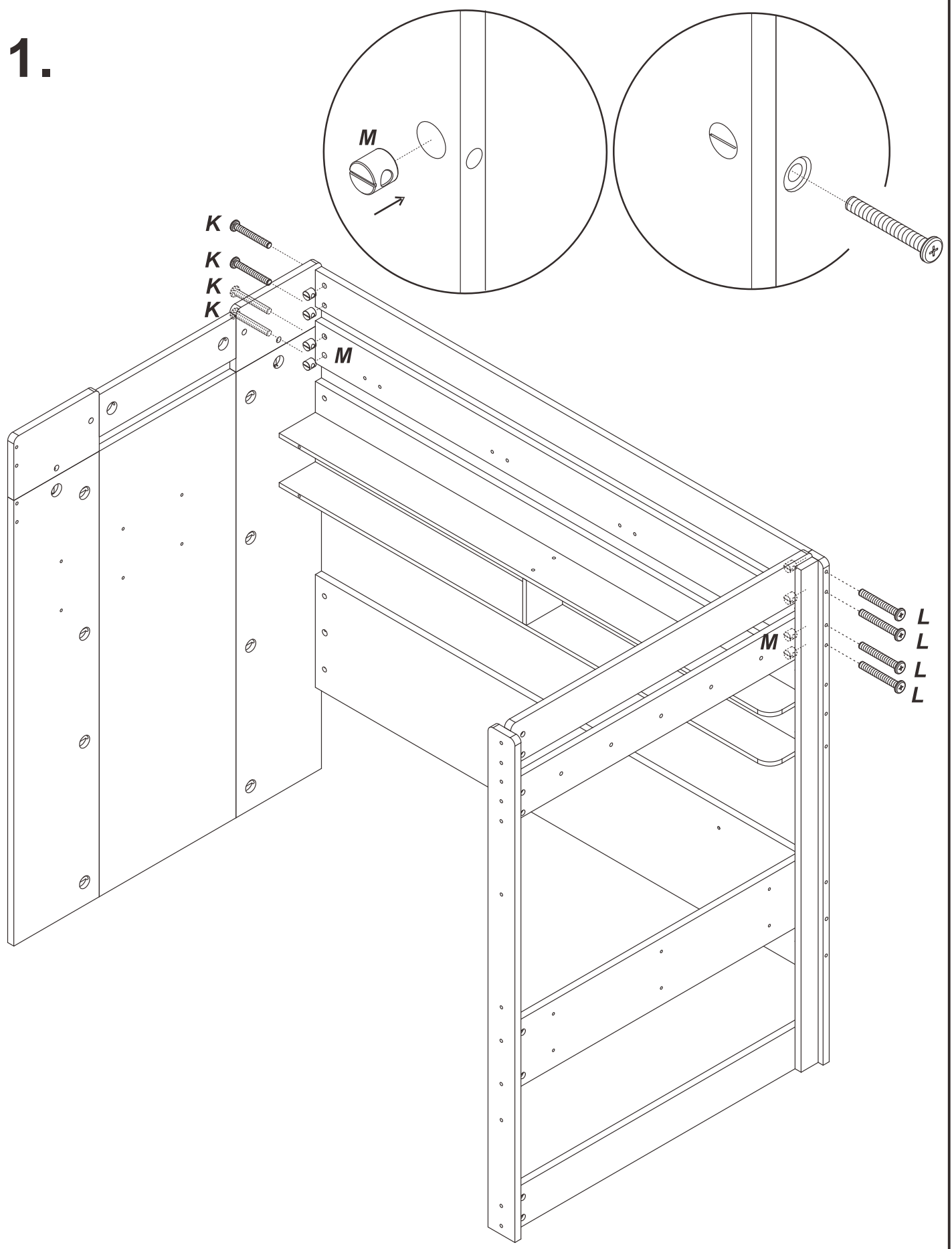
M6*90

Nx6



M6*12

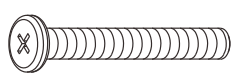
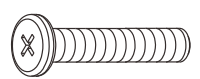
11.



Kx4

Lx4

Mx8

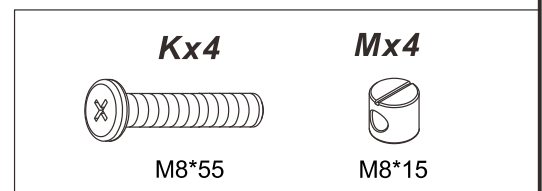
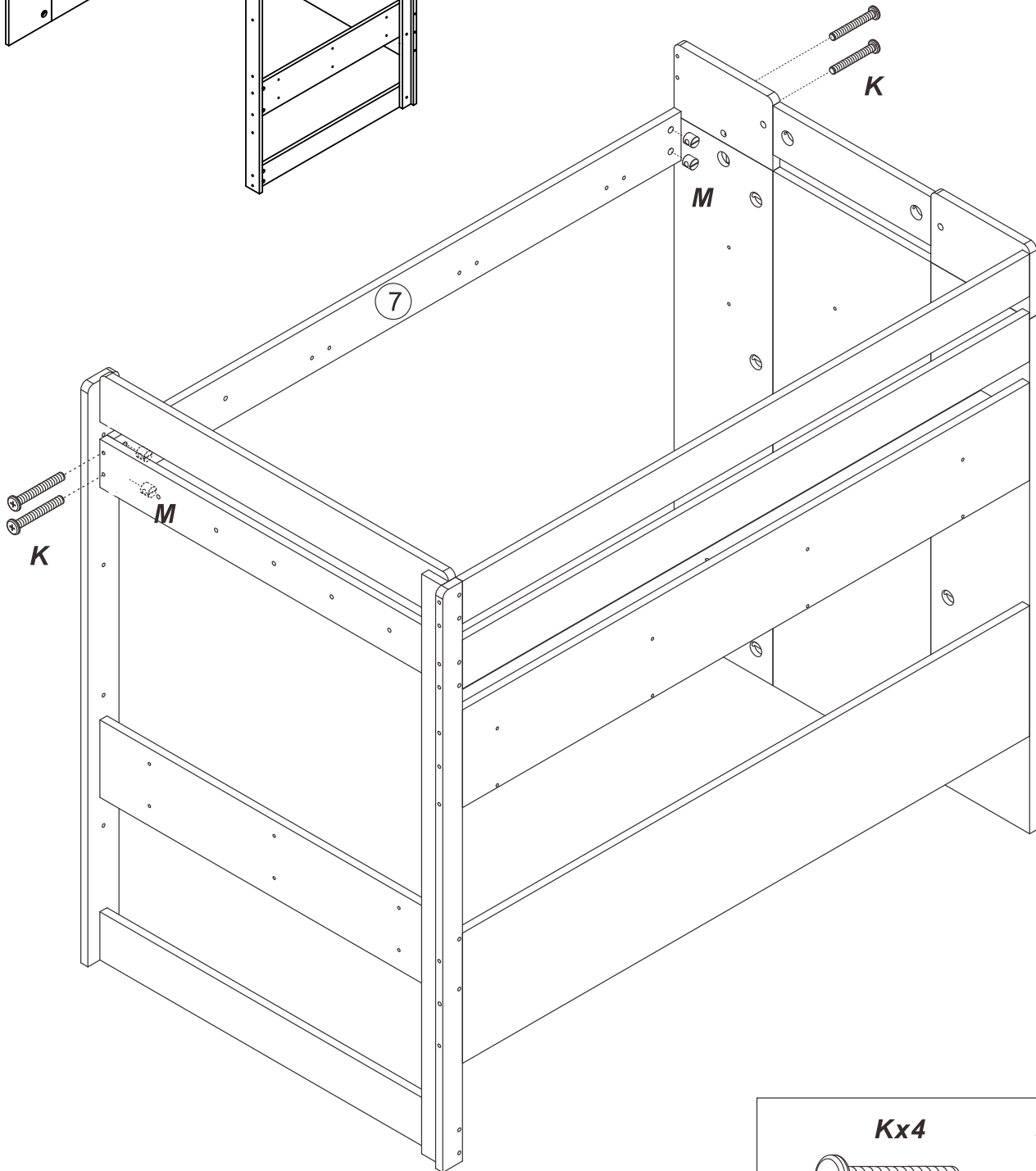
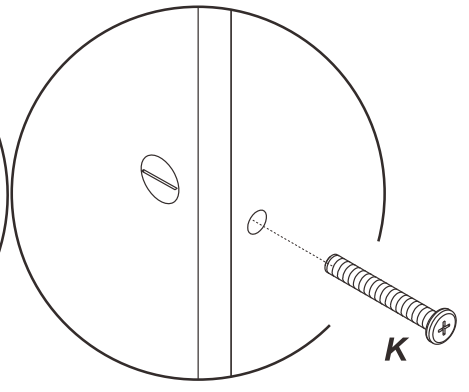
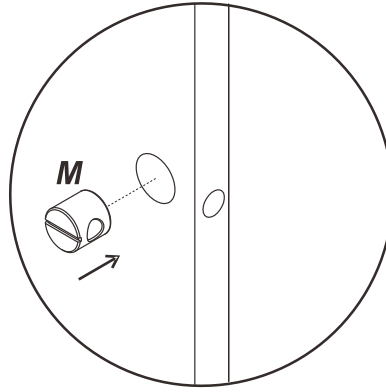
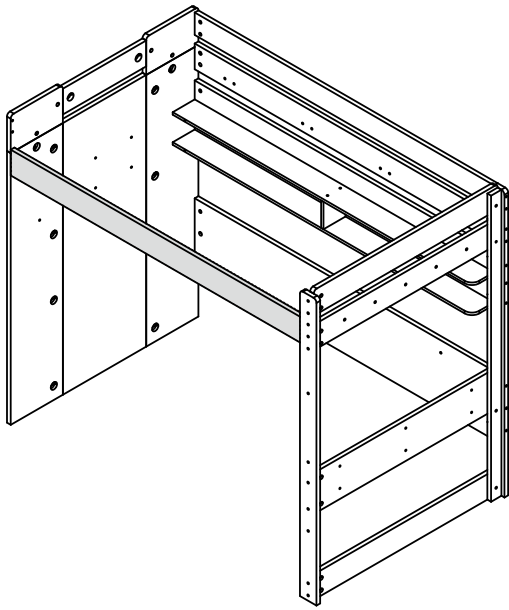


M8*55

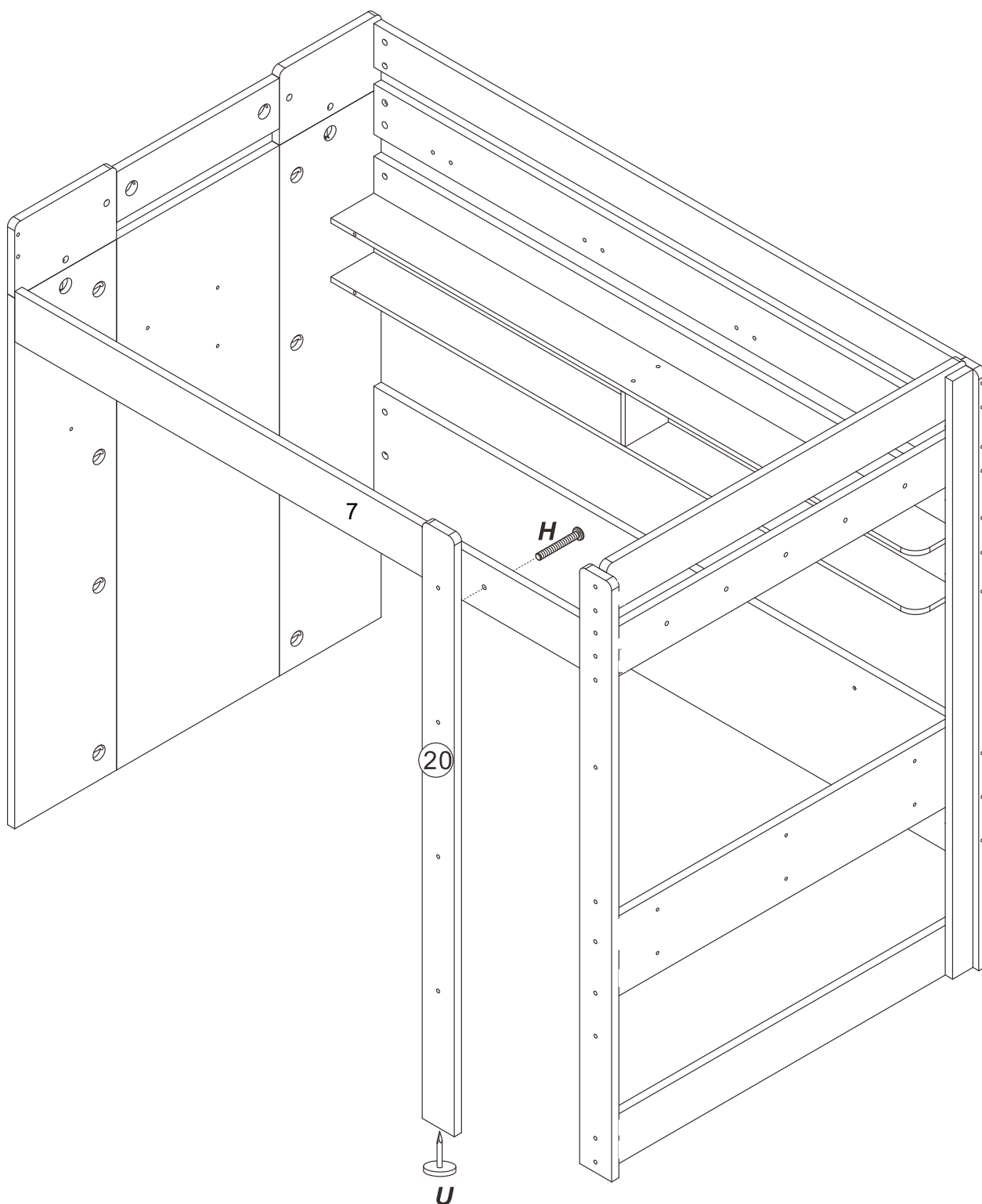
M8*90

M8*15

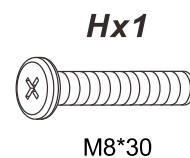
12.



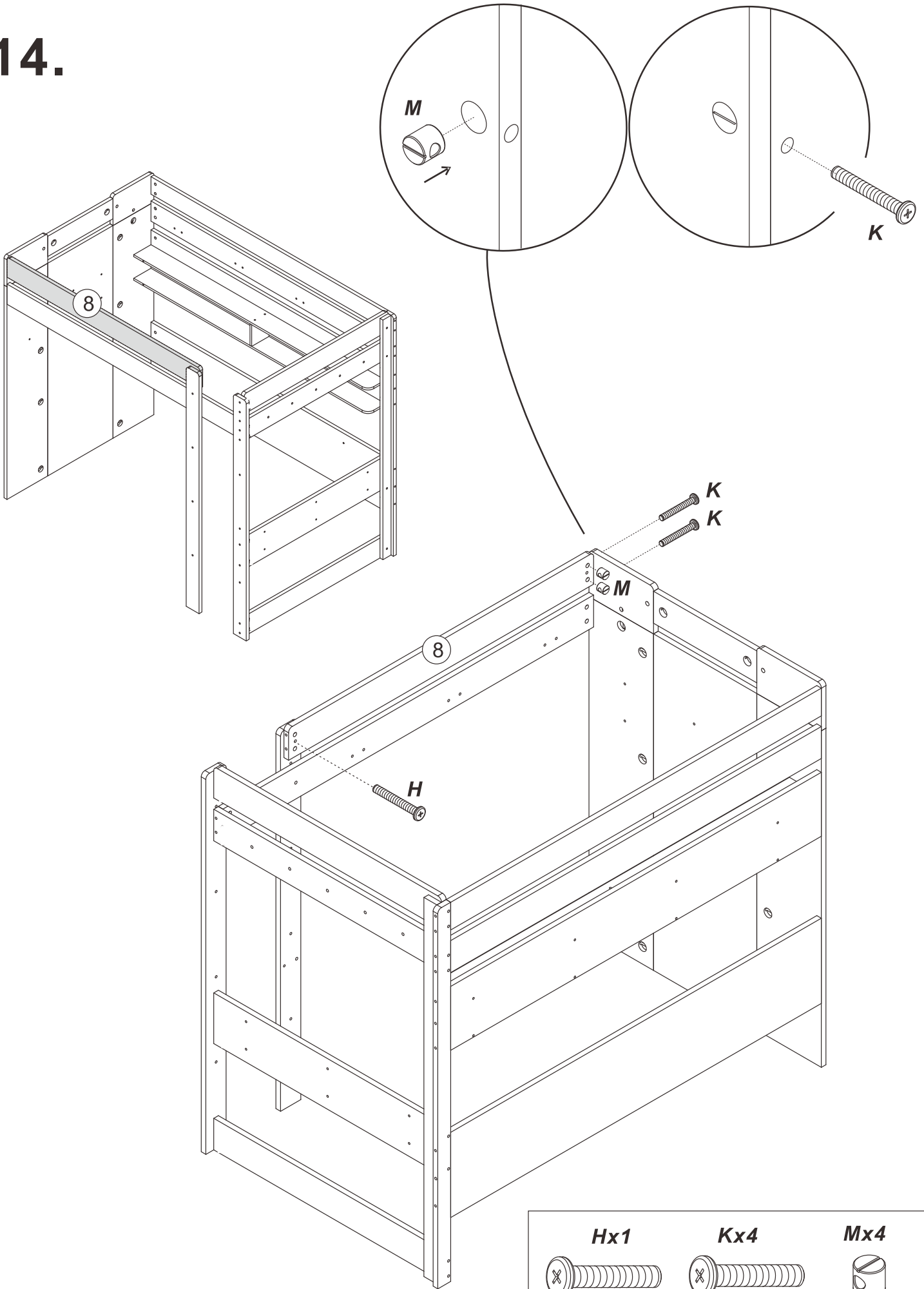
13.

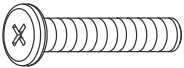
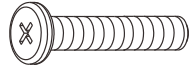



Note: on panel 7, the holes are not punched through so that the ladder side can be switched as needed, please use drill bit or the provided wood screw (R) to drill through to widen the holes.

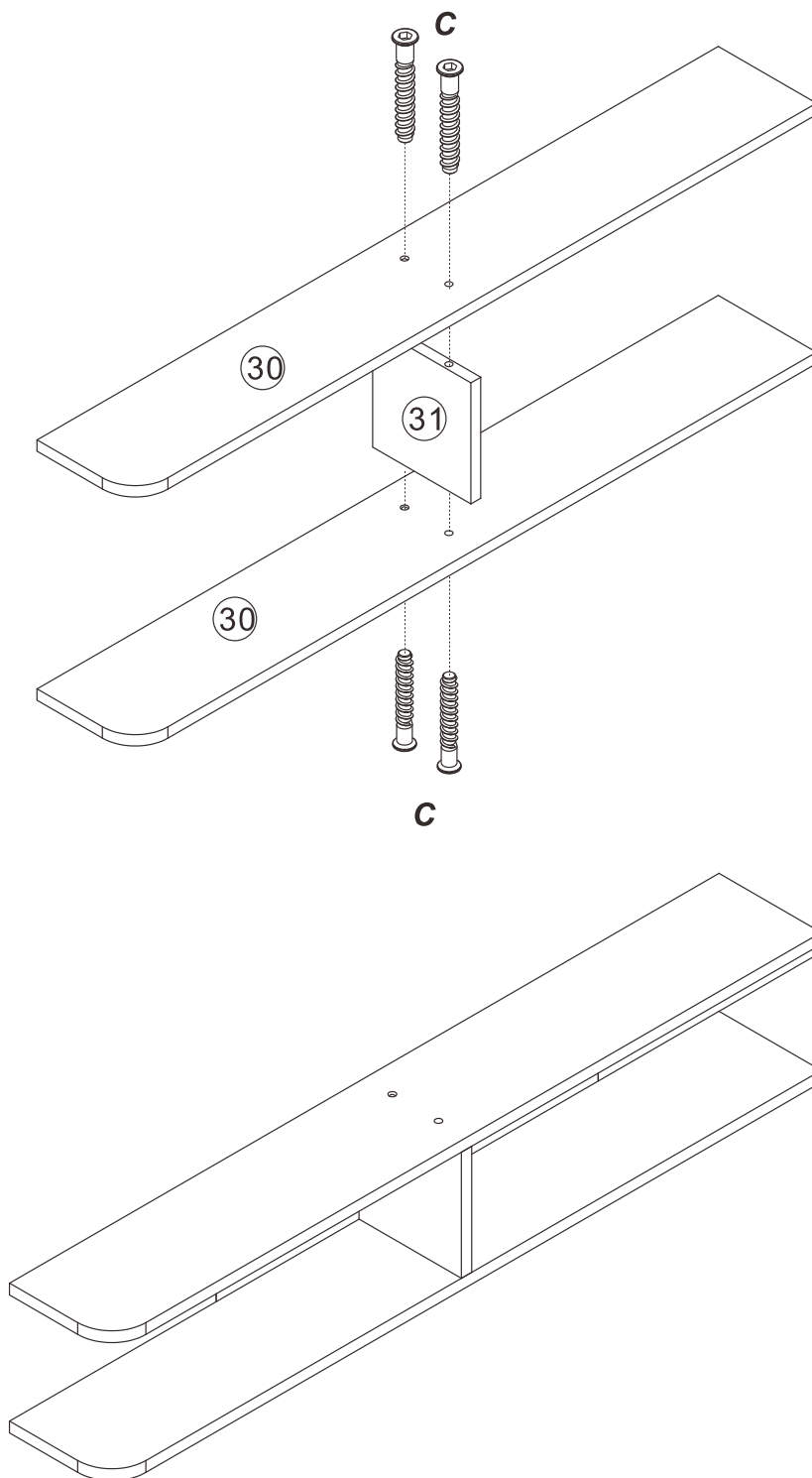


14.

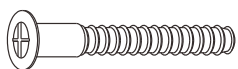


<i>Hx1</i>	<i>Kx4</i>	<i>Mx4</i>
		
M8*30	M8*55	M8*15

15.

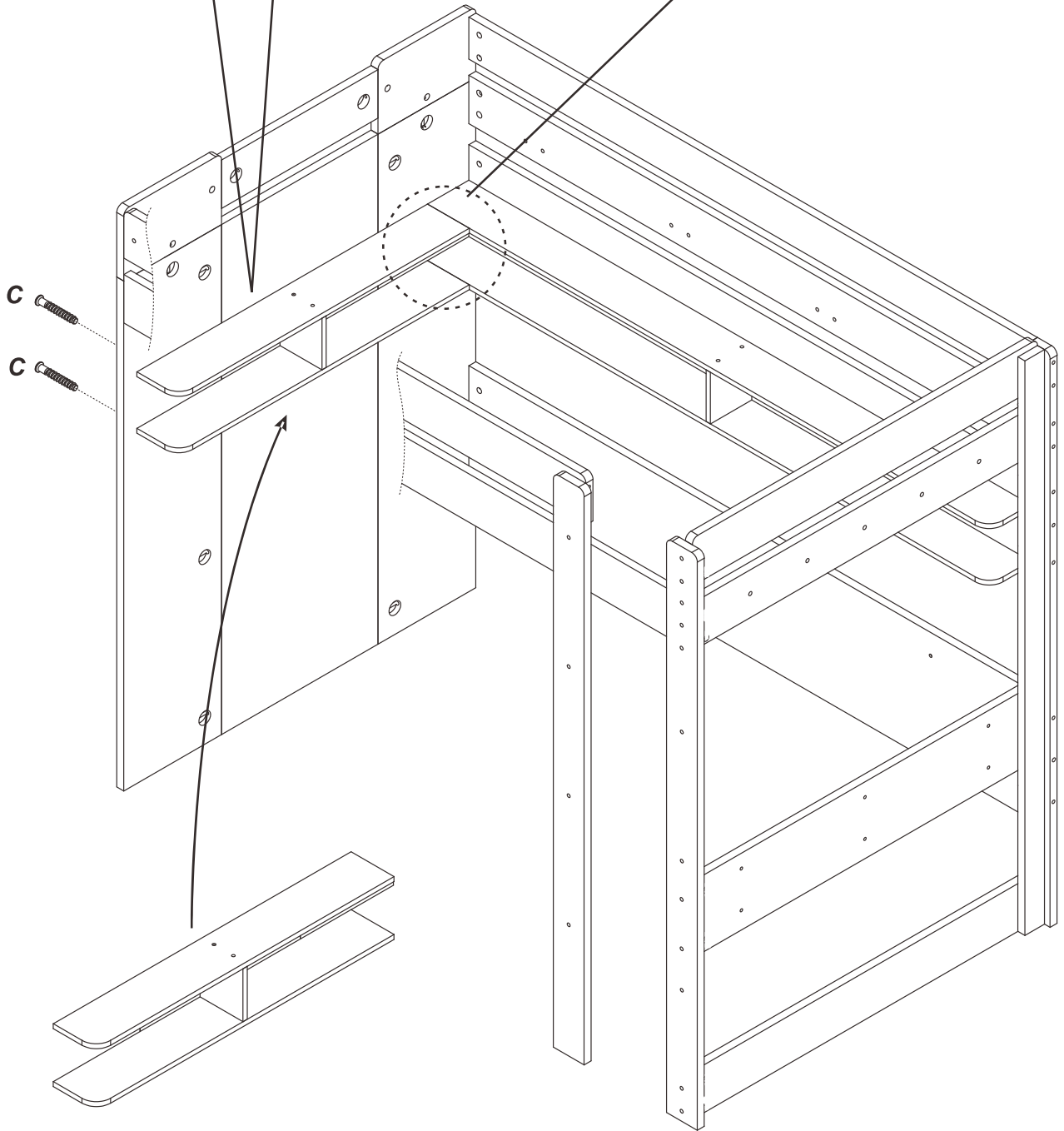
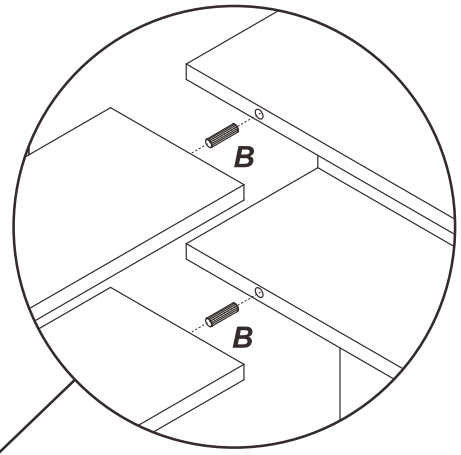
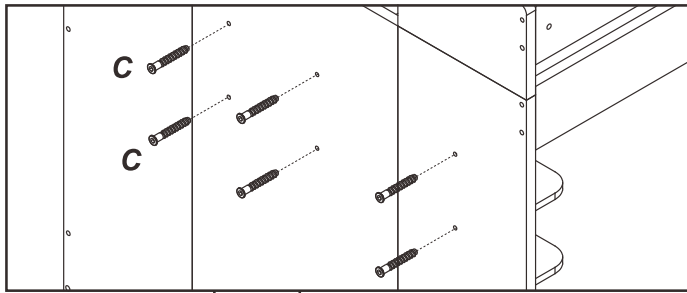


Cx4



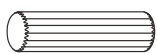
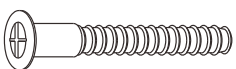
M7*38

16.



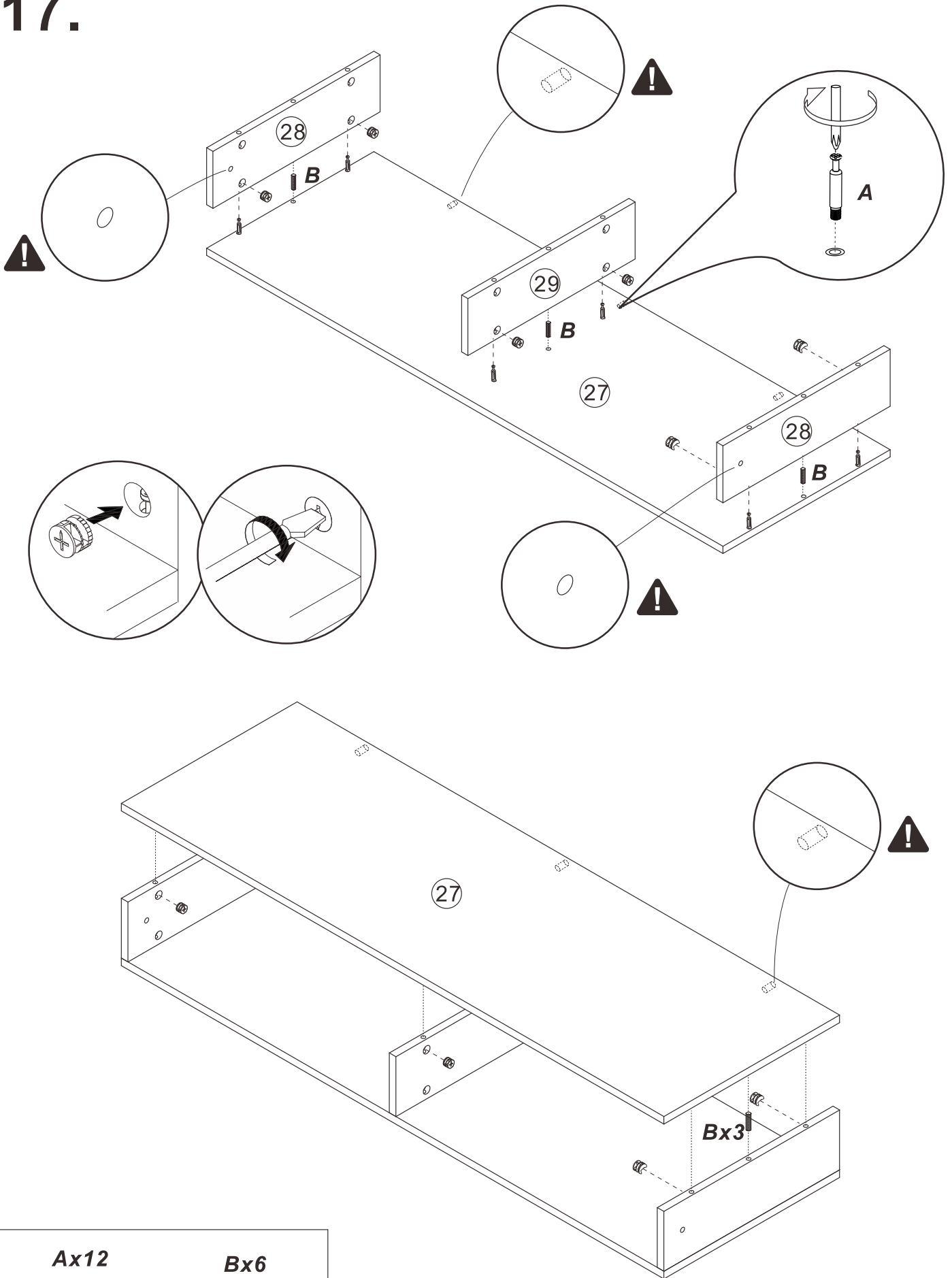
Cx4

Bx2



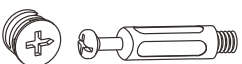
M7*38

17.

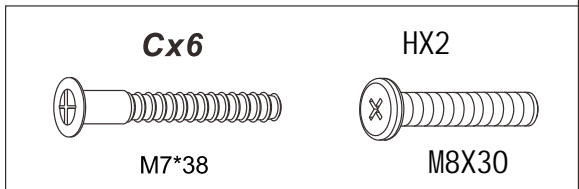
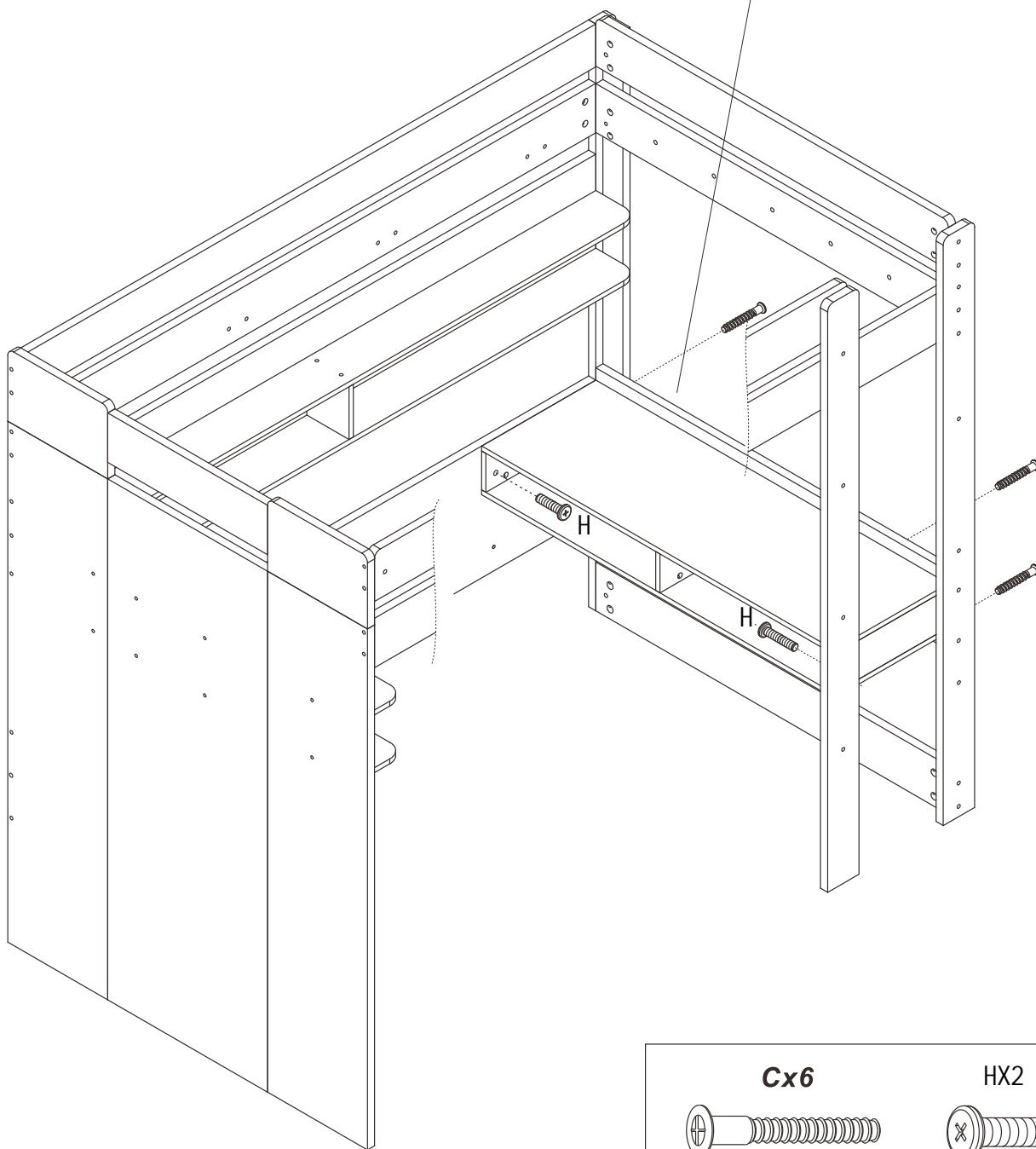
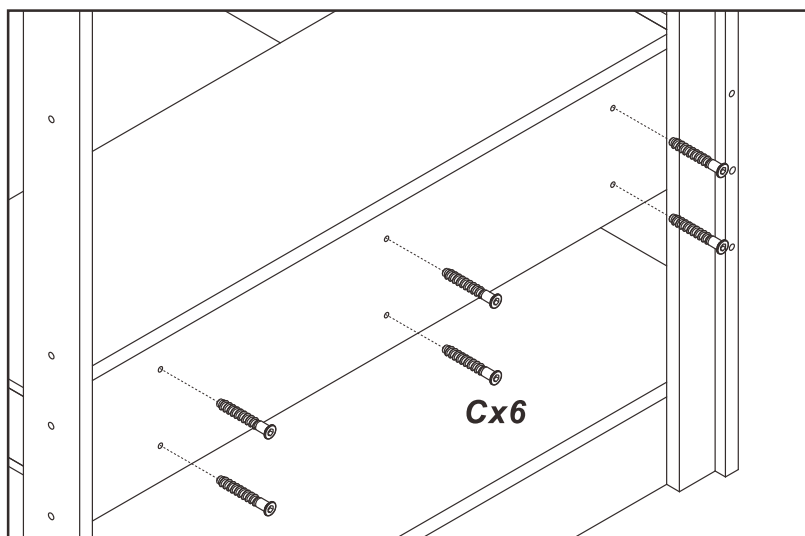


Ax12

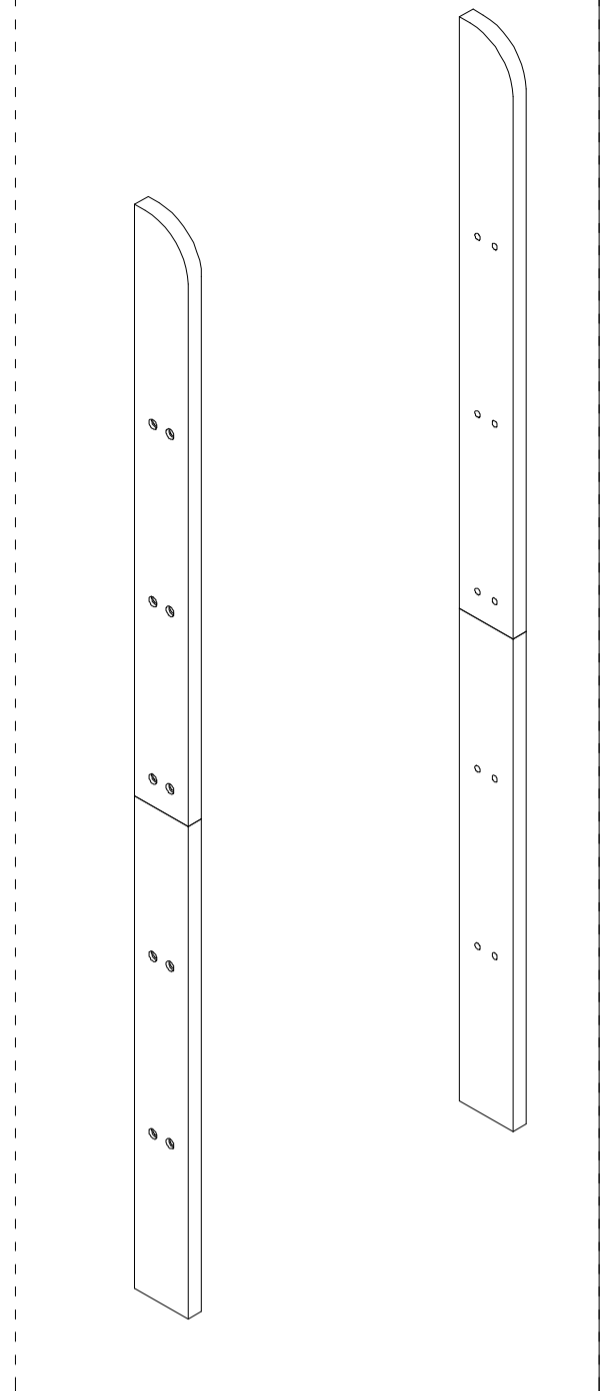
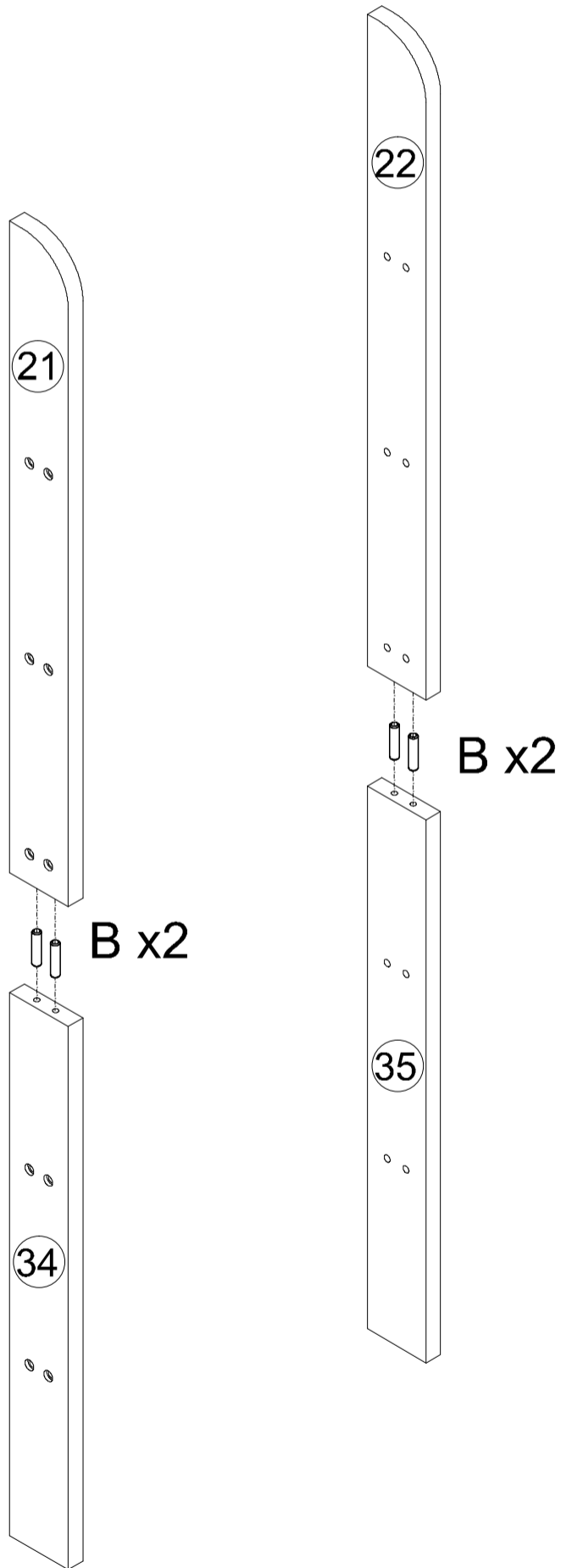
Bx6



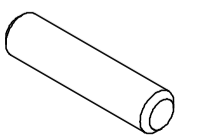
18.



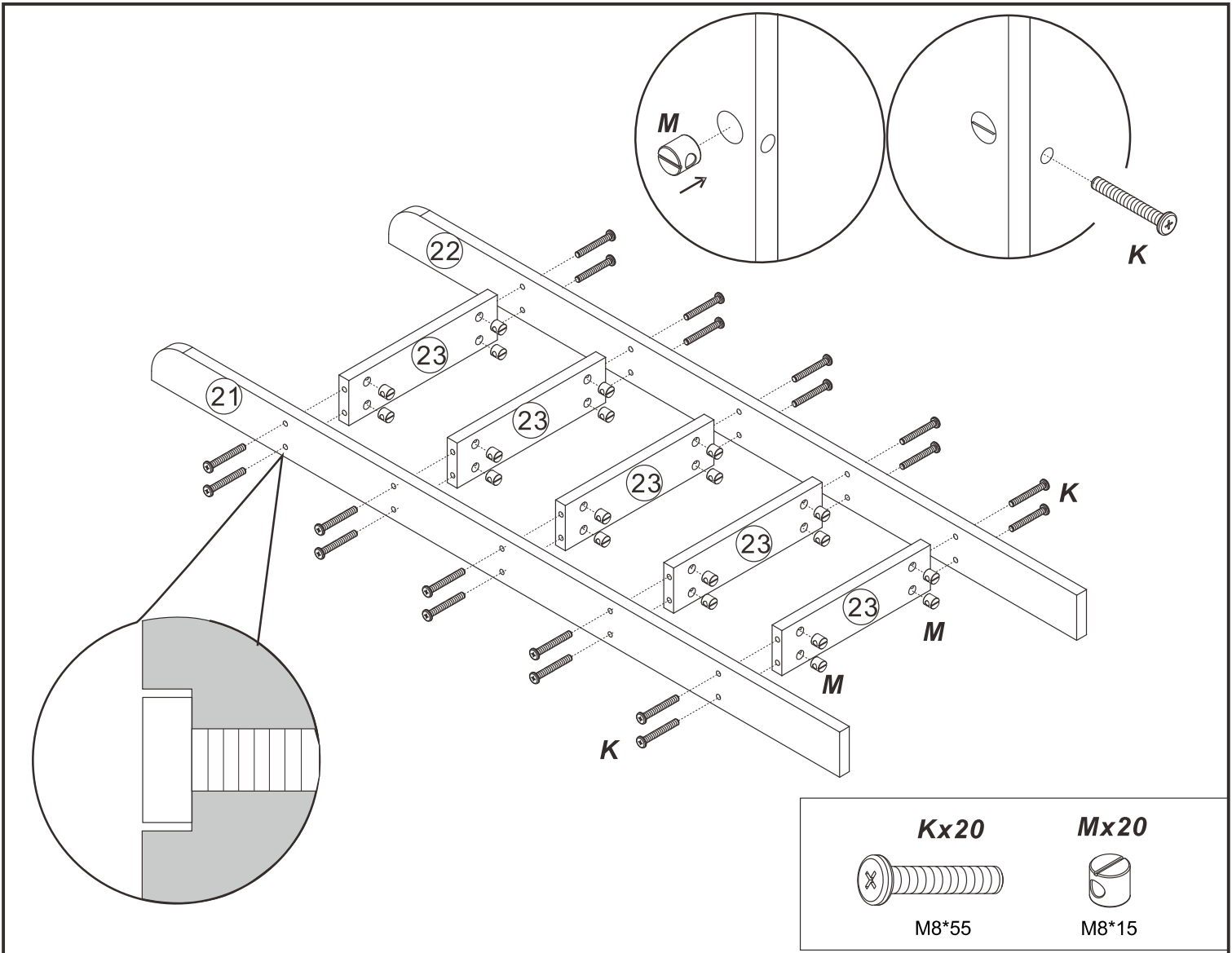
19.

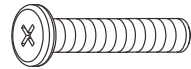



B x4

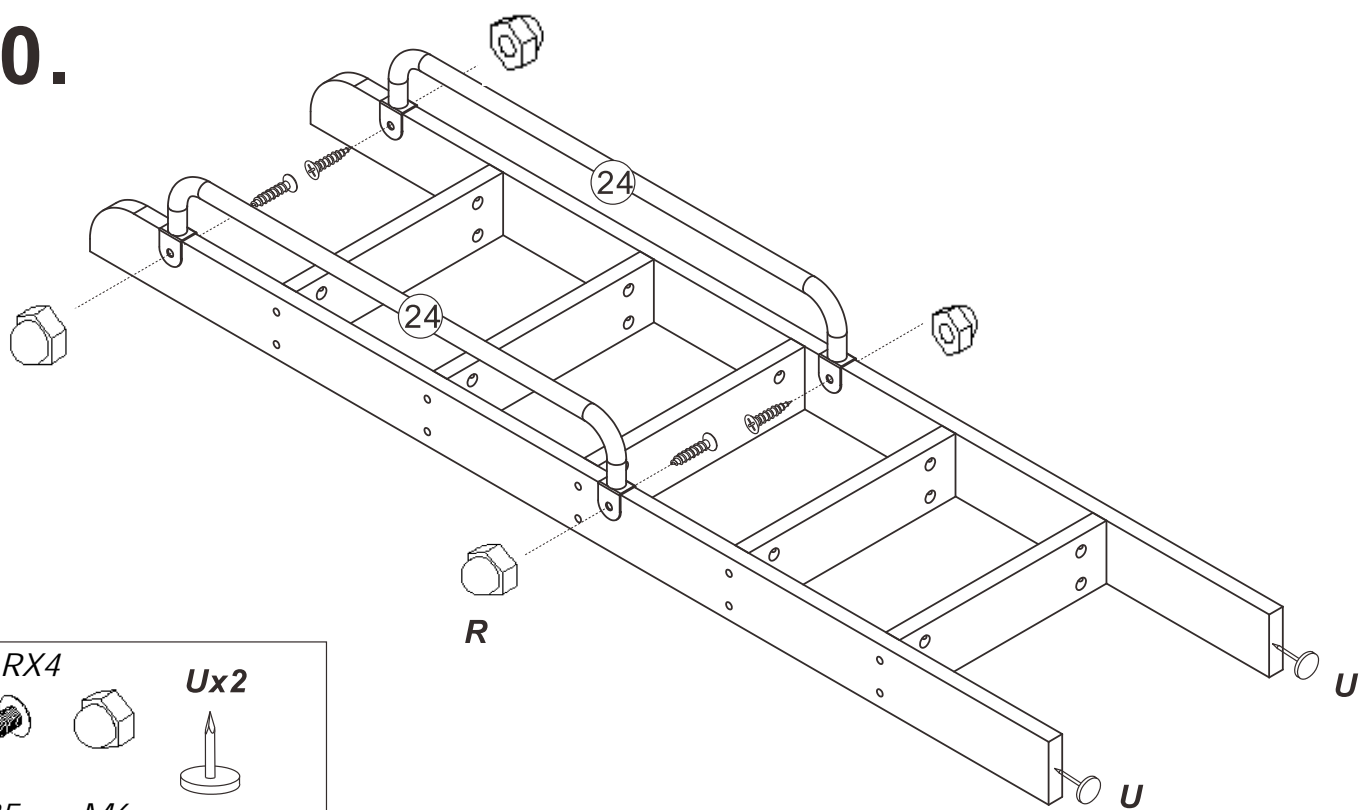





Ø8*30



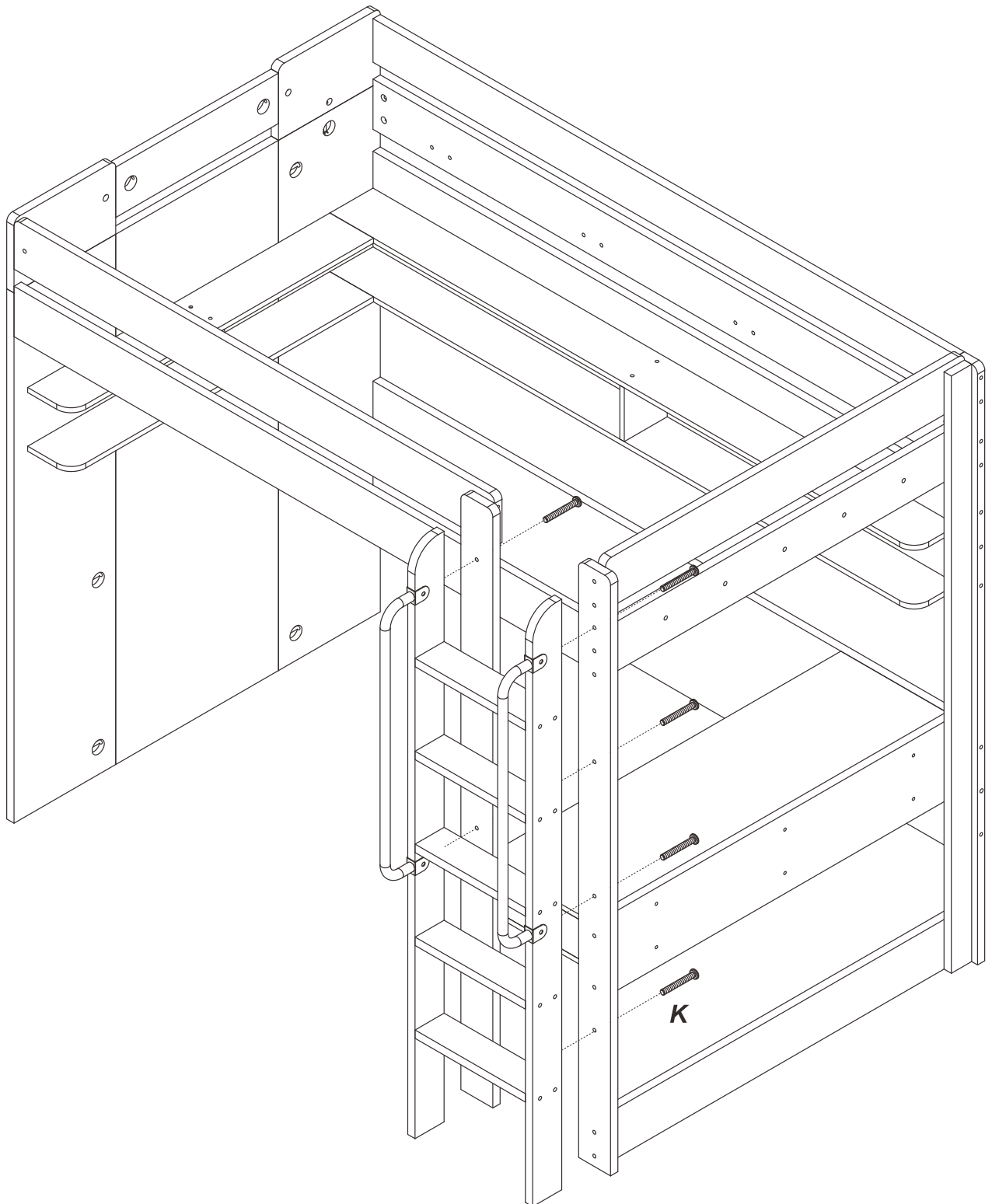
Kx20	Mx20
	
M8*55	M8*15

20.

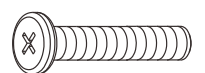


RX4	Ux2
	
6X35	M6
	

21.

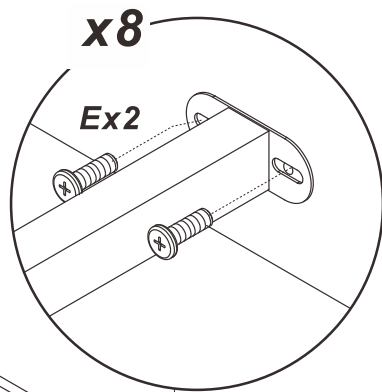
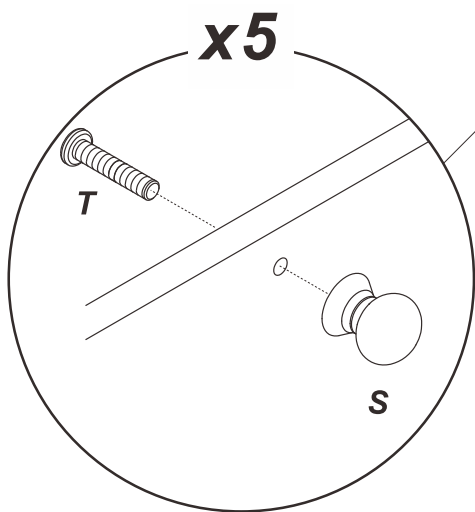
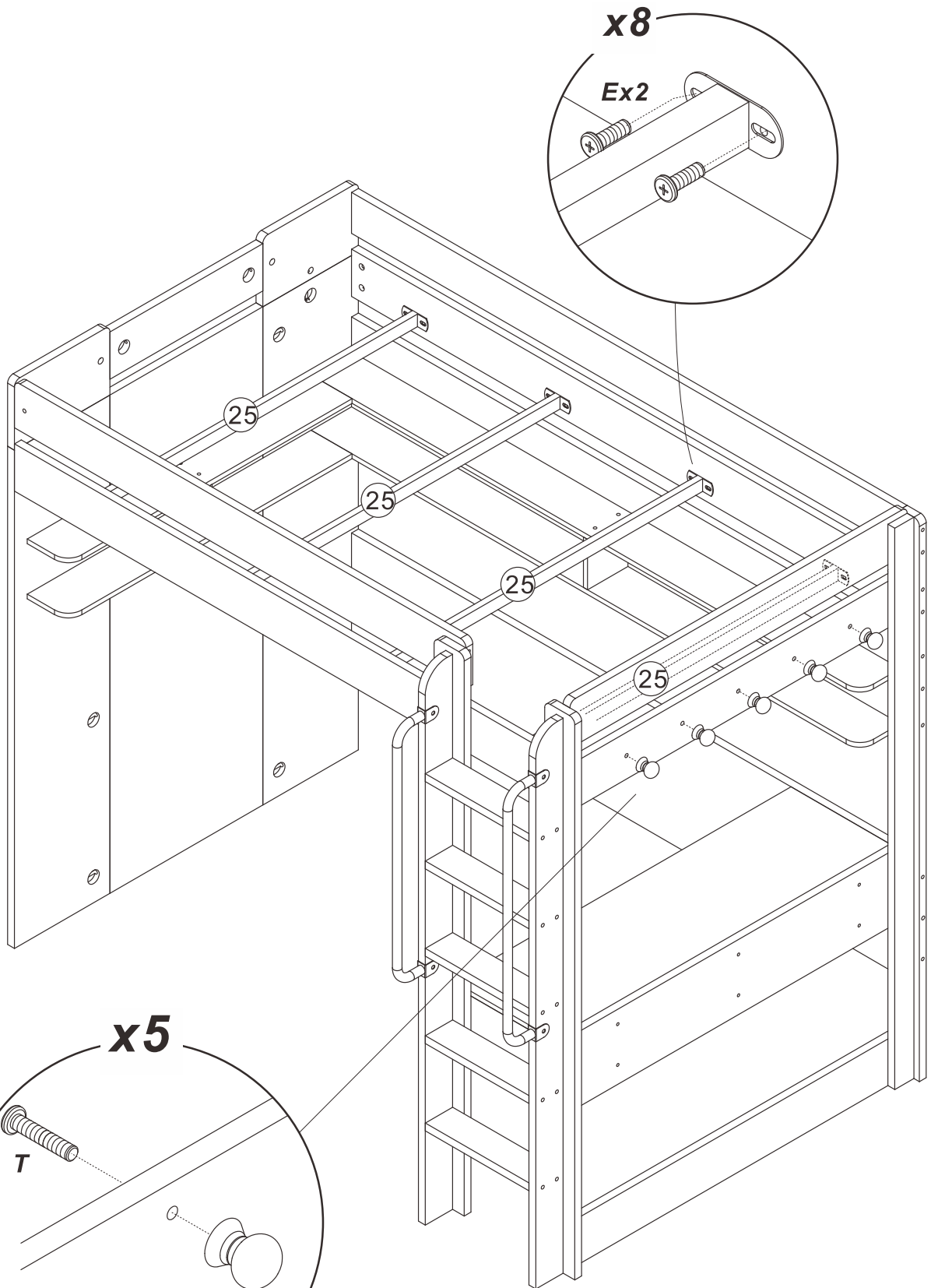


Kx8



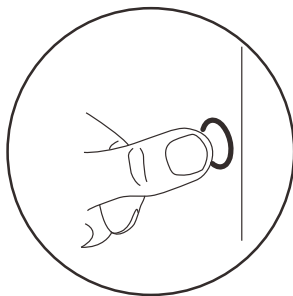
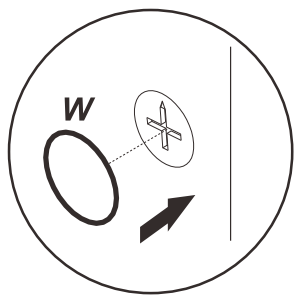
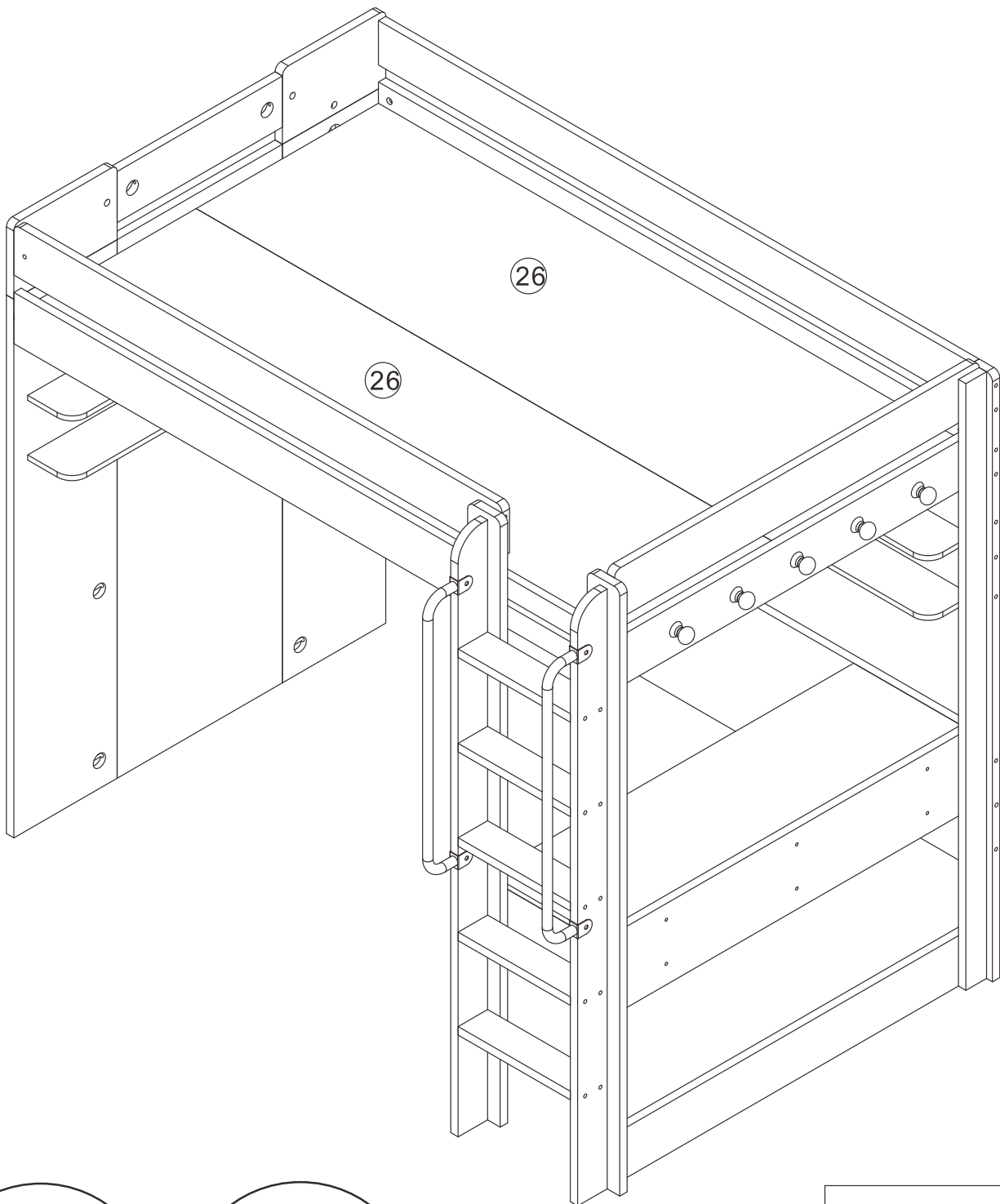
M8*55

22.

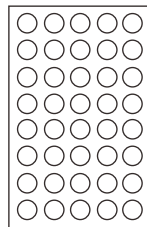


Ex16	Sx5	Tx5
M6*15		M4*28

23.



Wx100



Warranty and Guarantee

Faults and Warranty Claims

EzSpace warrants all goods to be free from defects in materials and workmanship, and of acceptable quality and durability for the purpose for which they are designed.

All goods come with guarantees that cannot be excluded under the Australian Consumer Law. You are entitled to a replacement or refund for a major failure and compensation for any other reasonably foreseeable loss or damage. You are also entitled to have the goods repaired or replaced if the goods fail to be of acceptable quality and the failure does not amount to a major failure.

Guarantee

EzSpace is guaranteed against faults in construction and material for a period of three years from the date of purchase for furnitures, such as bunk bed, loft bed and wallbed.

EzSpace is guaranteed against faults in construction and material for a period of five years from the date of purchase for mattresses.

EzSpace is guaranteed against faults in construction and material for a period of one year from the date of purchase for small items, such as bins or the “Paper” collection on our website.

We do not accept responsibility for any natural characteristics of materials used or any slight dents or marks occurring during transportation.

Please contact Our Customer Service Team with proof of purchase and all details of the fault.

This guarantee does not exclude any conditions or warranties implied by the Commonwealth Trade Practices Act, or by state legislation.

This guarantee is not transferable.



EzSpace Pty Ltd
ABN 51636115243
Phone: 1300219730
Email: admin@ezspace.com.au
Website: ezspace.com.au

Safety Advice

PLEASE READ BEFORE YOU BEGIN:

- ° Please read and understand the instructions before assembly.
- ° Incorrect installation of the product could result in personal injury or physical damage. Please note that warranties do not cover injuries or damage under these circumstances.
- ° EzSpace recommends that eye protection is worn when assembling the product.
- ° EzSpace recommends at least two adults to assemble and install the product safely.
- ° This product must be placed on a flat and level surface while in use.
- ° EzSpace suggests to cover carpet or floor with soft materials before installation, and prepare the installation area with additional soft padding to prevent from any scratching to the floor surface.
- ° If you ordered additional drawers from us, please assemble drawers as the final step.
- ° If you ordered stairs/ staircase storage units from us, please assemble stairs after the bed and main components have been installed correctly. Installation instructions for stairs are separated provided.
- ° While these products are easy to install, we can recommend a qualified tradesperson to install if you are not comfortable with the installation of this product. Please contact us directly for assistance.

SAFETY WARNING

The bunk/loft bed is not to be placed near a ceiling fan unless the distance between the closest points on the ceiling fan and the bunk/loft bed is at least 2 m. Our products are designed to be installed by adults ONLY. Please keep children away during installation to prevent any unexpected injuries to the child or damage to the product. Warranties do not cover injuries or damage under these circumstances.

While our products meet Australian Standards, supervision for child use is required:

Children under the age of six should not use the upper bed if the bunk is of the type that has an upper bed suspended over a lower bed;

Children under the age of 12 should not use the bunk if it is of the type which has an elevated bed suspended over a play area, furniture or other feature;

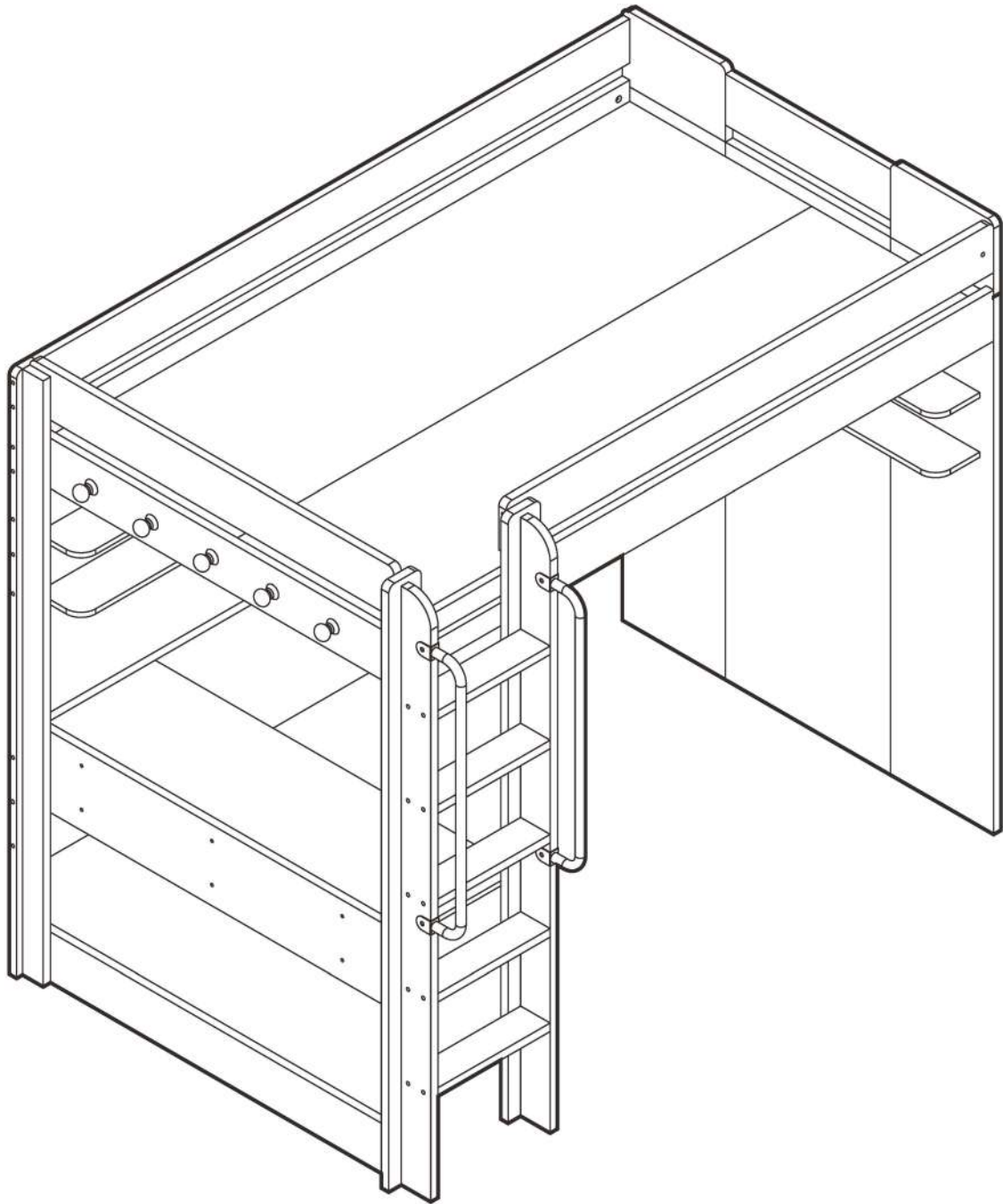
Children should be discouraged from playing on the bunk bed.

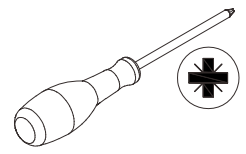
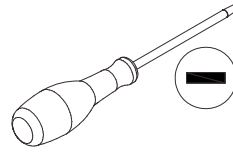
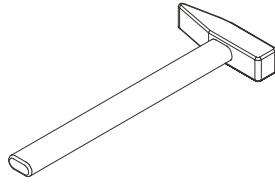
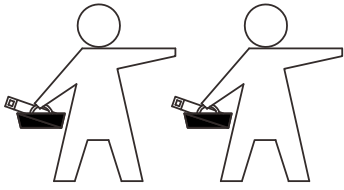
The bunk/loft bed should be checked periodically to ensure that the guardrail, ladder and other components are maintained in the correct position and state of repair and that all connectors are tight.



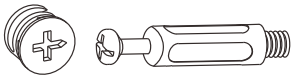
Contact us

products@ezspace.com.au





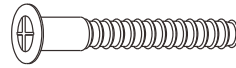
Ax12



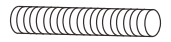
Bx24



Cx 31



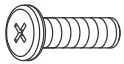
Dx12



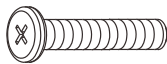
M7*38

M8*80

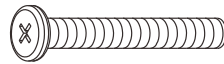
Ex16



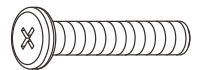
Fx3



Gx3



Hx4



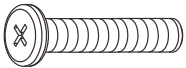
M6x15

M6x50

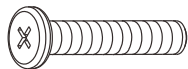
M6x90

M8x30

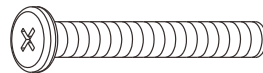
Jx 12



Kx49



Lx7



Mx60



Nx6



M8*40

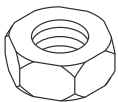
M8*55

M8*90

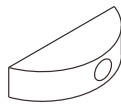
M8*15

M6*12

Ox12



Px12



Qx12



Rx4



M8

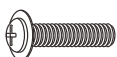
6X35

M6

Sx5



Tx5



M4*28

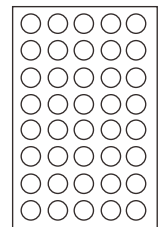
Ux10



Vx1



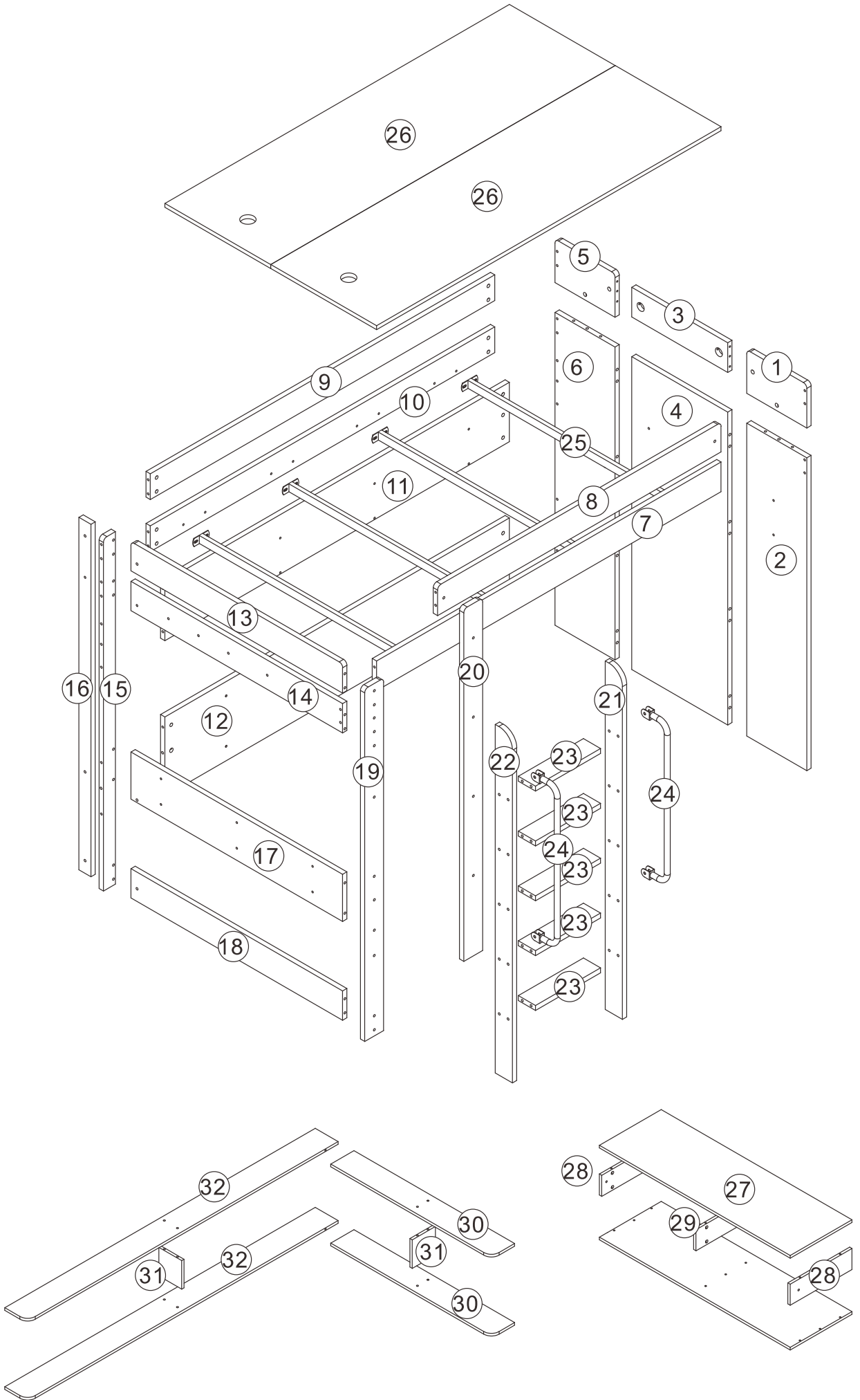
Wx100



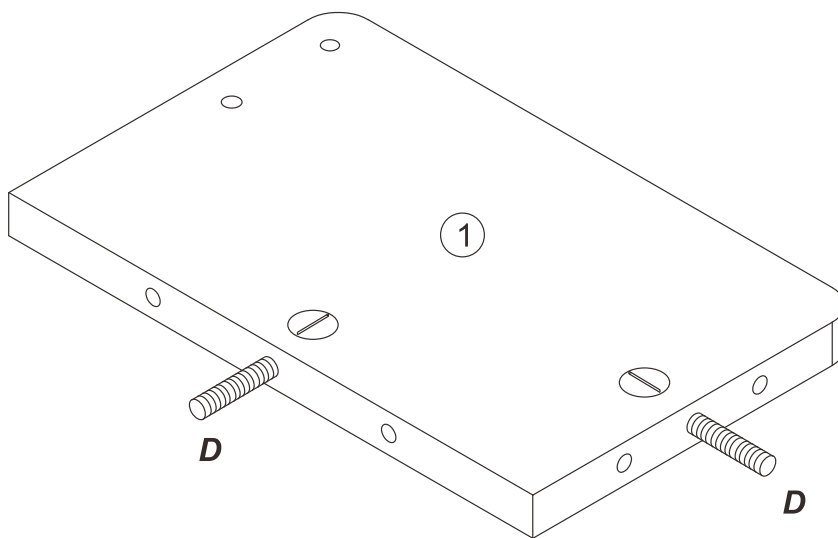
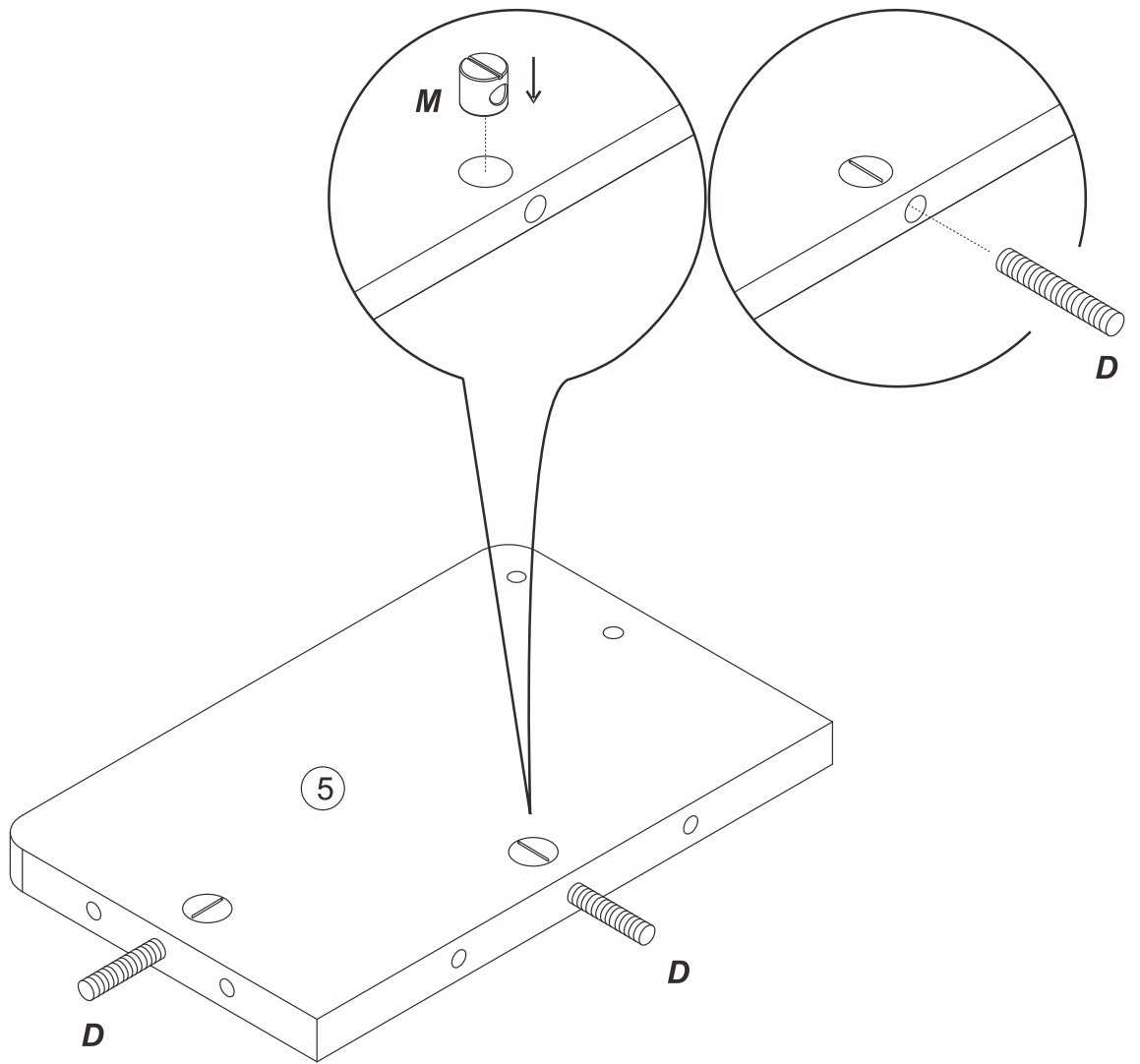
COMPONENT SIZE



1.2M

NO.	DIM.(mm)			QTY.
	L	W	H	
01	350	220	25	1
02	1580	350	25	1
03	560	148	25	1
04	1580	560	25	1
05	350	220	25	1
06	1580	350	25	1
07	2010	148	25	1
08	1654	148	25	1
09	2010	110	25	1
10	2010	148	25	1
11	2010	300	15	1
12	2010	100	25	1
13	1235	148	25	1
14	1235	148	25	1
15	1780	70	25	1
16	1780	70	25	1
17	1235	238	25	1
18	1235	148	25	1
19	1780	110	25	1
20	1780	110	25	1
21	960	100	25	1
22	960	100	25	1
23	380	100	25	5
24	900	125	30	2
25	1210	90	25	4
26	2000	600	12	2
27	1235	400	15	1
28	400	118	15	2
29	400	118	15	1
30	1040	148	15	2
31	160	148	15	2
32	2010	148	15	2
33	600	40	25	2
34	800	100	25	1
35	800	100	25	1

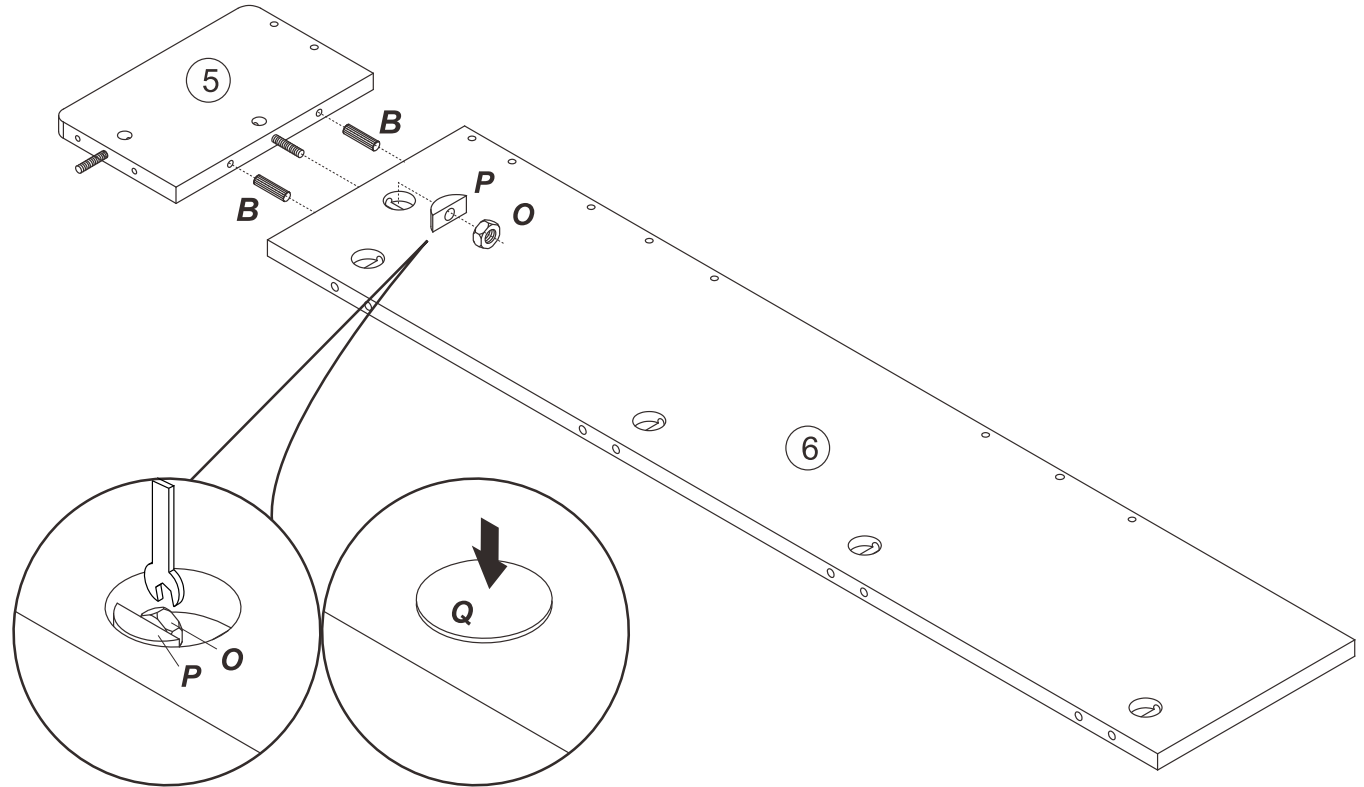
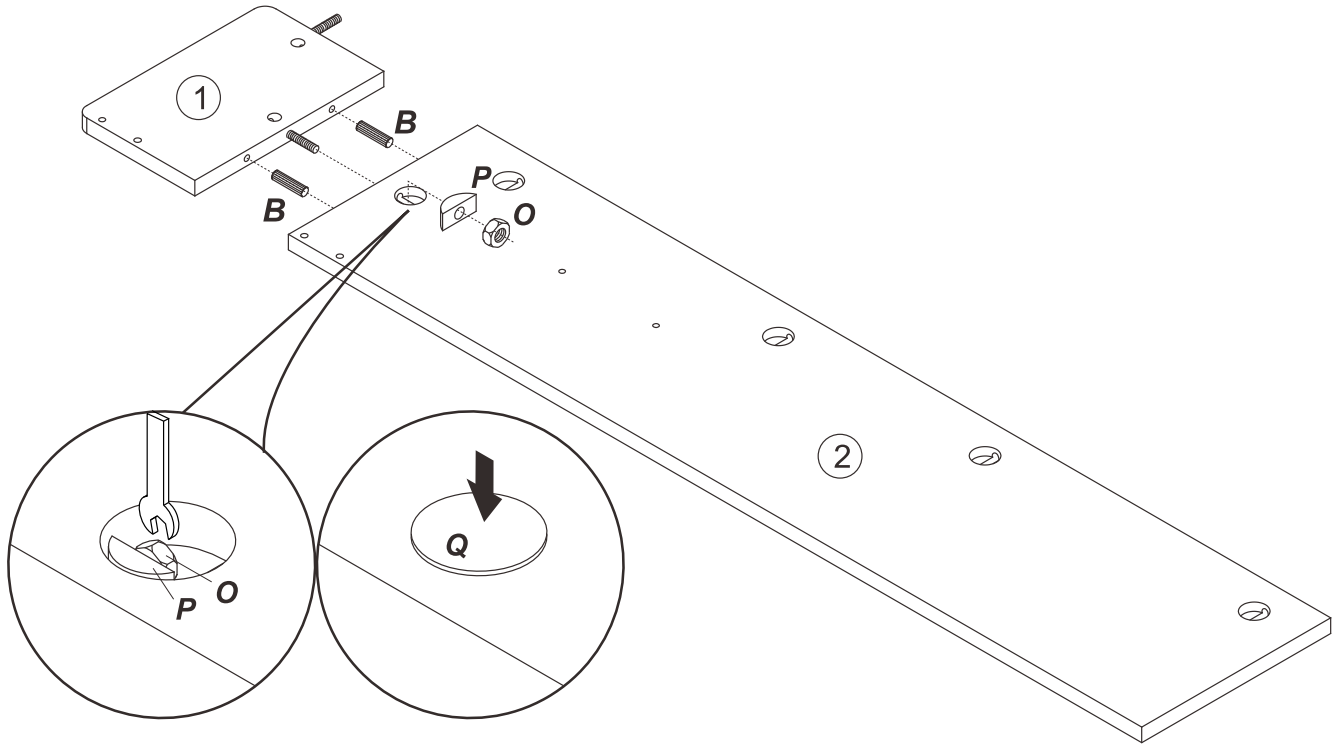


1.



<i>Dx4</i>	<i>Mx4</i>
	
M8*80	M8*15

2.



Bx4



Ox2



M8

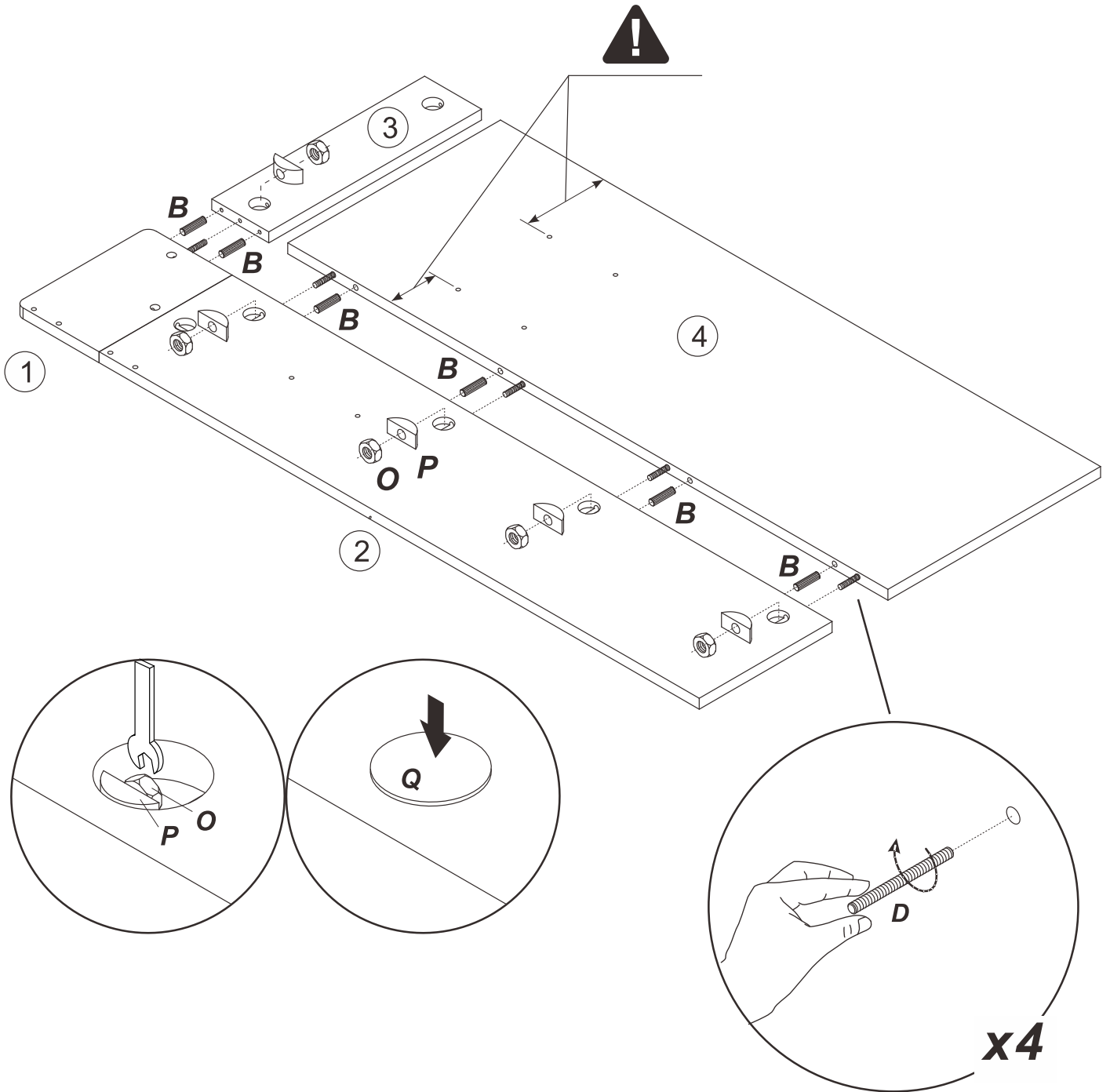
Px2





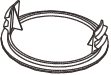


Qx2

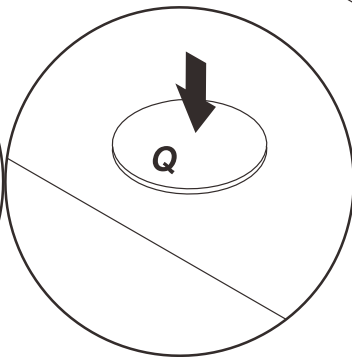
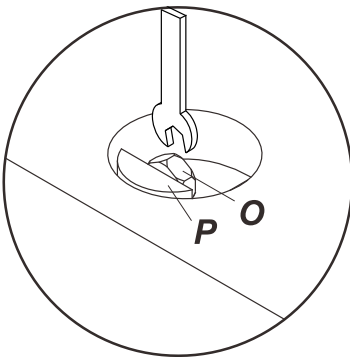
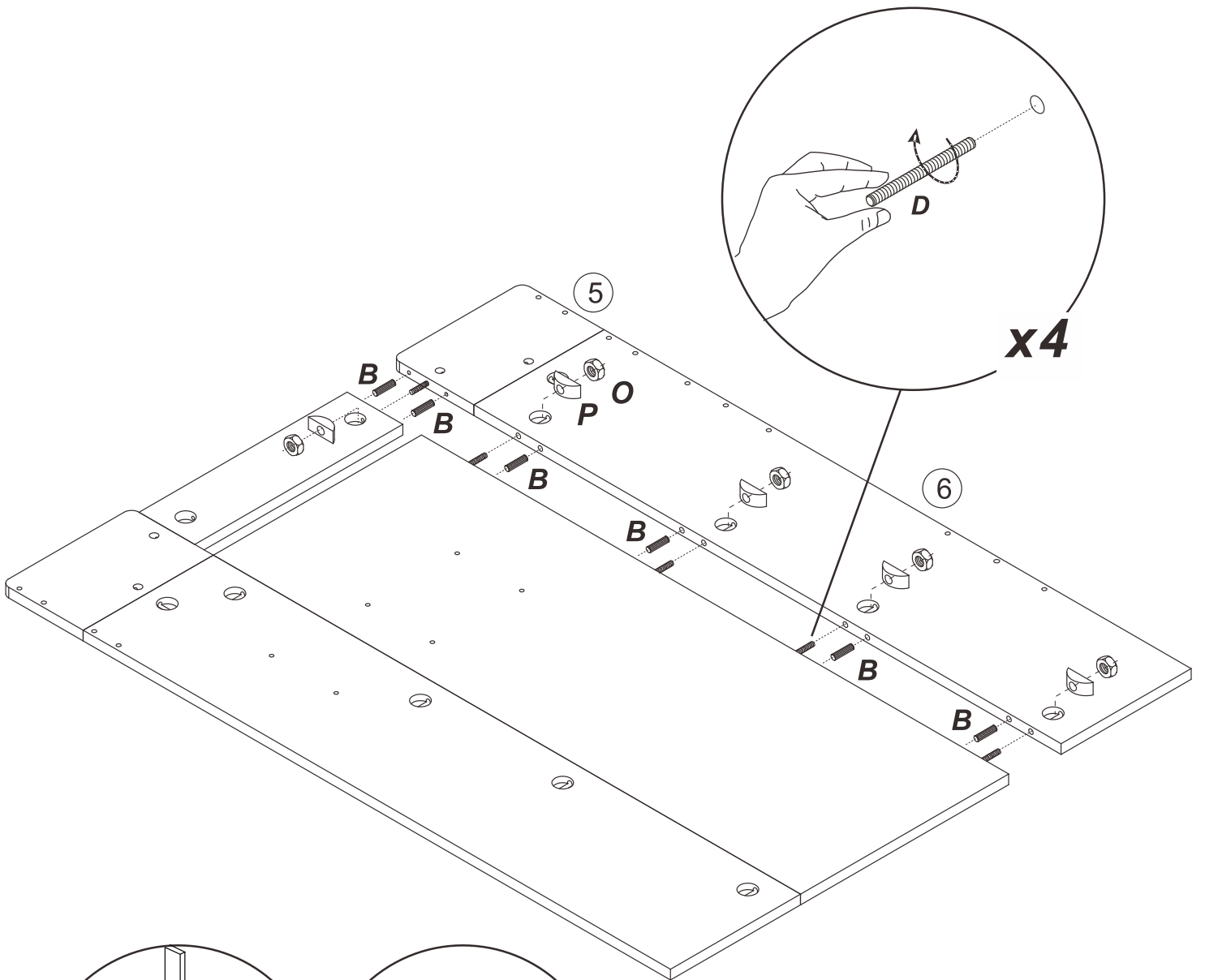






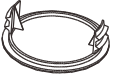
3.



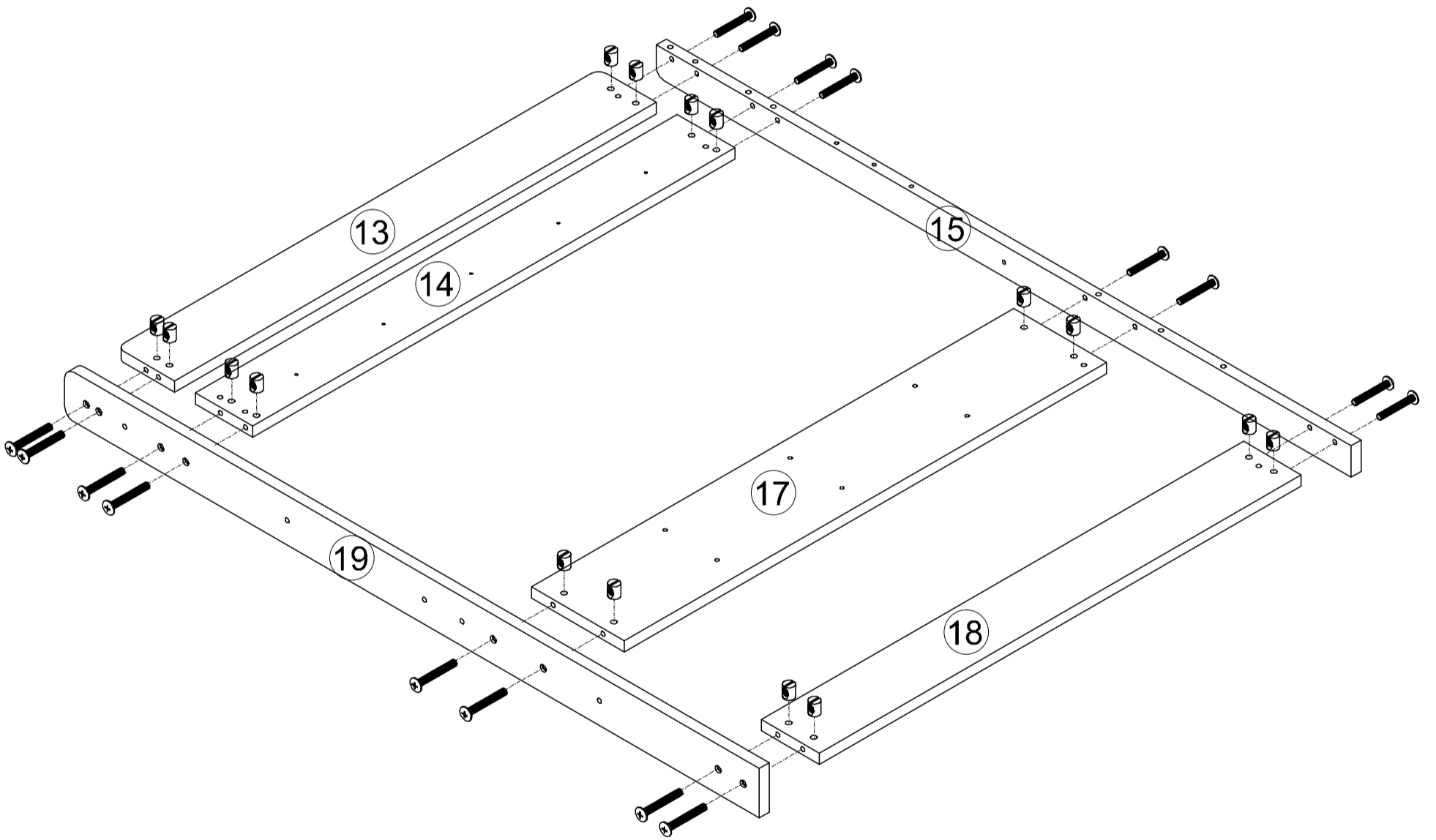
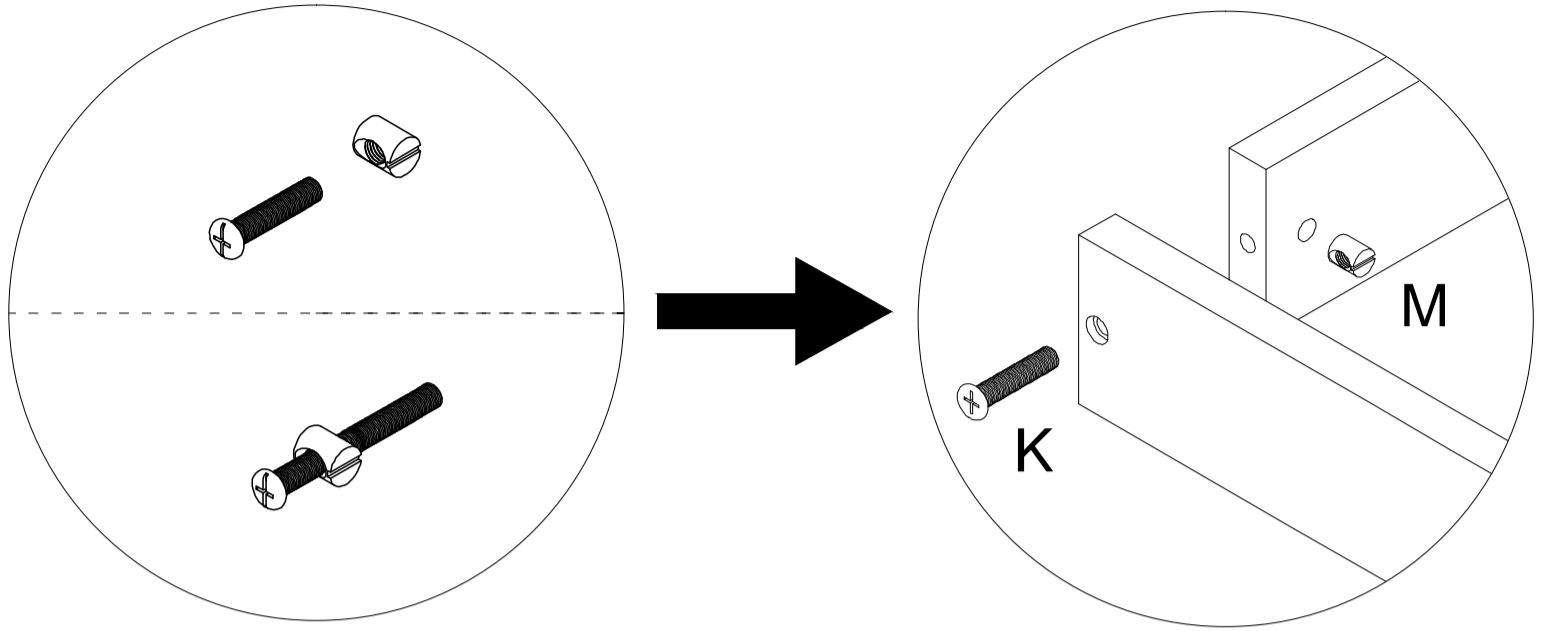
Dx4	Bx6	Ox5	Px5	Qx5
				
M8*80		M8		

4.



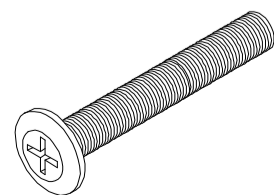
Dx4	Bx6	Ox5	Px5	Qx5
				
M8*80		M8		

5.



K x16

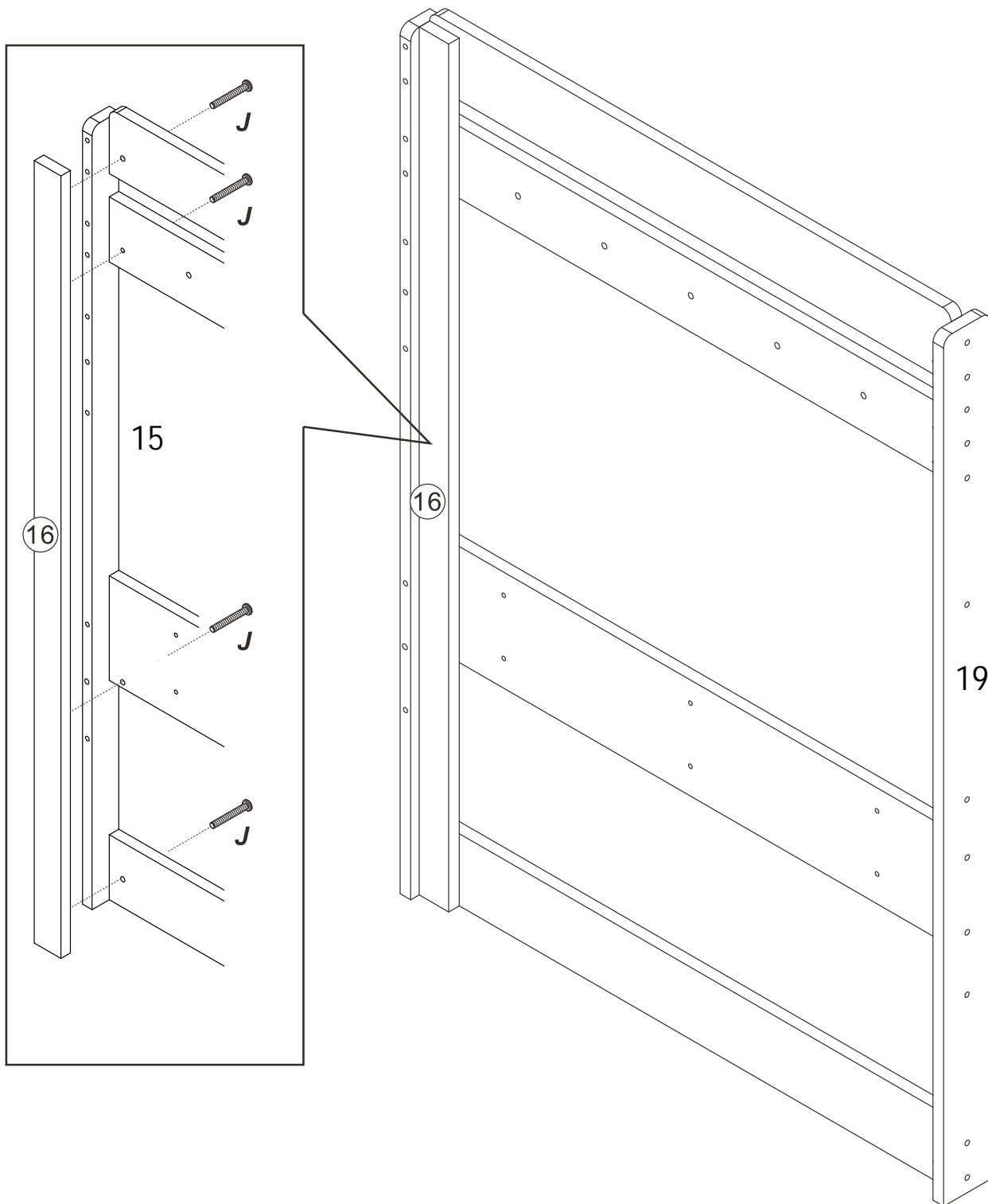
M x16



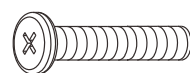
M8*55

M8*15

6.

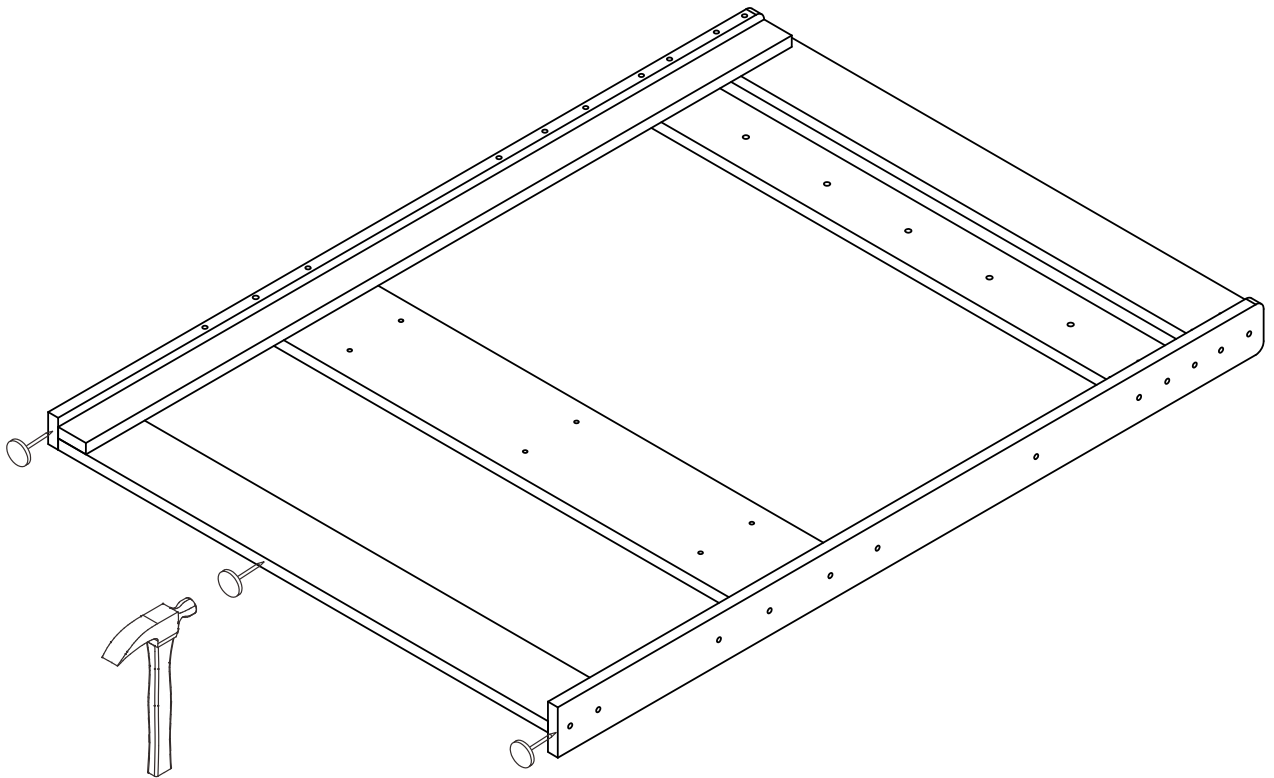
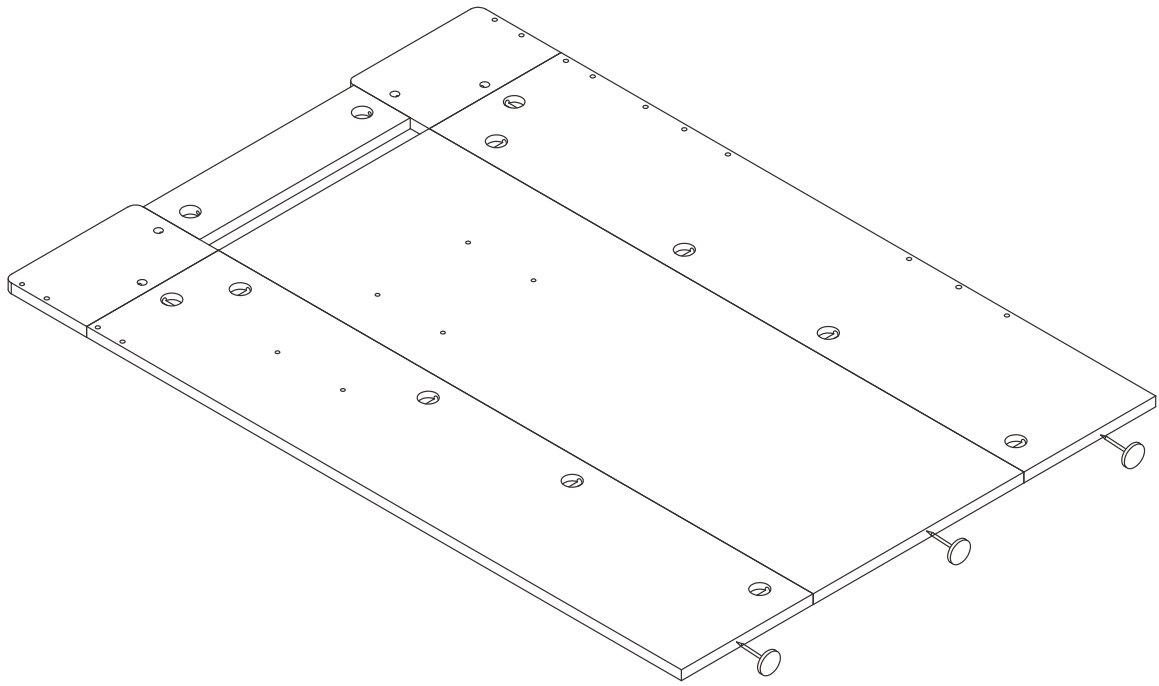


Jx4



M8*40

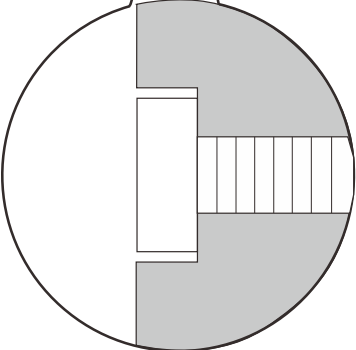
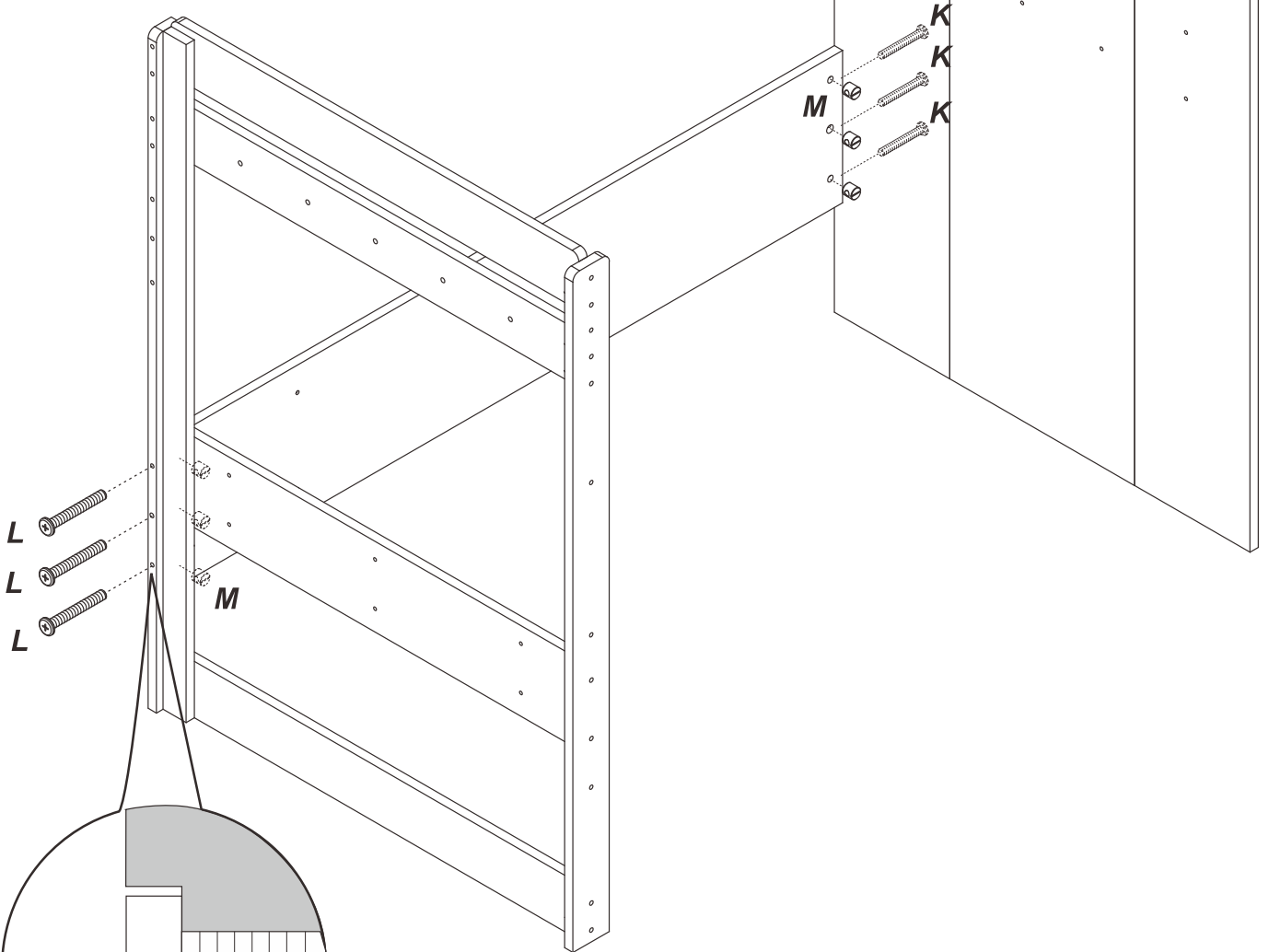
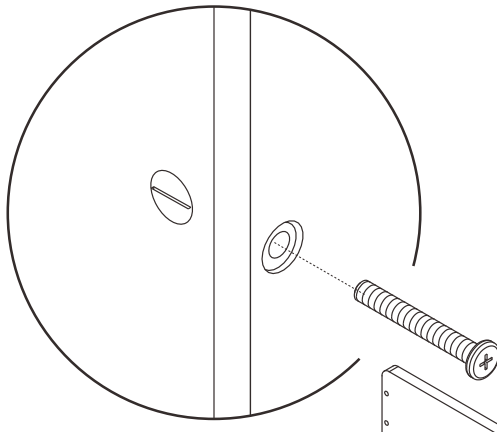
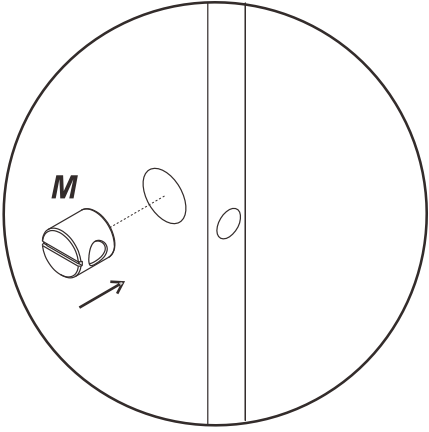
7.

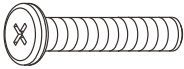
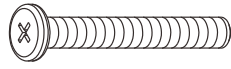



Ux 6

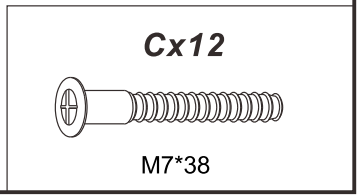
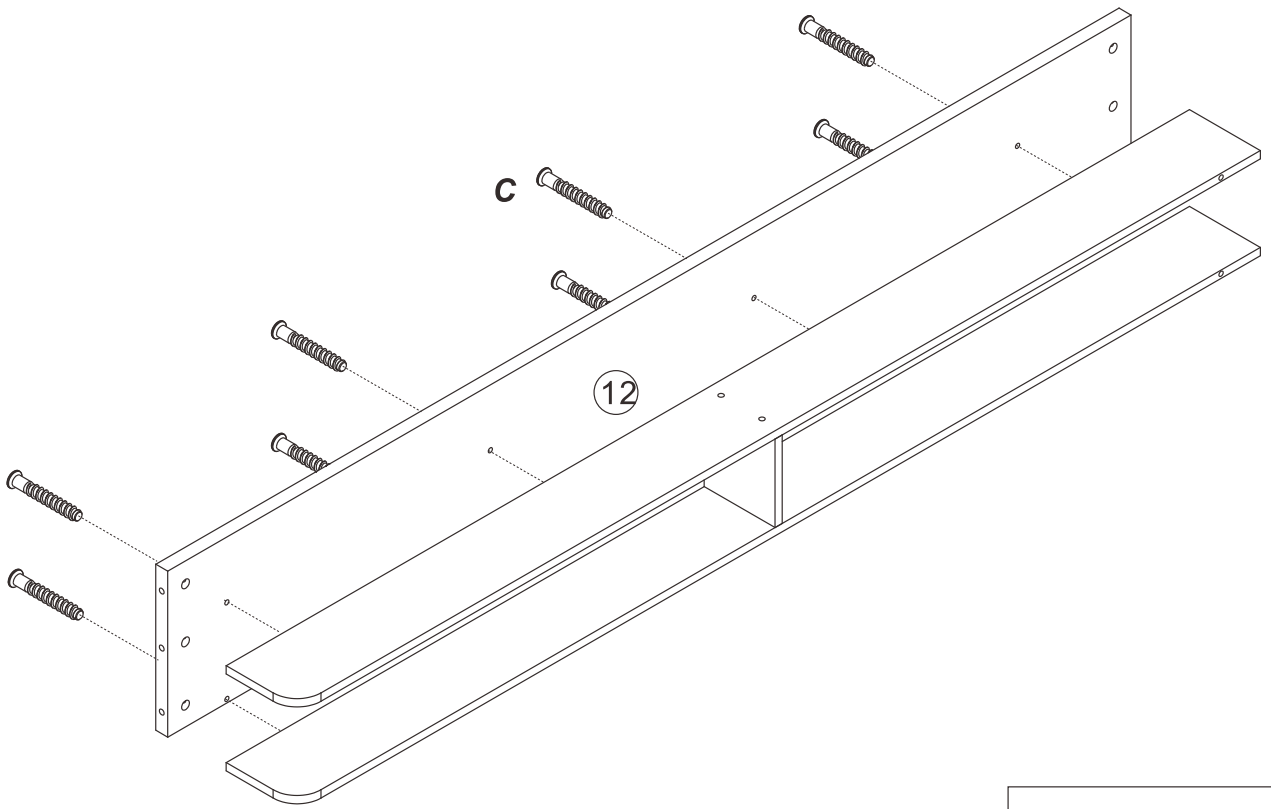
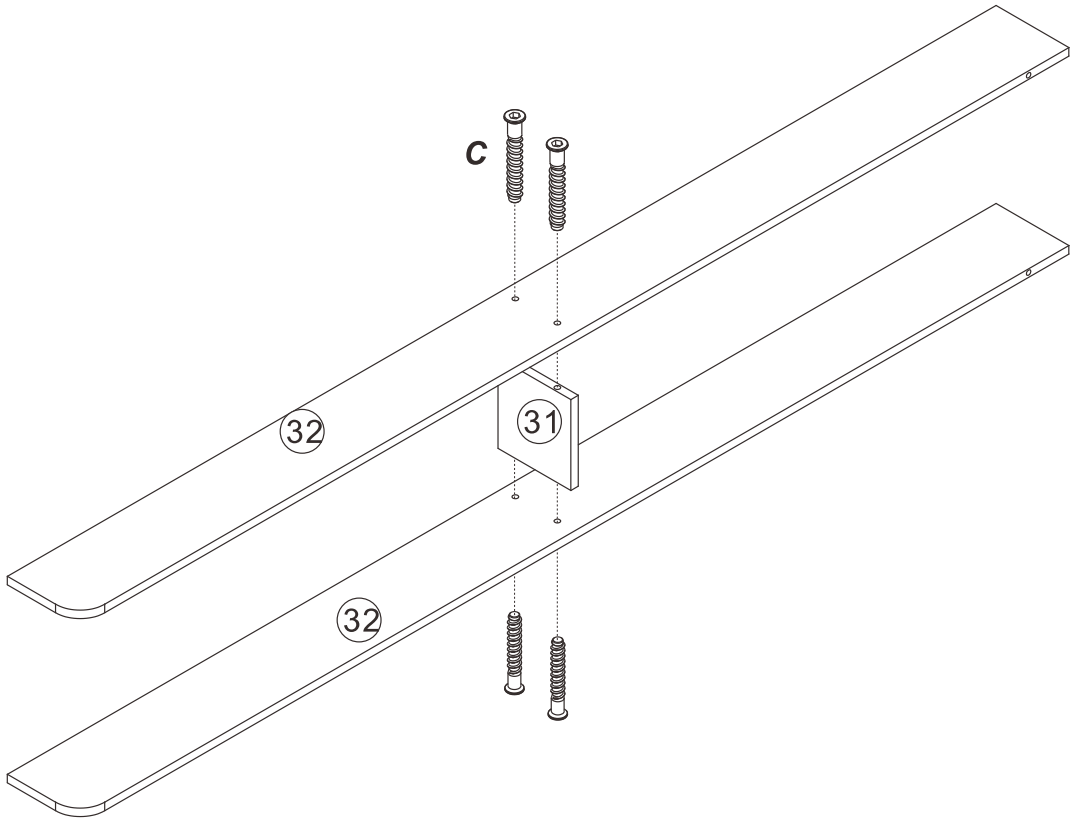


8.

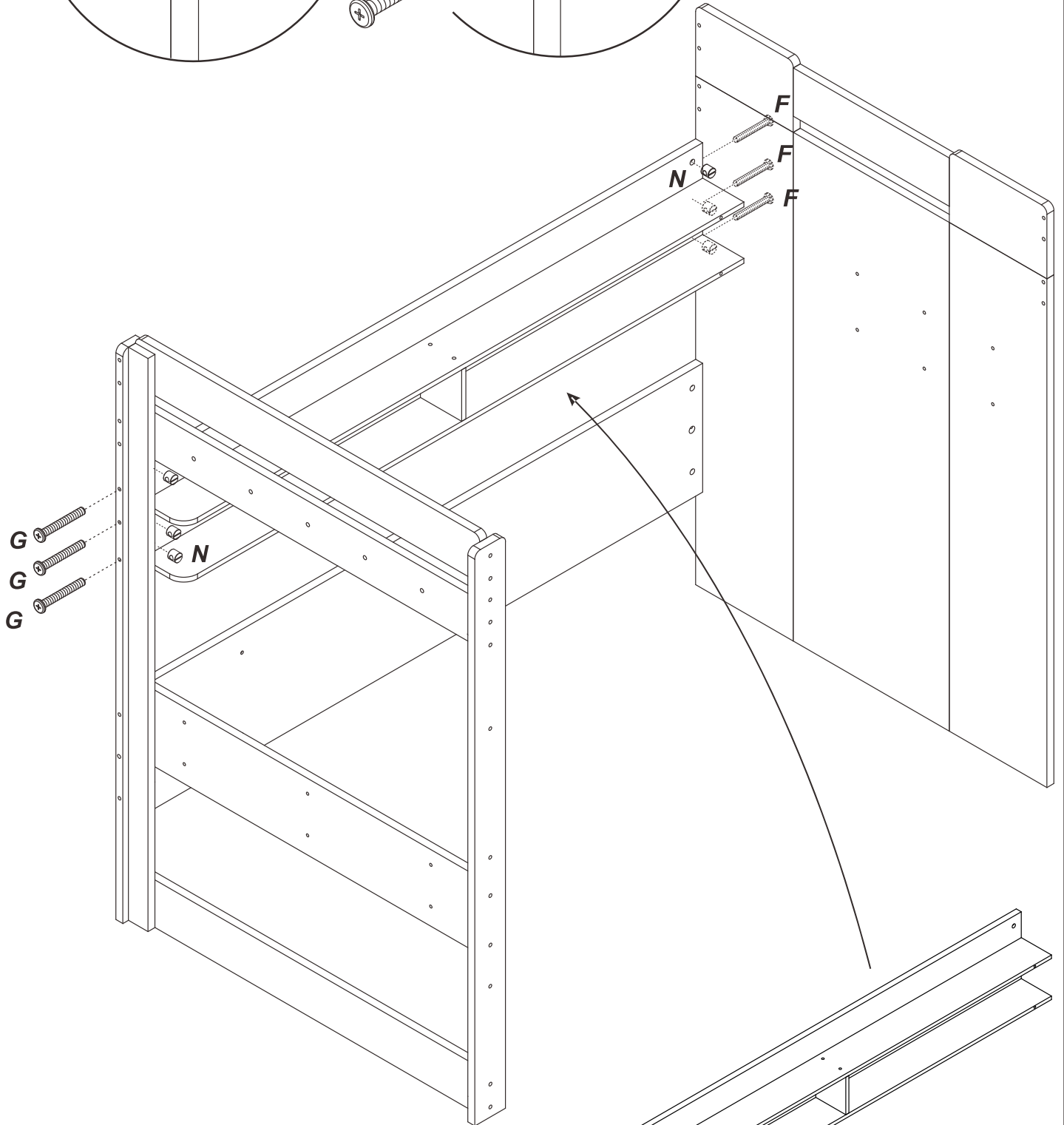
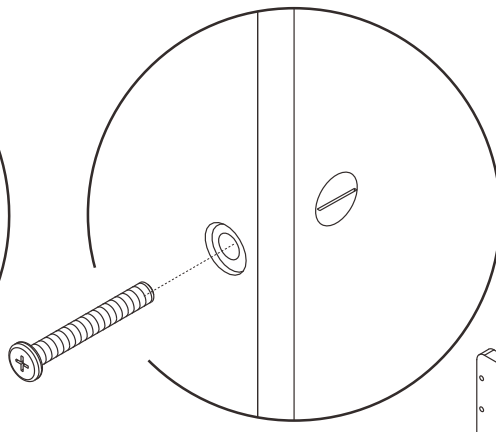
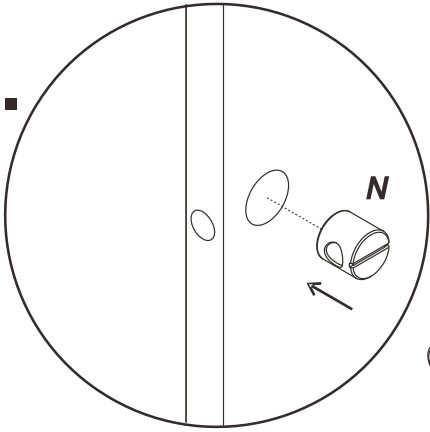


Kx3	Lx3	Mx6
		
M8*55	M8*90	M8*15

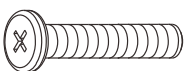
9.



10.

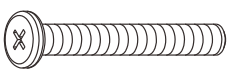


Fx3



M6*50

Gx3

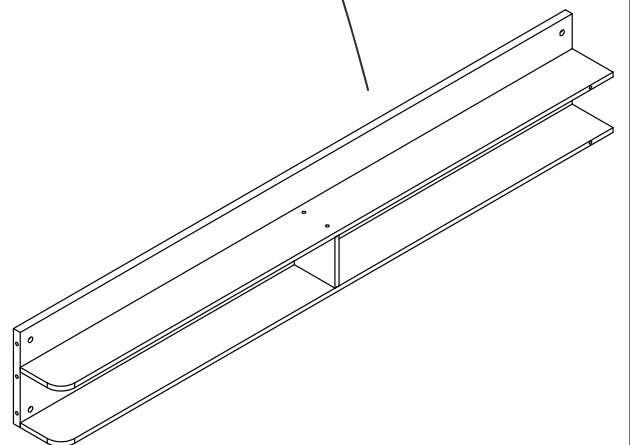


M6*90

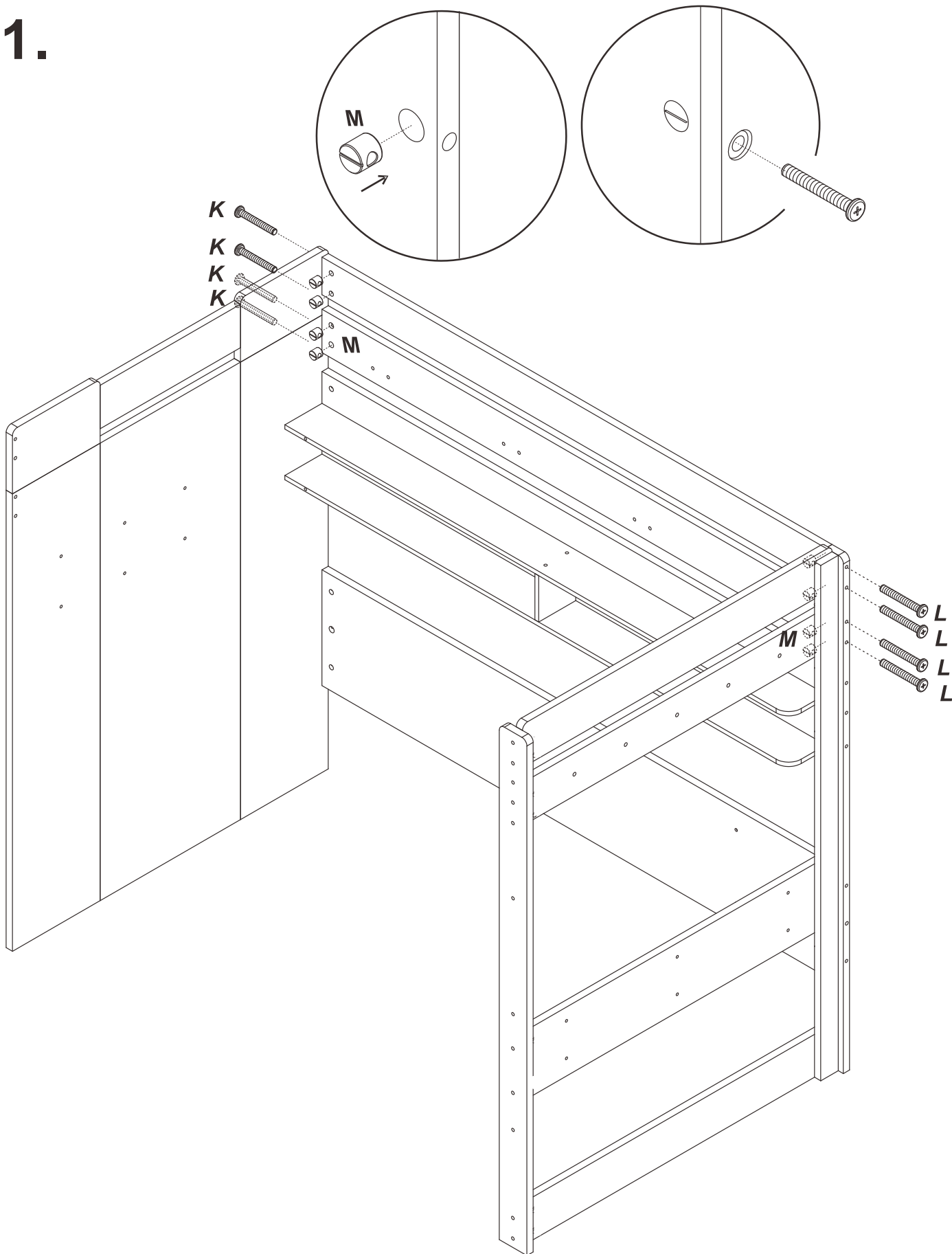
Nx6



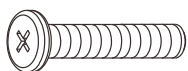
M6*12



11.

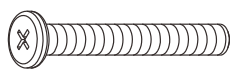


Kx4



M8*55

Lx4



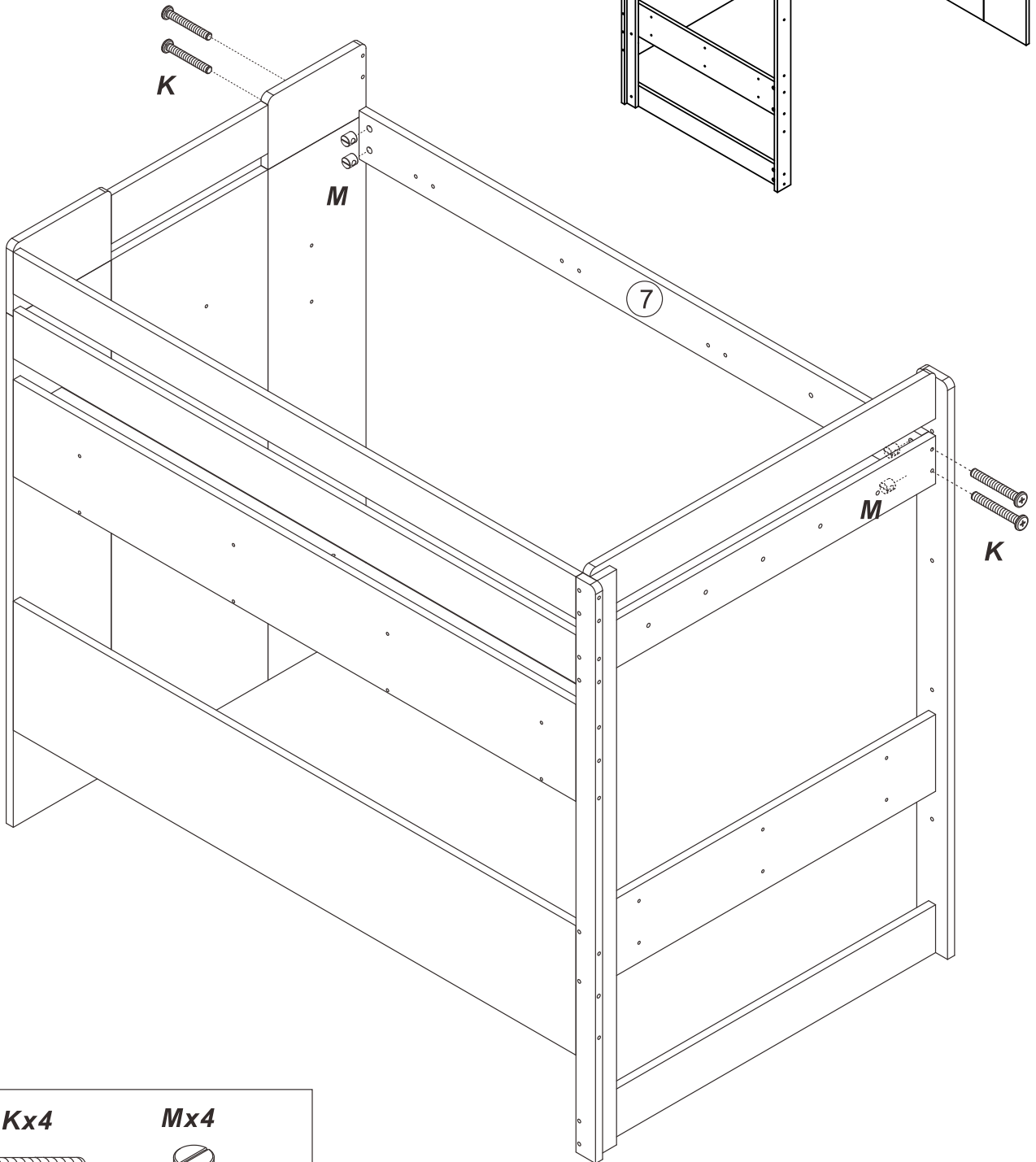
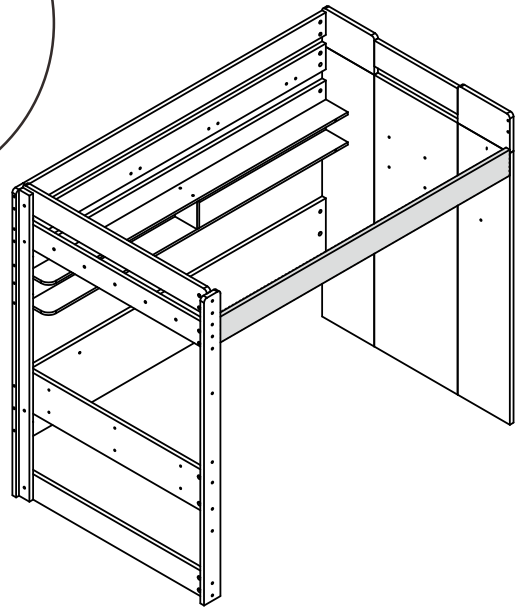
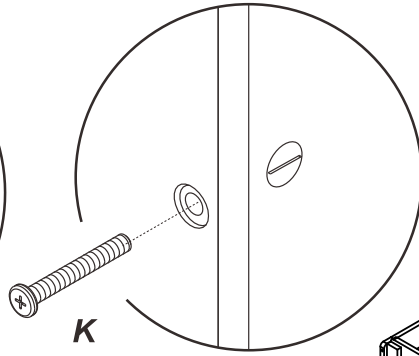
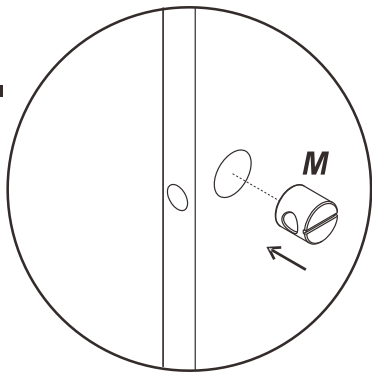
M8*90

Mx8



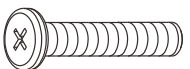
M8*15

12.



Kx4

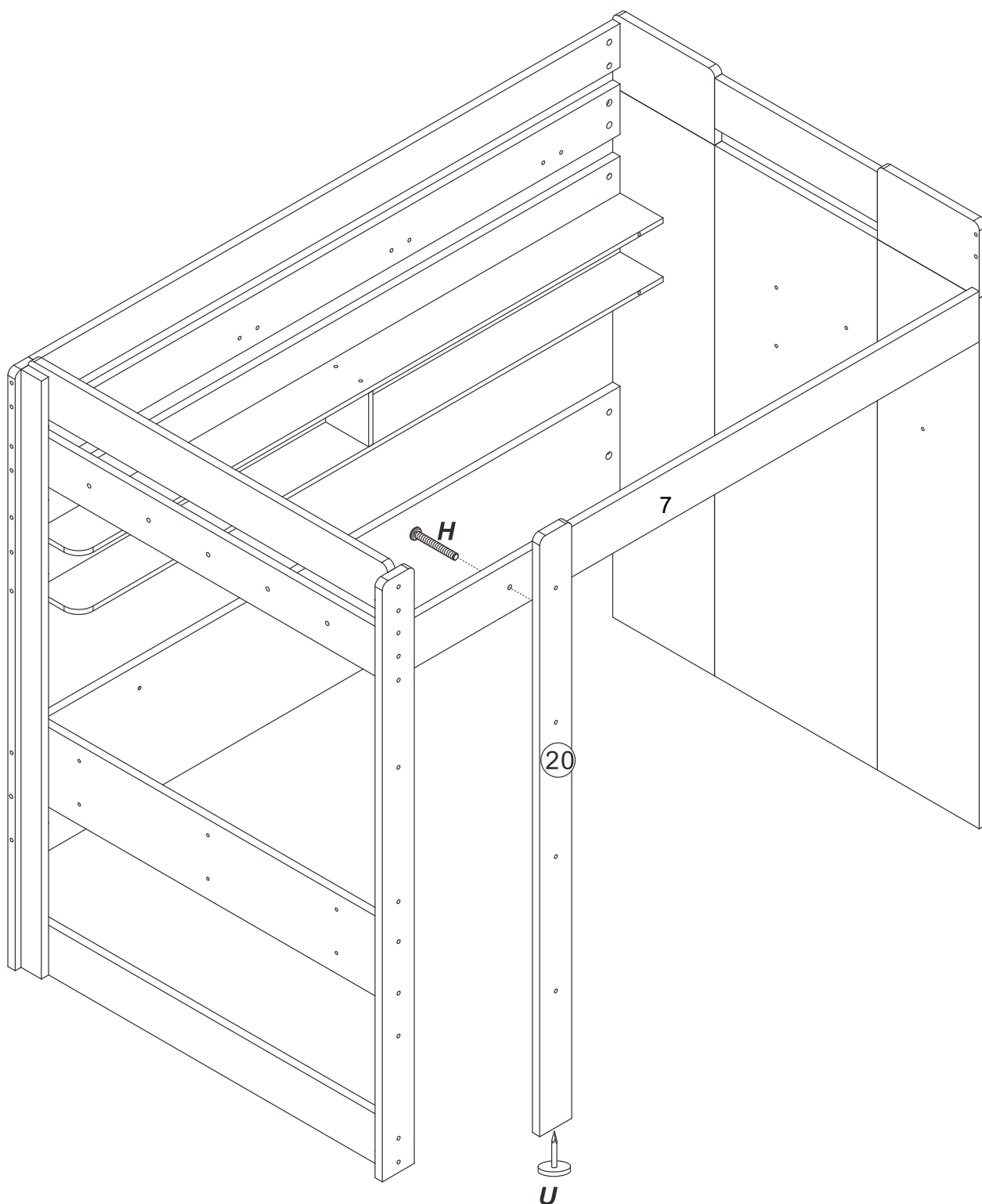
Mx4



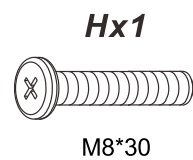
M8*55

M8*15

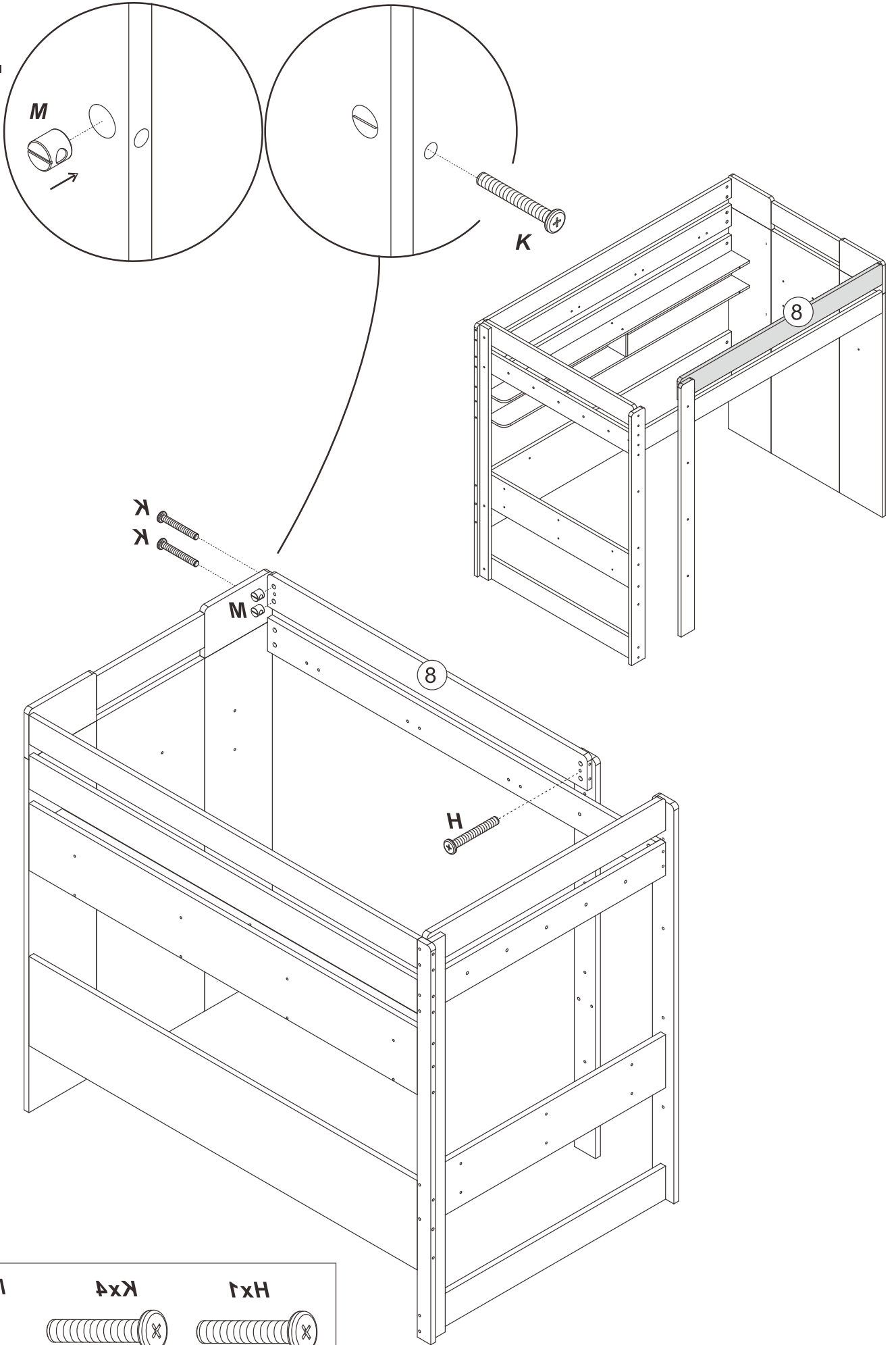
13.



Note: on panel 7, the holes are not punched through so that the ladder side can be switched as needed, please use drill bit or the provided wood screw (R) to drill through to widen the holes.



14.

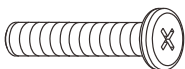


4xM



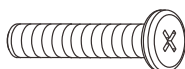
M8*12

4xK



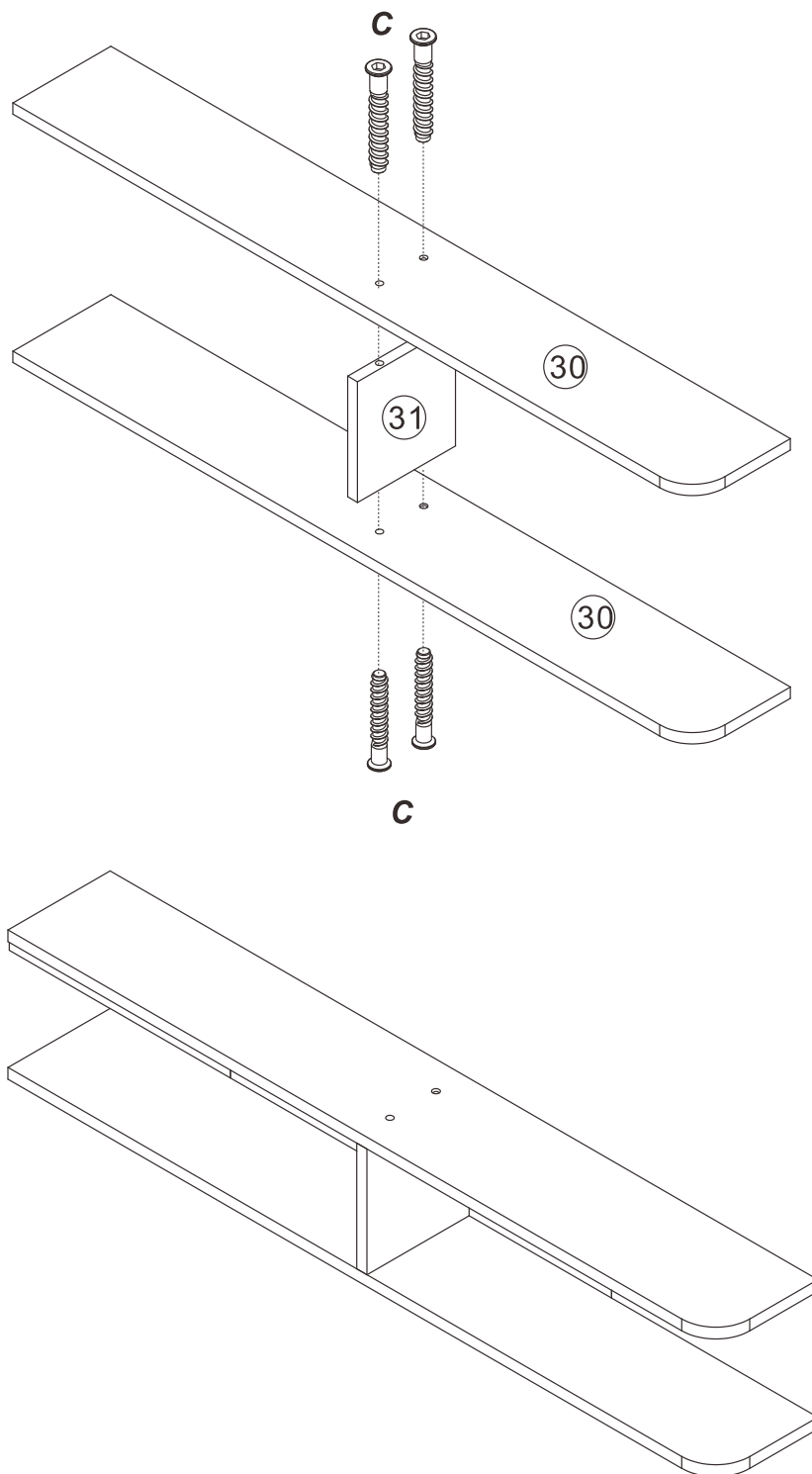
M8*22

1xH

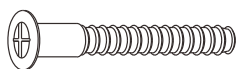


M8*30

15.

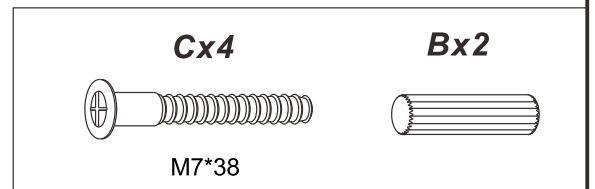
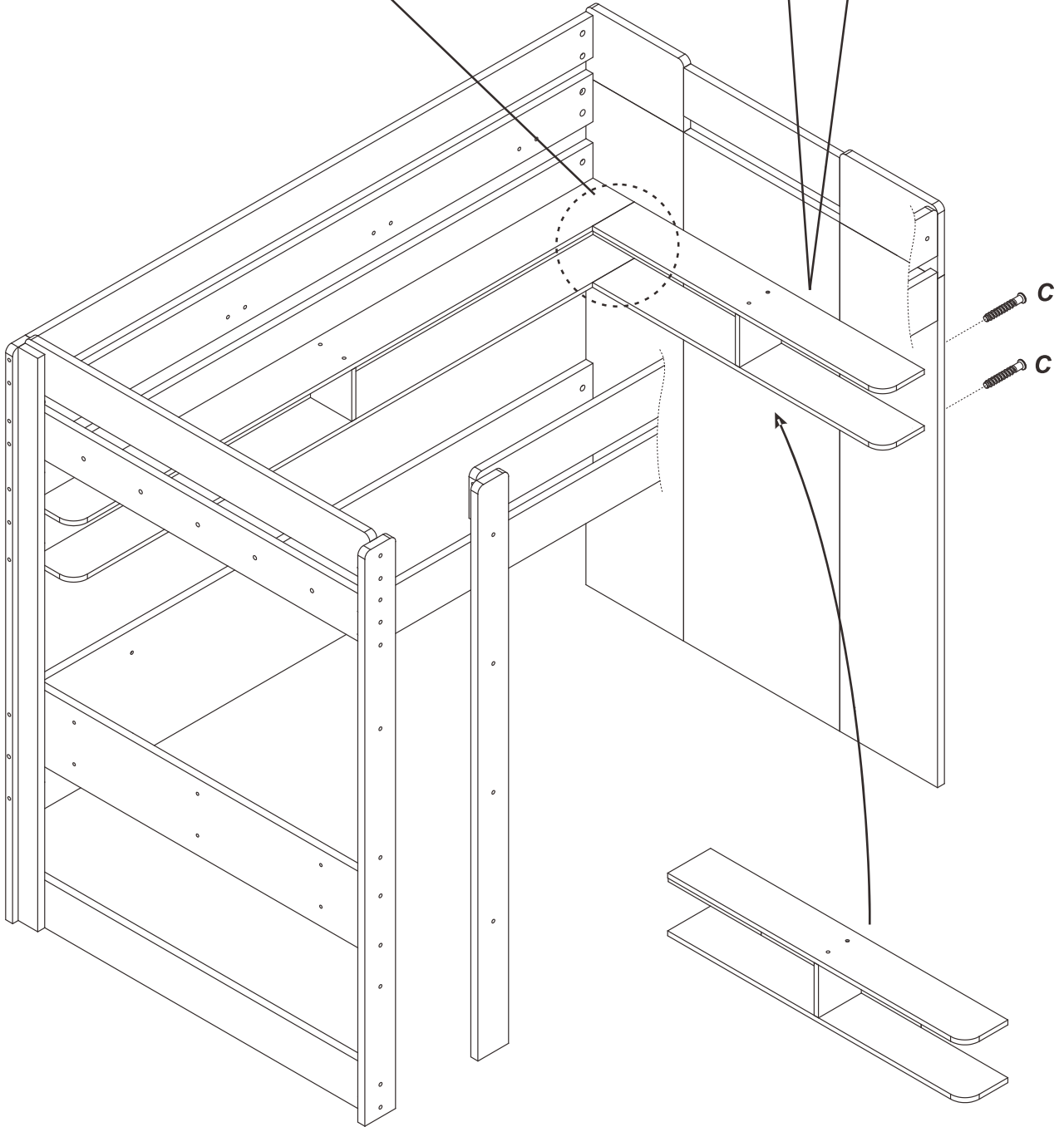
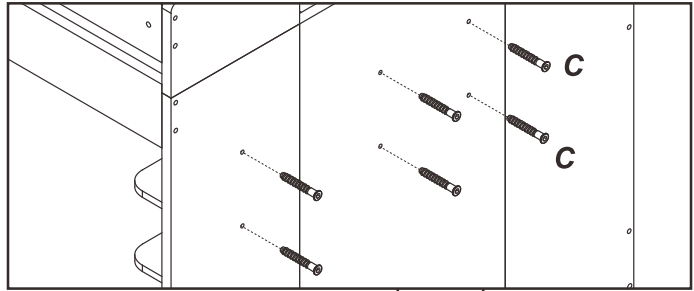
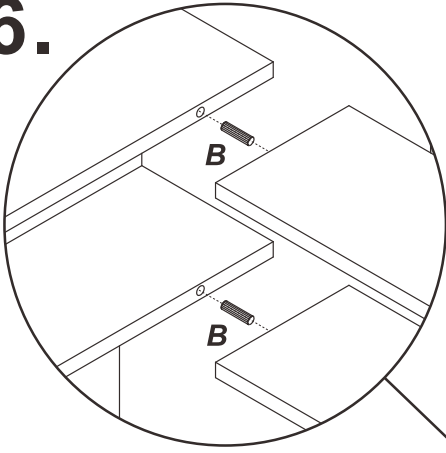


Cx4

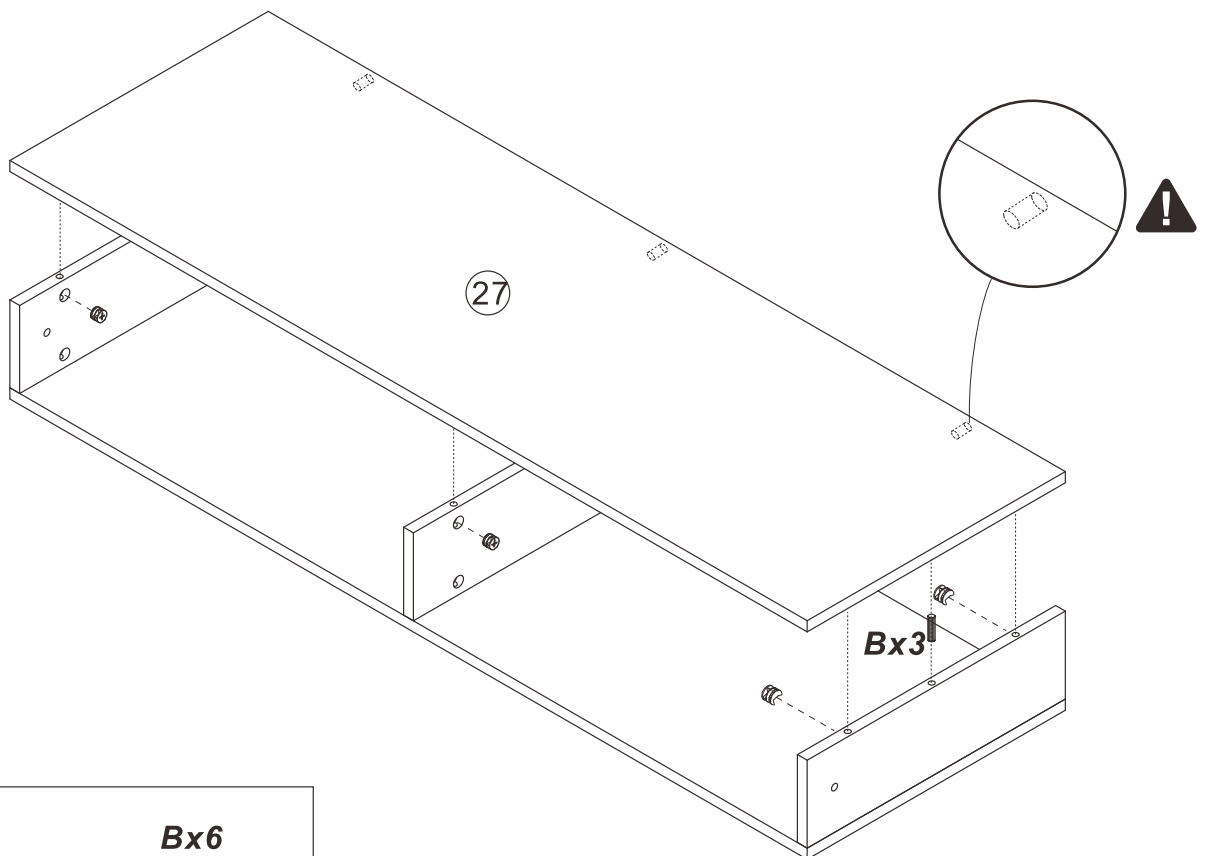
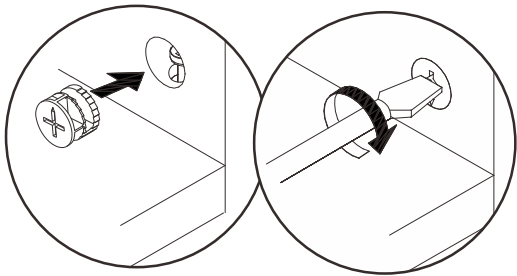
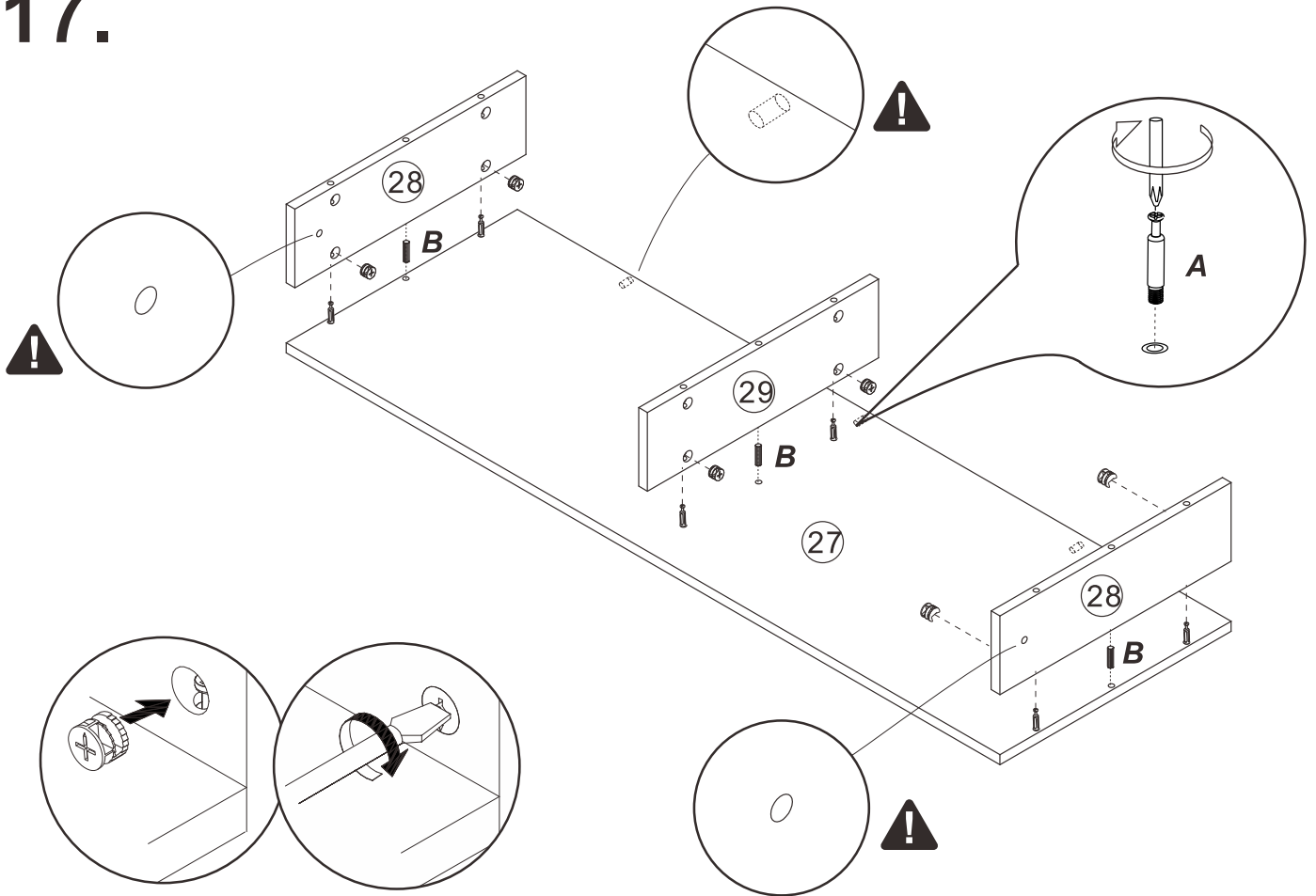


M7*38

16.

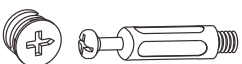


17.

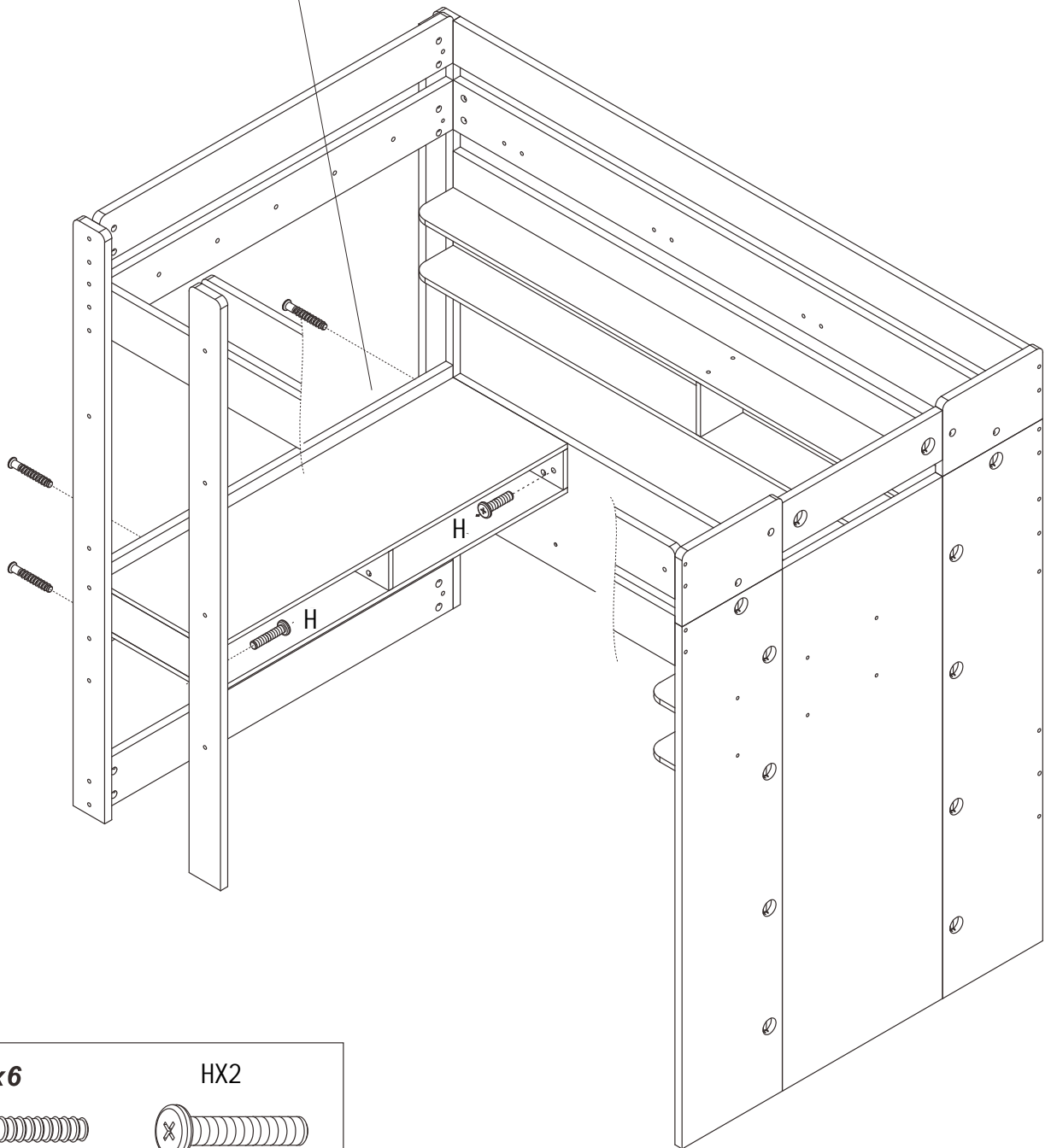
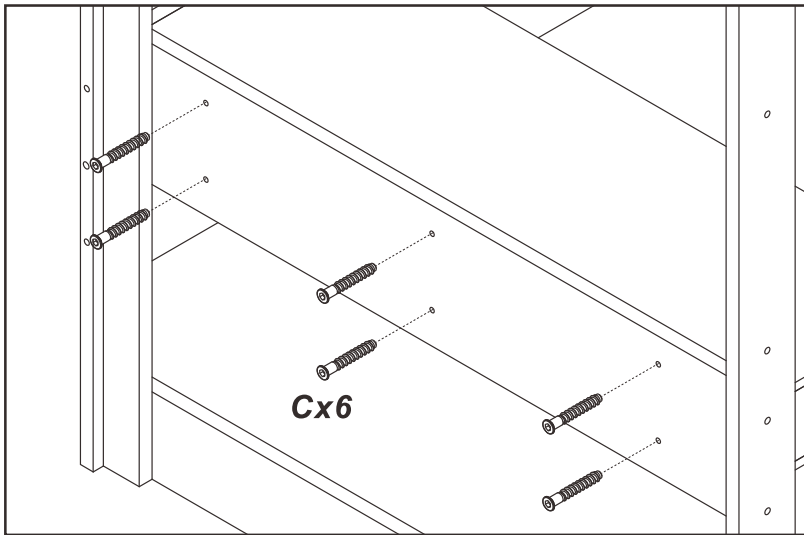


Ax12

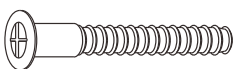
Bx6



18.

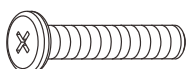


Cx6



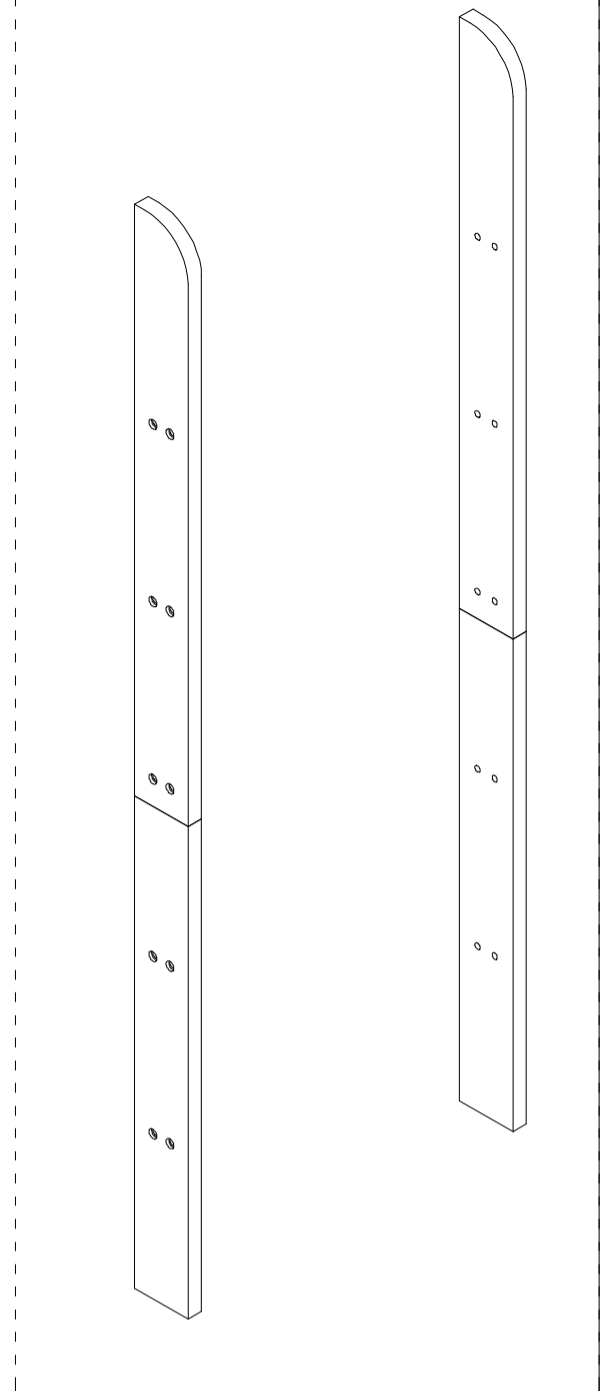
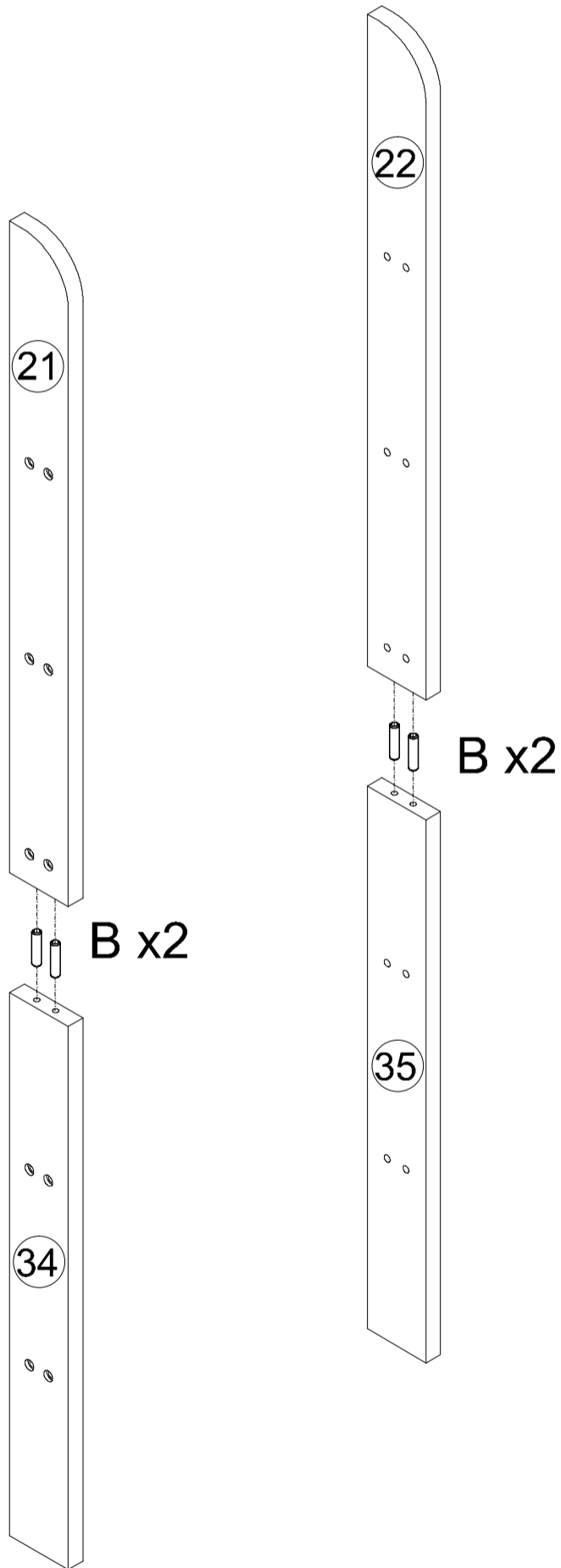
M7*38

HX2

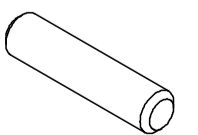


M8X30

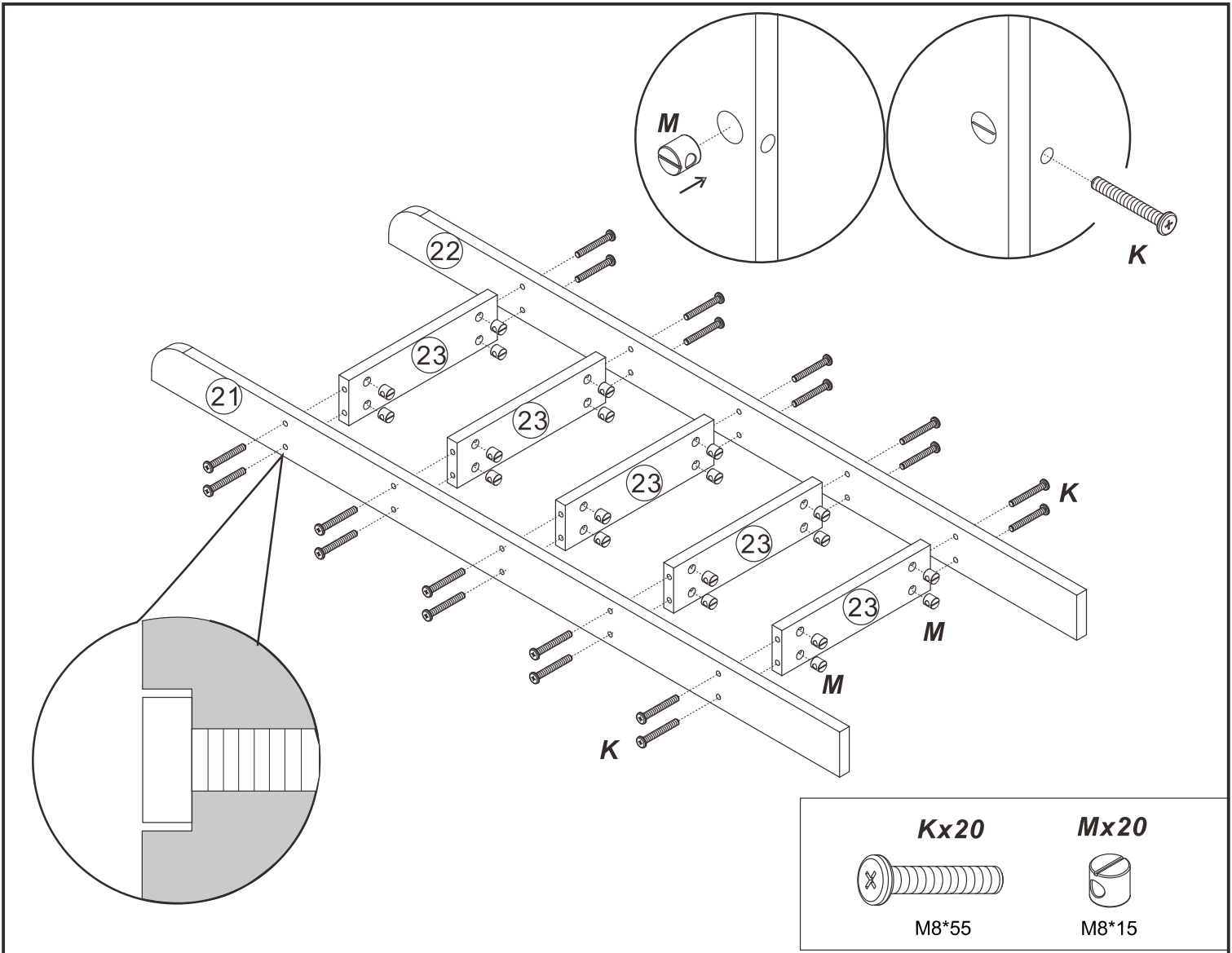
19.

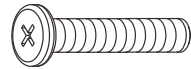



B x4

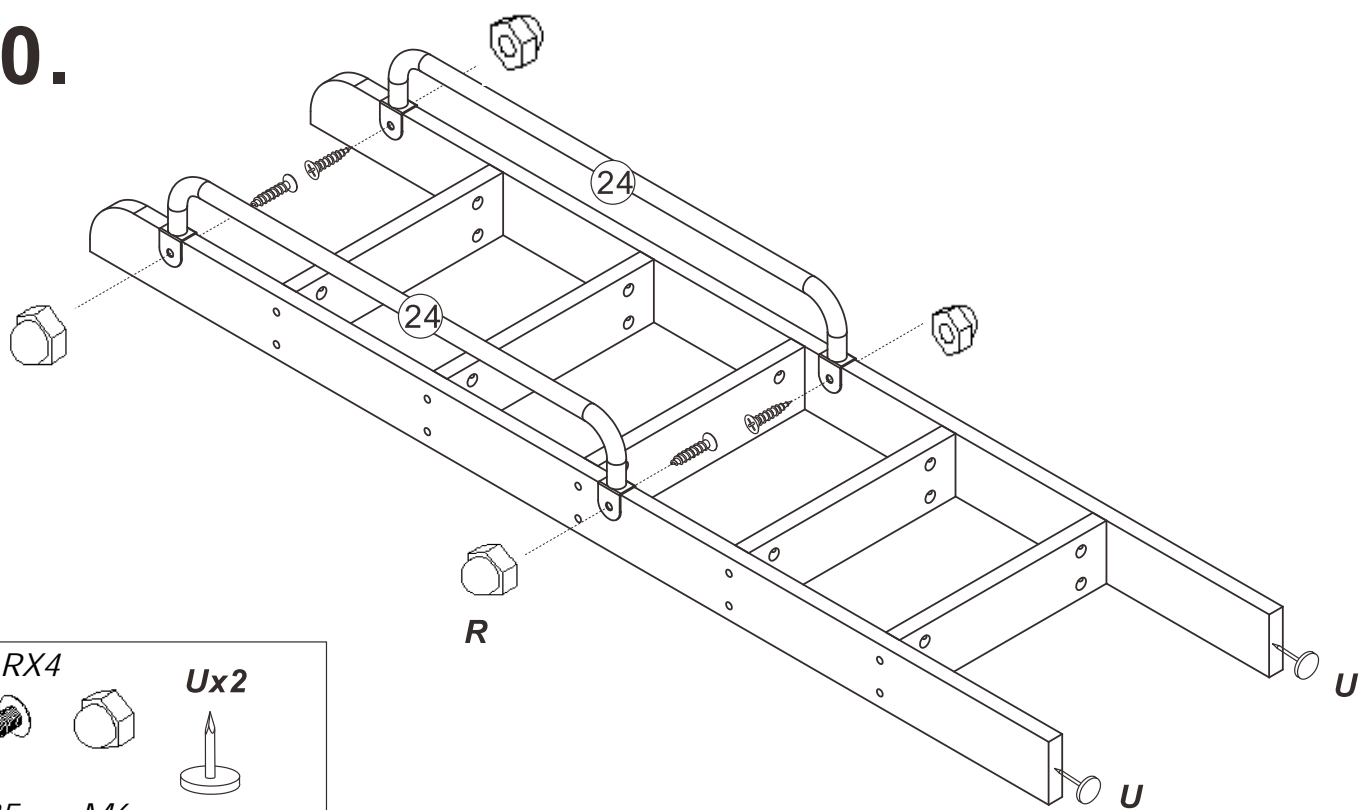




Ø8*30



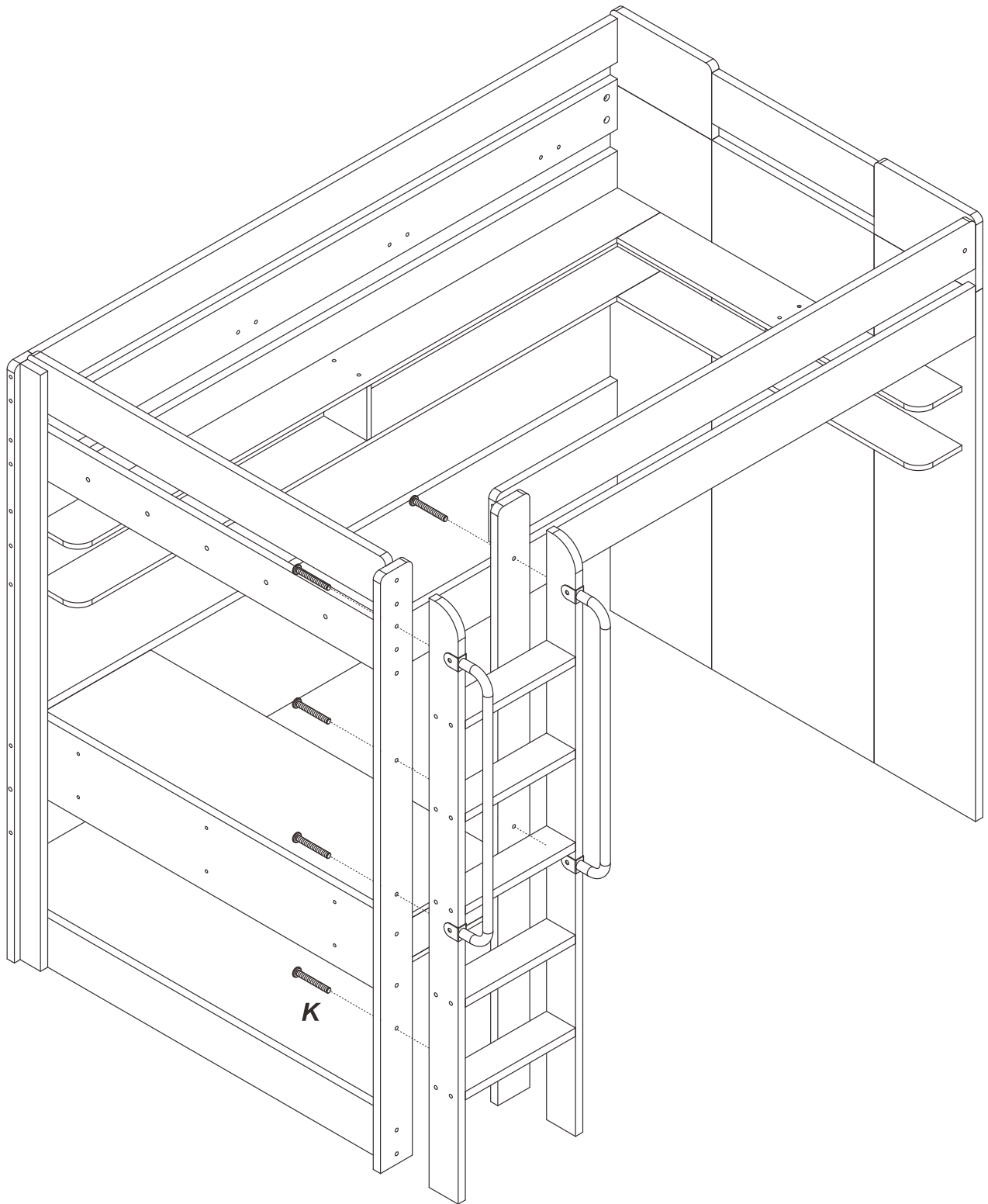
Kx20	Mx20
	
M8*55	M8*15

20.

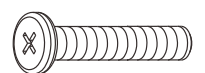


RX4	Ux2
	
6X35	M6

21.

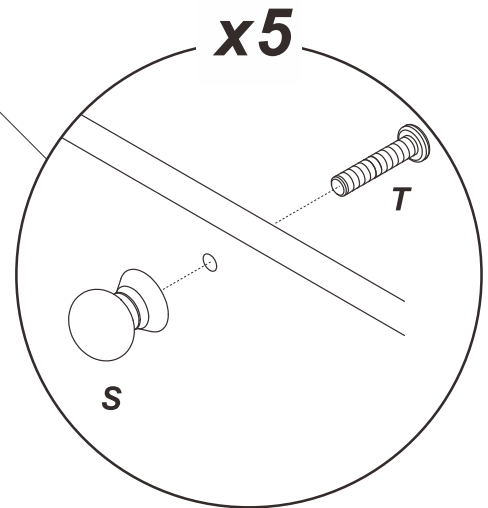
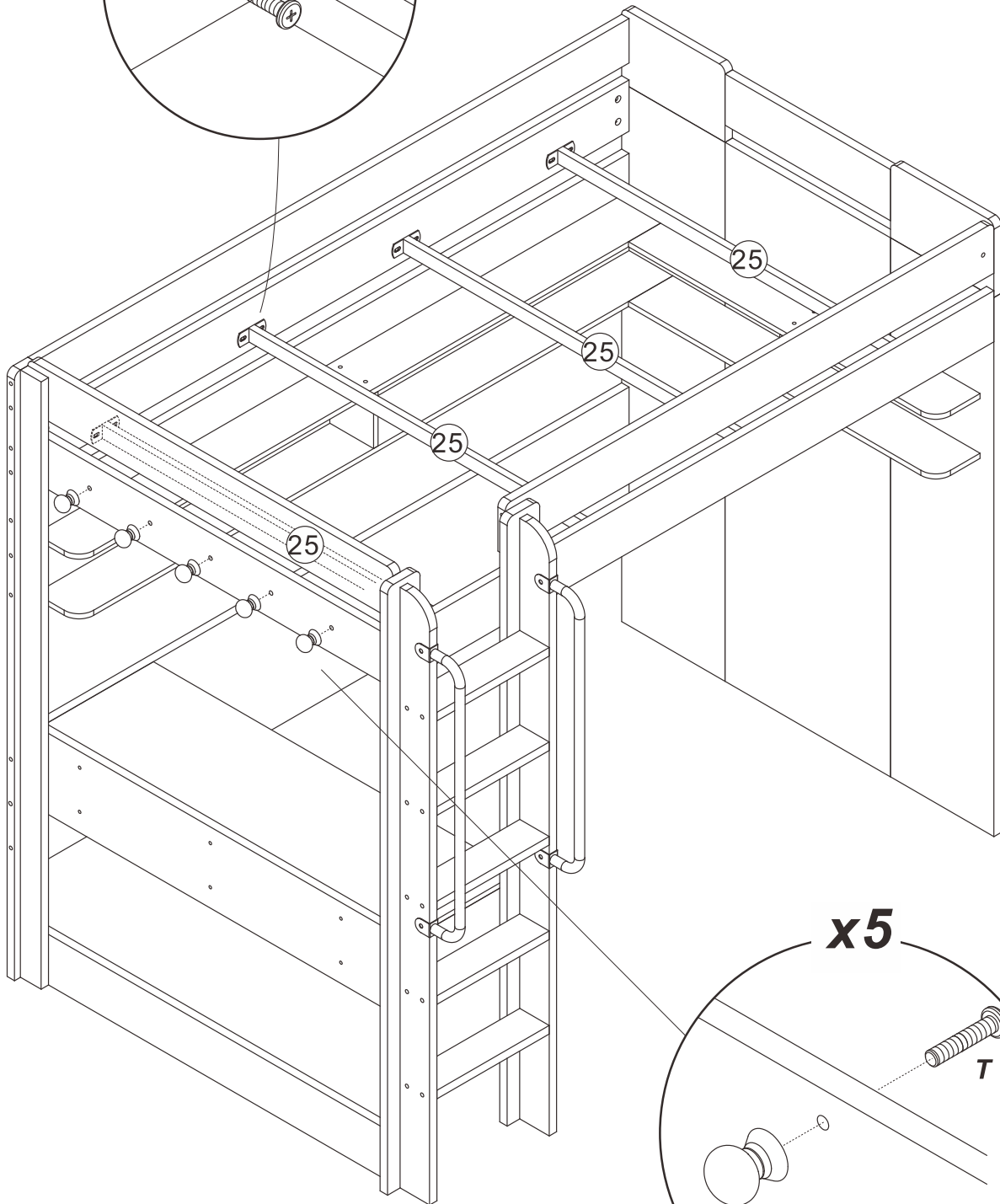
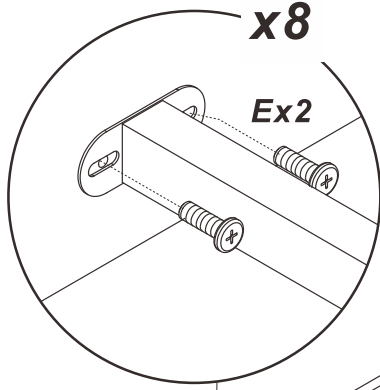


Kx8



M8*55

22.



Ex16



M6*15

Sx5

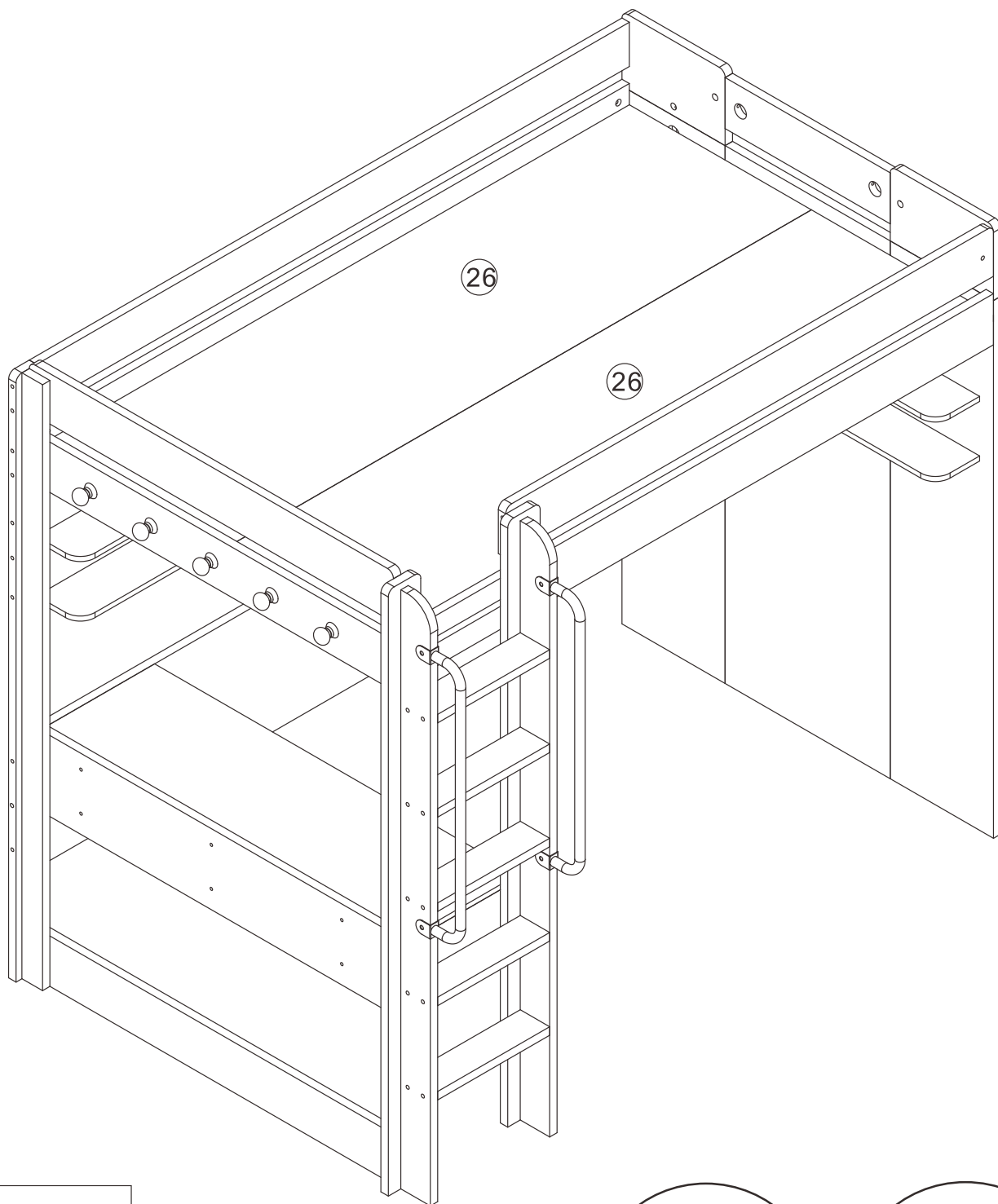


Tx5

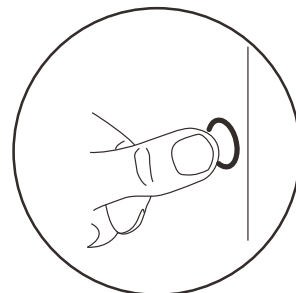
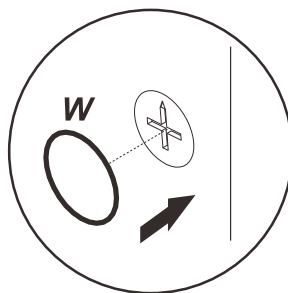
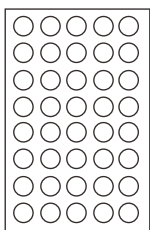


M4*28

23.



Wx100



Warranty and Guarantee

Faults and Warranty Claims

EzSpace warrants all goods to be free from defects in materials and workmanship, and of acceptable quality and durability for the purpose for which they are designed.

All goods come with guarantees that cannot be excluded under the Australian Consumer Law. You are entitled to a replacement or refund for a major failure and compensation for any other reasonably foreseeable loss or damage. You are also entitled to have the goods repaired or replaced if the goods fail to be of acceptable quality and the failure does not amount to a major failure.

Guarantee

EzSpace is guaranteed against faults in construction and material for a period of three years from the date of purchase for furnitures, such as bunk bed, loft bed and wallbed.

EzSpace is guaranteed against faults in construction and material for a period of five years from the date of purchase for mattresses.

EzSpace is guaranteed against faults in construction and material for a period of one year from the date of purchase for small items, such as bins or the “Paper” collection on our website.

We do not accept responsibility for any natural characteristics of materials used or any slight dents or marks occurring during transportation.

Please contact Our Customer Service Team with proof of purchase and all details of the fault.

This guarantee does not exclude any conditions or warranties implied by the Commonwealth Trade Practices Act, or by state legislation.

This guarantee is not transferable.



EzSpace Pty Ltd
ABN 51636115243
Phone: 1300219730
Email: admin@ezspace.com.au
Website: ezspace.com.au