

Safety Advice

PLEASE READ BEFORE YOU BEGIN:

- ° Please read and understand the instructions before assembly.
- ° Incorrect installation of the product could result in personal injury or physical damage. Please note that warranties do not cover injuries or damage under these circumstances.
- ° EzSpace recommends that eye protection is worn when assembling the product.
- ° EzSpace recommends at least two adults to assemble and install the product safely.
- ° This product must be placed on a flat and level surface while in use.
- ° EzSpace suggests to cover carpet or floor with soft materials before installation, and prepare the installation area with additional soft padding to prevent from any scratching to the floor surface.
- ° If you ordered additional drawers from us, please assemble drawers as the final step.
- ° If you ordered stairs/ staircase storage units from us, please assemble stairs after the bed and main components have been installed correctly. Installation instructions for stairs are separated provided.
- ° While these products are easy to install, we can recommend a qualified tradesperson to install if you are not comfortable with the installation of this product. Please contact us directly for assistance.

SAFETY WARNING

The bunk/loft bed is not to be placed near a ceiling fan unless the distance between the closest points on the ceiling fan and the bunk/loft bed is at least 2 m. Our products are designed to be installed by adults ONLY. Please keep children away during installation to prevent any unexpected injuries to the child or damage to the product. Warranties do not cover injuries or damage under these circumstances.

While our products meet Australian Standards, supervision for child use is required:

Children under the age of six should not use the upper bed if the bunk is of the type that has an upper bed suspended over a lower bed;

Children under the age of 12 should not use the bunk if it is of the type which has an elevated bed suspended over a play area, furniture or other feature;

Children should be discouraged from playing on the bunk bed.

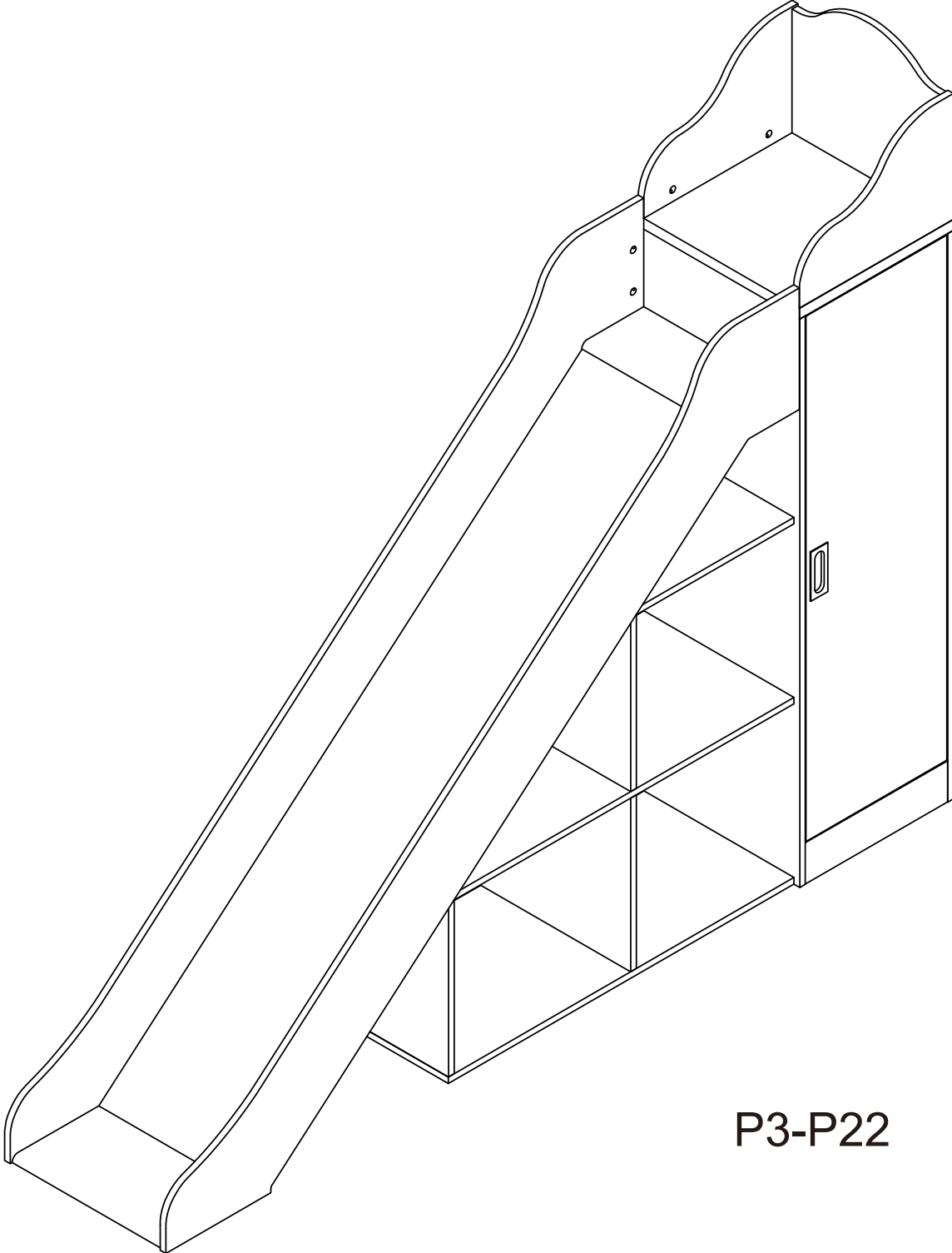
The bunk/loft bed should be checked periodically to ensure that the guardrail, ladder and other components are maintained in the correct position and state of repair and that all connectors are tight.



Contact us

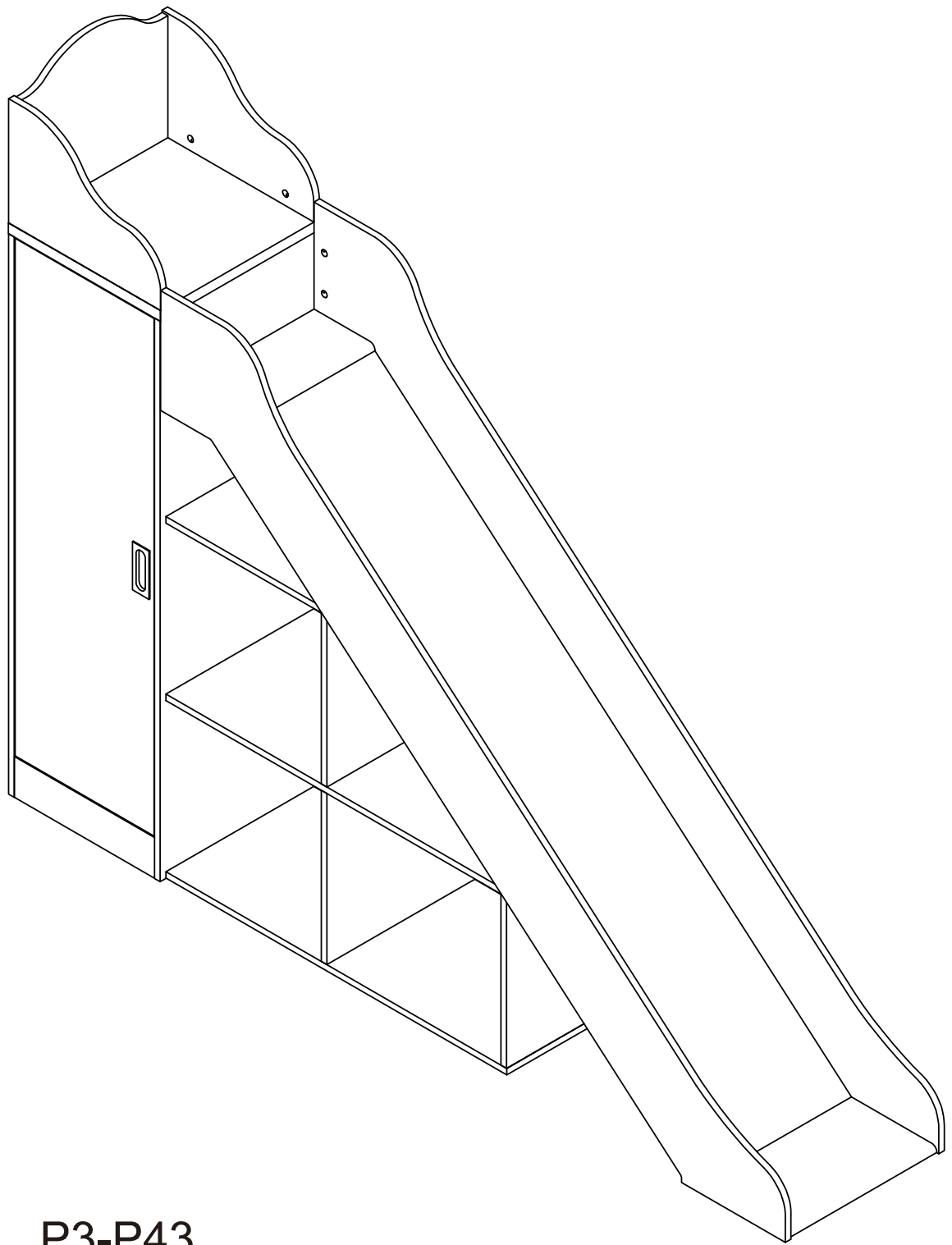
products@ezspace.com.au

TEOM Slide Installation Manual



P3-P22

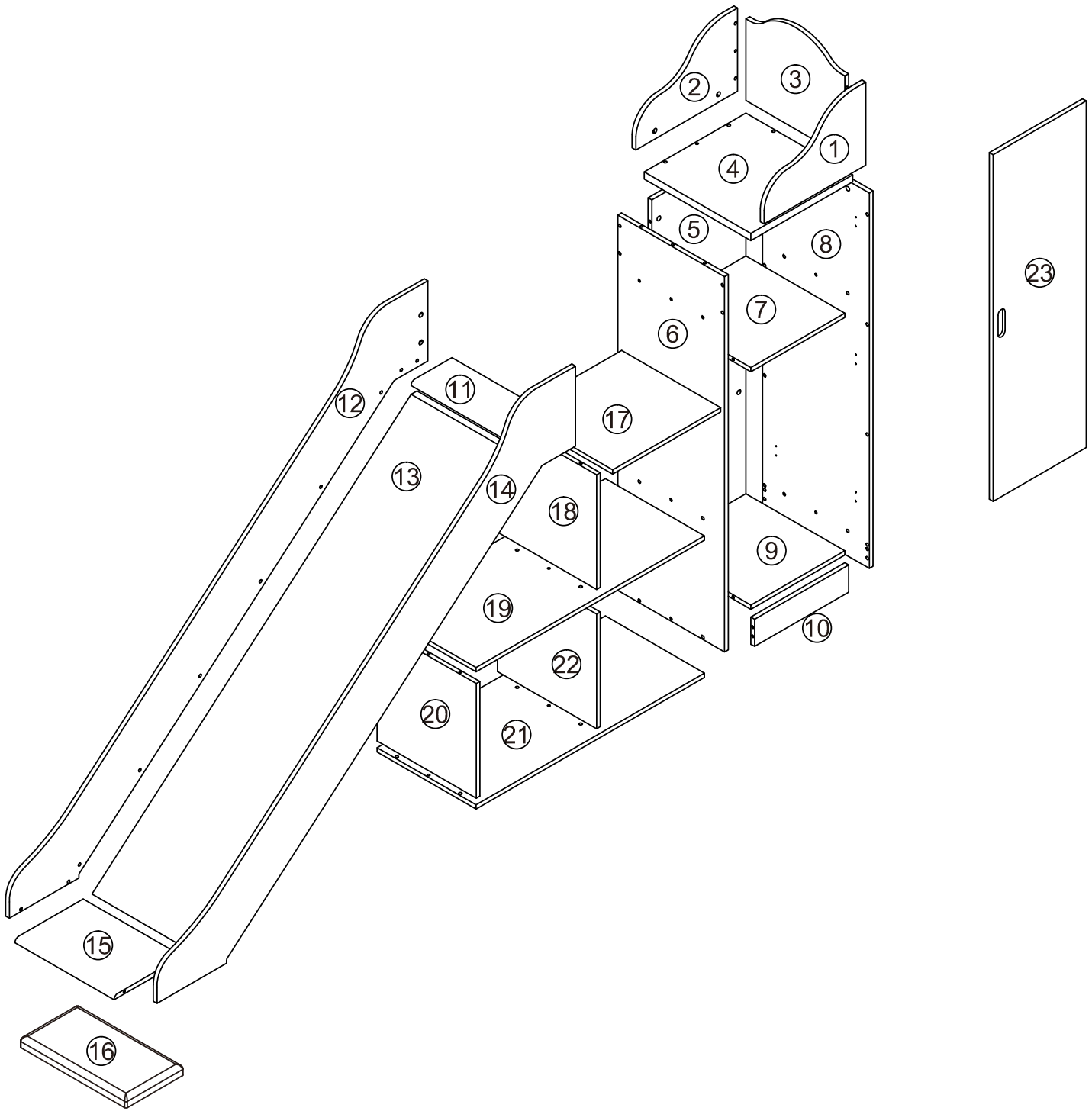


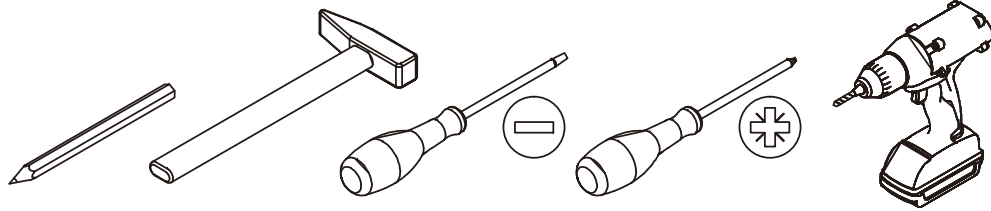
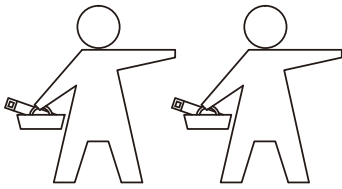


P3-P43

COMPONENT SIZE

NO.	DIM.(mm)			QTY.
	L	W	H	
01	410	290	15	1
02	410	290	15	1
03	399	365	15	1
04	430	410	25	1
05	1310	379	15	1
06	1310	430	15	1
07	399	379	15	1
08	1310	430	15	1
09	399	379	15	1
10	379	95	15	1
11	399	166	15	1
12	2180	344	15	1
13	1711	399	15	1
14	2180	344	15	1
15	399	276	15	1
16	391	217	30	1
17	435	399	15	1
18	399	399	15	1
19	920	399	15	1
20	399	399	15	1
21	920	399	15	1
22	399	399	15	1
23	1210	375	15	1



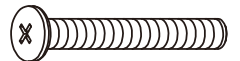
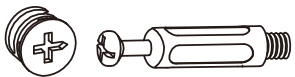


Ax76

Bx20

Cx1

Dx2



8X30

8X50

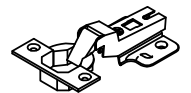
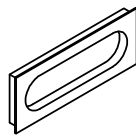
M6*50

Ex2

Fx1

GX2

Hx3



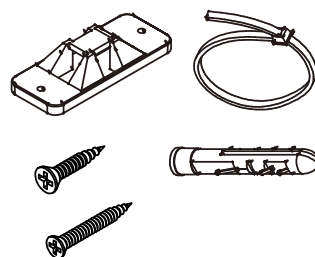
M6

M4*8

Ix12

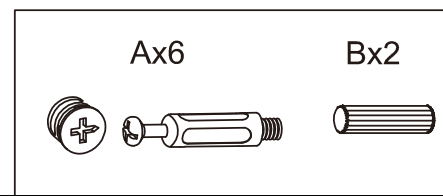
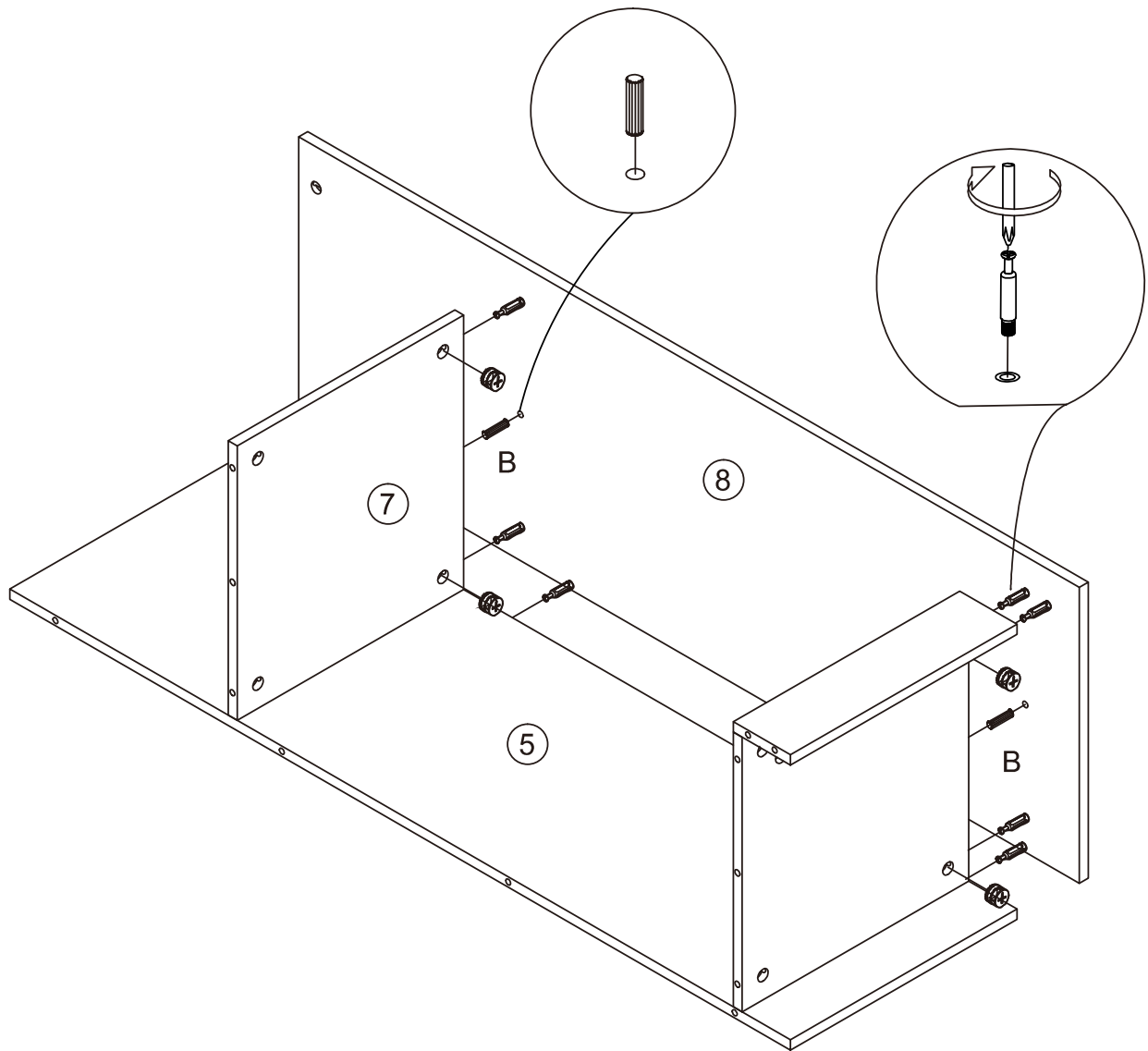
LX18

Px1

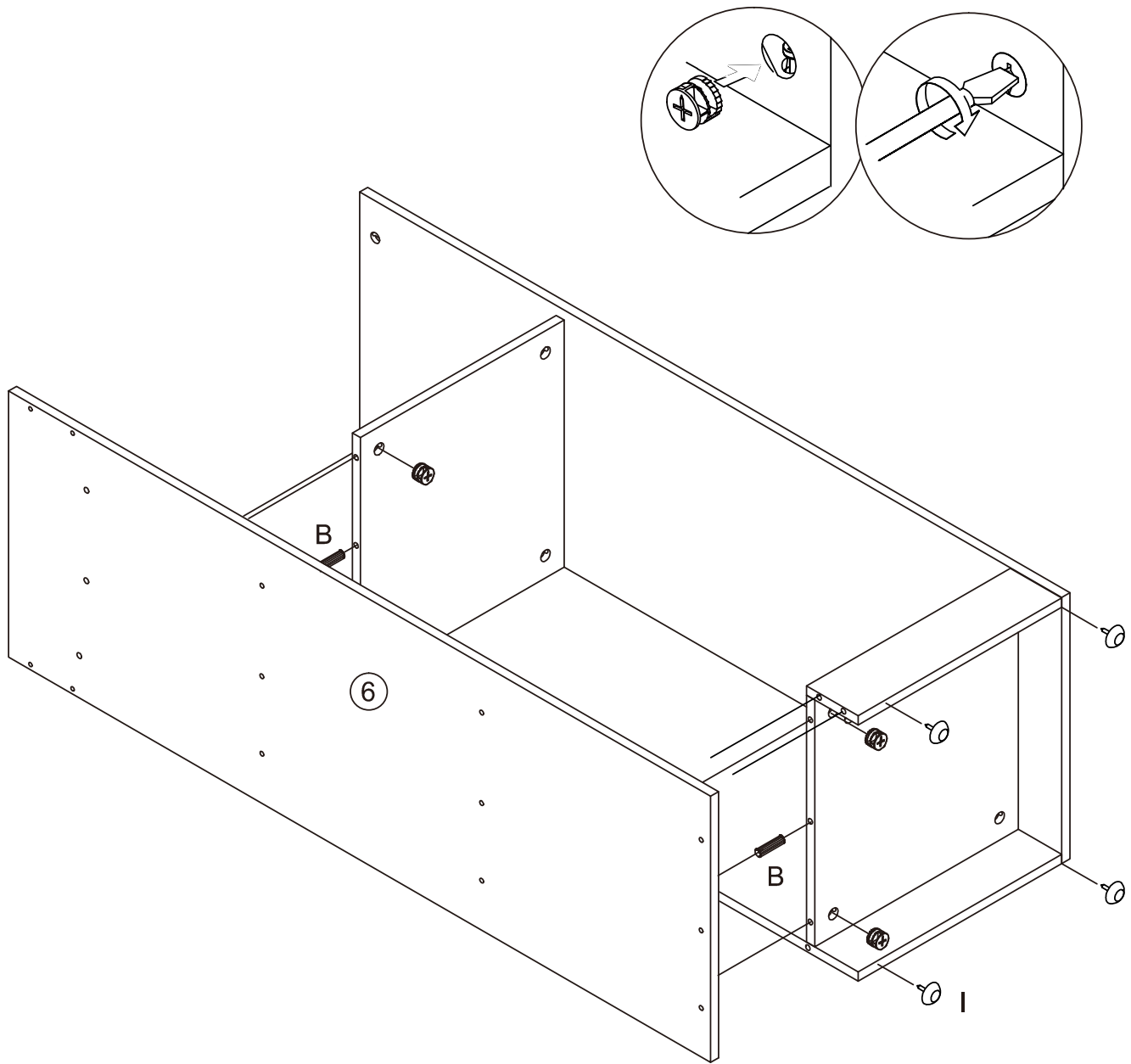


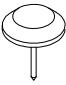



M3.5*14

1.

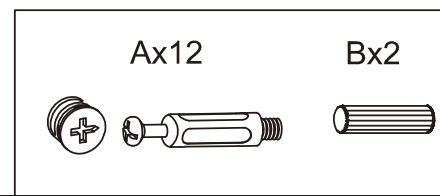
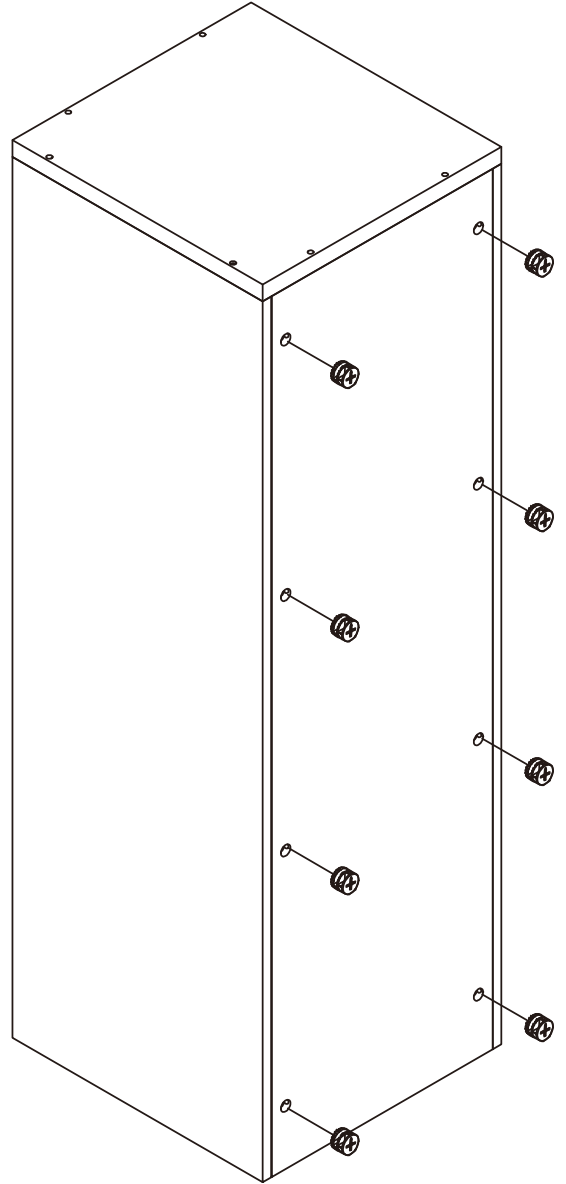
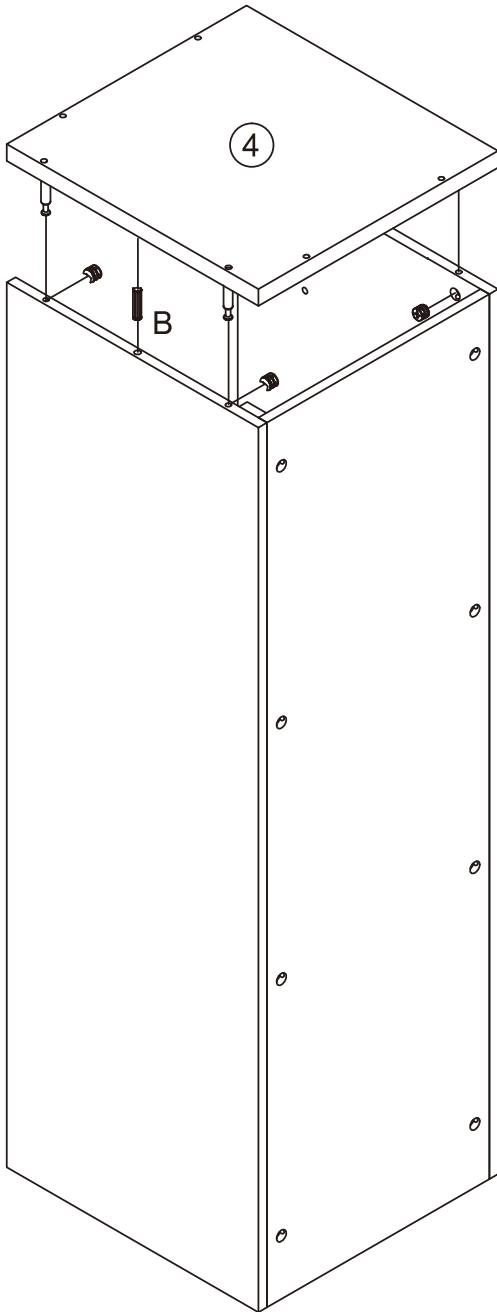
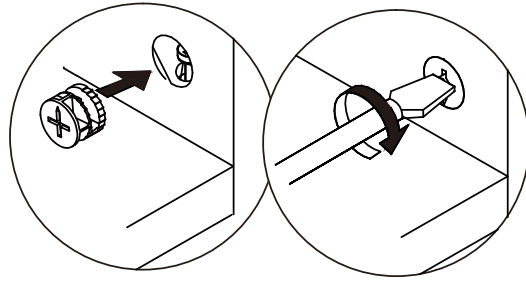


2.

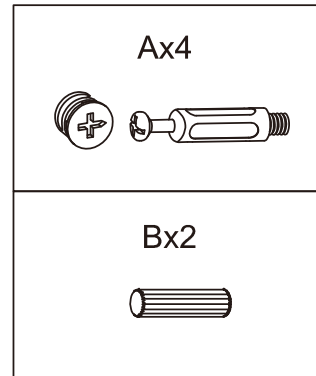
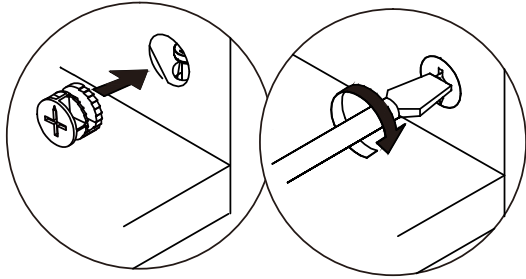
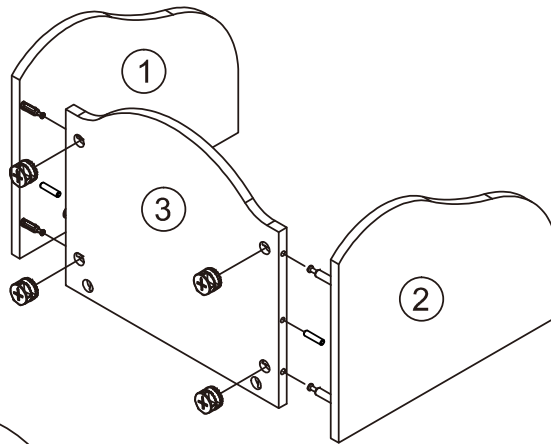


Ix4	Ax6	Bx2
	 	

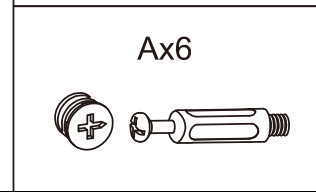
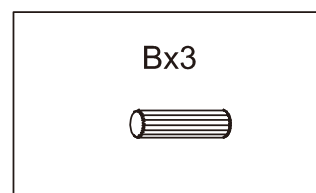
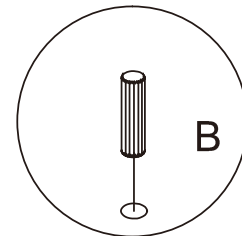
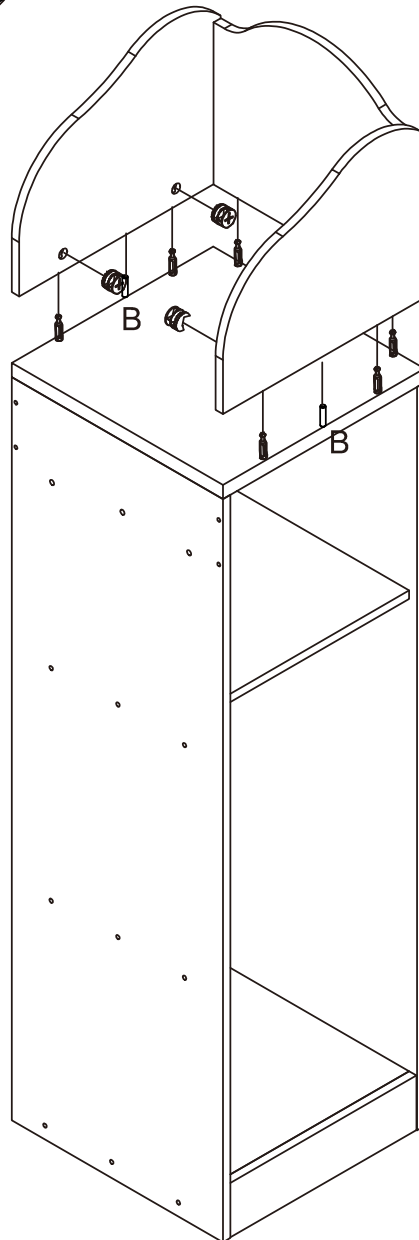
3.



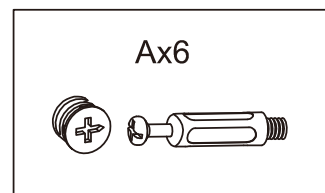
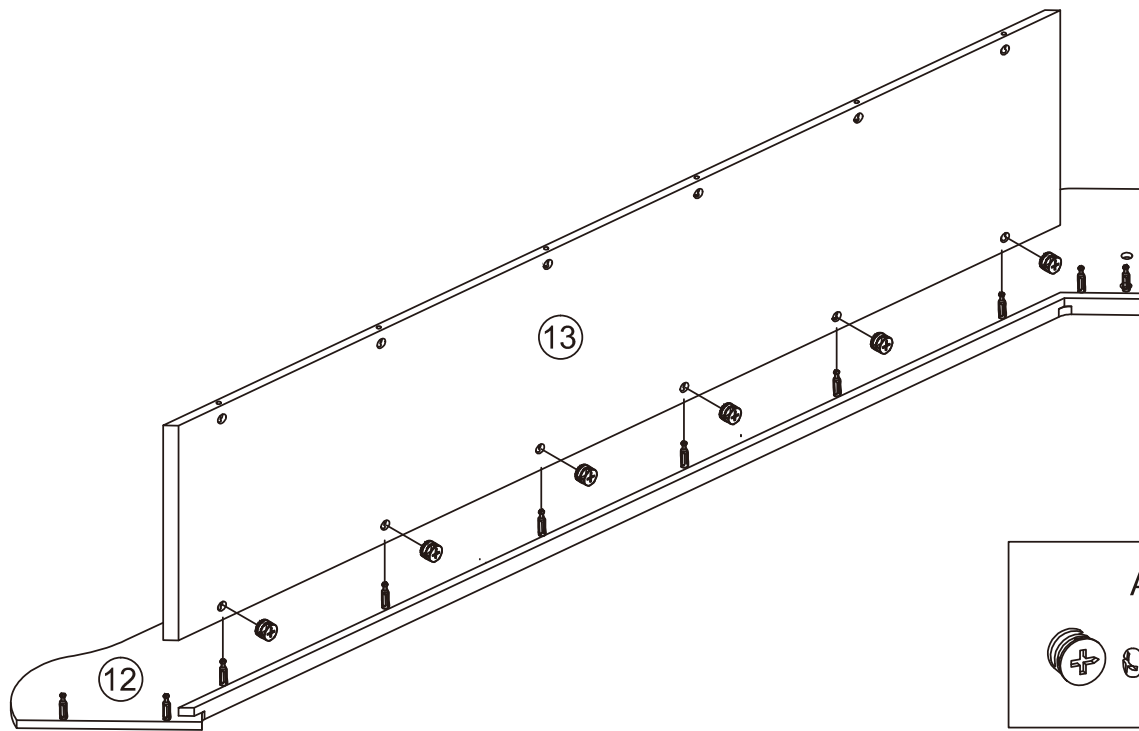
4.



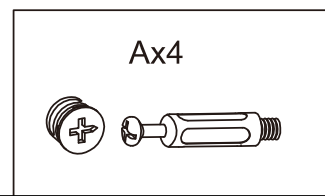
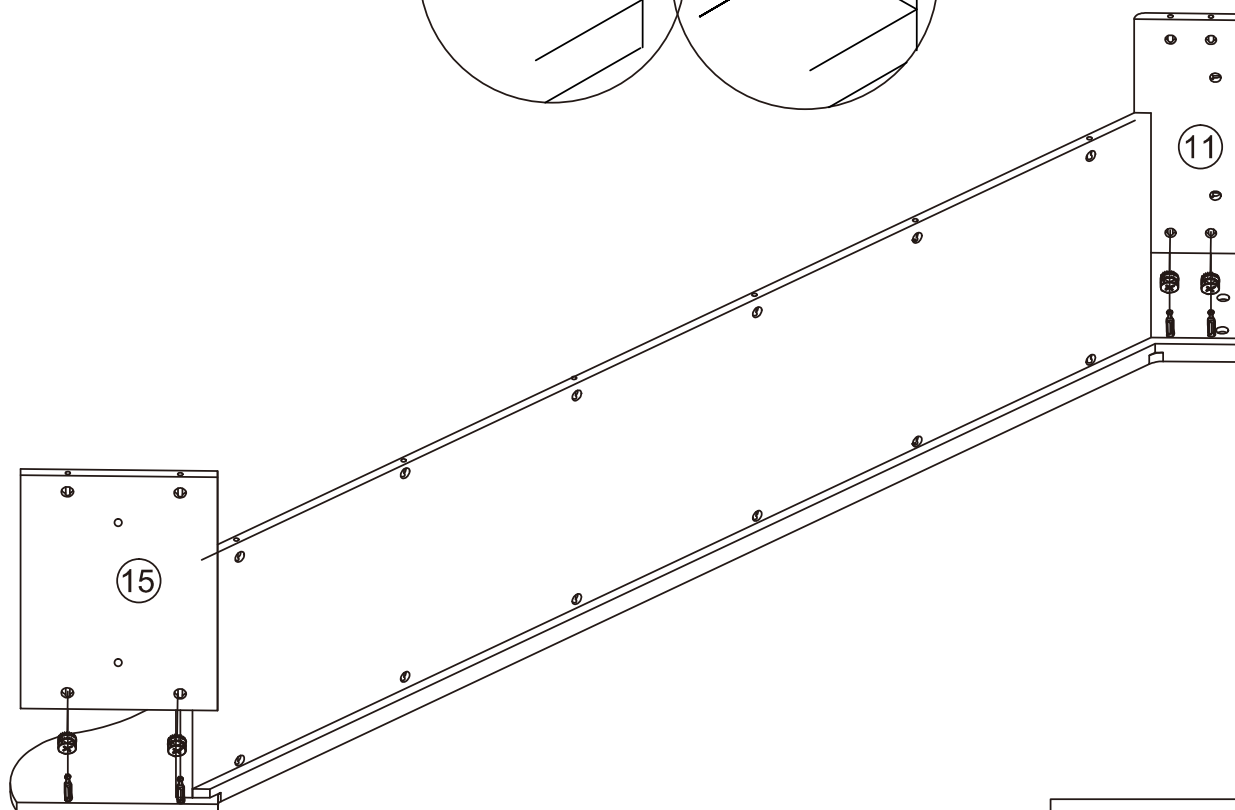
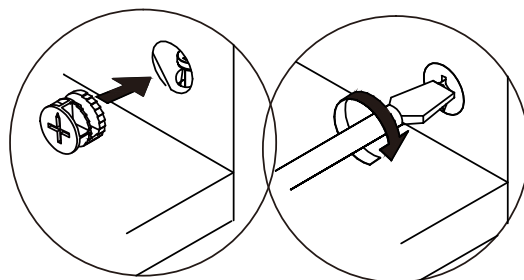
5.



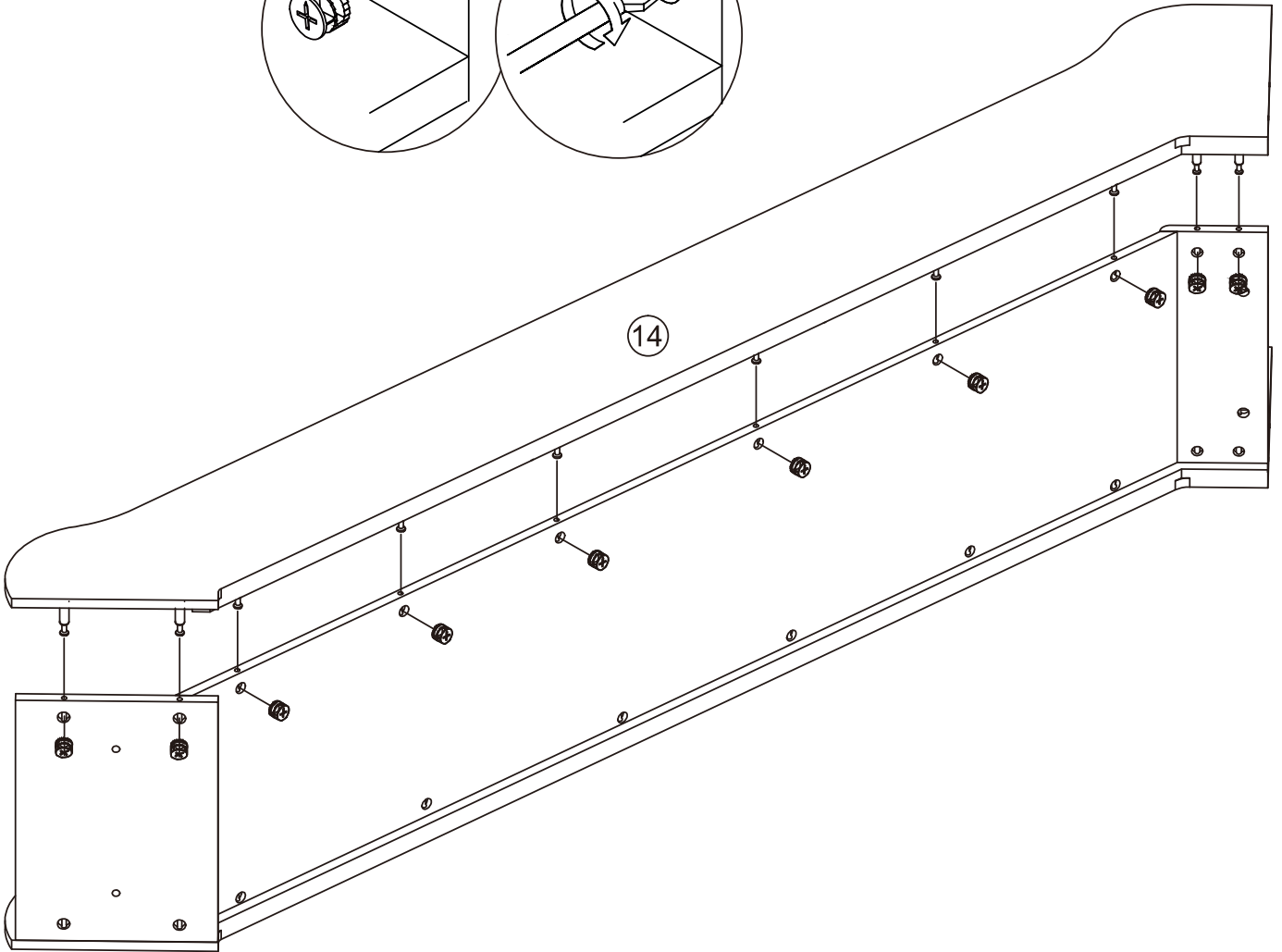
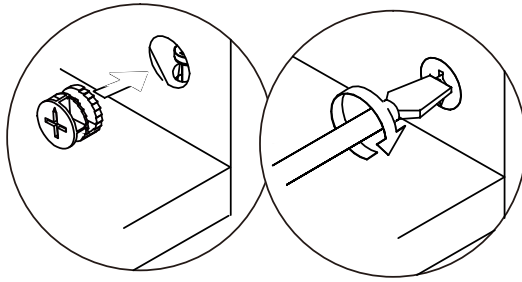
6.



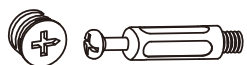
7.



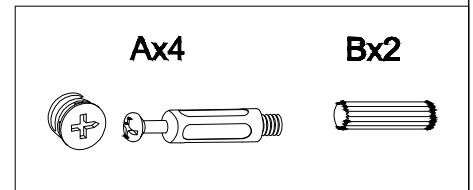
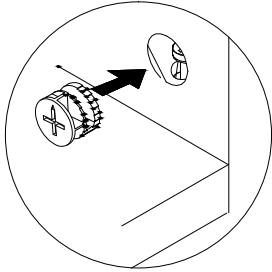
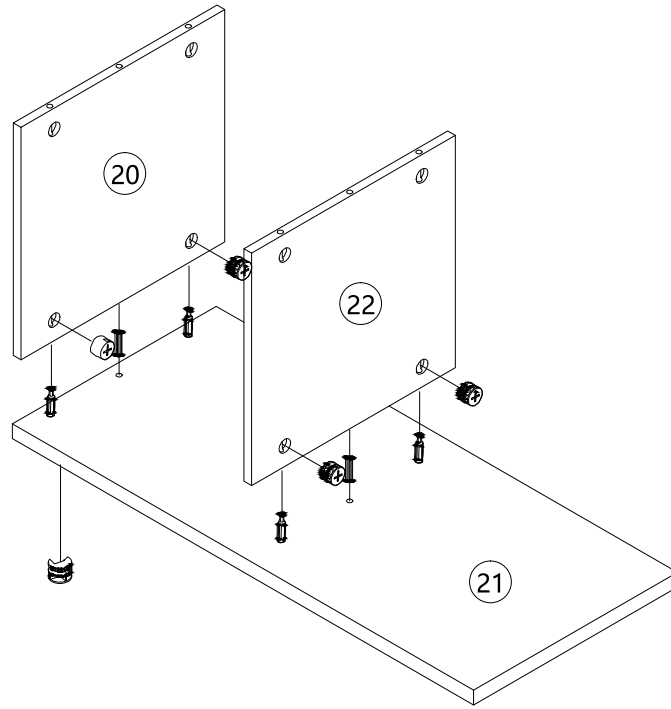
8.



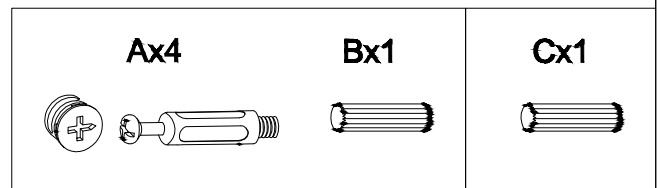
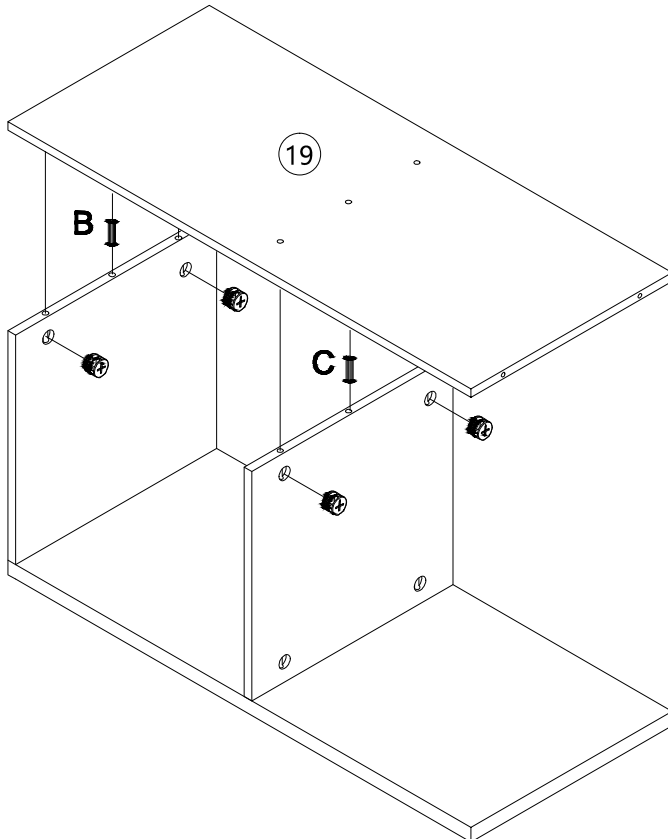
Ax10



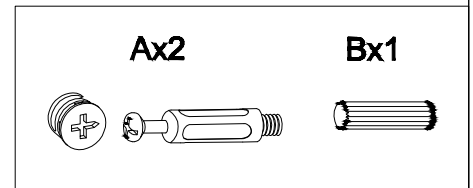
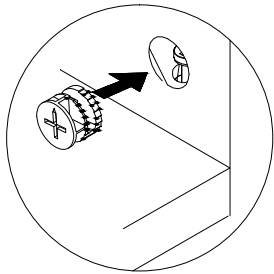
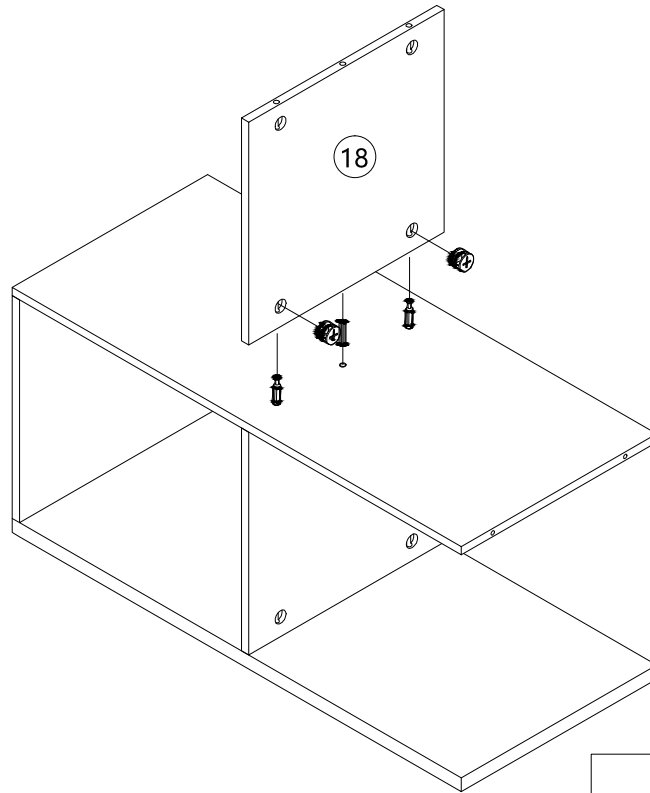
9.



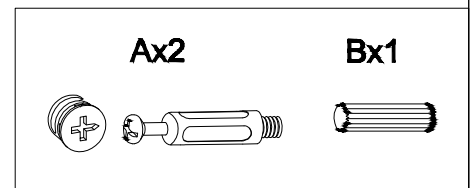
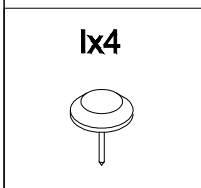
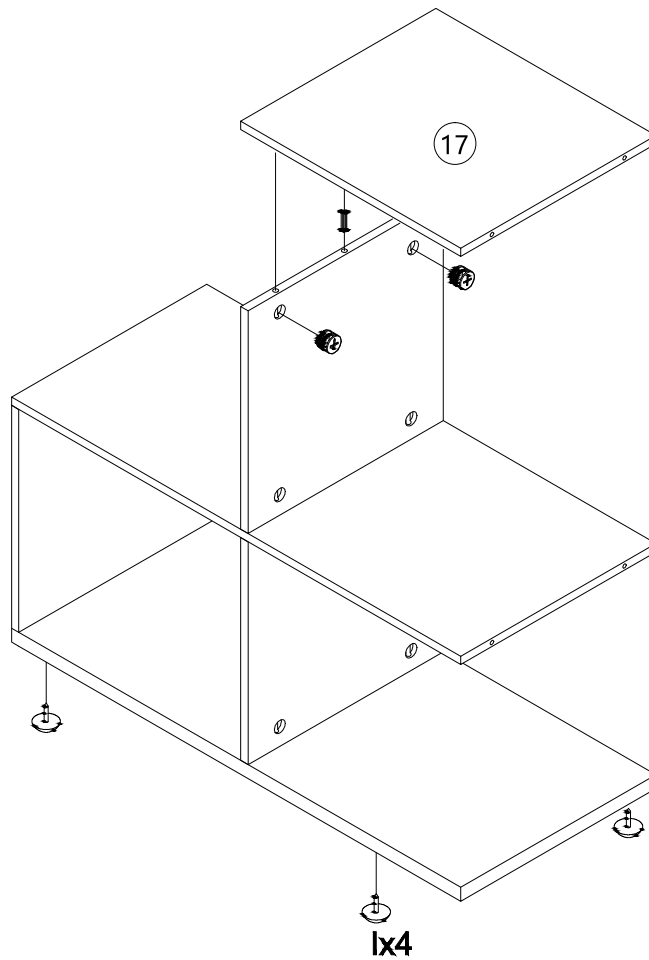
10.



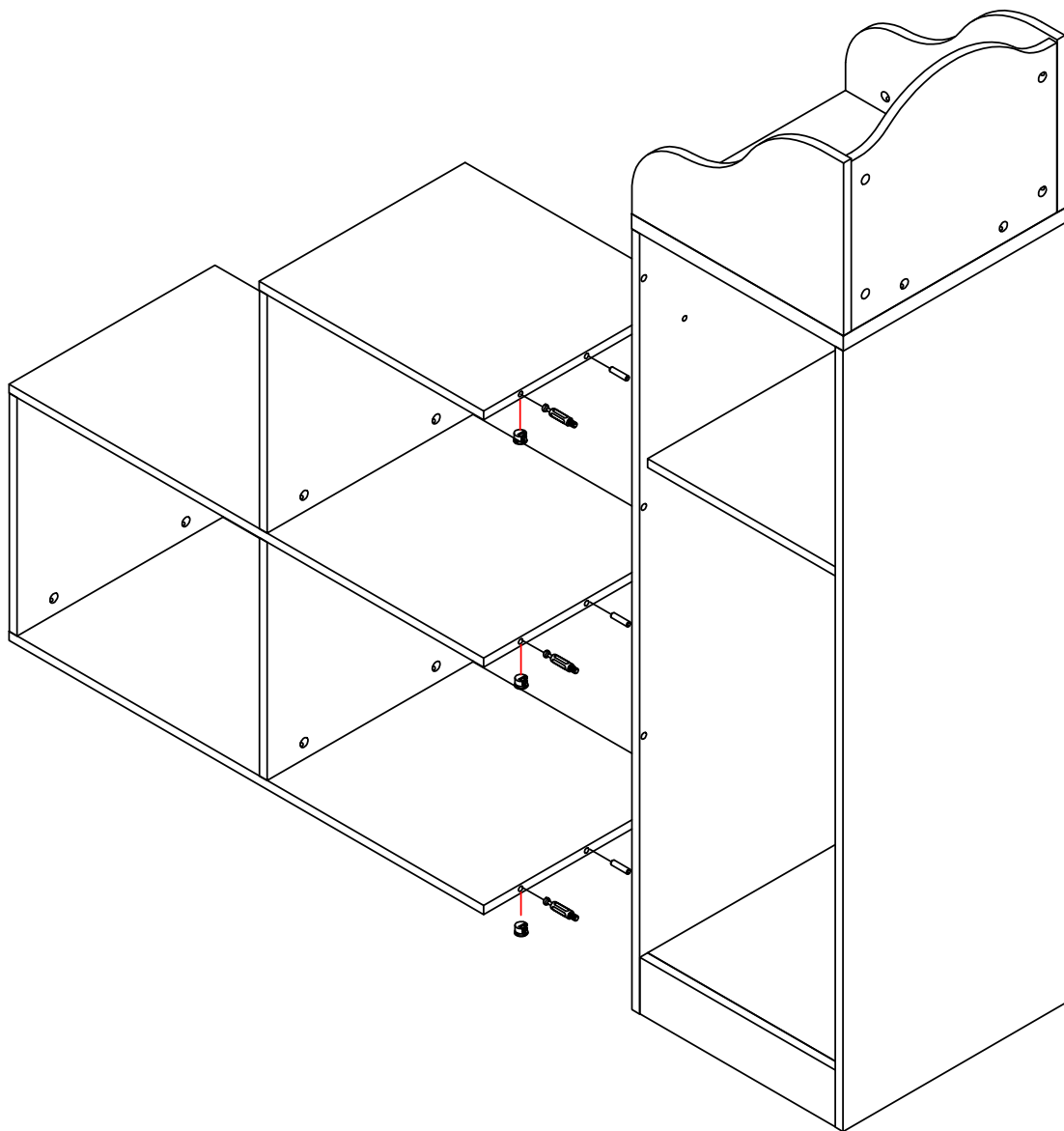
11.



12.



13.

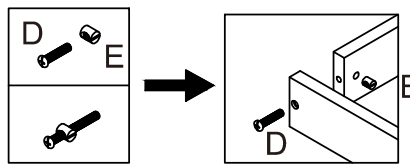
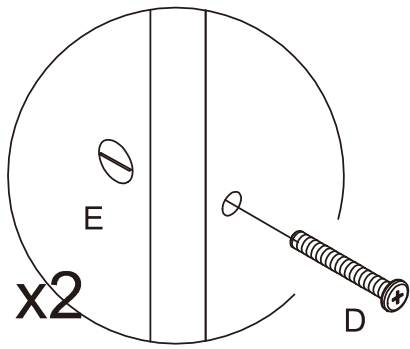
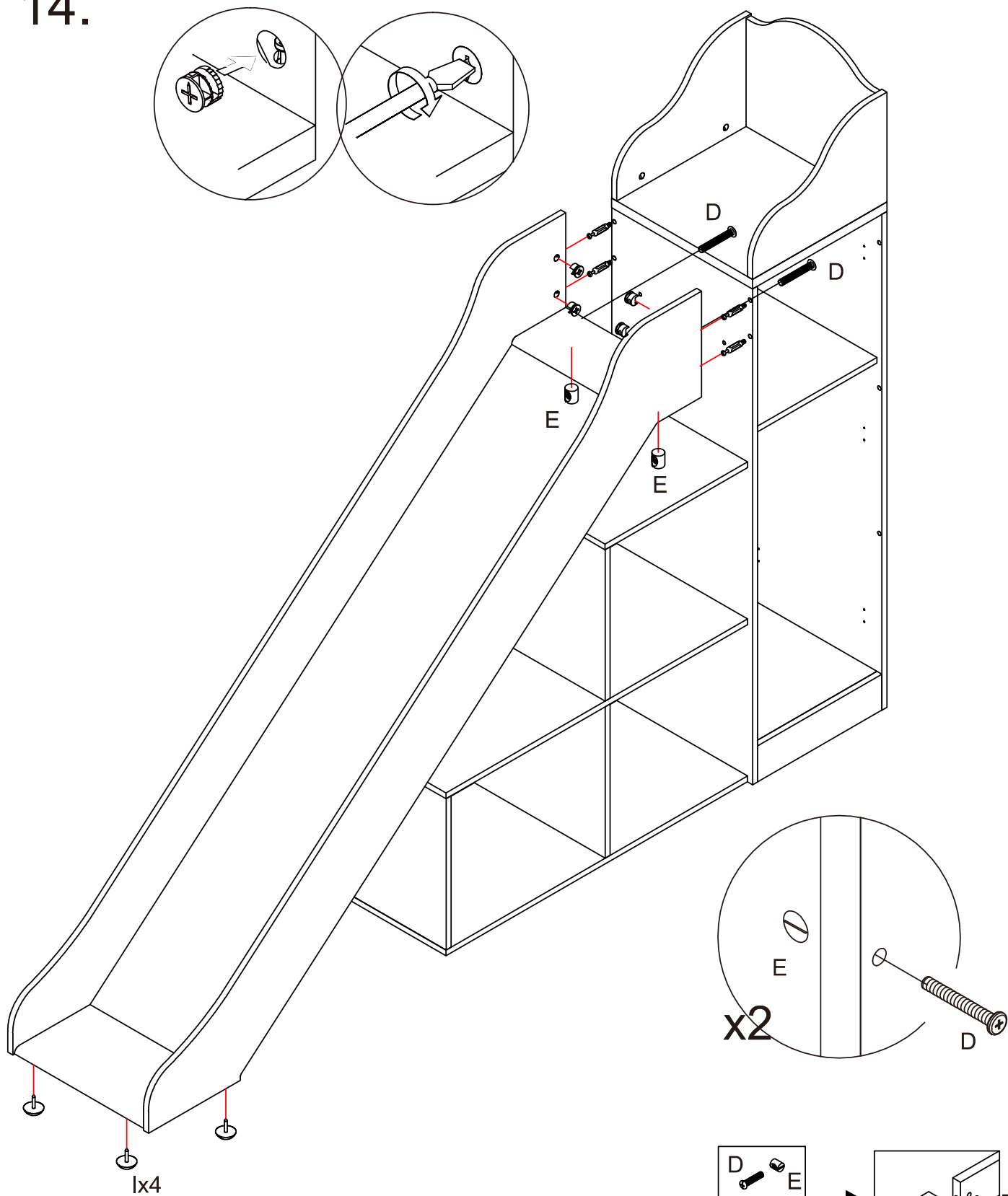


Ax6

Bx3



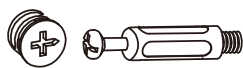
14.



1x4



Ax4



Dx2



M6*50

Ex2



M6

Bx1



1x4

Ax4

Dx2

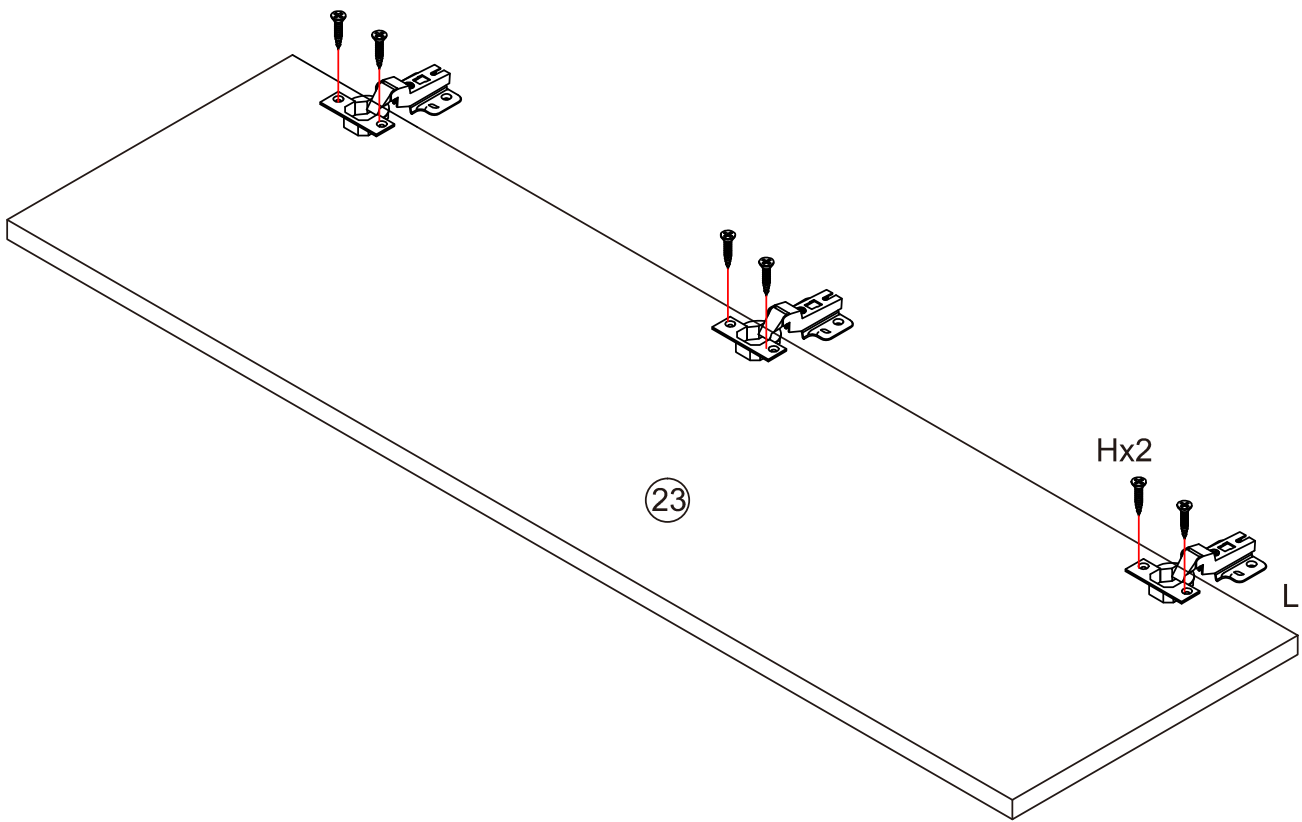
M6*50

Ex2

M6

Bx1

15.



Lx6

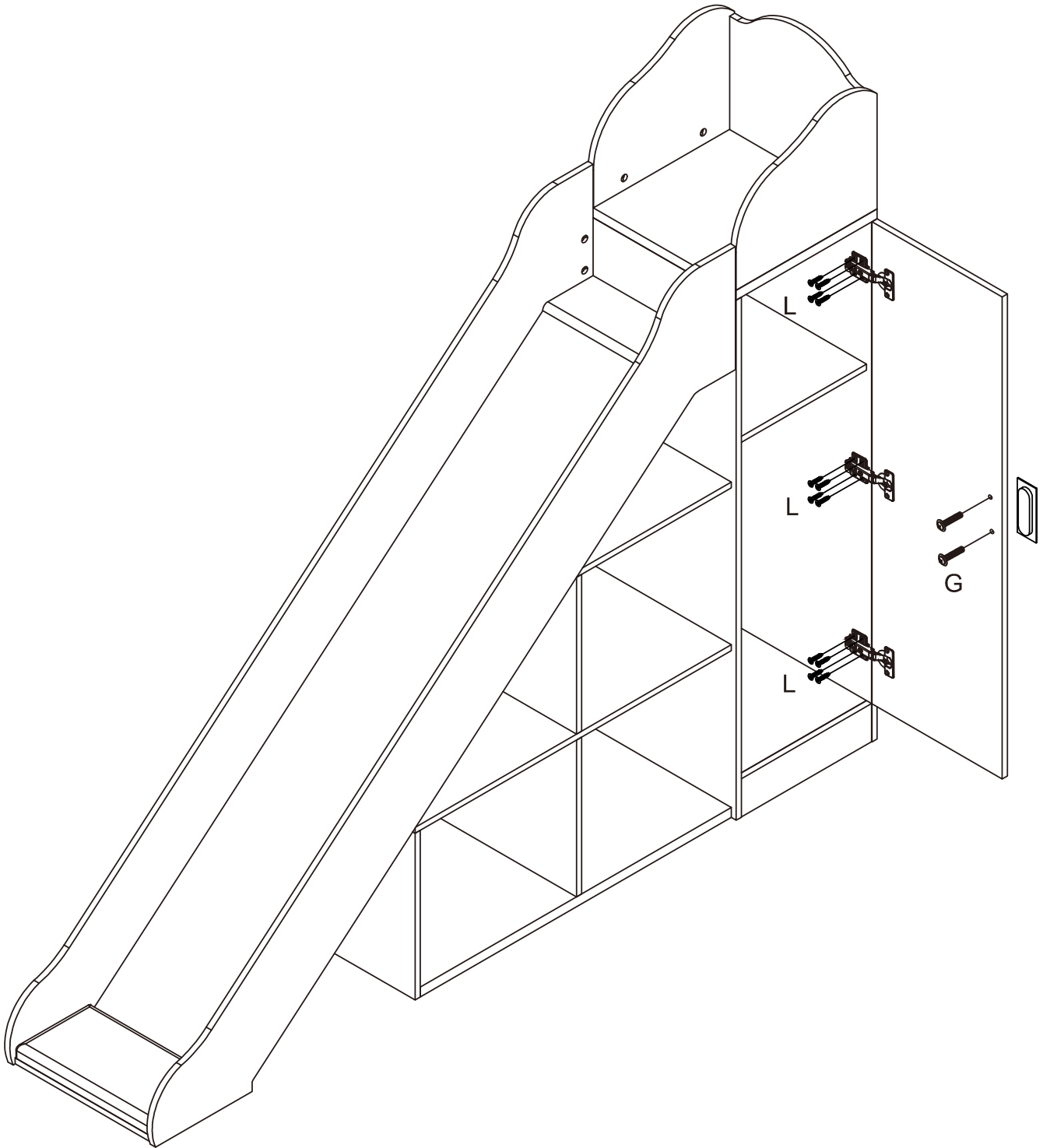


3.5*14

Hx3



16.



Lx12



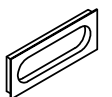
3.5*14

GX2

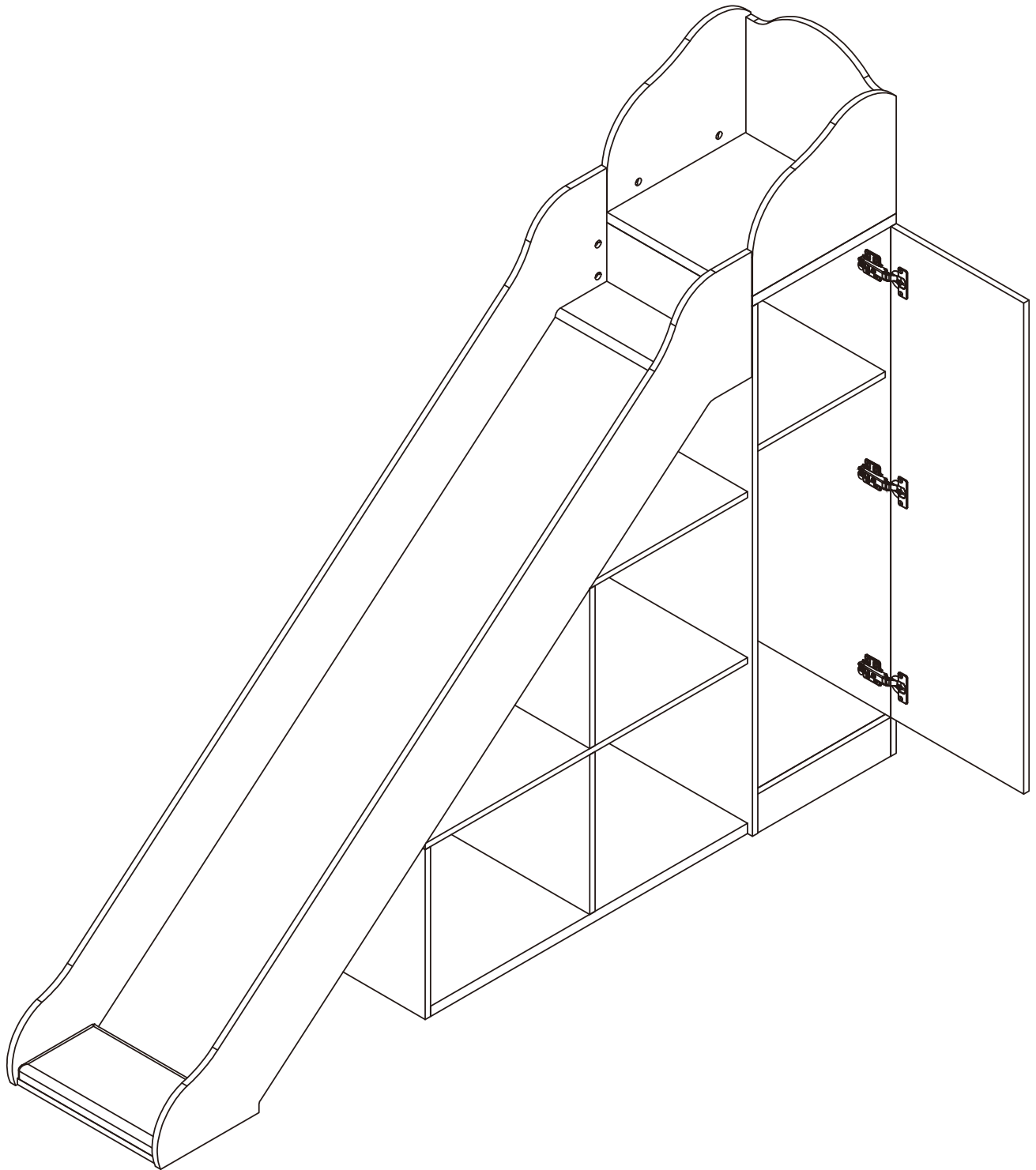


M4*8

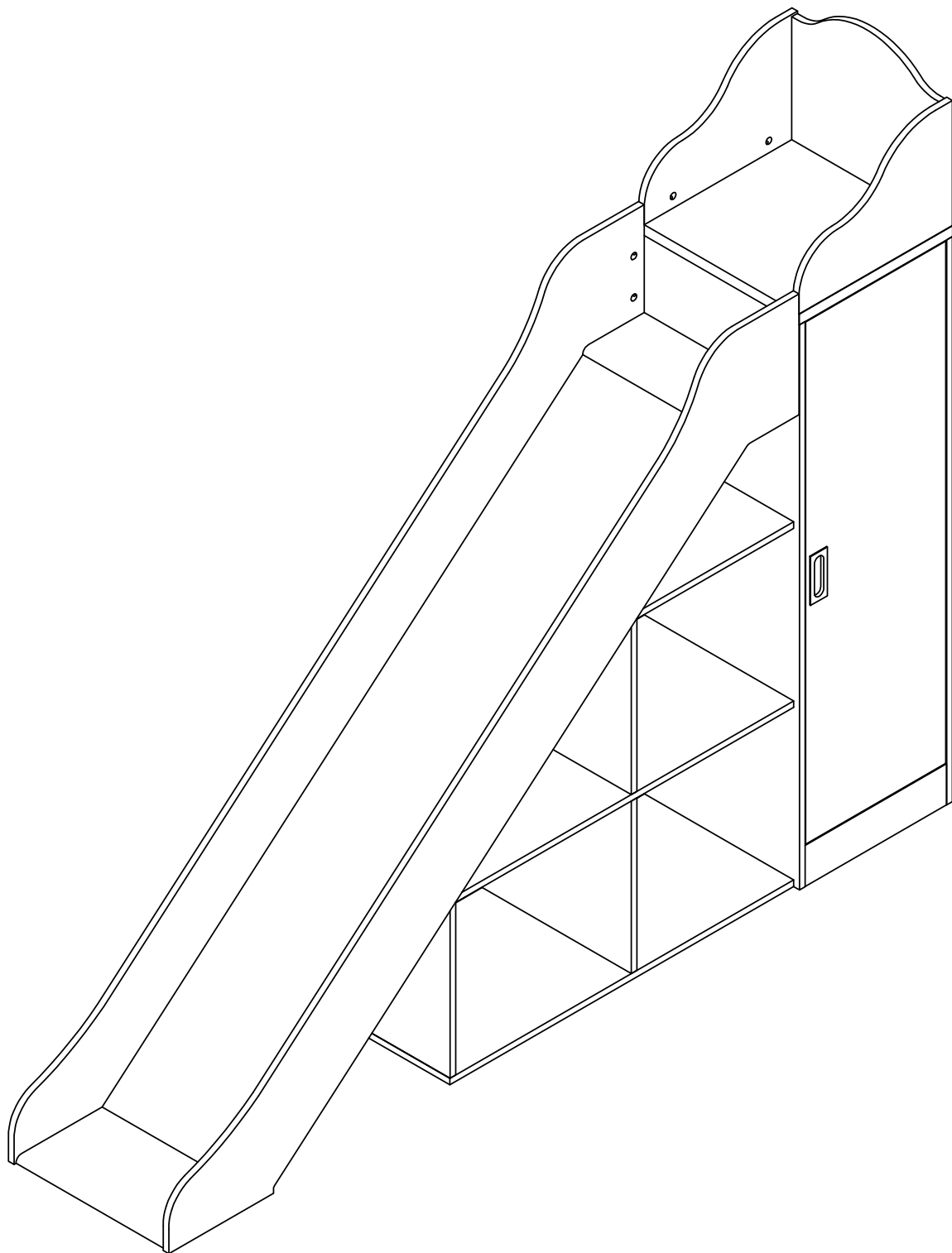
Fx1



17.

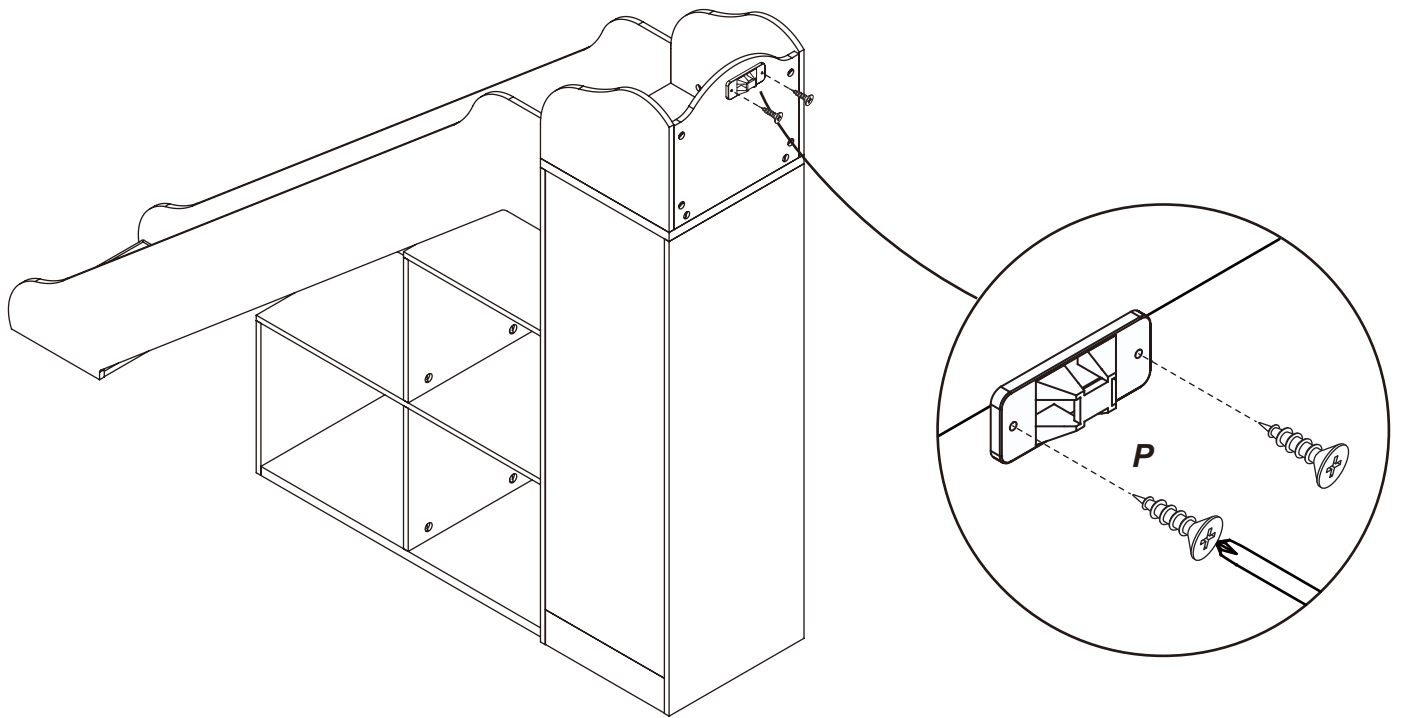


18.

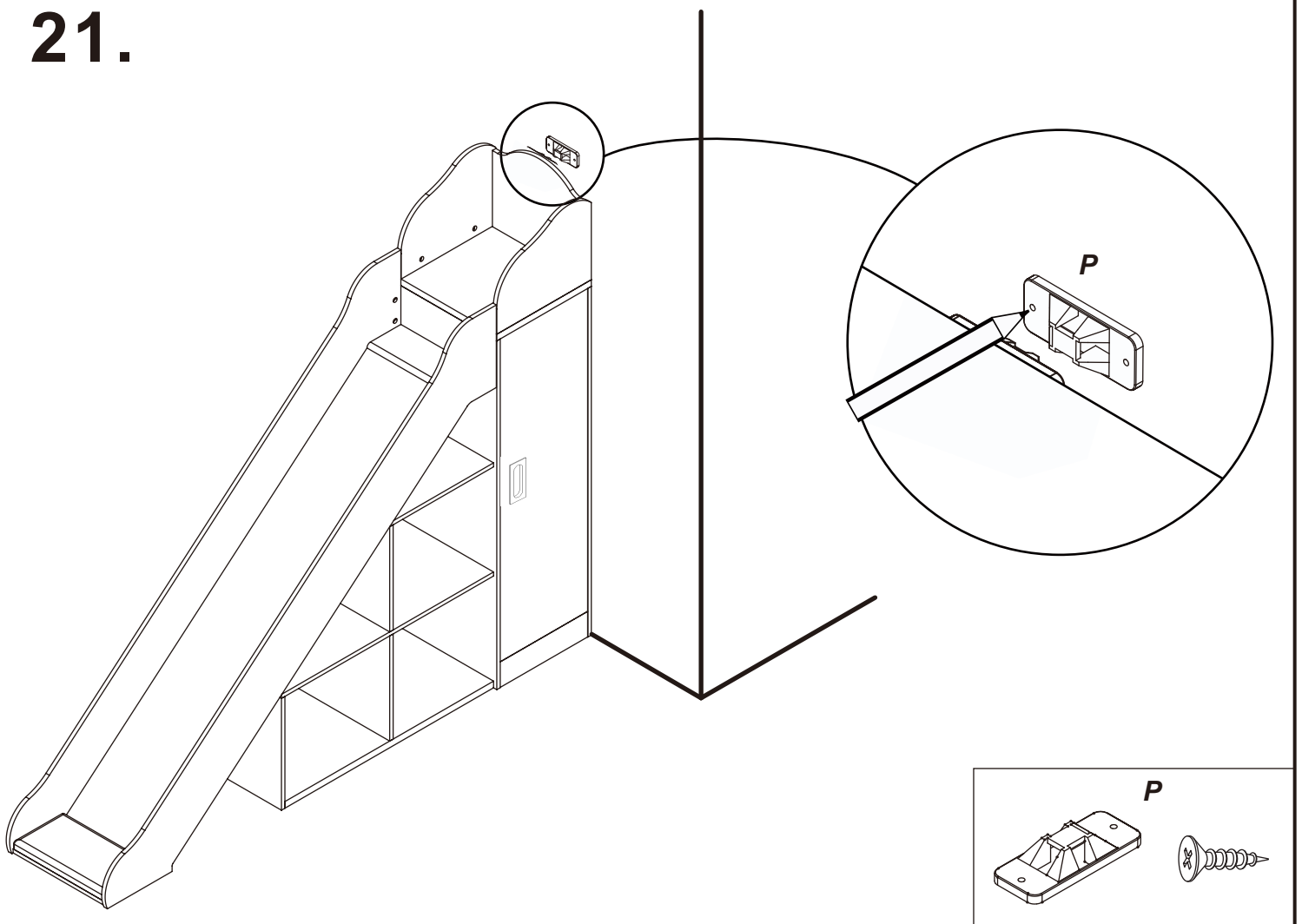


19.

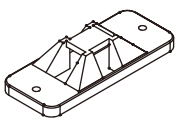
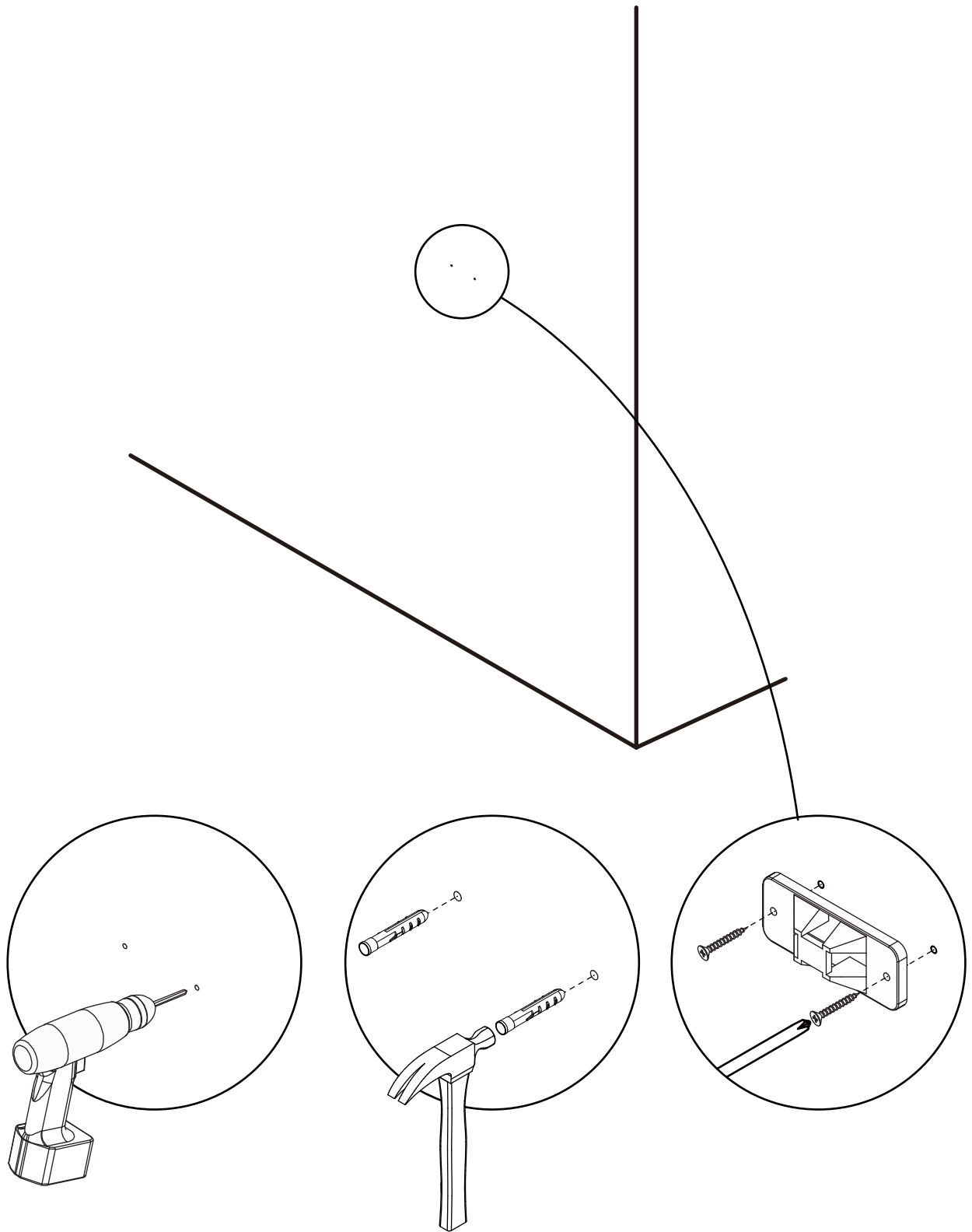
20.



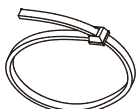
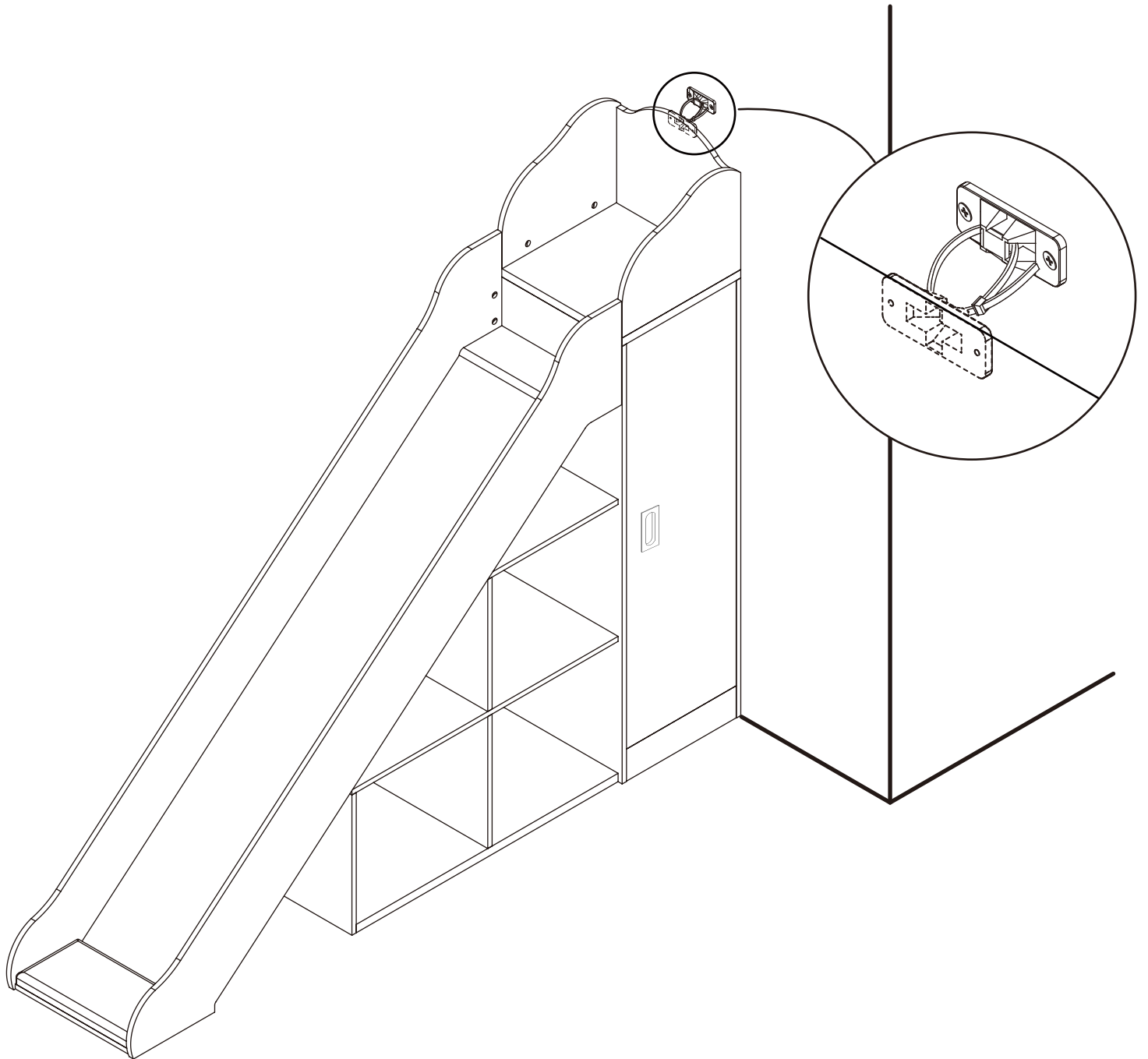
21.



22.



23.



Warranty and Guarantee

Faults and Warranty Claims

EzSpace warrants all goods to be free from defects in materials and workmanship, and of acceptable quality and durability for the purpose for which they are designed.

All goods come with guarantees that cannot be excluded under the Australian Consumer Law. You are entitled to a replacement or refund for a major failure and compensation for any other reasonably foreseeable loss or damage. You are also entitled to have the goods repaired or replaced if the goods fail to be of acceptable quality and the failure does not amount to a major failure.

Guarantee

EzSpace is guaranteed against faults in construction and material for a period of three years from the date of purchase for furnitures, such as bunk bed, loft bed and wallbed.

EzSpace is guaranteed against faults in construction and material for a period of five years from the date of purchase for mattresses.

EzSpace is guaranteed against faults in construction and material for a period of one year from the date of purchase for small items, such as bins or the “Paper” collection on our website.

We do not accept responsibility for any natural characteristics of materials used or any slight dents or marks occurring during transportation.

Please contact Our Customer Service Team with proof of purchase and all details of the fault.

This guarantee does not exclude any conditions or warranties implied by the Commonwealth Trade Practices Act, or by state legislation.

This guarantee is not transferable.



EzSpace Pty Ltd
ABN 51636115243
Phone: 1300219730
Email: admin@ezspace.com.au
Website: ezspace.com.au

Safety Advice

PLEASE READ BEFORE YOU BEGIN:

- ° Please read and understand the instructions before assembly.
- ° Incorrect installation of the product could result in personal injury or physical damage. Please note that warranties do not cover injuries or damage under these circumstances.
- ° EzSpace recommends that eye protection is worn when assembling the product.
- ° EzSpace recommends at least two adults to assemble and install the product safely.
- ° This product must be placed on a flat and level surface while in use.
- ° EzSpace suggests to cover carpet or floor with soft materials before installation, and prepare the installation area with additional soft padding to prevent from any scratching to the floor surface.
- ° If you ordered additional drawers from us, please assemble drawers as the final step.
- ° If you ordered stairs/ staircase storage units from us, please assemble stairs after the bed and main components have been installed correctly. Installation instructions for stairs are separated provided.
- ° While these products are easy to install, we can recommend a qualified tradesperson to install if you are not comfortable with the installation of this product. Please contact us directly for assistance.

SAFETY WARNING

The bunk/loft bed is not to be placed near a ceiling fan unless the distance between the closest points on the ceiling fan and the bunk/loft bed is at least 2 m. Our products are designed to be installed by adults ONLY. Please keep children away during installation to prevent any unexpected injuries to the child or damage to the product. Warranties do not cover injuries or damage under these circumstances.

While our products meet Australian Standards, supervision for child use is required:

Children under the age of six should not use the upper bed if the bunk is of the type that has an upper bed suspended over a lower bed;

Children under the age of 12 should not use the bunk if it is of the type which has an elevated bed suspended over a play area, furniture or other feature;

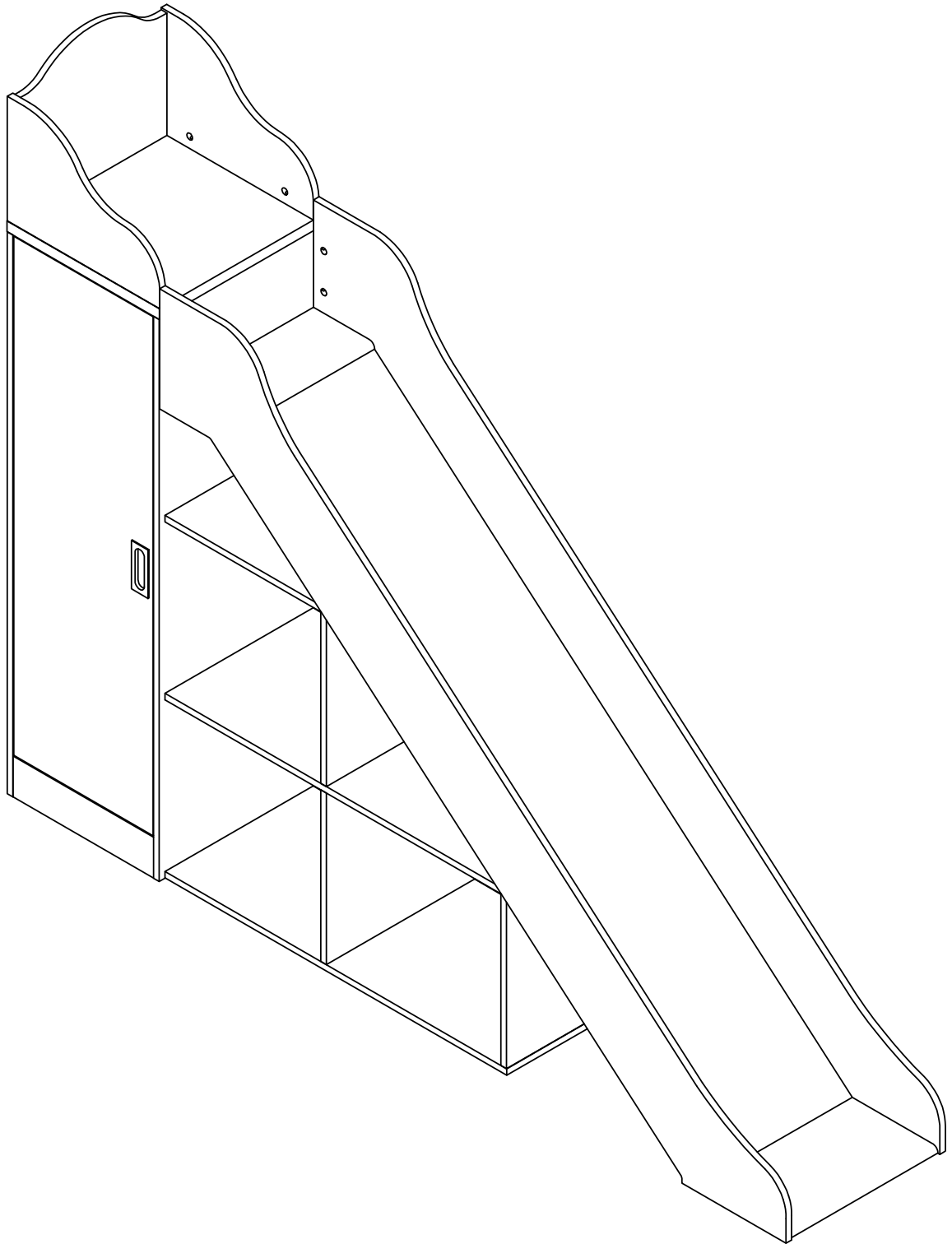
Children should be discouraged from playing on the bunk bed.

The bunk/loft bed should be checked periodically to ensure that the guardrail, ladder and other components are maintained in the correct position and state of repair and that all connectors are tight.



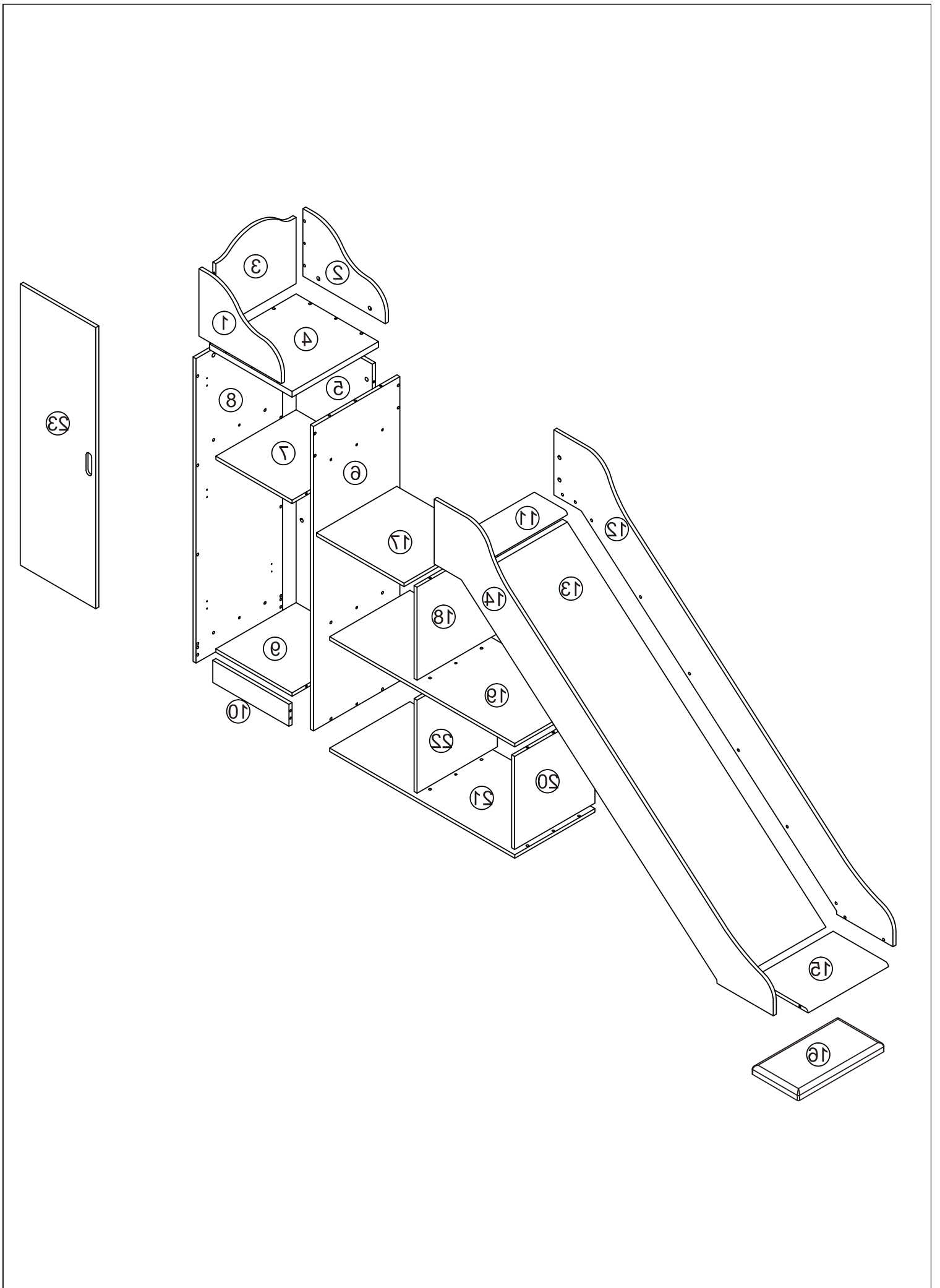
Contact us

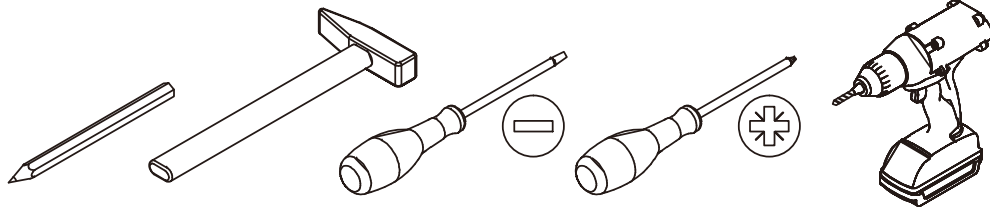
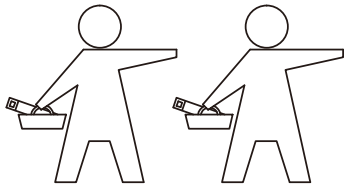
products@ezspace.com.au

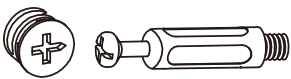


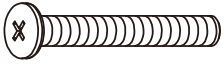

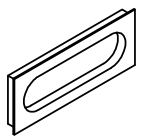

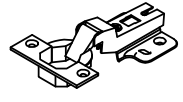
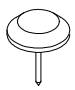
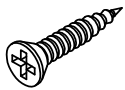
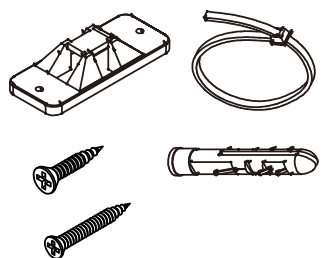


COMPONENT SIZE

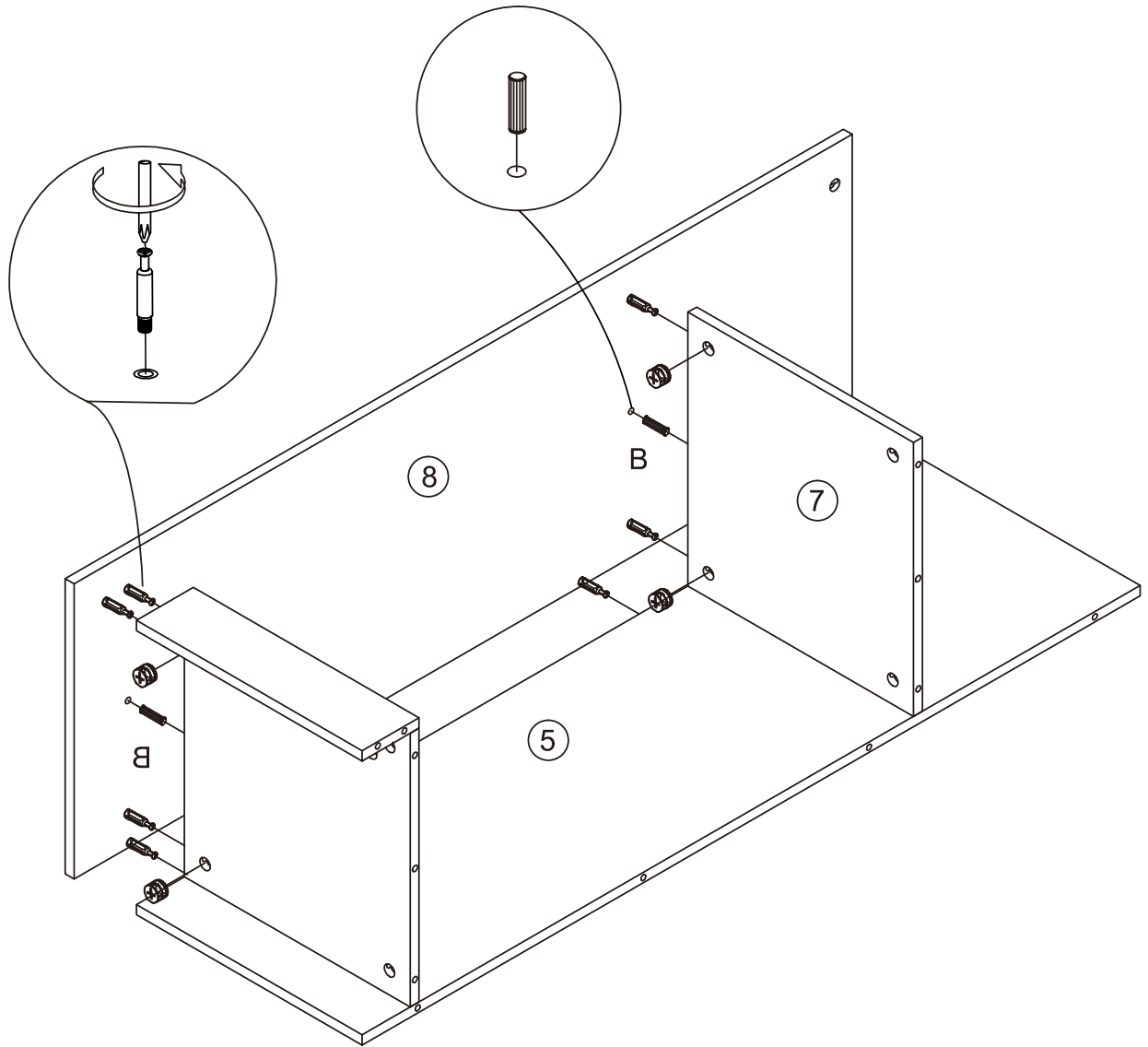
NO.	DIM.(mm)			QTY.
	L	W	H	
01	410	290	15	1
02	410	290	15	1
03	399	365	15	1
04	430	410	25	1
05	1310	379	15	1
06	1310	430	15	1
07	399	379	15	1
08	1310	430	15	1
09	399	379	15	1
10	379	95	15	1
11	399	166	15	1
12	2180	344	15	1
13	1711	399	15	1
14	2180	344	15	1
15	399	276	15	1
16	391	217	30	1
17	435	399	15	1
18	399	399	15	1
19	920	399	15	1
20	399	399	15	1
21	920	399	15	1
22	399	399	15	1
23	1210	375	15	1








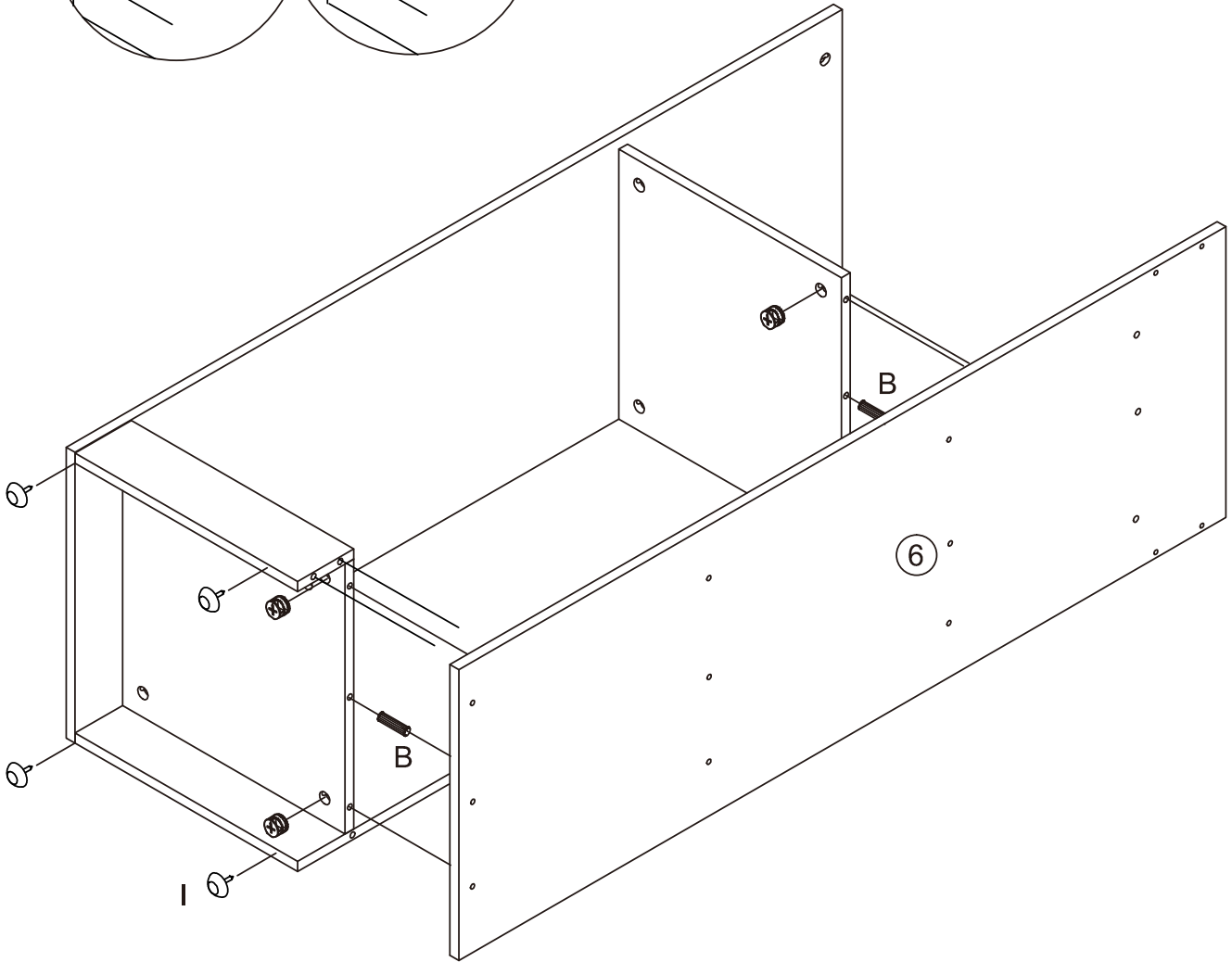
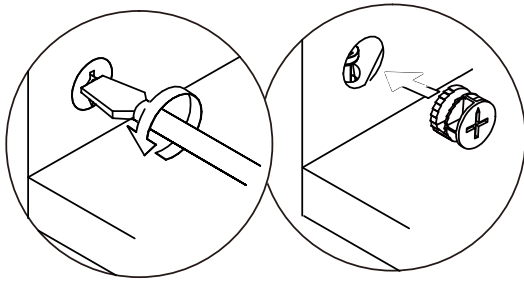
<p>Ax76</p> 	<p>Bx20</p>  <p>8X30</p>	<p>Cx1</p>  <p>8X50</p>	<p>Dx2</p>  <p>M6*50</p>
<p>Ex2</p>  <p>M6</p>	<p>Fx1</p> 	<p>Gx2</p>  <p>M4*8</p>	<p>Hx3</p> 
<p>Ix12</p> 	<p>LX18</p>  <p>M3.5*14</p>	<p>Px1</p> 	

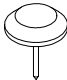



1.



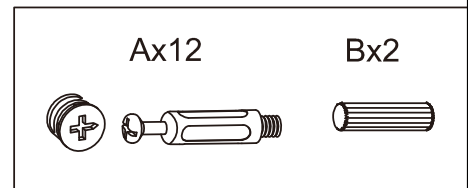
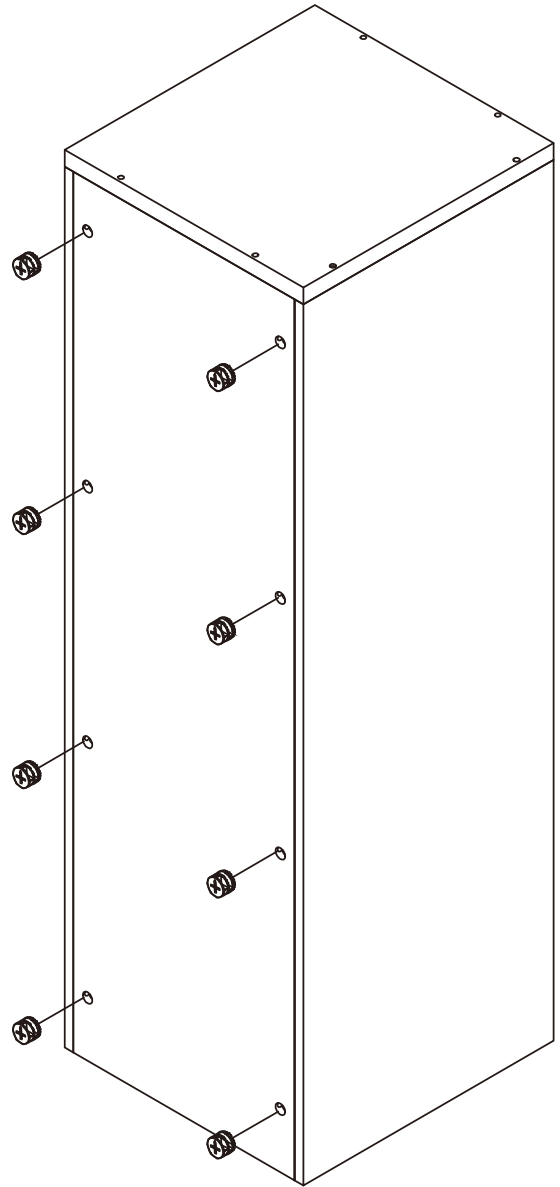
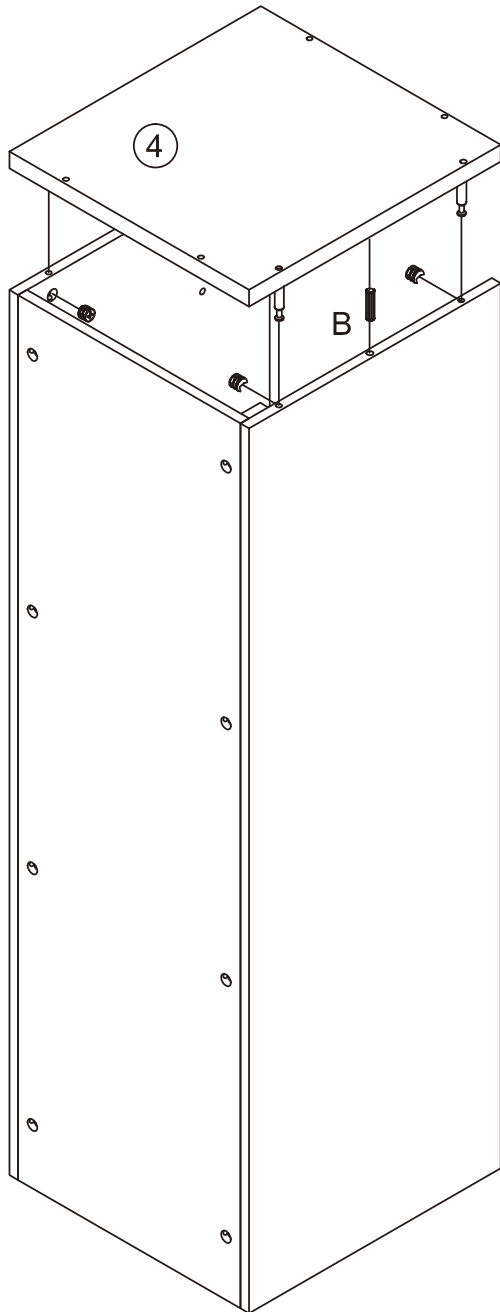
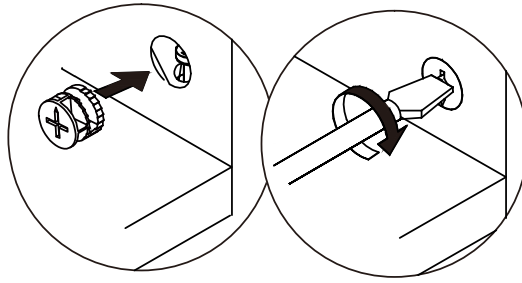
Ax6	Bx2	
		

2.

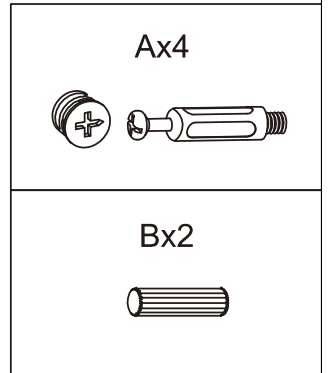
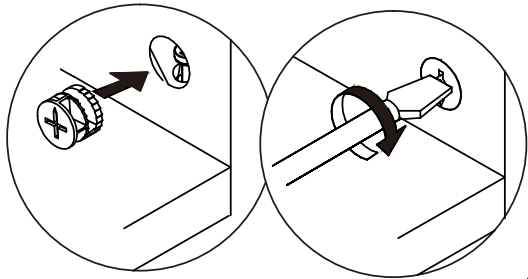
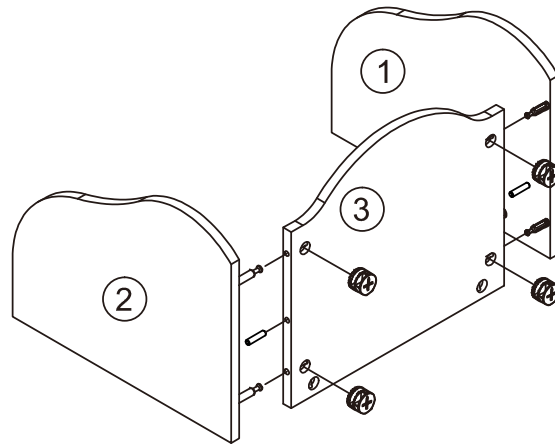


Ix4	Ax6	Bx2
	 	

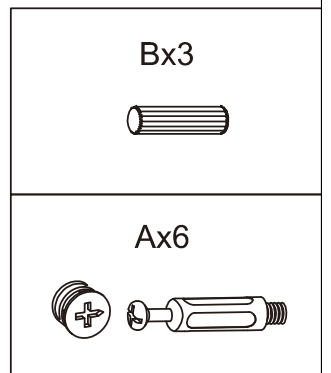
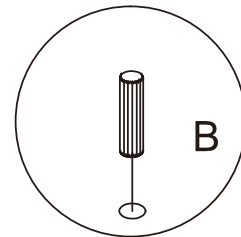
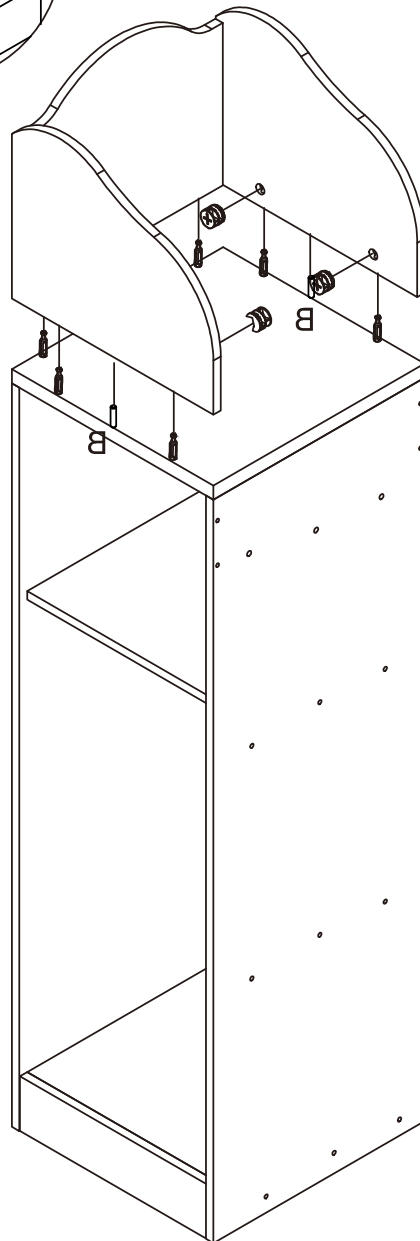
3.



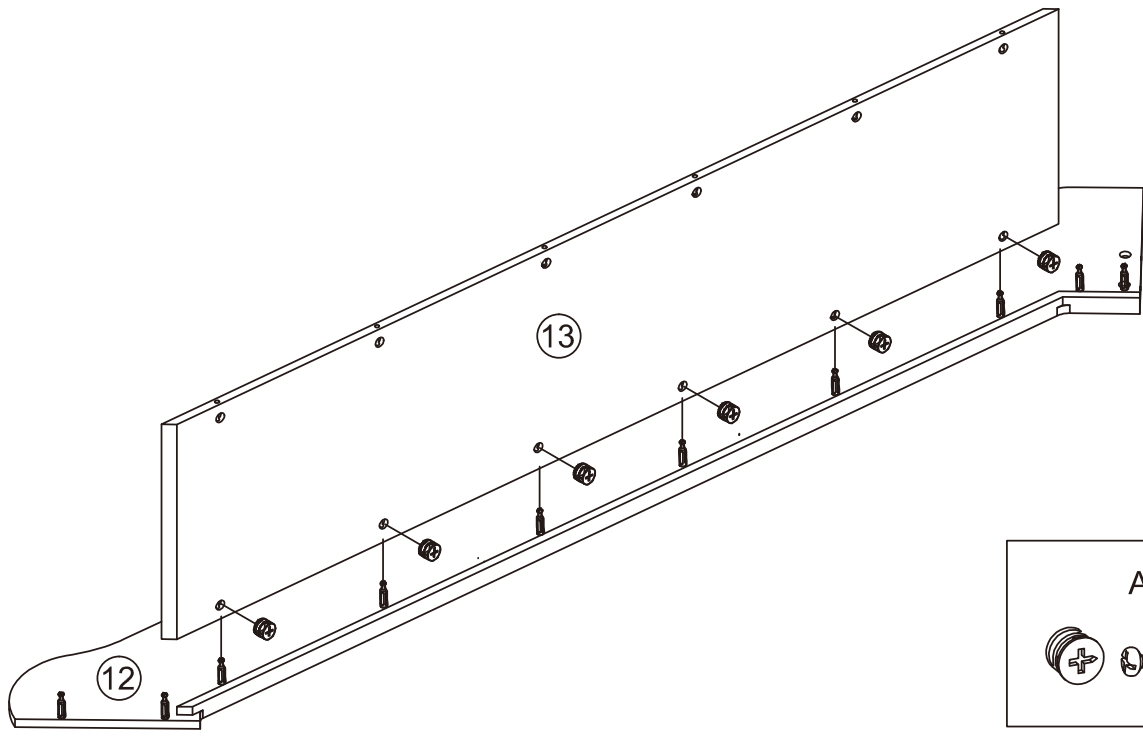
4.



5.

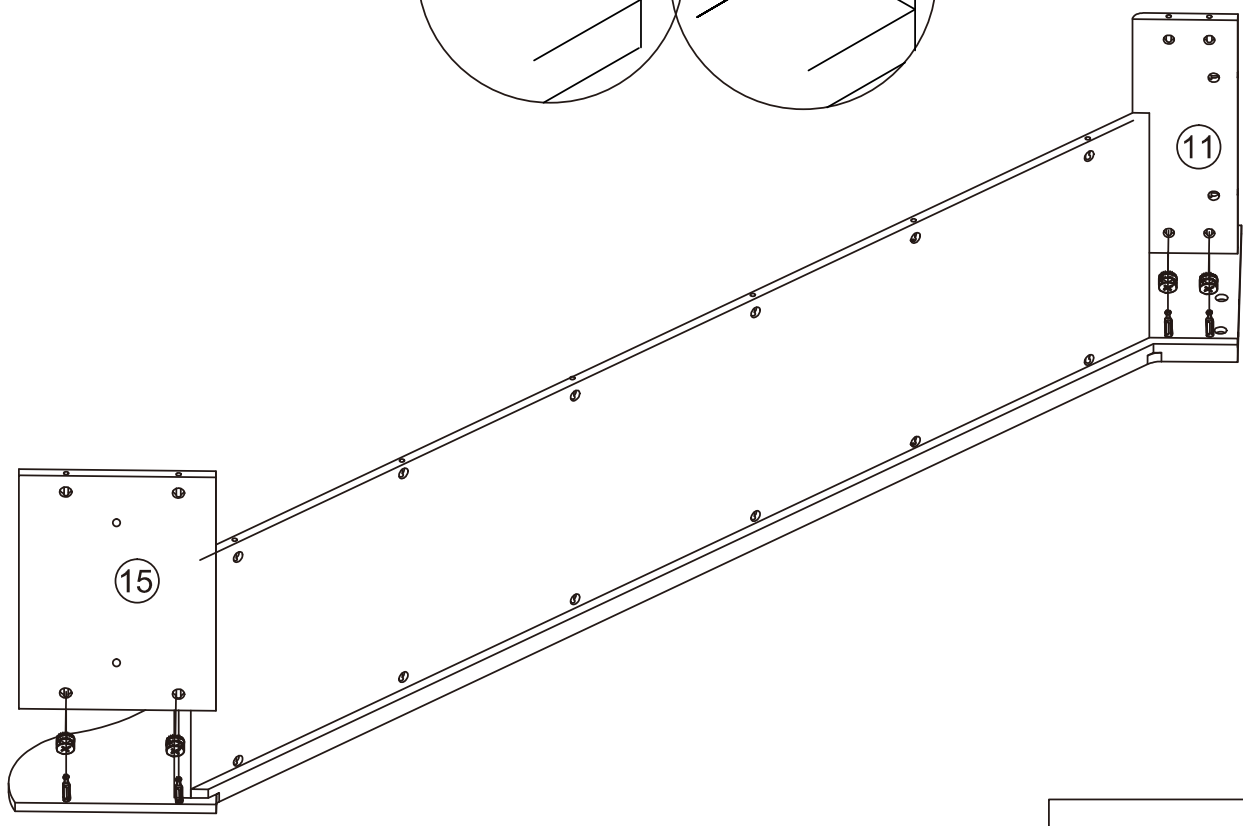
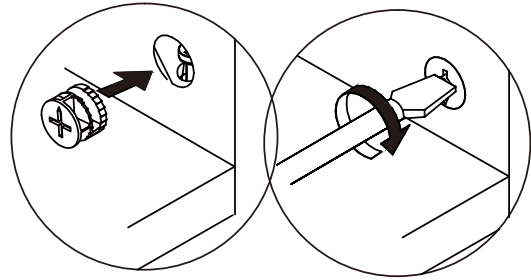


6.



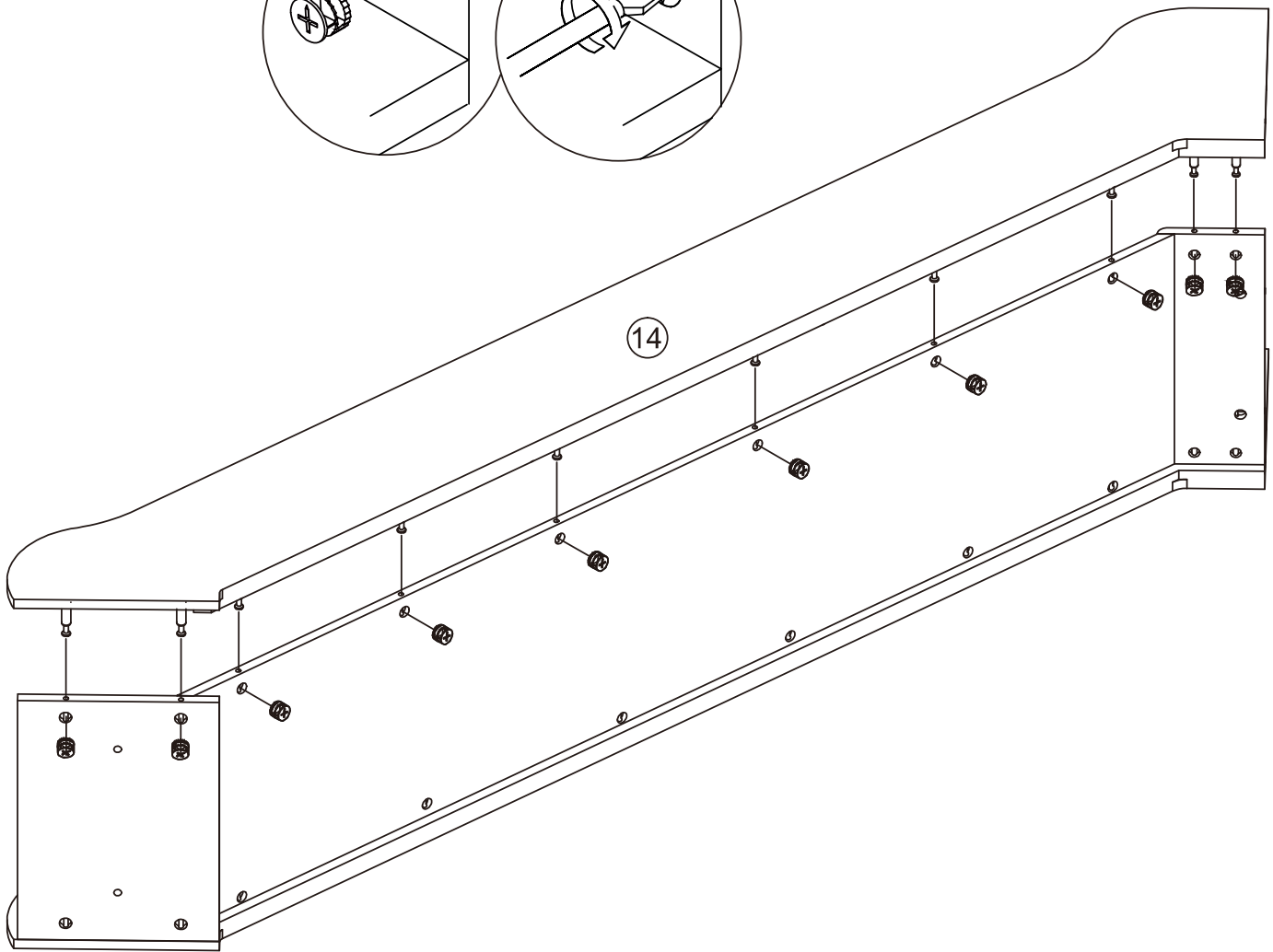
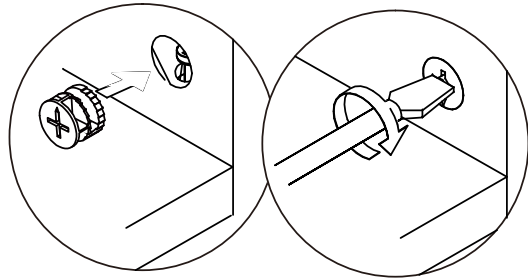
Ax6

7.

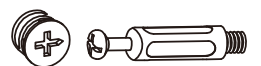


Ax4

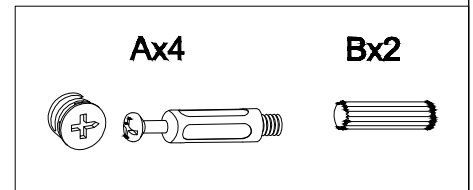
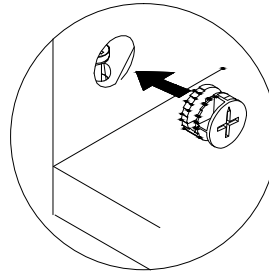
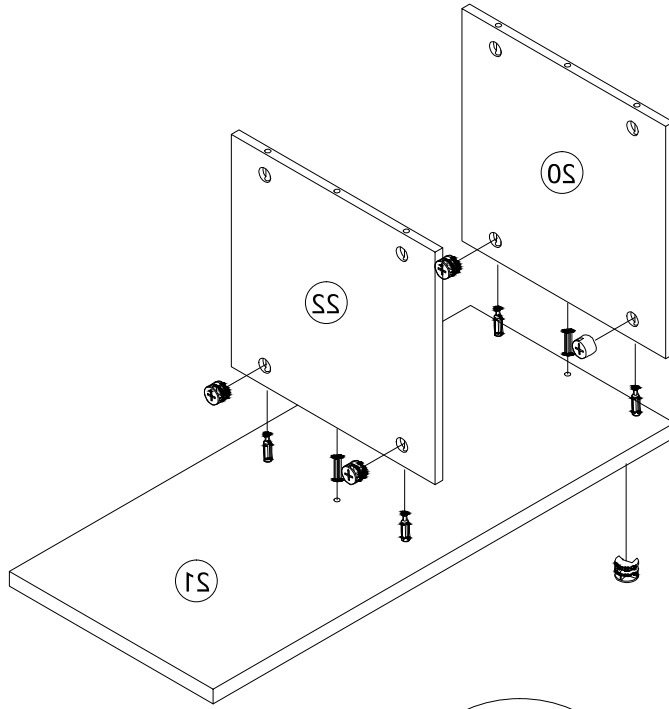
8.



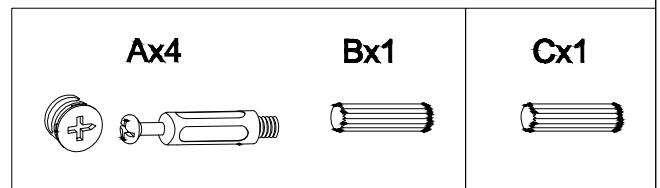
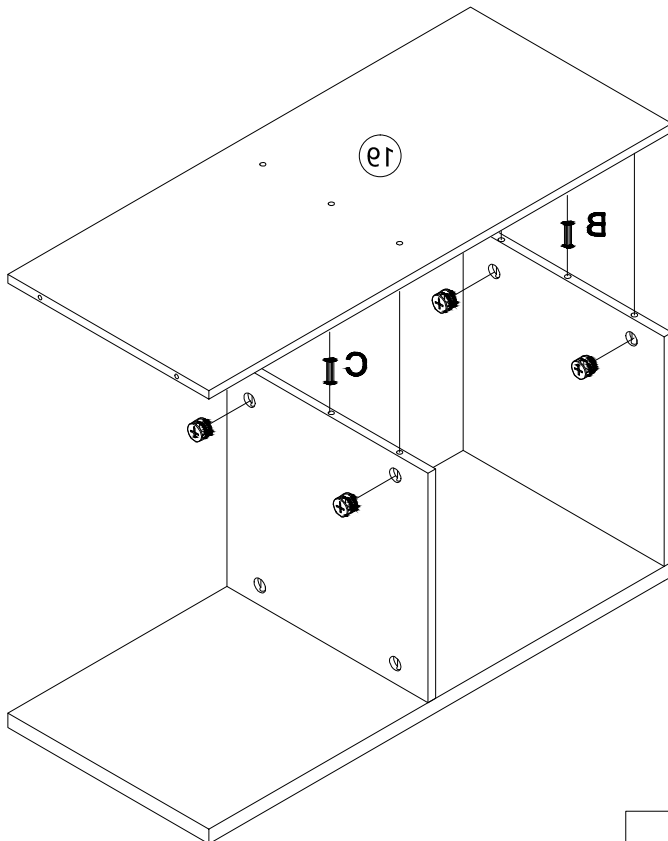
Ax10



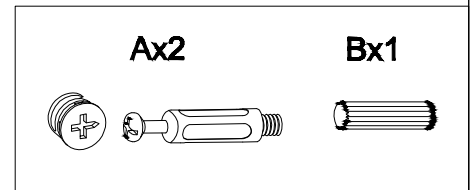
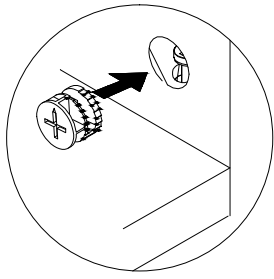
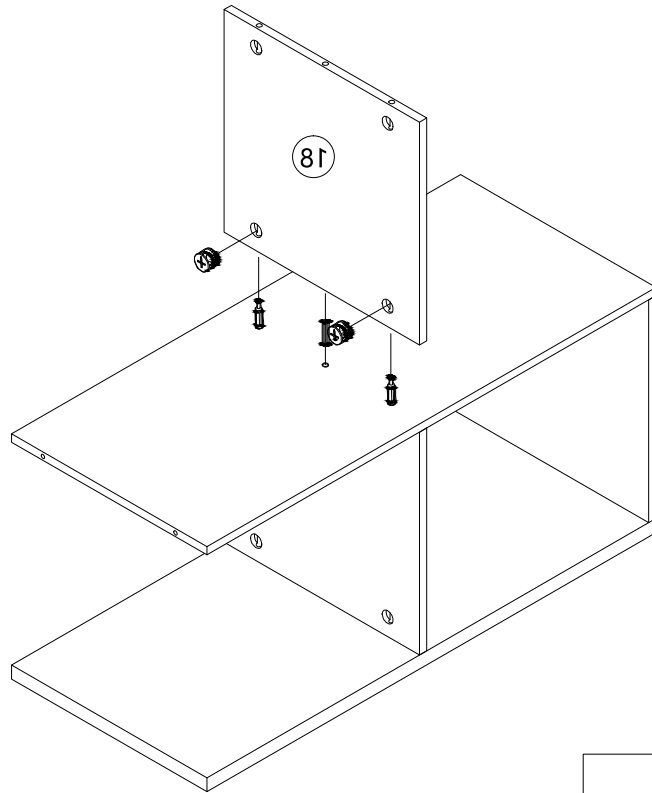
9.



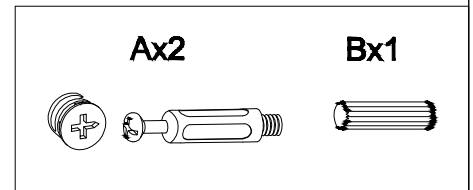
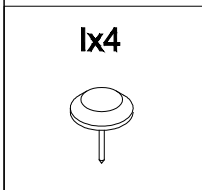
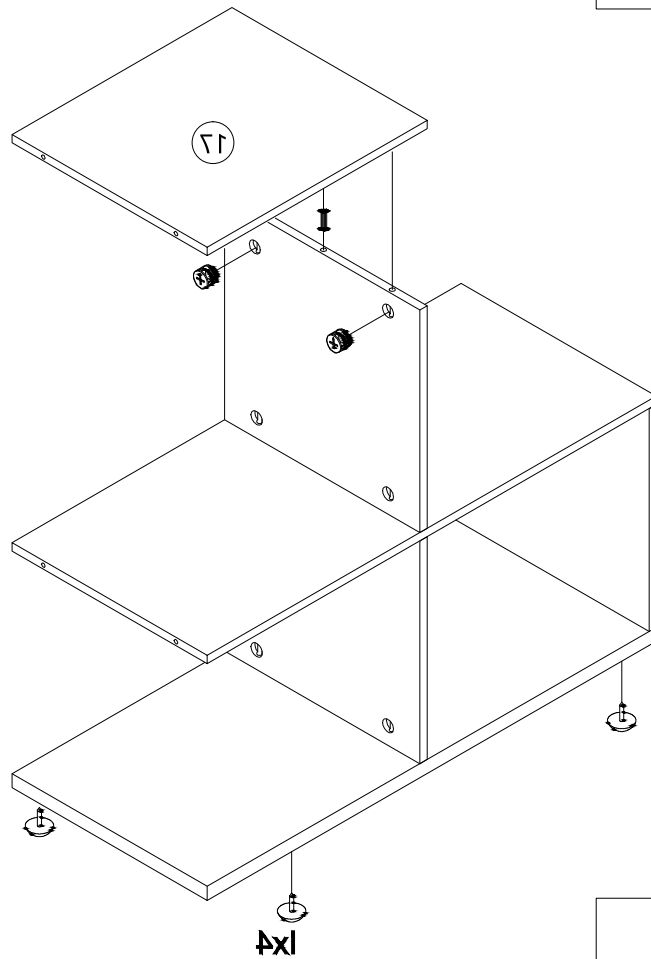
10.



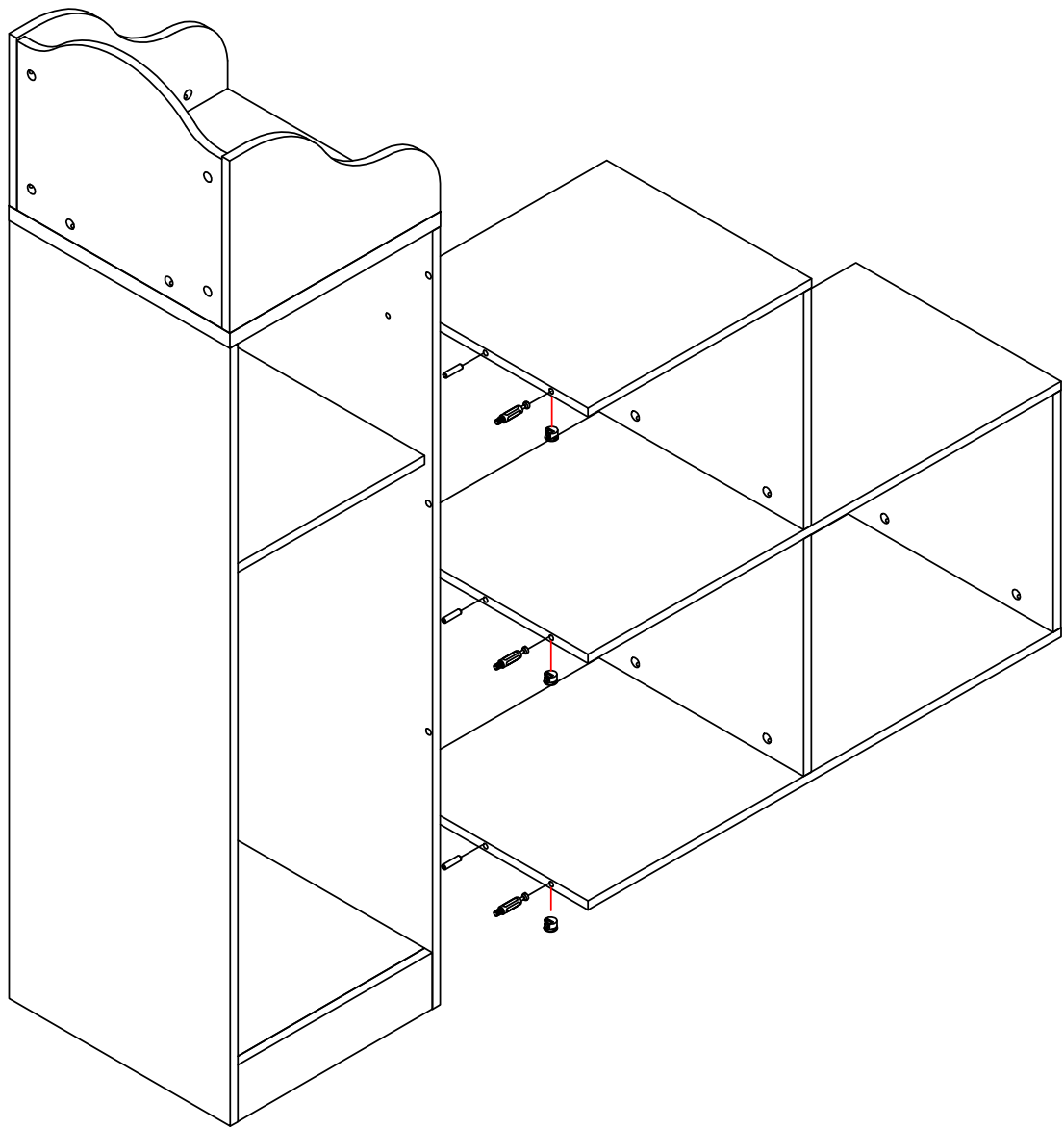
11.



12.



13.

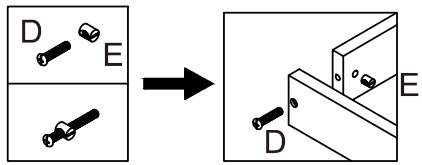
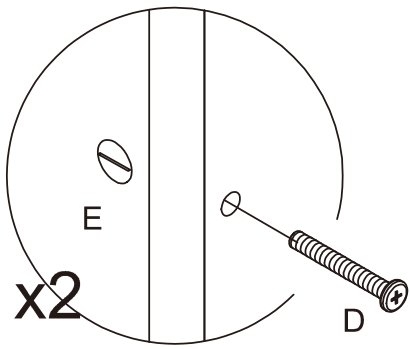
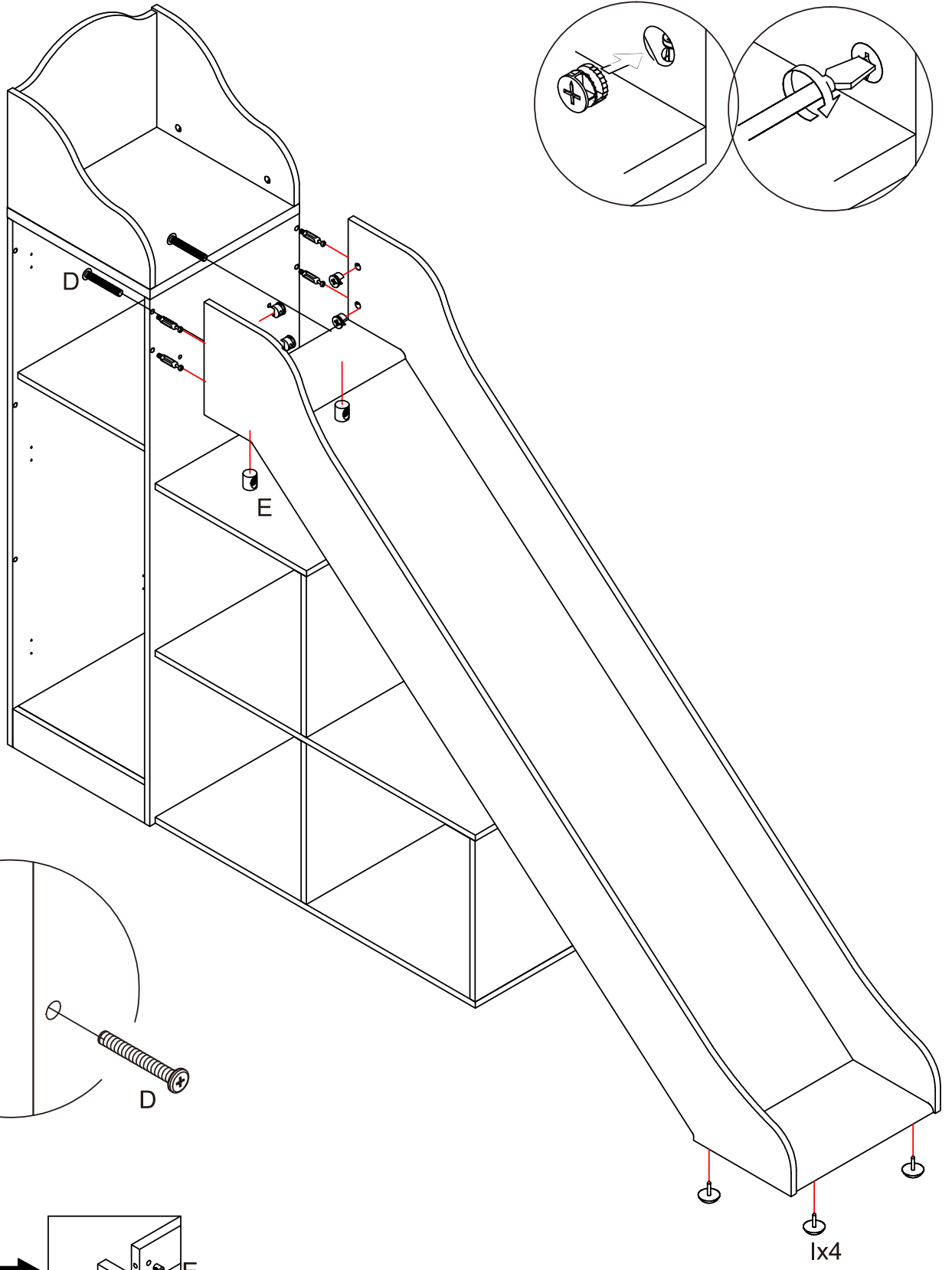


Ax6

Bx3



14.



1x4

Ax4

Dx2

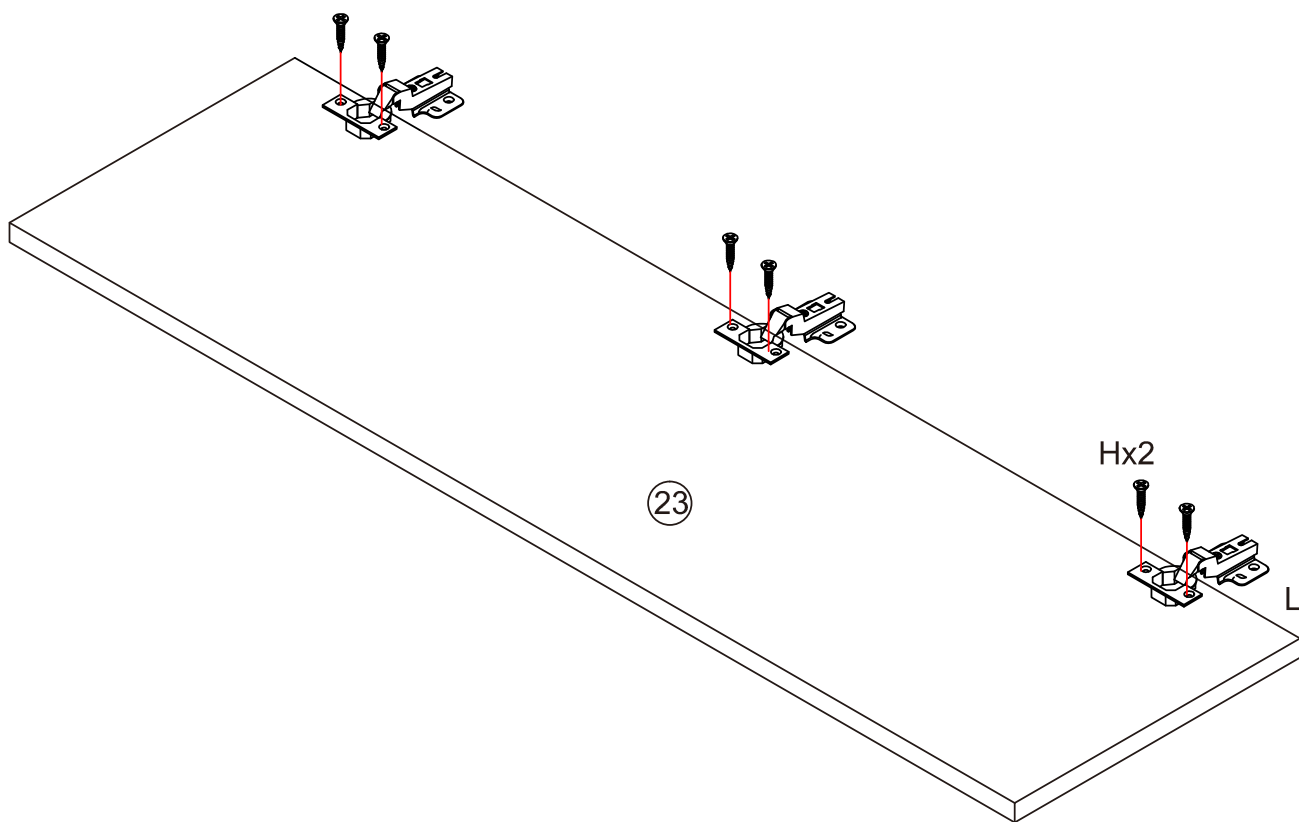
M6*50

Ex2

M6

Bx1

15.

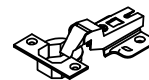


Lx6

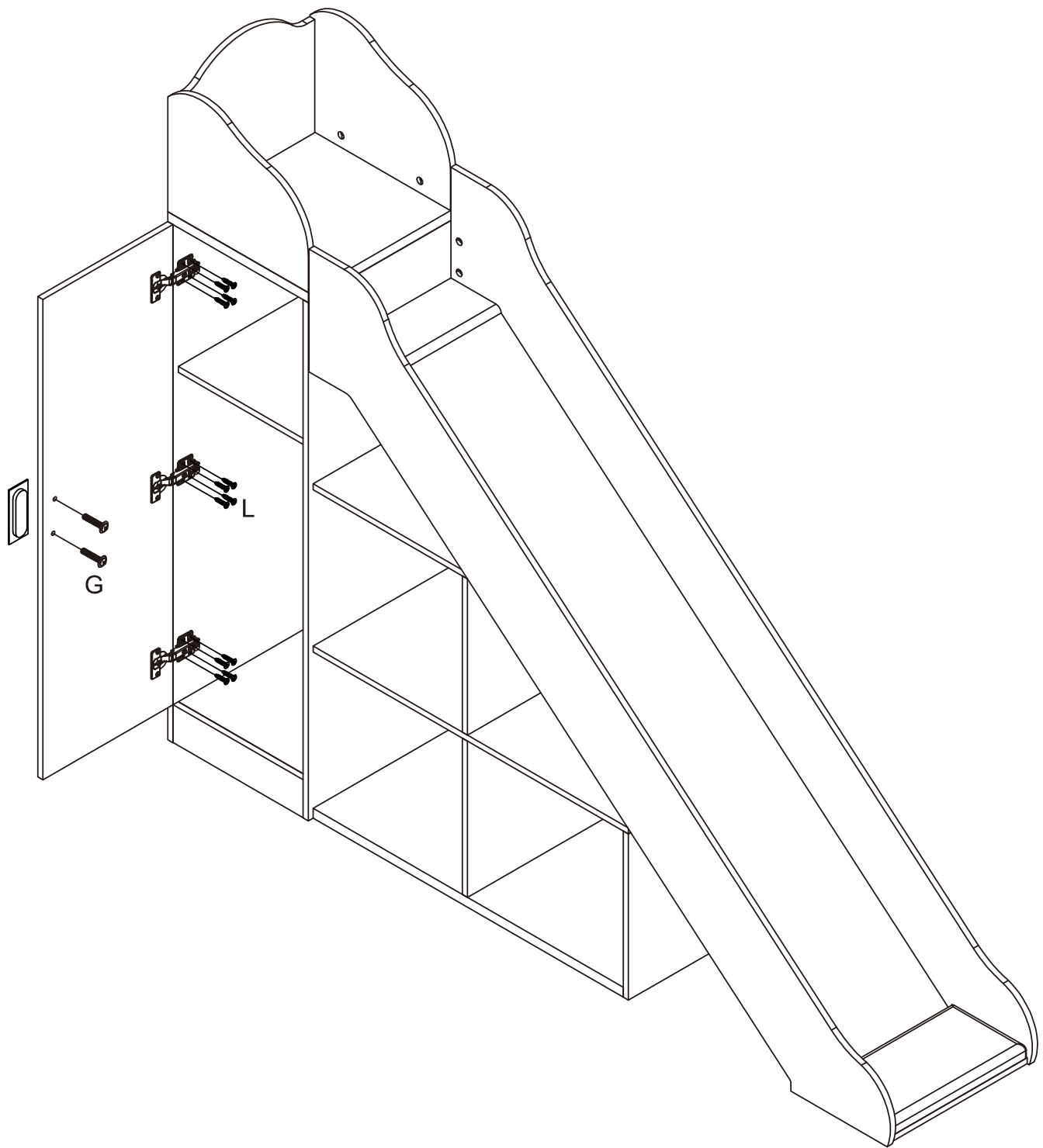


3.5*14

Hx3



16.

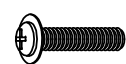


Lx12



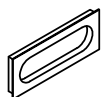
3.5*14

GX2

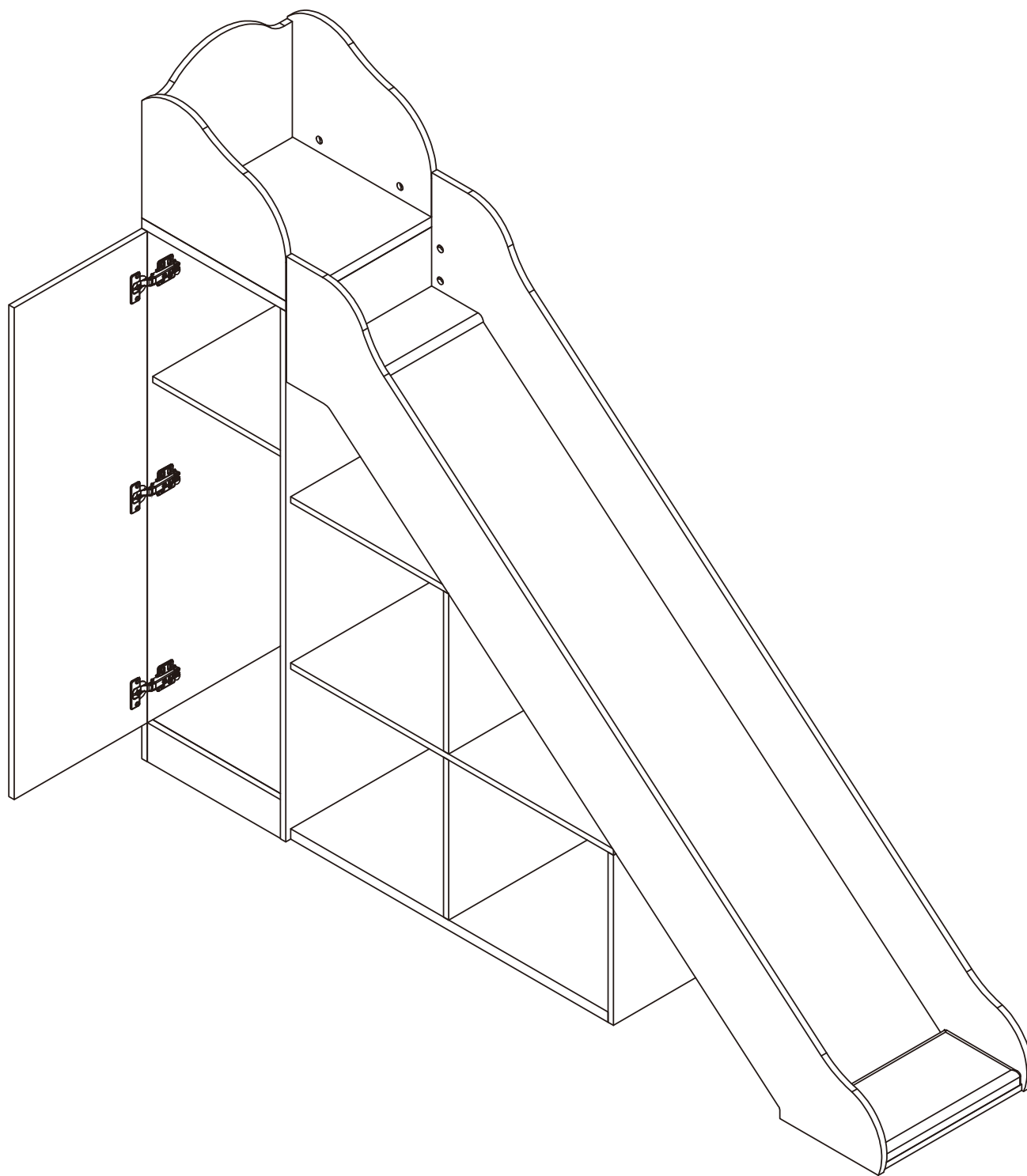


M4*8

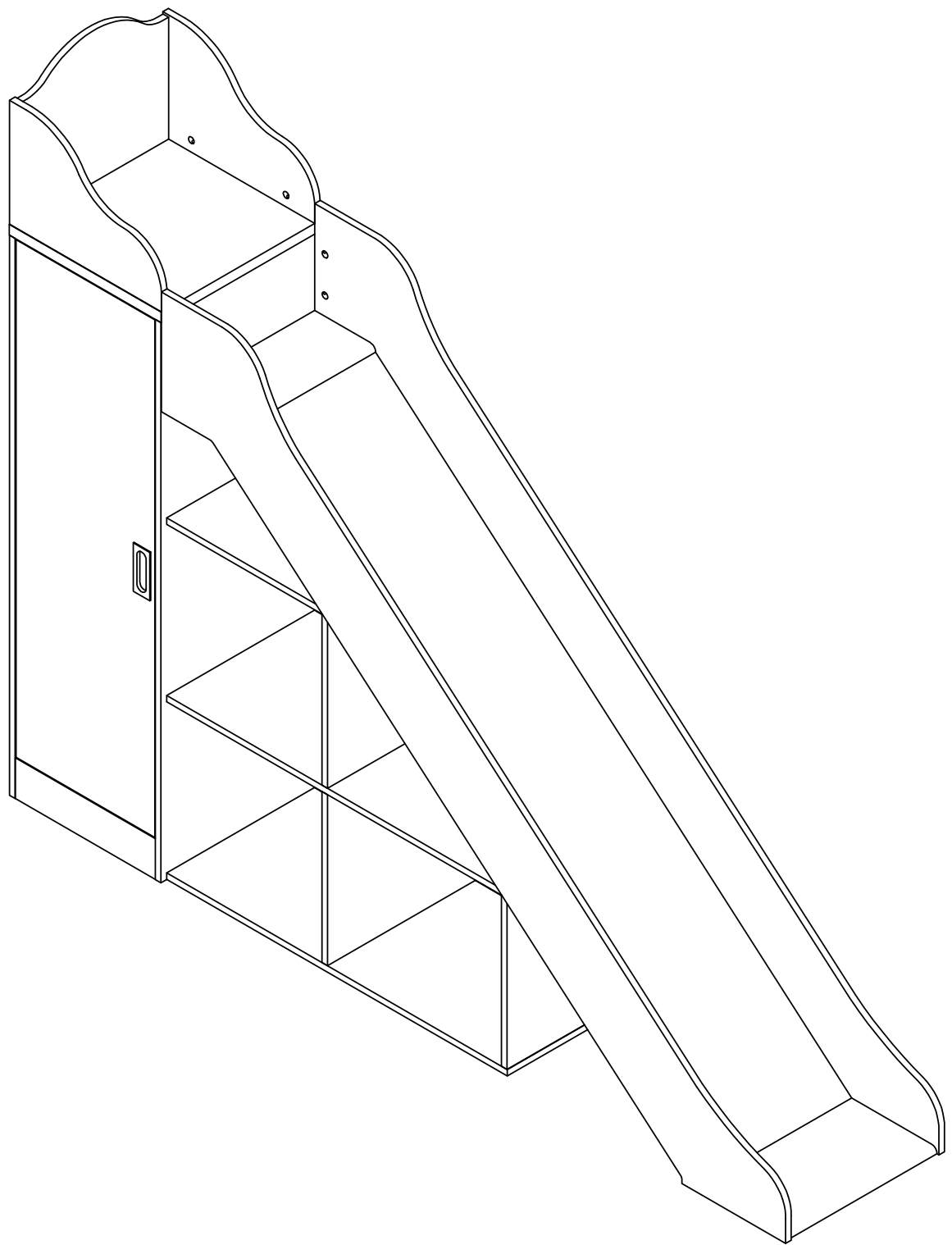
Fx1



17.



18.



19.

Warranty and Guarantee

Faults and Warranty Claims

EzSpace warrants all goods to be free from defects in materials and workmanship, and of acceptable quality and durability for the purpose for which they are designed.

All goods come with guarantees that cannot be excluded under the Australian Consumer Law. You are entitled to a replacement or refund for a major failure and compensation for any other reasonably foreseeable loss or damage. You are also entitled to have the goods repaired or replaced if the goods fail to be of acceptable quality and the failure does not amount to a major failure.

Guarantee

EzSpace is guaranteed against faults in construction and material for a period of three years from the date of purchase for furnitures, such as bunk bed, loft bed and wallbed.

EzSpace is guaranteed against faults in construction and material for a period of five years from the date of purchase for mattresses.

EzSpace is guaranteed against faults in construction and material for a period of one year from the date of purchase for small items, such as bins or the “Paper” collection on our website.

We do not accept responsibility for any natural characteristics of materials used or any slight dents or marks occurring during transportation.

Please contact Our Customer Service Team with proof of purchase and all details of the fault.

This guarantee does not exclude any conditions or warranties implied by the Commonwealth Trade Practices Act, or by state legislation.

This guarantee is not transferable.



EzSpace Pty Ltd
ABN 51636115243
Phone: 1300219730
Email: admin@ezspace.com.au
Website: ezspace.com.au