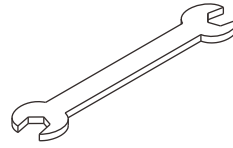
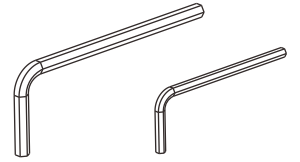
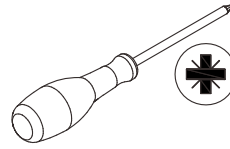
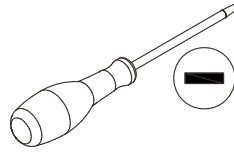
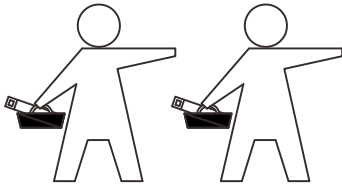
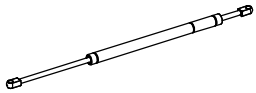


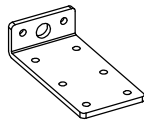
L=0.9m	⑮ x1
L>0.9m	⑮ x2



Ax2



Bx2



100*50*25mm

Cx2



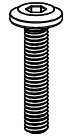
M8*80

Dx36



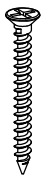
M5*20

Ex8



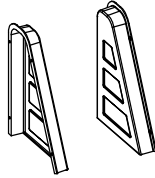
M6*35

G



M4*45

Hx2



300*210*35mm

Kx12

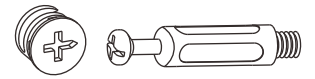


M4*16

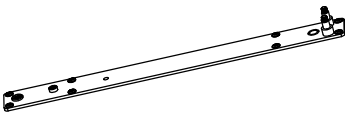
Lx2



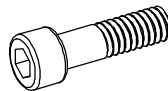
Ux28



Mx2



Nx2

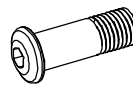


M12*35

Ox2

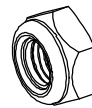


Px2



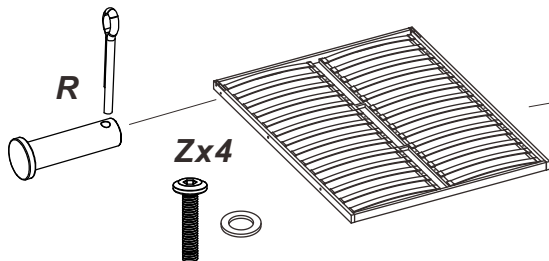
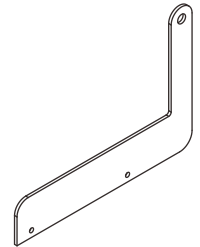
M8*25

Qx2

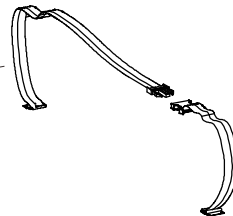


M8

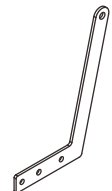
Tx2



Sx1



Yx2



Vx4



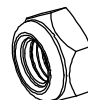
Wx8



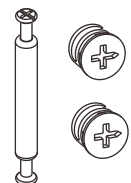
Yx8



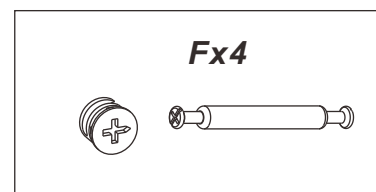
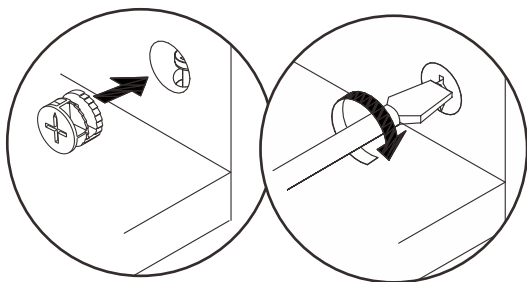
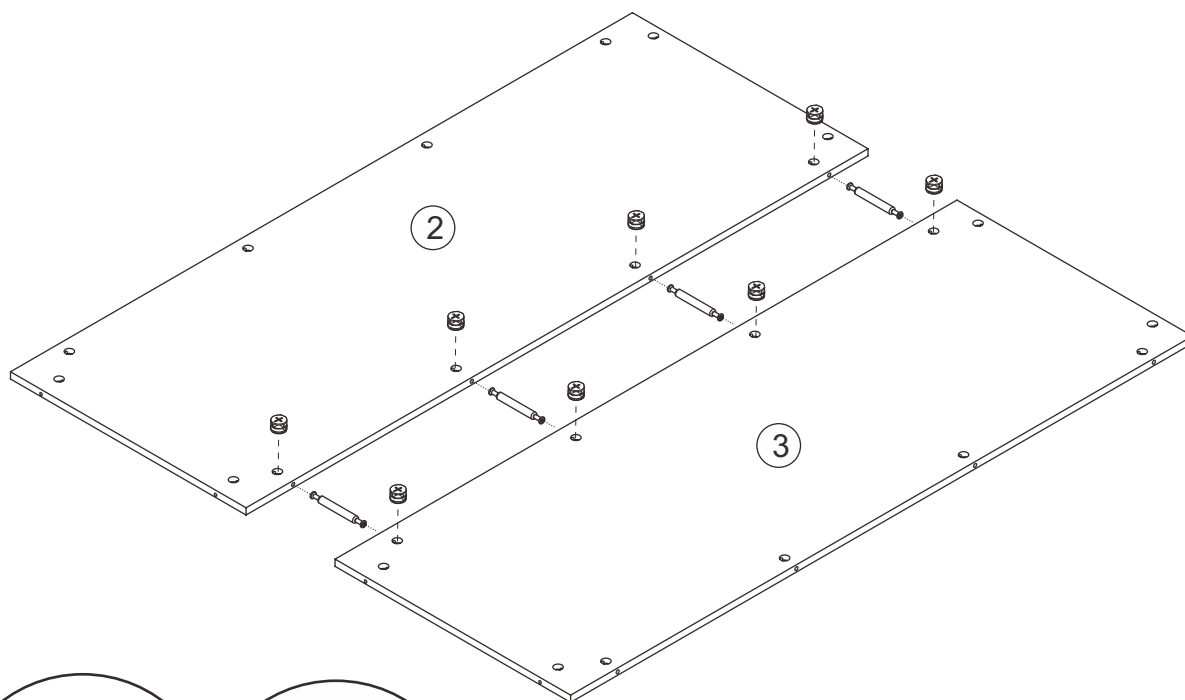
Xx6



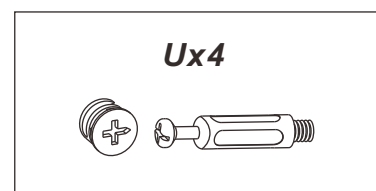
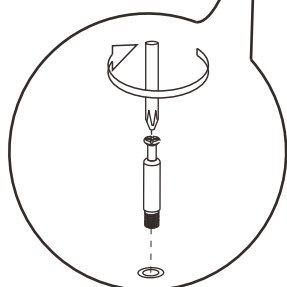
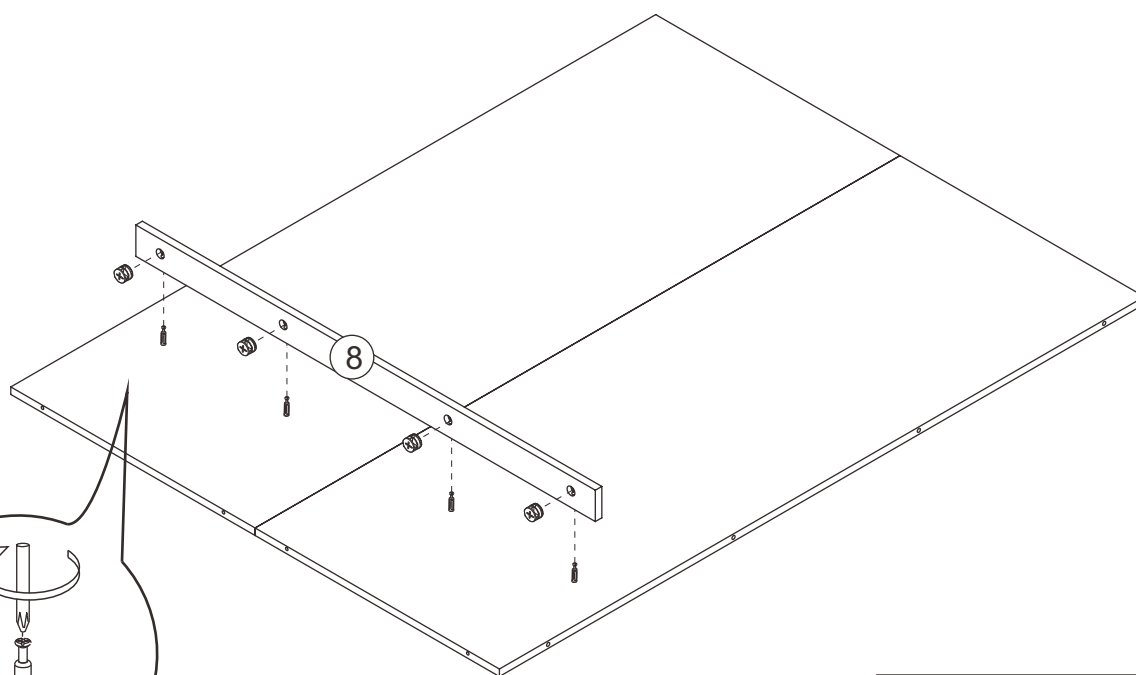
Fx4



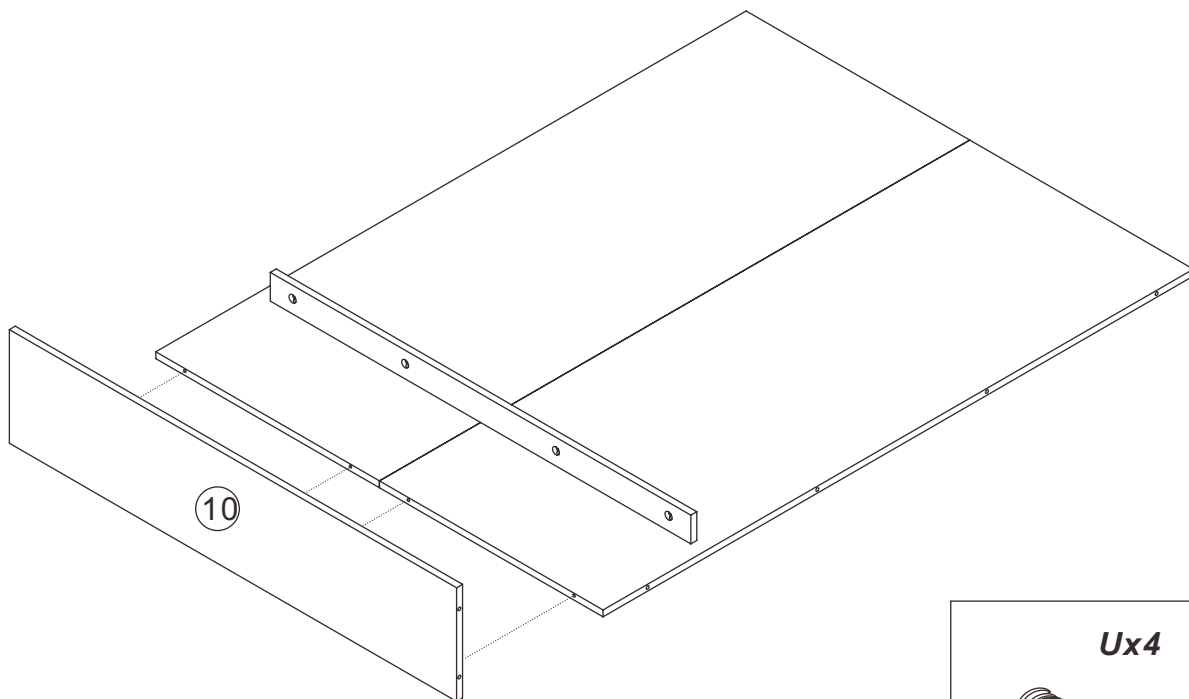
1.



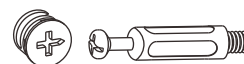
2.



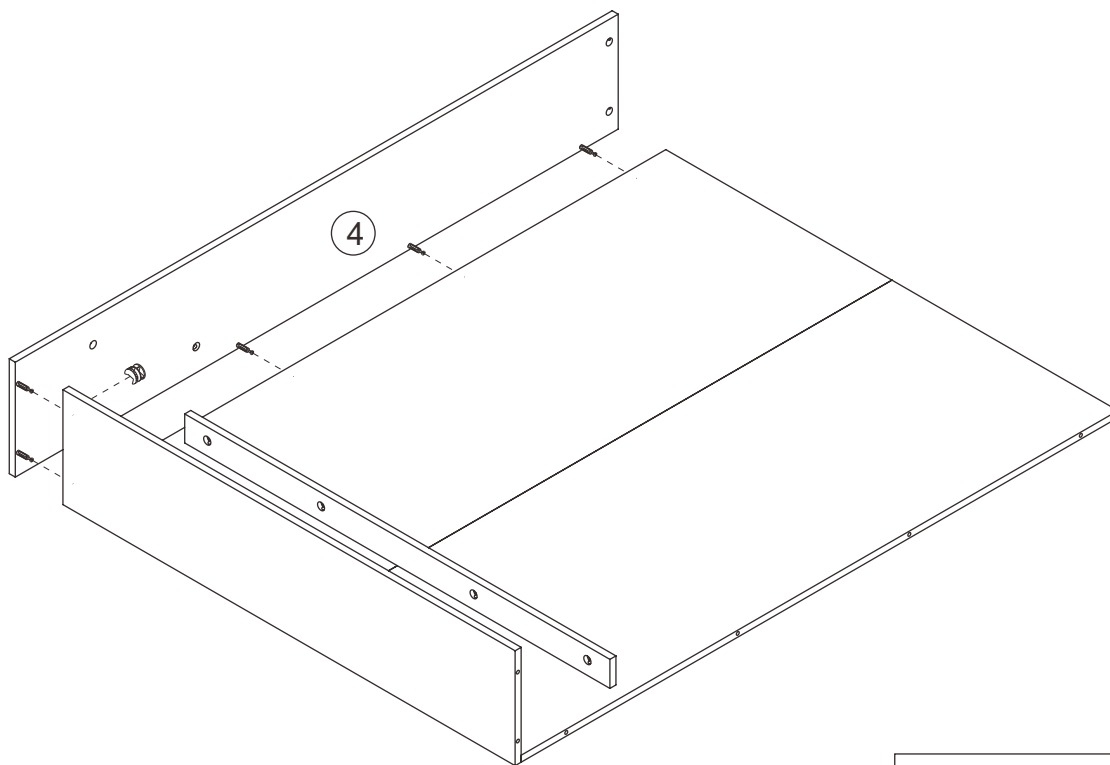
3.



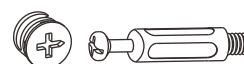
Ux4



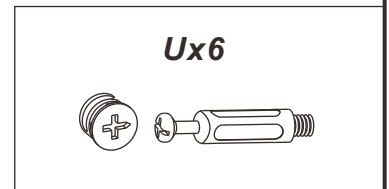
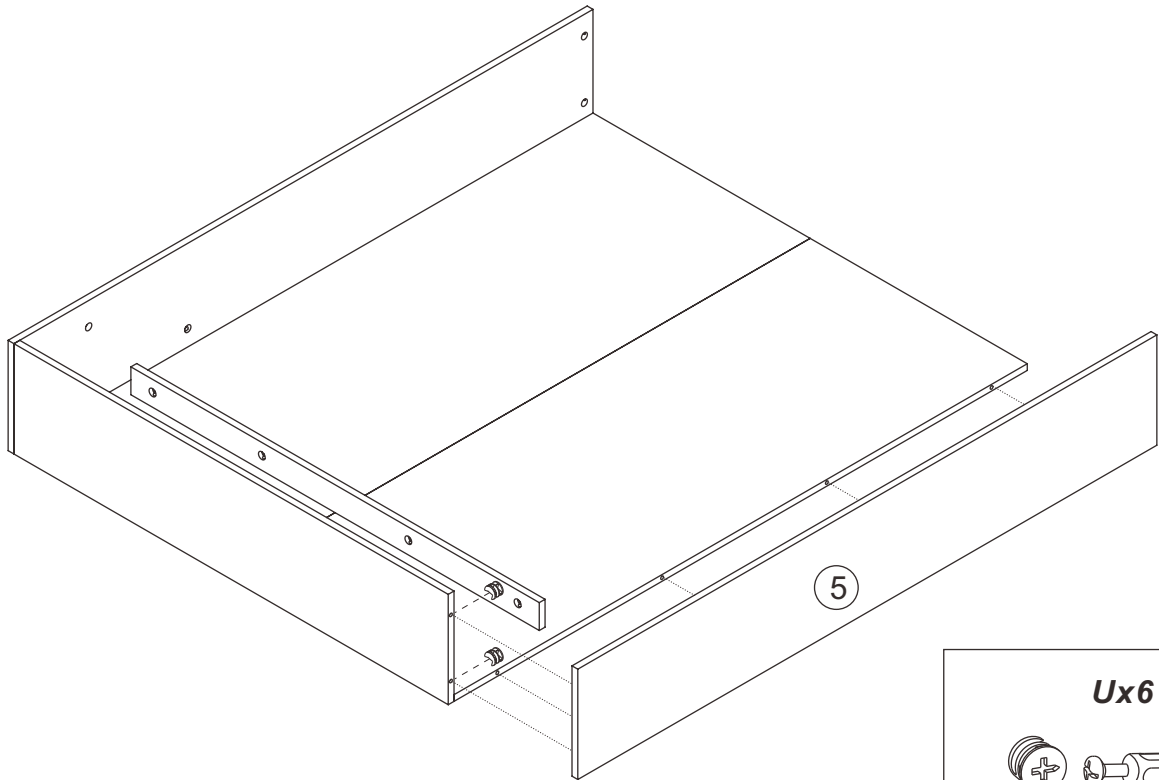
4.



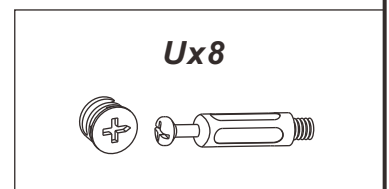
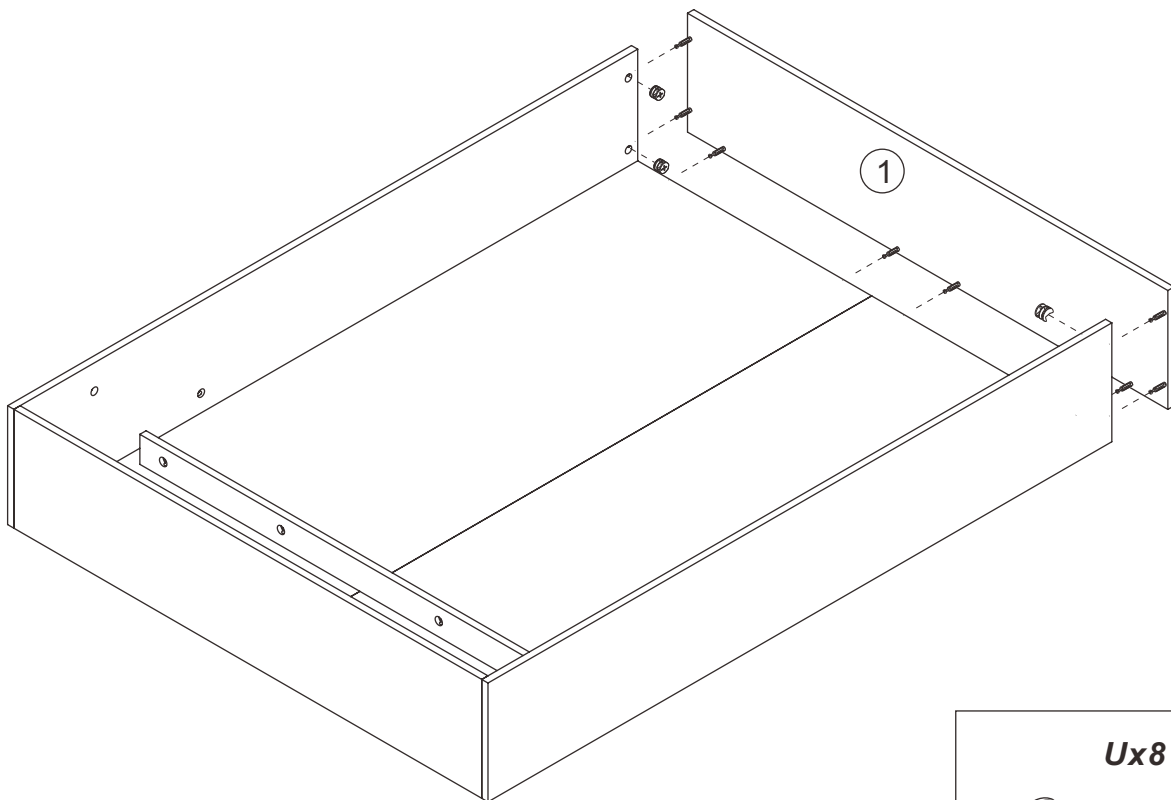
Ux6



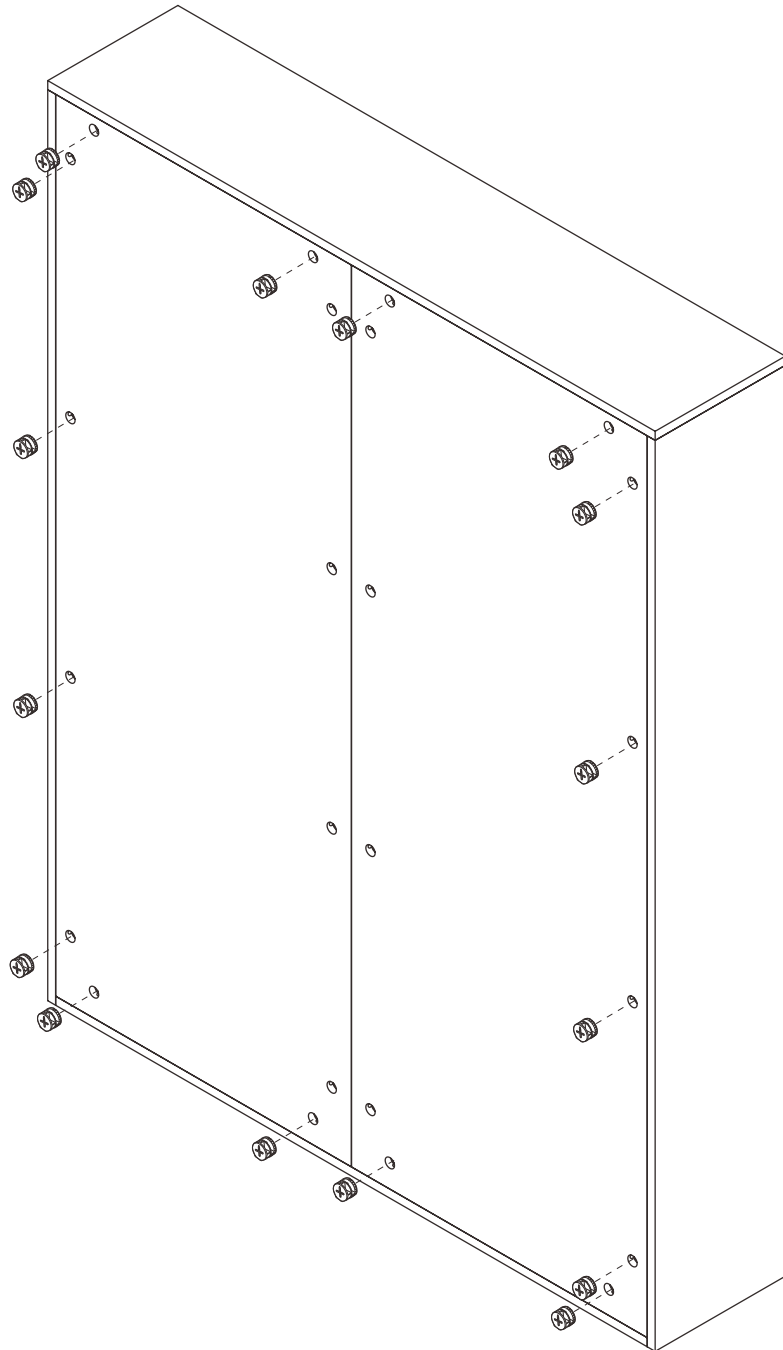
5.



6.



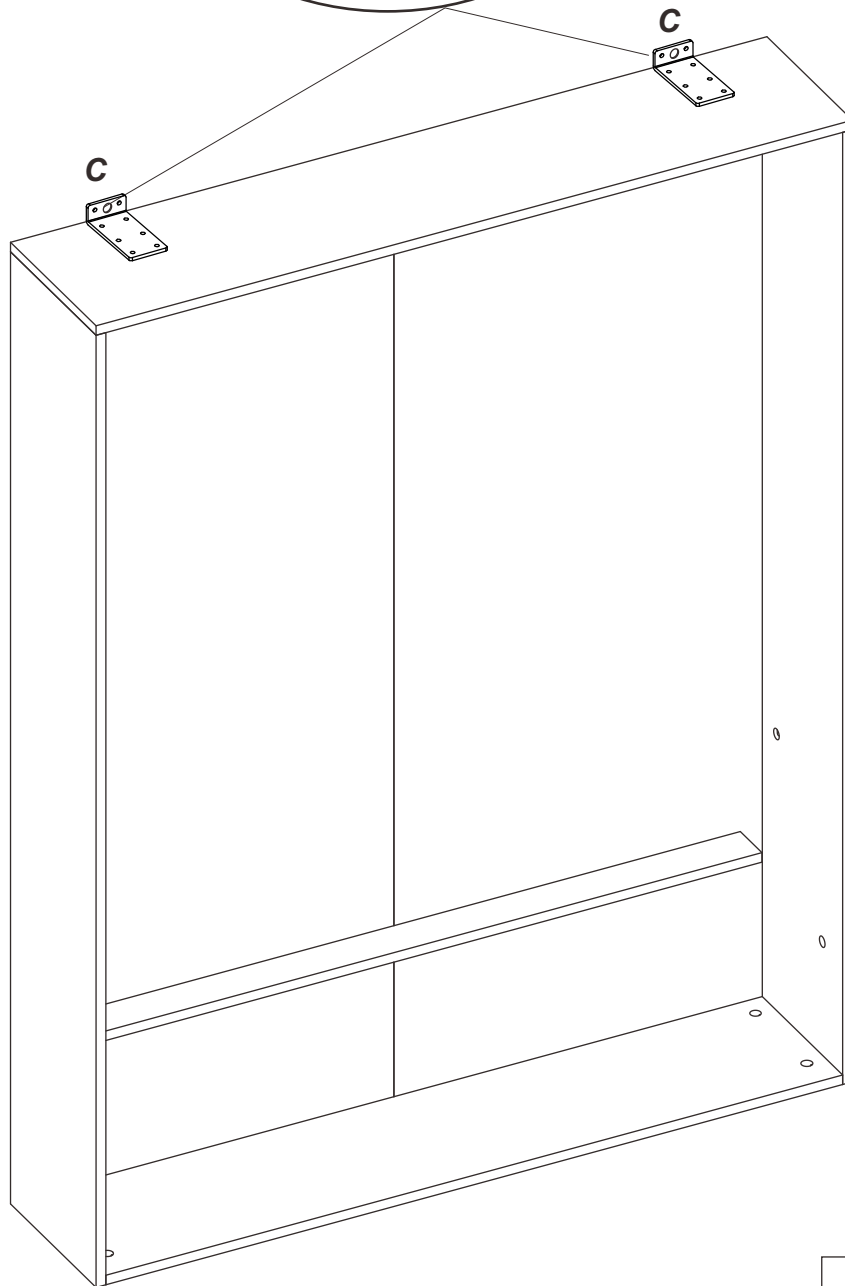
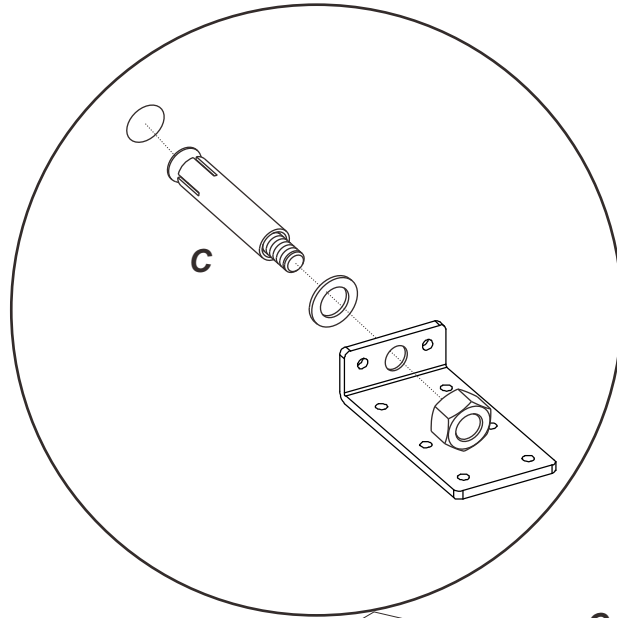
7.



Ux16



10.

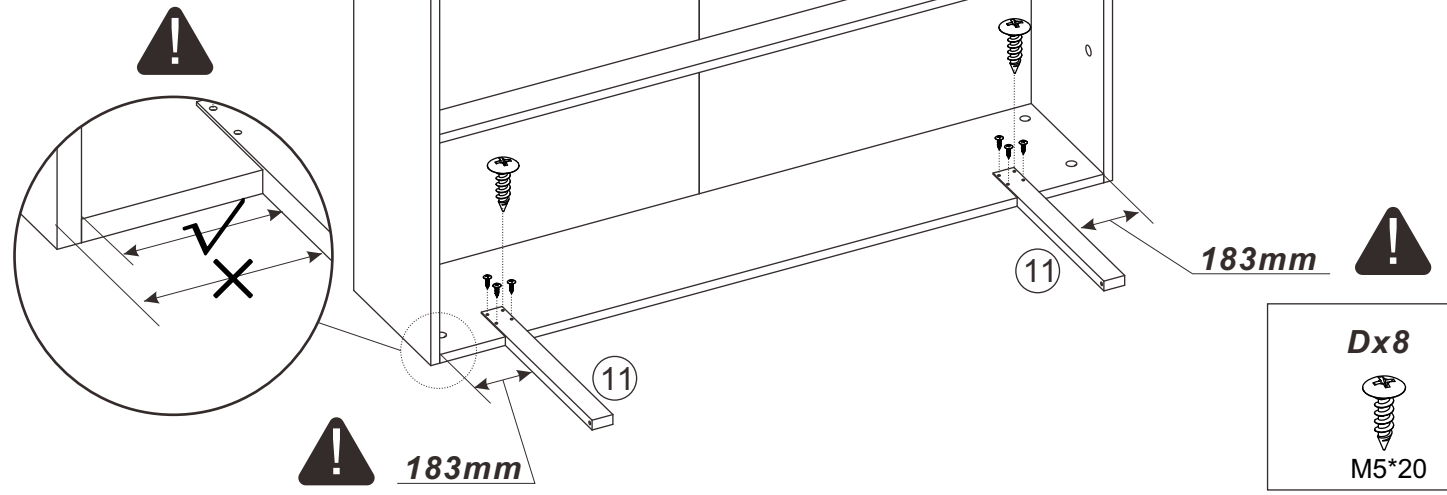


Cx2

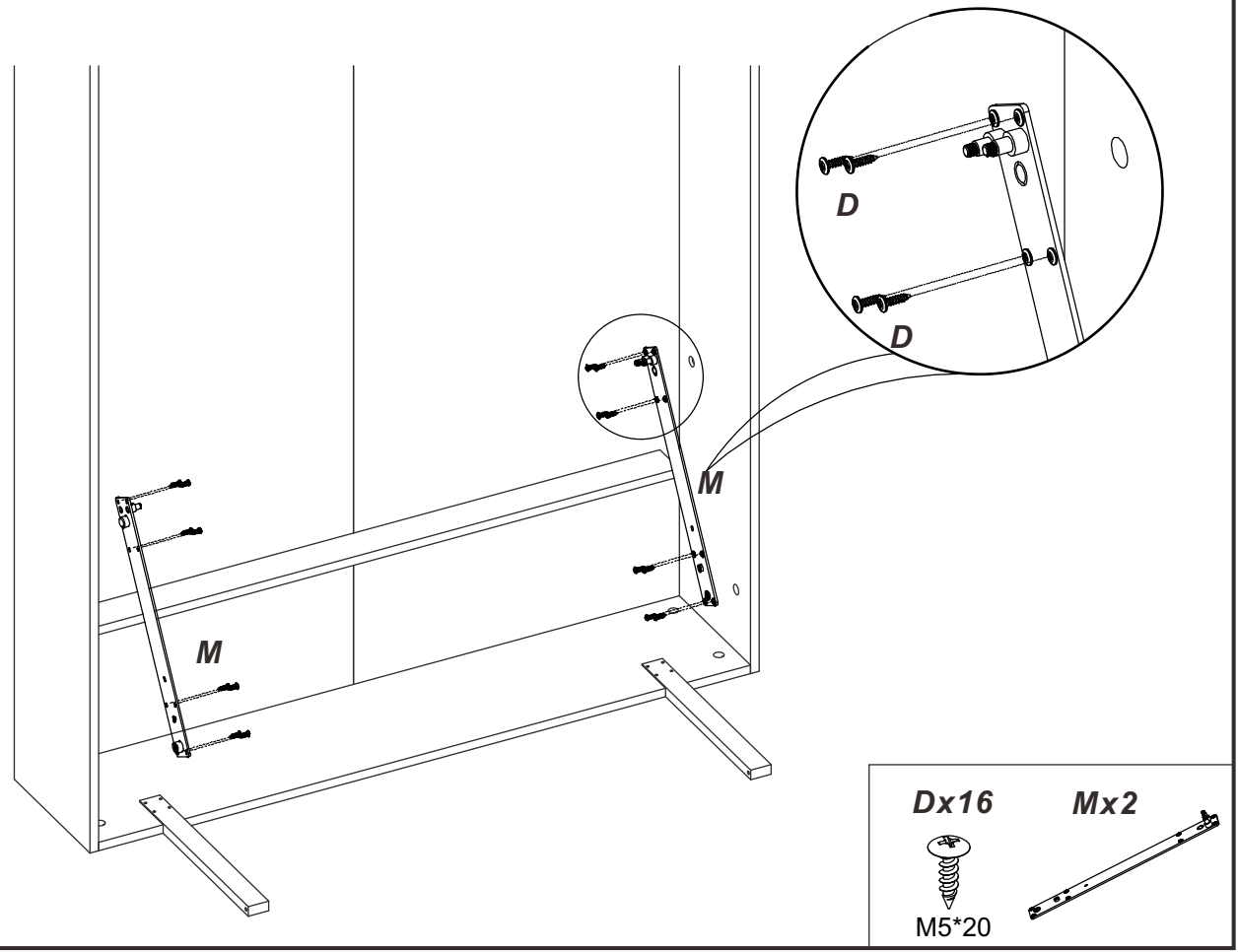


M8*80

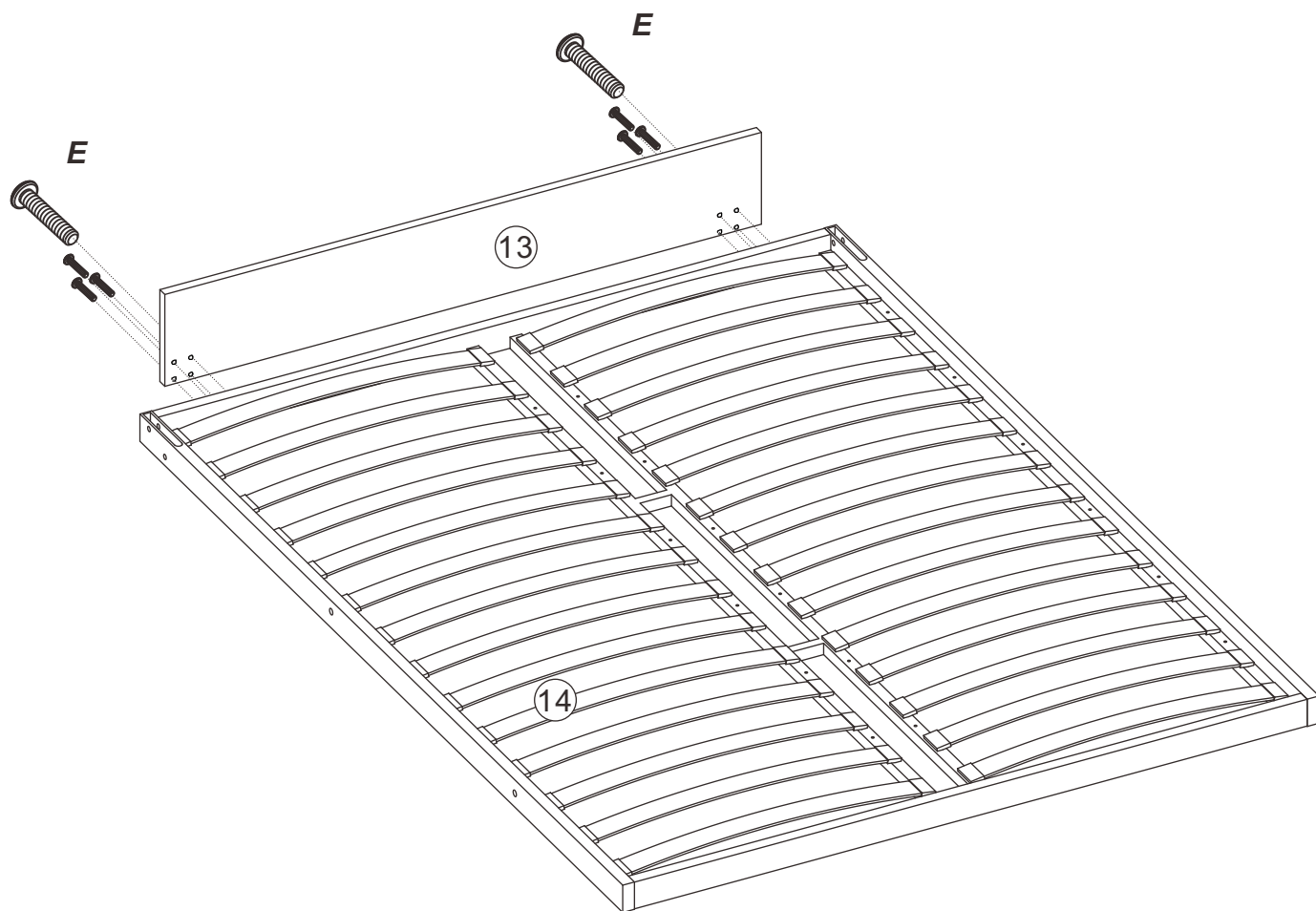
11.



12.



13.

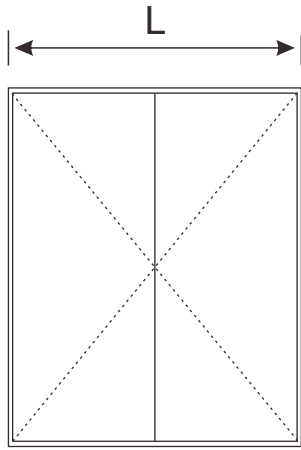


Ex8

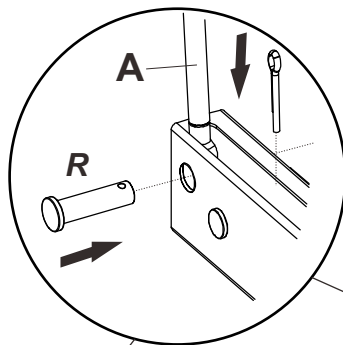


M6*35

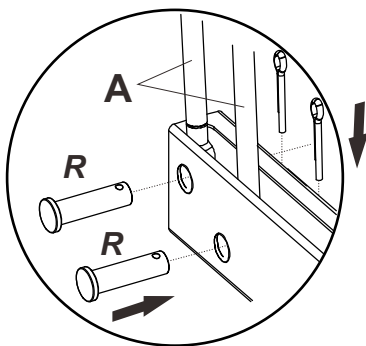
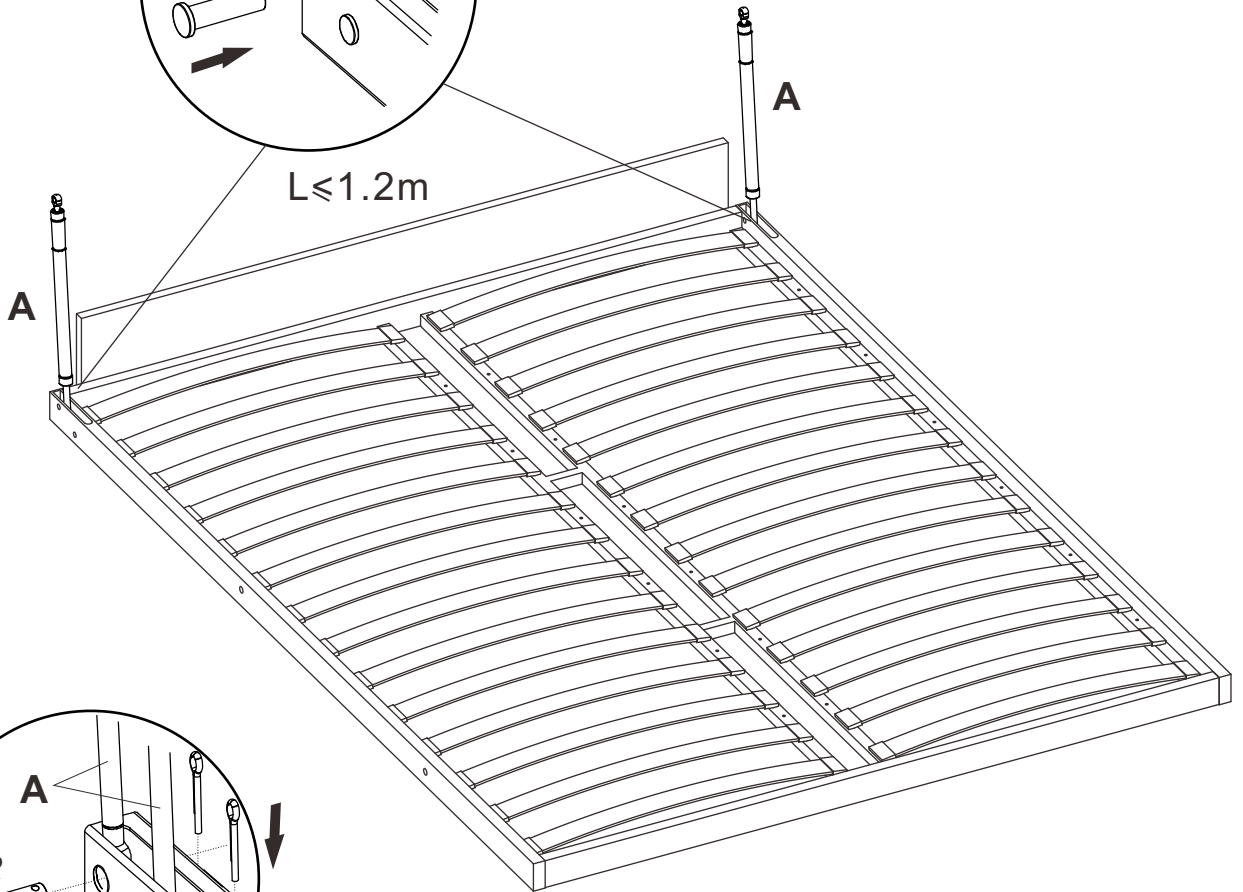
14.



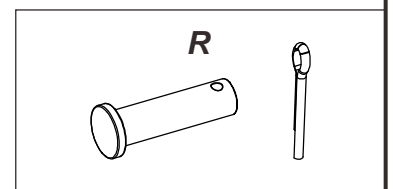
$L \leq 1.2\text{m}$	 A
$L > 1.2\text{m}$	 A



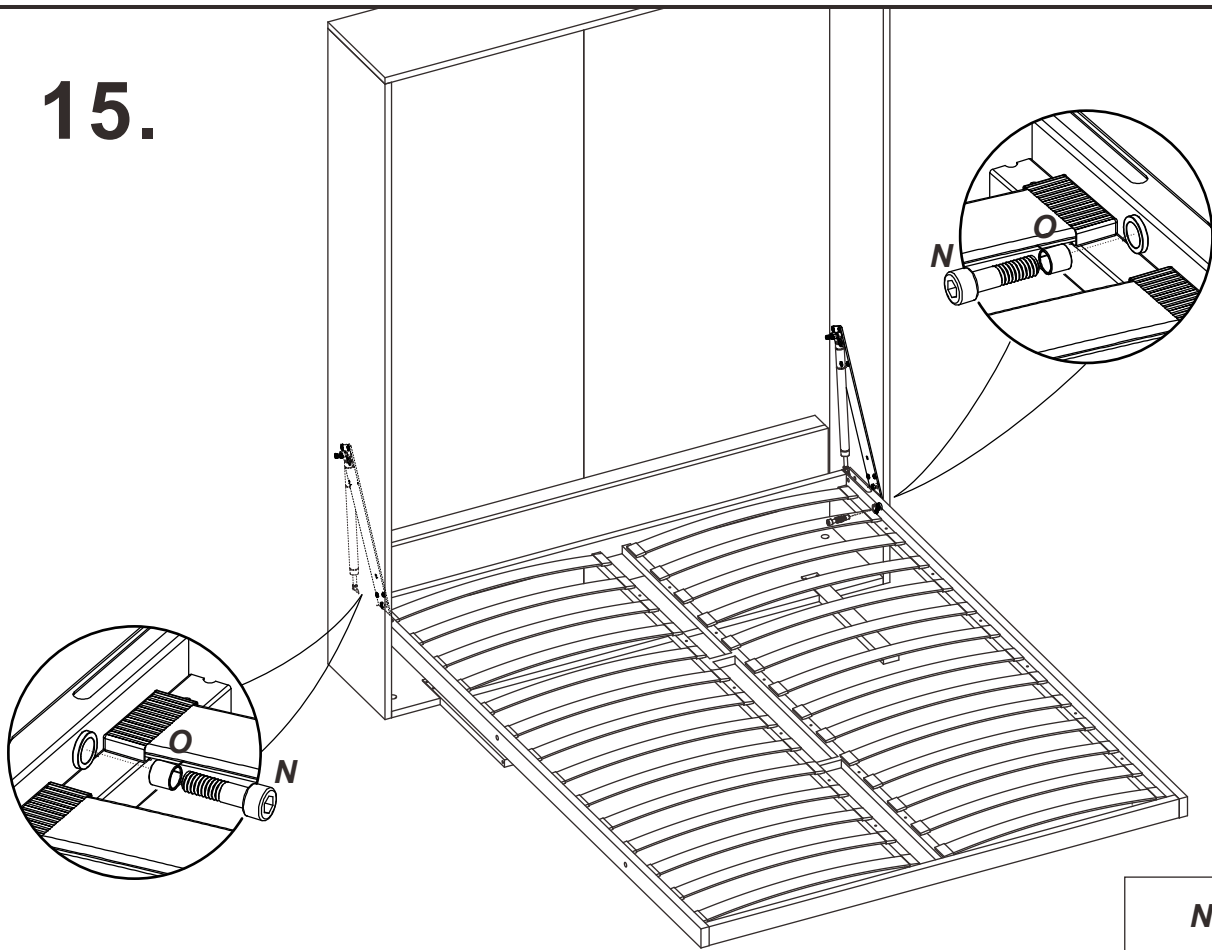
$L \leq 1.2\text{m}$



$L > 1.2\text{m}$

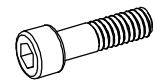


15.



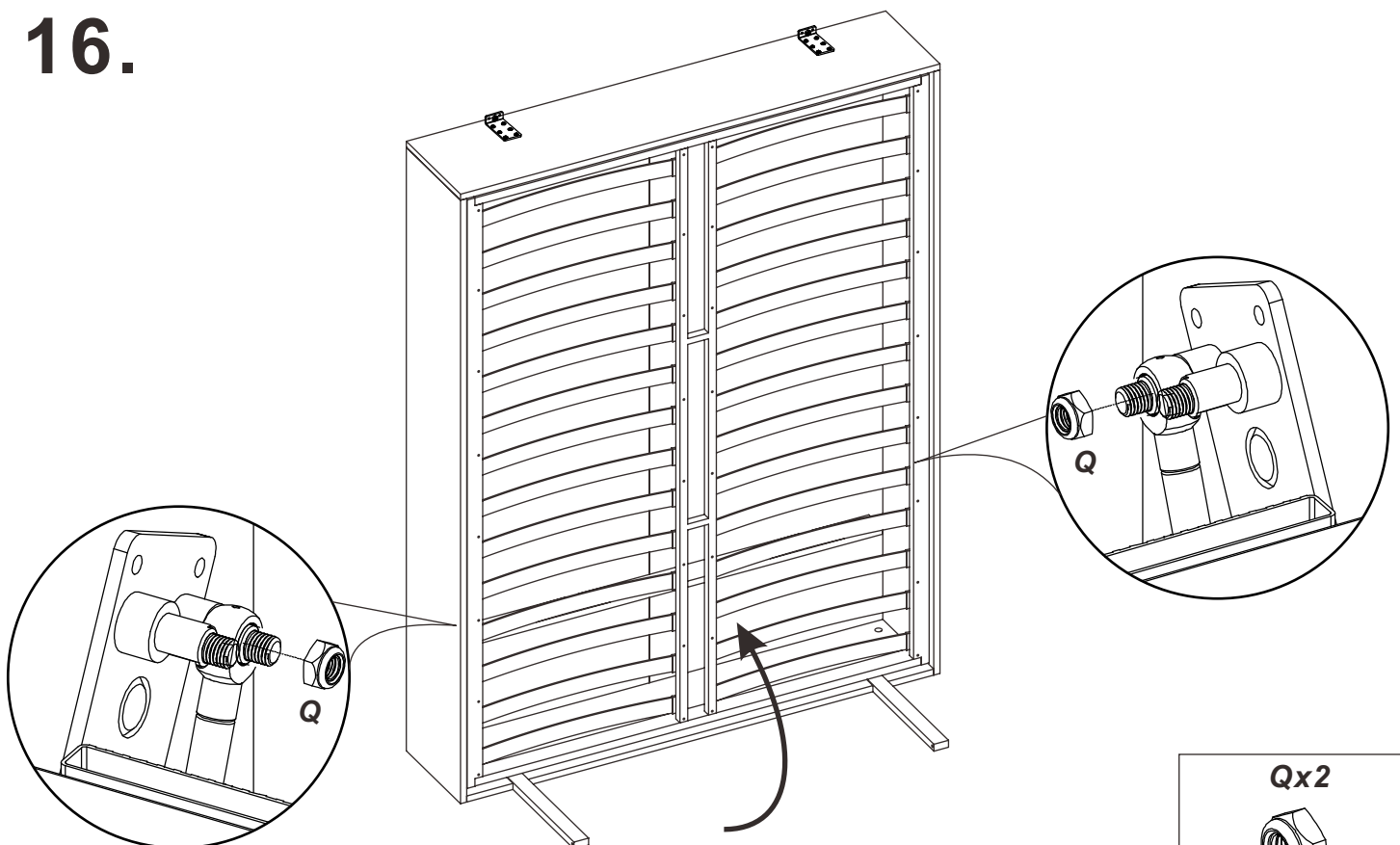
Nx2

Ox2



M12*35

16.

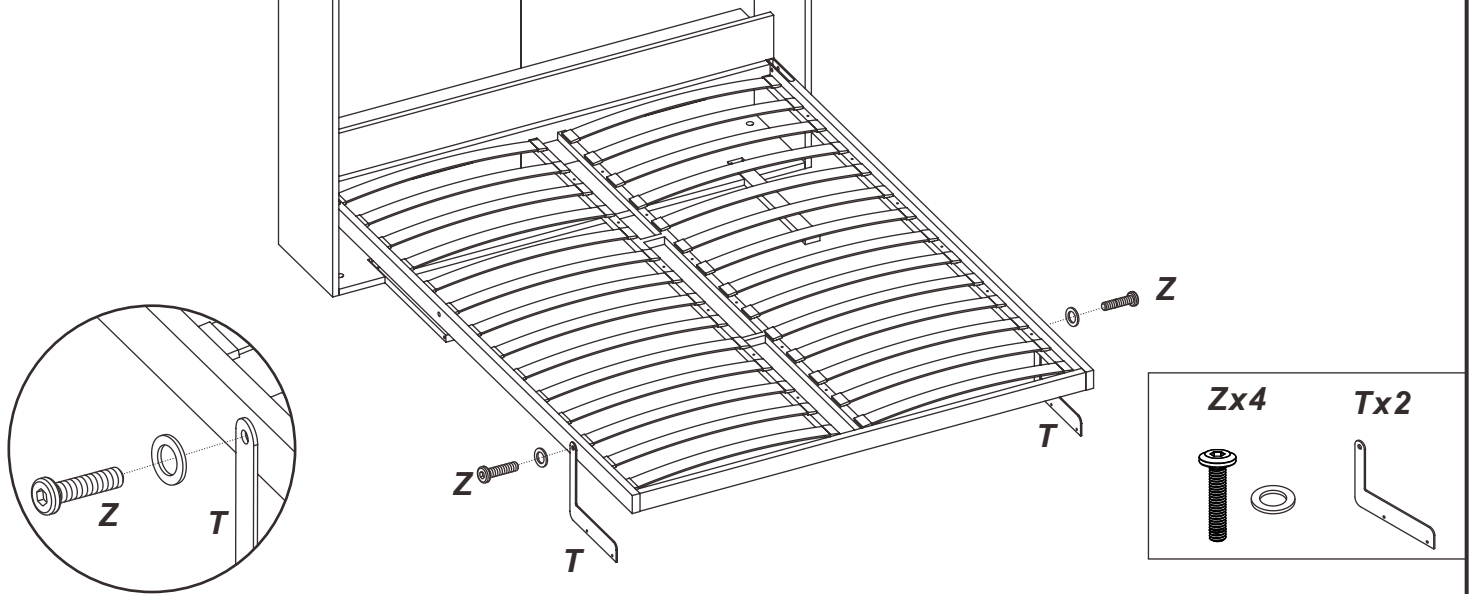


Qx2

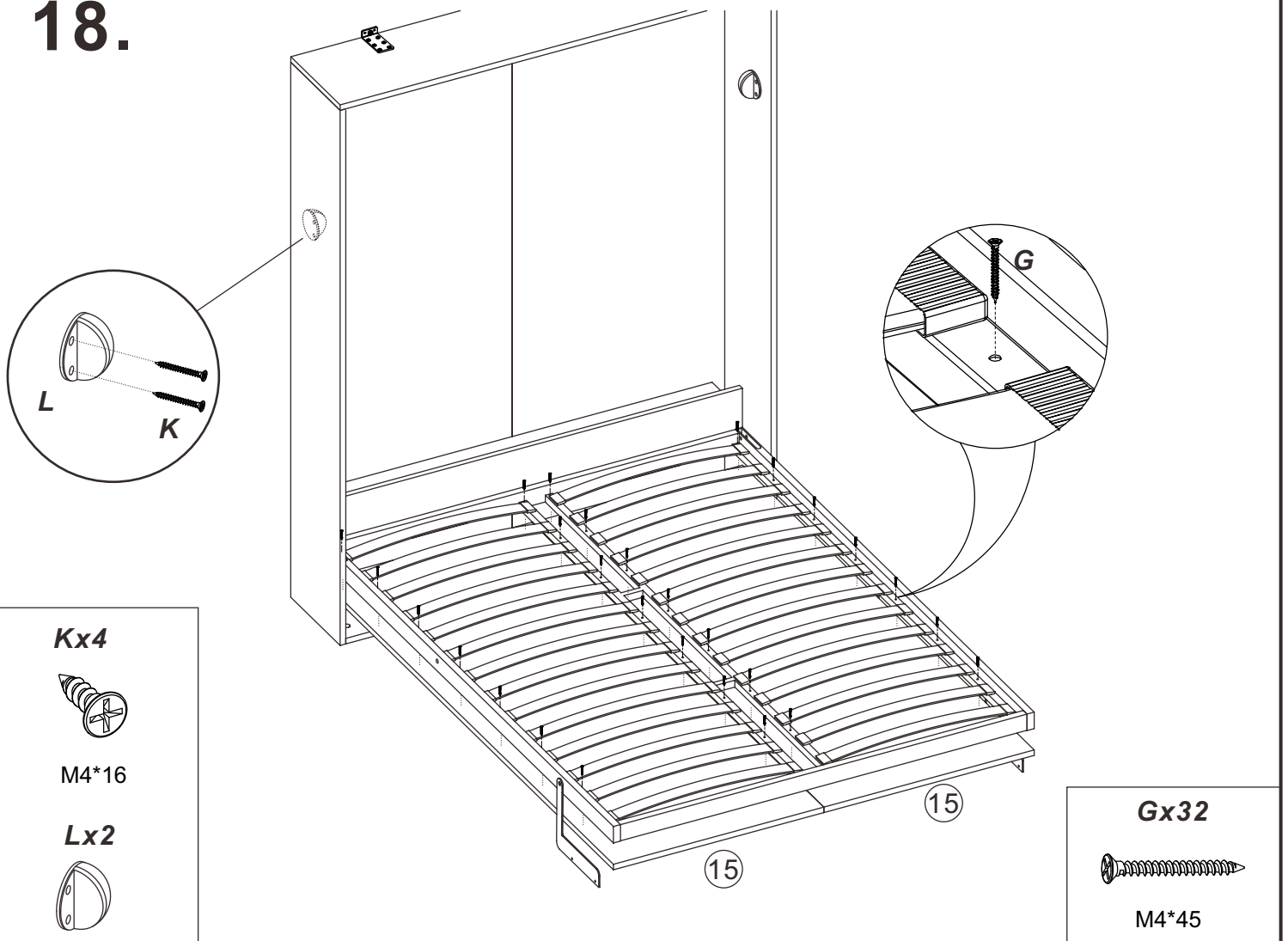


M8

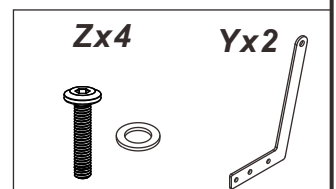
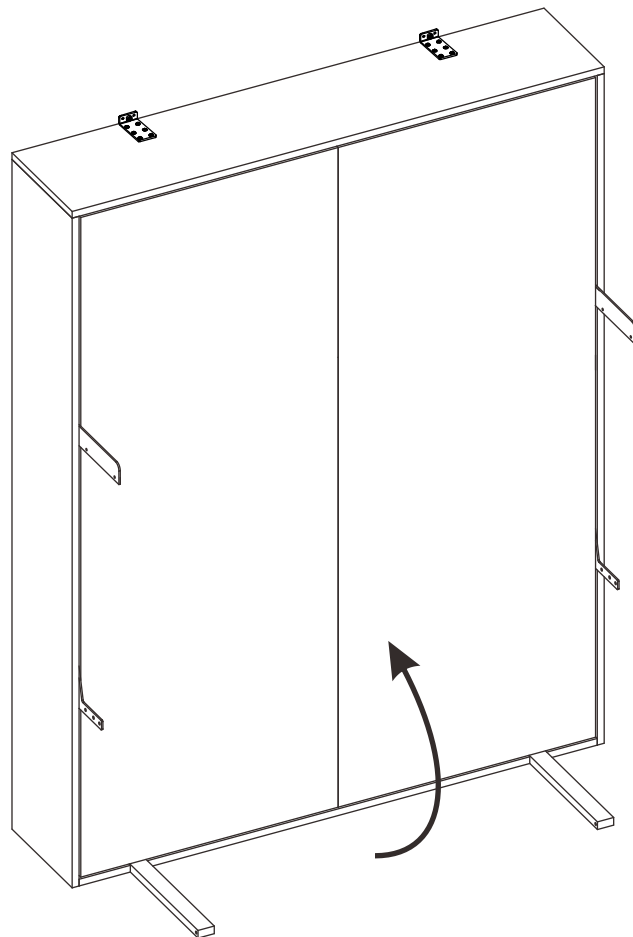
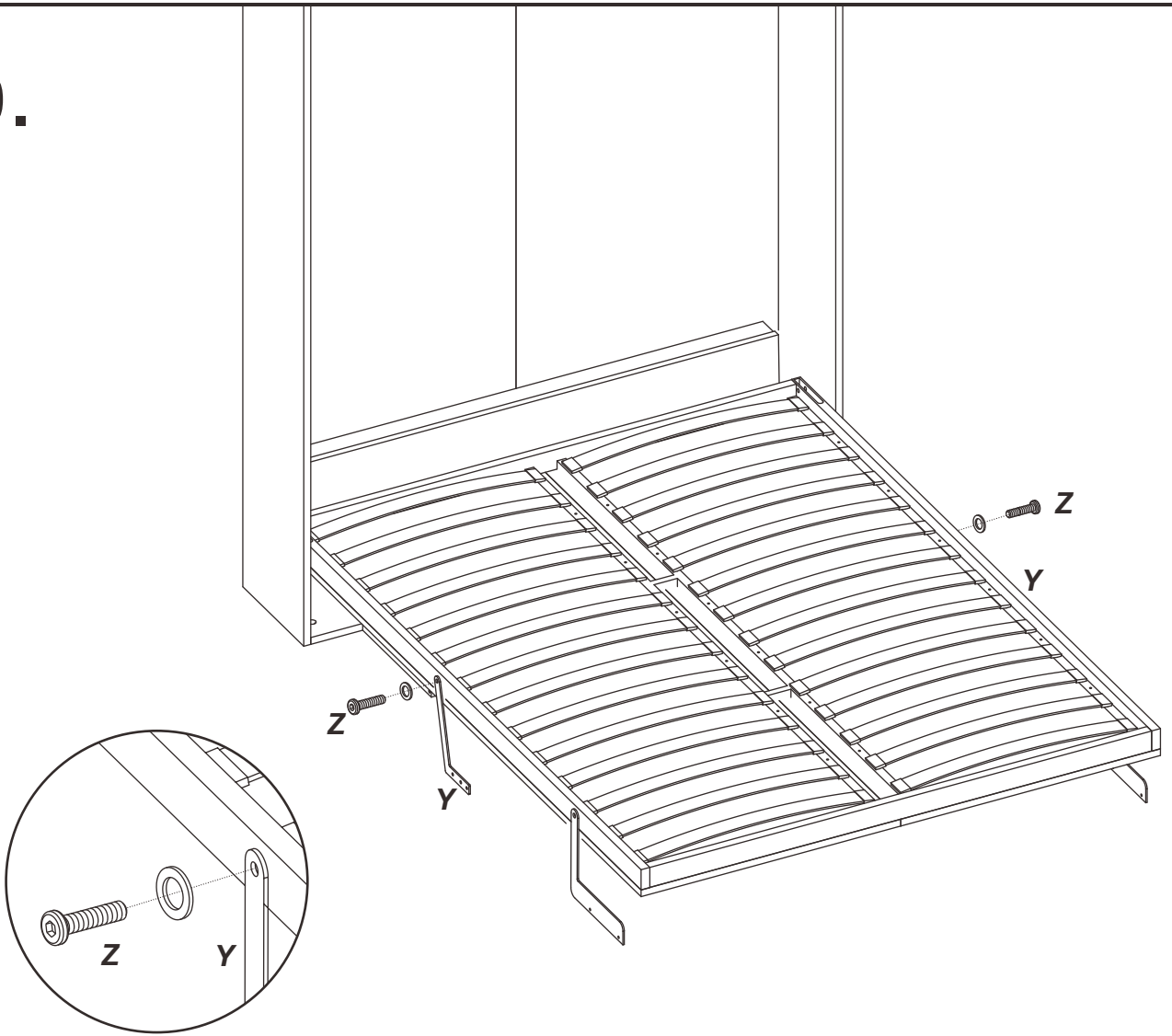
17.



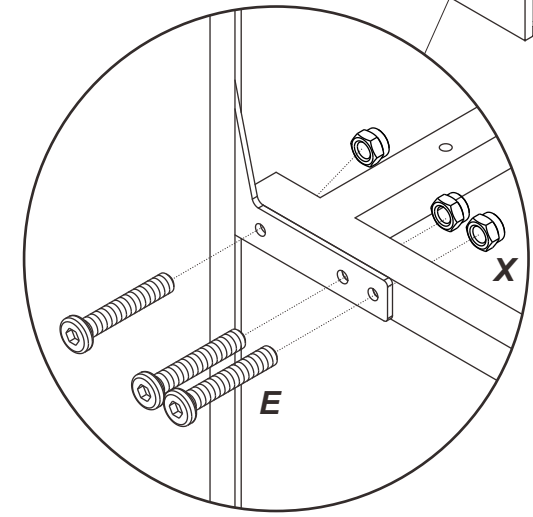
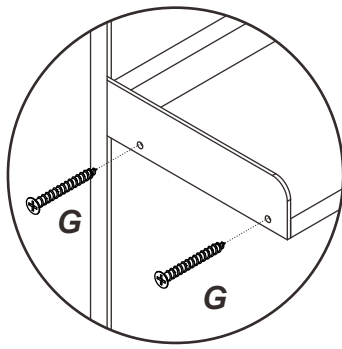
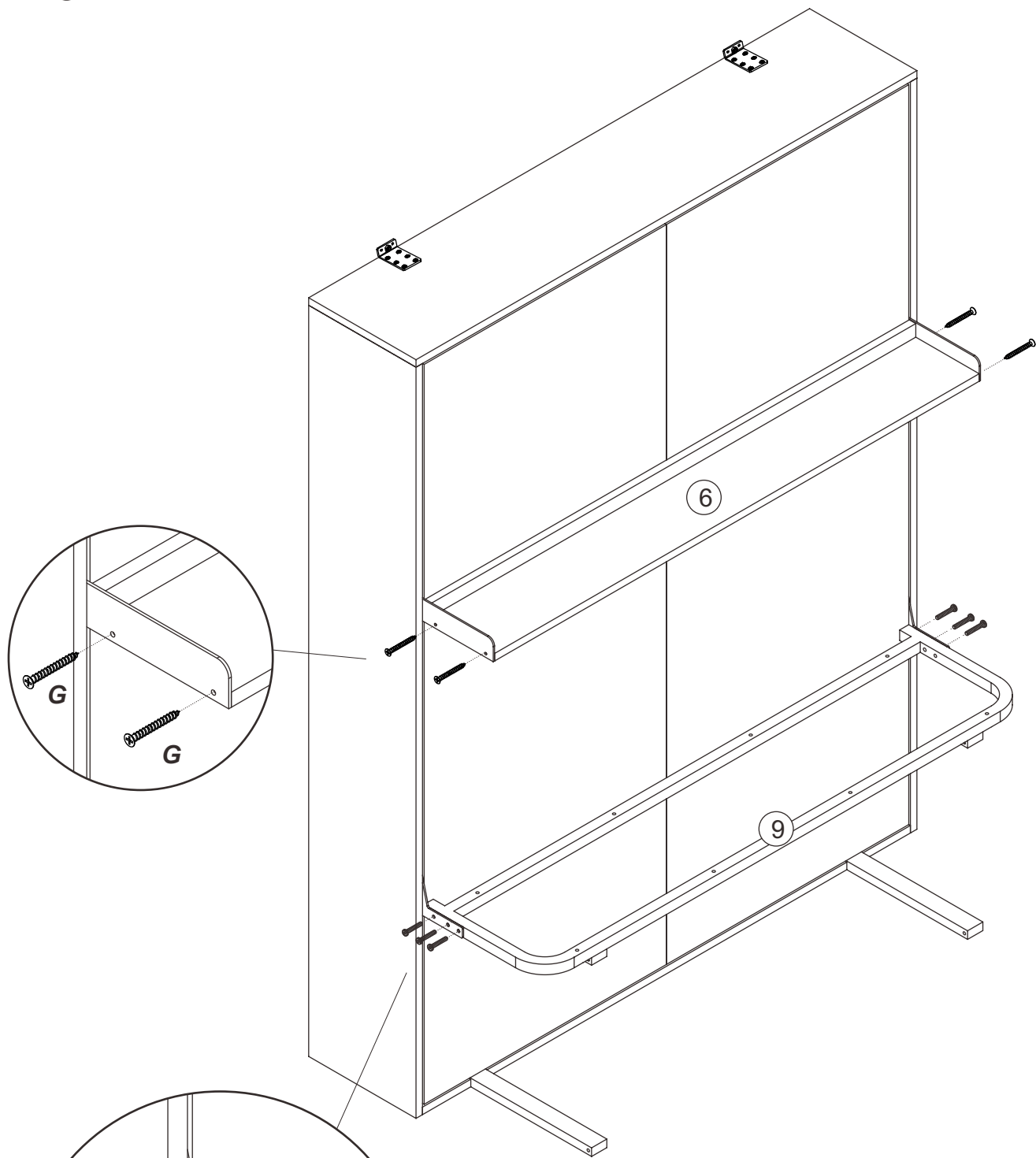
18.

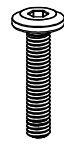




19.

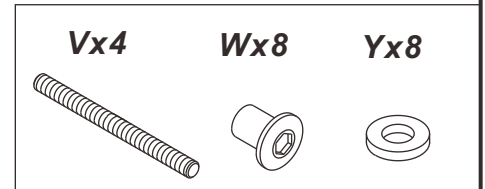
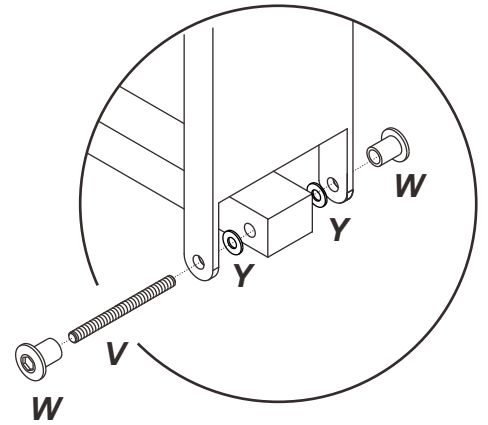
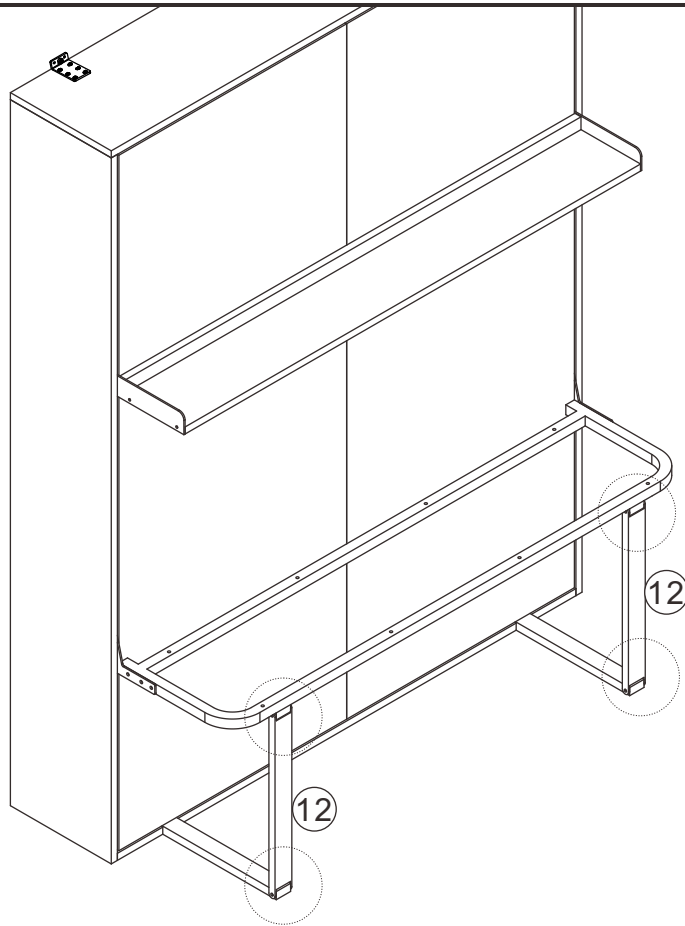


20.

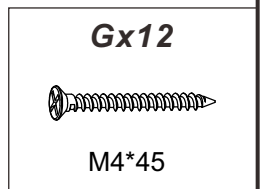
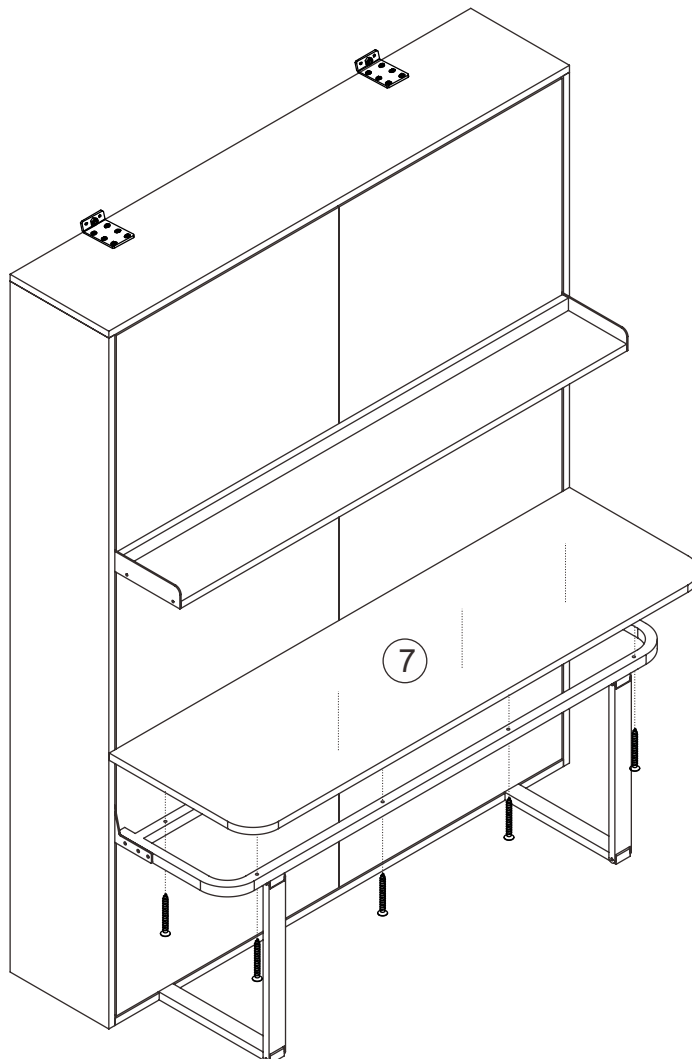


Ex6	Xx6
	
M6*35	
	Gx4
	
	M4*45

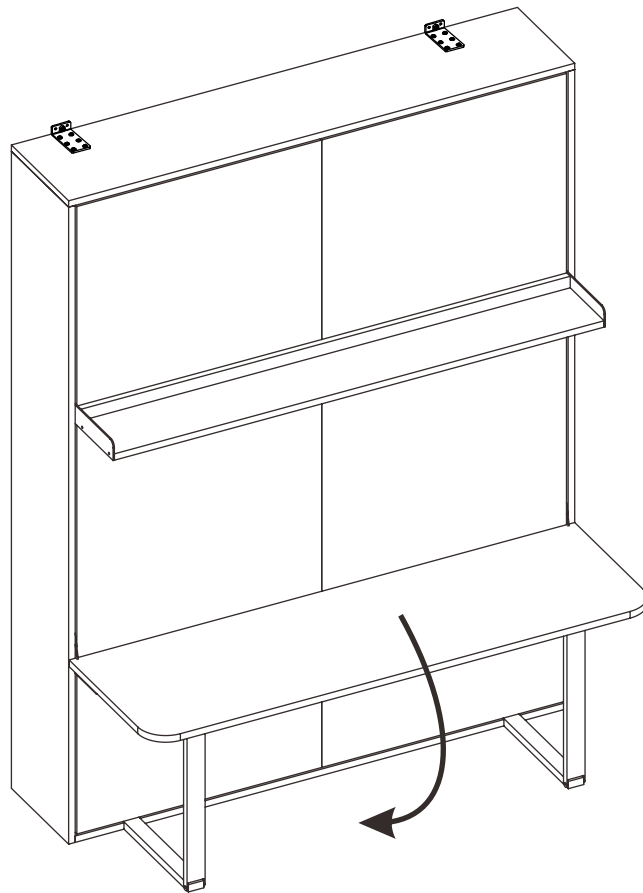
21.



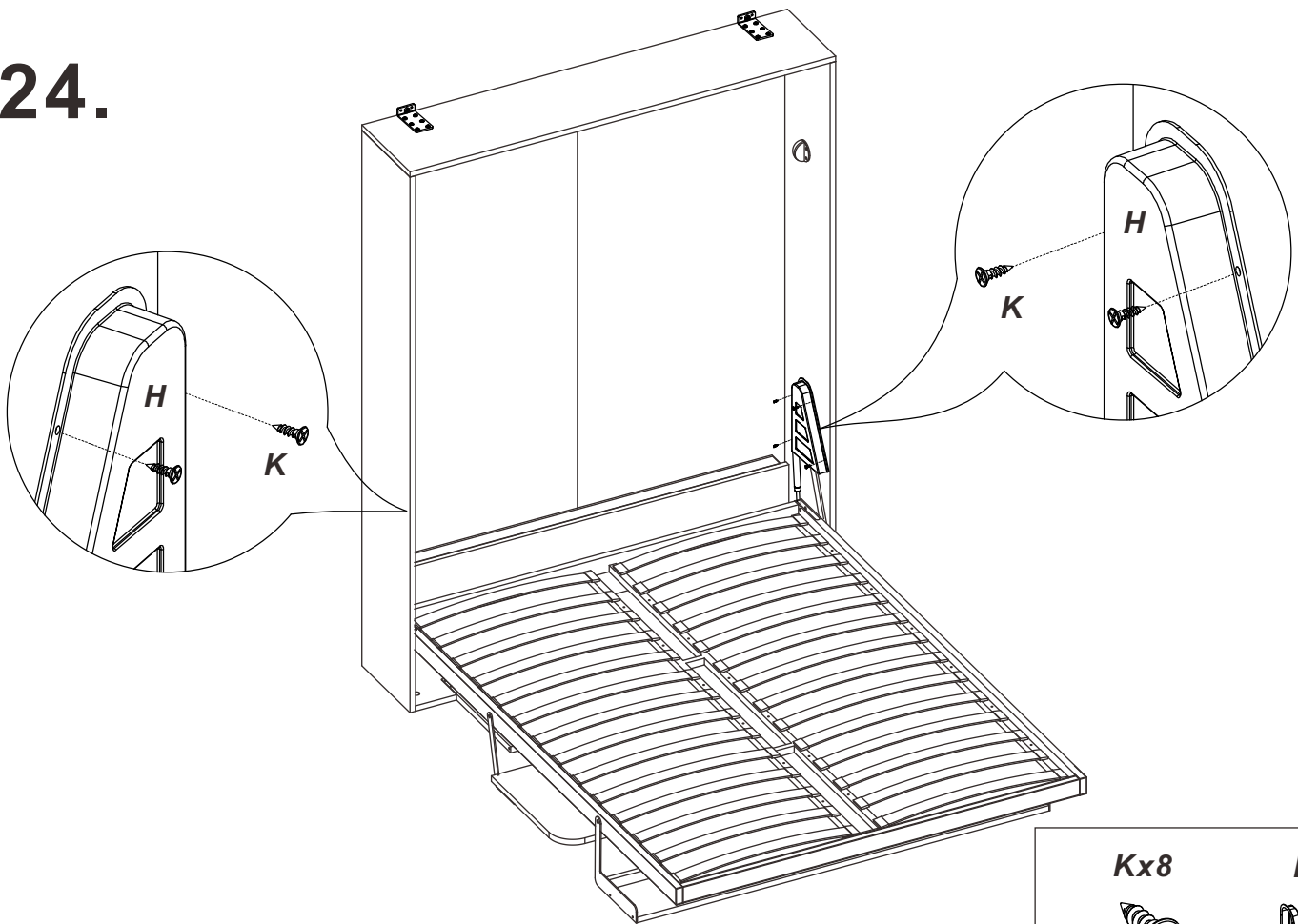
22.



23.



24.



Kx8



M4*16

Hx2



25.

