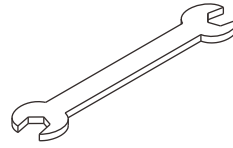
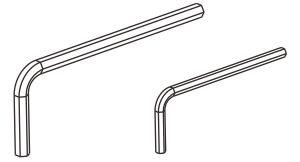
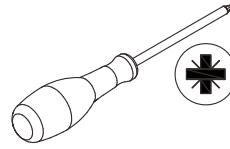
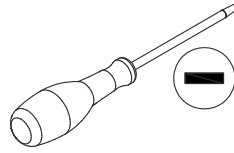
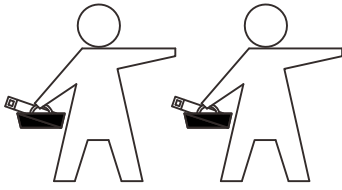
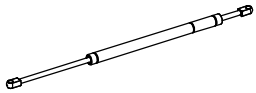


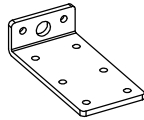
L=0.9m	⑪ x1
L>0.9m	⑪ x2



Ax2

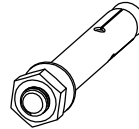


Bx2



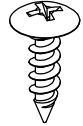
100*50*25mm

Cx2



M8*80

Dx36



M5*20

Ex8



M6*35

Fx2



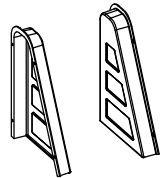
M6*16

G



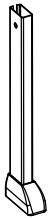
M4*45

Hx2



300*210*35mm

Jx2



Kx12

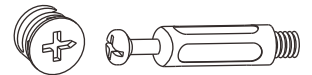


M4*16

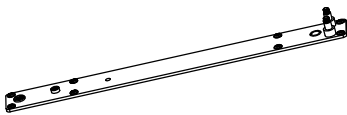
Lx2



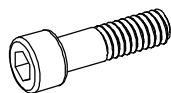
Ux28



Mx2

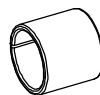


Nx2

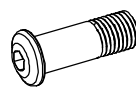


M12*35

Ox2



Px2



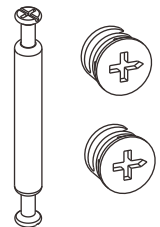
M8*25

Qx2



M8

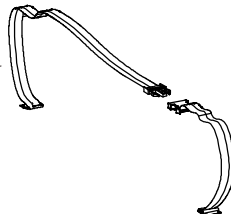
Vx4



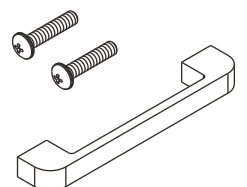
Rx2



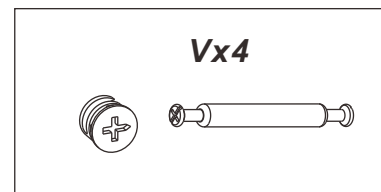
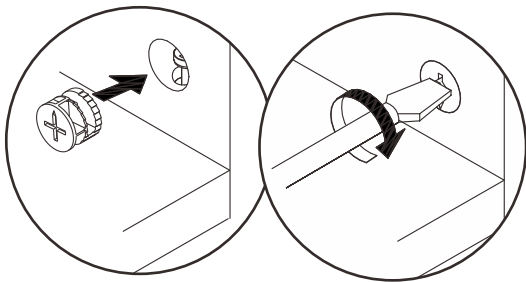
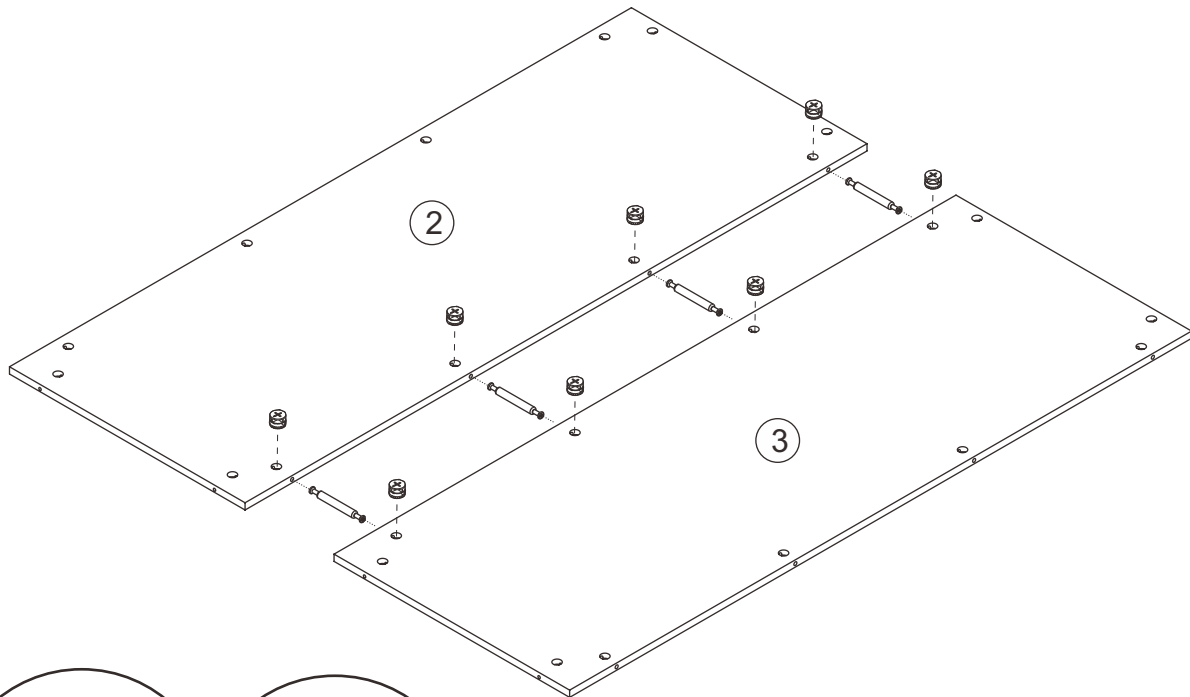
Sx1



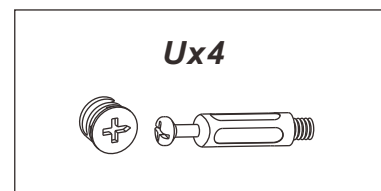
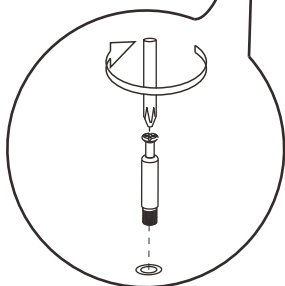
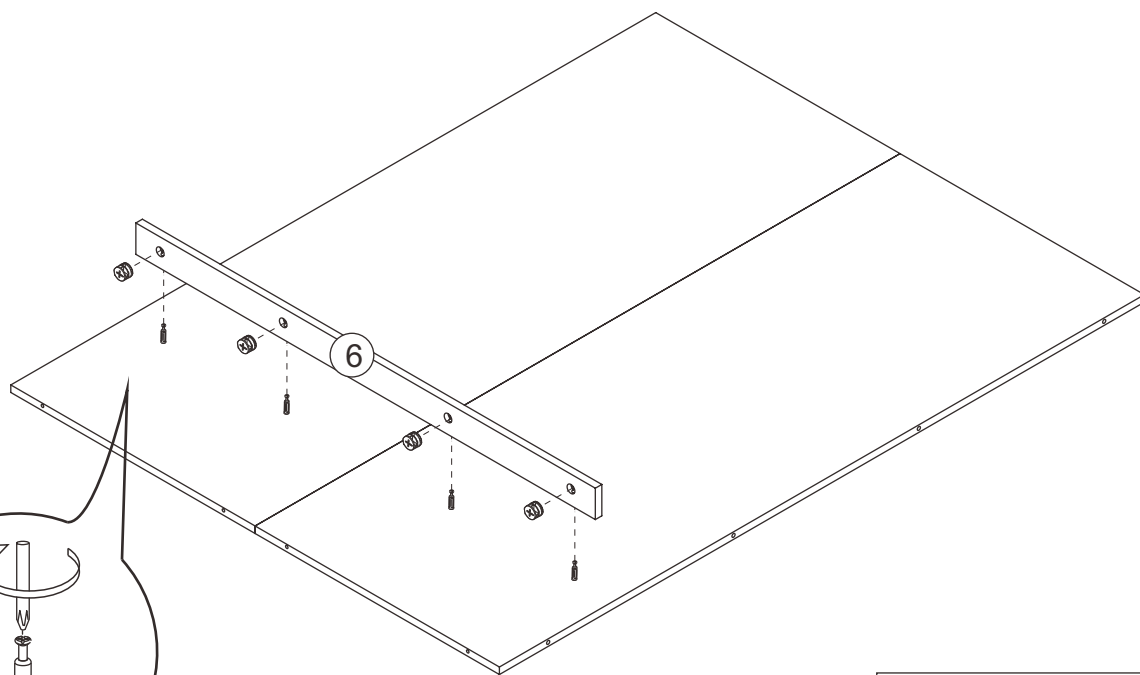
Tx1



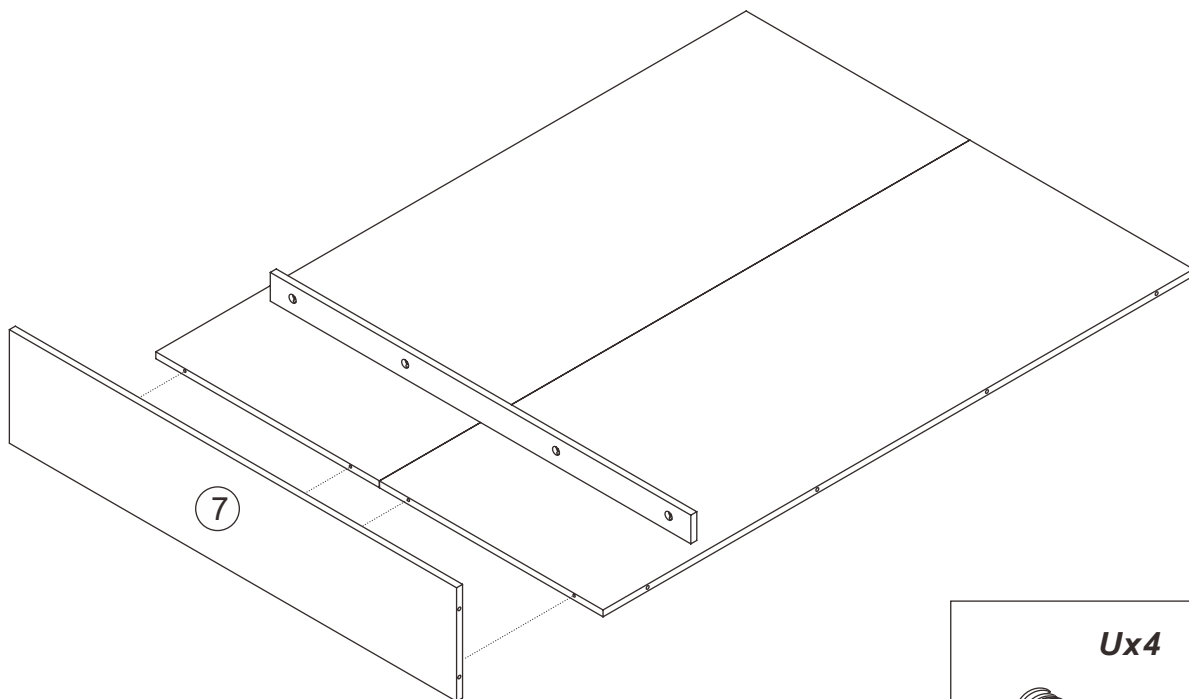
1.



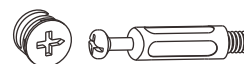
2.



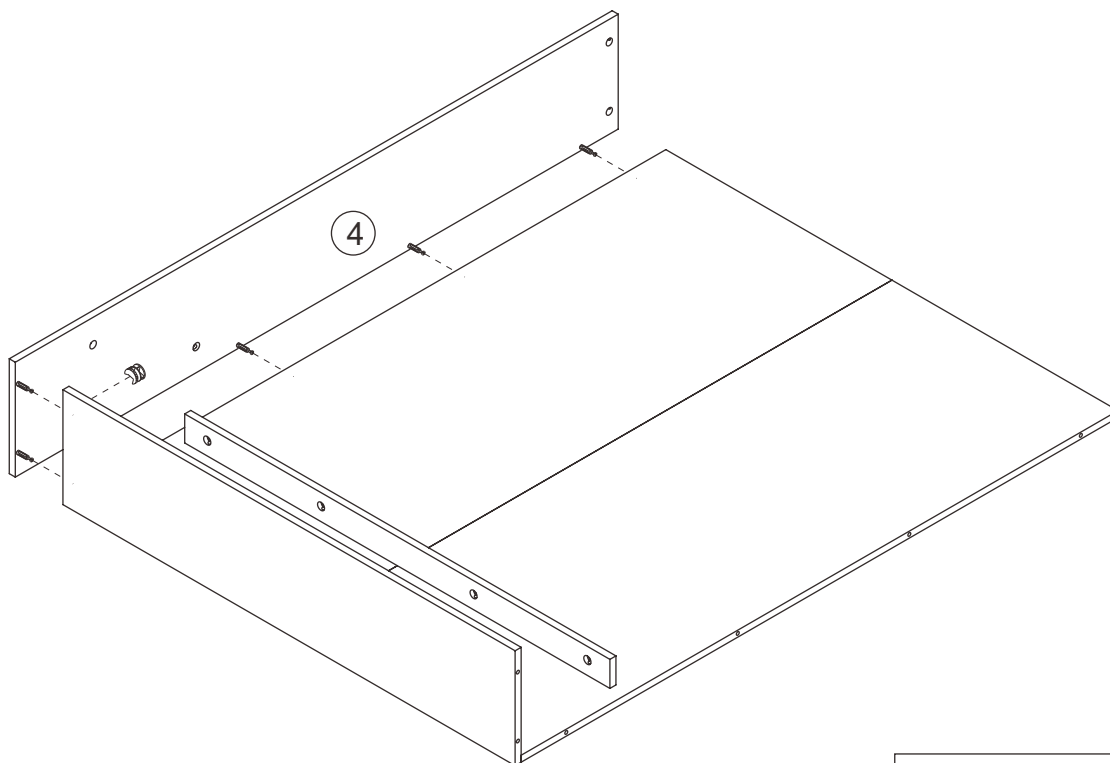
3.



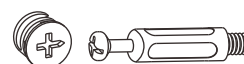
Ux4



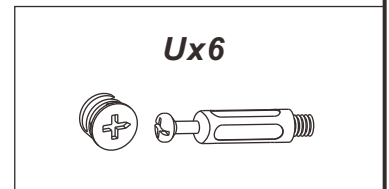
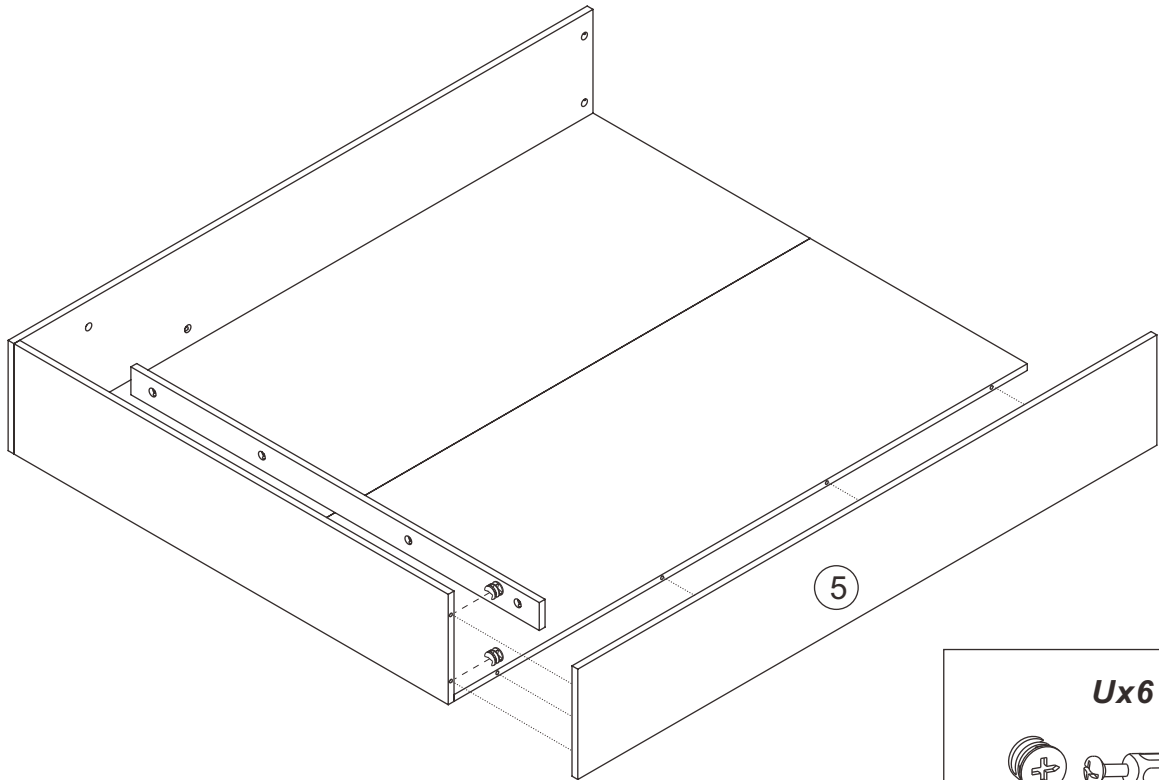
4.



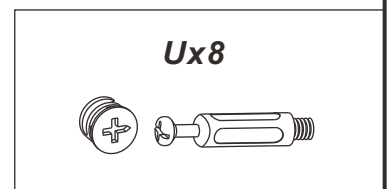
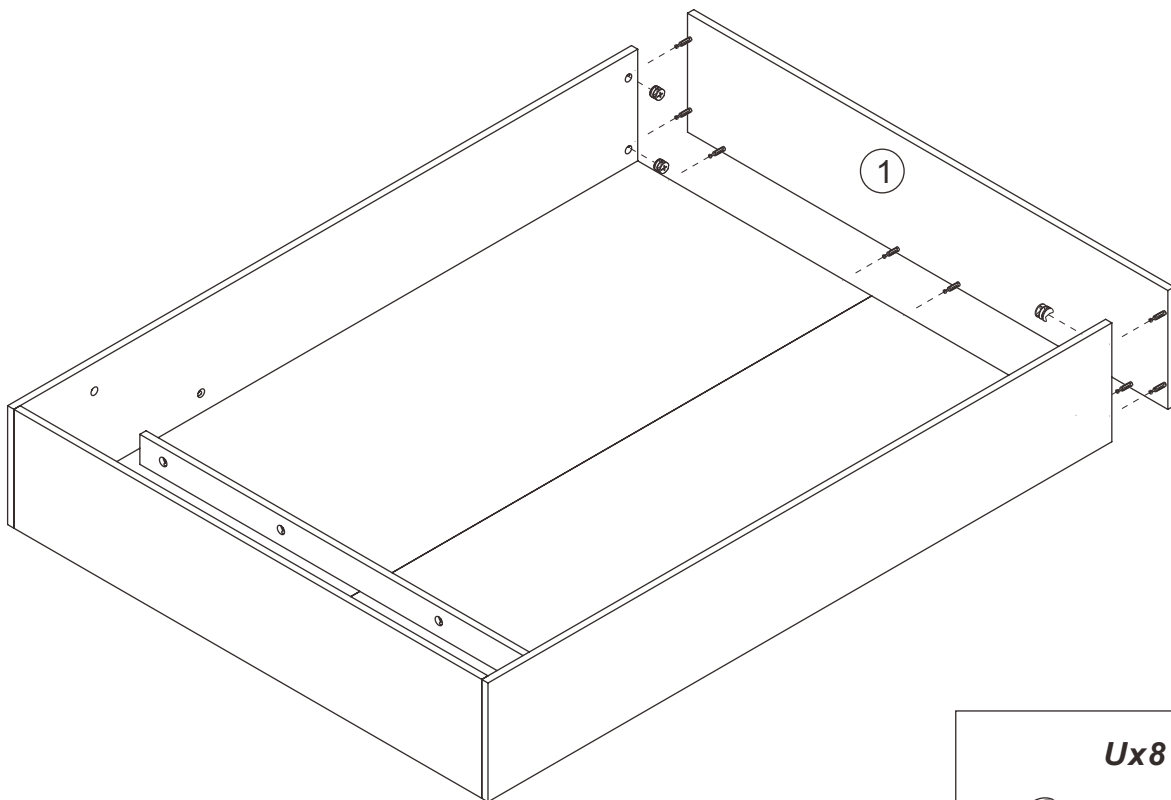
Ux6



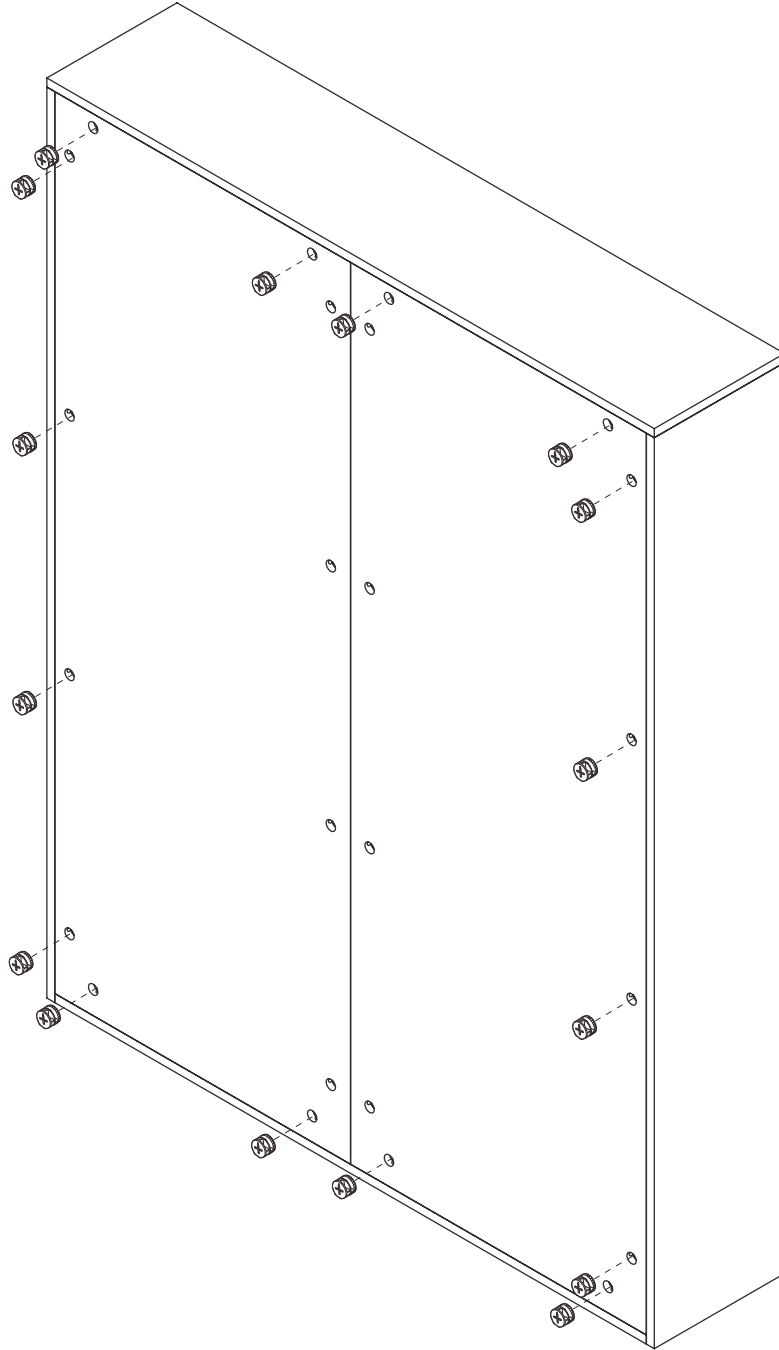
5.



6.



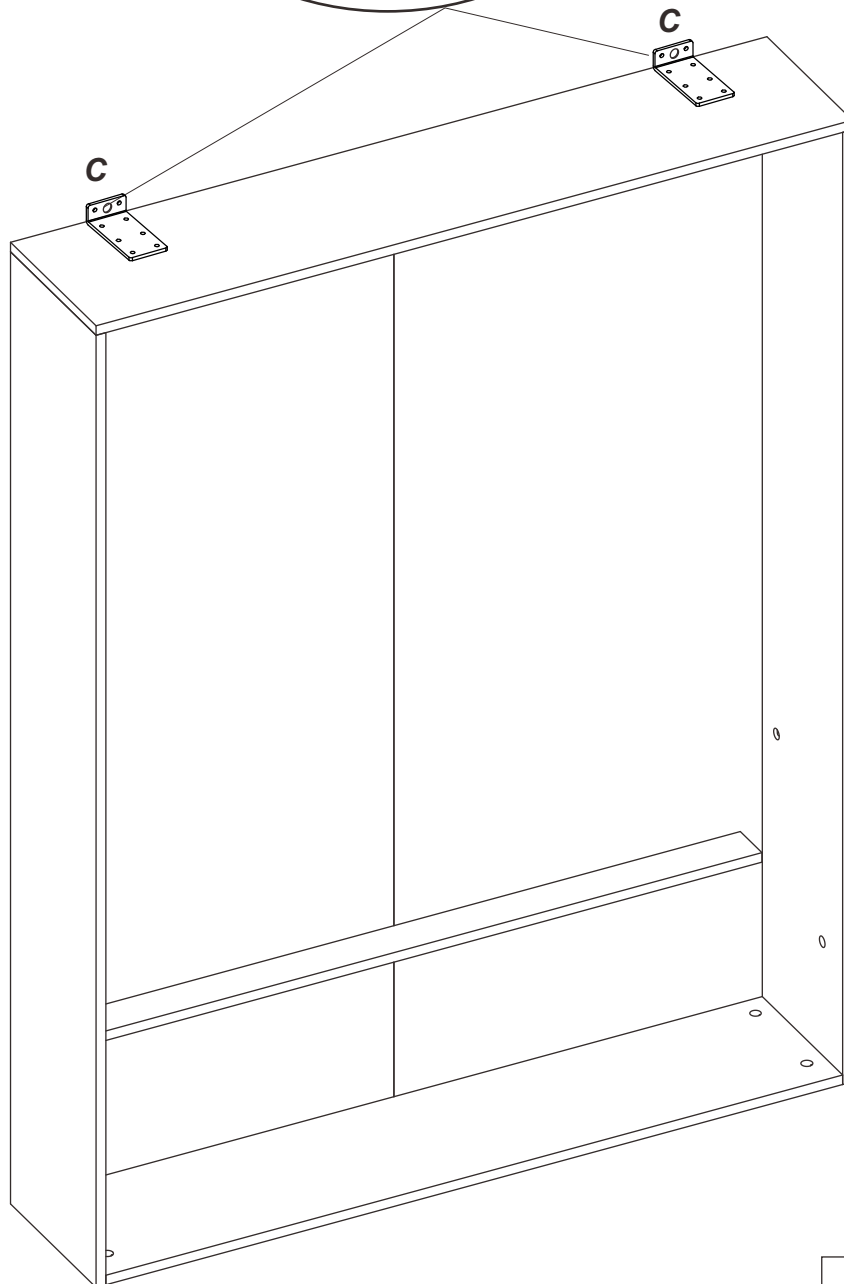
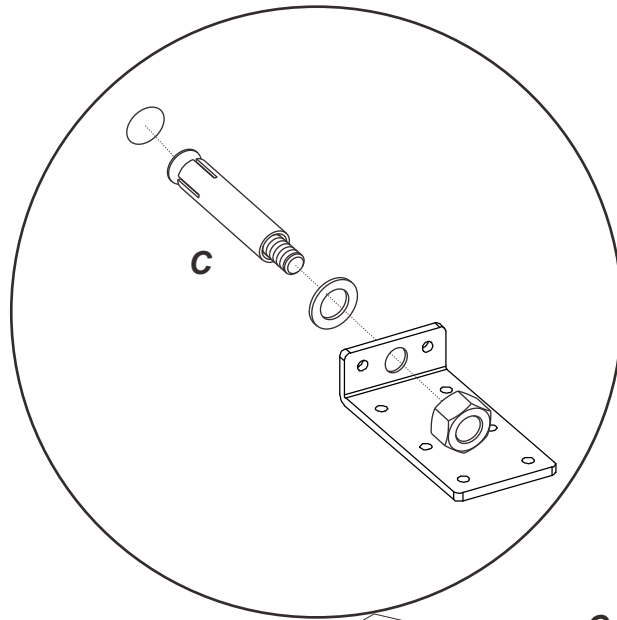
7.



Ux16



10.

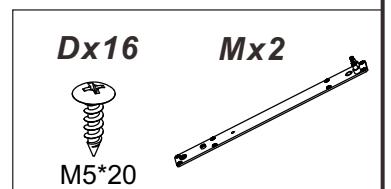
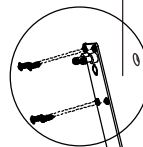
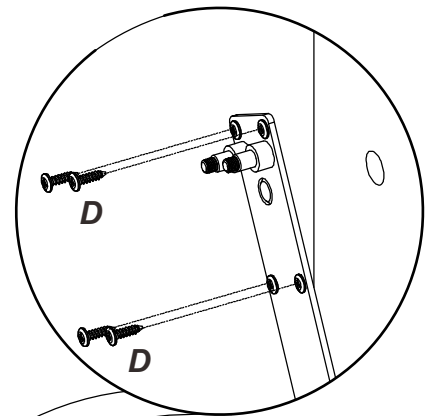
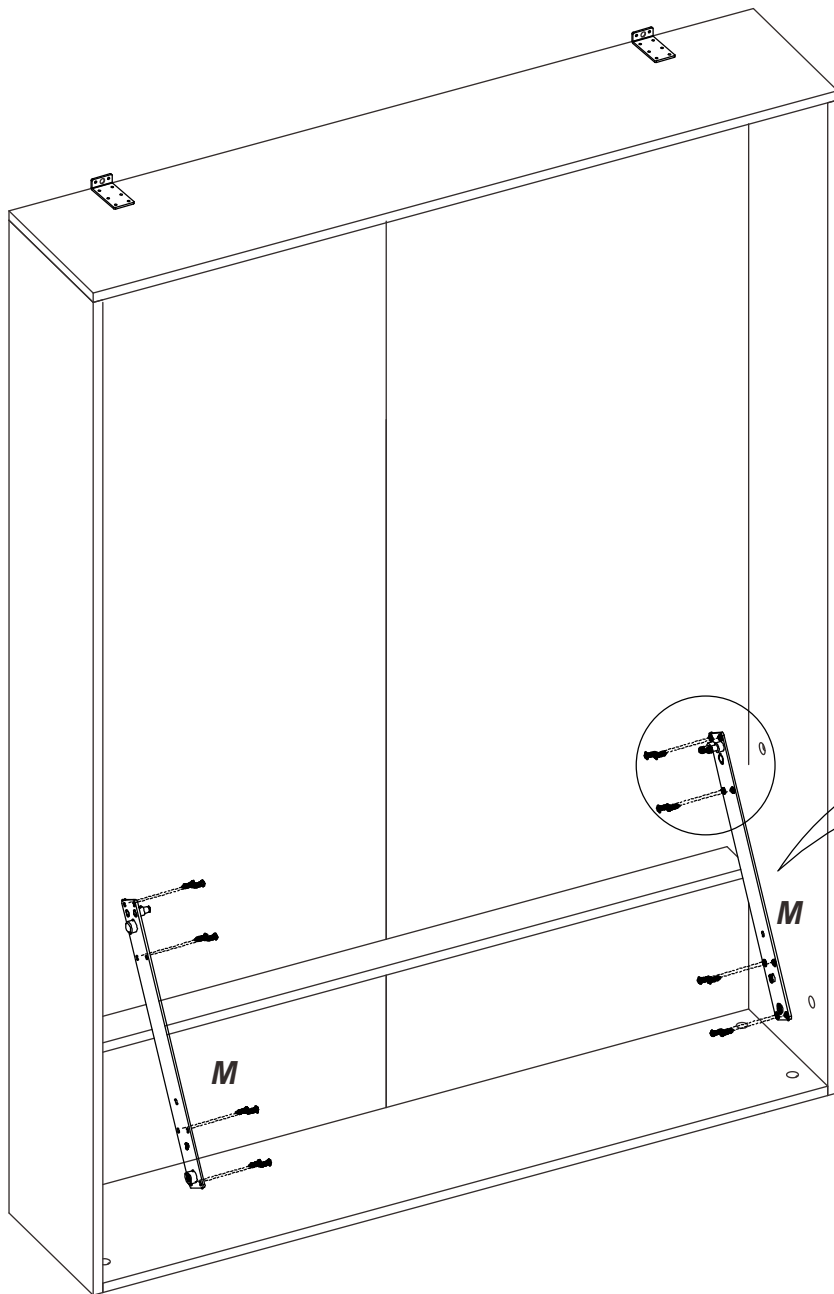


Cx2

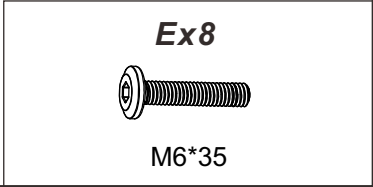
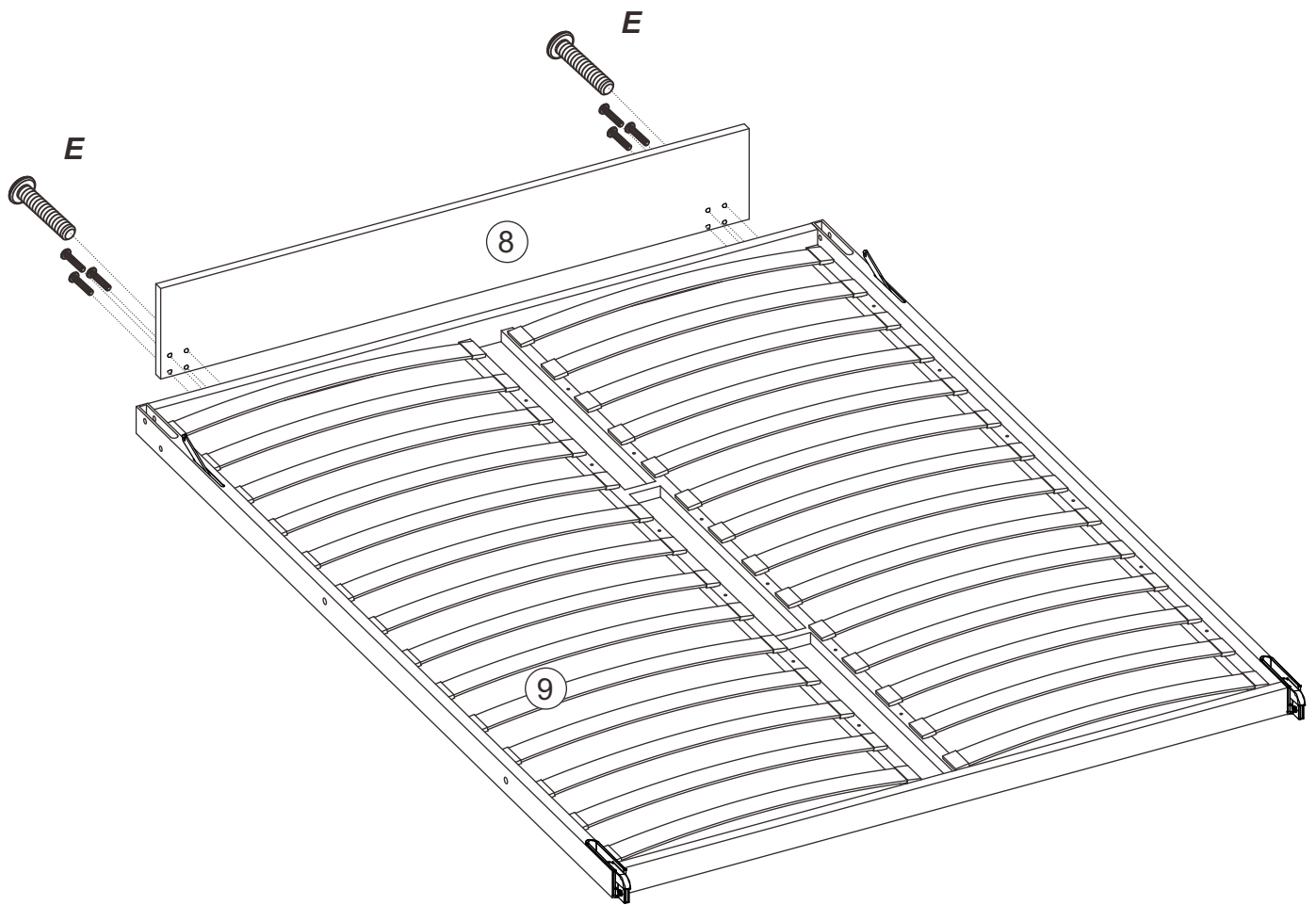


M8*80

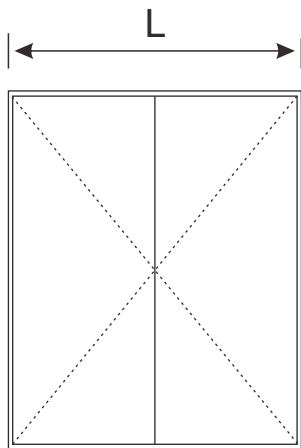
11.



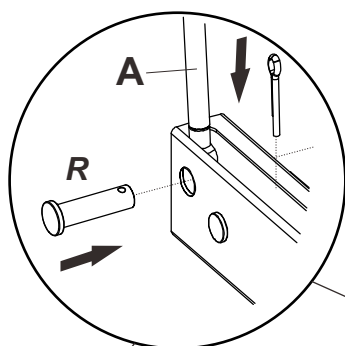
12.



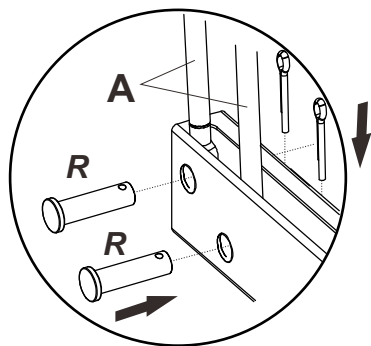
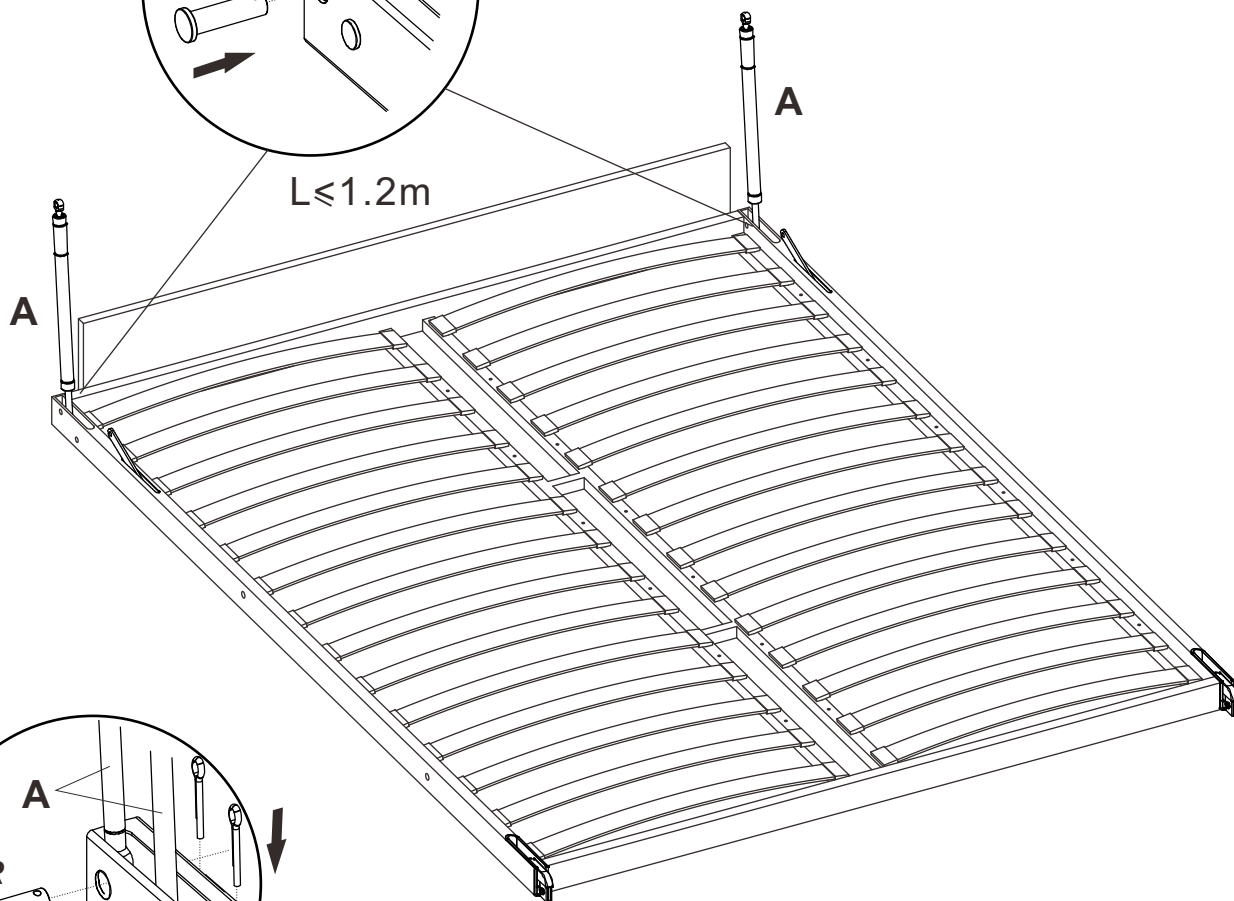
13.



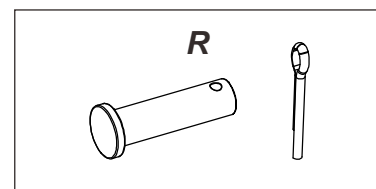
$L \leq 1.2m$	 A
$L > 1.2m$	 A



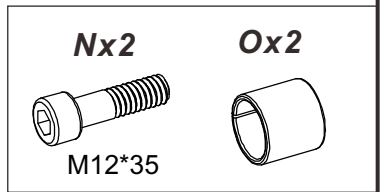
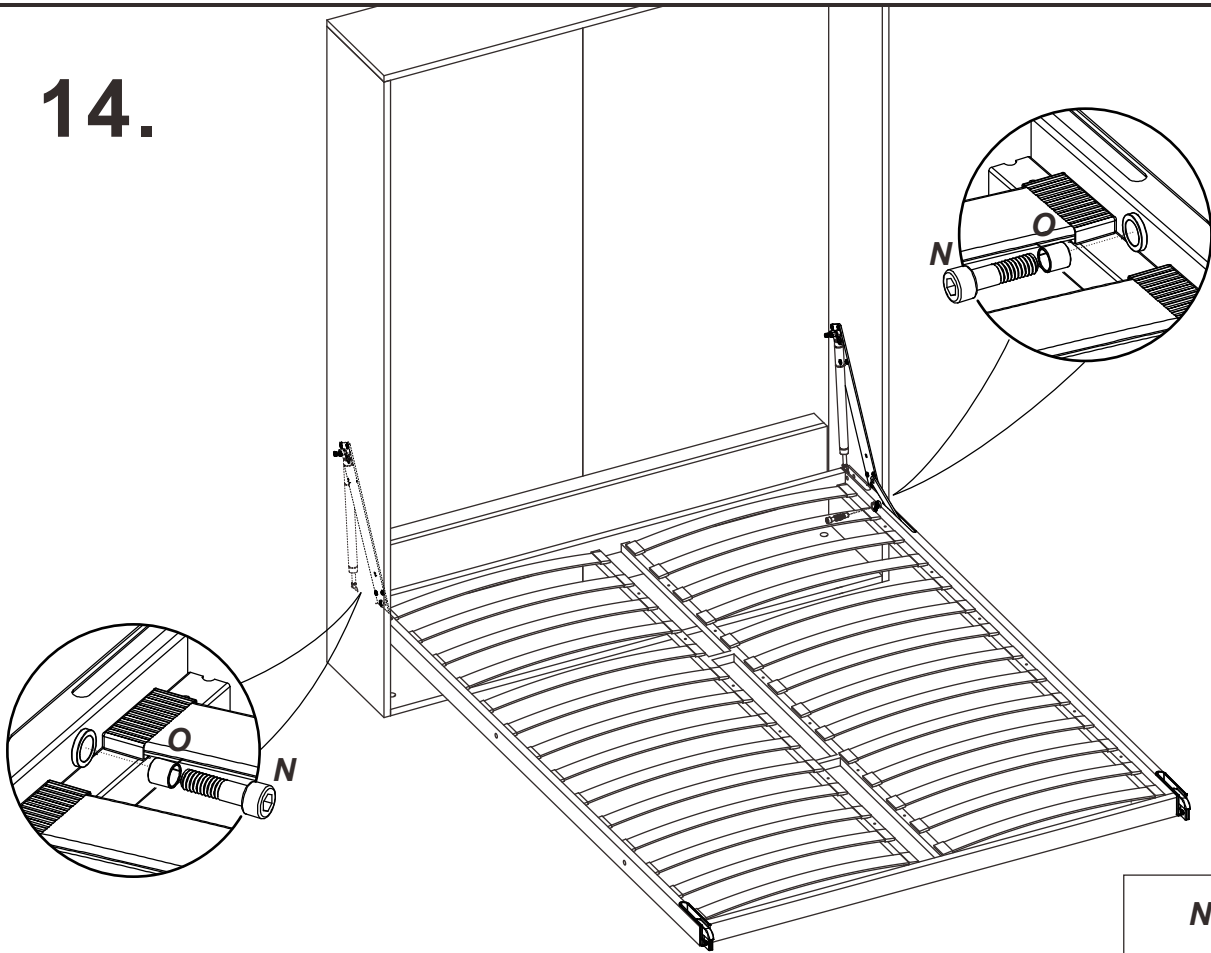
$L \leq 1.2m$



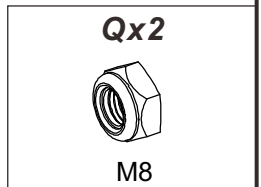
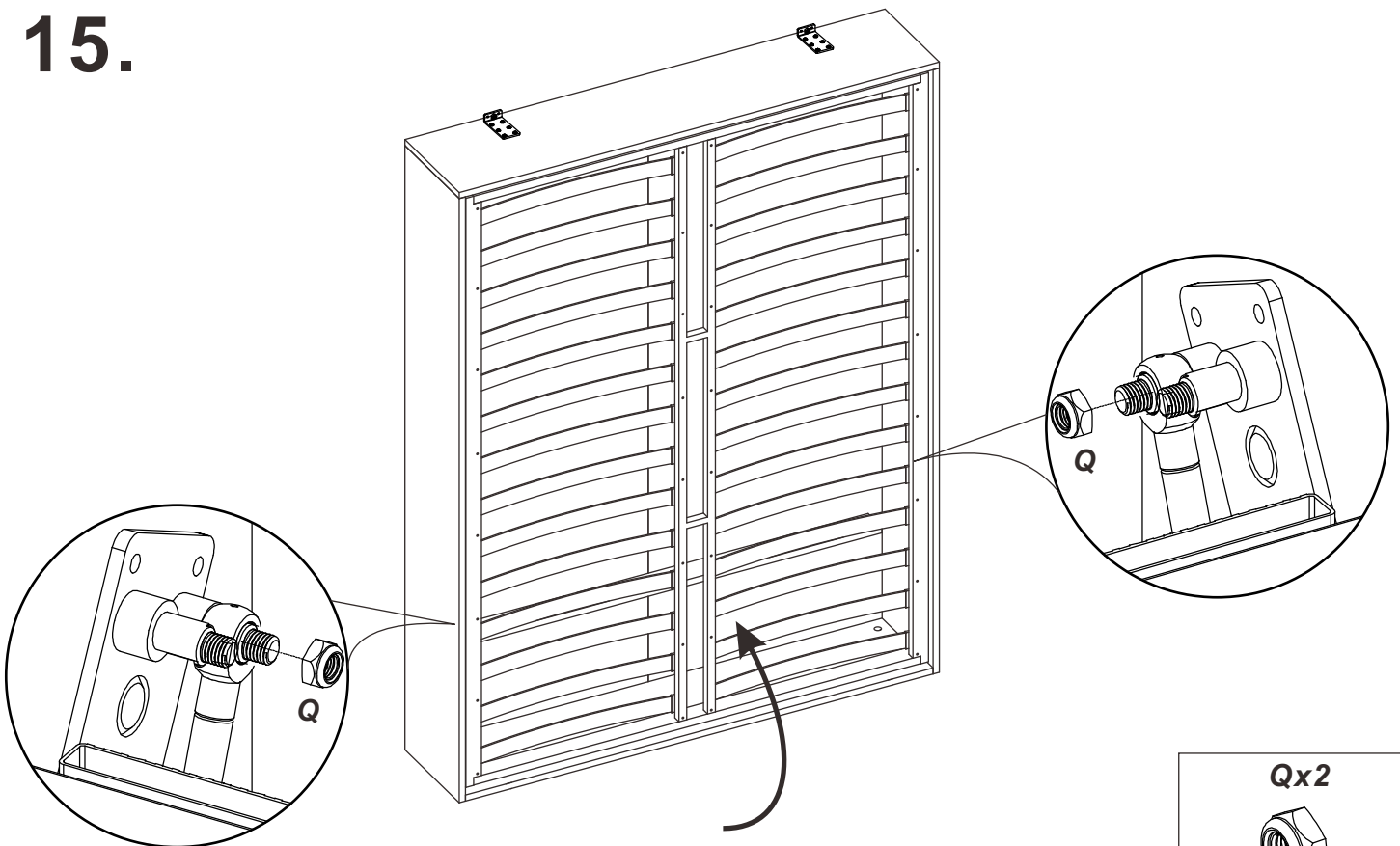
$L > 1.2m$



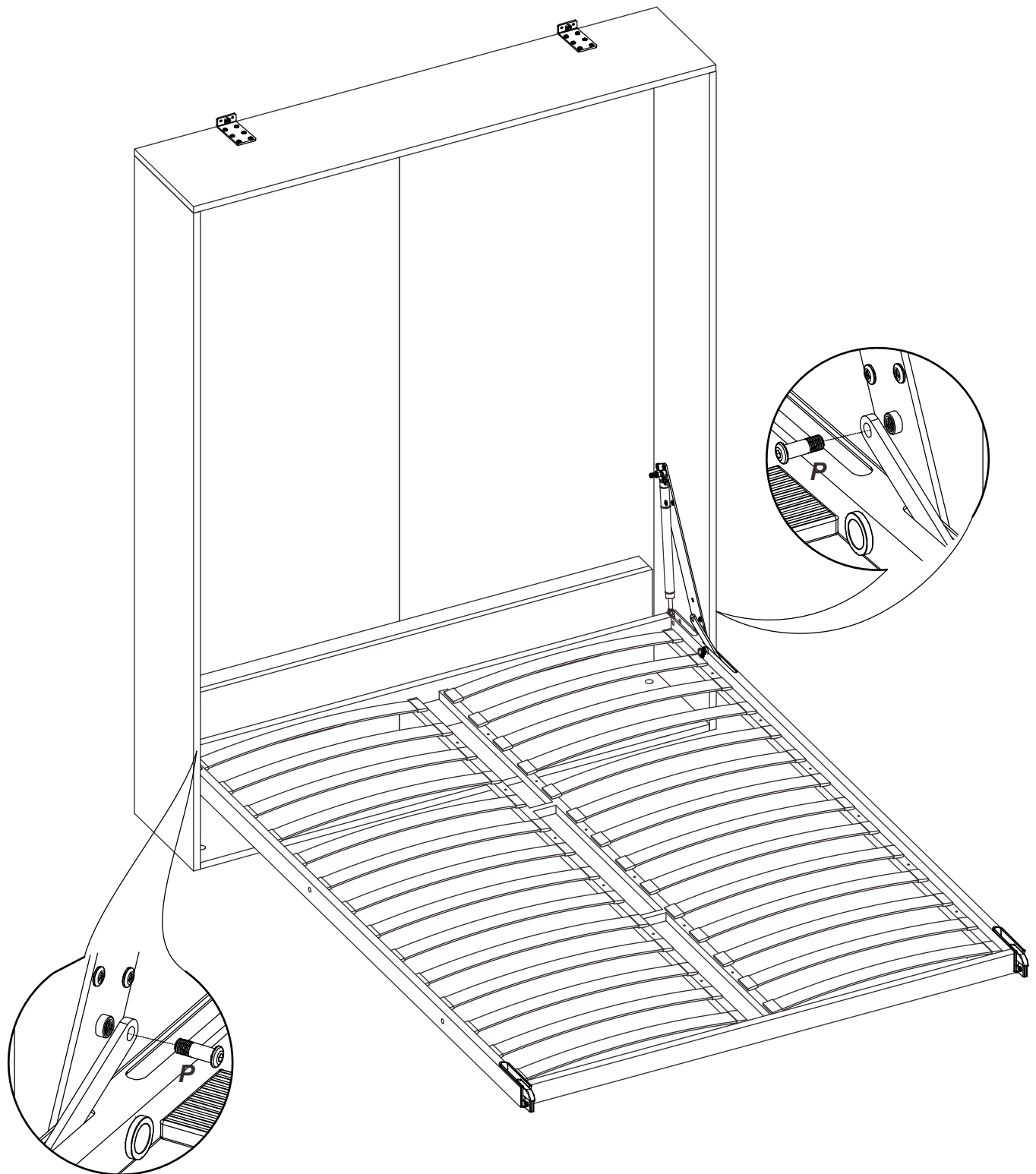
14.



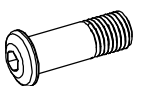
15.



16.

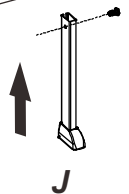
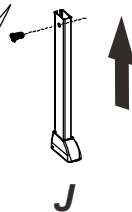
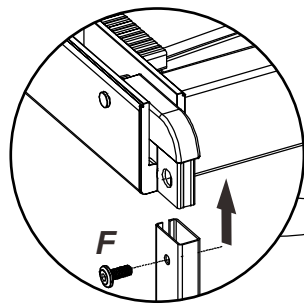
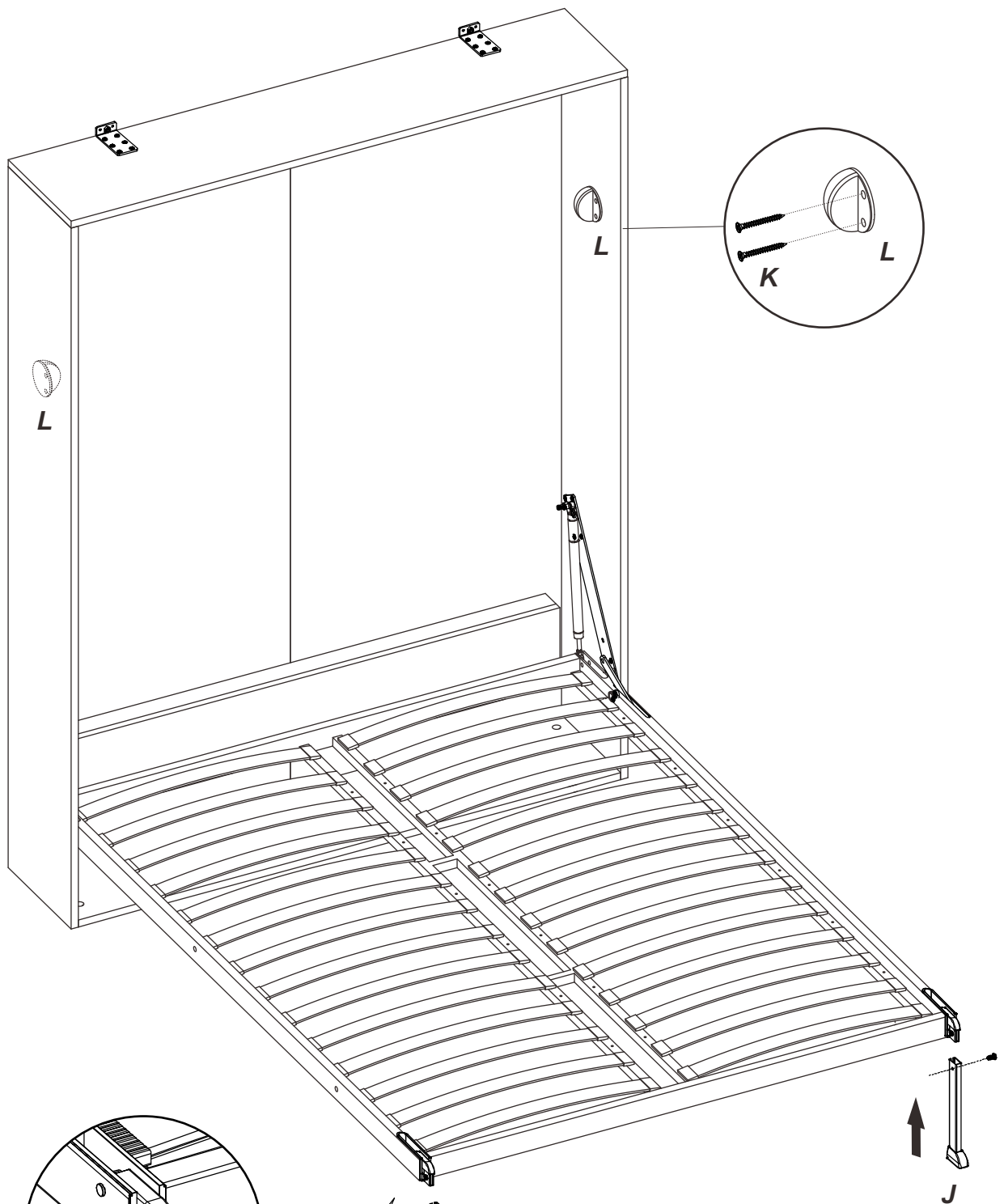






*P*x2



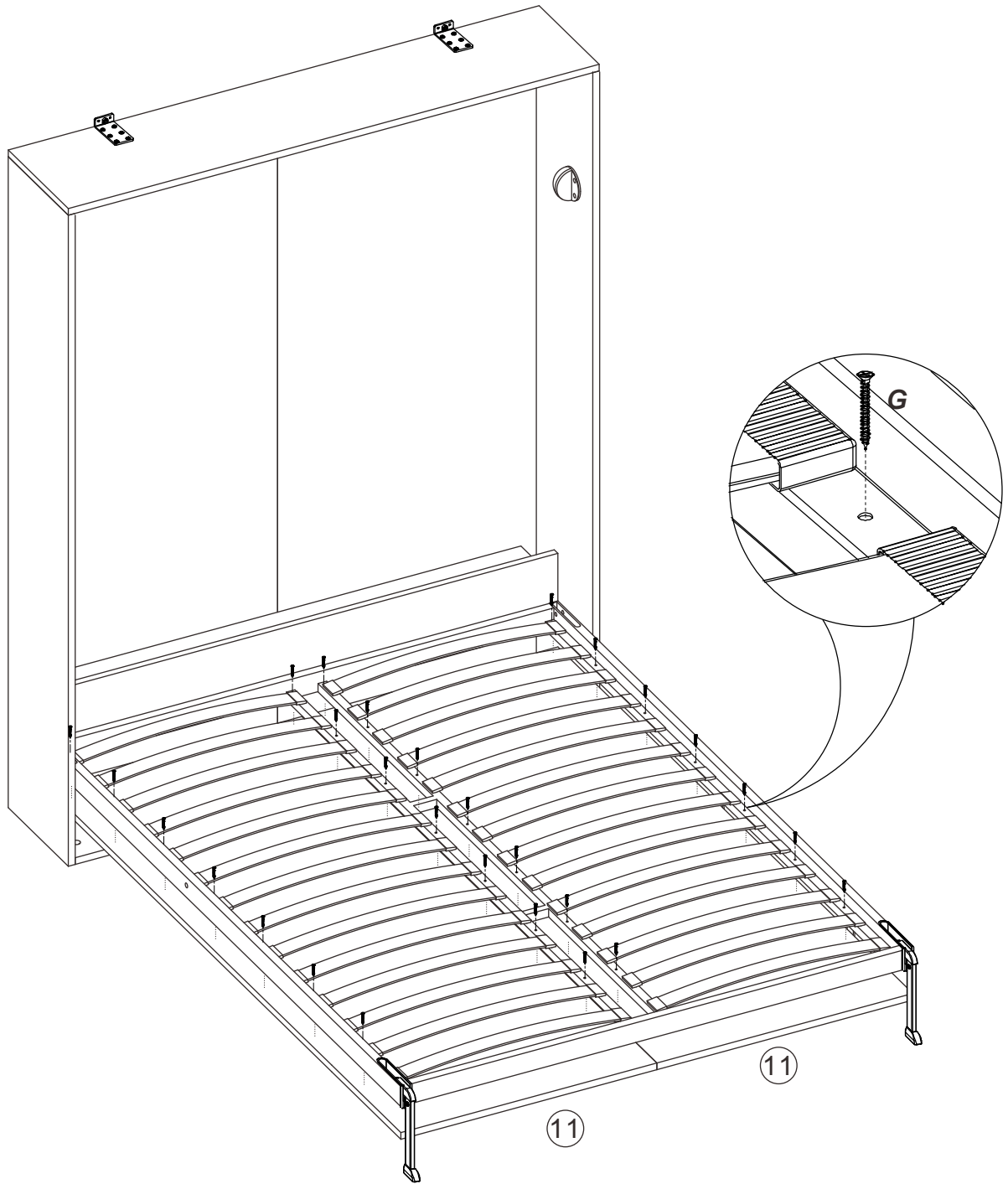
M8*25


17.



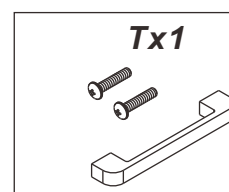
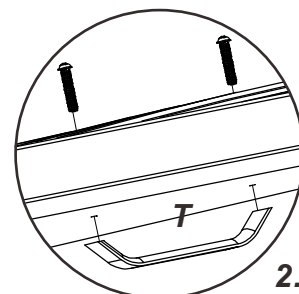
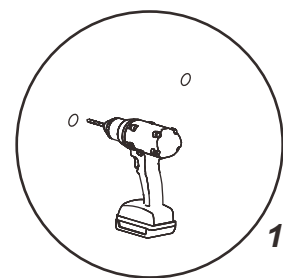
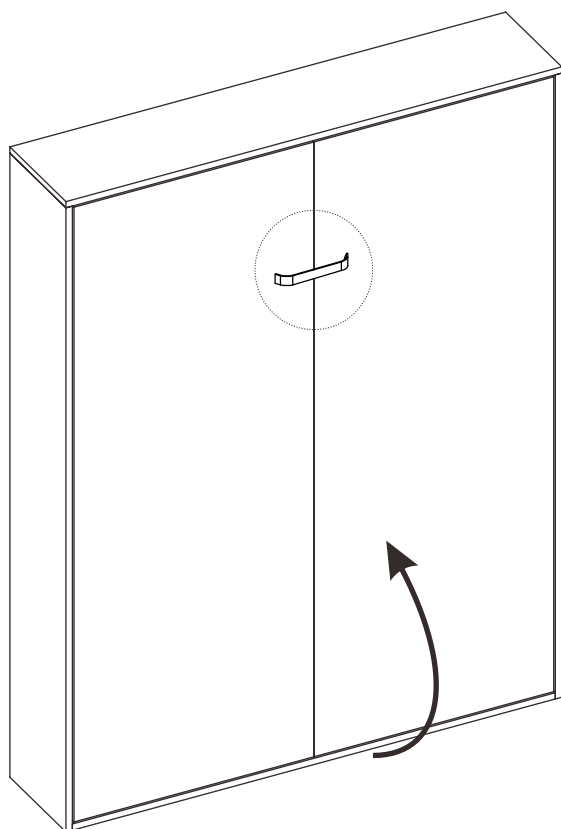
Fx2  M6*16	Kx4  M4*16
Jx2 	Lx2 

18.

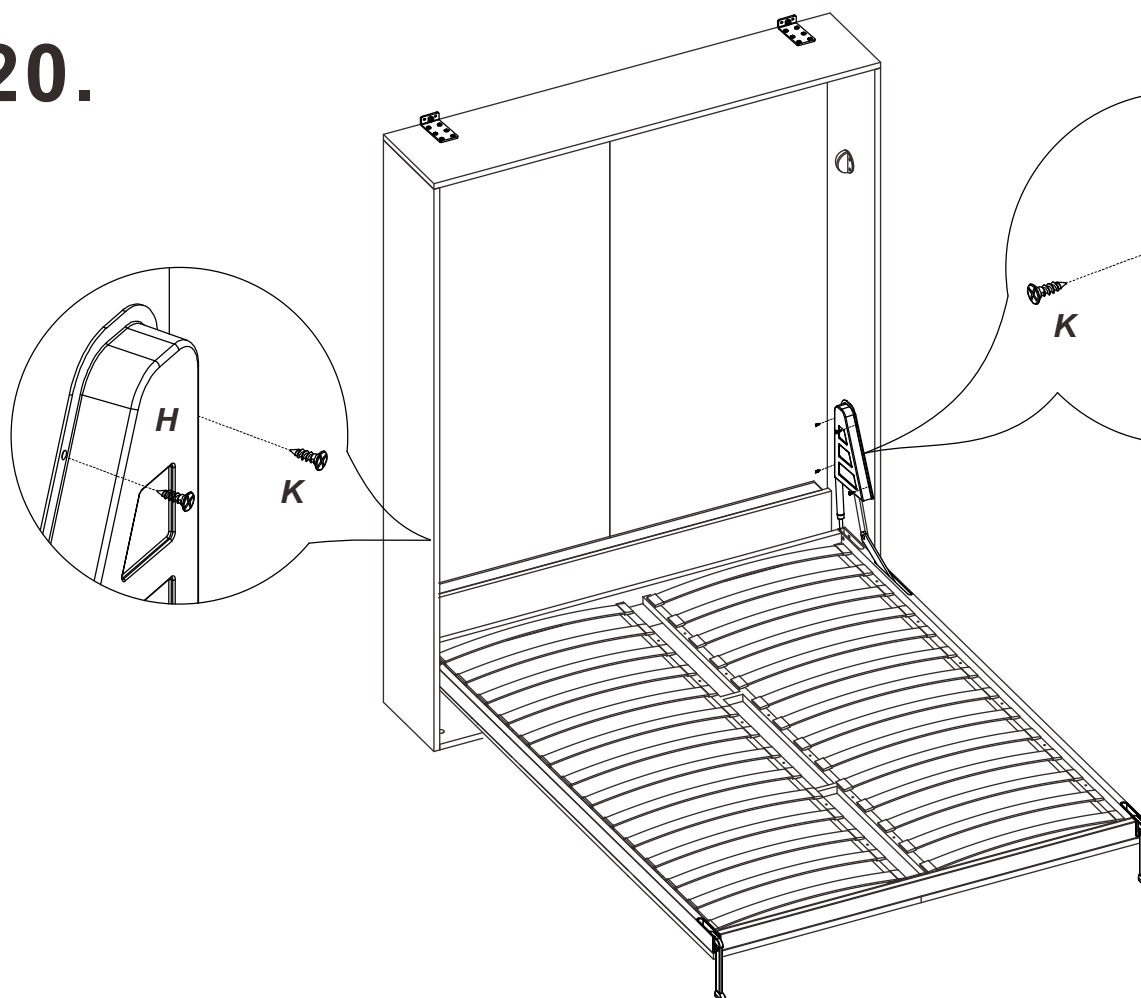


Gx32

M4*45

19.



20.



21.

