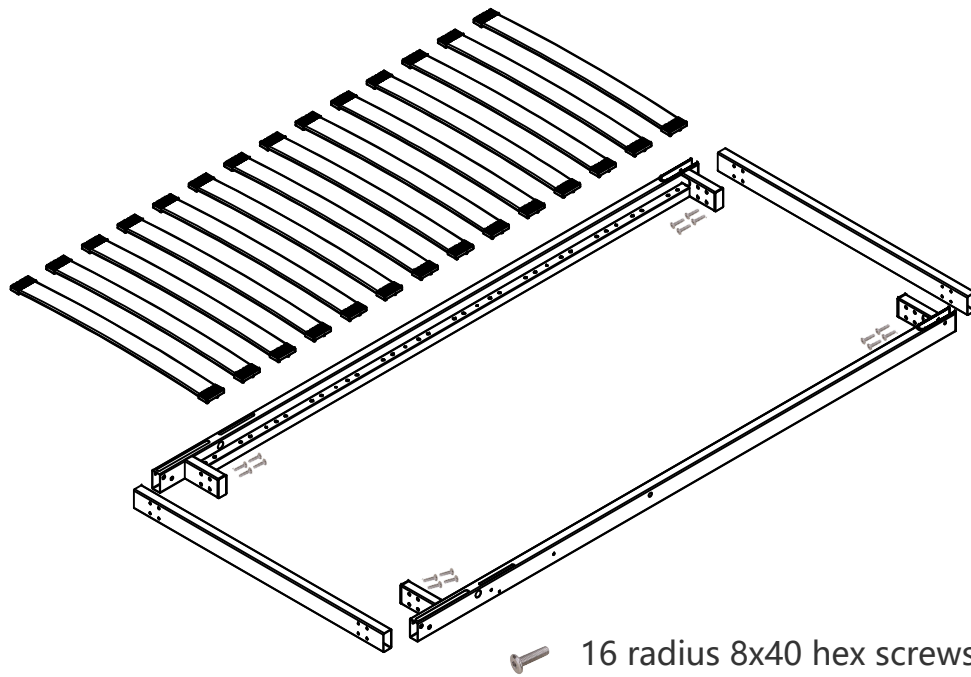
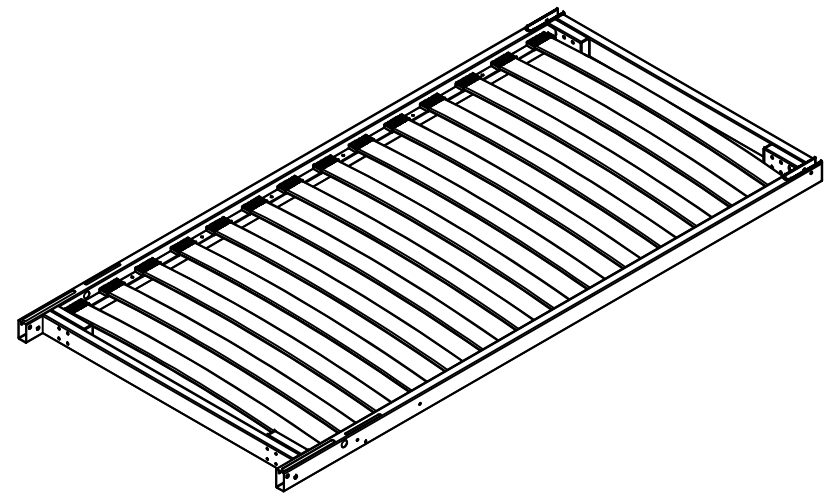
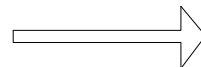


Invert0.9Assembly diagram

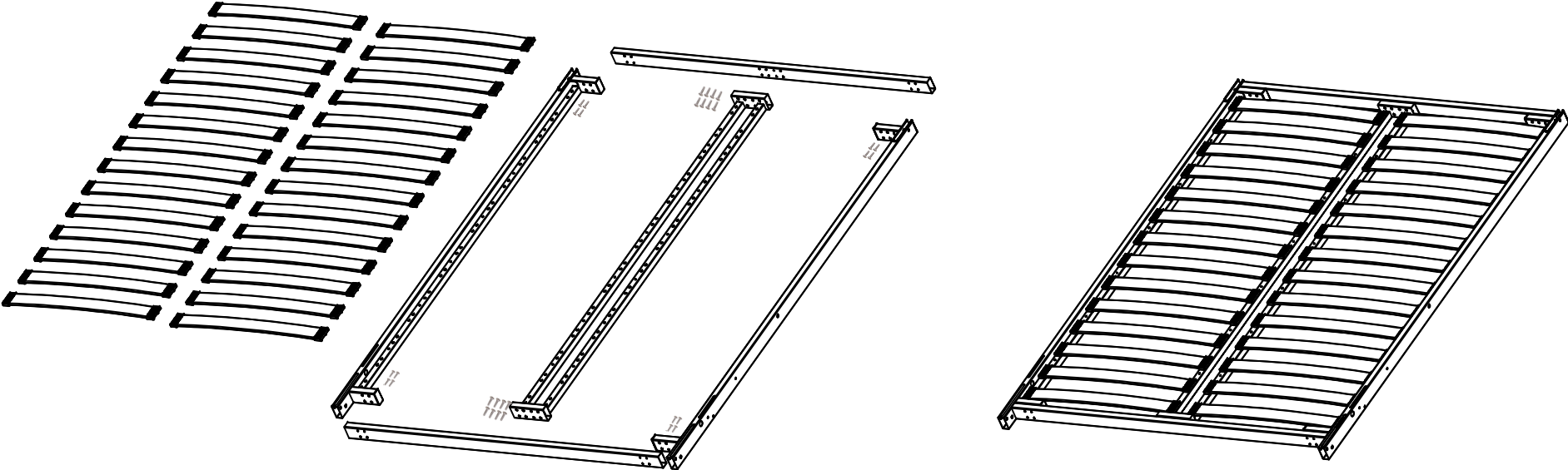


Explode State



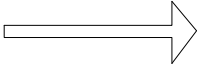
Combined State

Invert1.5Assembly diagram



 32 radius 8x40 hex screws

Explode State



Combined State

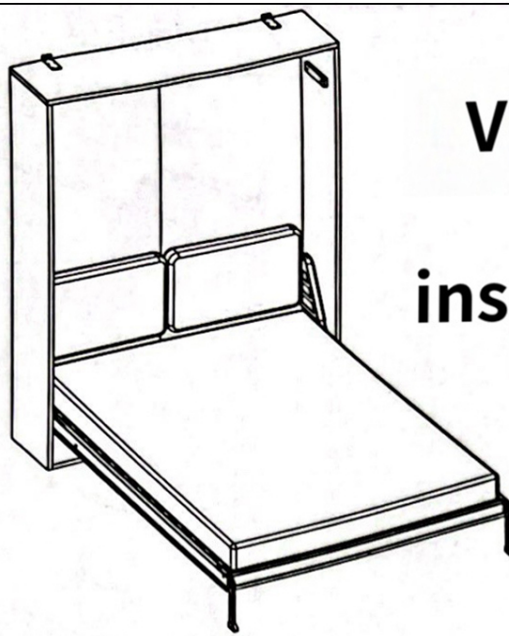
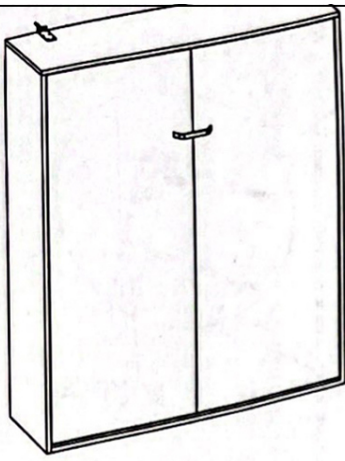
Note: (Welcome to use our fast-install stealth bed)

Please install in strict accordance with the order of installation, installation will be easy and simple, otherwise it will lead to difficult installation, and even cause unnecessary rework!

Our company has already installed many parts in the factory assembly production has been pre-installed on the bed frame, the installation master in the field installation, just remove the corresponding screws and put them back in their original position.

- Installation steps are as follows:**
- Step 1: Make a bed box according to the drawing size, remember to make a bed box according to the drawing size. If you need to change or add skirting, please communicate with our designers or customize the bed frame.**
- Step 2: Install the fixed plate, if you need to punch the site, first the edge of the punching paper template against the front of the flat bed box, the lower part of the bed box bottom plate, and then use a perforator to align holes;**
- Step 3: Twist the air rod into the air rod joint pre-installed on the bed frame, and install the bed headboard, the bed headboard must be done, then remove the screws and copper sleeve on the fixed plate, two people carry the bed frame for installation;**
- Step 4: Turn the bed frame into 90 degrees or slightly inward, first remove a few ribs, and then slightly rotate the bed frame. The air rod does not need to be compressed. Put the air rod into the fixed column by hand and lock the nut.**
- Step 5: Follow the assembly sequence of instructions to complete the installation of the back, especially to explain that all installation must be completed, in order to achieve the flipThe true cushioning effect of the bed, the weight and size of the mattress should be within the prescribed range, while the bed panel and mattress if not placed, the bed will automatically bounce back, put the mattress and panel can;**

Vertical flip basic installation diagram



part list

Long head of air rod

Short end of air rod

Long head down short head up (black) 2pcs
Short bar against wall Short bar facing down 2pcs
Short bar facing up (silver)

Note: Type 09 has only two black air rods.

100*50*25mm 2pcs

Explosion-proof screw 2pcs

M5*20mm 32pcs

M6*16mm 2pcs

M4*45mm

M4*16mm 8pcs

300*210*35mm 2pcs

2pcs

M6*35mm 8pcs

M8*25mm 2pcs

M8 2pcs

Note: 1. 2M, 1.5M, 1.8M 4 beds required

500*50*36mm 2pcs

Ø12*Ø10*11mm 2pcs

M10*35mm 2pcs

Screw package accessories

Note: 1. 2M, 1.5M, 1.8M need 4 each

Ø10*40mm 2pcs

3*20mm 2pcs

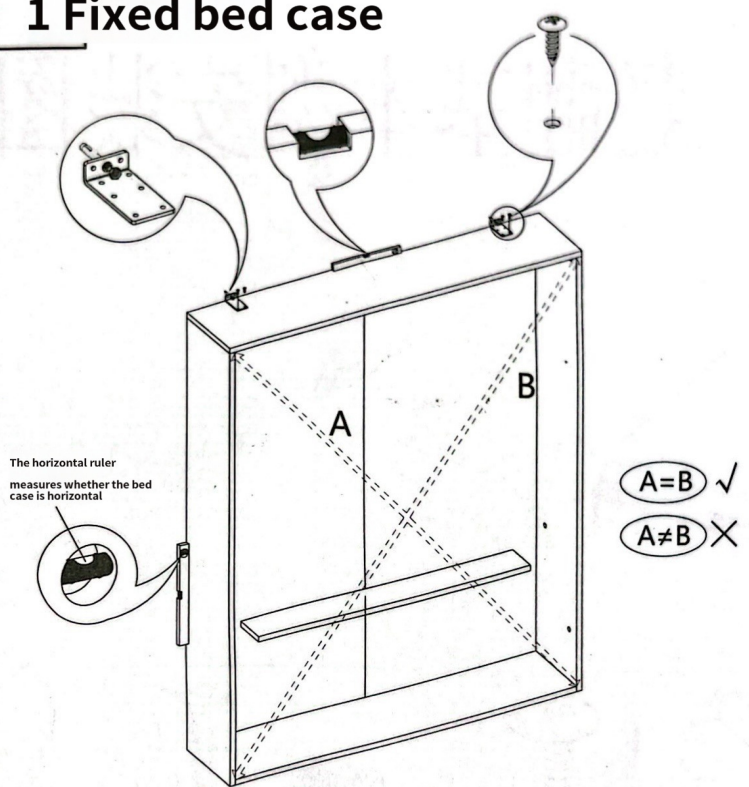
38*1900mm 1pc

1pcs

tooling

Factory installed in the corresponding location, can be used directly

1 Fixed bed case

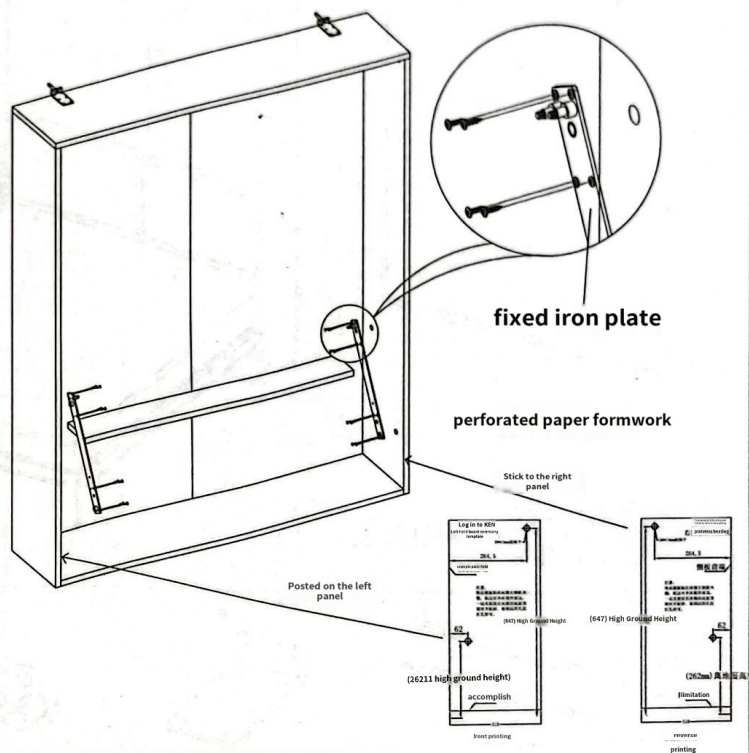


A=B ✓
A≠B ✗

1. Fix the L-shaped corner code on the top of the bed case with self-tapping.
2. Check the diagonal of the bed box is consistent (the horizontal ruler needs to be brought, A=B to carry out the next installation)
3. Secure the cabinet to the wall with an expansion screw through the corner code. (Please lock the screws to prevent loosening, so as not to cause safety risks)

100*50*25mm	M5*20	M8*80
2PCS	16PCS	2PCS

2 sets of fixed plate

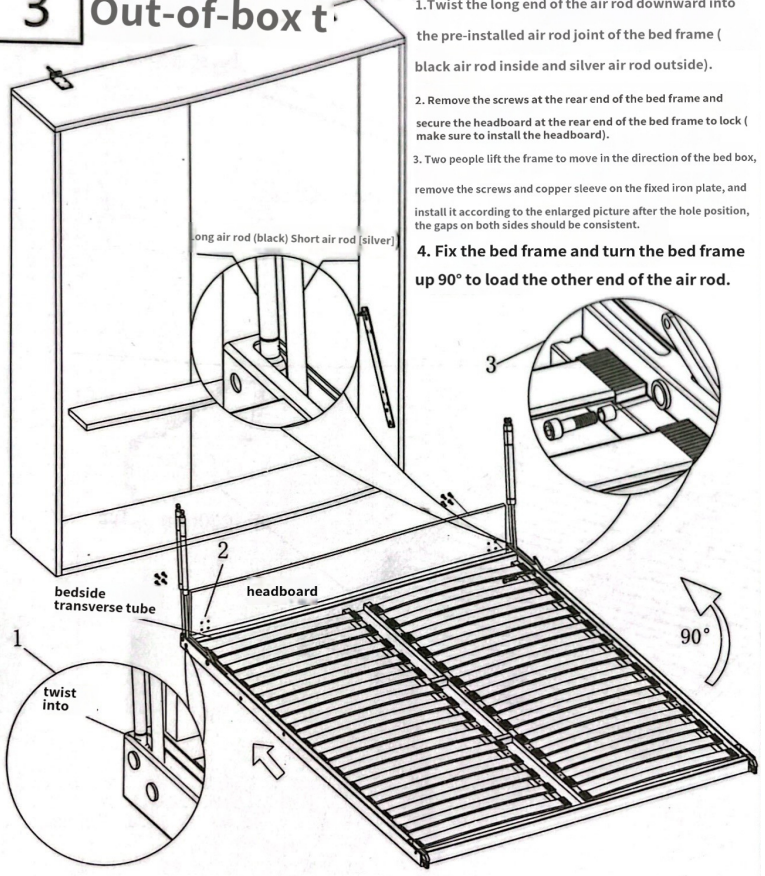


1. Install the fixed iron plate in the direction shown in the magnification picture corresponding to the holes in the board.
- 2, the fixed iron plate corresponding to the pre-installed screw accessories removed, installation corresponding to twist into the screw pattern.
3. For on-site drilling, first place the edge of the punching paper template against the front of the flat bed box, the bottom of the bed box on the top surface, and then use a perforator to align the hole position and make a hole.

M5*20	500*50*36mm
16PCS	2PCS

fixed iron plate return

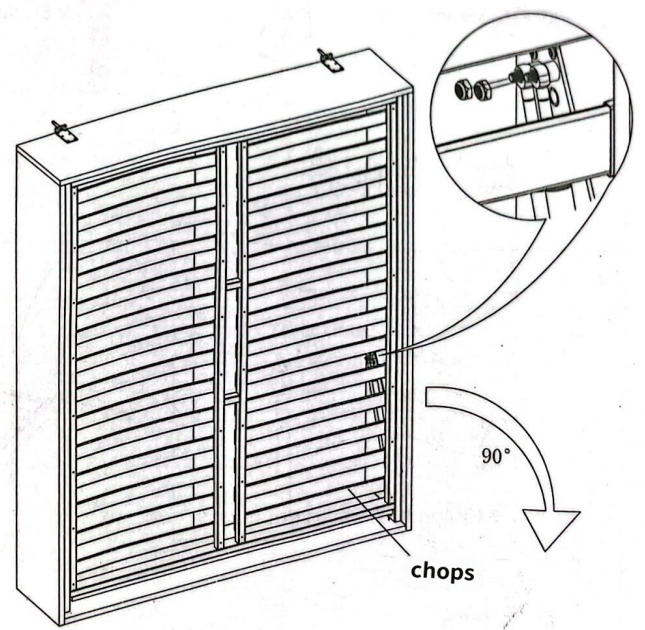
3 Out-of-box t



1. Twist the long end of the air rod downward into the pre-installed air rod joint of the bed frame (black air rod inside and silver air rod outside).
2. Remove the screws at the rear end of the bed frame and secure the headboard at the rear end of the bed frame to lock (make sure to install the headboard).
3. Two people lift the frame to move in the direction of the bed box, remove the screws and copper sleeve on the fixed iron plate, and install it according to the enlarged picture after the hole position, the gaps on both sides should be consistent.
4. Fix the bed frame and turn the bed frame up 90° to load the other end of the air rod.

M6*35	M10*35	2*2*0*11mm
8PCS	2PCS	2PCS

4 Installation of air rod



1. After reversing, install the other end of the air rod on the corresponding stud on the iron plate as shown. In the process, the bed frame can be turned back and forth slightly so that the air rod can be put into the stud, and then the nut can be locked. (Note: Air rod does not need to be compressed. When installing, you can remove a few ribs first, and then put them back)
2. After the air rod is installed, the bed frame can be turned up and down to see if the solid wall is strong.

M8
4PCS

5 sets of interlocking feet

1, the linkage pull bar according to the hole position shown in the screw can be.

2, according to the punching diagram size of the wooden bar.

3. Insert the plastic end part of the bed foot as shown in the enlarged picture, align the hole position, and screw it.

4, this step requires two people to cooperate with the installation, one person pressed the bed frame not to pop up, the other person is responsible for the installation.

The person in charge of holding down the bed frame must not walk away when another person installs it. lest the bed frame bounce up and get caught.

2 Wooden Stalls

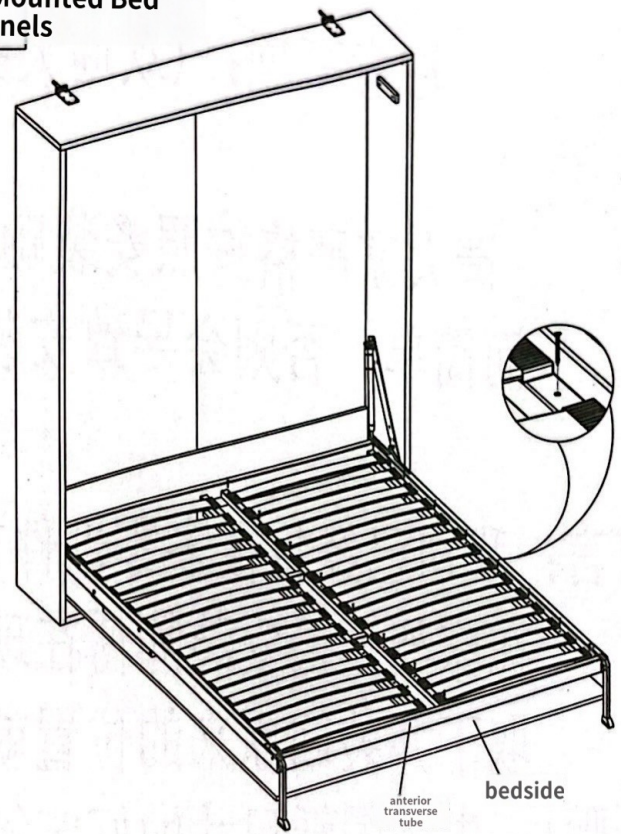
1 linkage pull rod

M6*16mm
2PCS

M8*25
2PCS

M4*45
6PCS

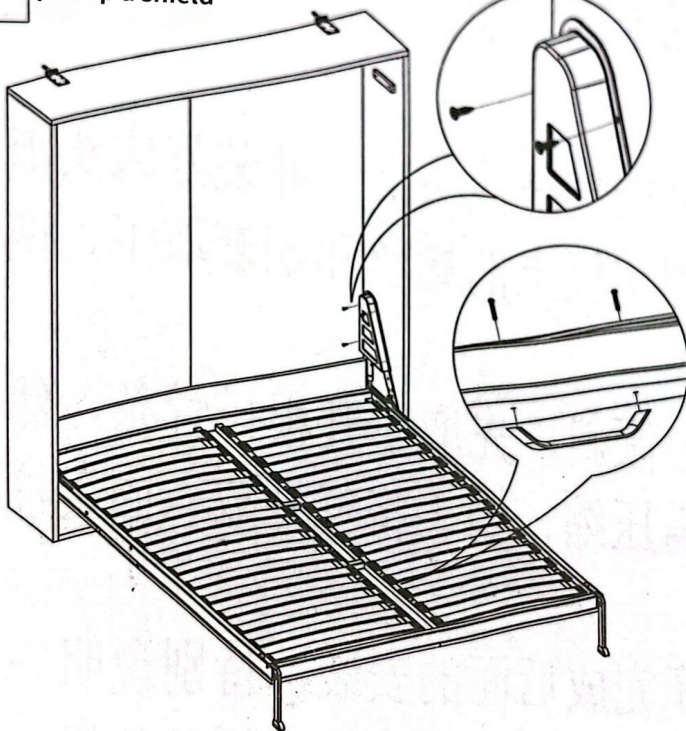
6 Mounted Bed Panels



1. The front end of the bed panel aligns with the front end of the bed frame, the side panel exceeds the bed frame 6mm, and when installing the panel, the mattress and waste paper under the bed panel are flat. If there is no problem, turn the bed over and lock the screws on the other side of the bed frame.

M4*45
32PCS

7 put up a shield



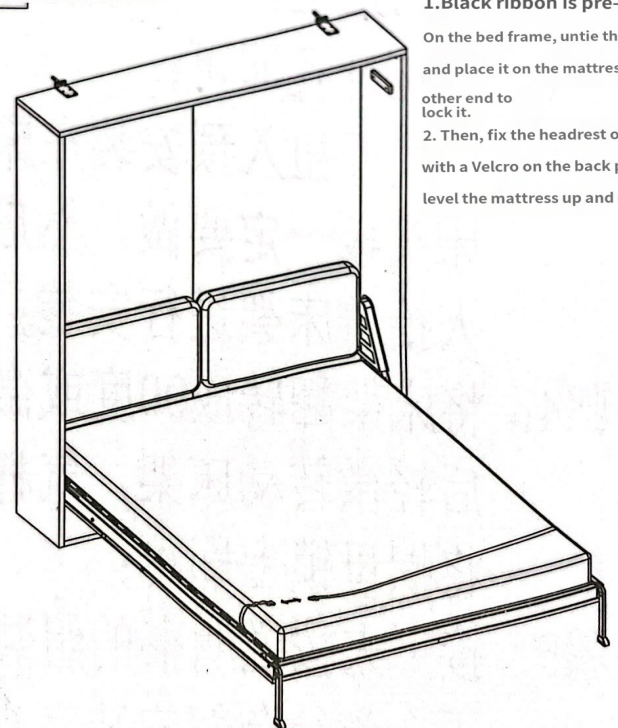
1, as shown in the picture, put the shield in place, with self-tapping screws on both sides of the bed can be.

2, this step requires two people to install, one responsible for pressing the bed frame do not bounce up, the other responsible for installation. lest the bed frame bounce and get caught.

Note: Handles need to be self-contained, and holes are reserved on the bed frame.

M4*16
8PCS

8 Packed mattresses



1. Black ribbon is pre-installed. On the bed frame, untie the button and place it on the mattress. Pull the other end to lock it.
2. Then, fix the headrest of the bed with a Velcro on the back panel, and level the mattress up and down.

The installation is complete and can be used normally.

38*2100mm
1PC