

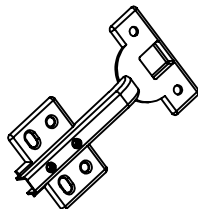
Ax36

Bx36

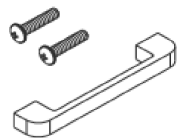
Cx8

Dx48

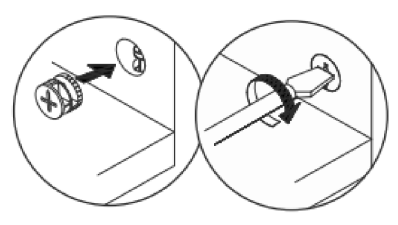
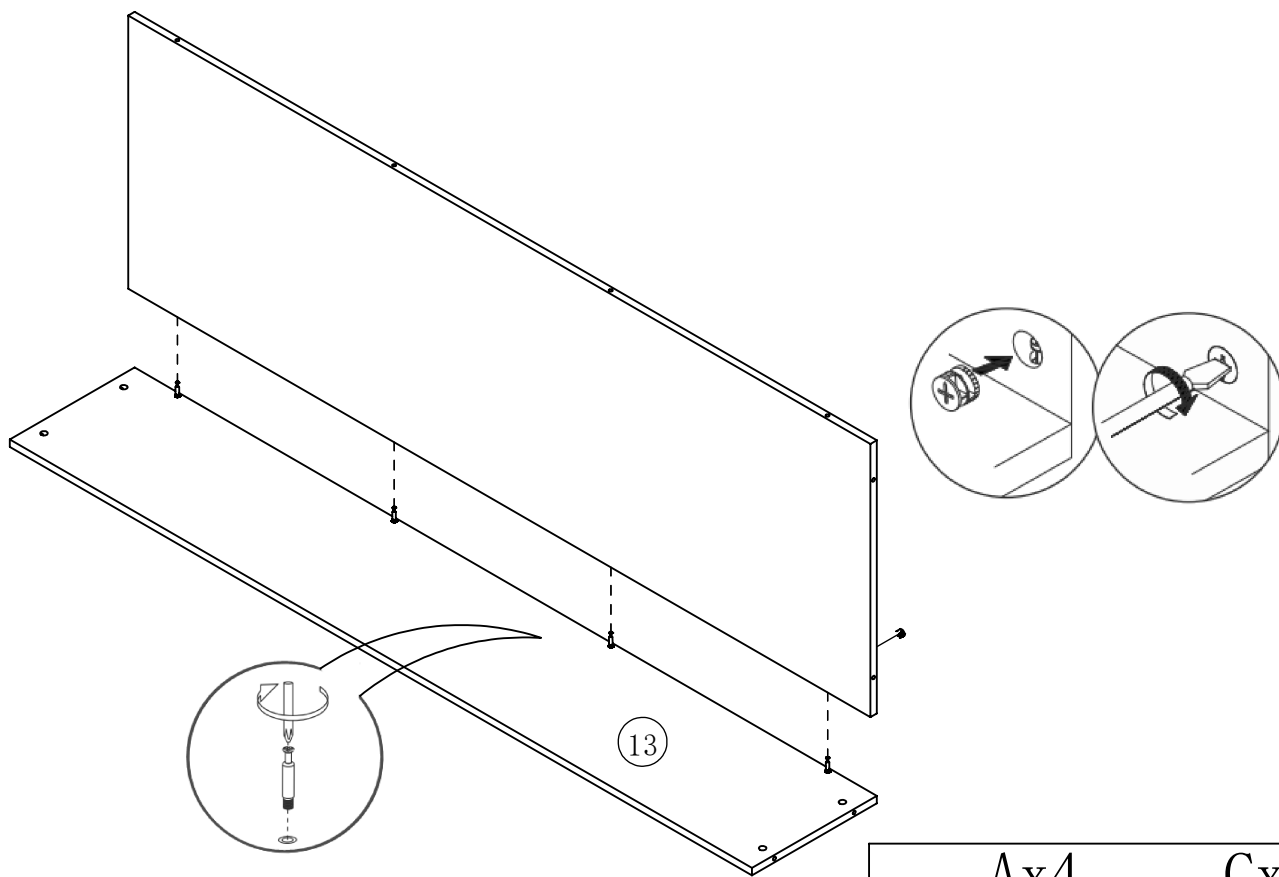
Ex4



M4*16



1.

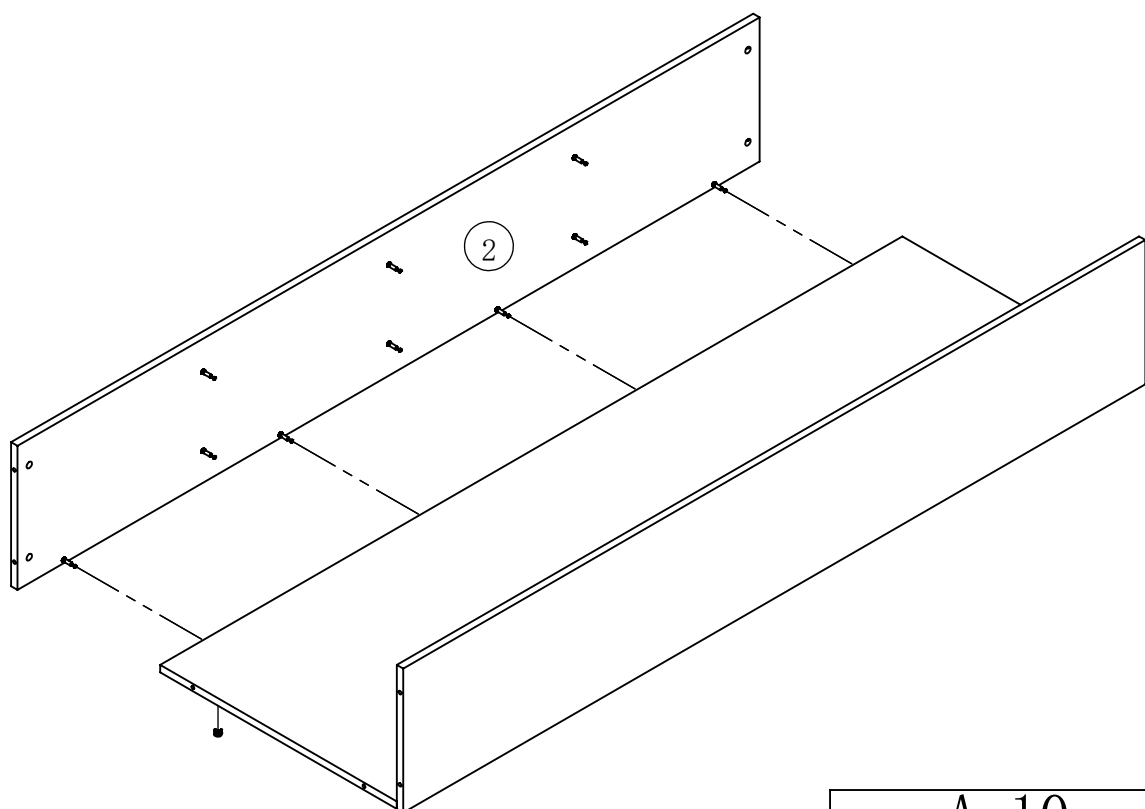


Ax4

Cx4



2.

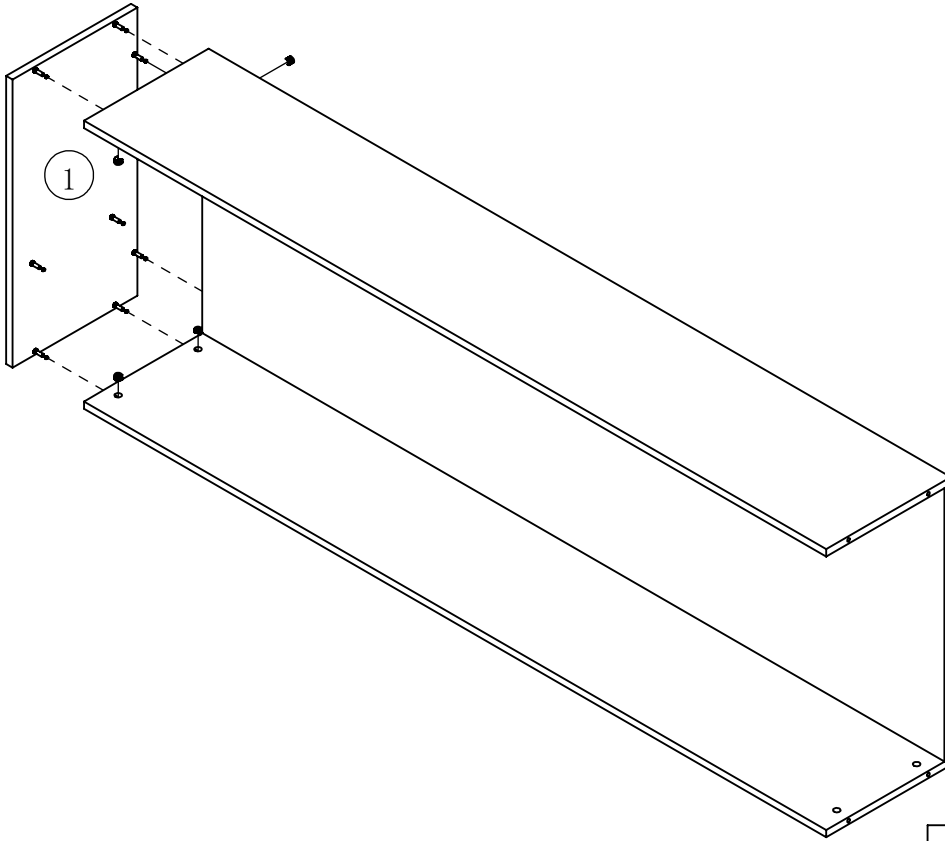


Ax10

Bx4



3.

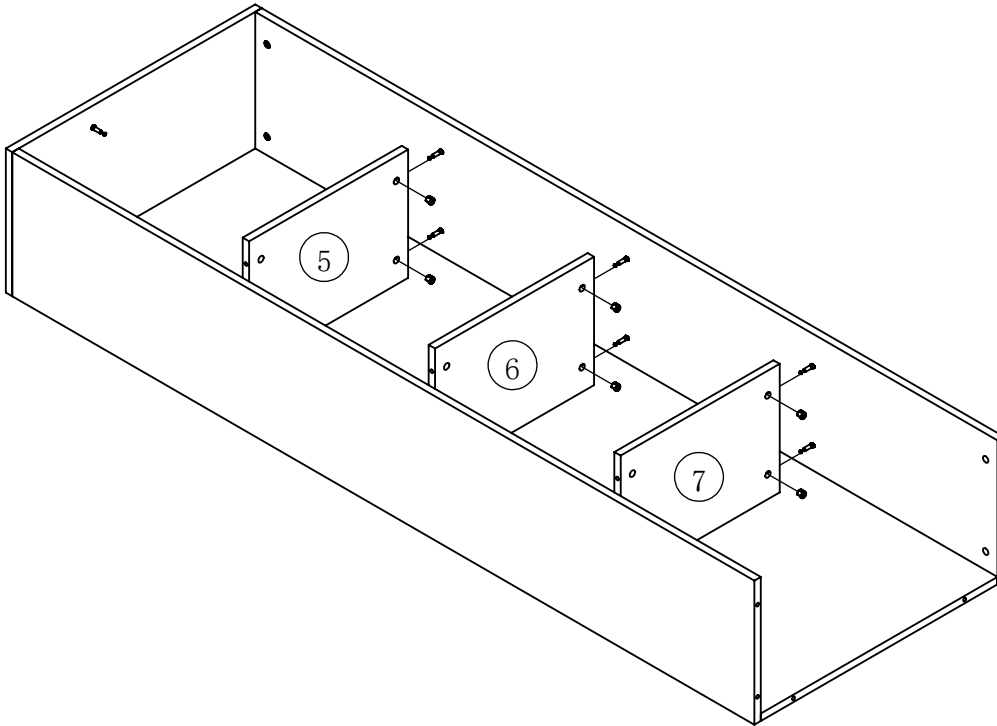


Ax8

Bx6



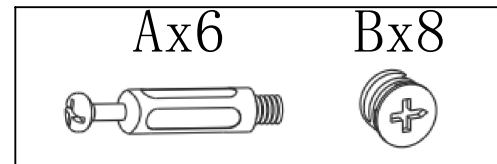
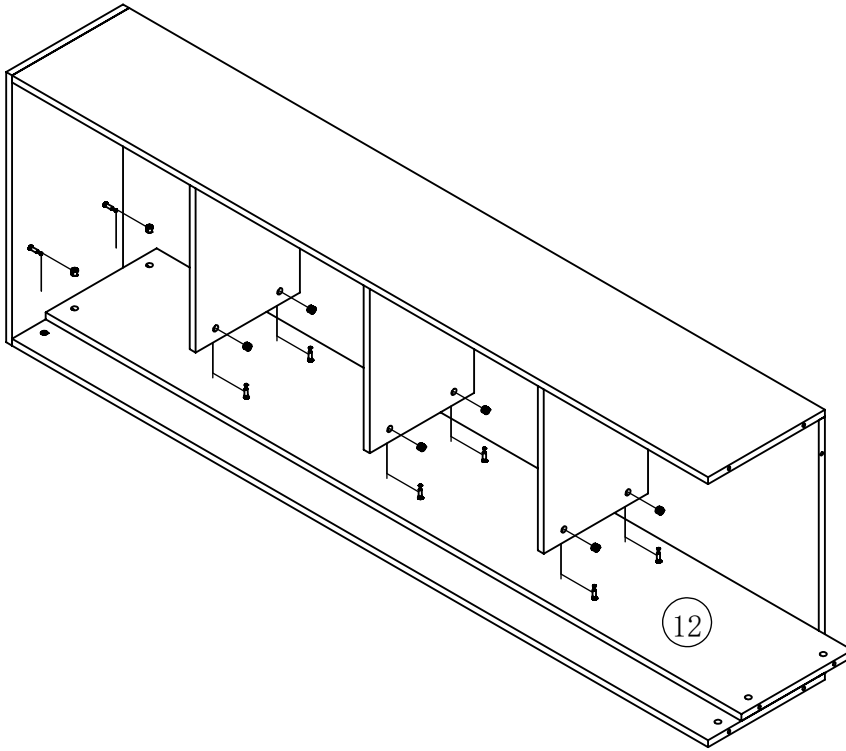
4.



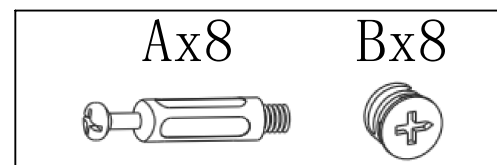
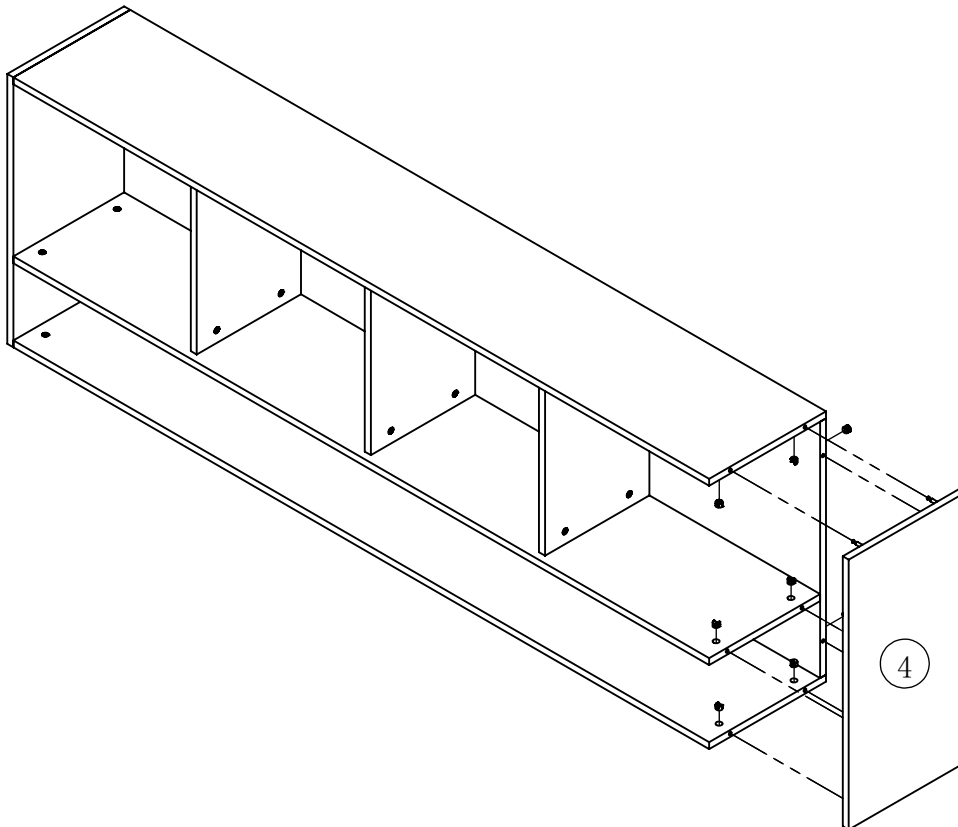
Bx6



5.

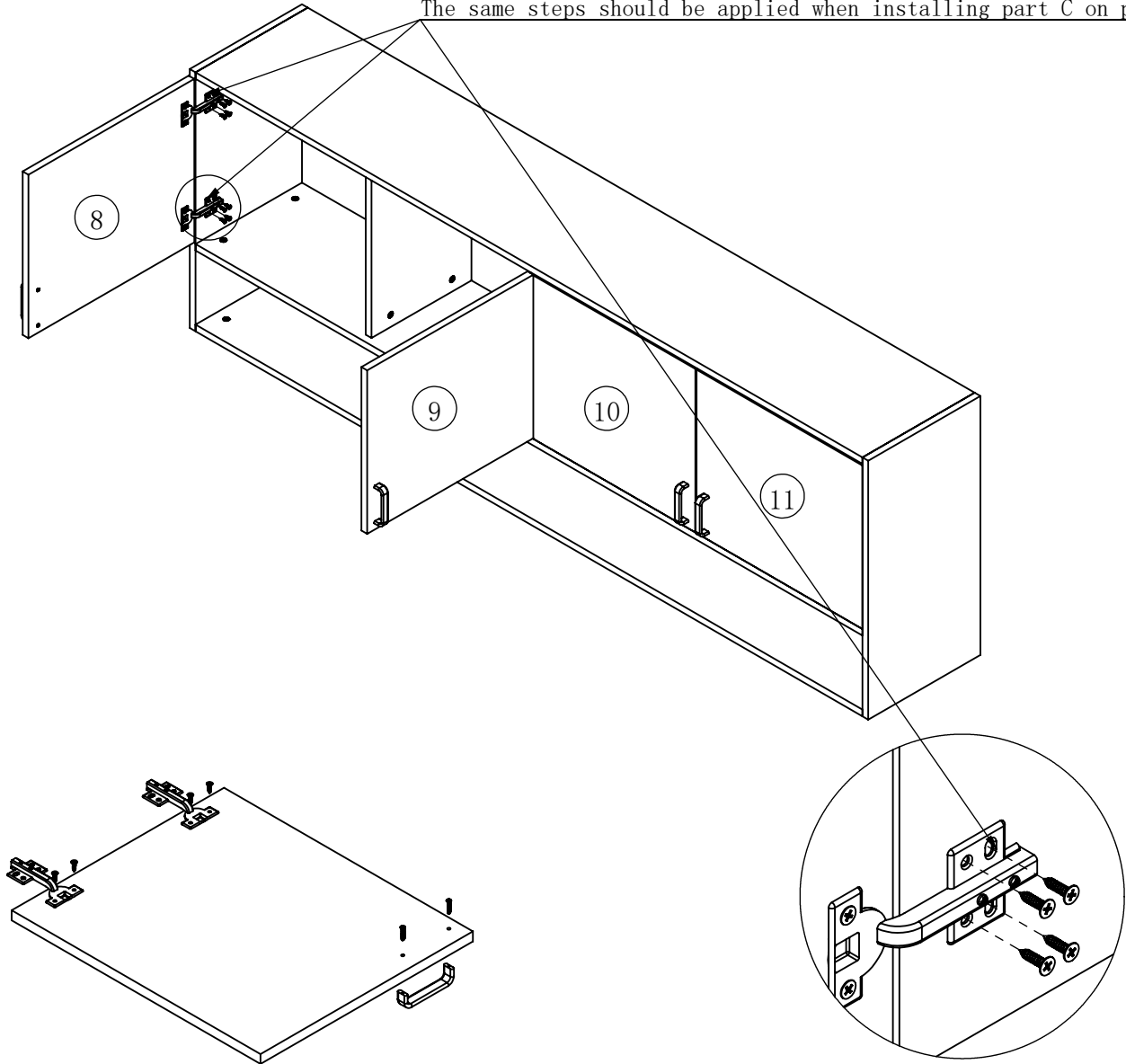


6.



7.

Please install the screws for the oval-shaped holes before installing the screws for the round holes.
The same steps should be applied when installing part C on panels 8-11.



Panels 8-11: please check the position of holes.
Panels 8 & 10 - Left side. Panels 9&11 - Right side.

Please repeat for the other side.

