

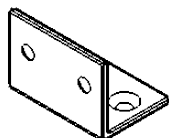
Ax44



Bx44



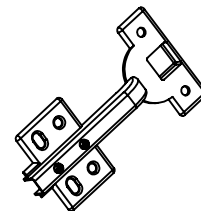
Cx2



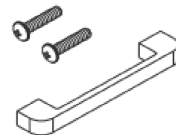
Dx42



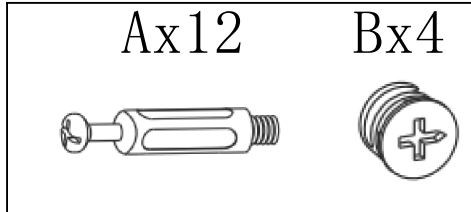
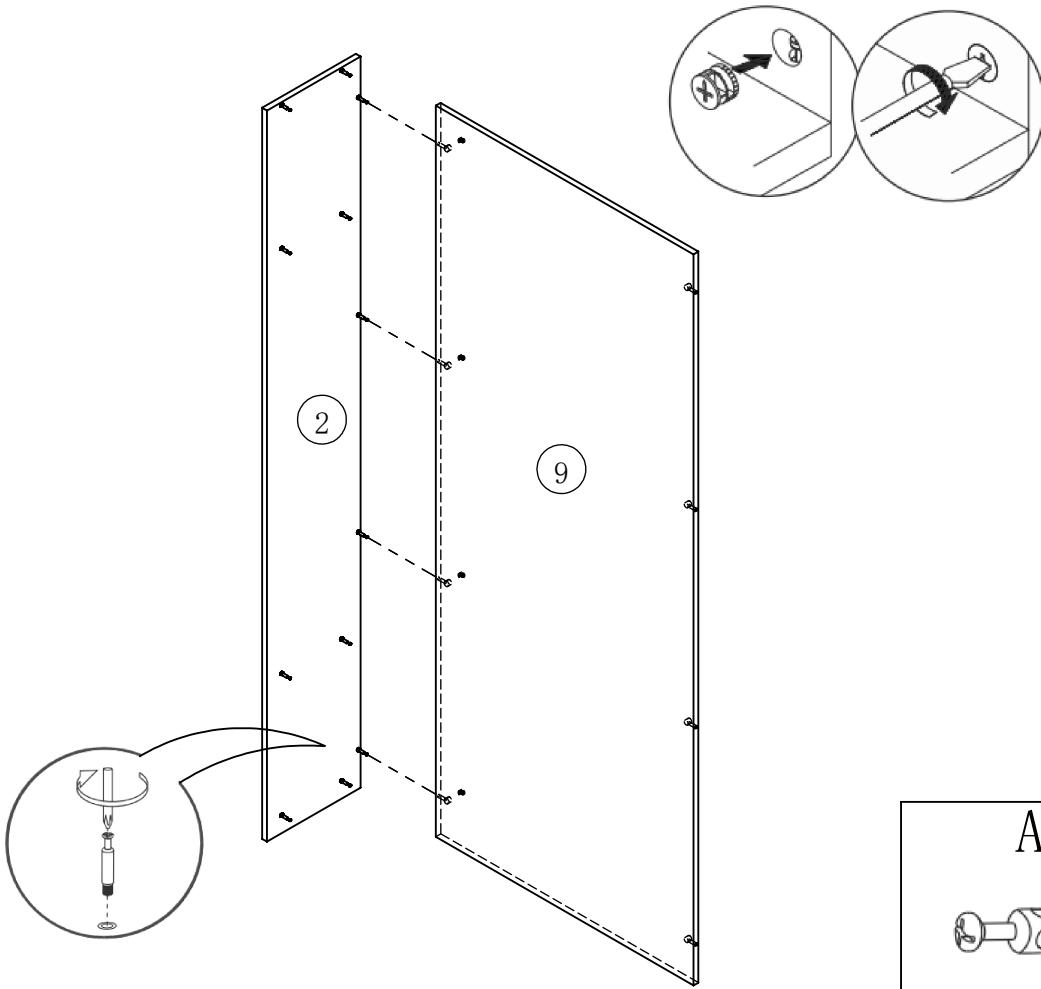
Ex7



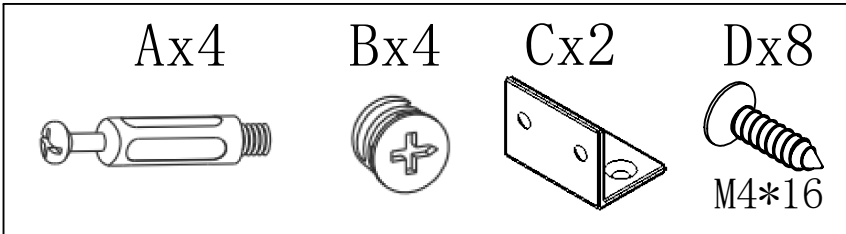
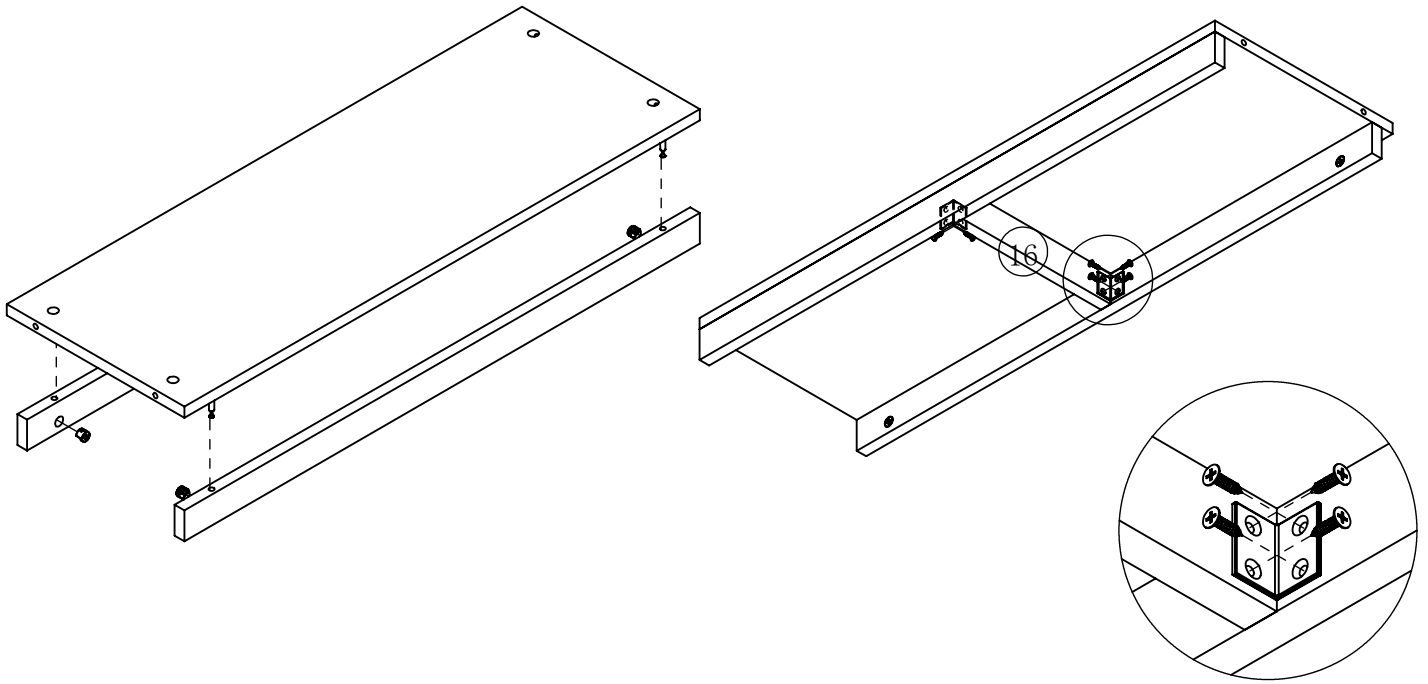
Fx3



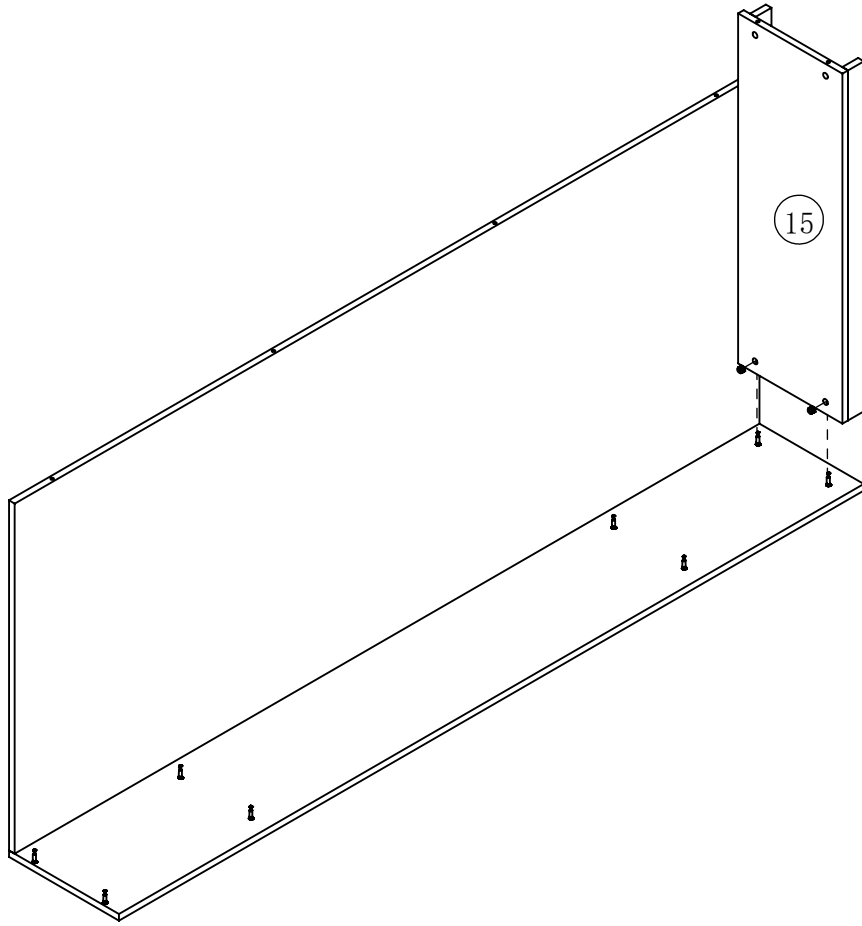
1.



2.



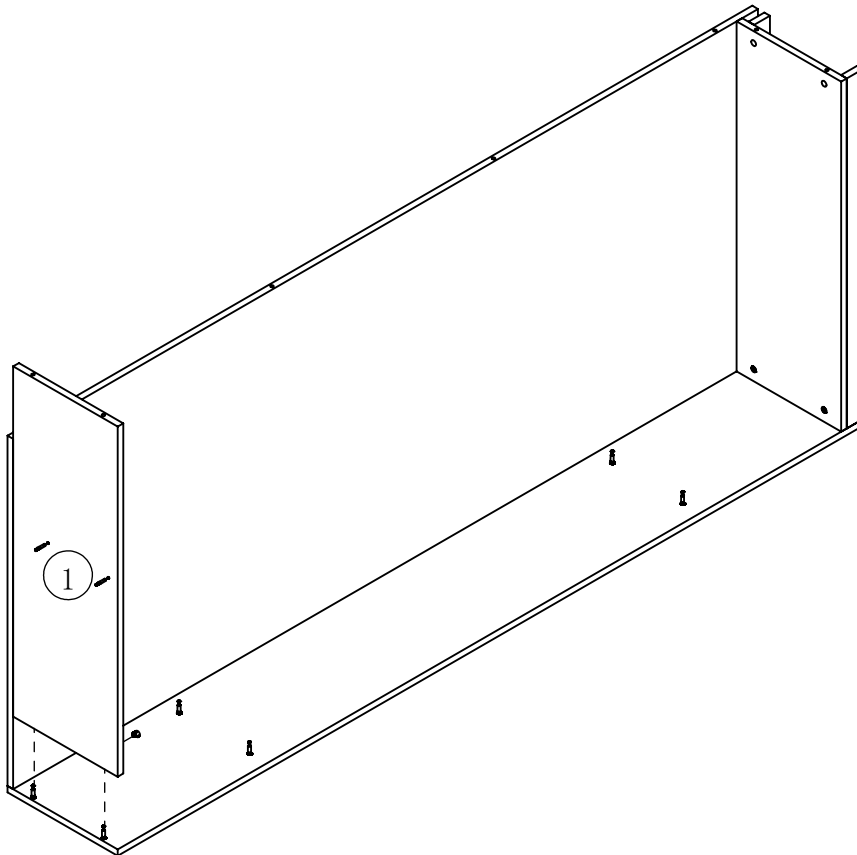
3.



Bx2



4.

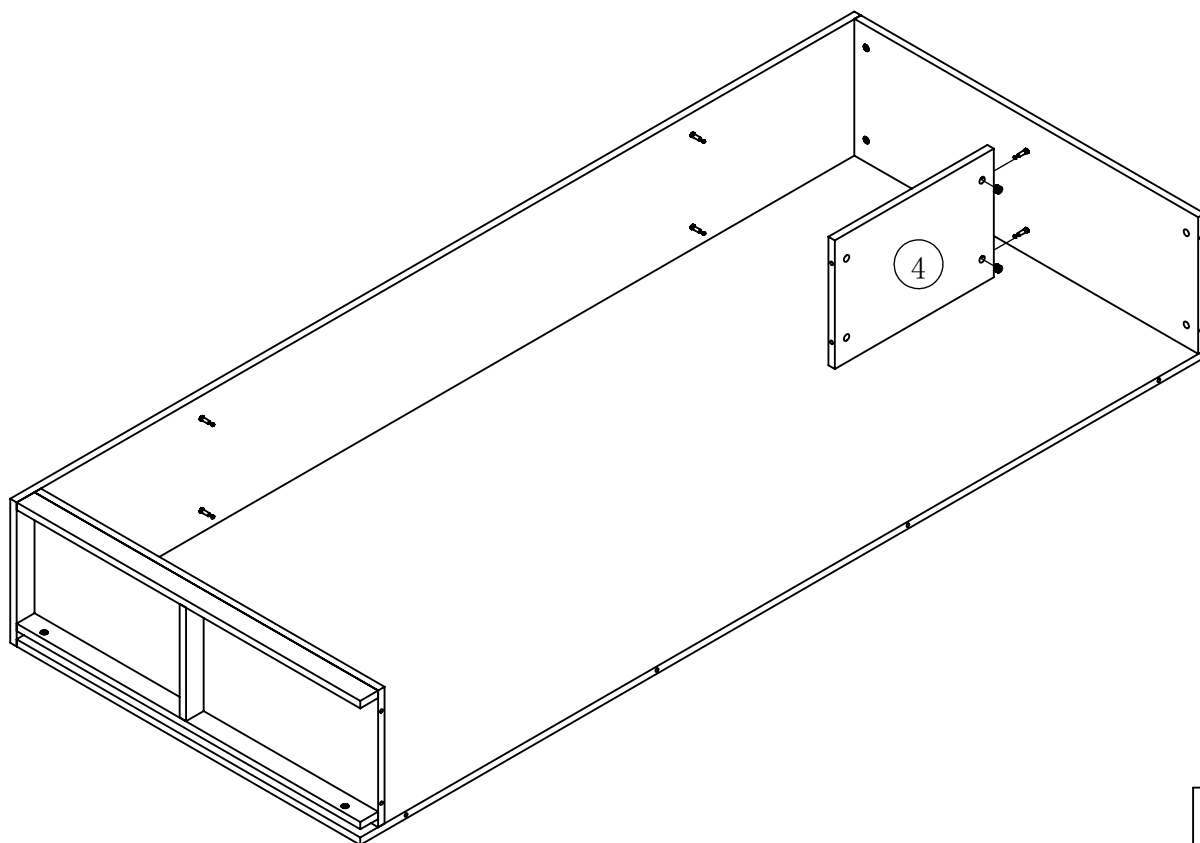


Ax2

Bx2



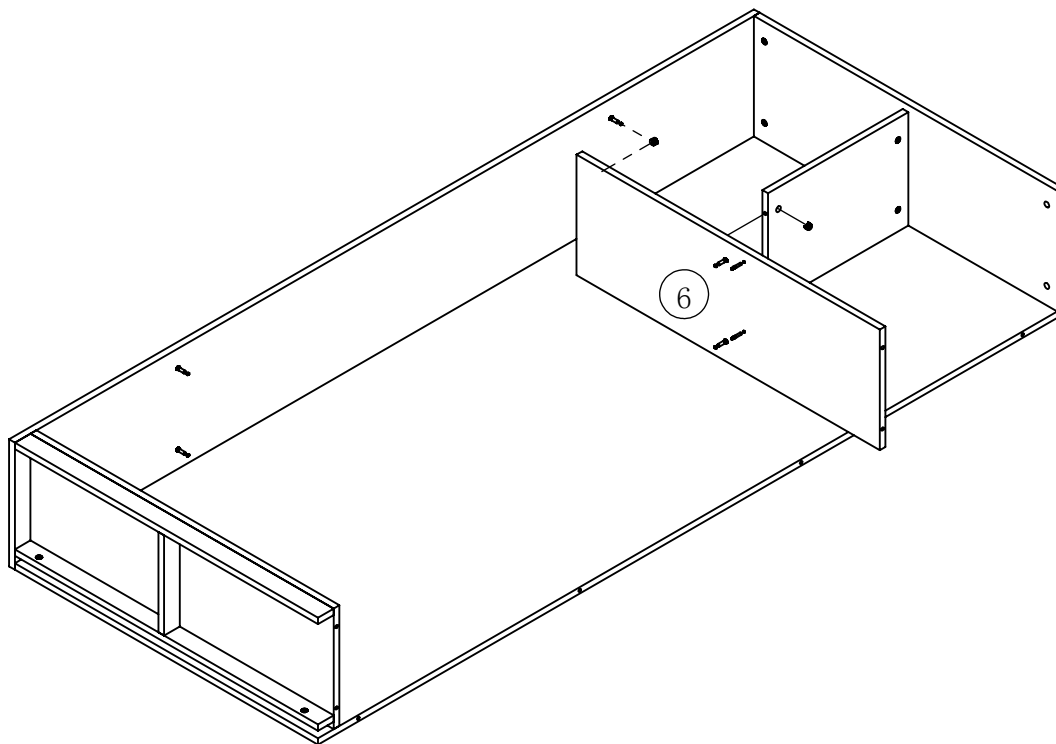
5.



Bx2



6.



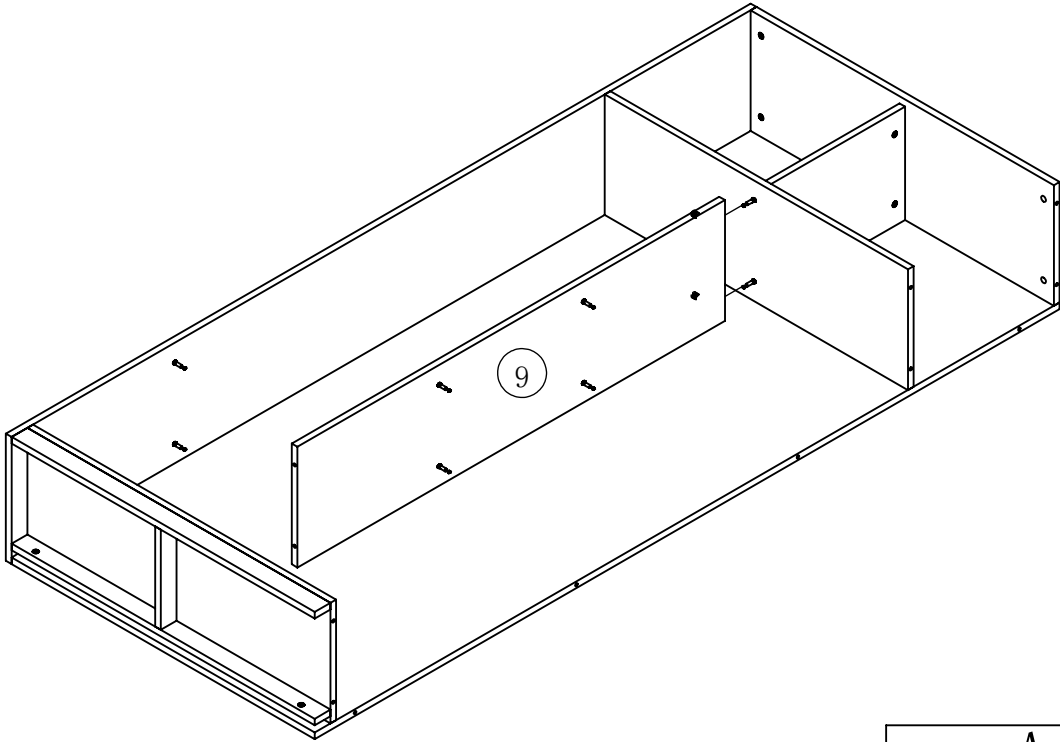
Ax4



Bx4



7.

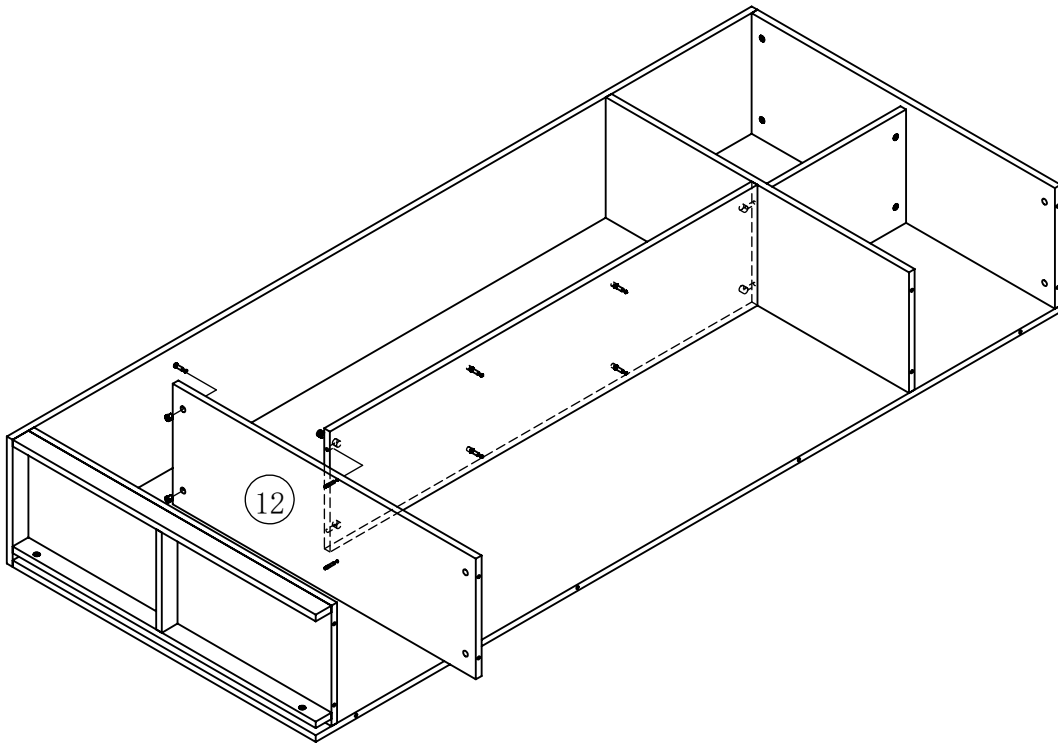


Ax4

Bx2



8.

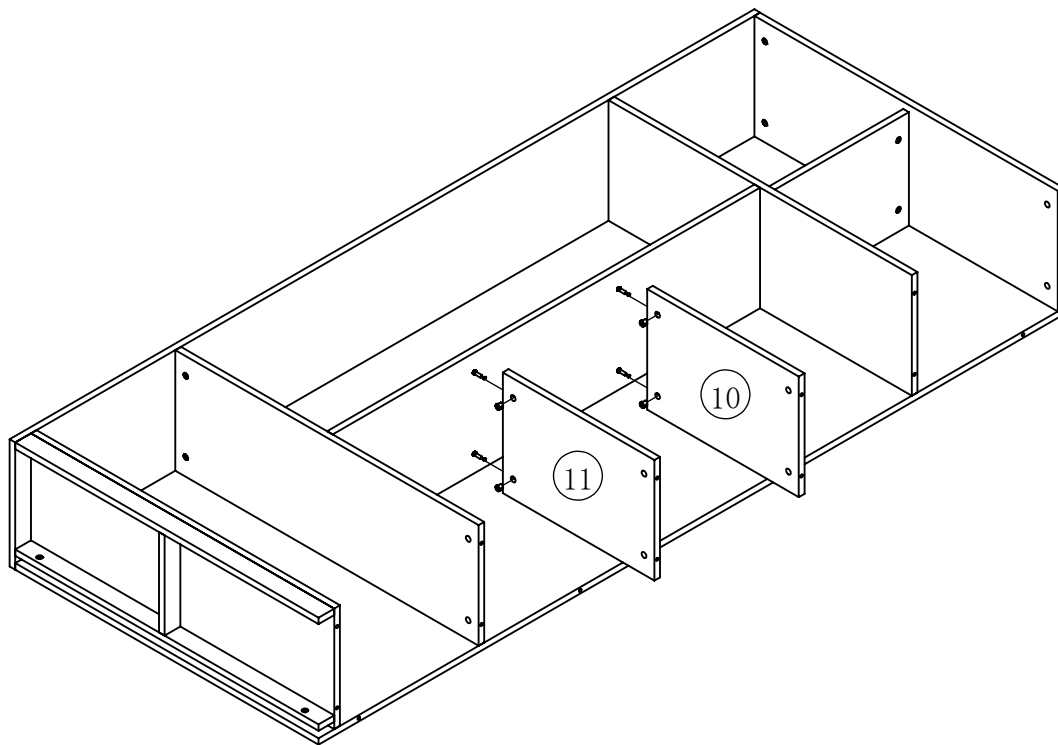


Ax2

Bx4



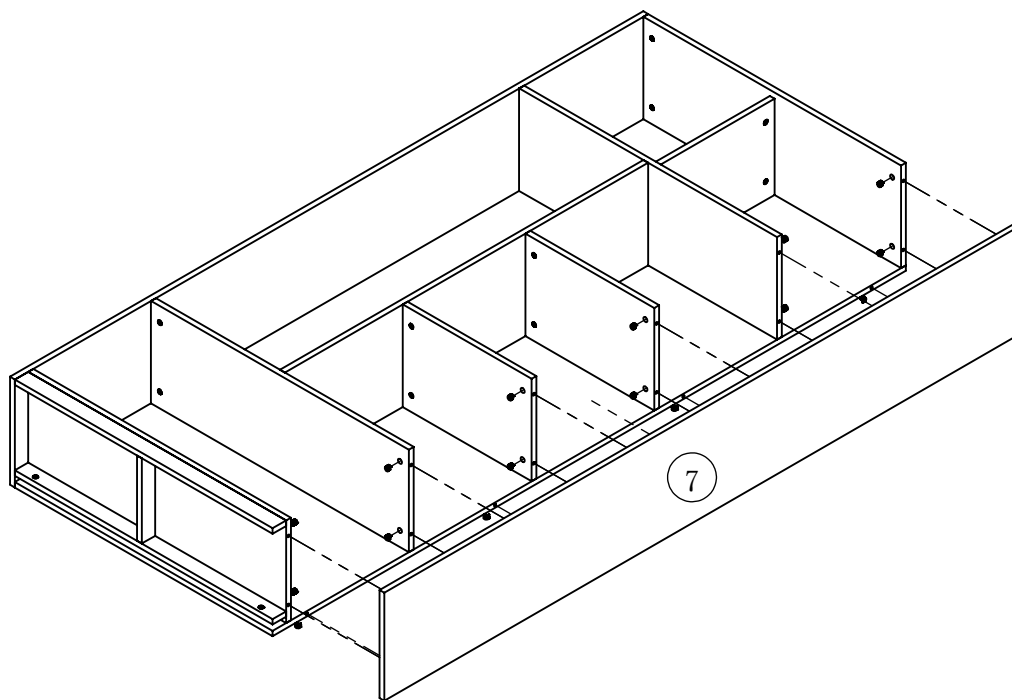
9.



Bx4



10.

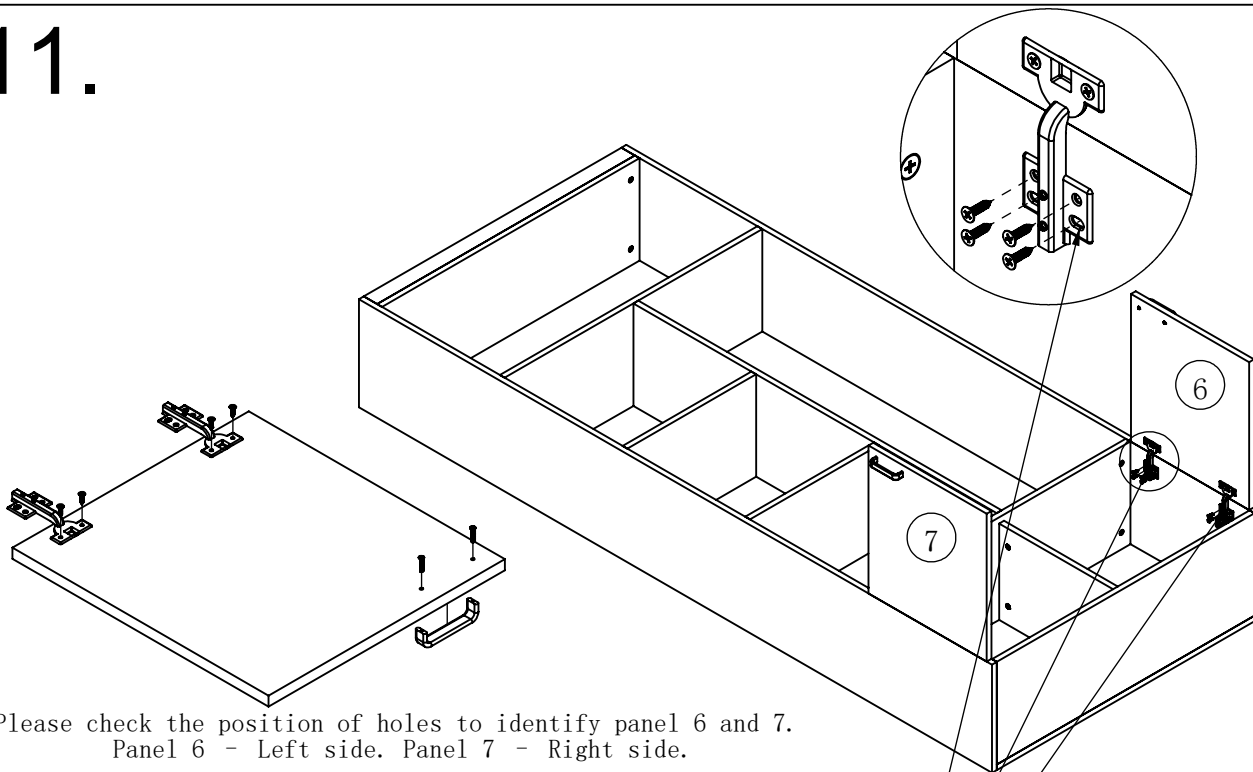


Ax16

Bx16

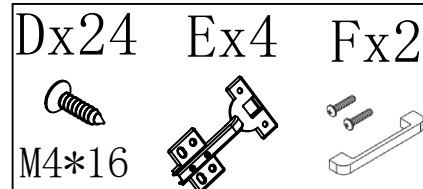


11.

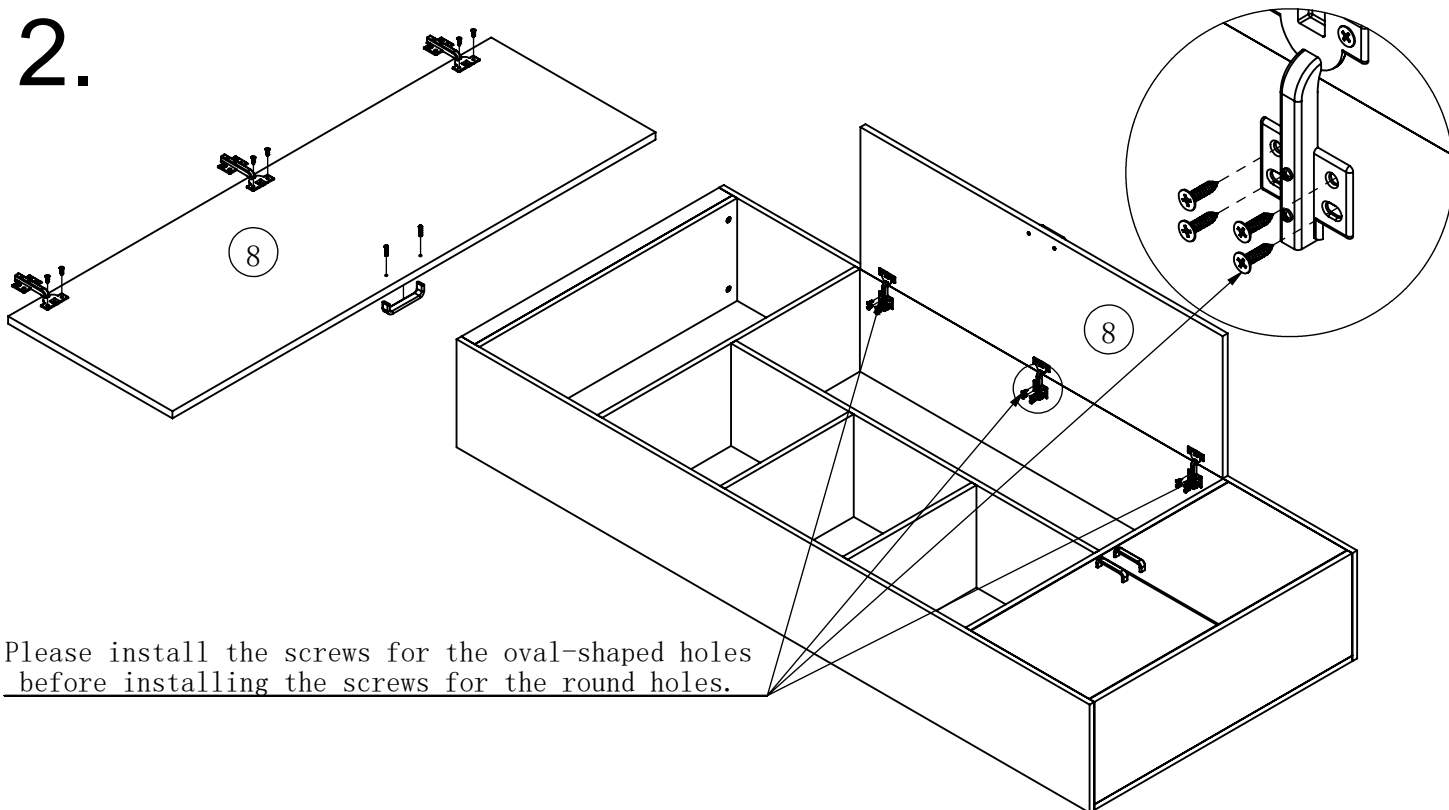


Please check the position of holes to identify panel 6 and 7.
Panel 6 - Left side. Panel 7 - Right side.

Please install the screws for the oval-shaped holes
before installing the screws for the round holes.
The same steps should be applied when
installing part C on panels 6-7.



12.



Please install the screws for the oval-shaped holes
before installing the screws for the round holes.

