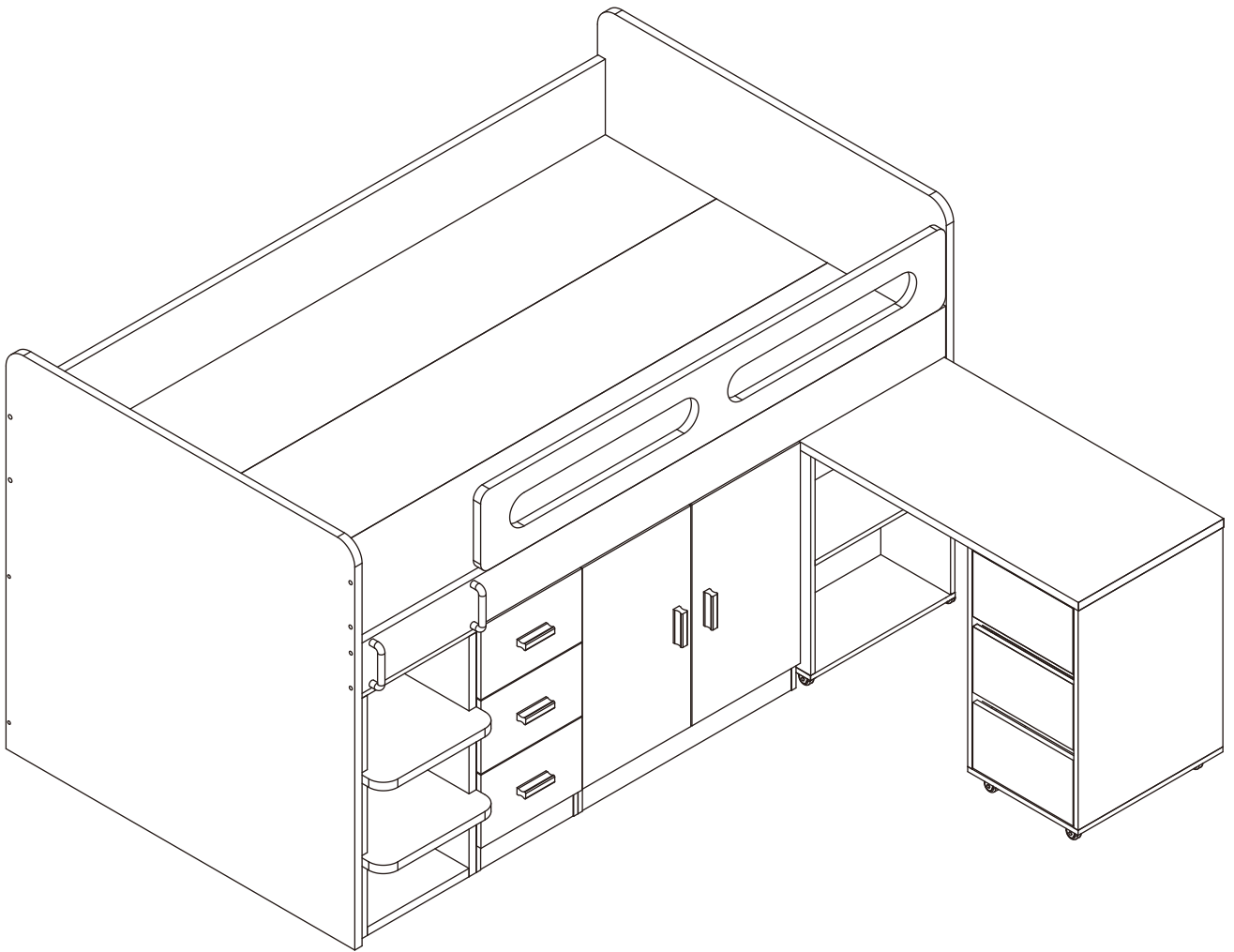
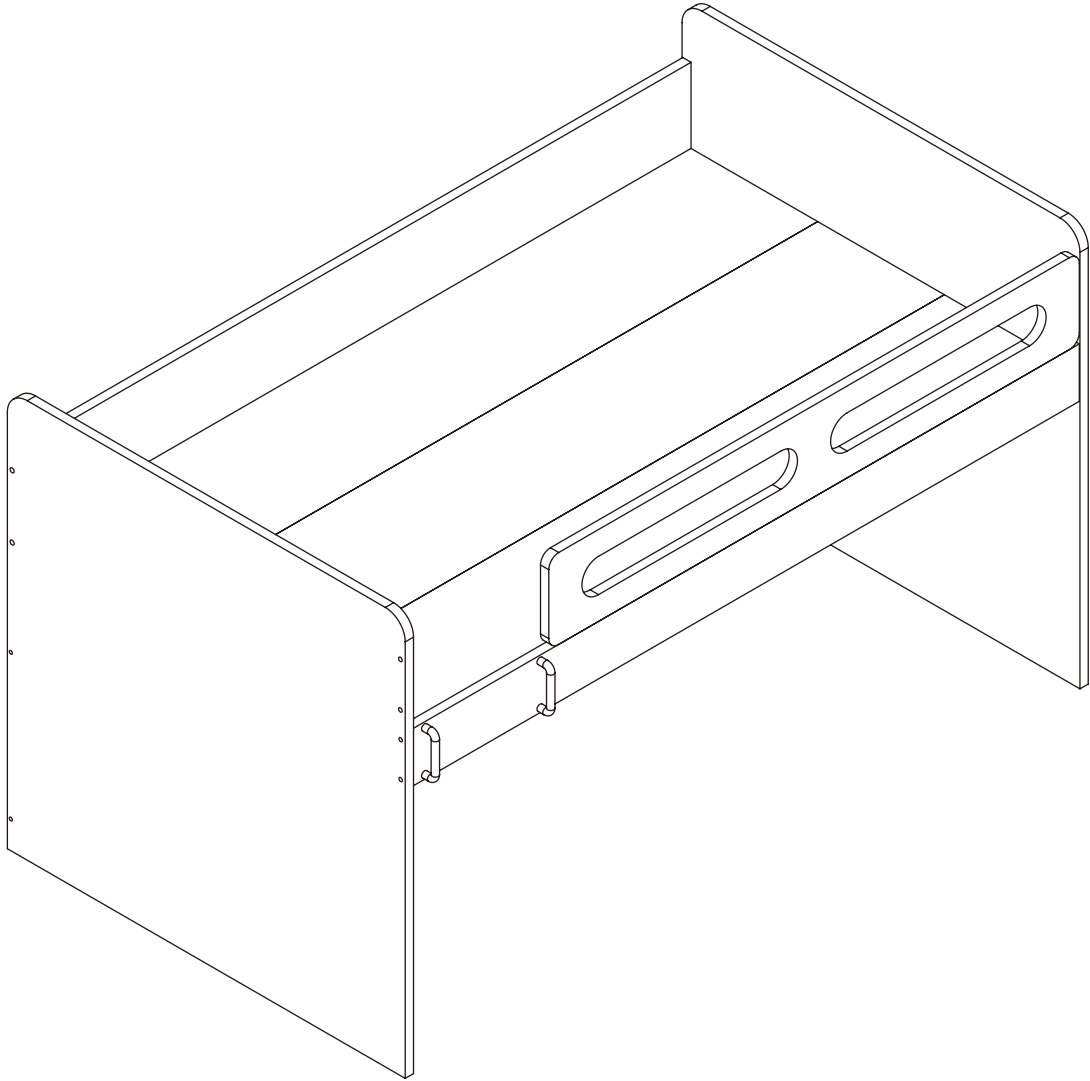
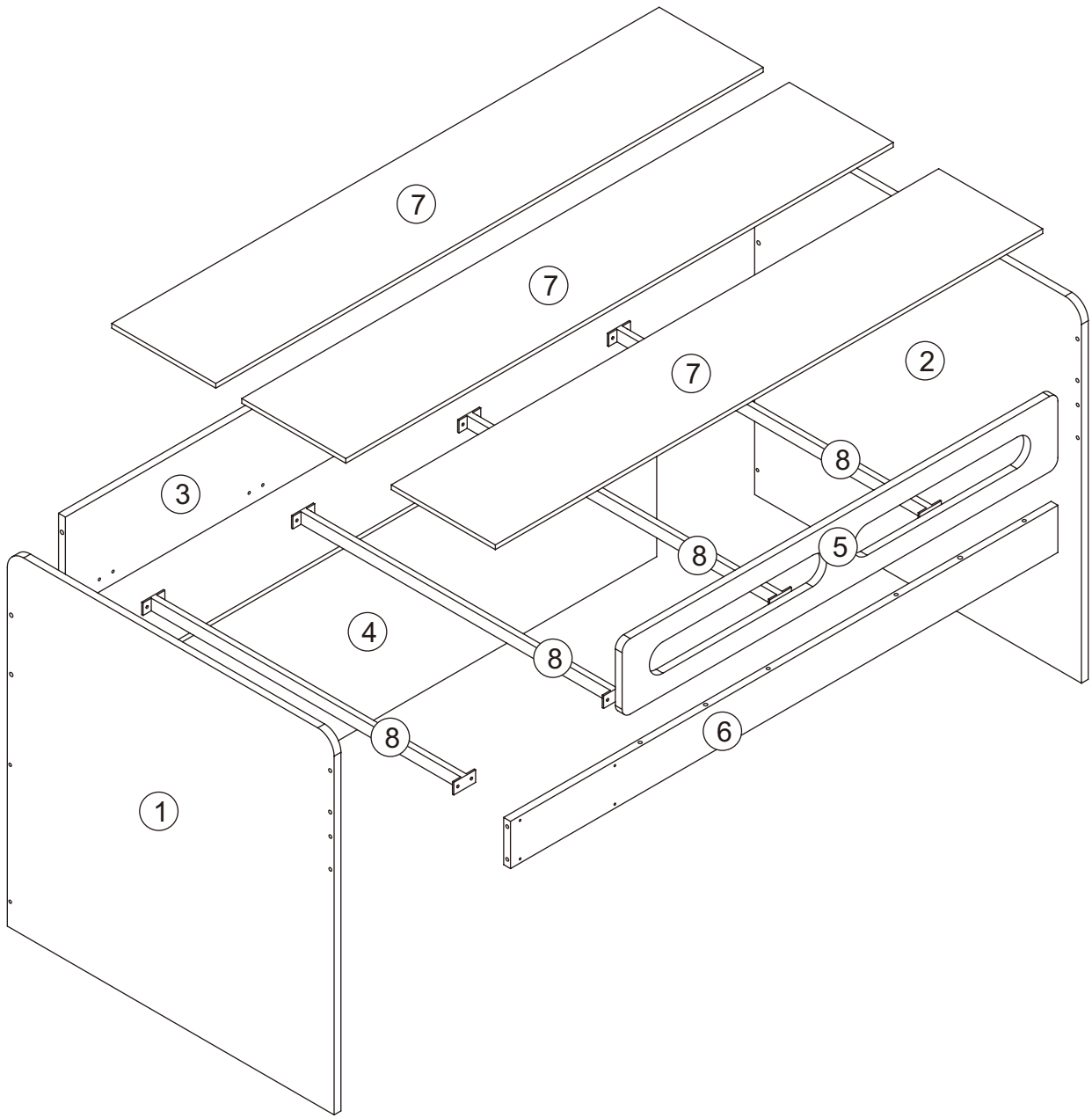


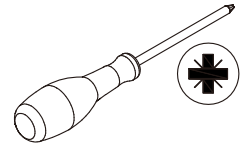
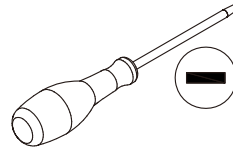
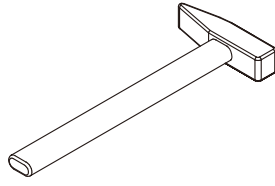
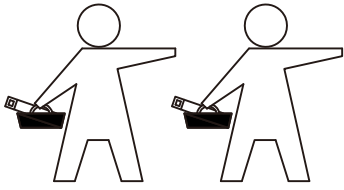
D12



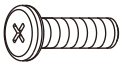


P2-P10



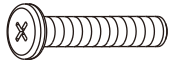


Ax16



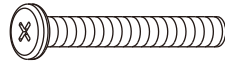
M6x20

Bx4



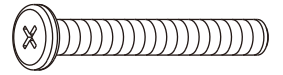
M6x30

Cx4



M6x60

Dx8



M8*60

Ex16



#8

Fx3

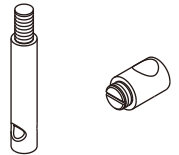


#6

Gx20



Hx4



Jx10



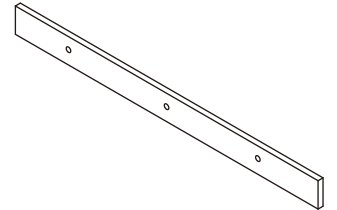
Kx2



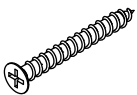
Nx2



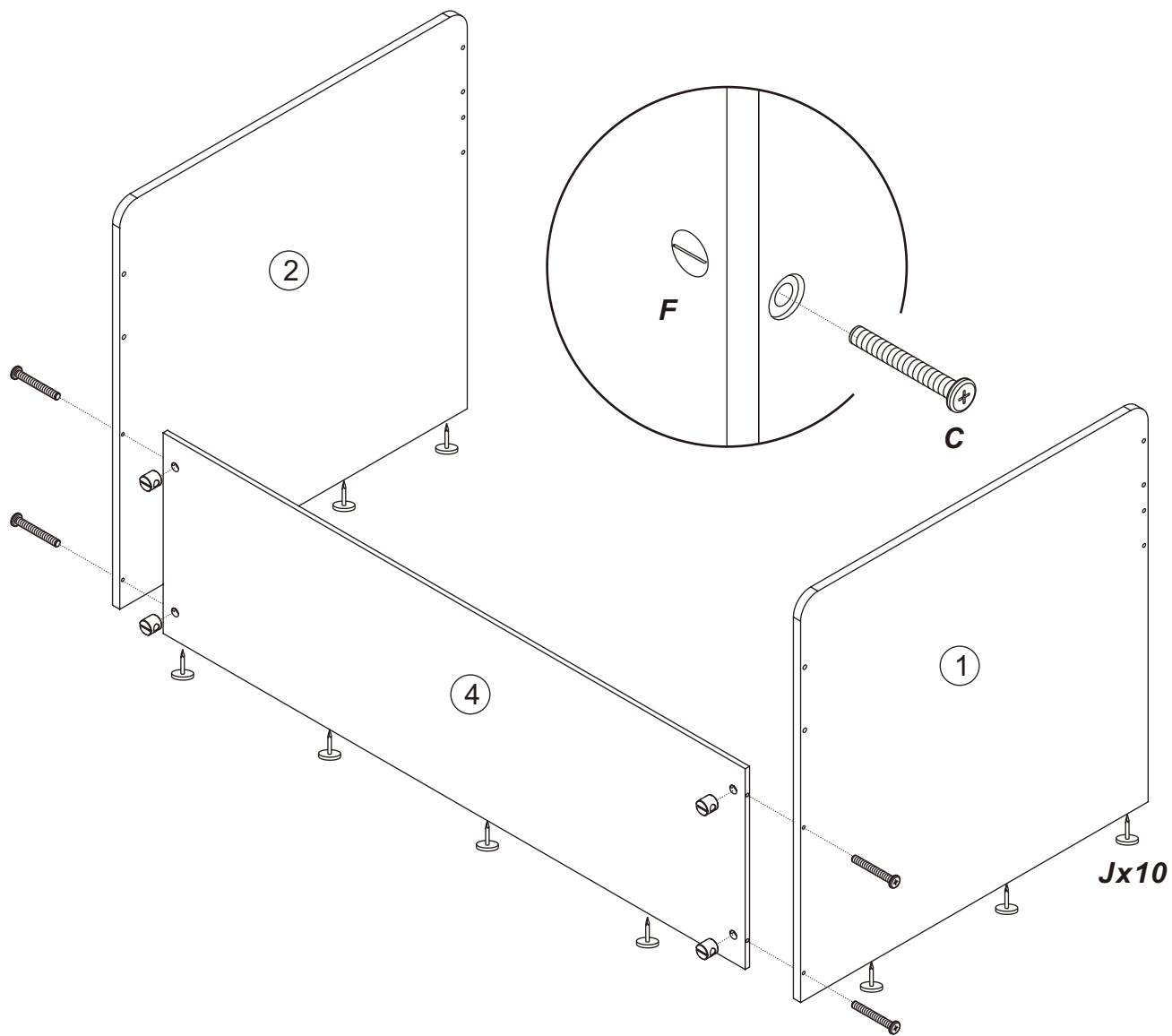
Mx2



Ox6



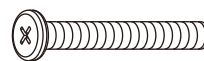
1.



Fx4



Cx4

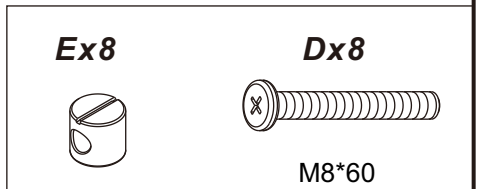
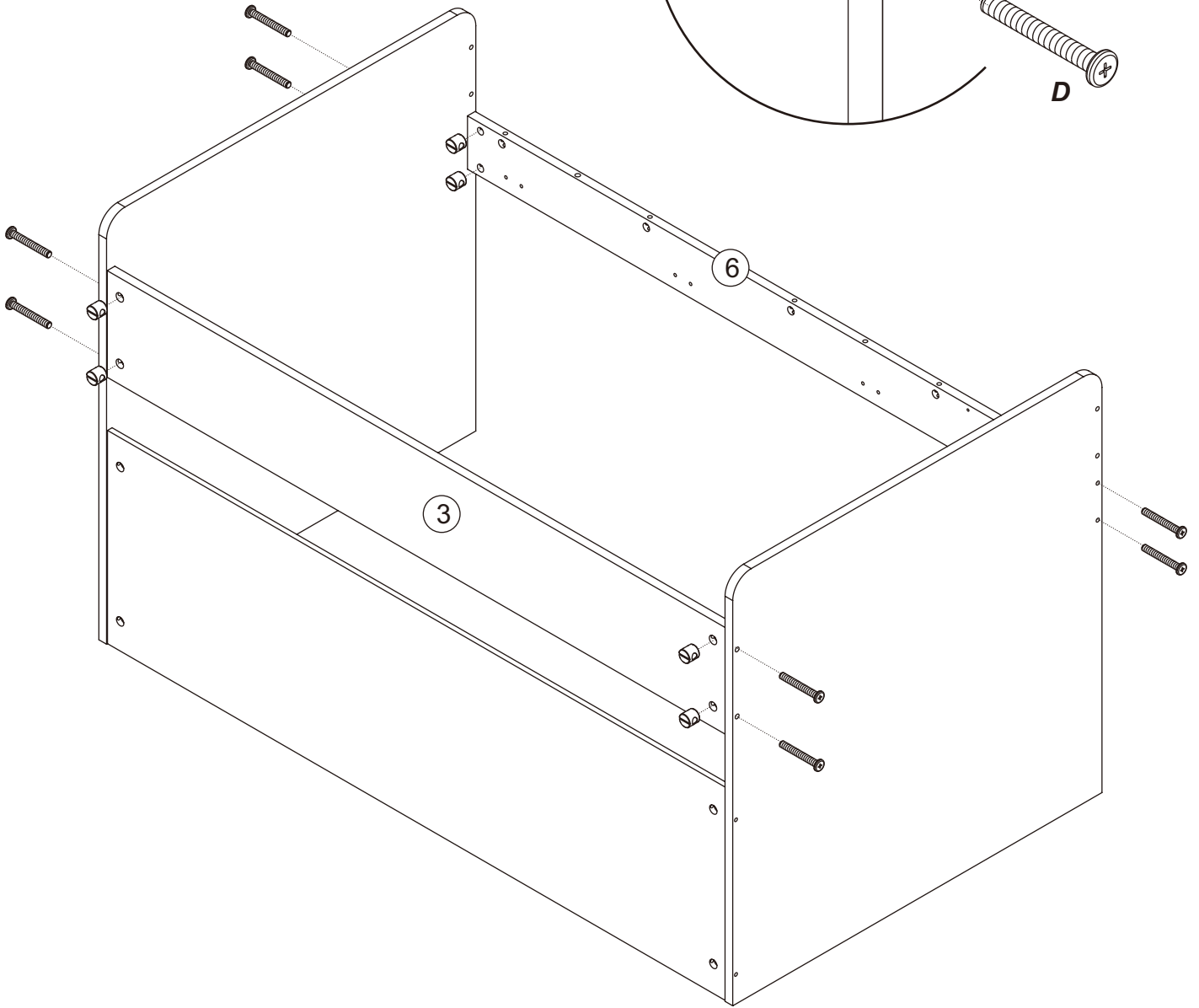
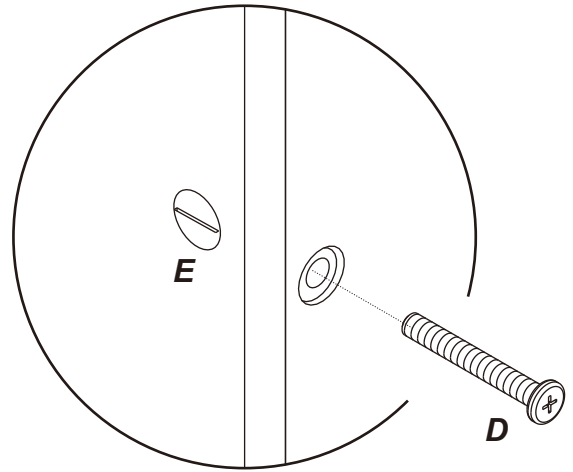


M6*60

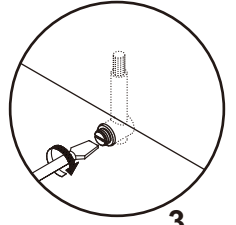
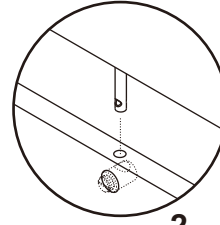
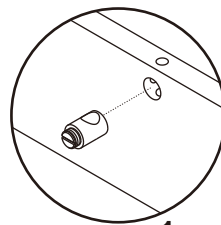
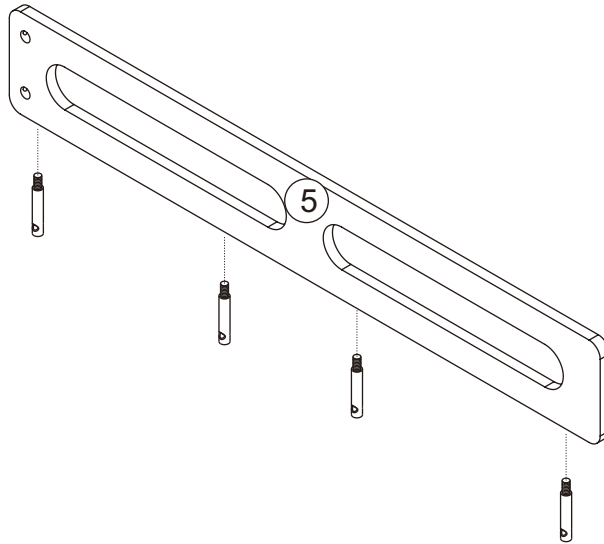
Jx10



2.



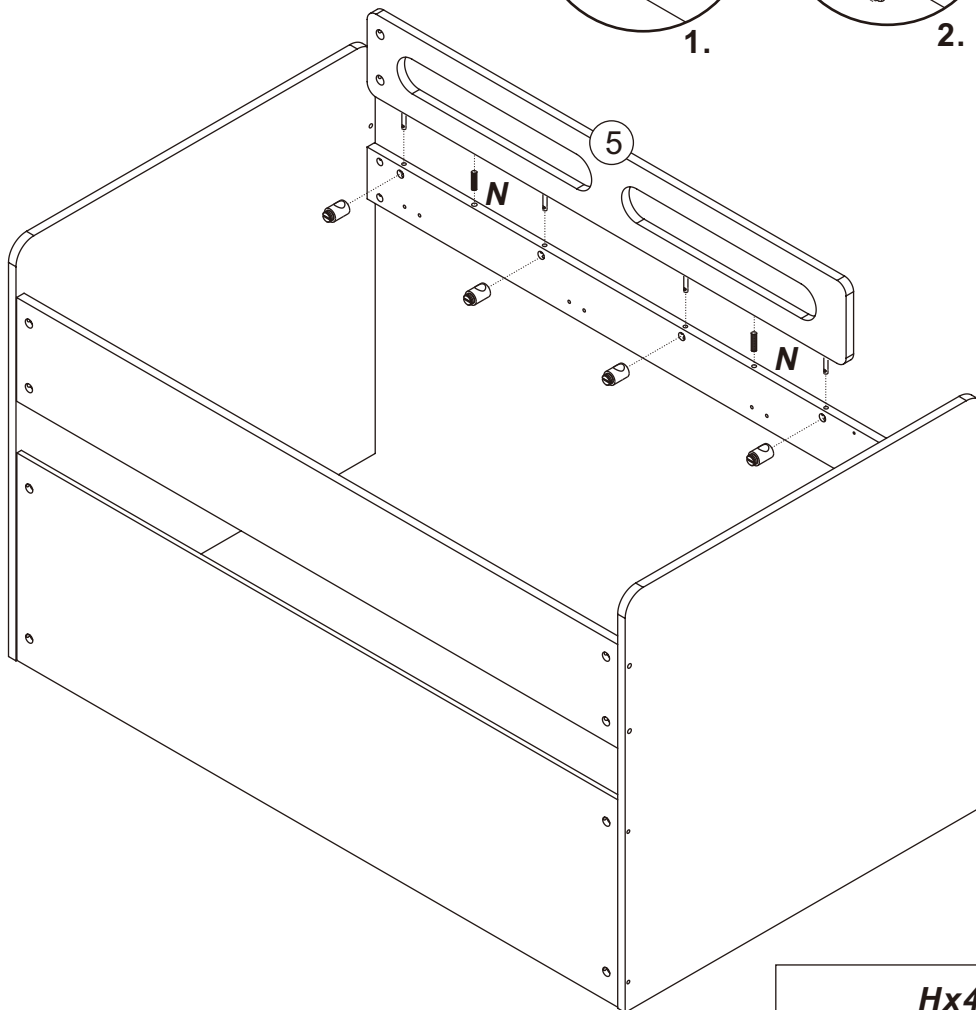
3.



1.

2.

3.

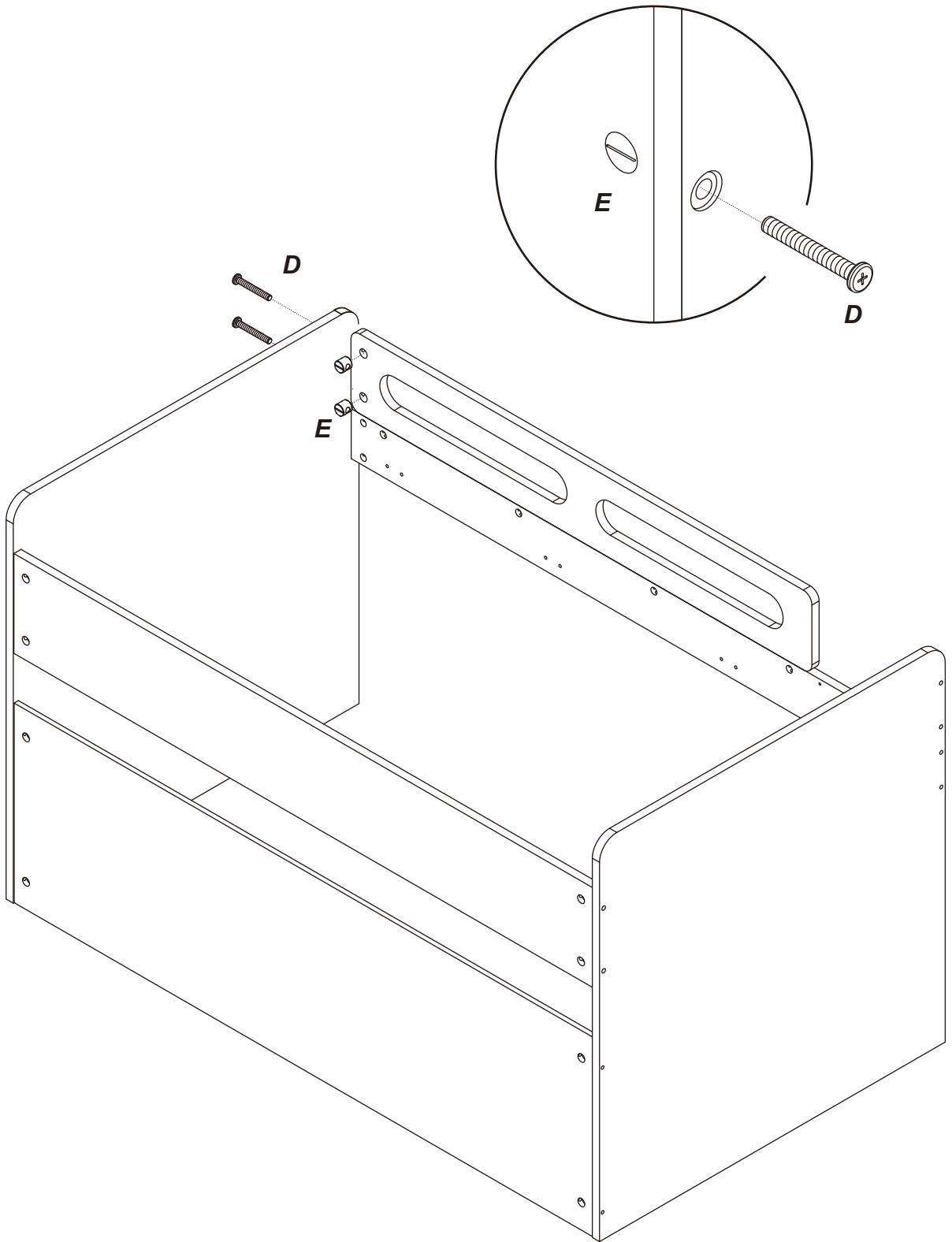


Hx4

Nx2



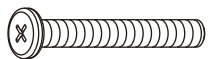
4.



Ex2

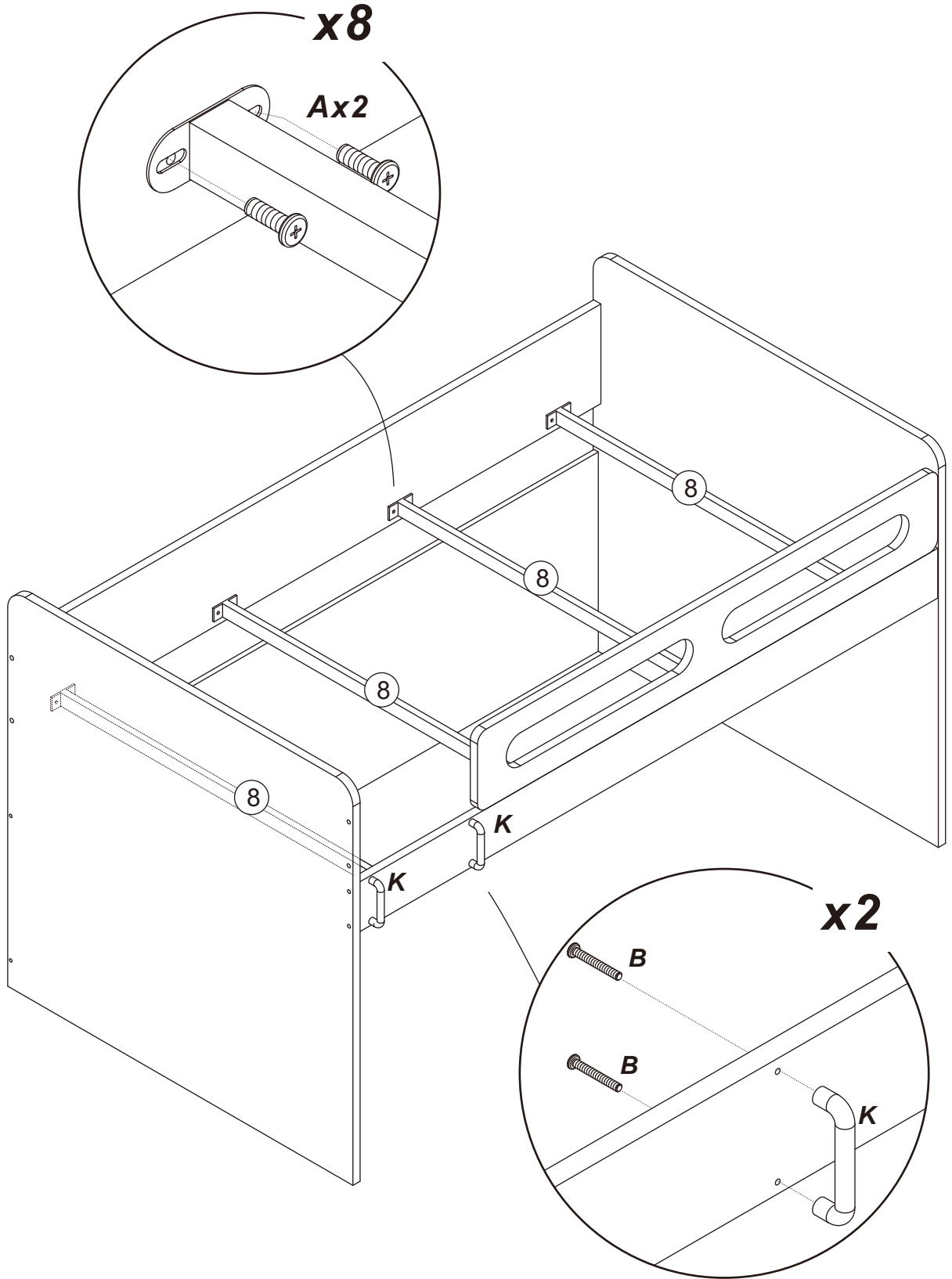



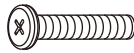
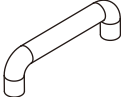
Dx2



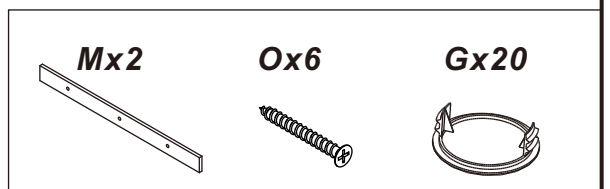
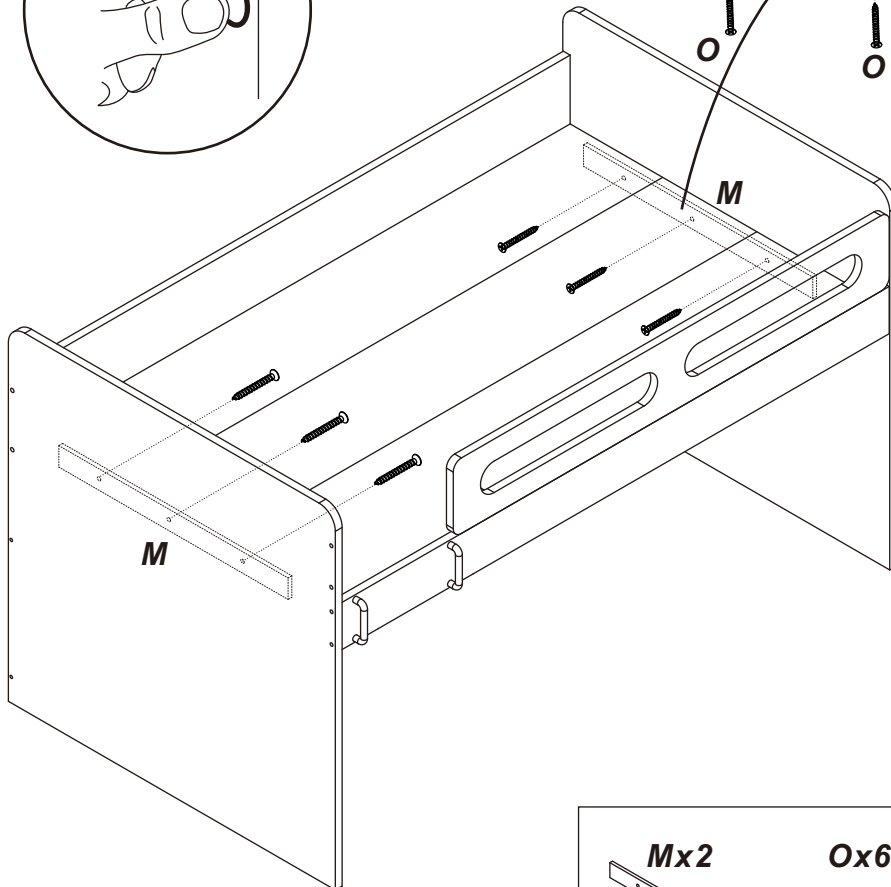
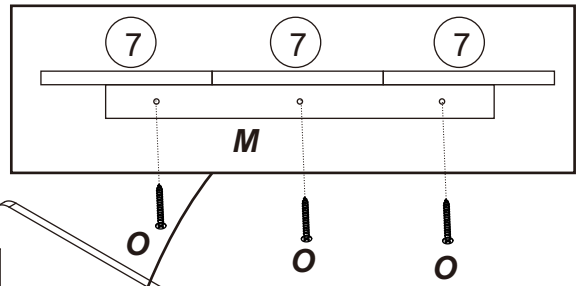
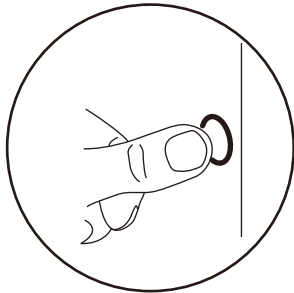
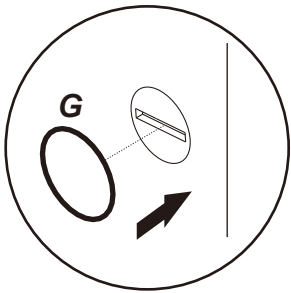
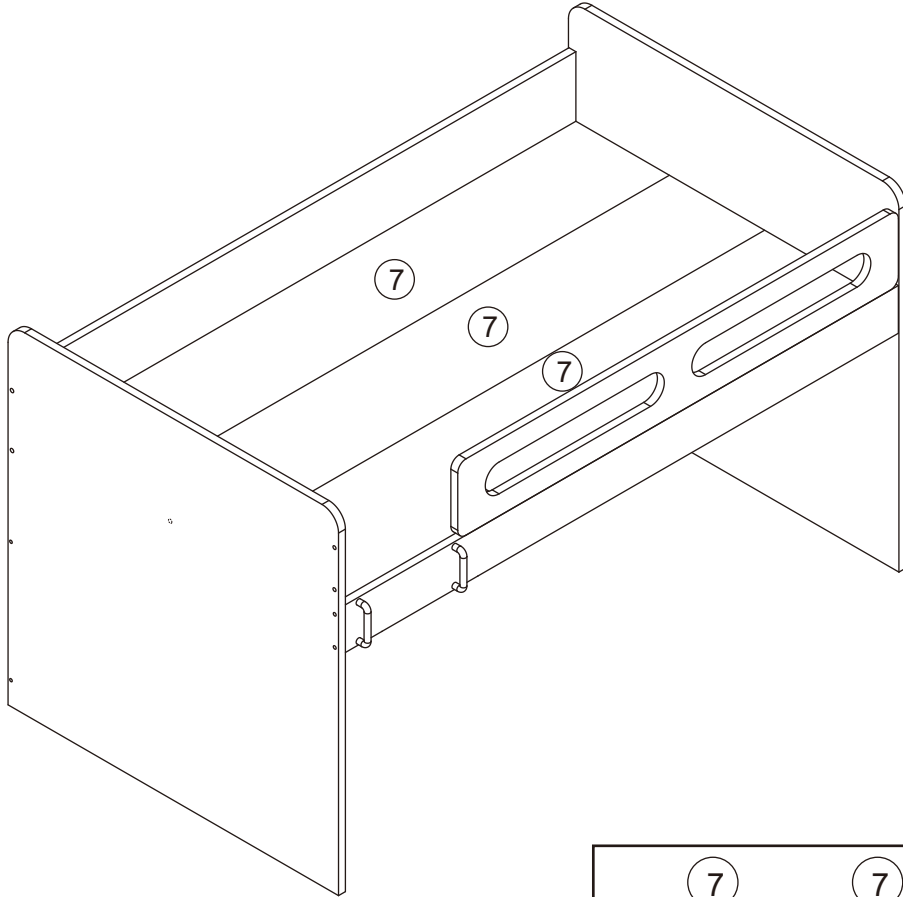
M8*60

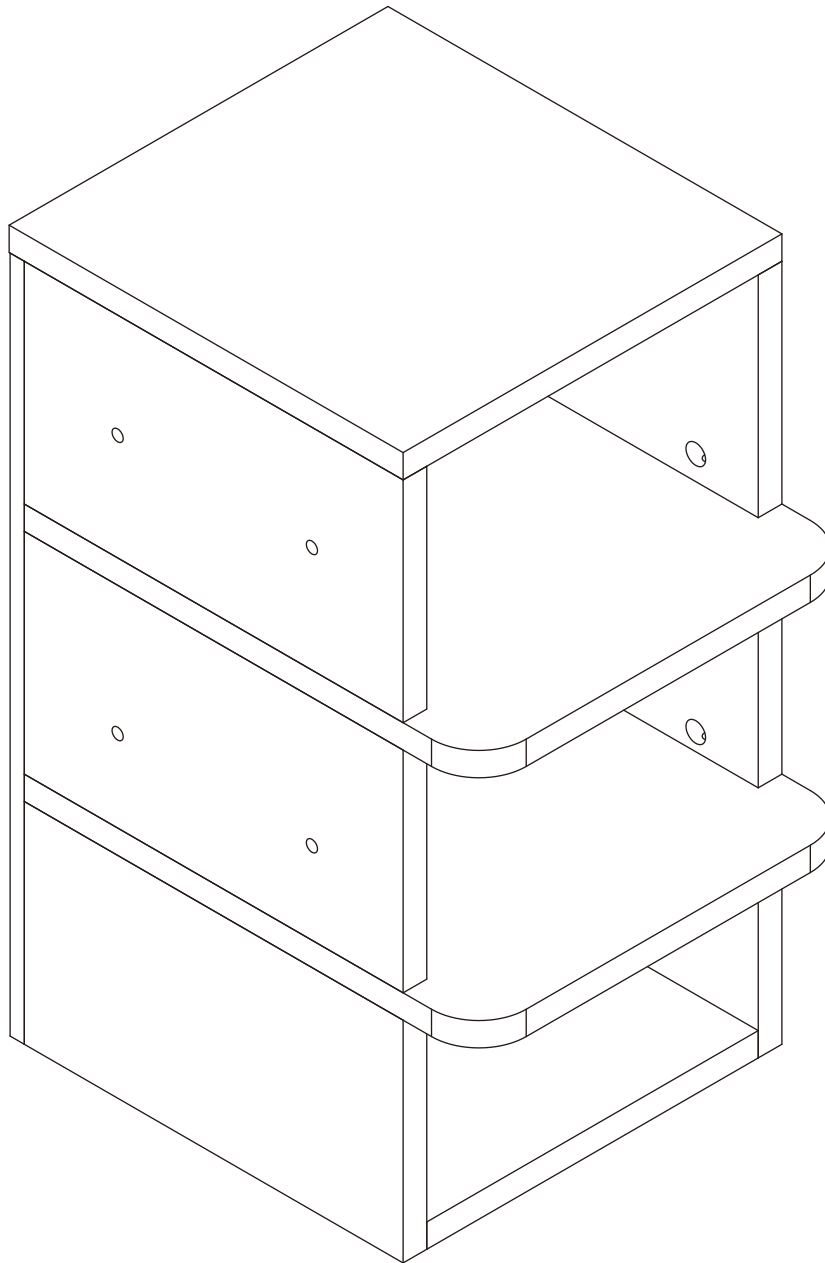
5.



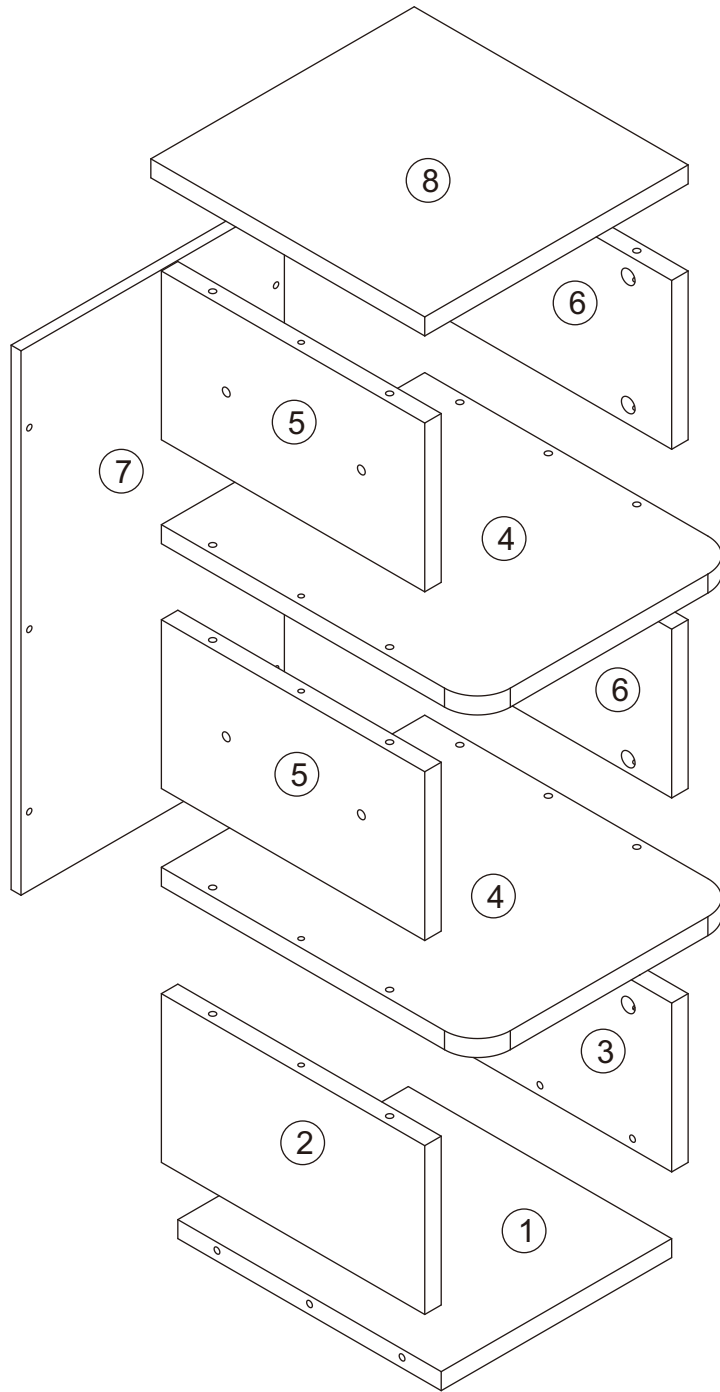
Ax16	Bx4	Kx2
		
M6x20	M6x30	

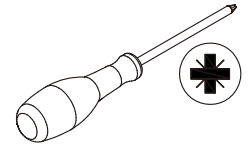
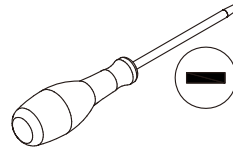
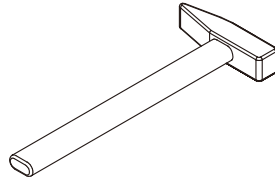
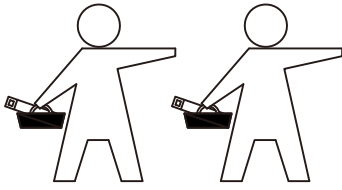
6.



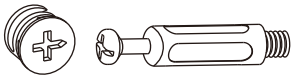


P11-P18





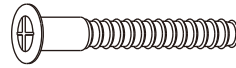
Ax26



Bx12



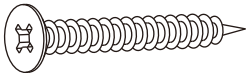
Cx6



Dx4



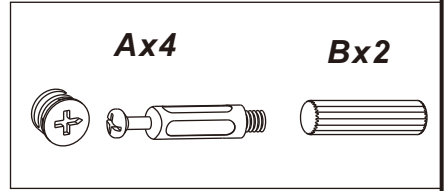
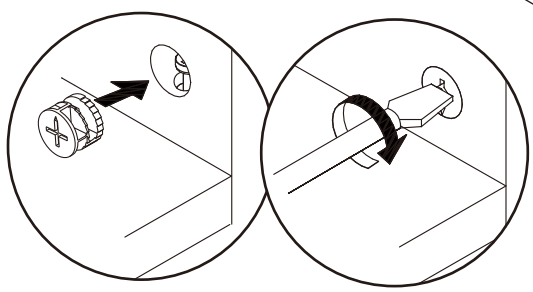
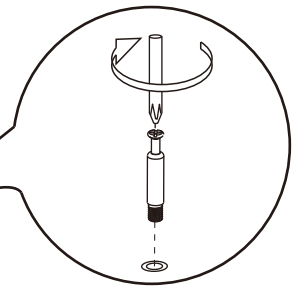
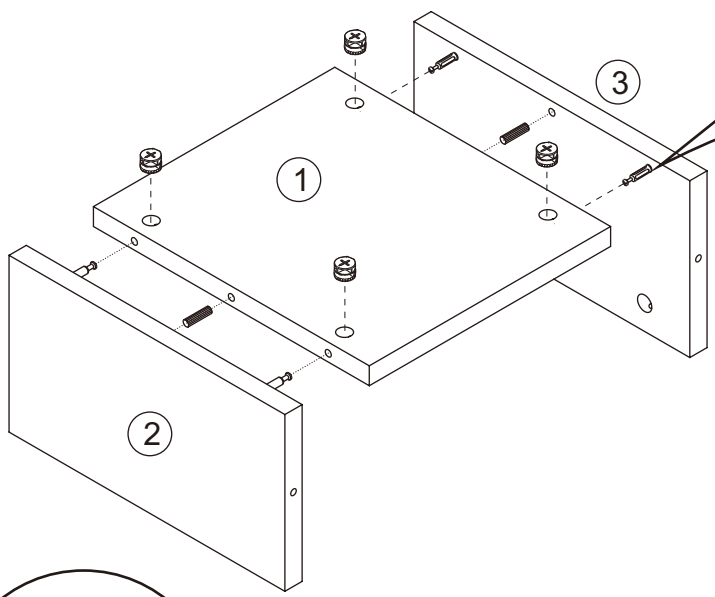
Ex4



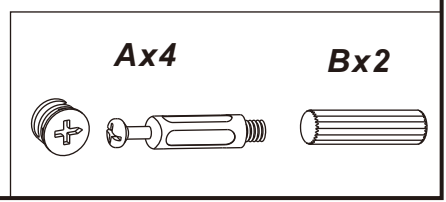
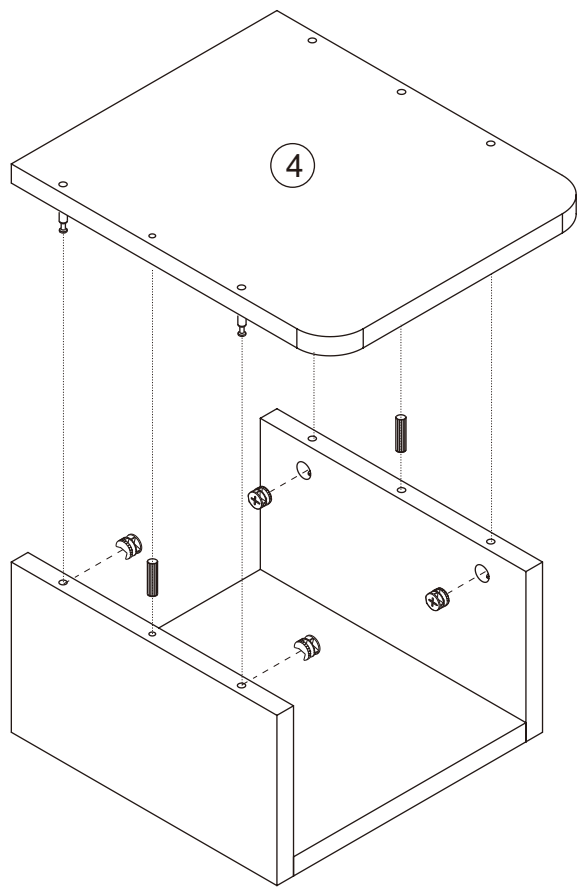
M3.5*35

M7*38

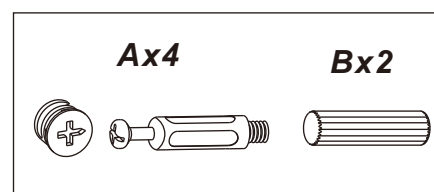
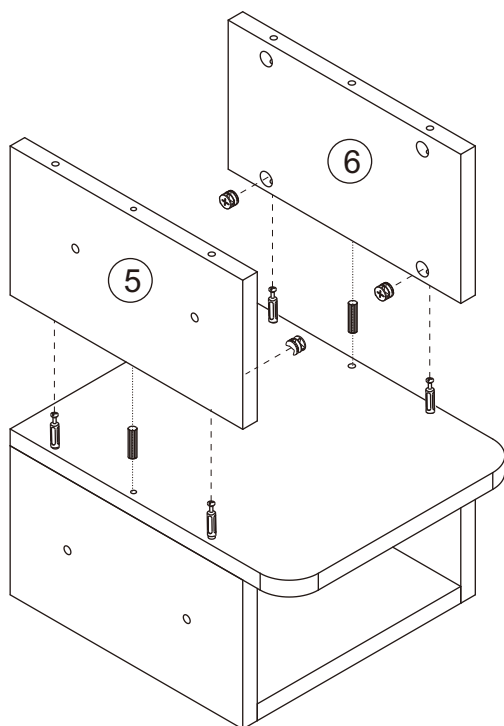
1.



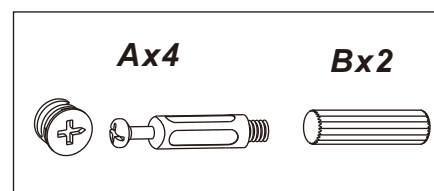
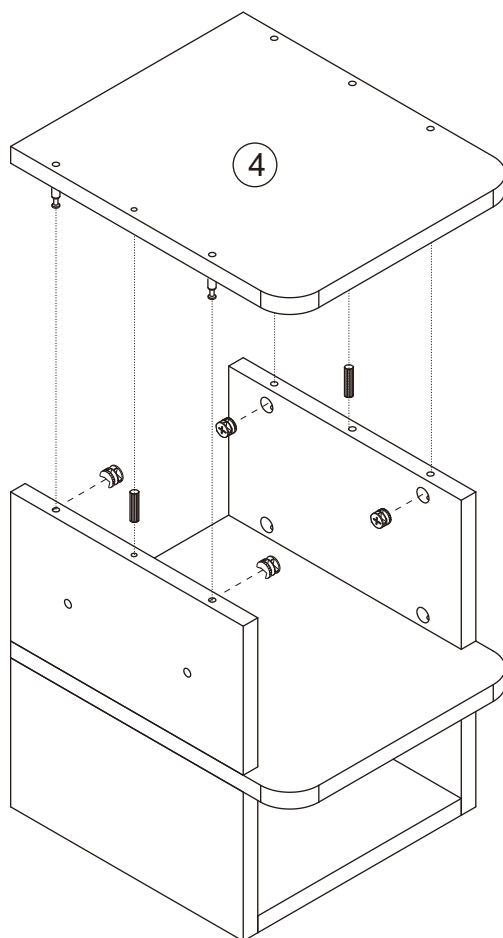
2.



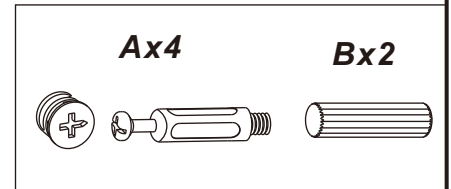
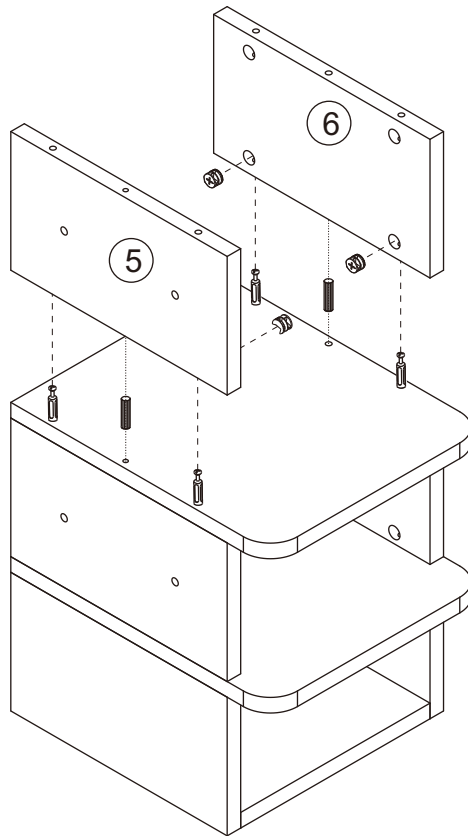
3.



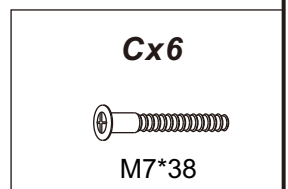
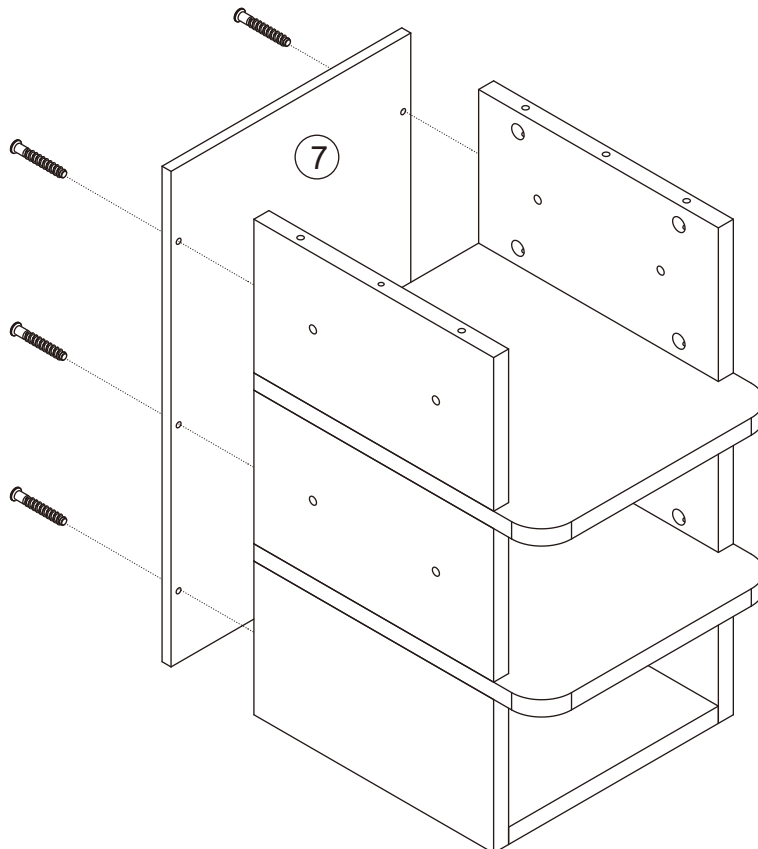
4.



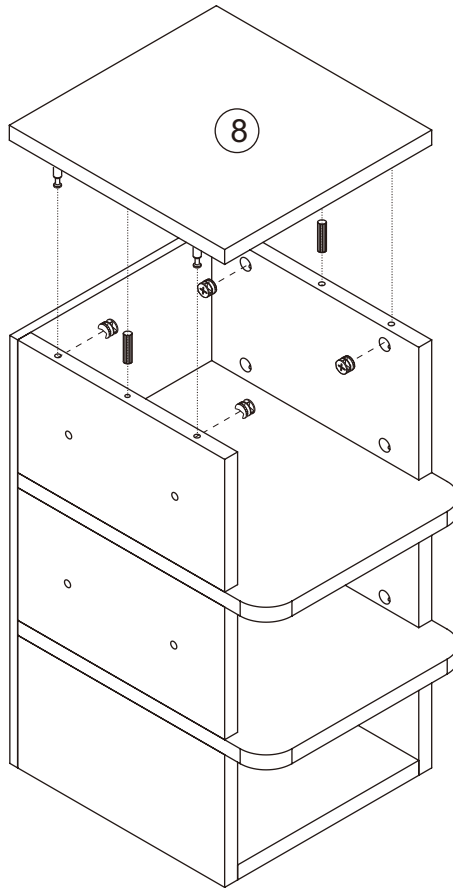
5.



6.



7.

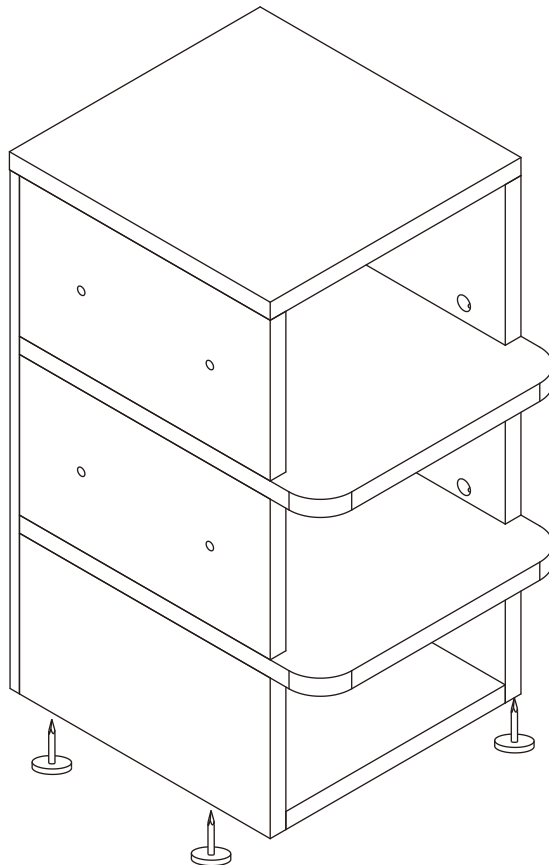


Ax4

Bx2

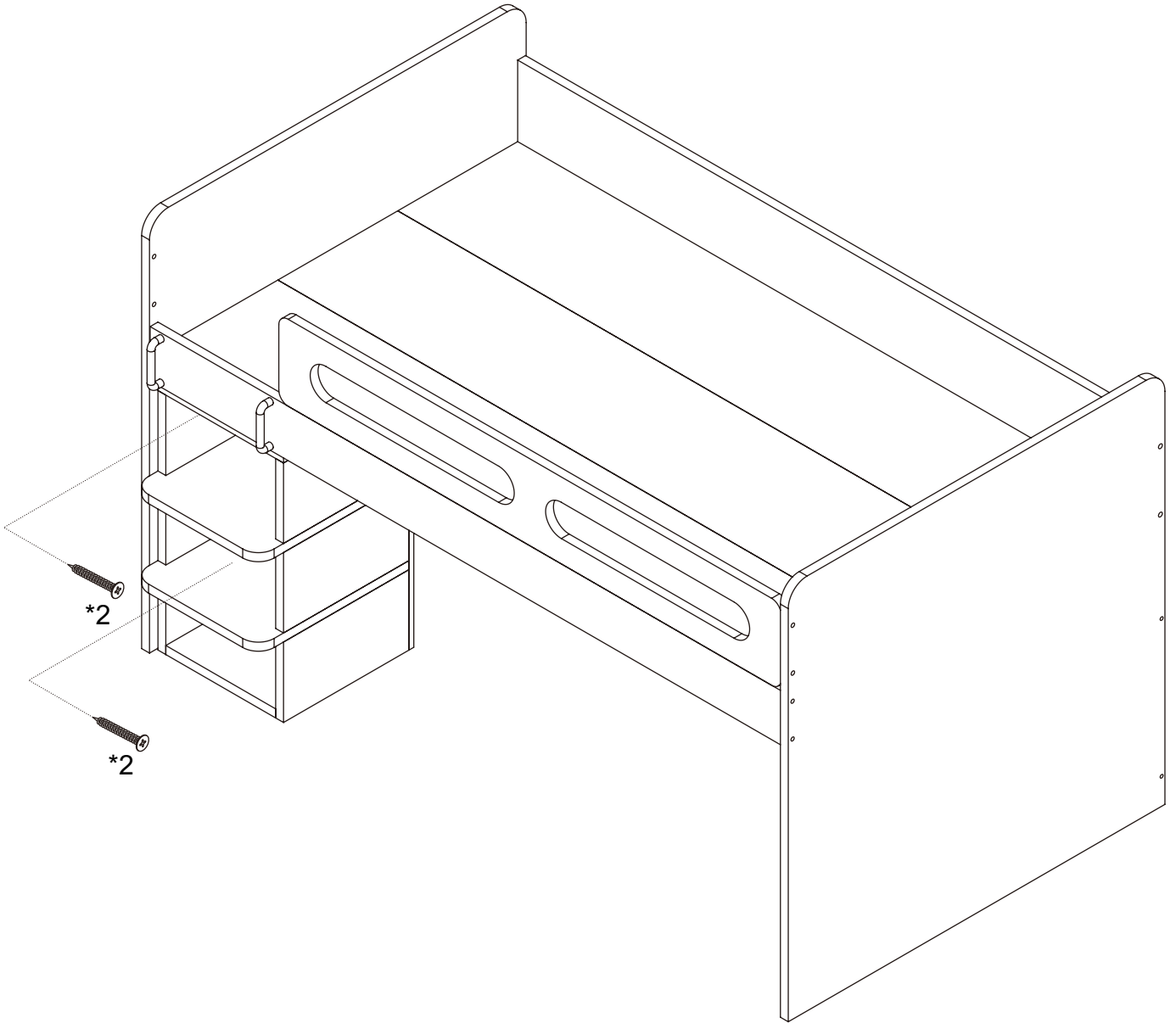


8.



Dx4

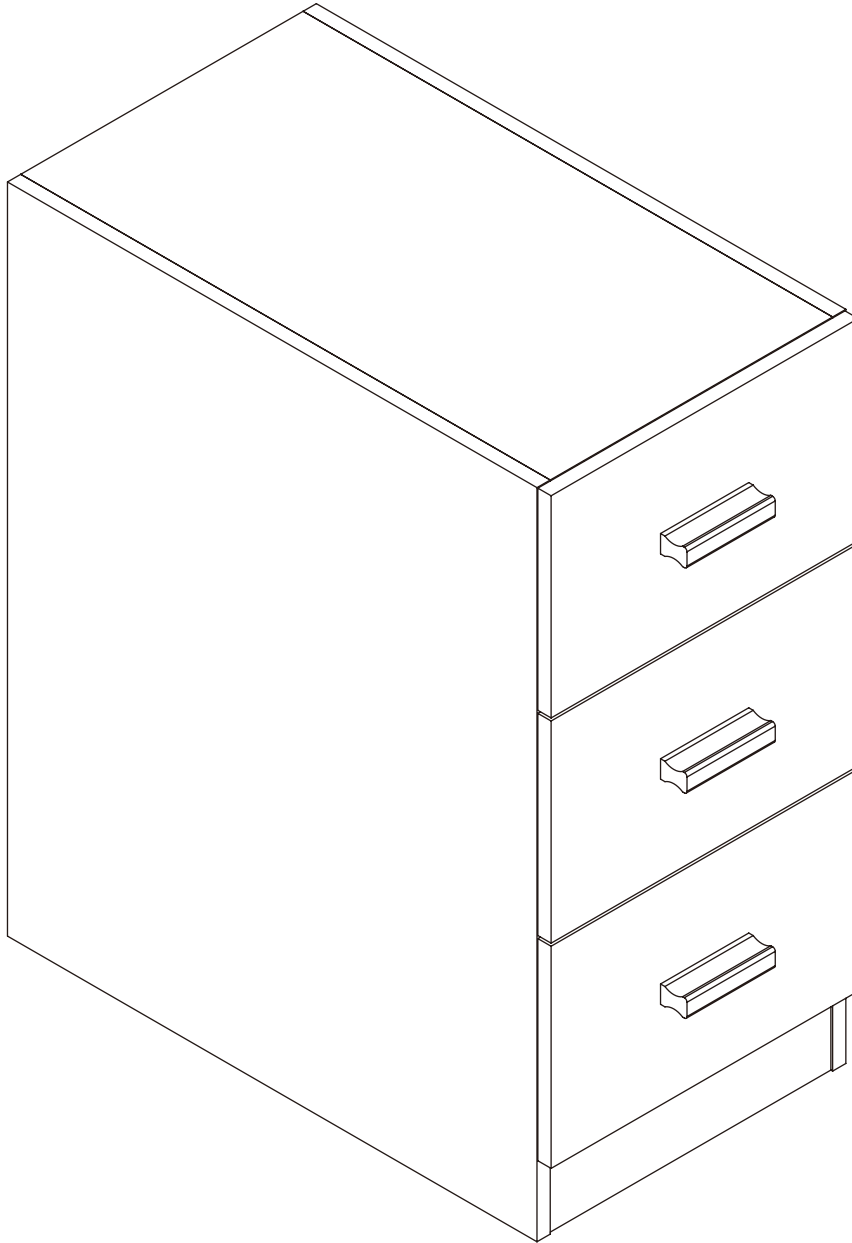




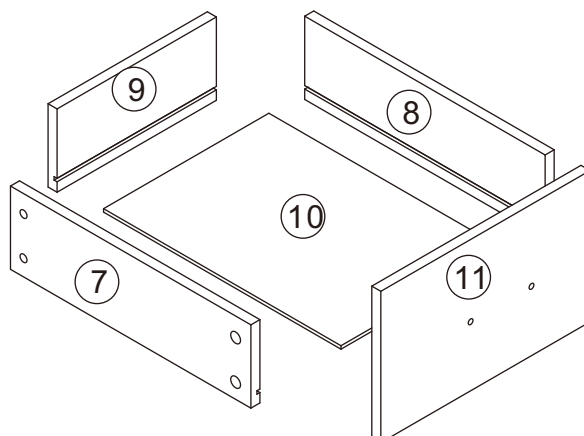
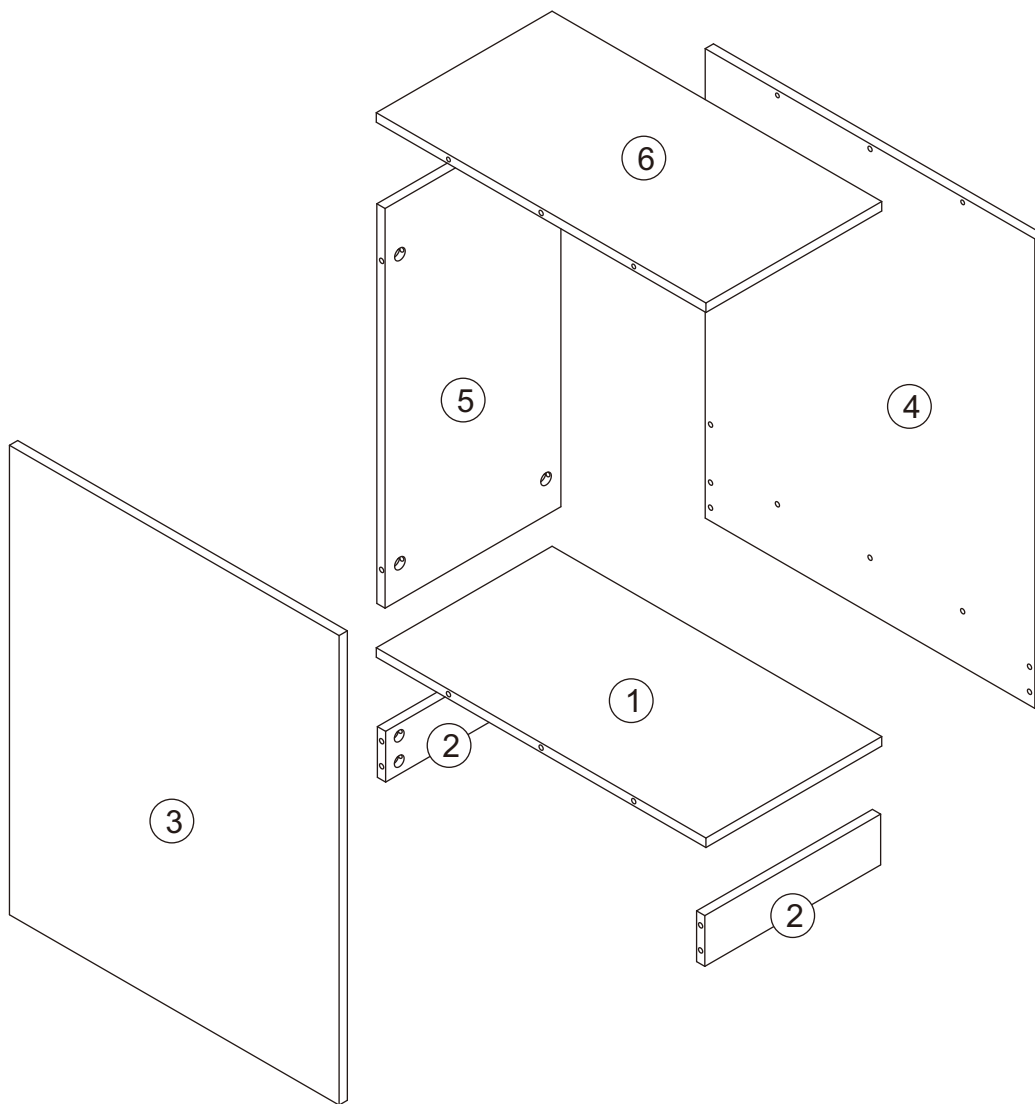
Ex4

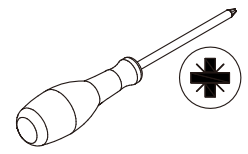
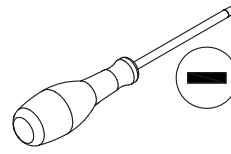
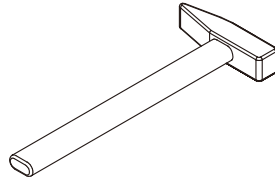
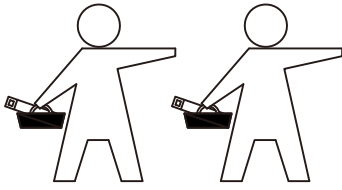


M3.5*35

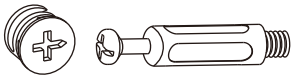


P19-P28

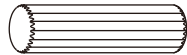




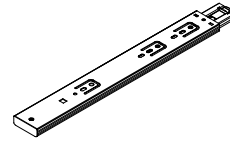
Ax32



Bx4



Cx3



Dx6

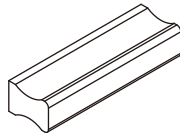


Ex12

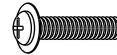


M3.5*35

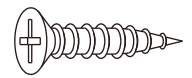
Fx3



Gx6

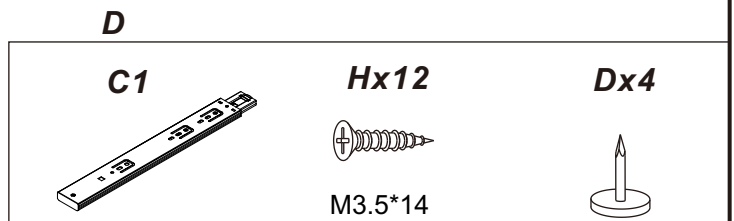
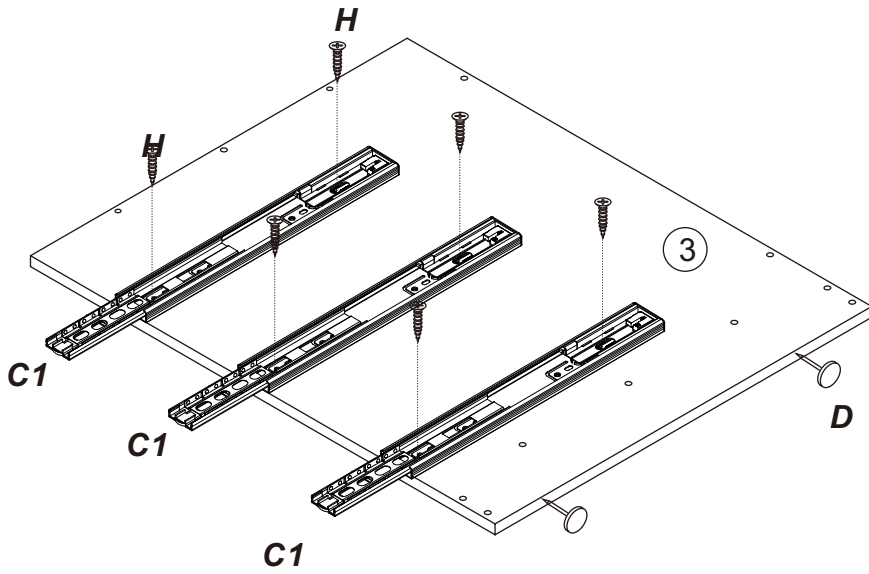
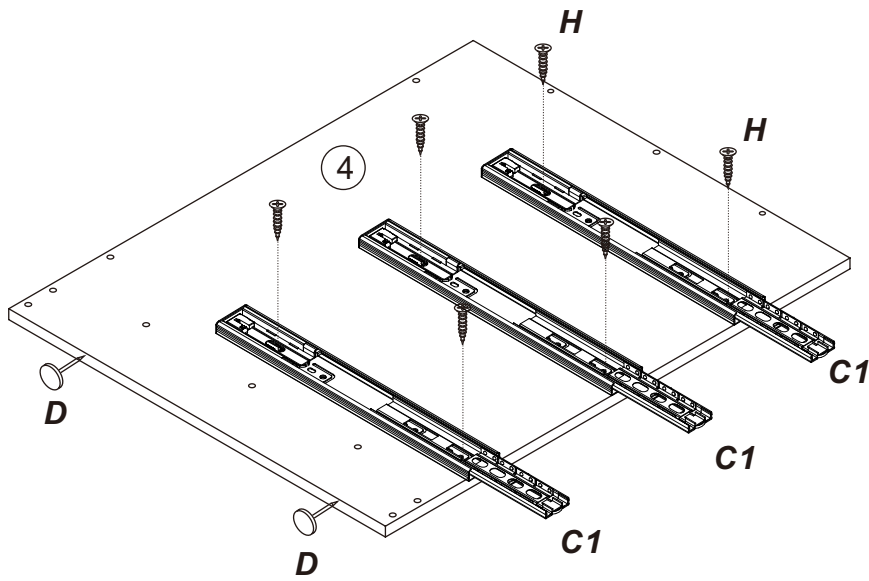
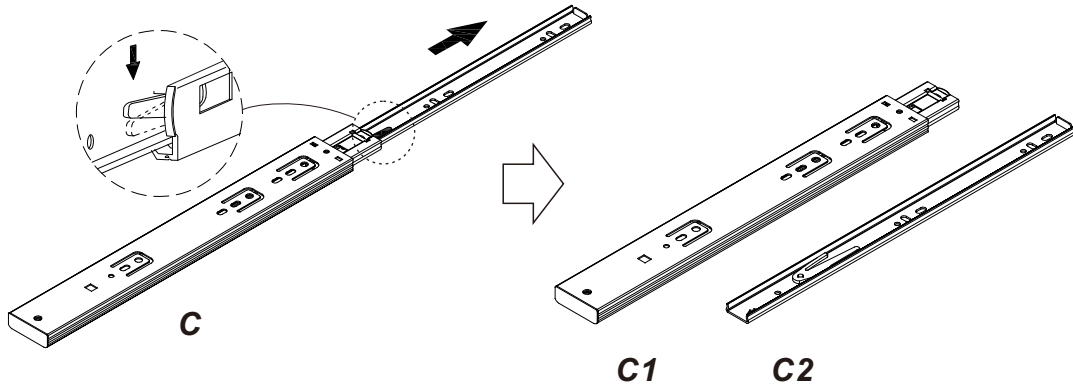


Hx24

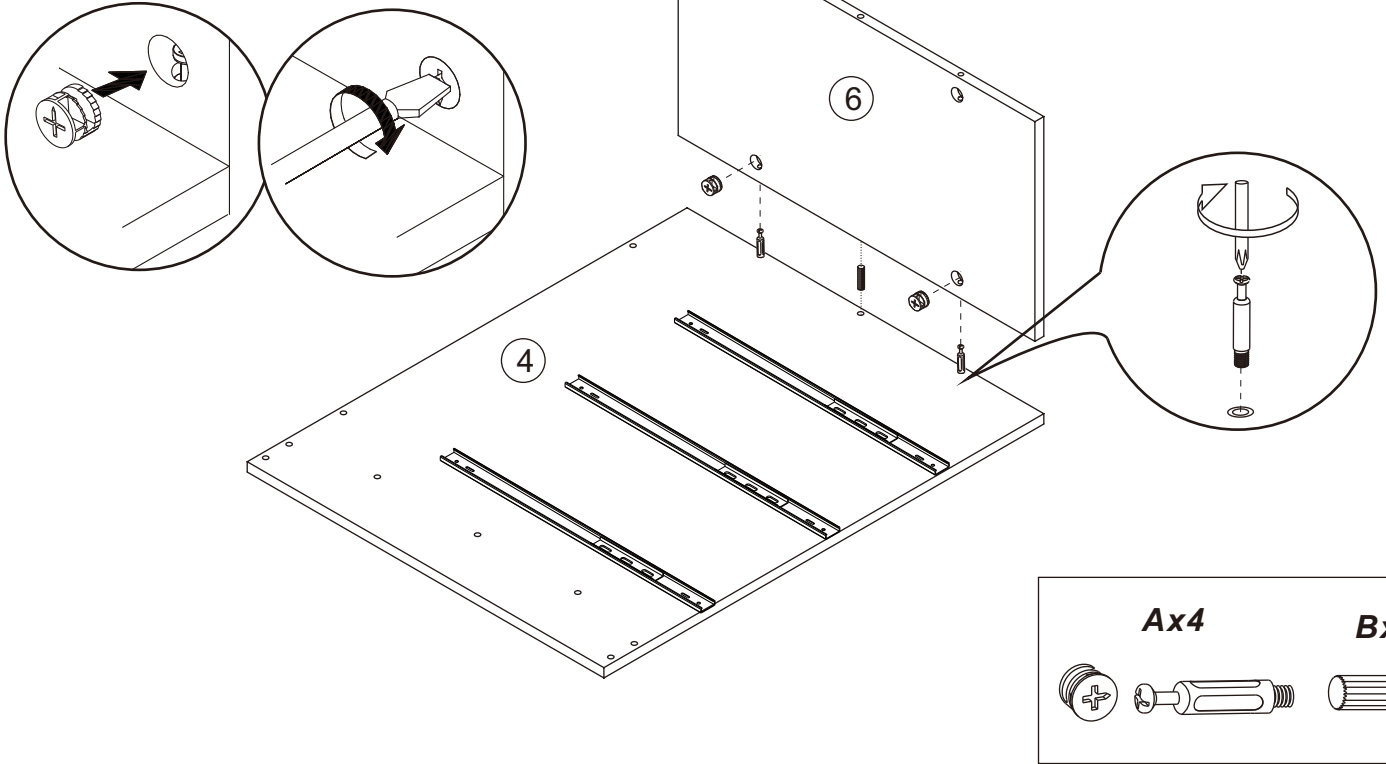


3.5*14

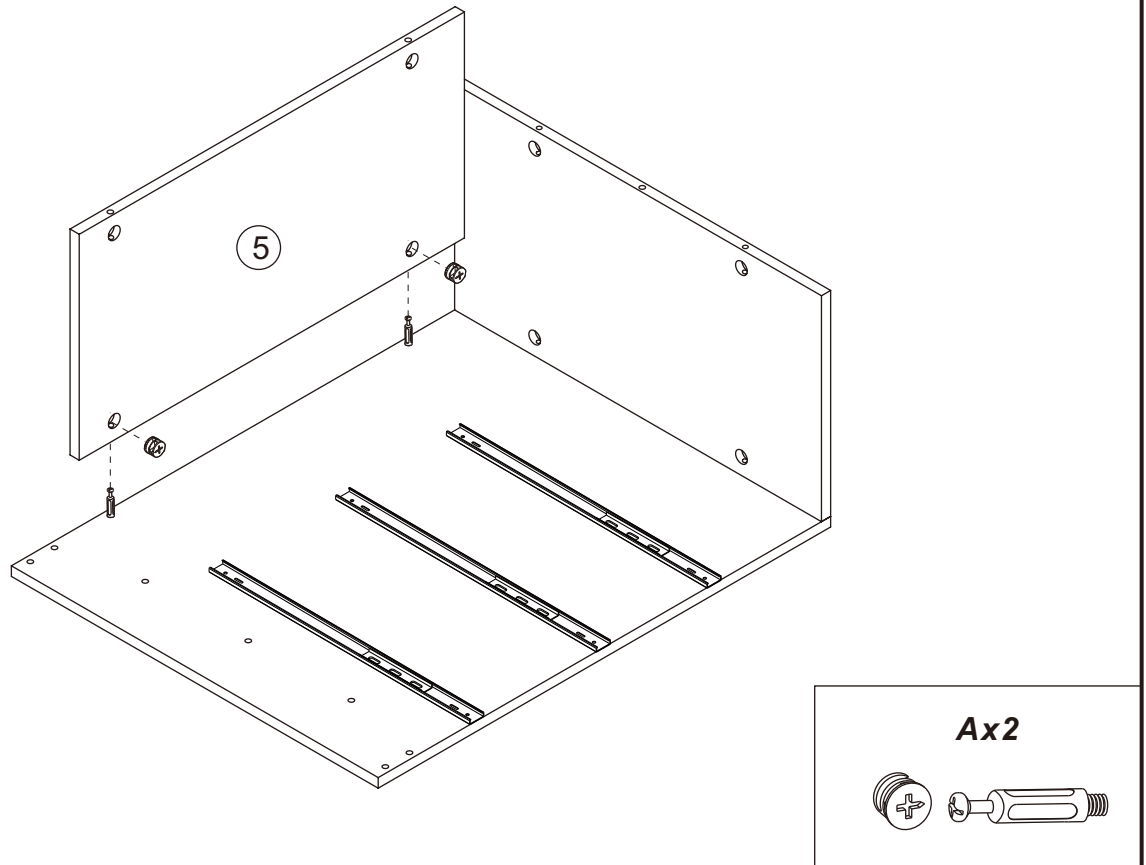
1.



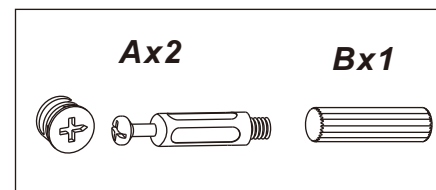
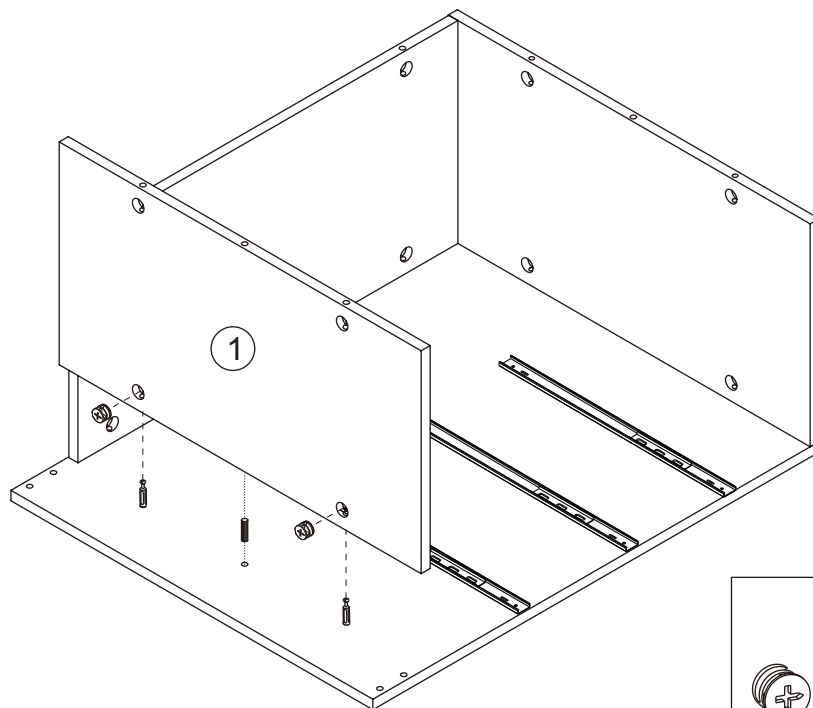
2.



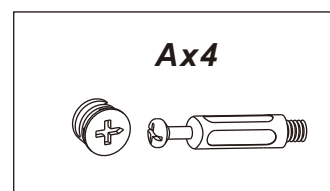
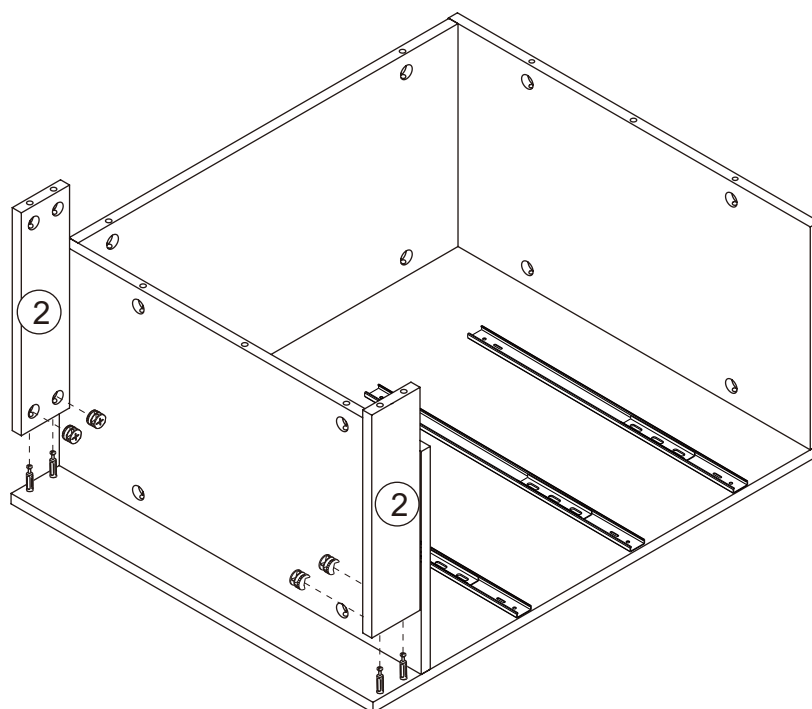
3.



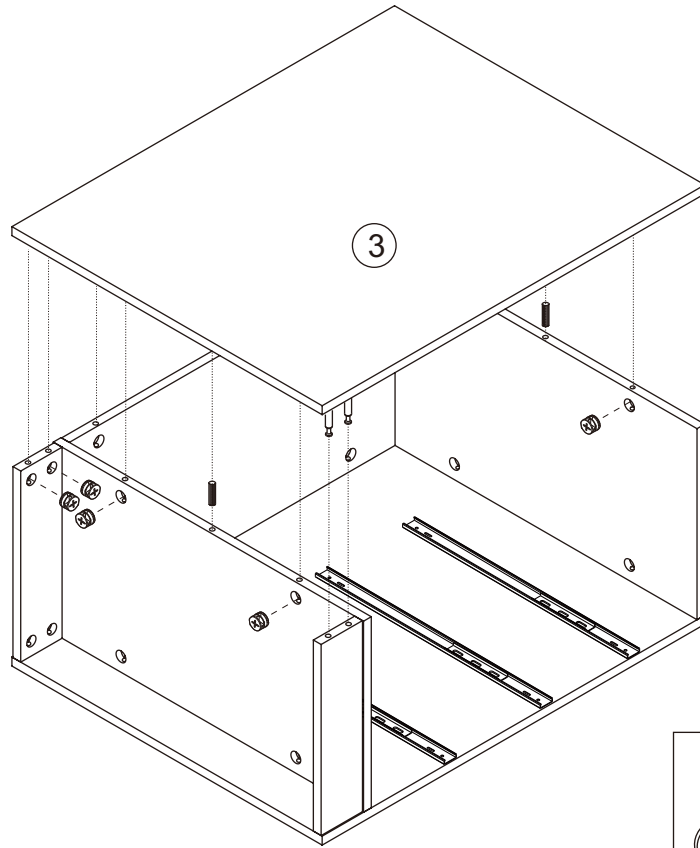
4.



5.



6.

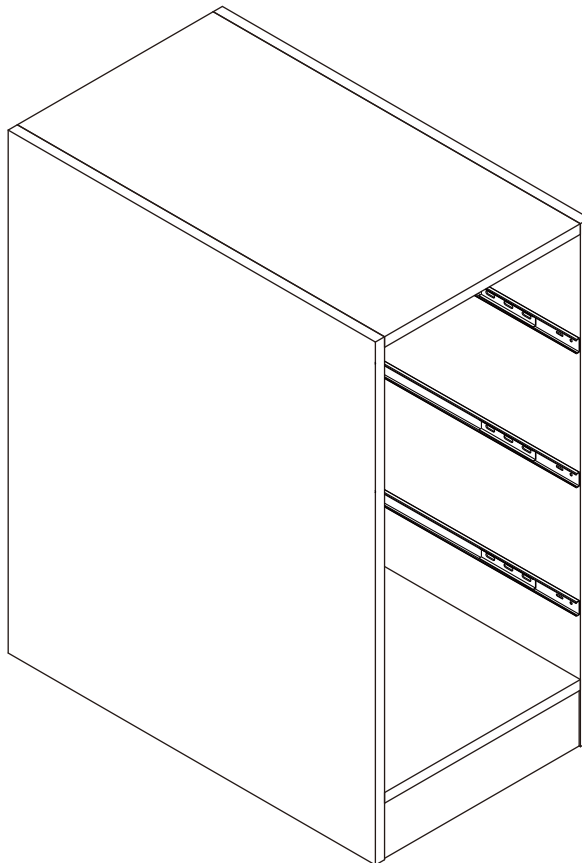


Ax10

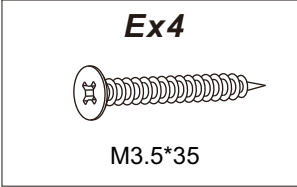
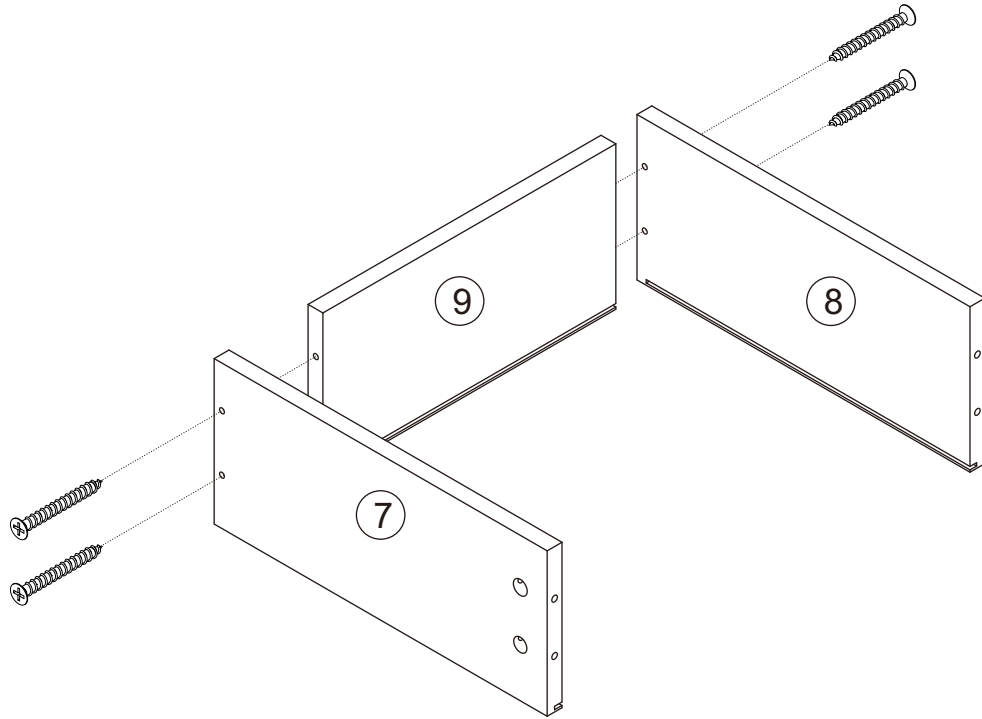
Bx2



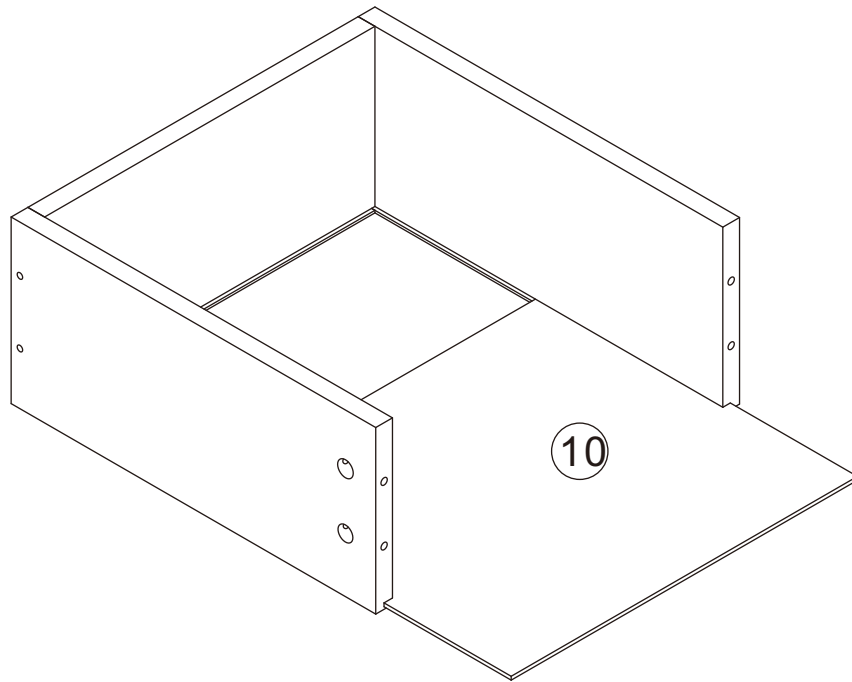
7.



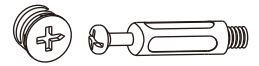
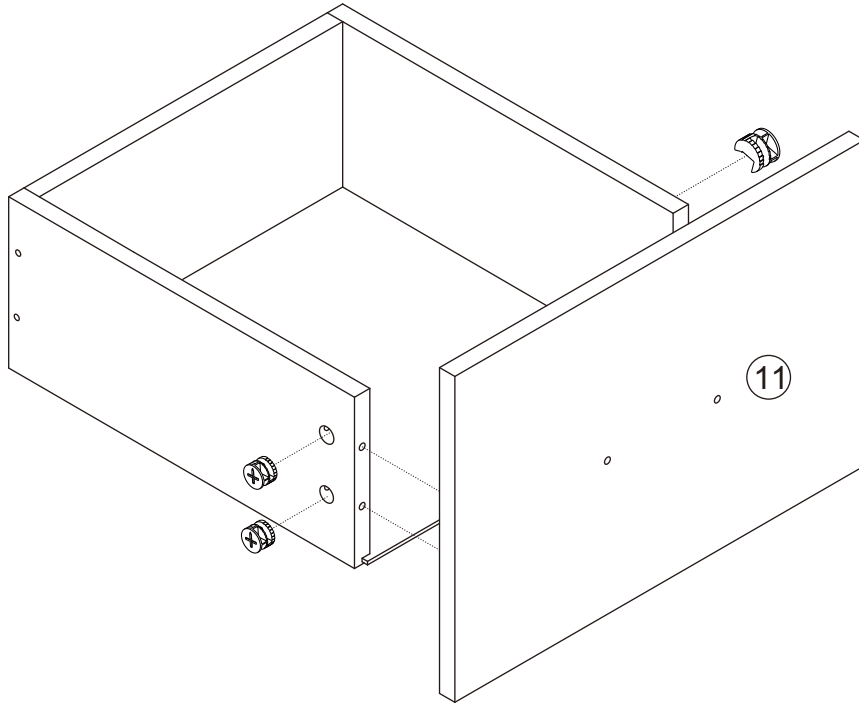
8.



9.

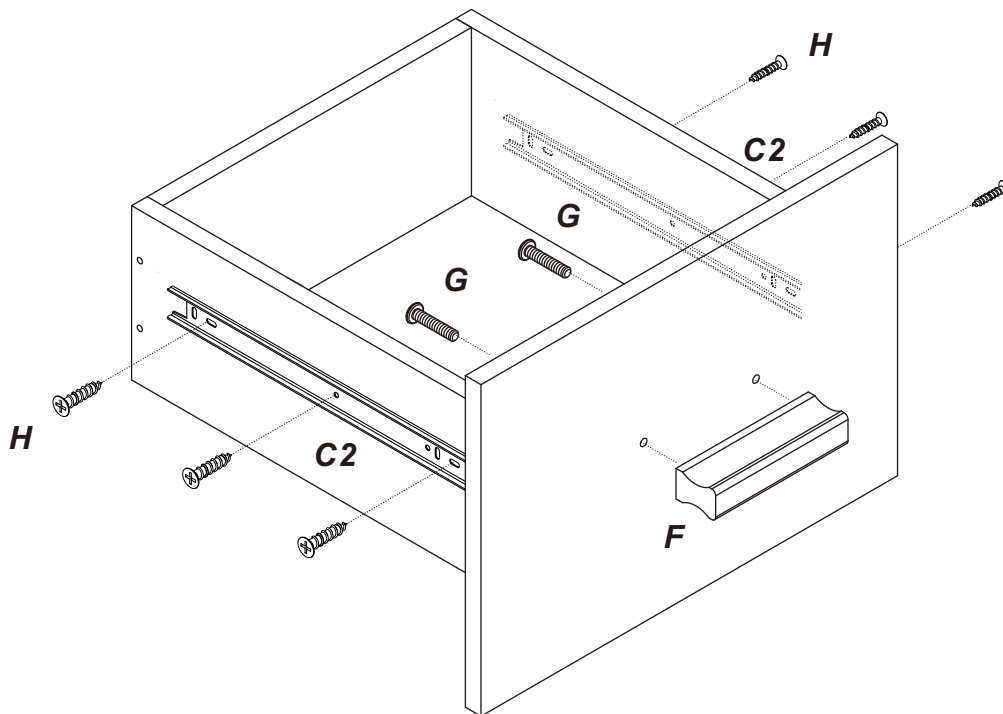


10.

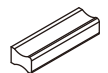


Ax4

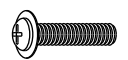
11.



x3



Fx1



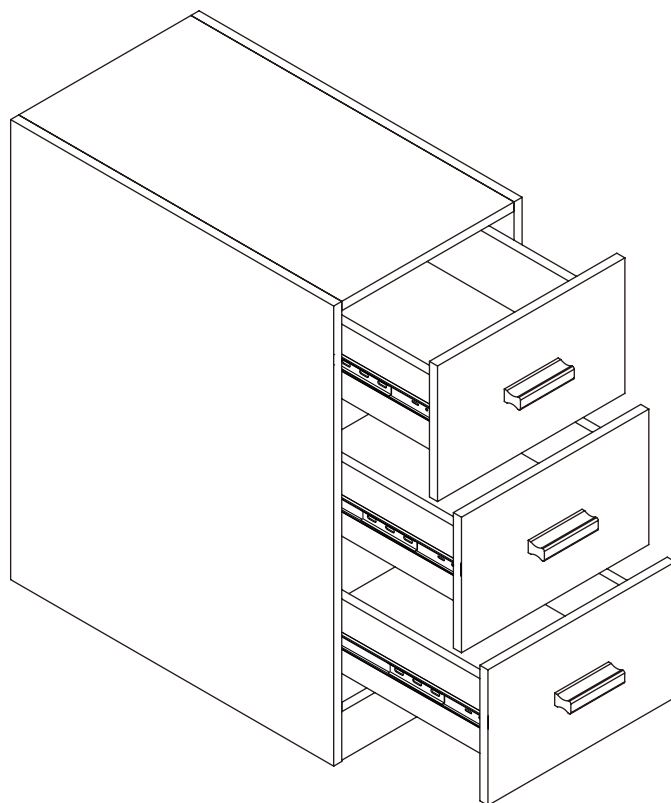
Gx2



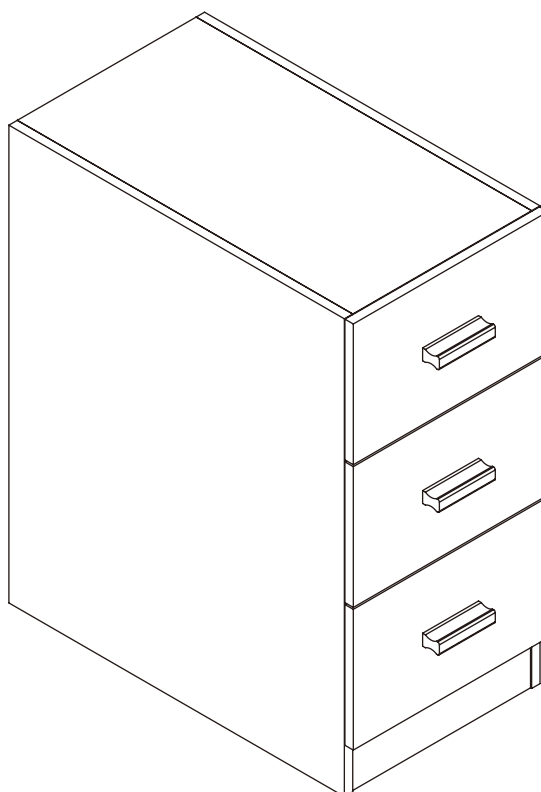
3.5*14

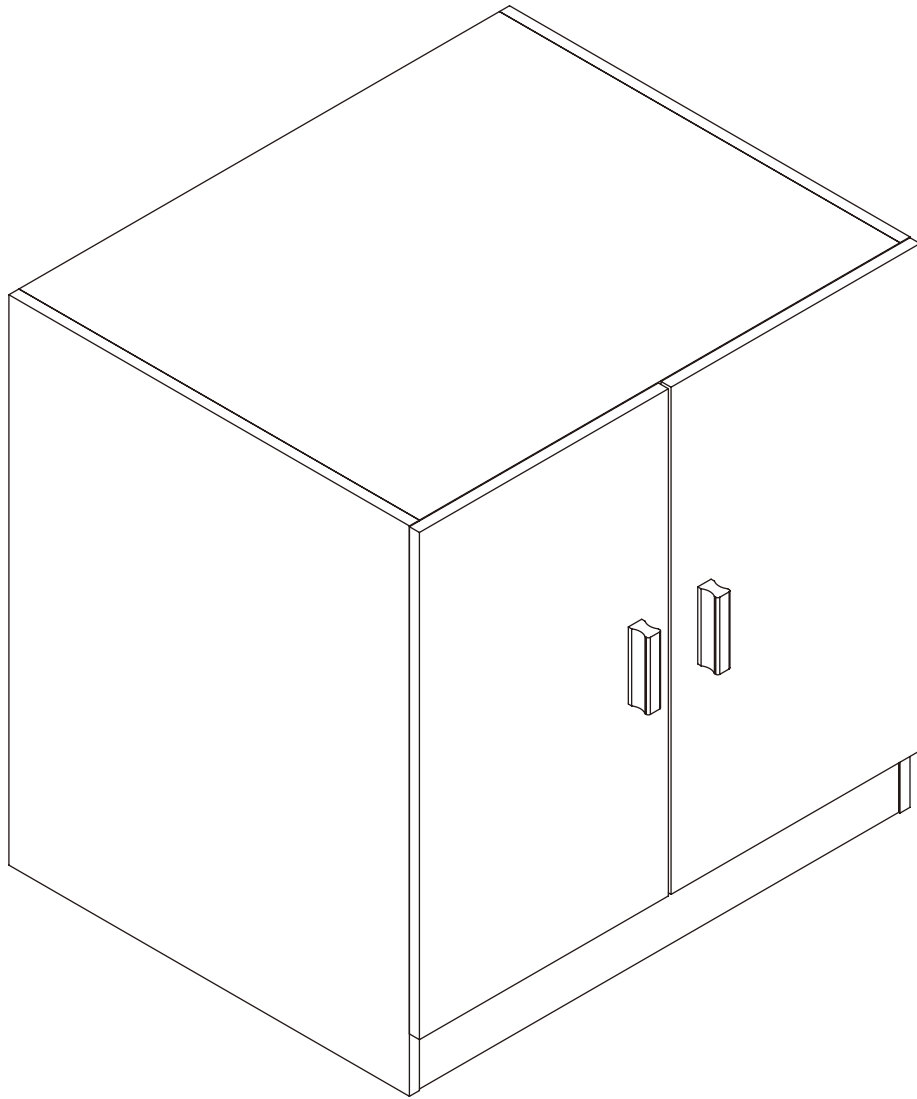
Hx6

12.

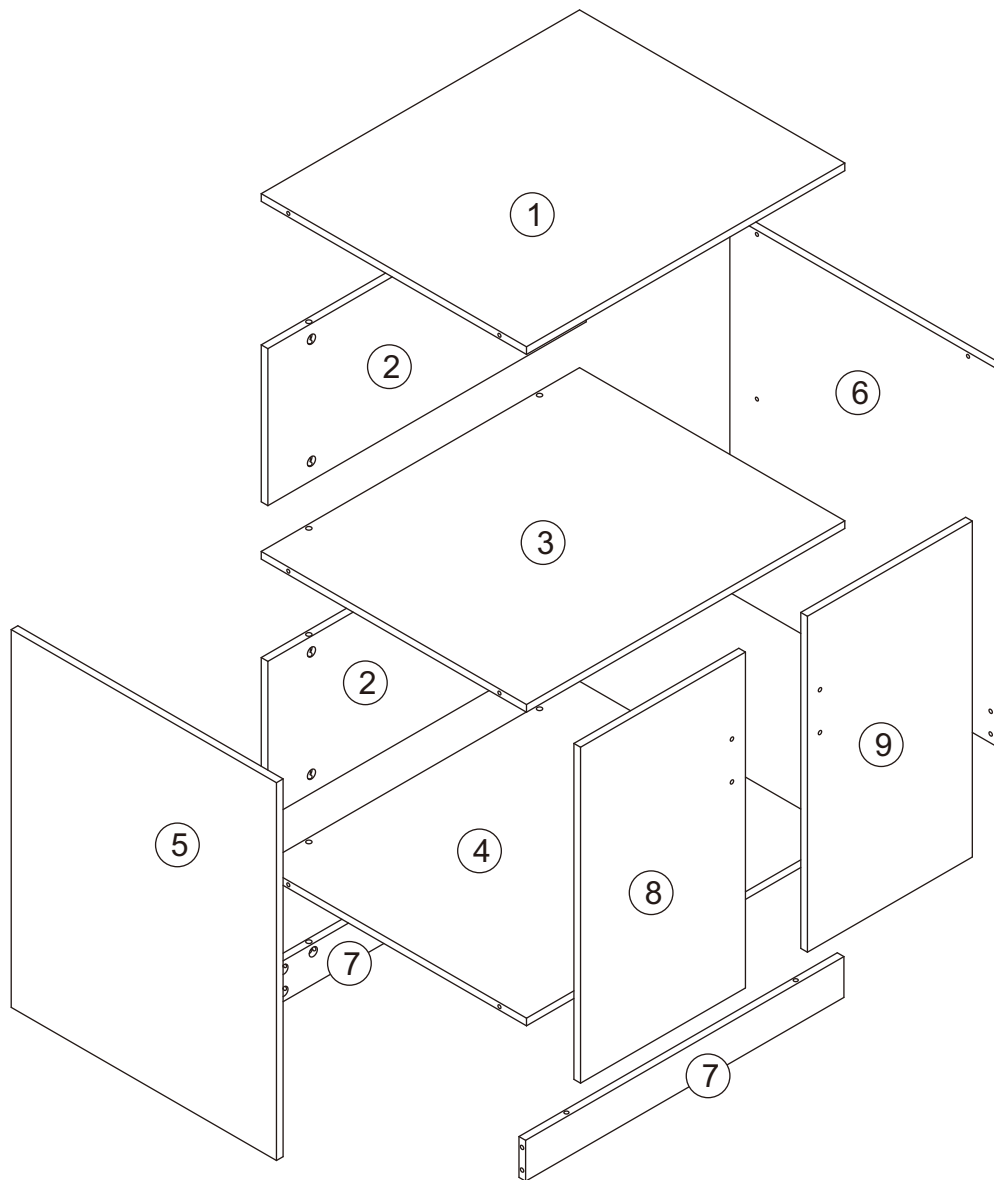


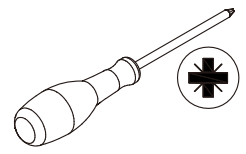
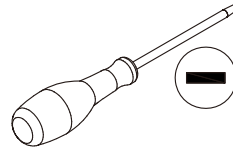
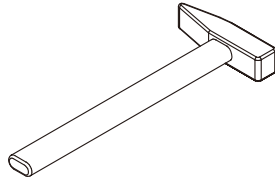
13.



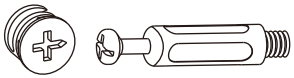


P29-P36

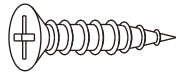




Ax28

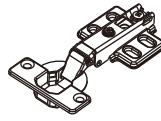


Bx24



3.5*14

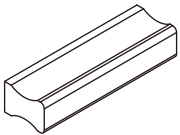
Cx4



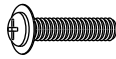
Dx6



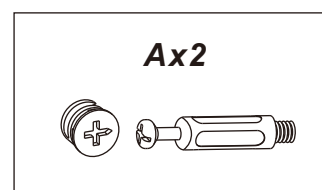
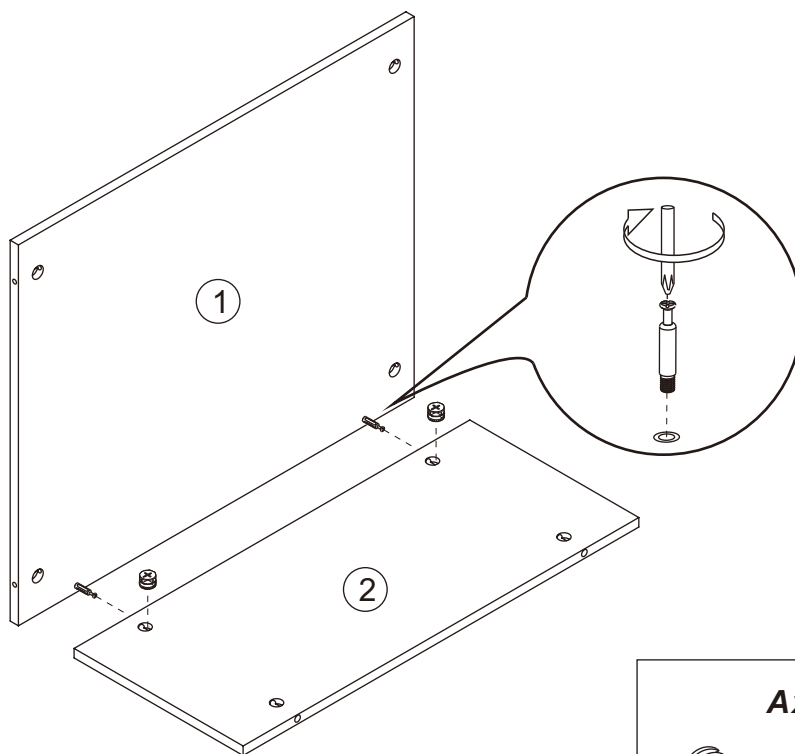
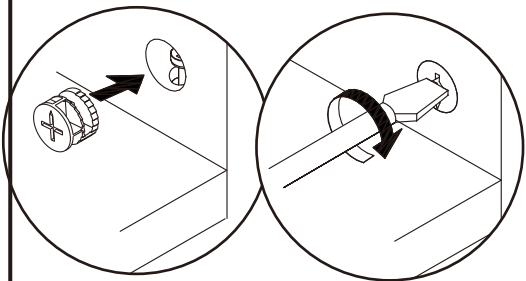
Ex2



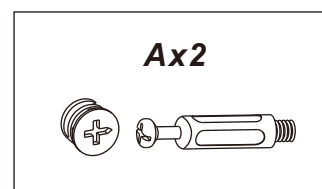
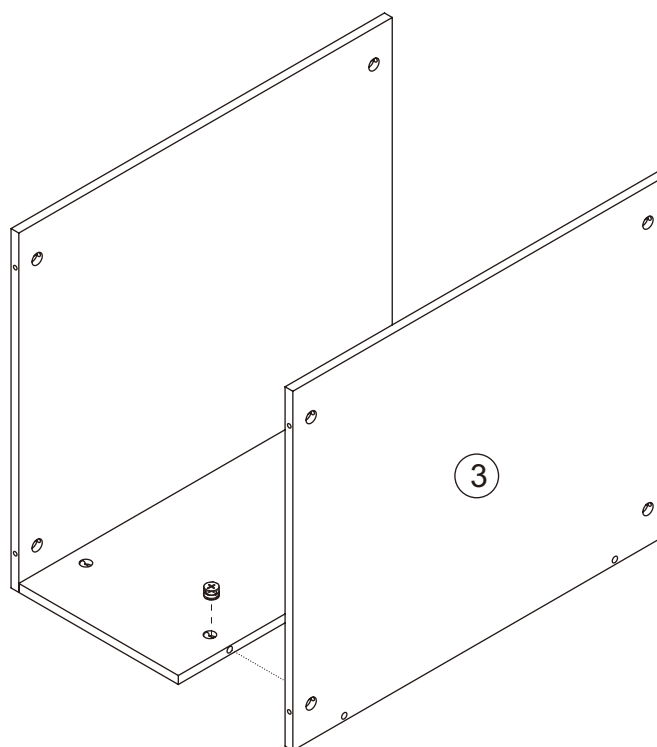
Fx4



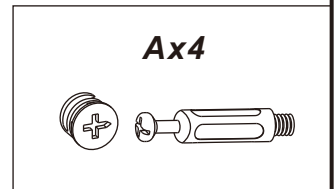
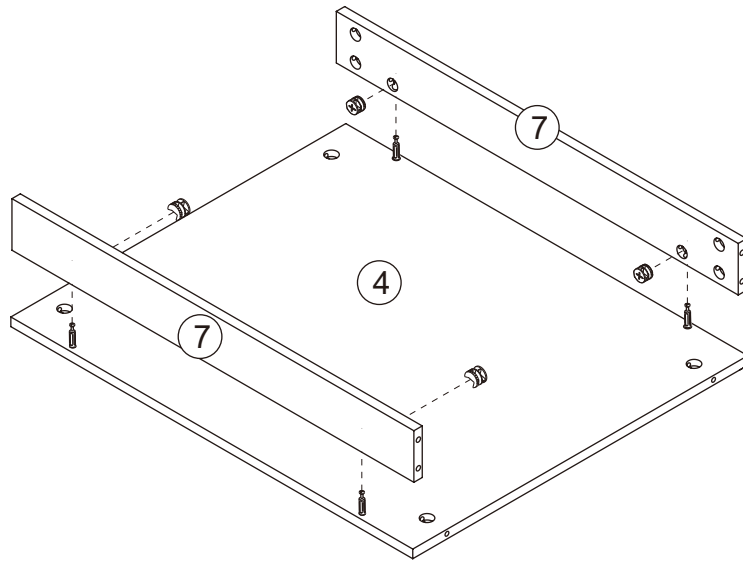
1.



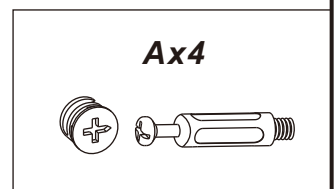
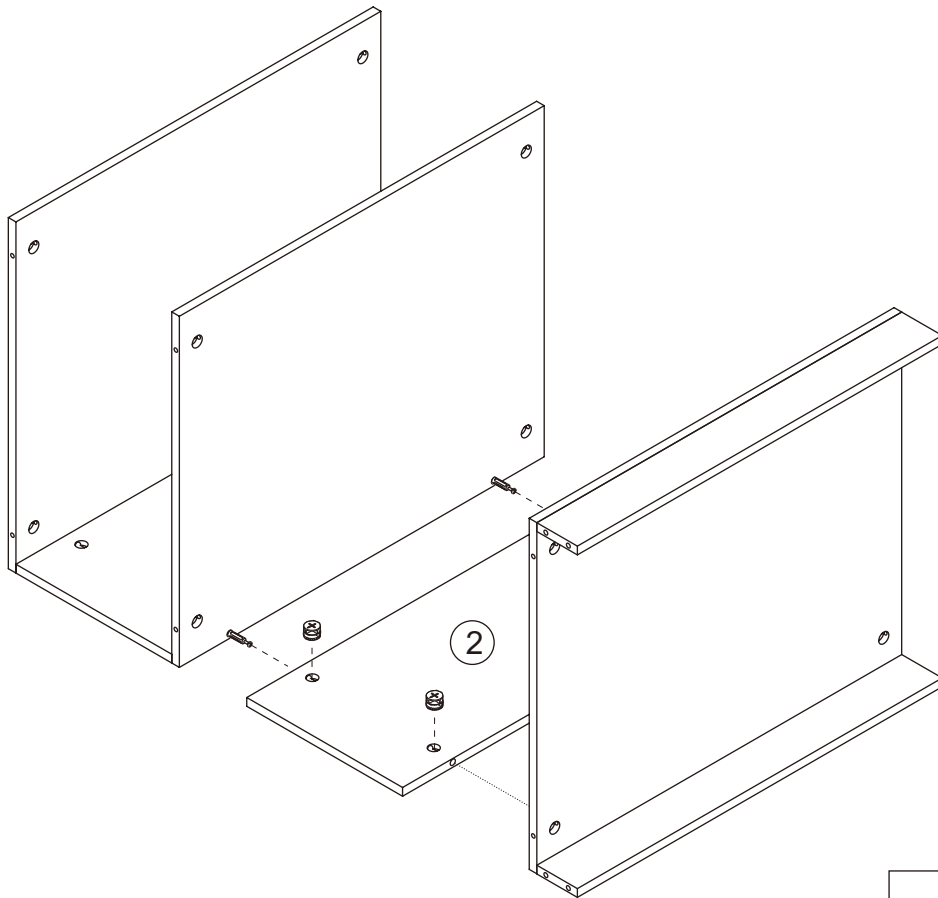
2.



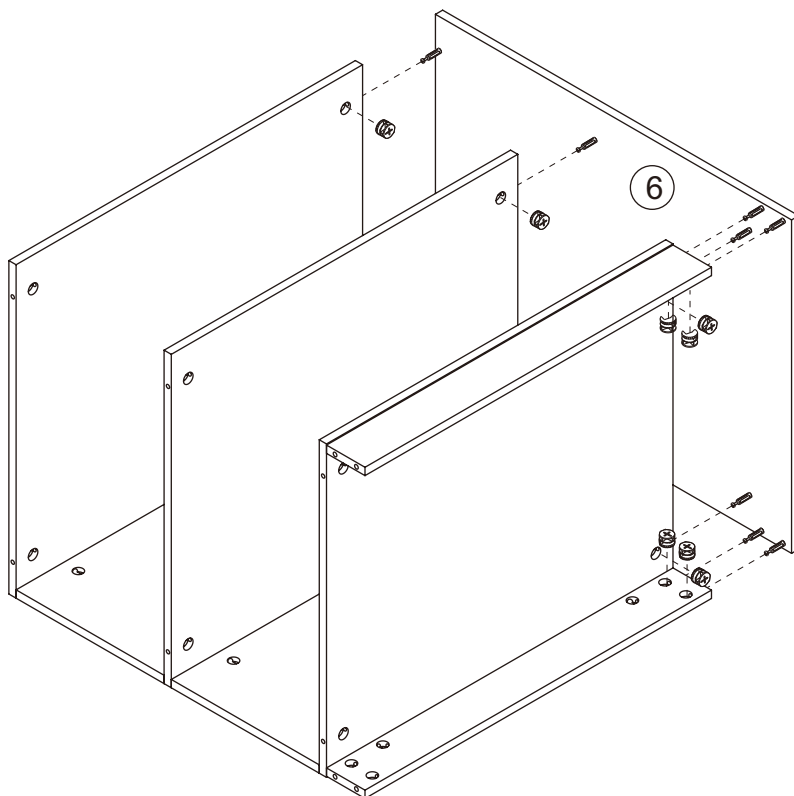
3.



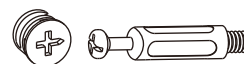
4.



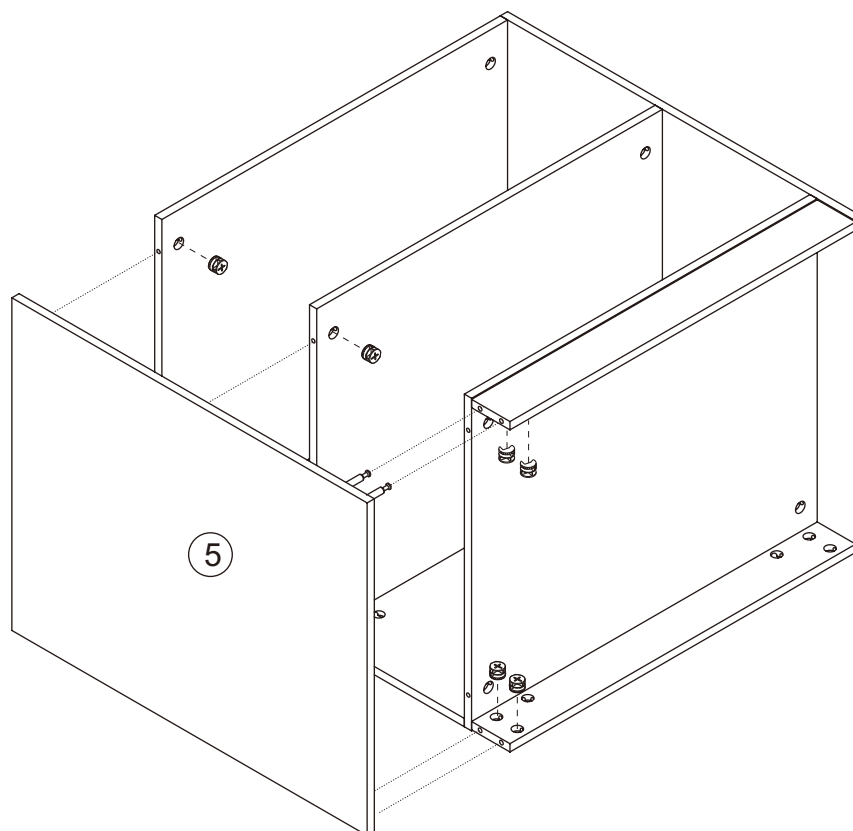
5.



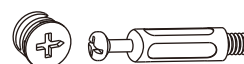
Ax10



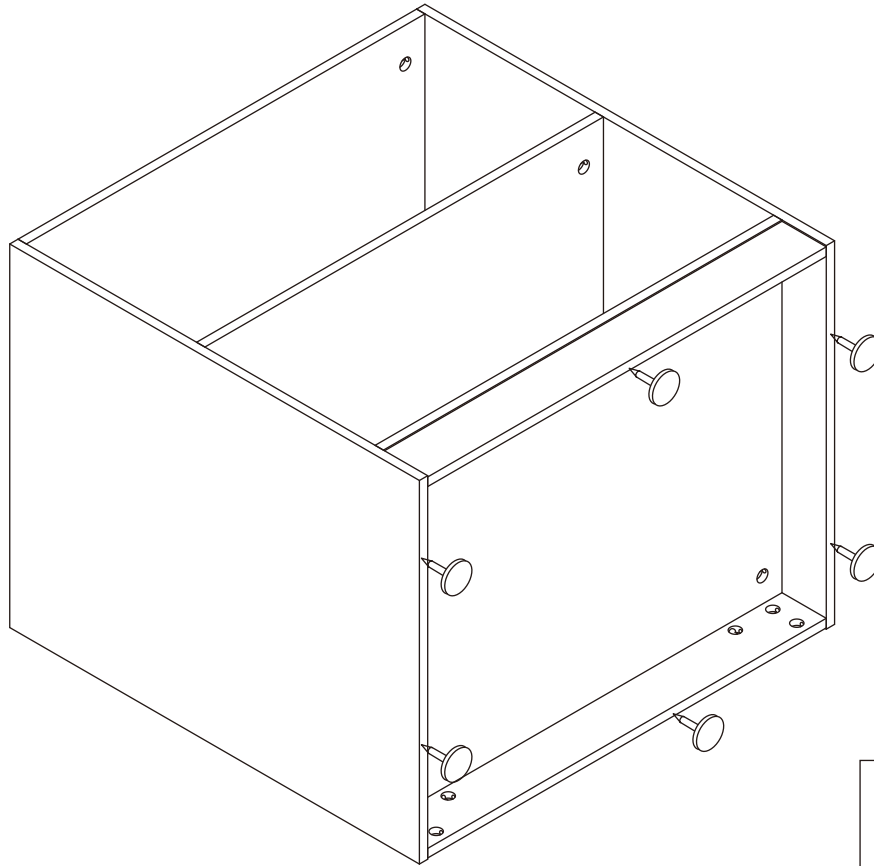
6.



Ax10



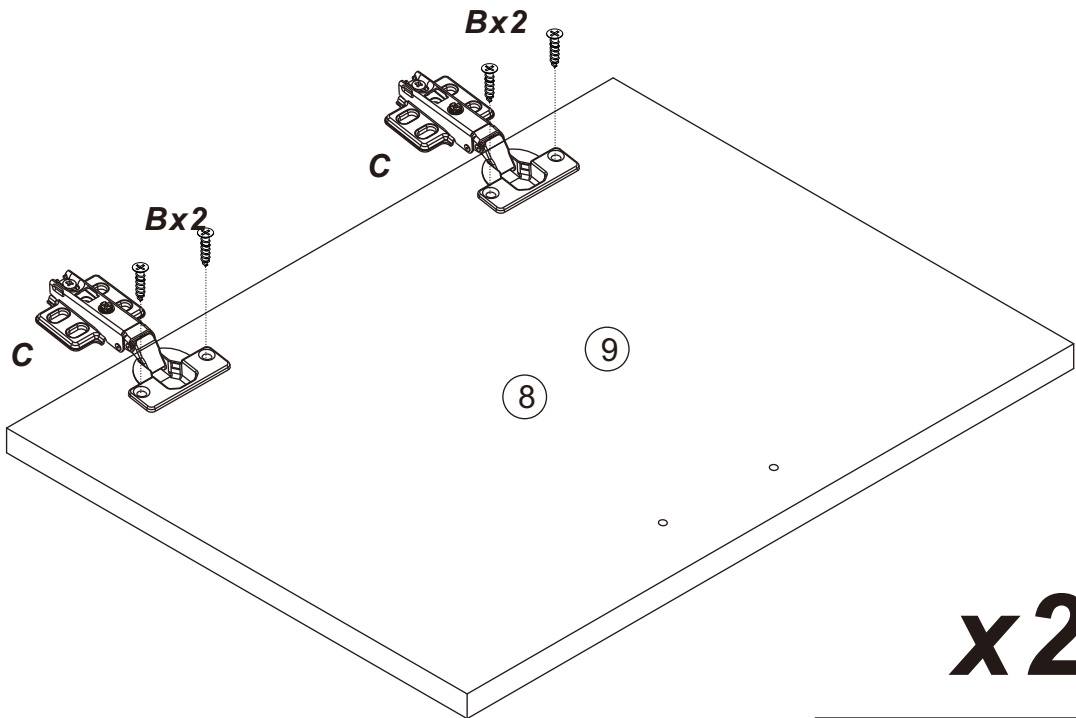
7.



Dx6



8.



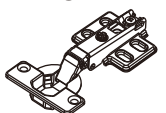
x2

Rx8

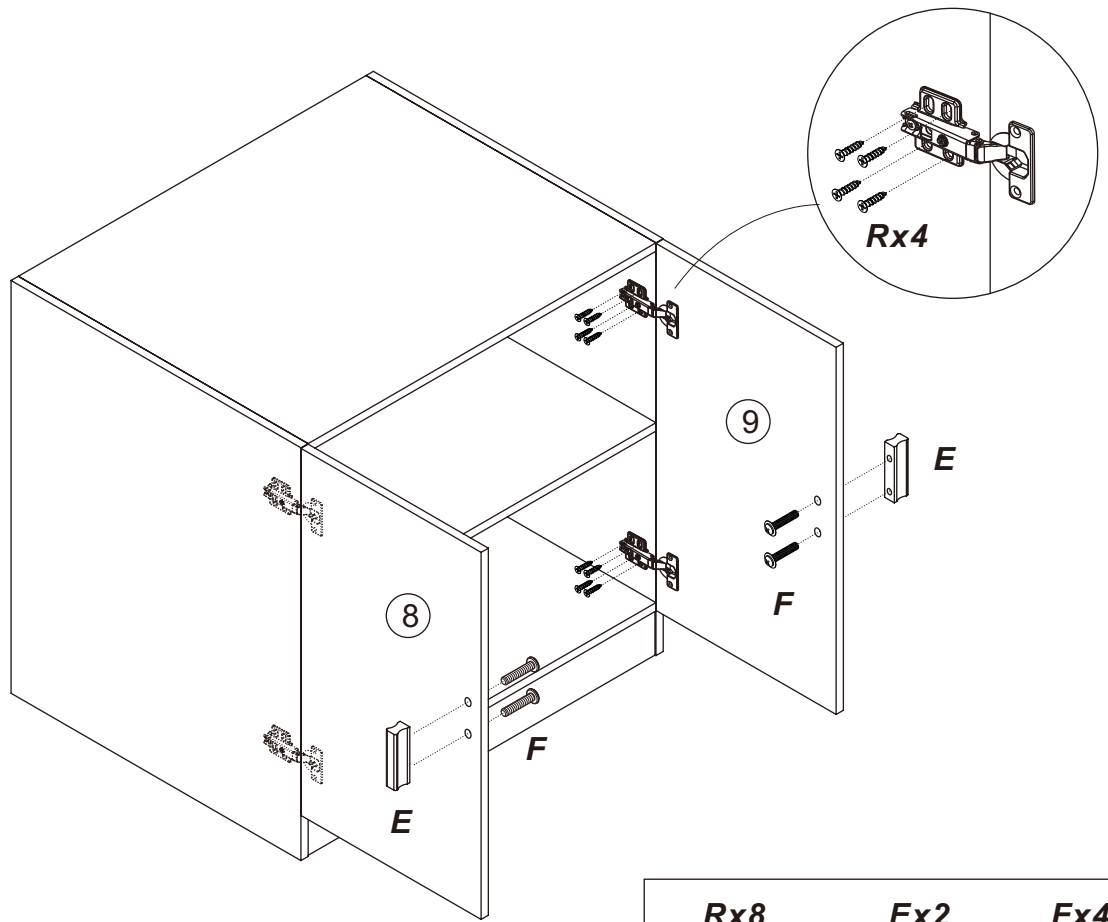



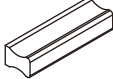

3.5*14

Cx4

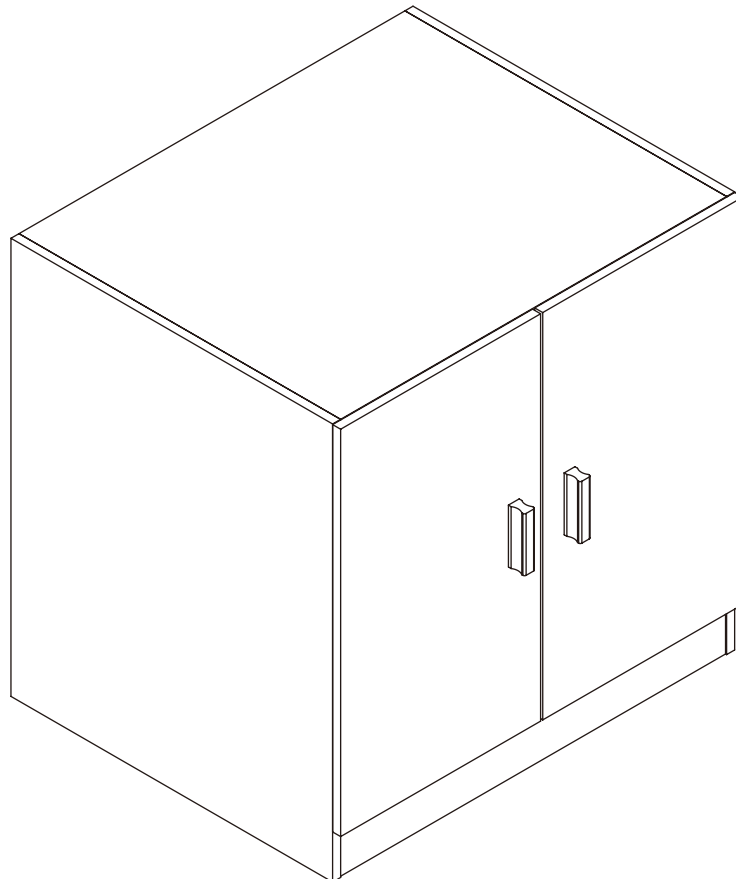


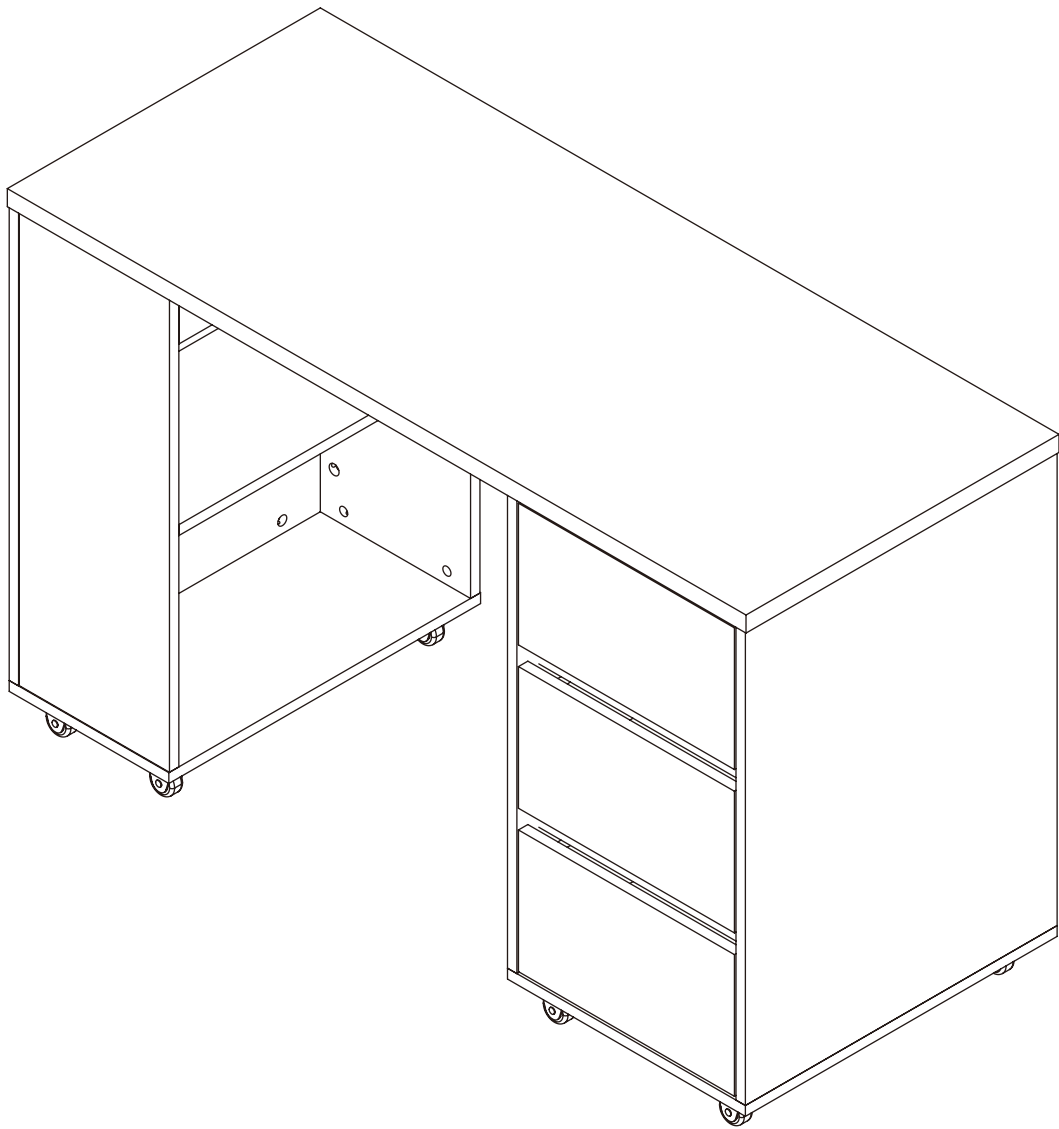
9.



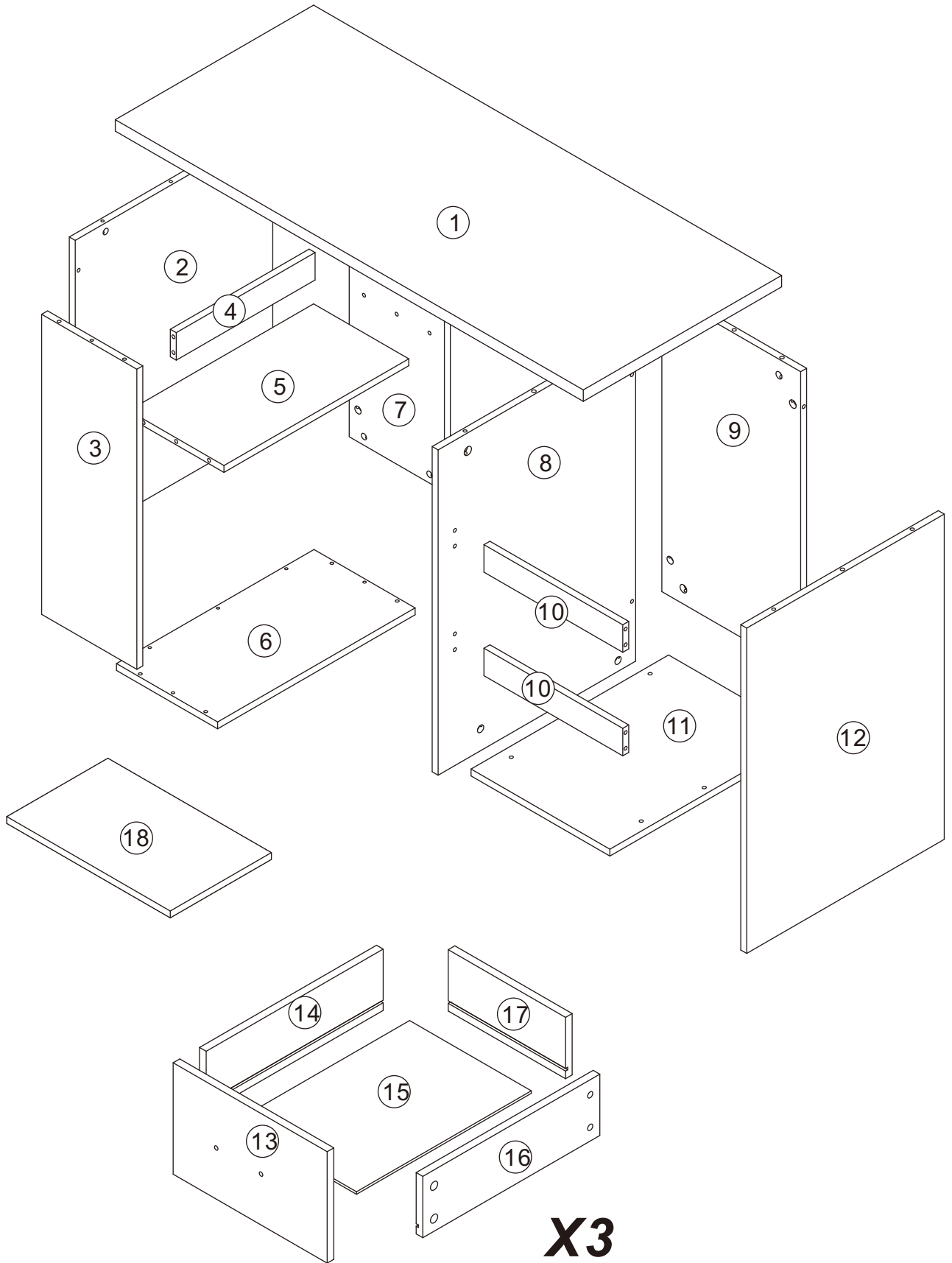
<i>Rx8</i>	<i>Ex2</i>	<i>Fx4</i>
		
3.5*14		

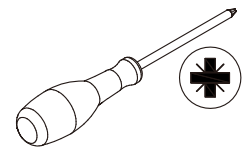
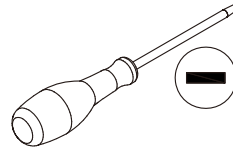
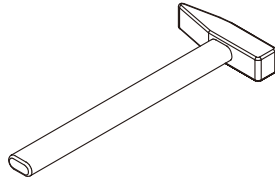
10.



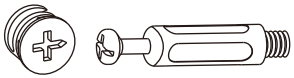


P37-P50





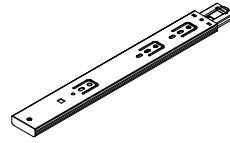
Ax48



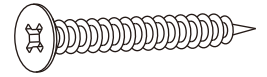
Bx12



Cx3

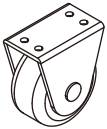


Dx12

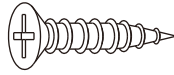


M3.5*35

Ex8

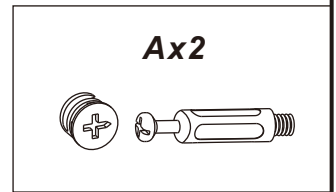
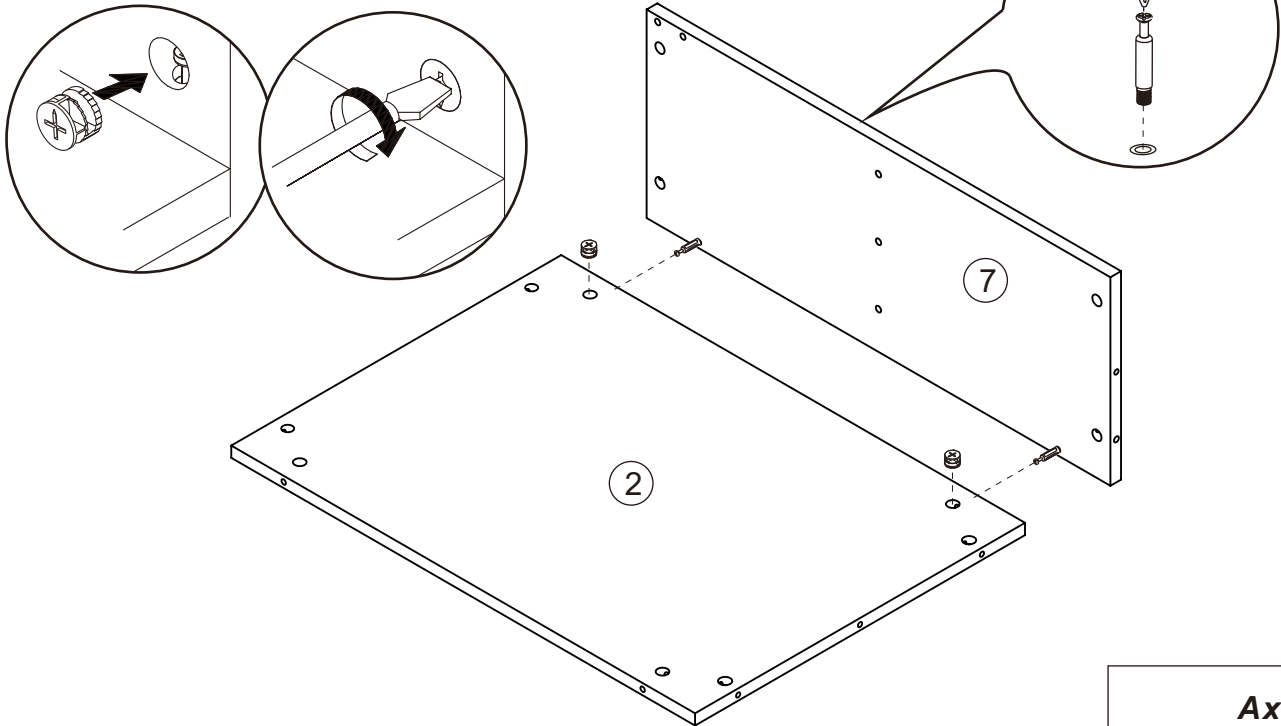


Fx66

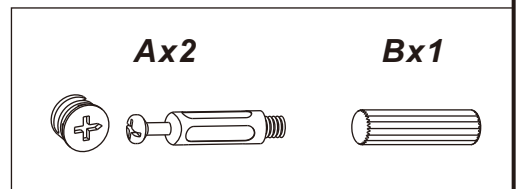
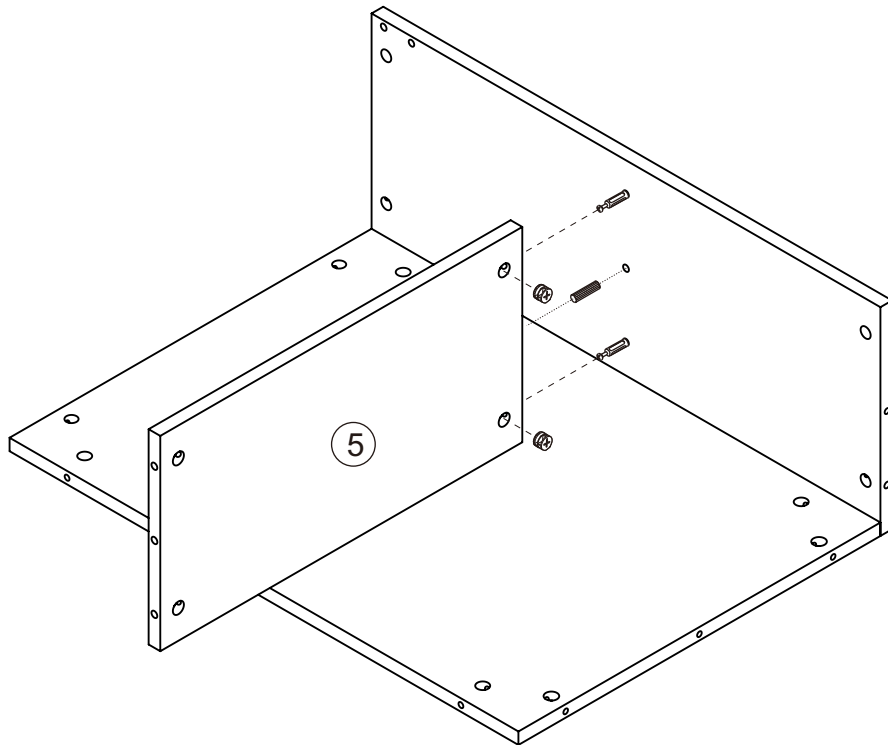


3.5*14

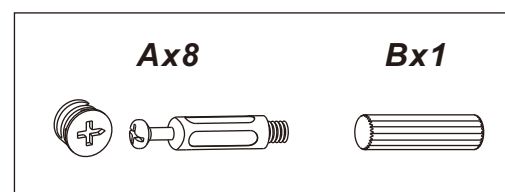
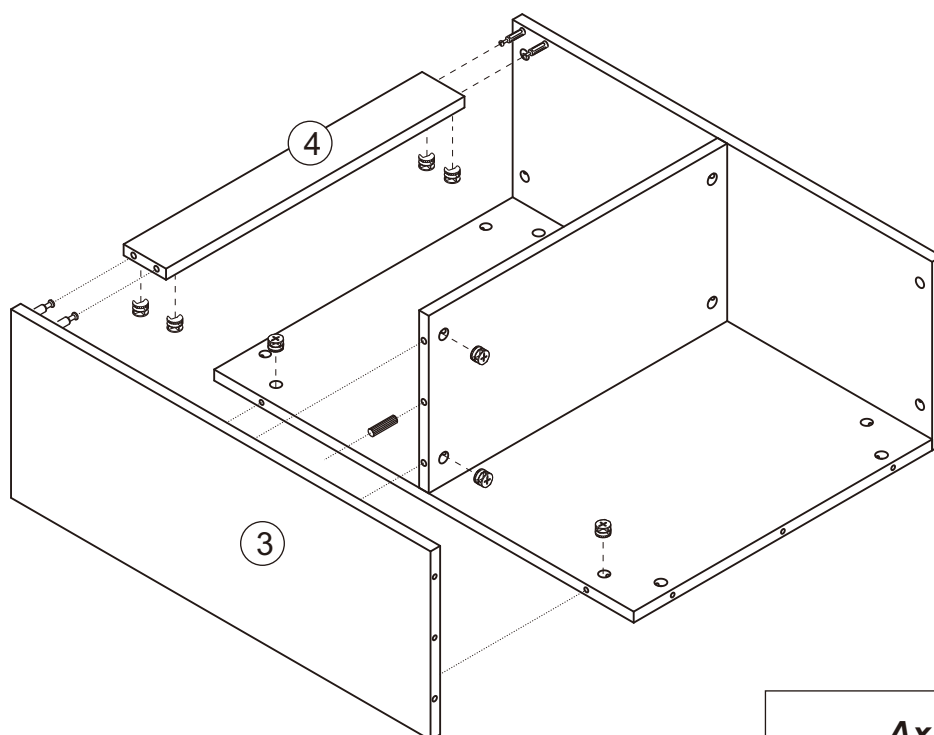
1.



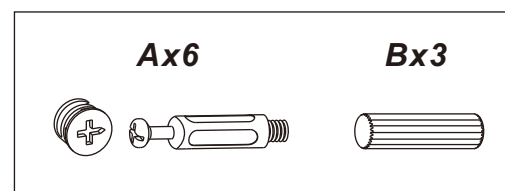
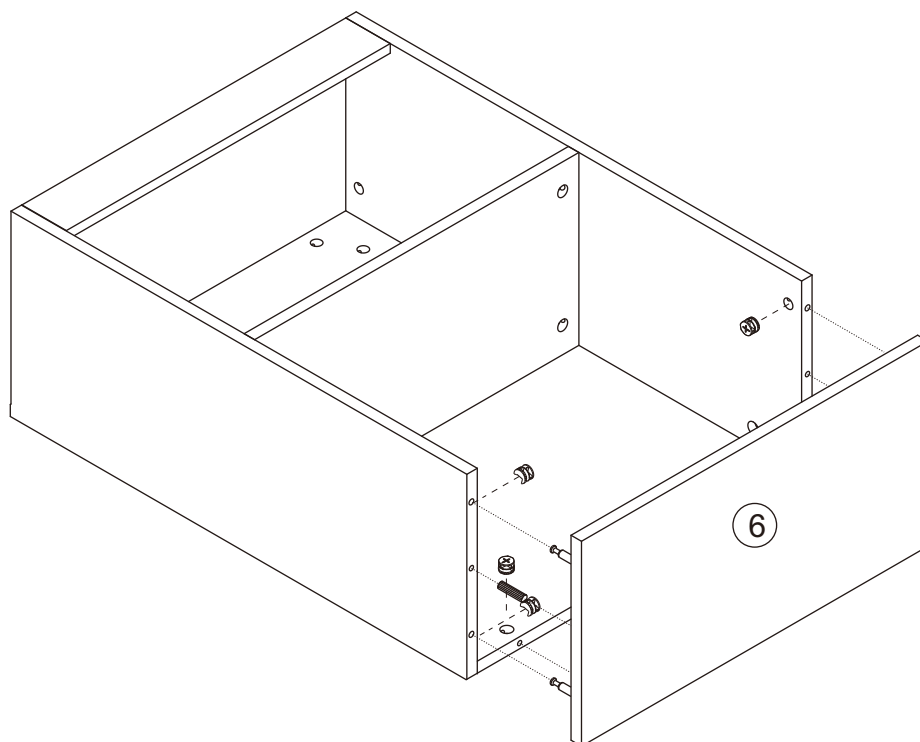
2.



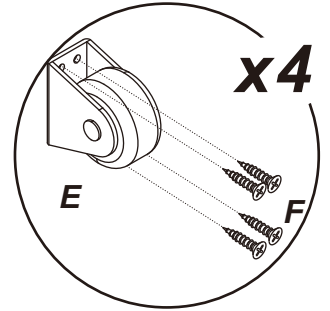
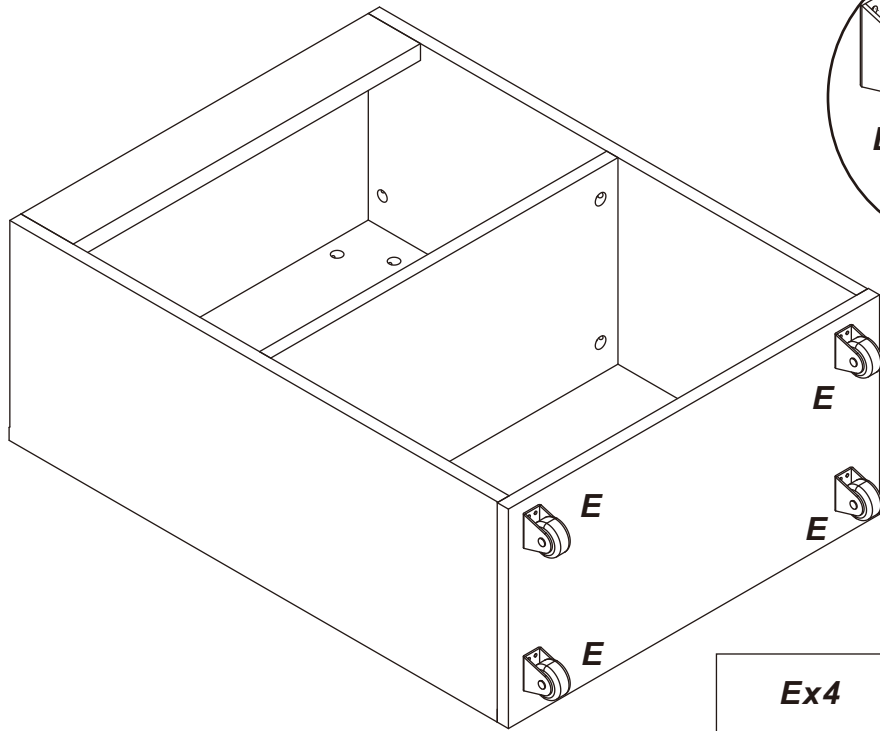
3.



4.



5.



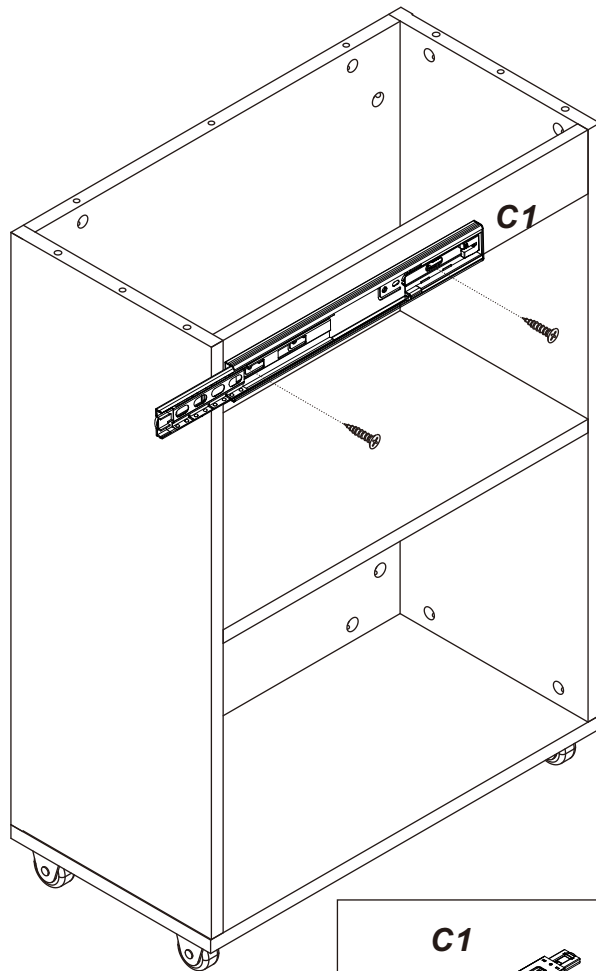
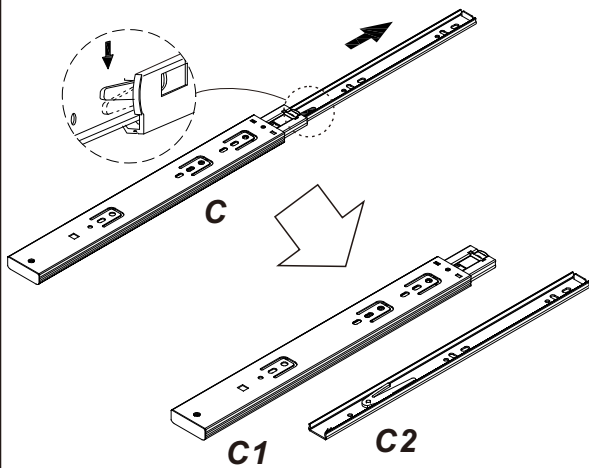
Ex4



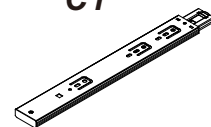
Fx16



3.5*14



C1

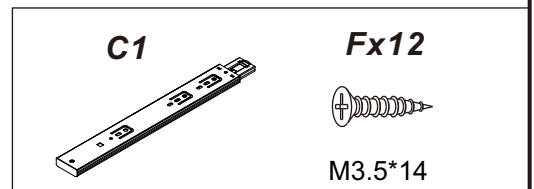
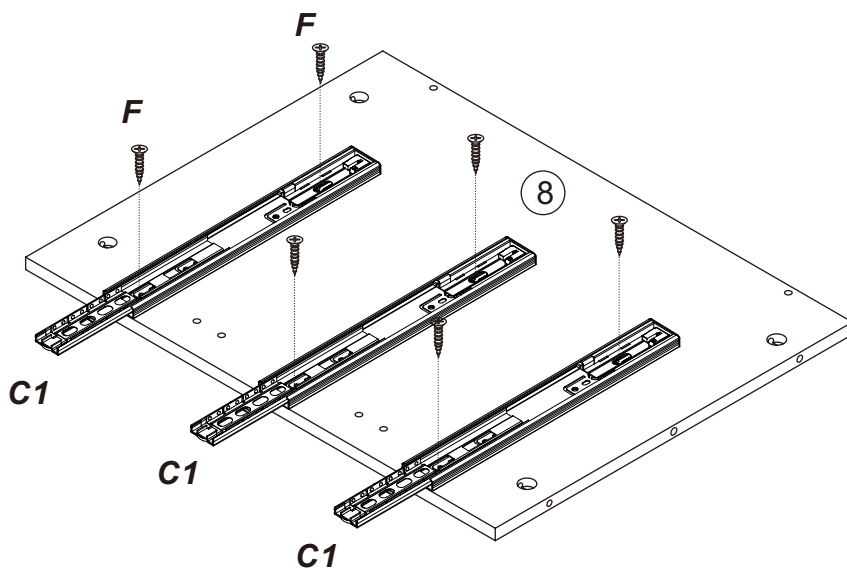
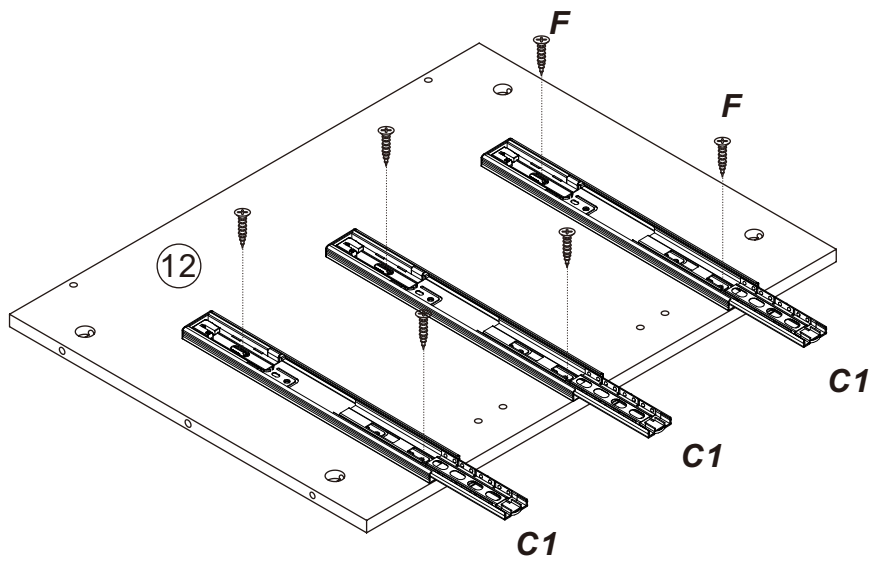
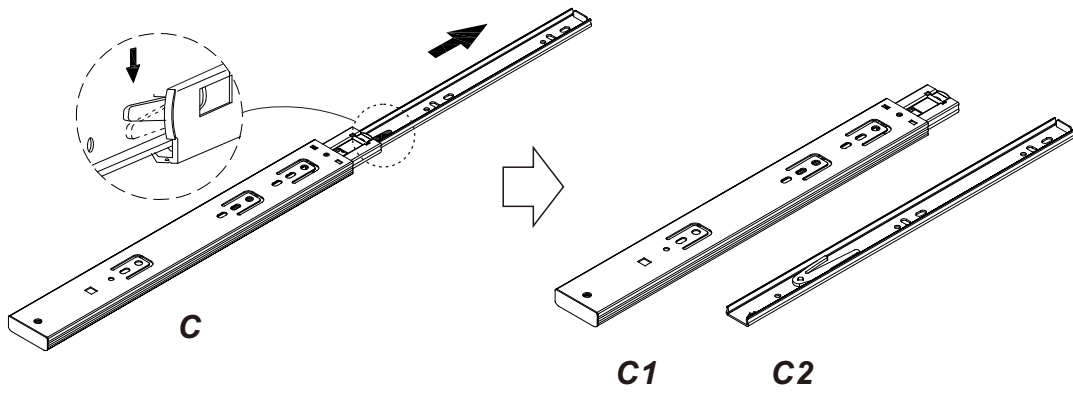


Fx2

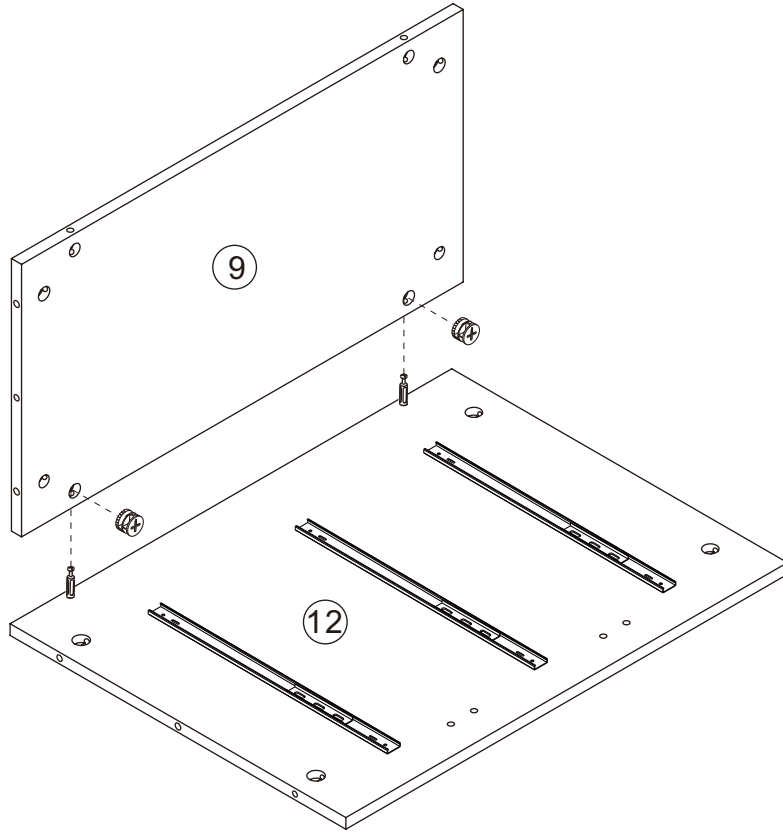


M3.5*14

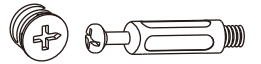
6.



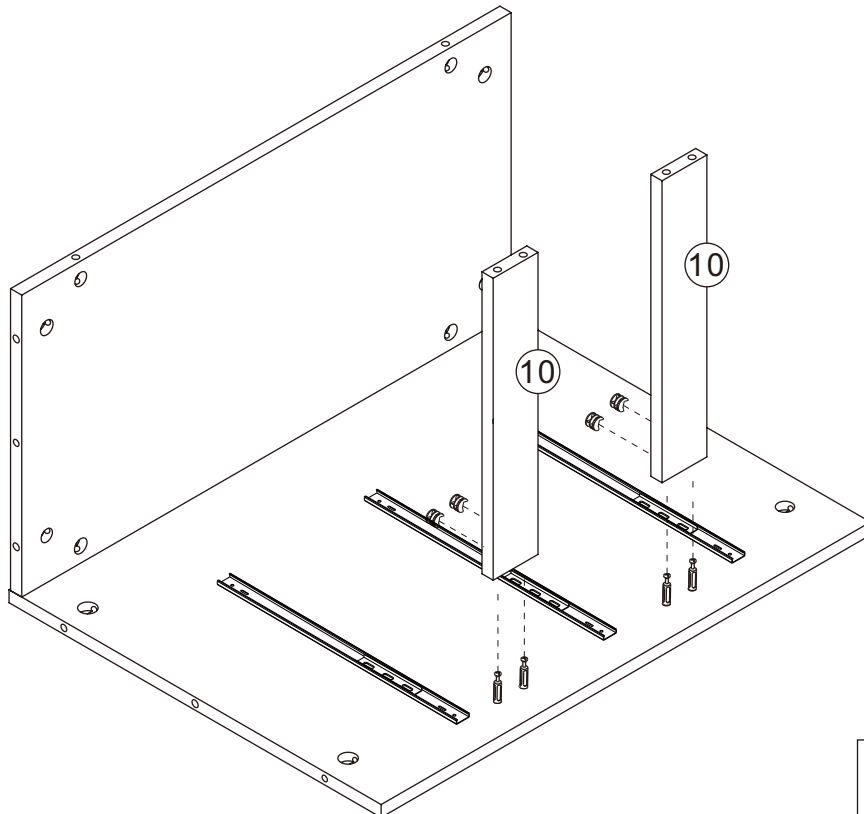
7.



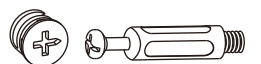
Ax2



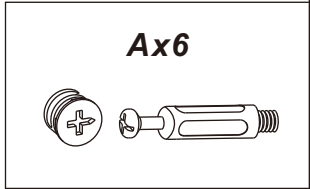
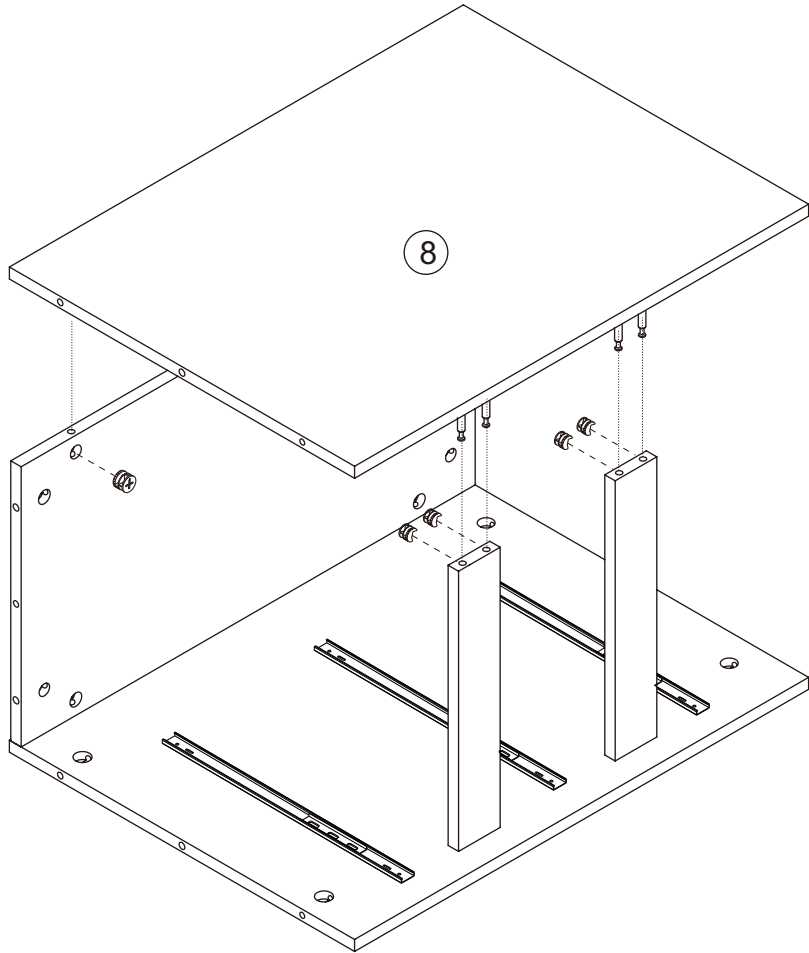
8.



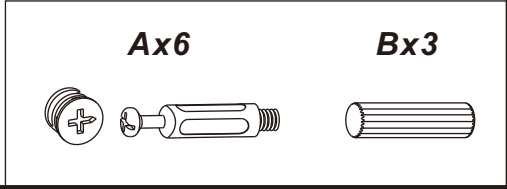
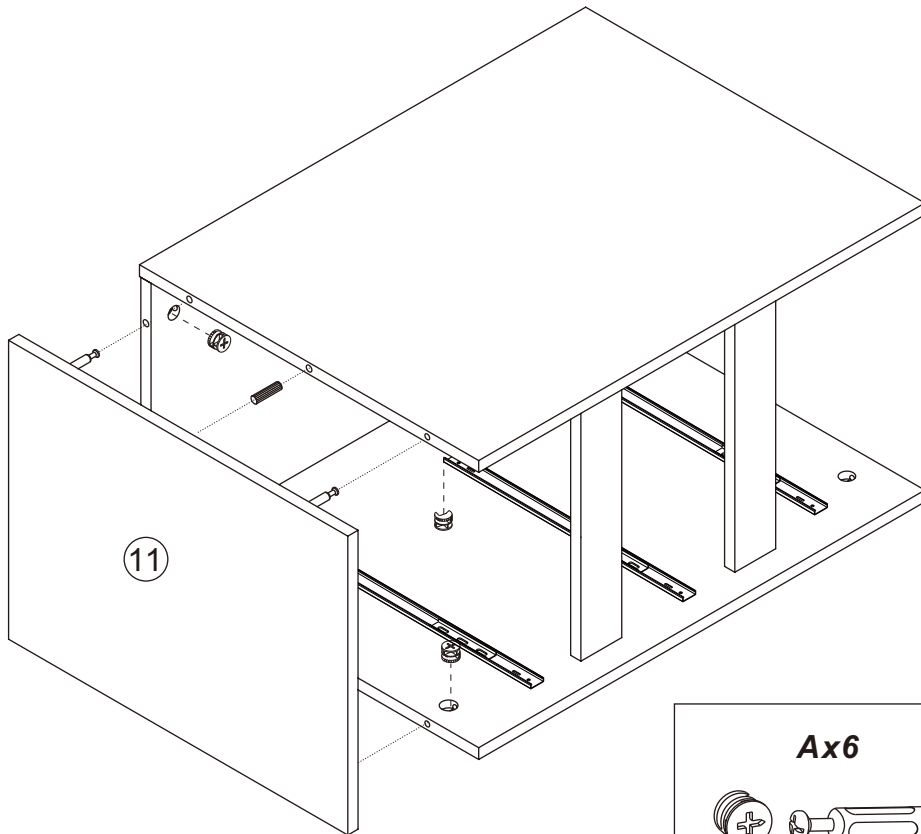
Ax4



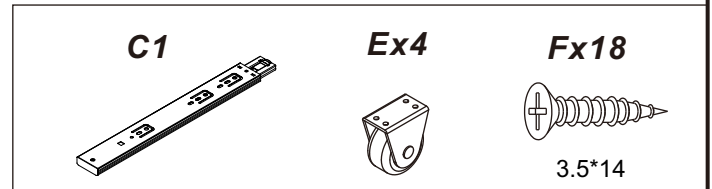
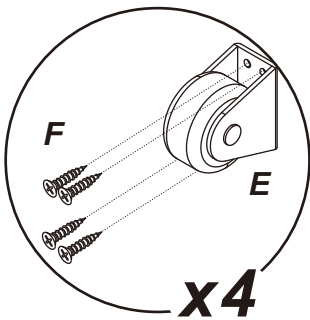
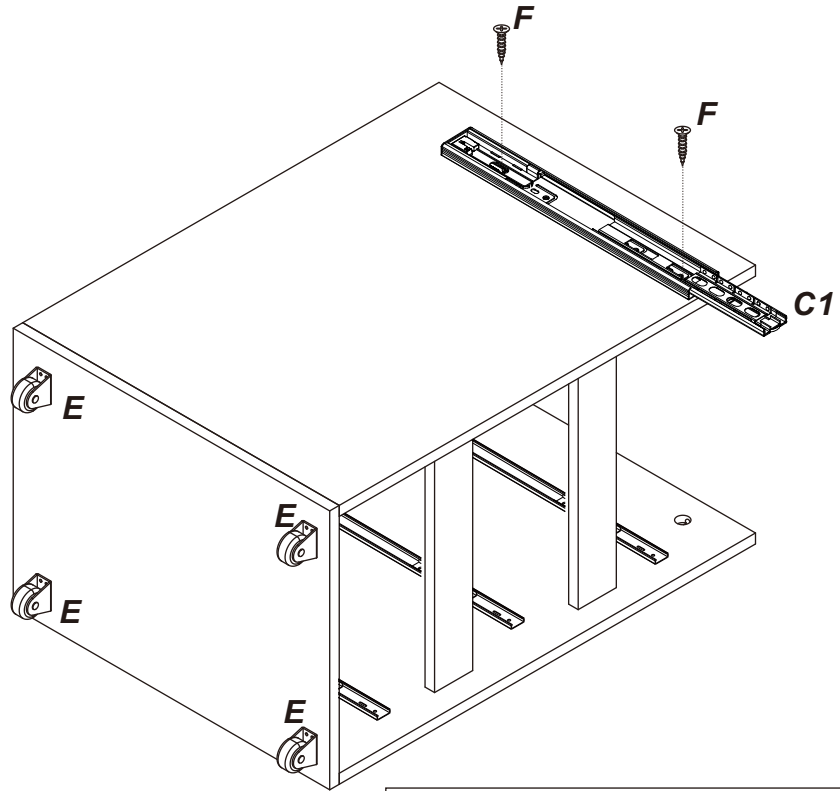
9.



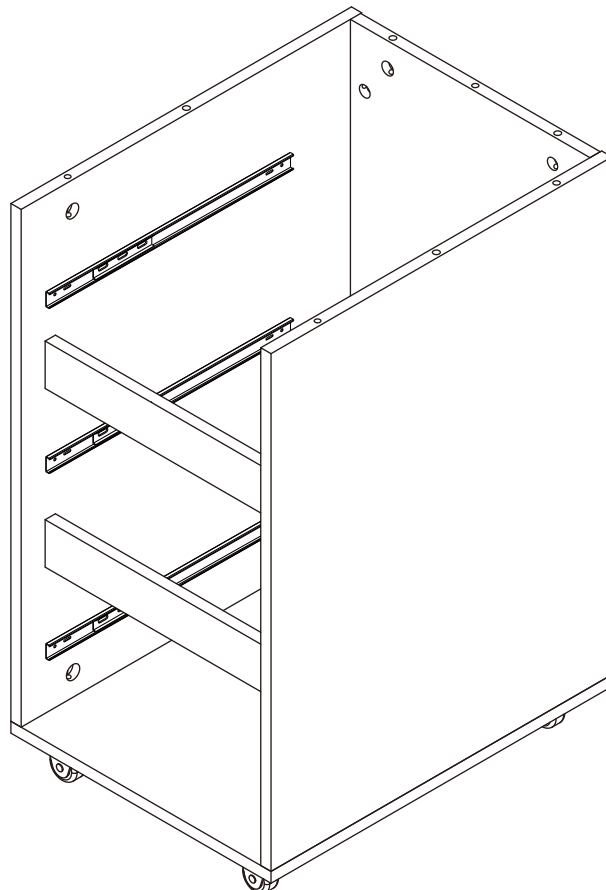
10.



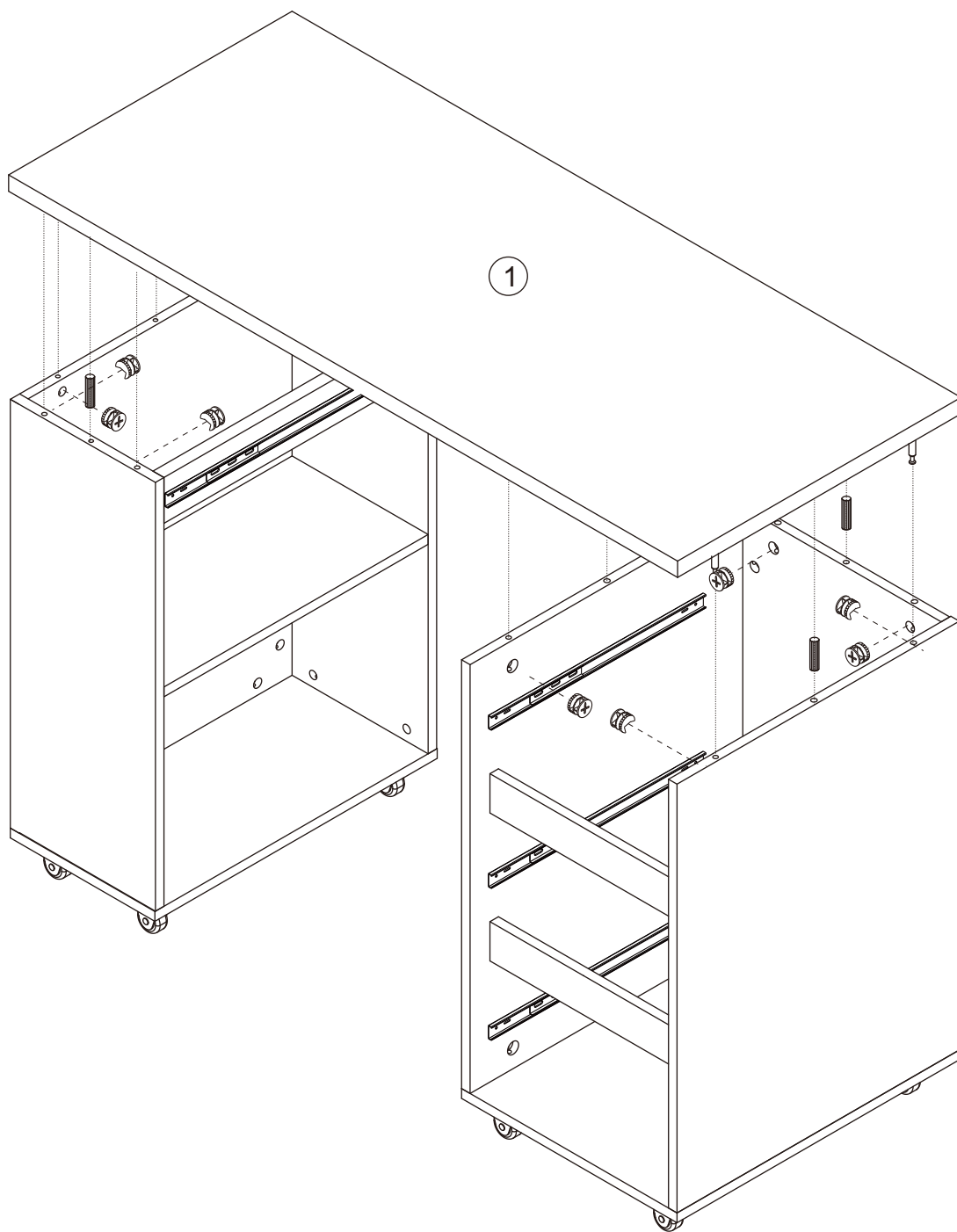
11.



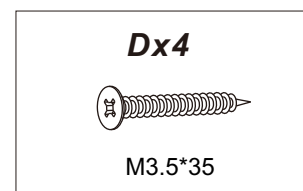
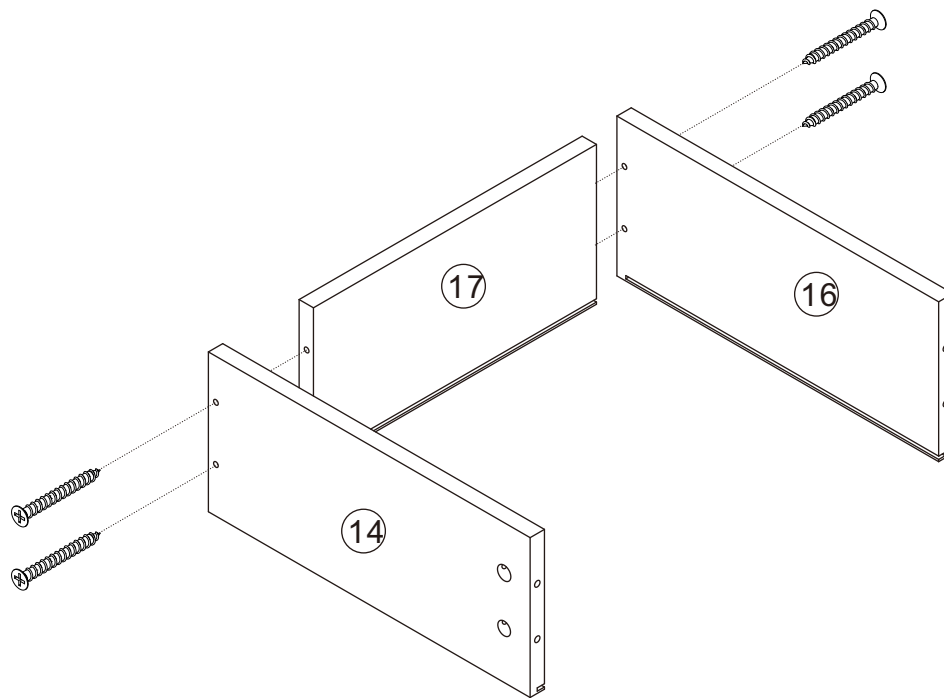
12.



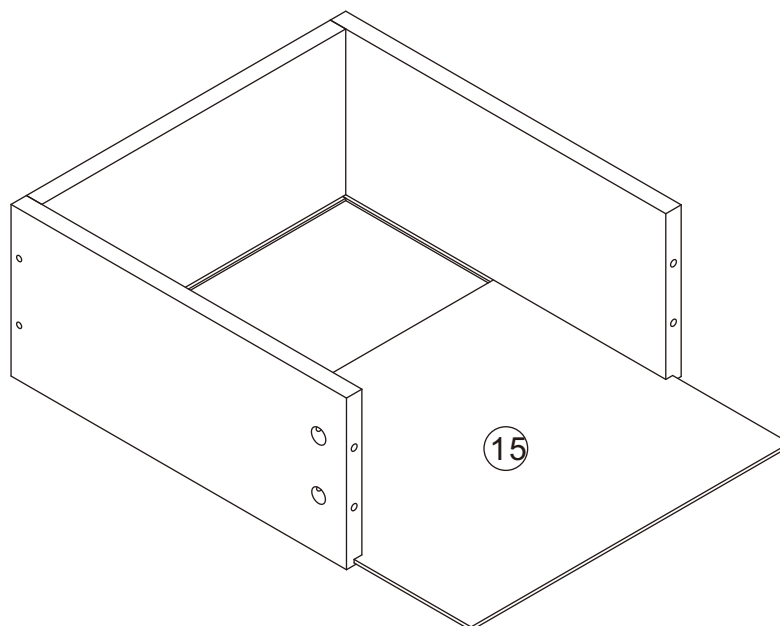
13.



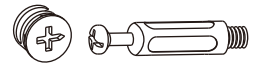
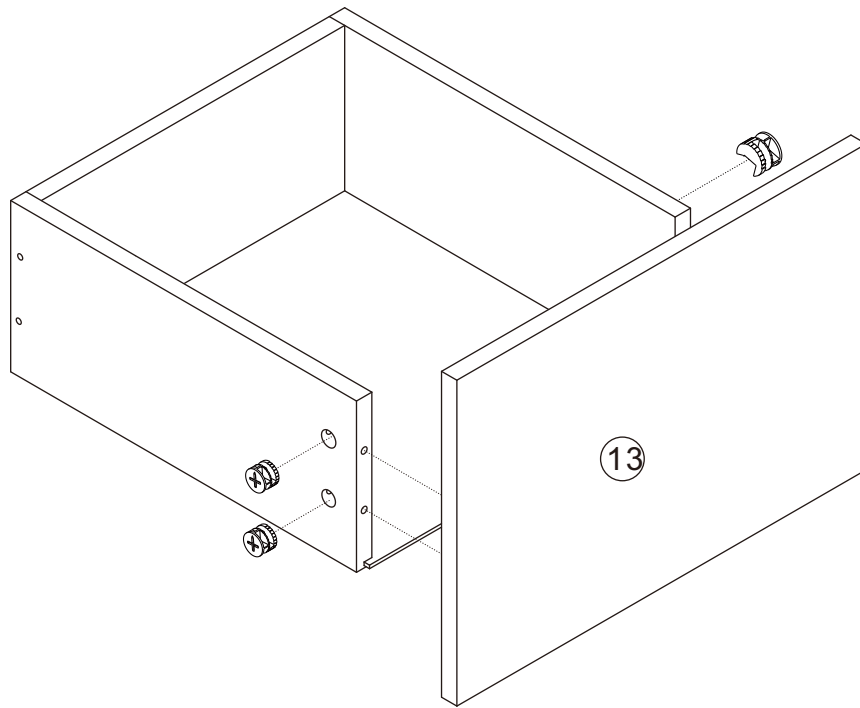
14.



15.

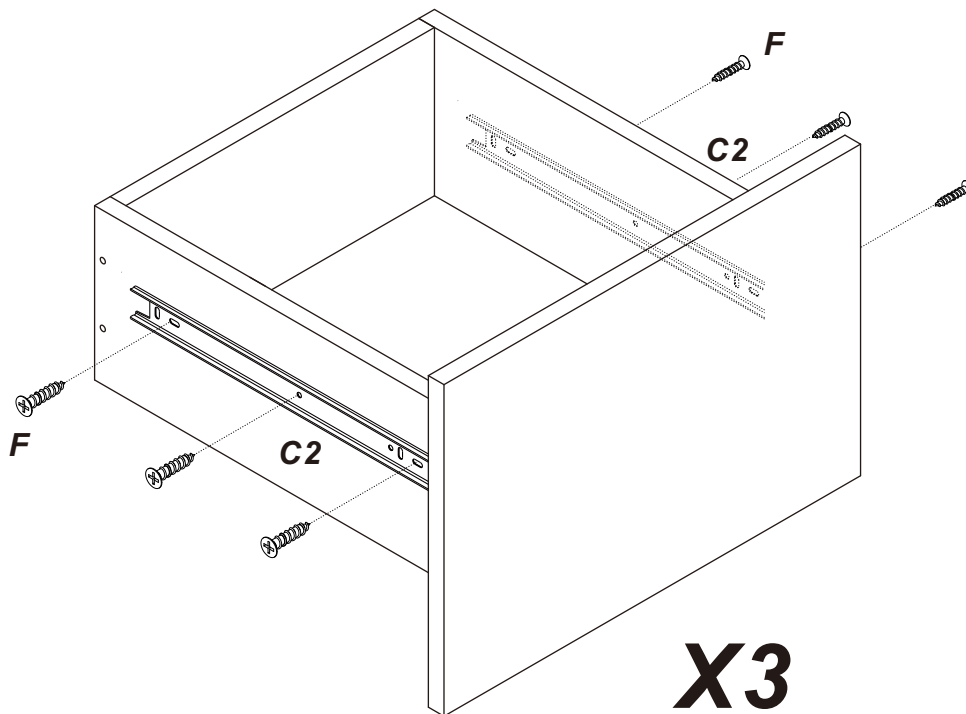


16.



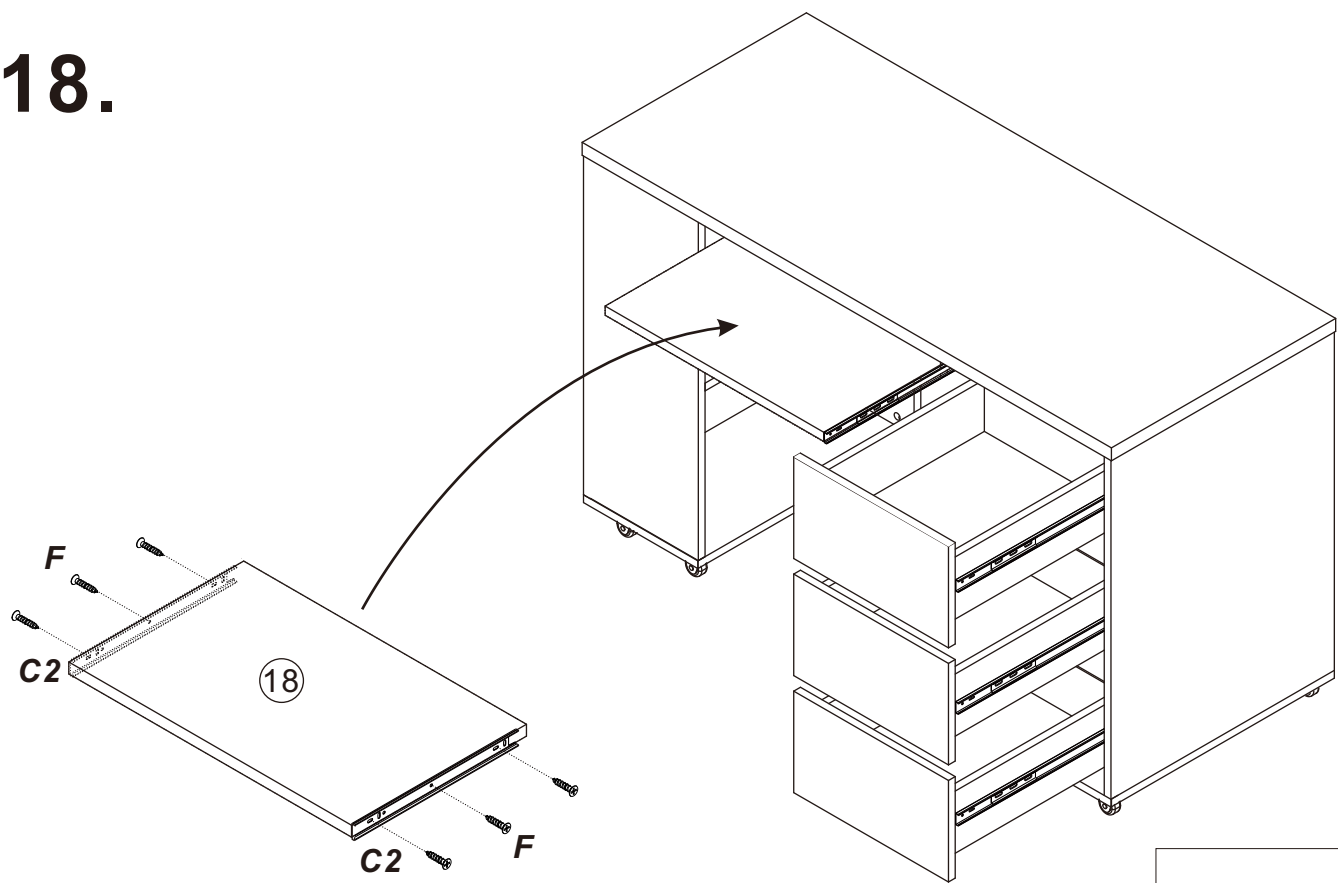
Ax4

17.



3.5*13
Fx6

18.



3.5*13
Fx6

19.

