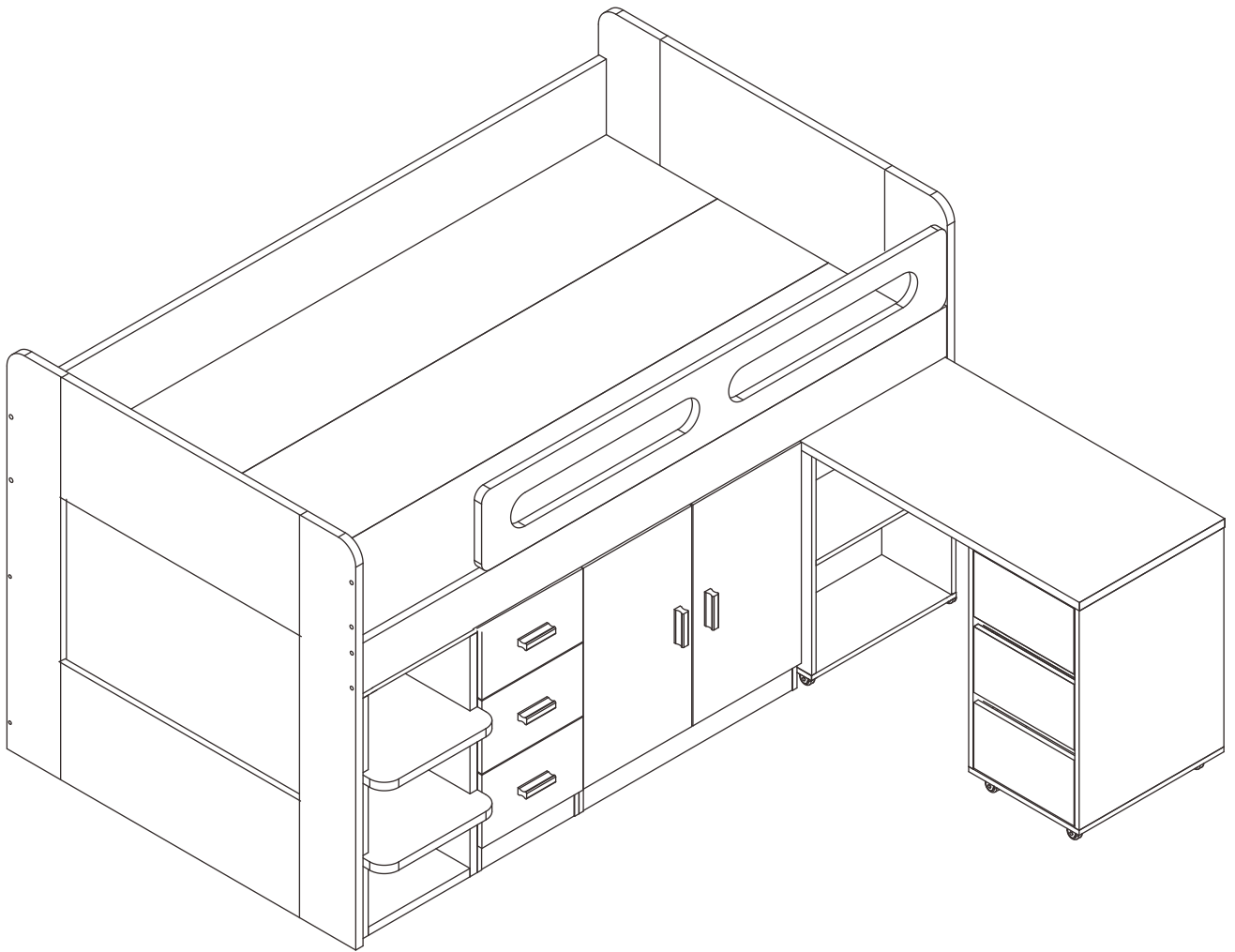
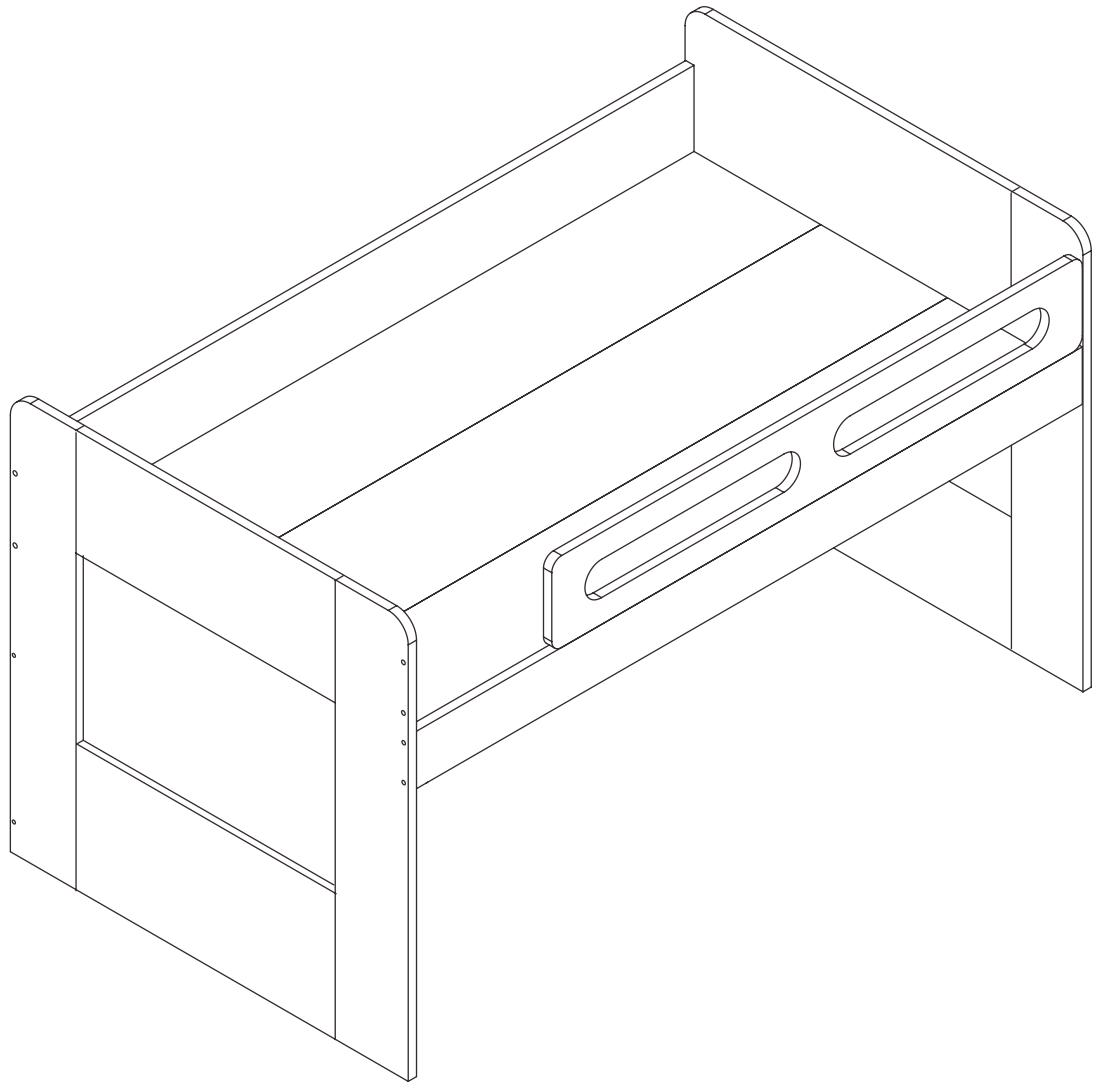
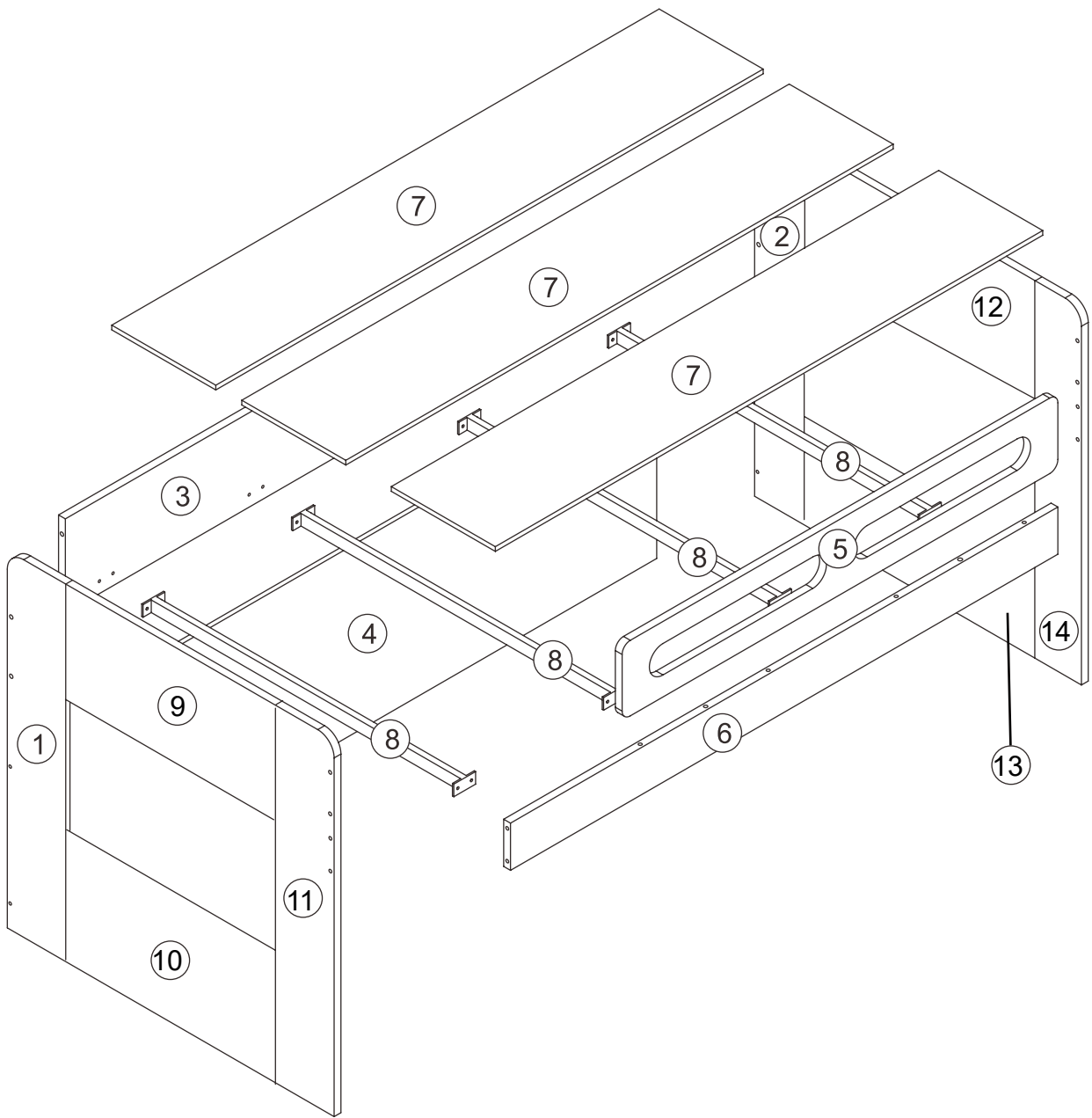


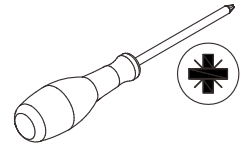
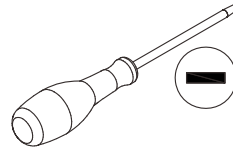
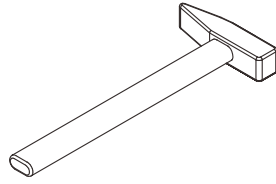
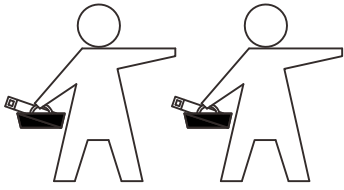
D12



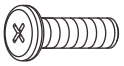


P2-P10



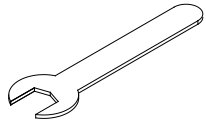


Ax16

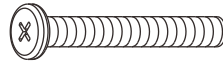


M6x20

Bx1

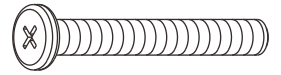


Cx4



M6x60

Dx8



M8*60

Ex16



#8

Fx3

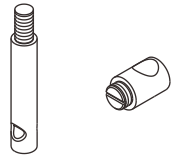


#6

Gx20



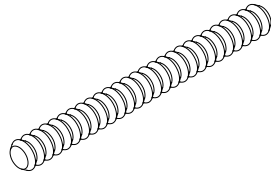
Hx4



Jx10



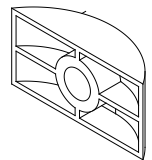
Kx16



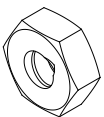
Nx16



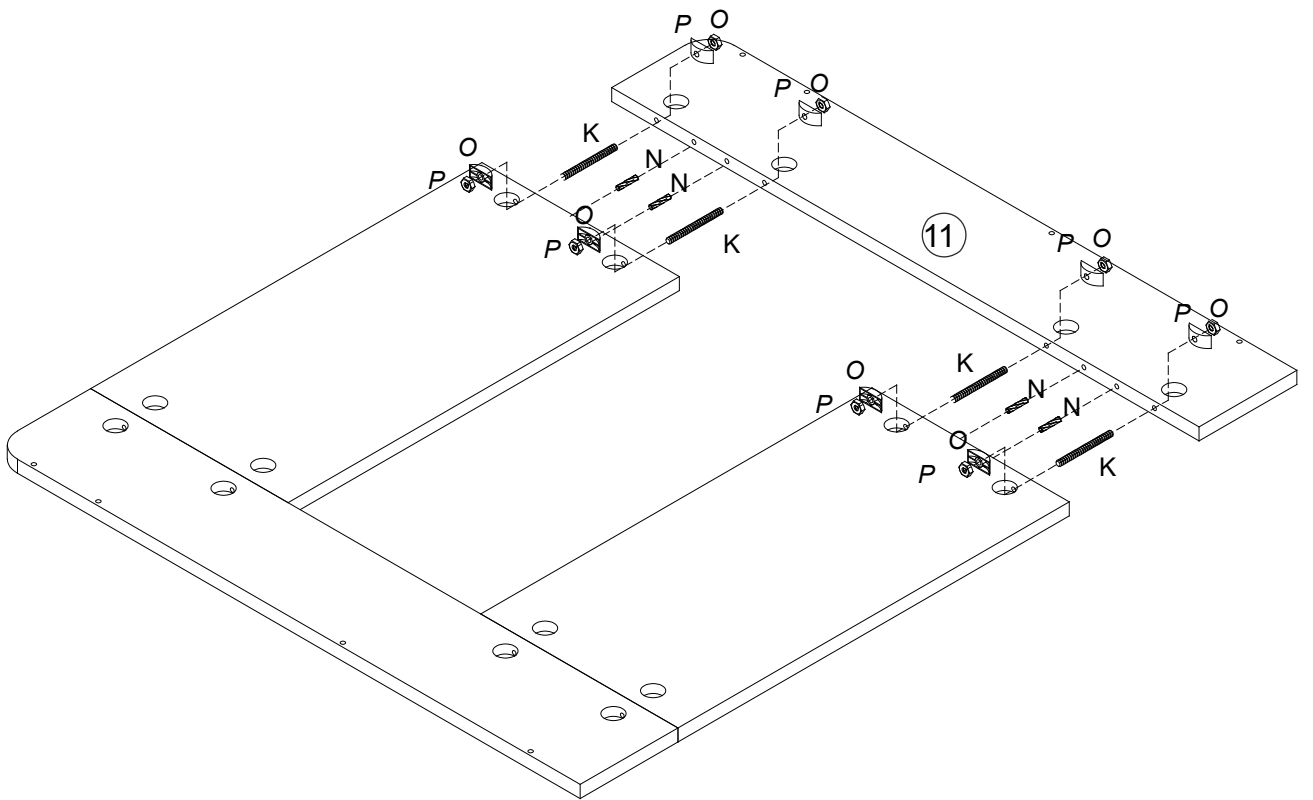
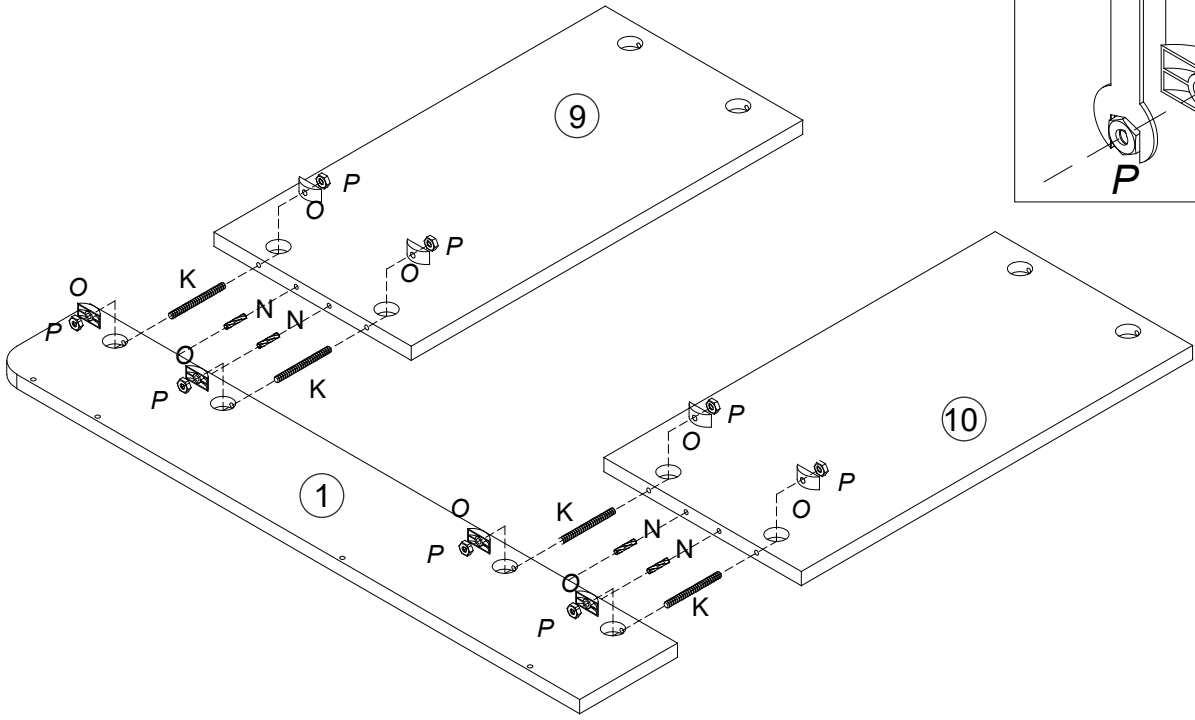
Ox32




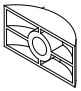


Px32

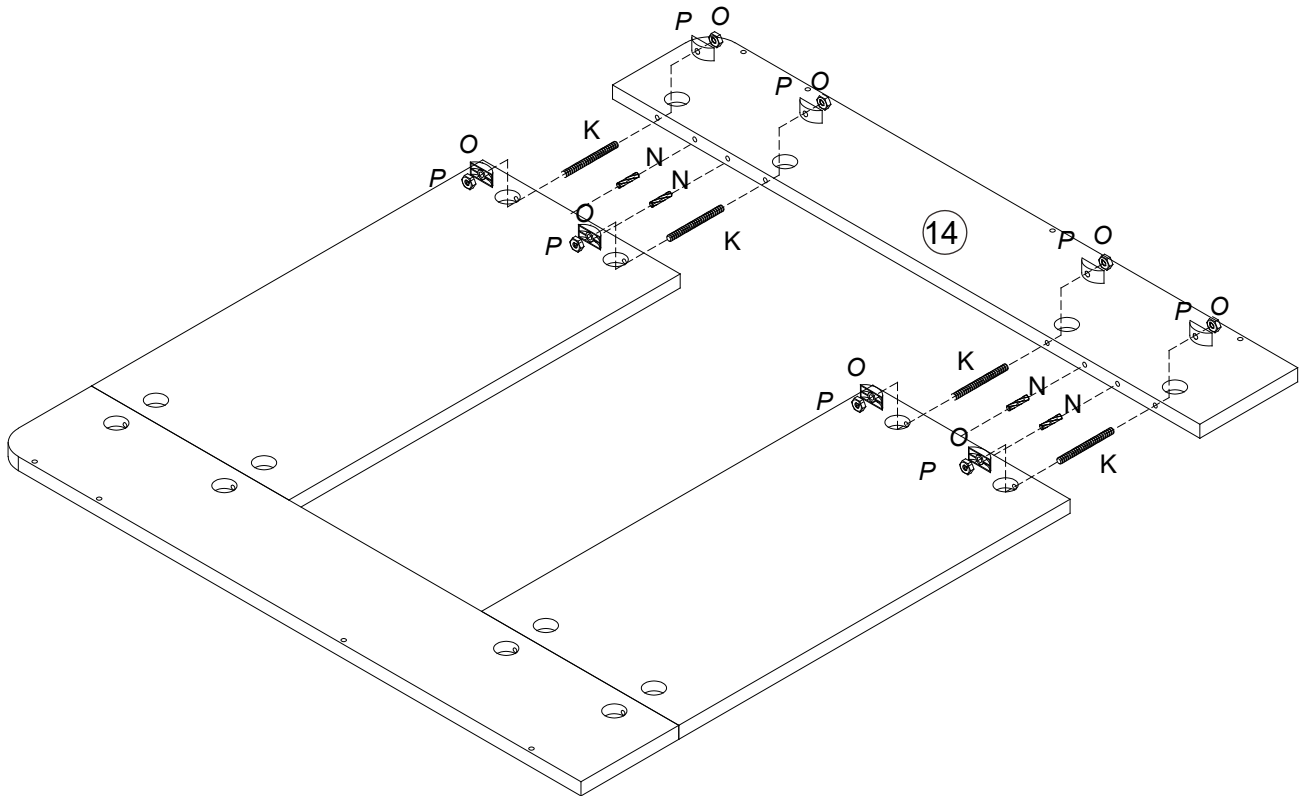
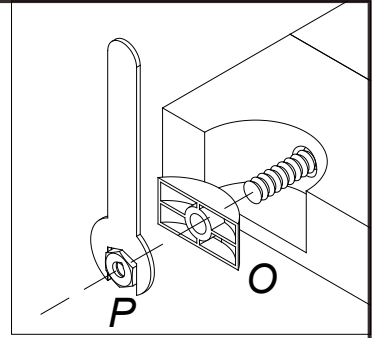
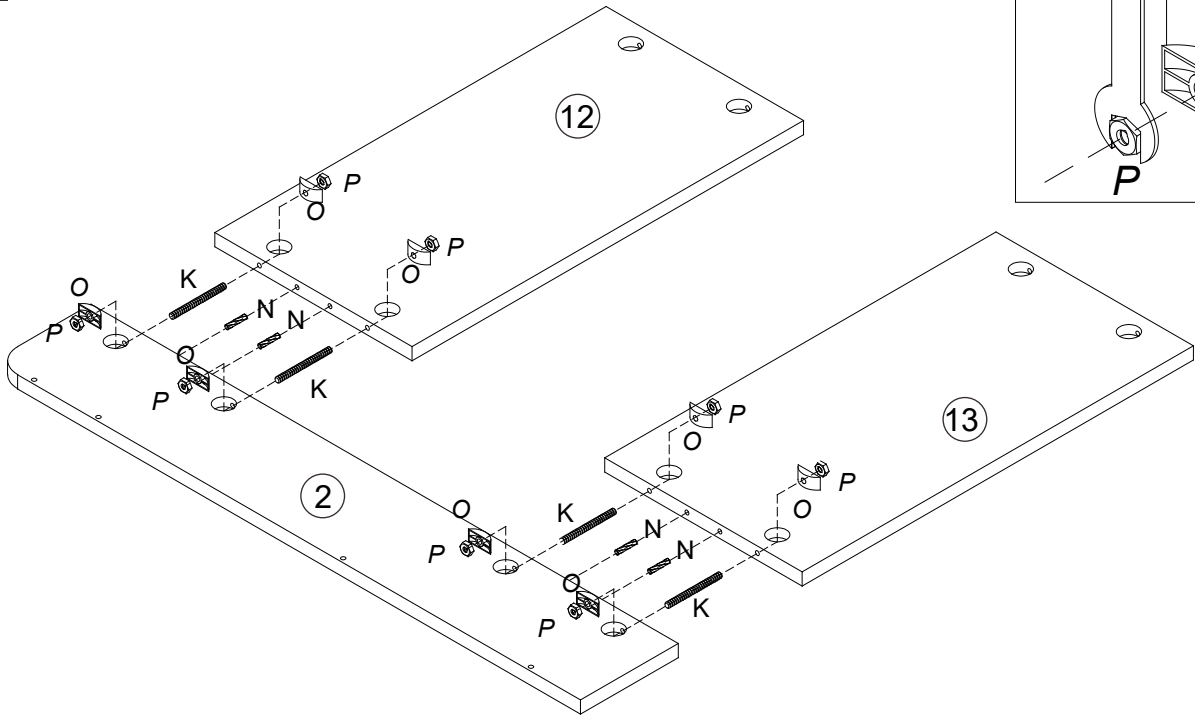





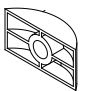
1.



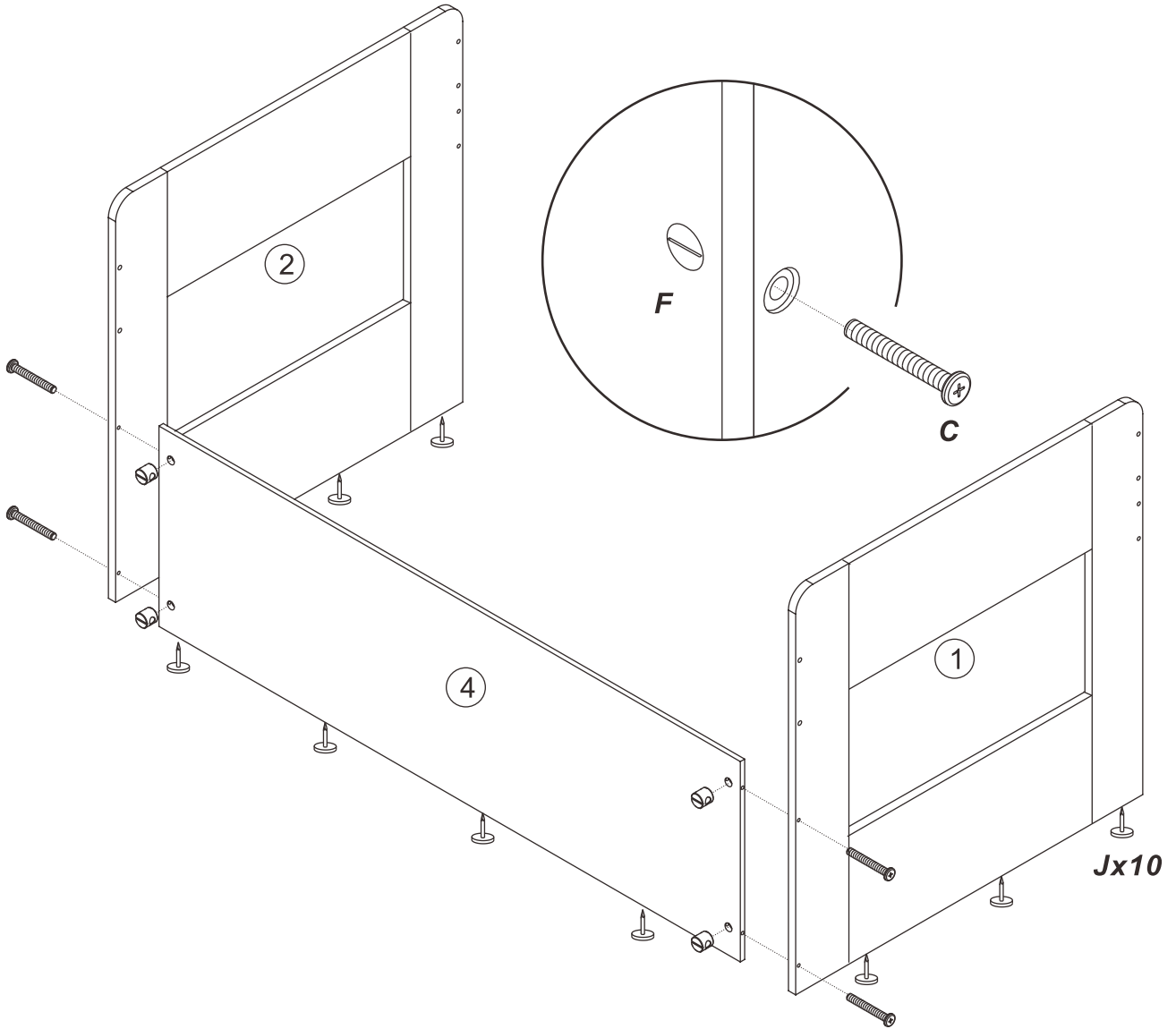
<i>P</i> x16	<i>K</i> x8	<i>N</i> x8	<i>O</i> x16
			

2.



Px16	Kx8	Nx8	Ox16
			

3.



Fx4



Cx4

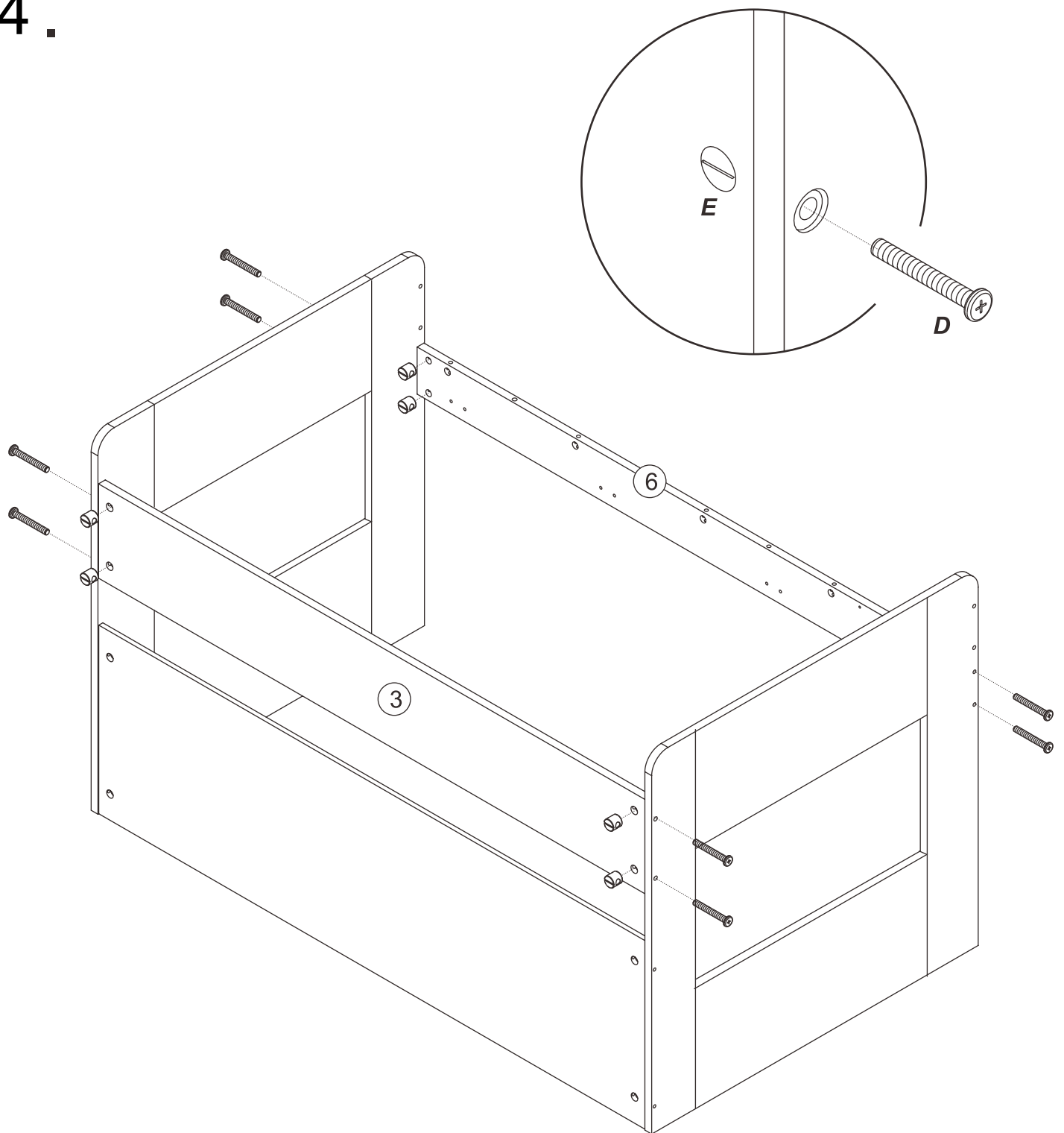



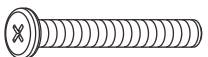
M6*60

Jx10

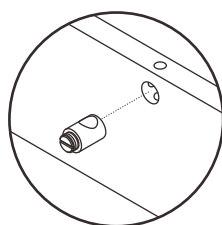
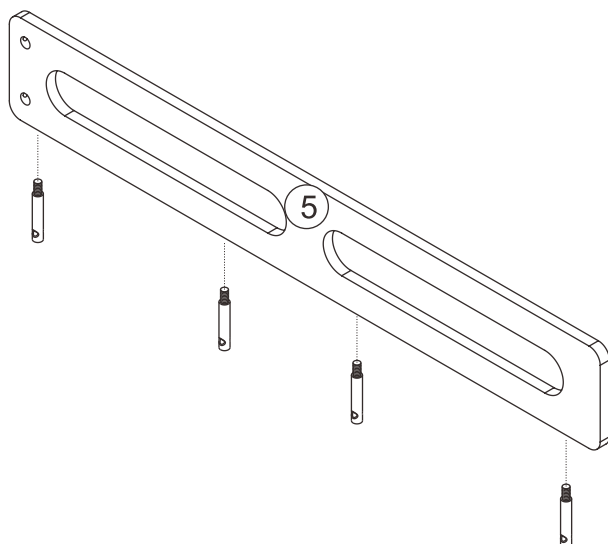


4.

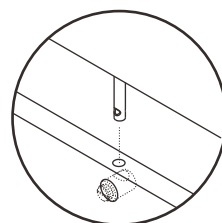


Ex8	Dx8
	
	M8*60

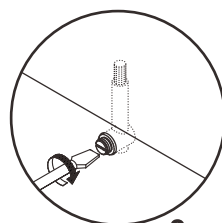
5.



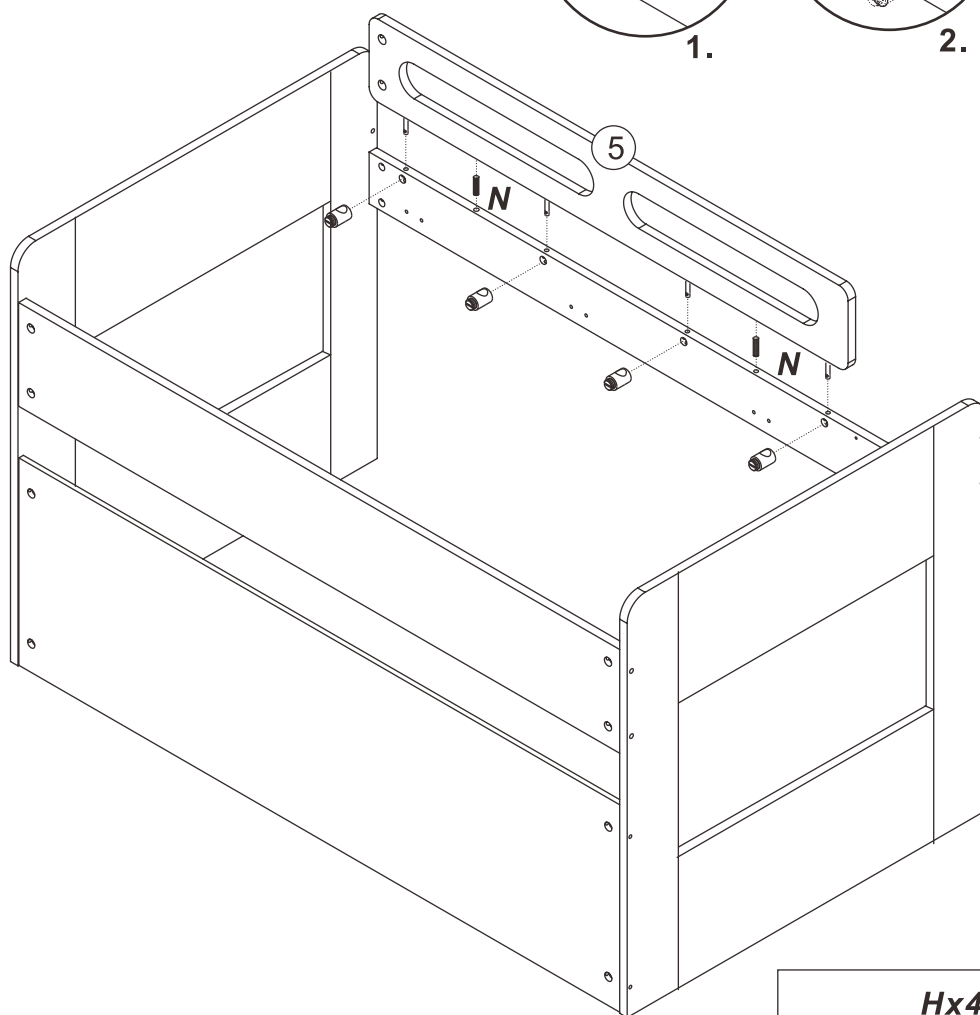
1.



2.

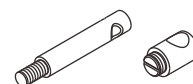


3.

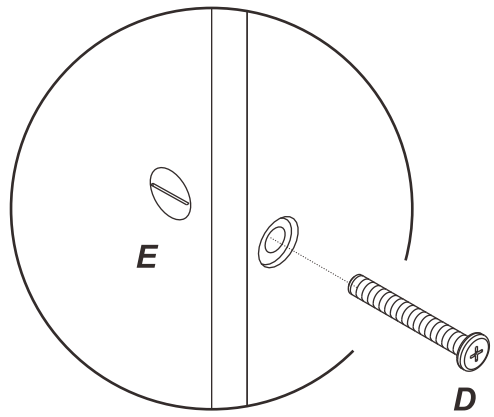
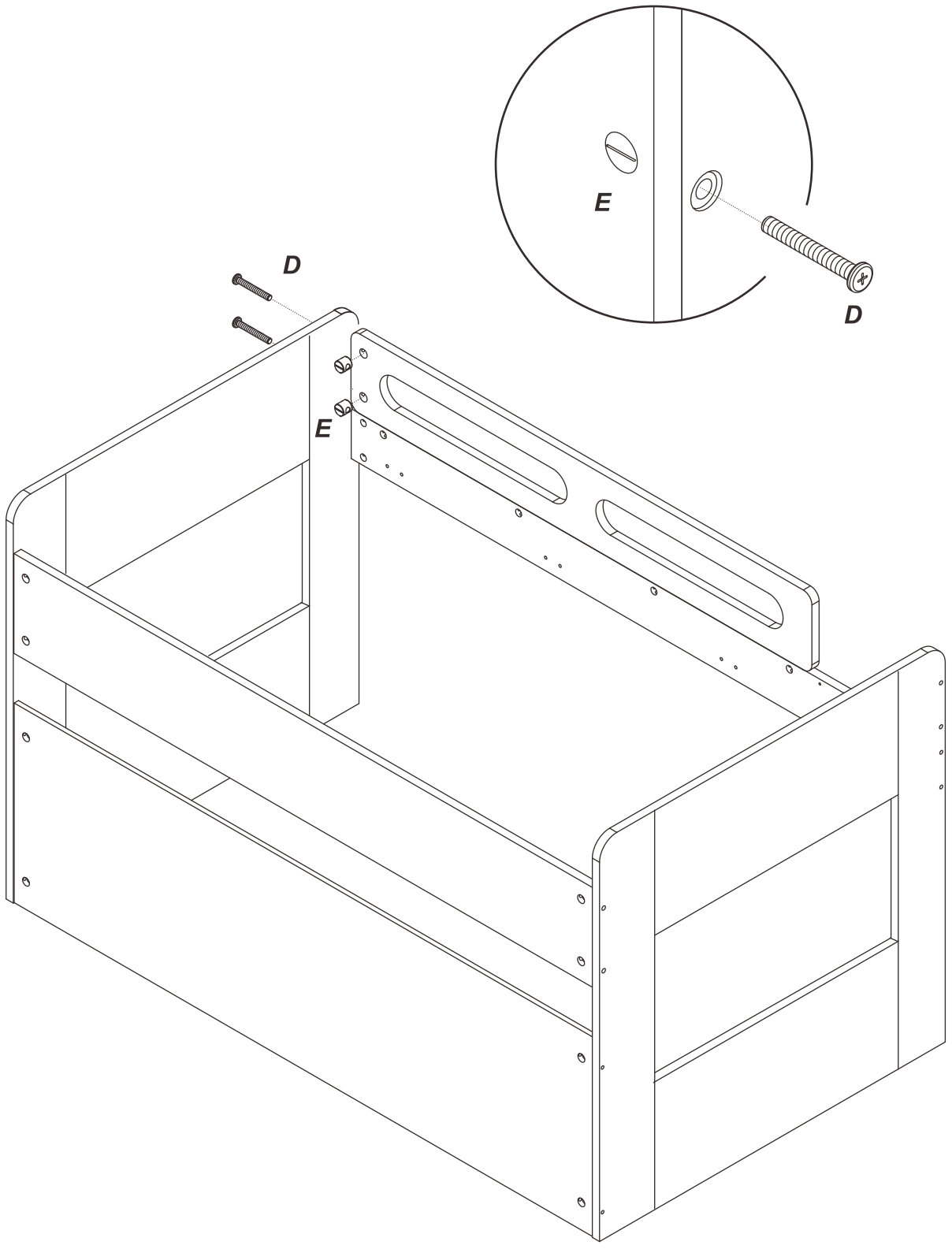



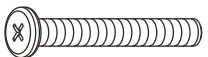
Hx4

Nx2

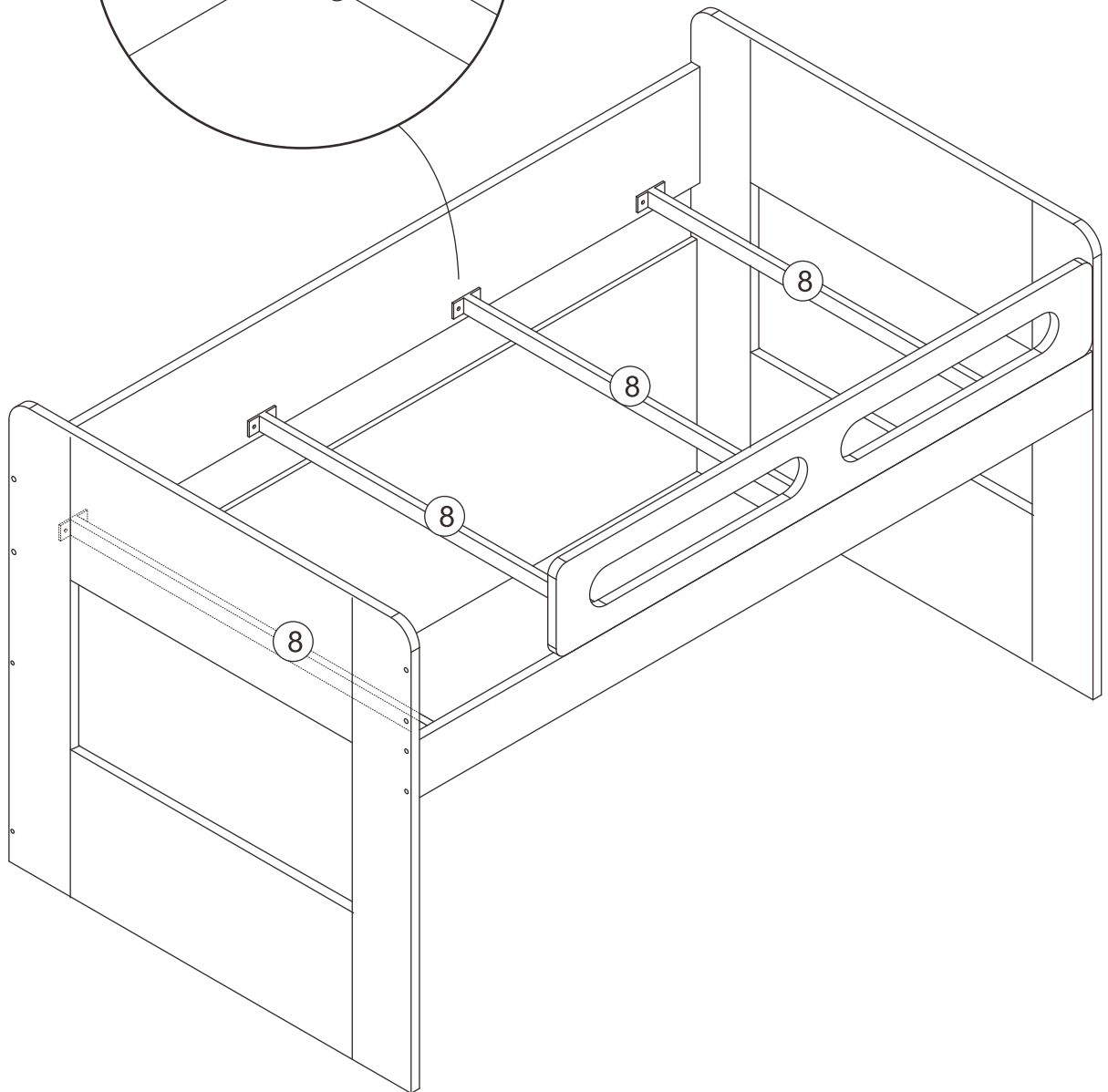
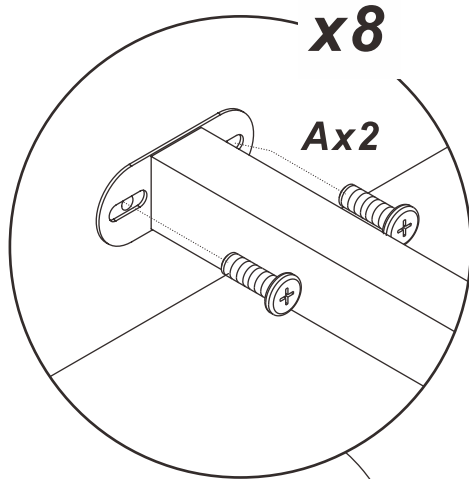


6.



Ex2	Dx2
	
	M8*60

7.

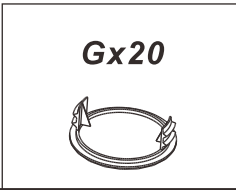
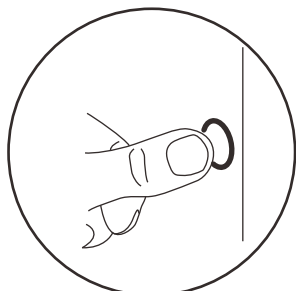
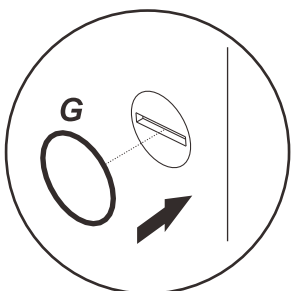
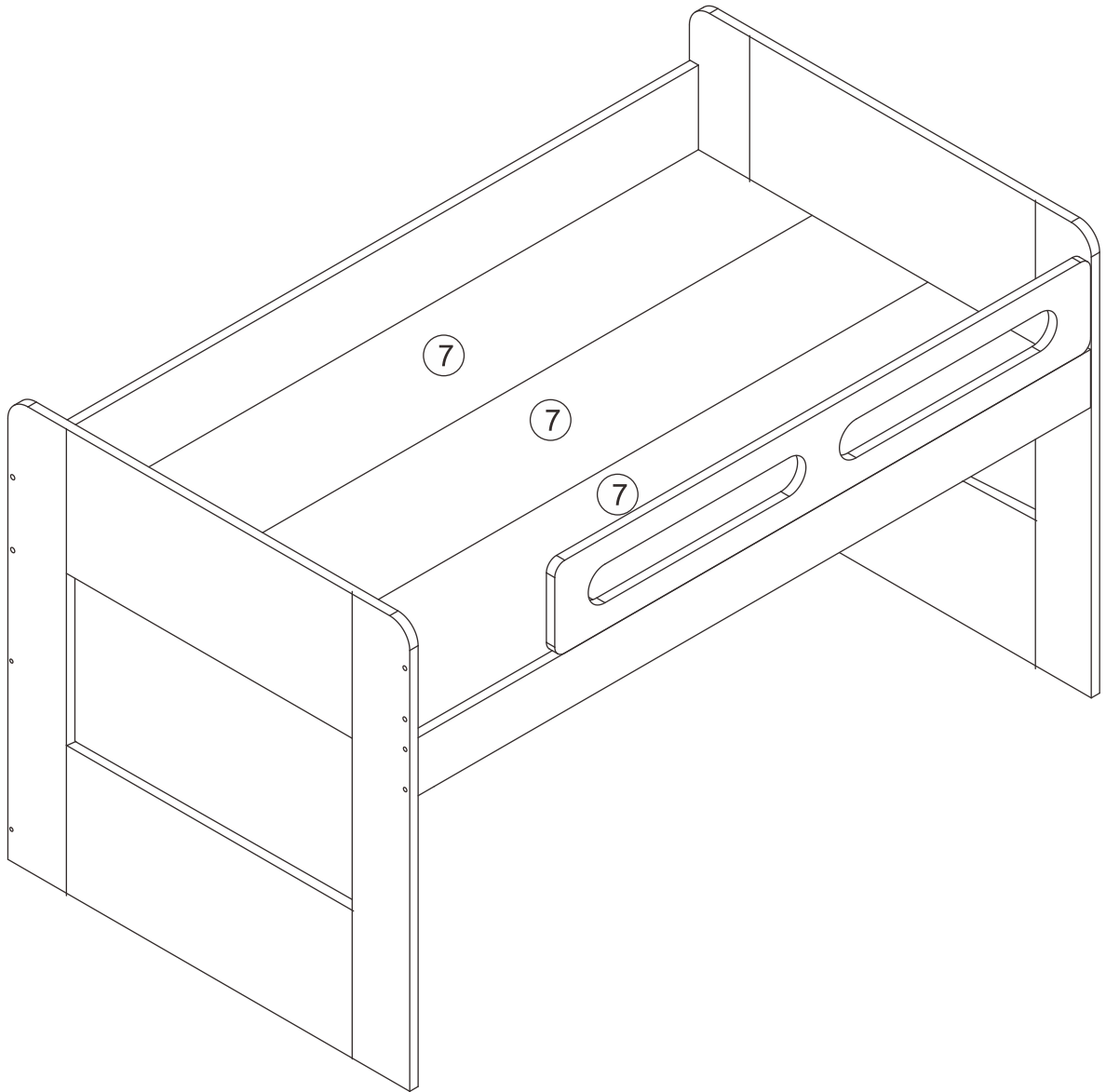


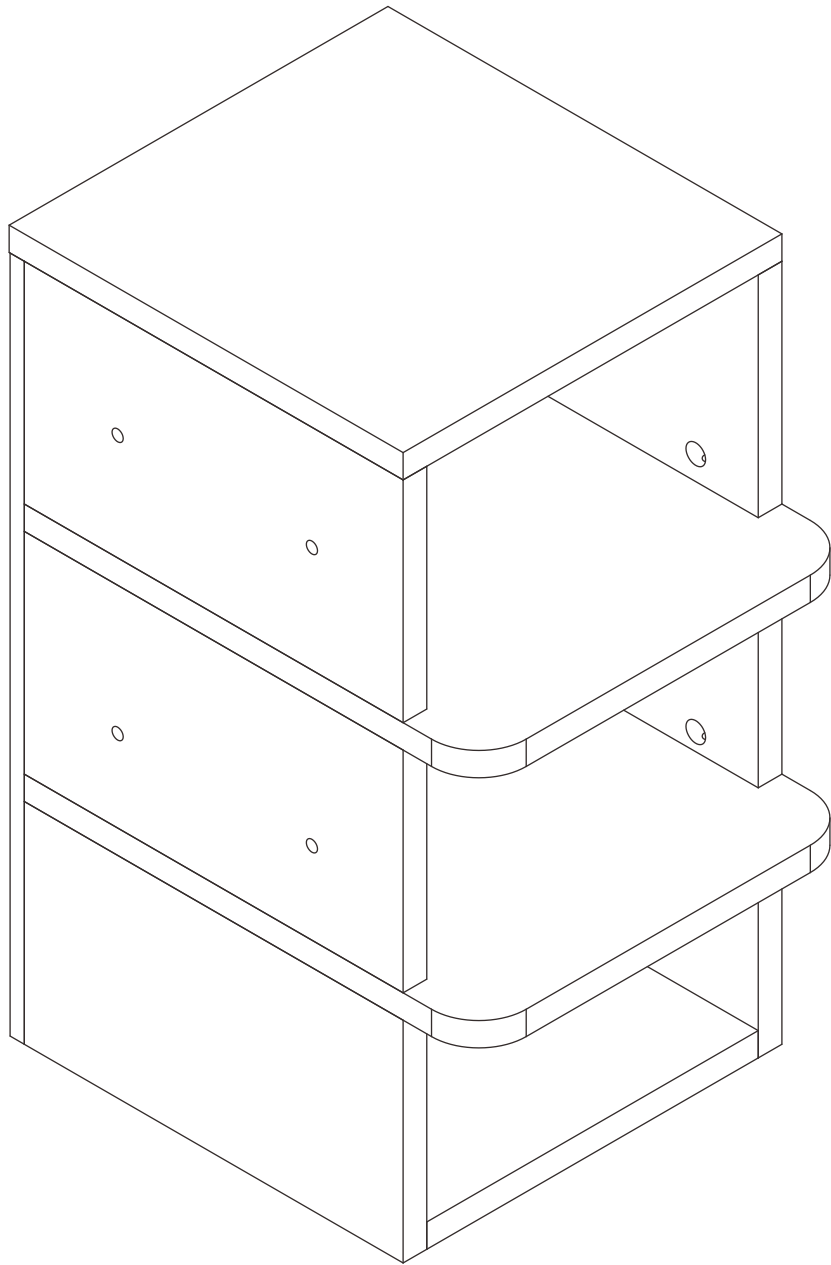
Ax16



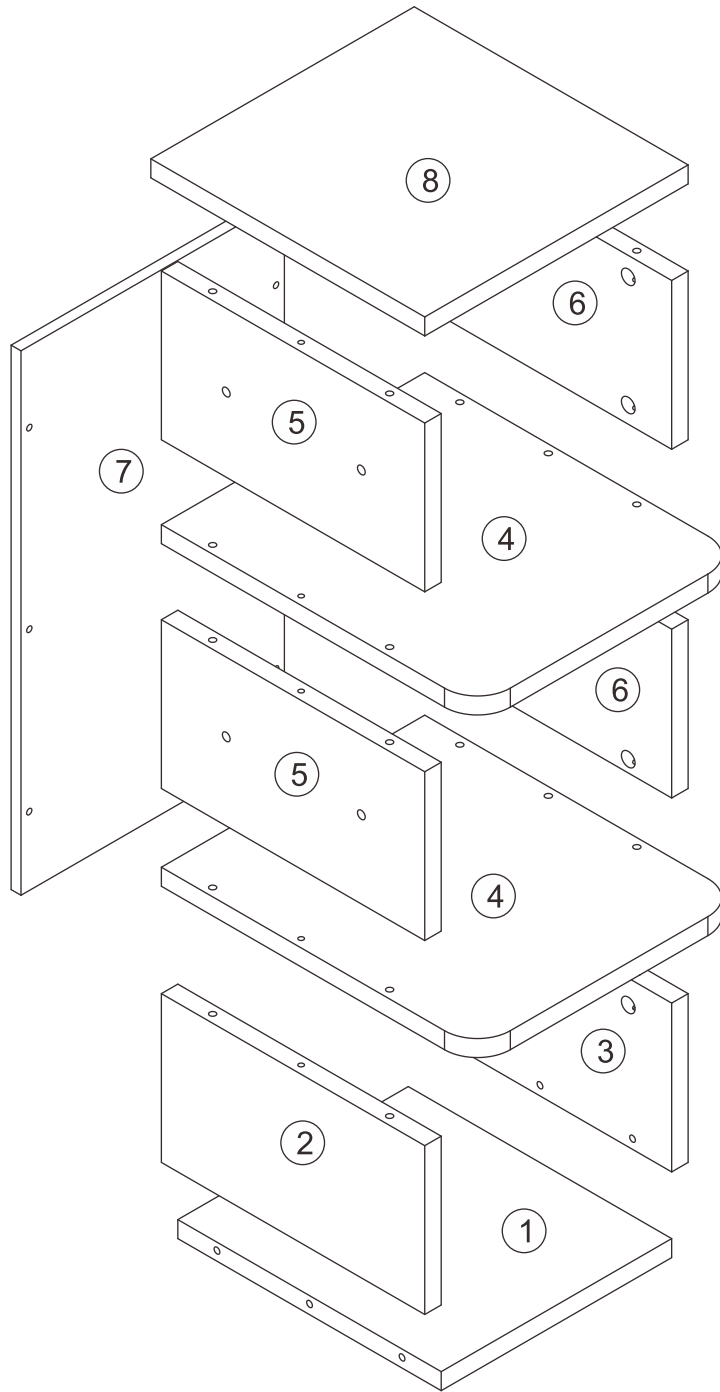
M6x20

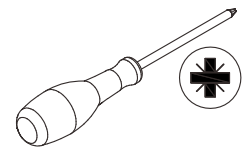
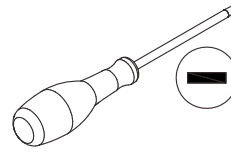
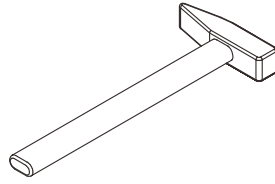
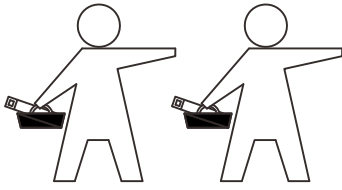
8 .



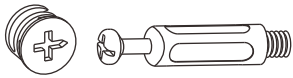


P11-P18





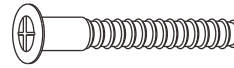
Ax26



Bx12



Cx6

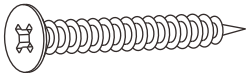


M7*38

Dx4

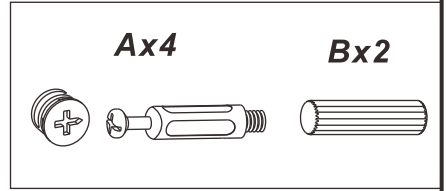
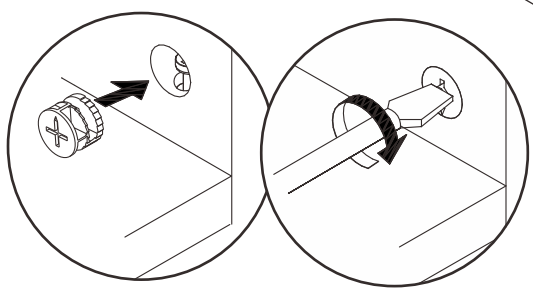
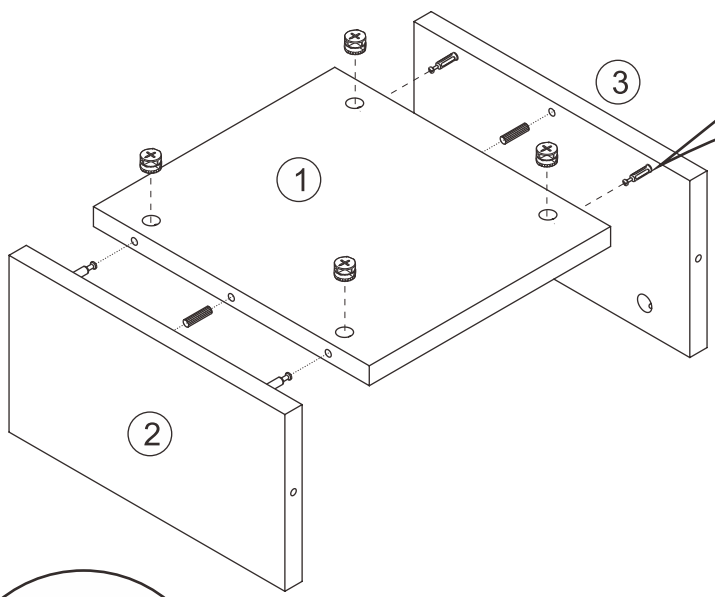


Ex4

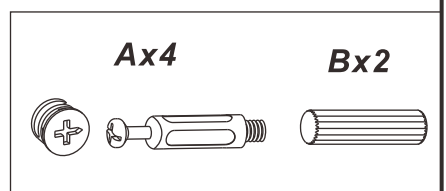
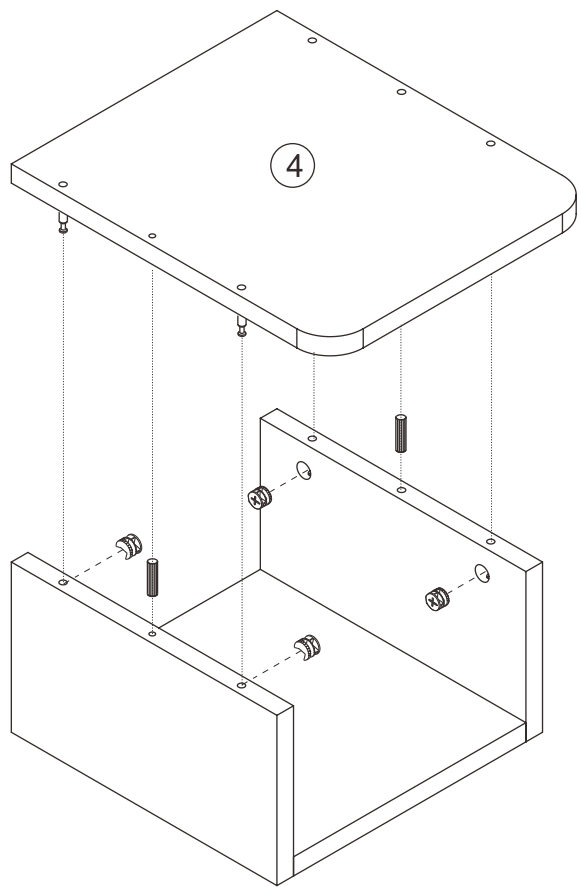


M3.5*35

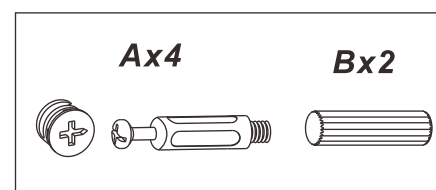
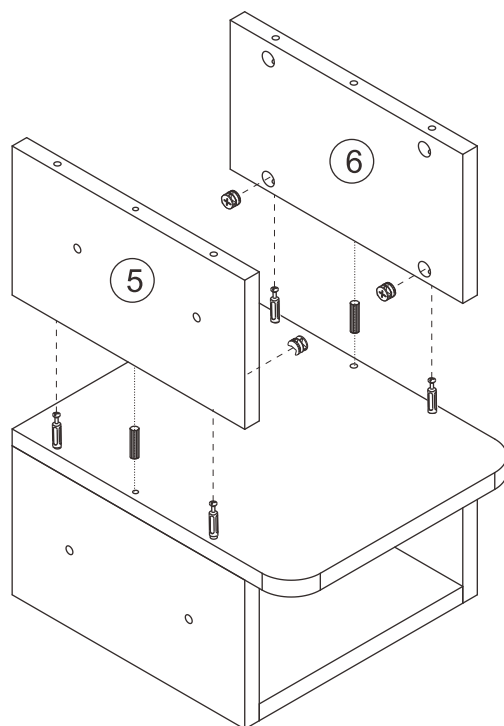
1.



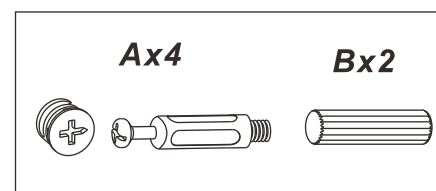
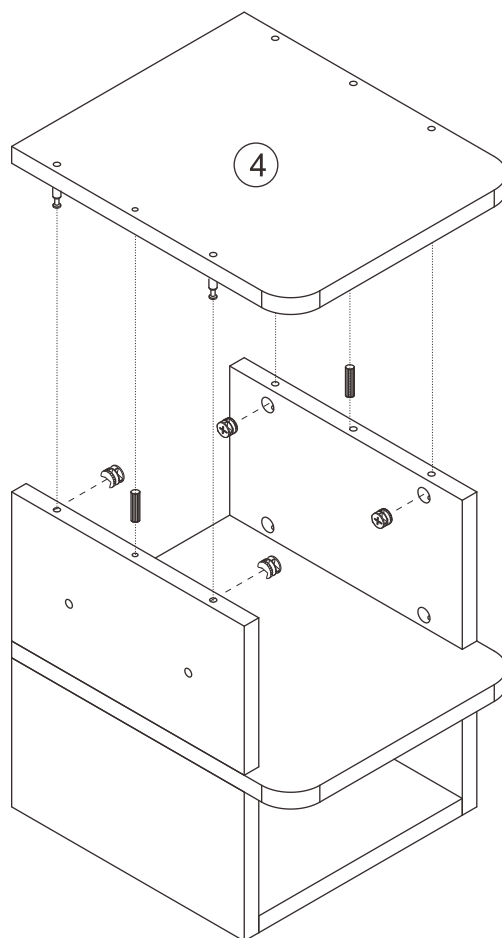
2.



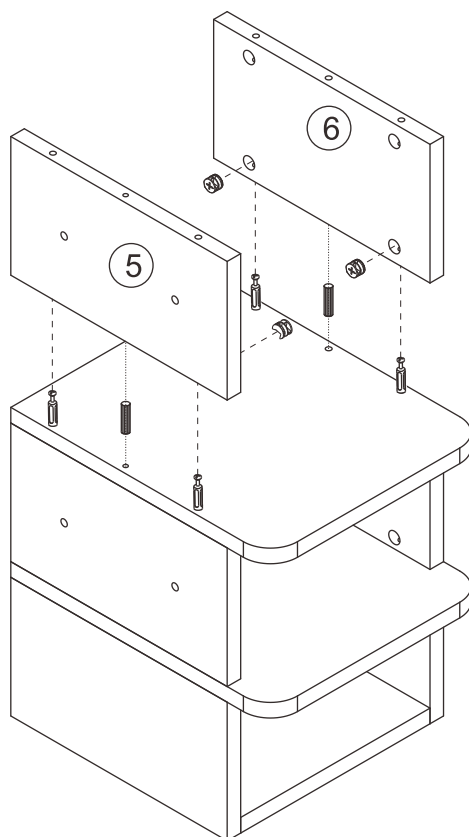
3.



4.



5.

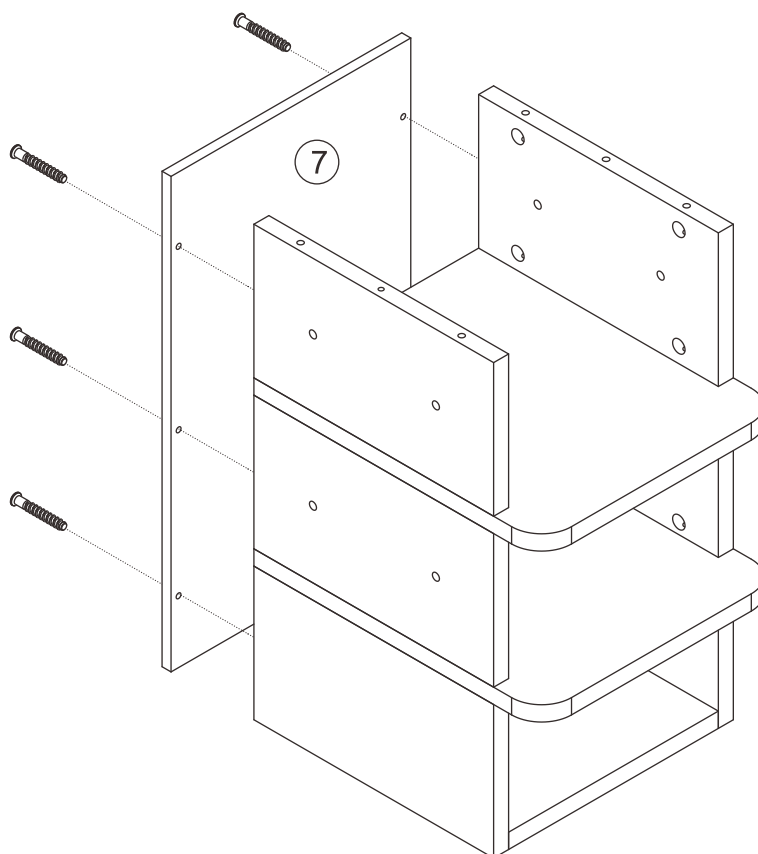


Ax4

Bx2



6.

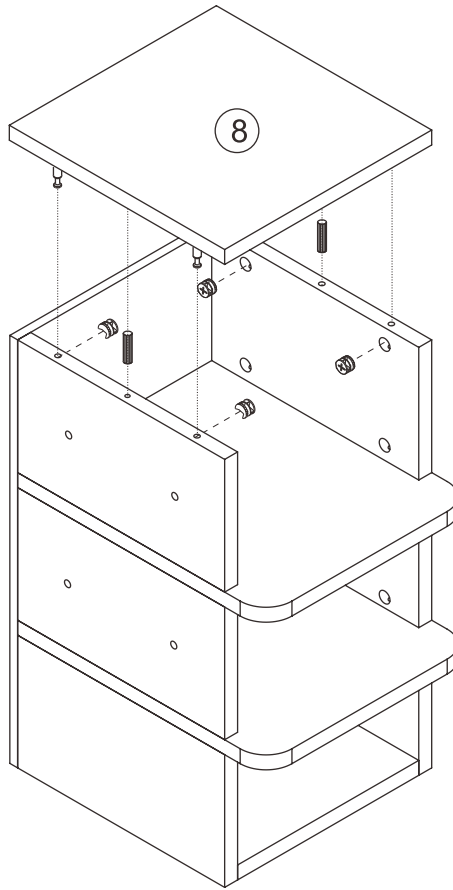


Cx6



M7*38

7.

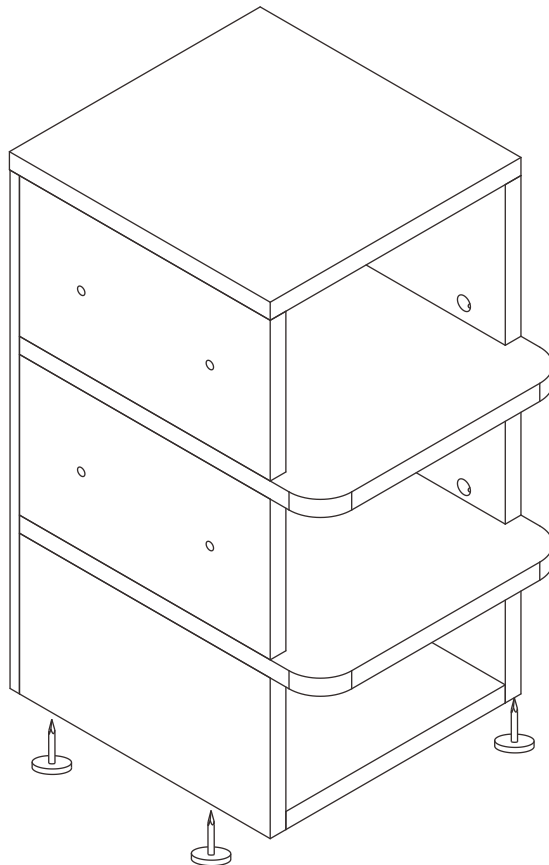


Ax4

Bx2

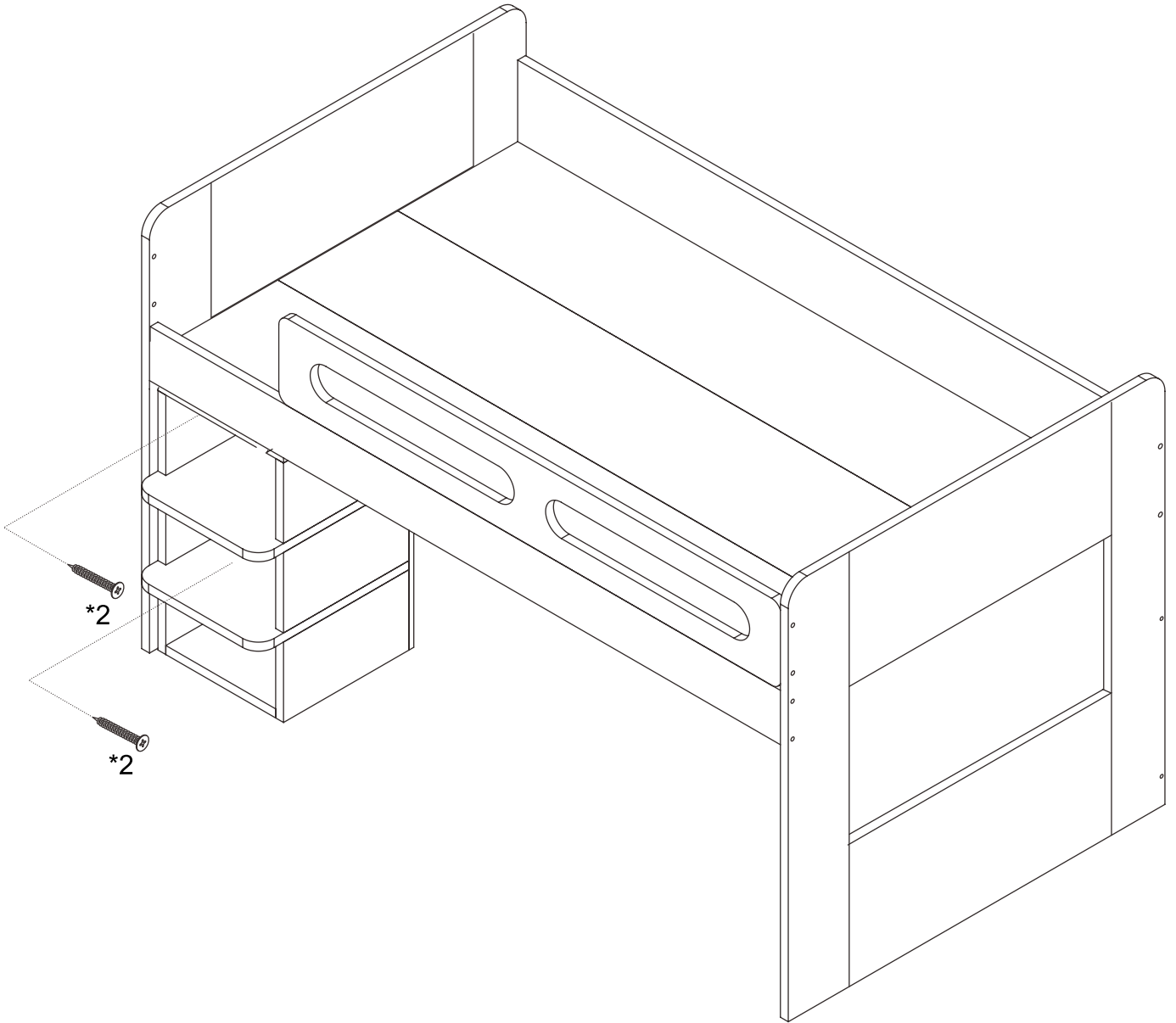


8.



Dx4





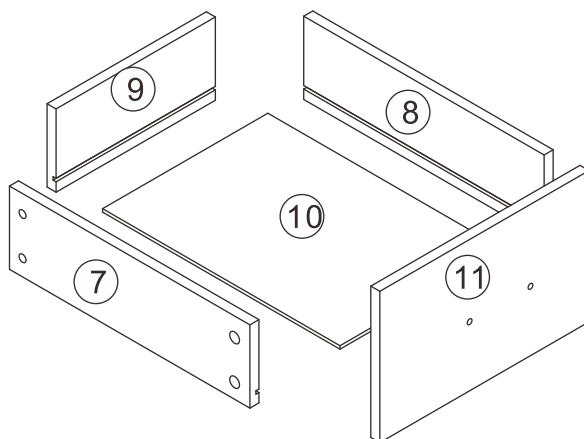
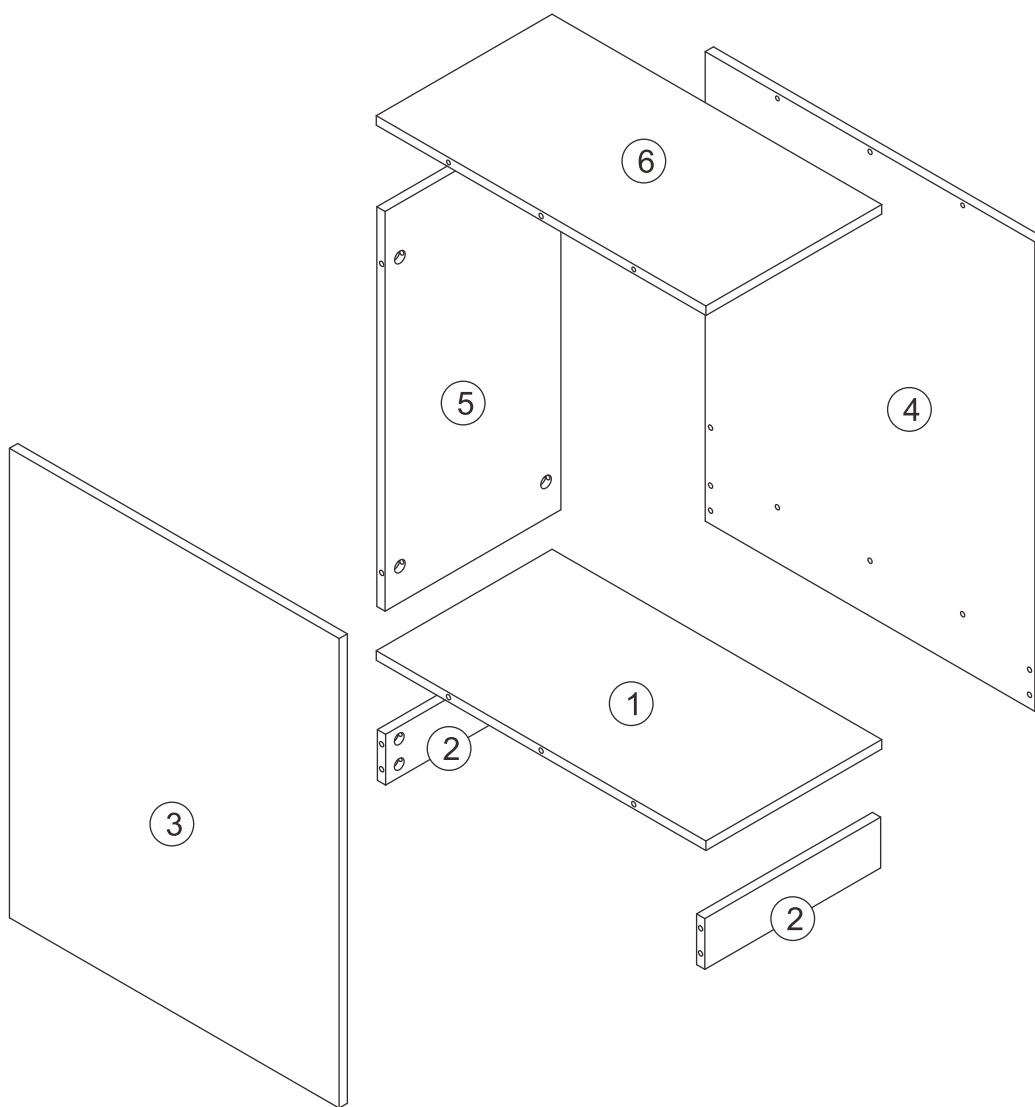
Ex4

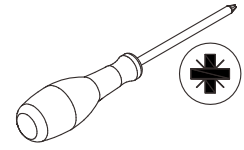
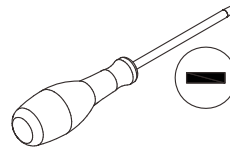
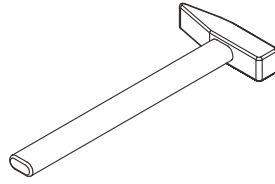
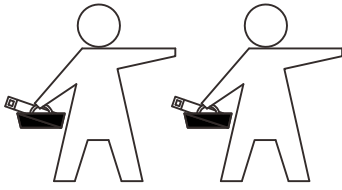


M3.5*35

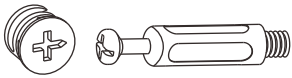


P19-P28

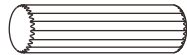




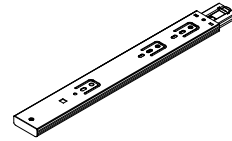
Ax32



Bx4



Cx3



Dx6

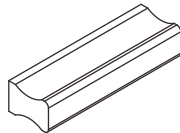


Ex12

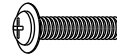


M3.5*35

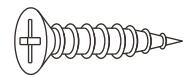
Fx3



Gx6

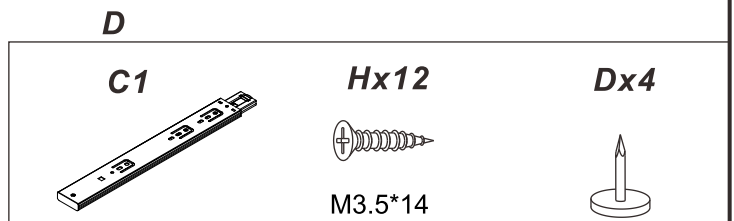
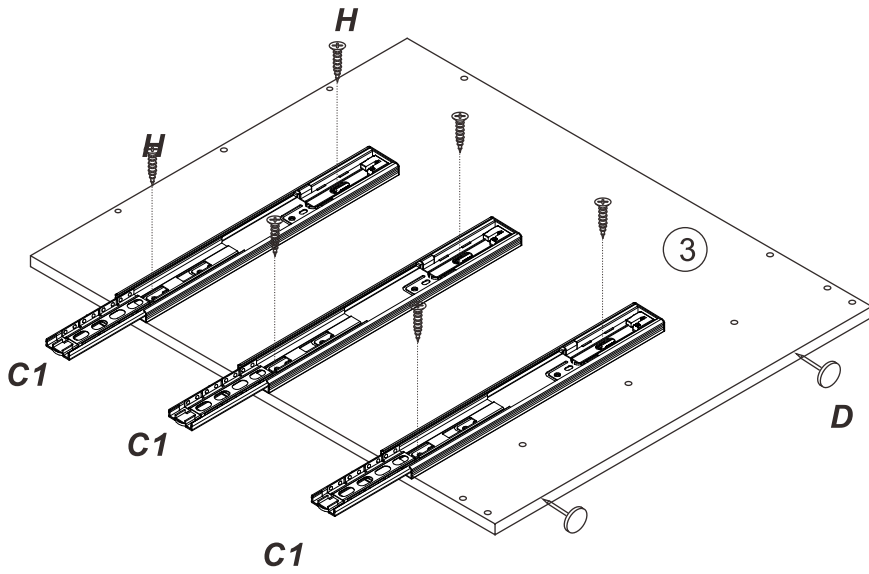
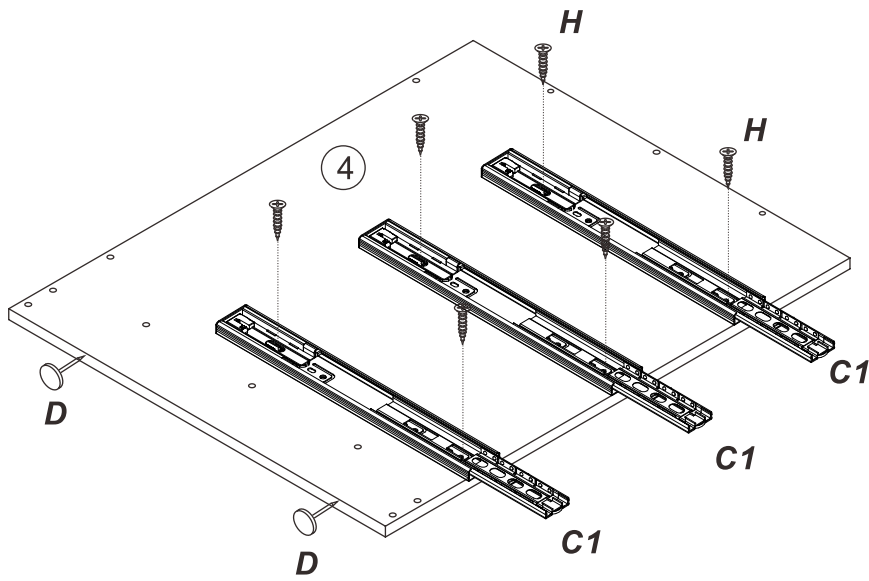
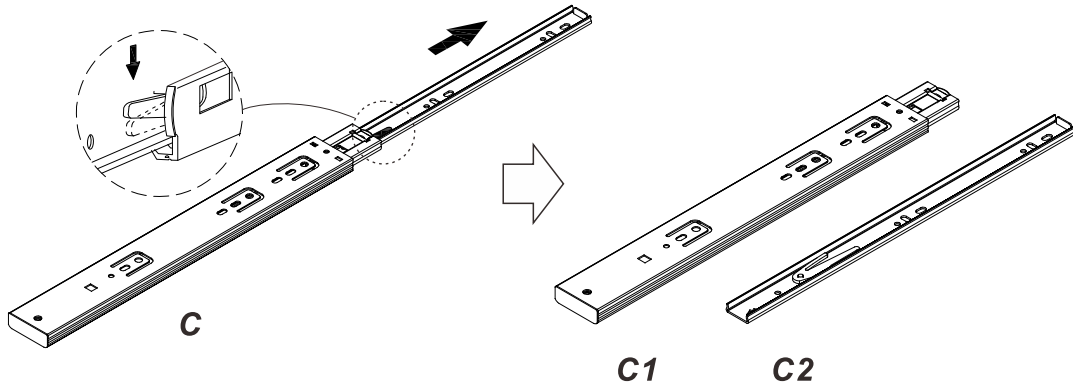


Hx24

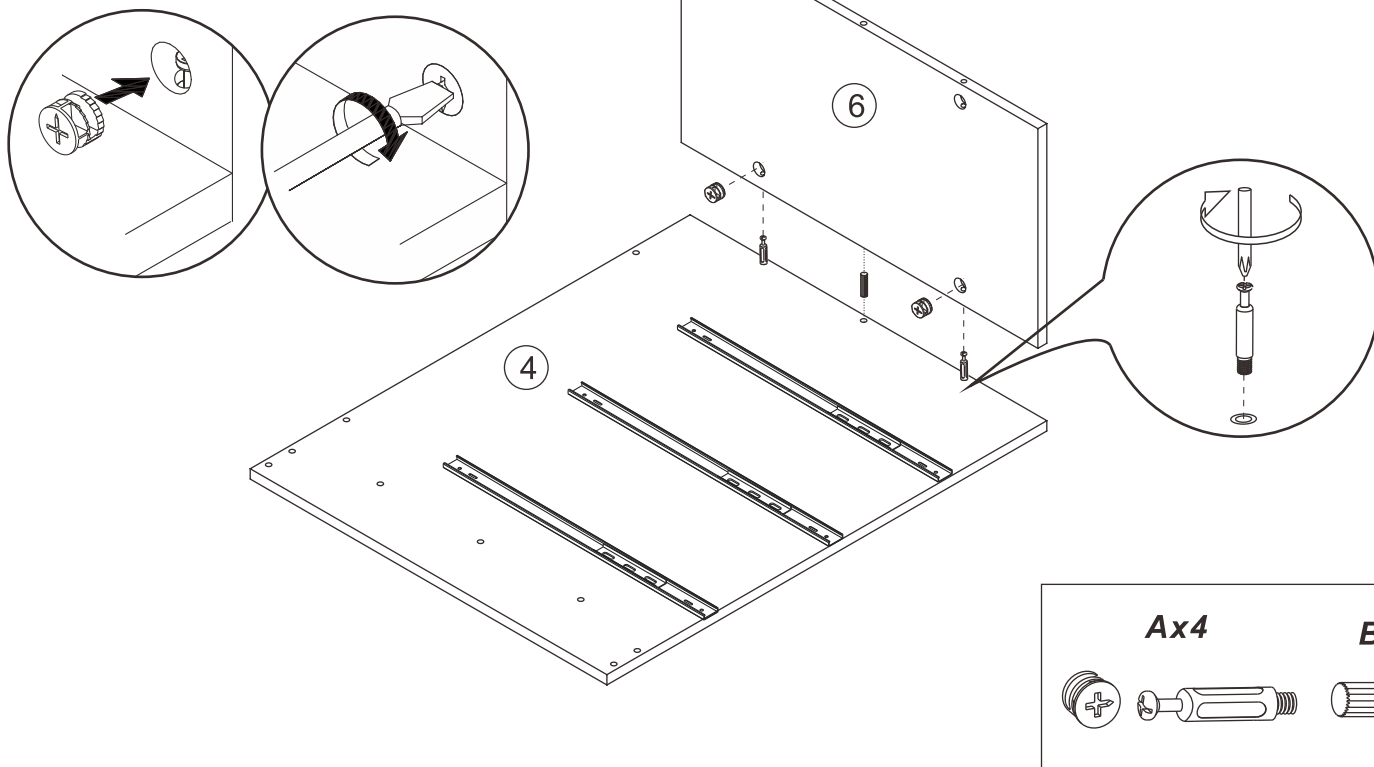


3.5*14

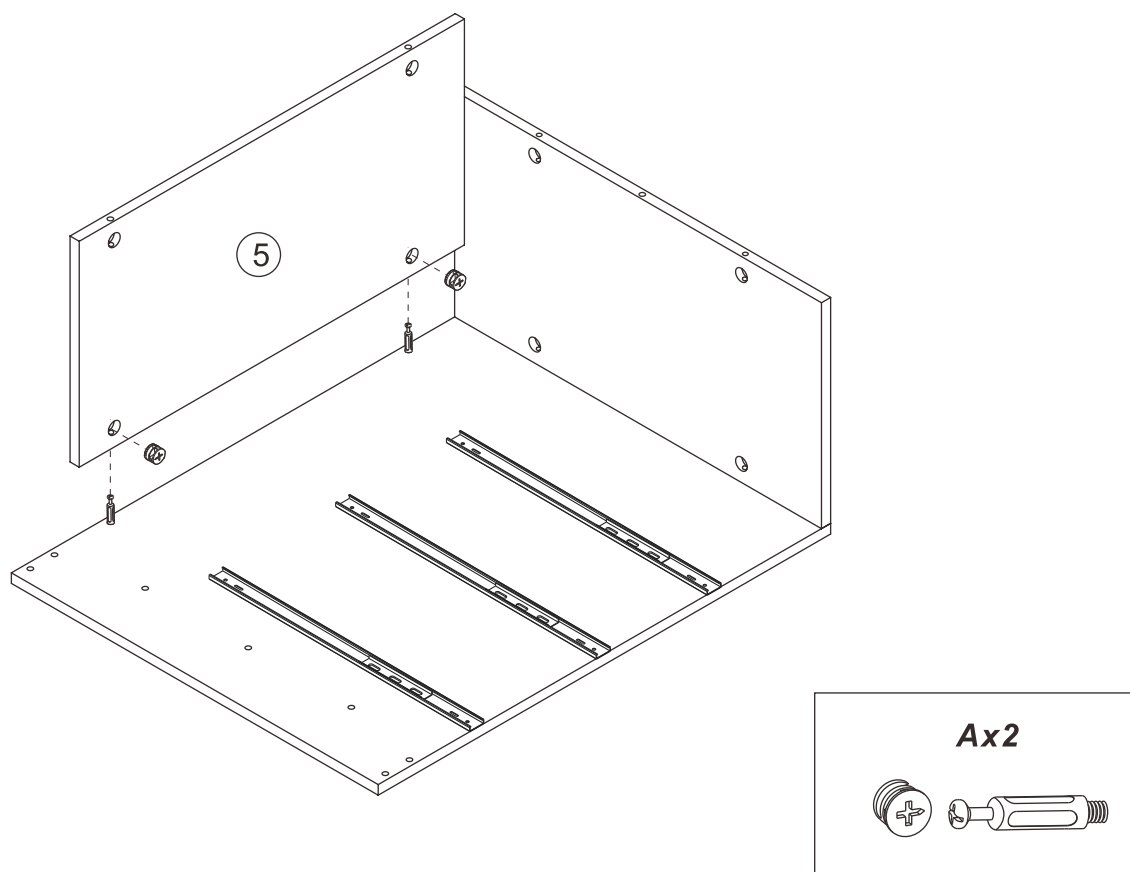
1.



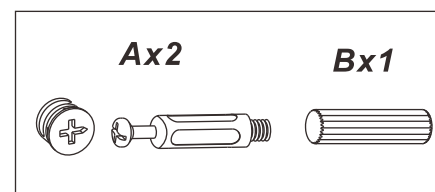
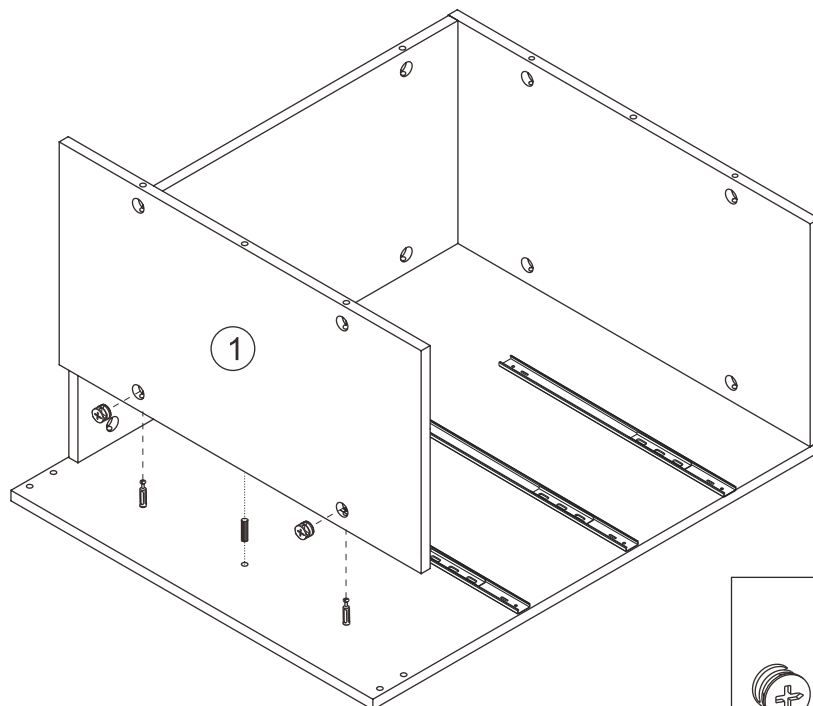
2.



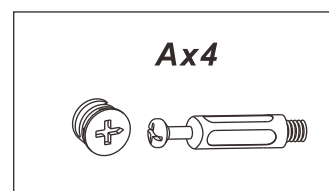
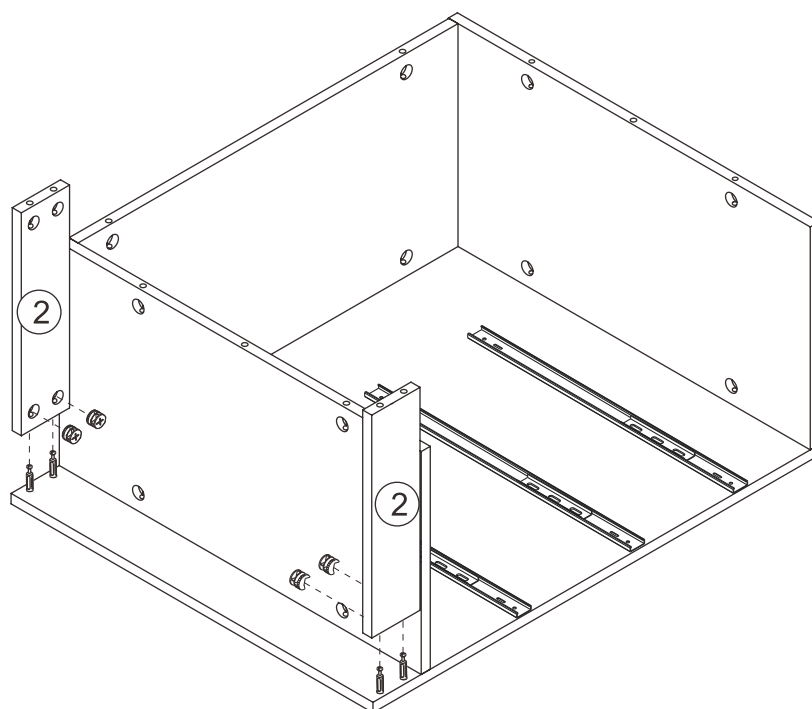
3.



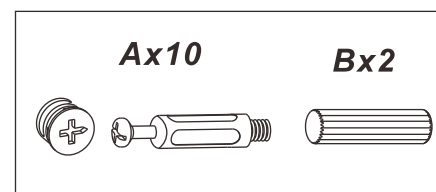
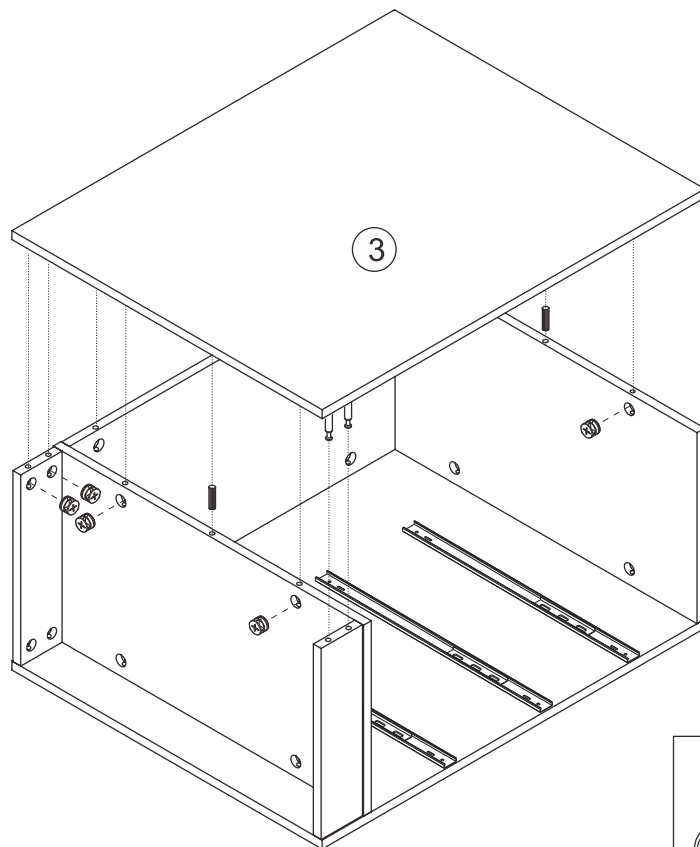
4.



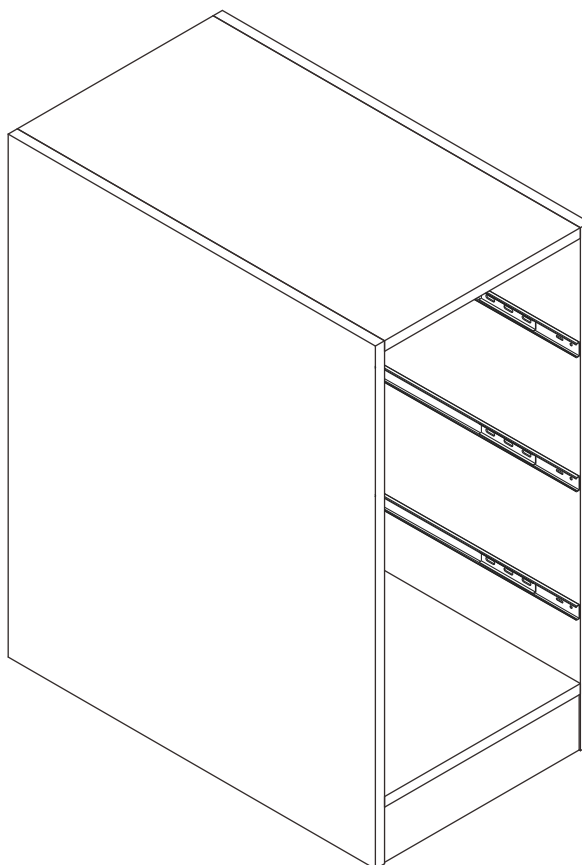
5.



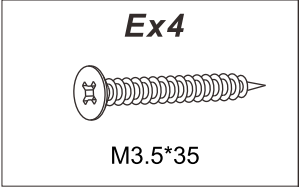
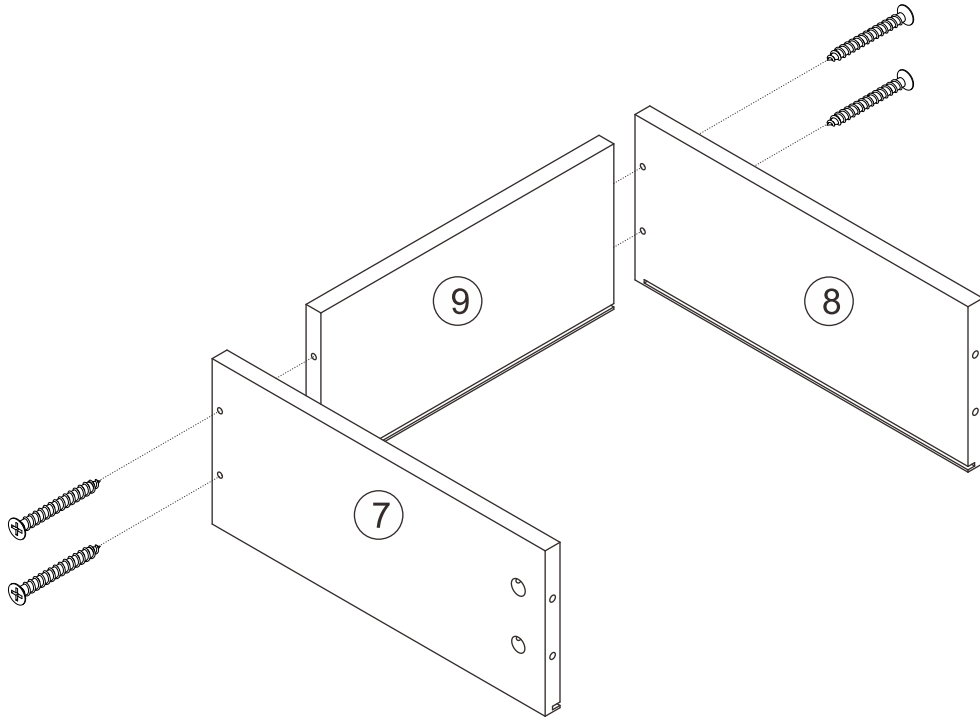
6.



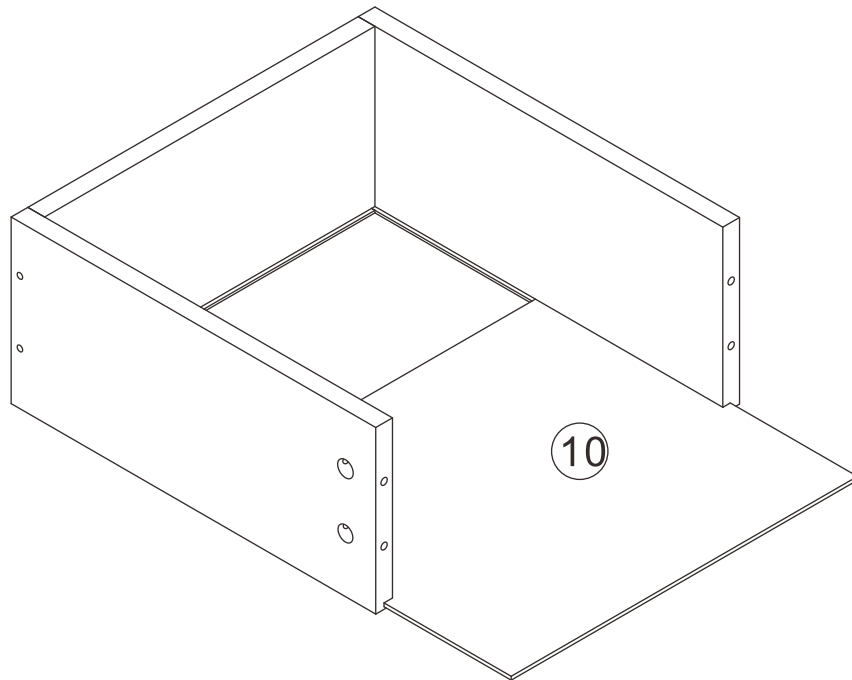
7.



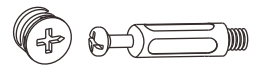
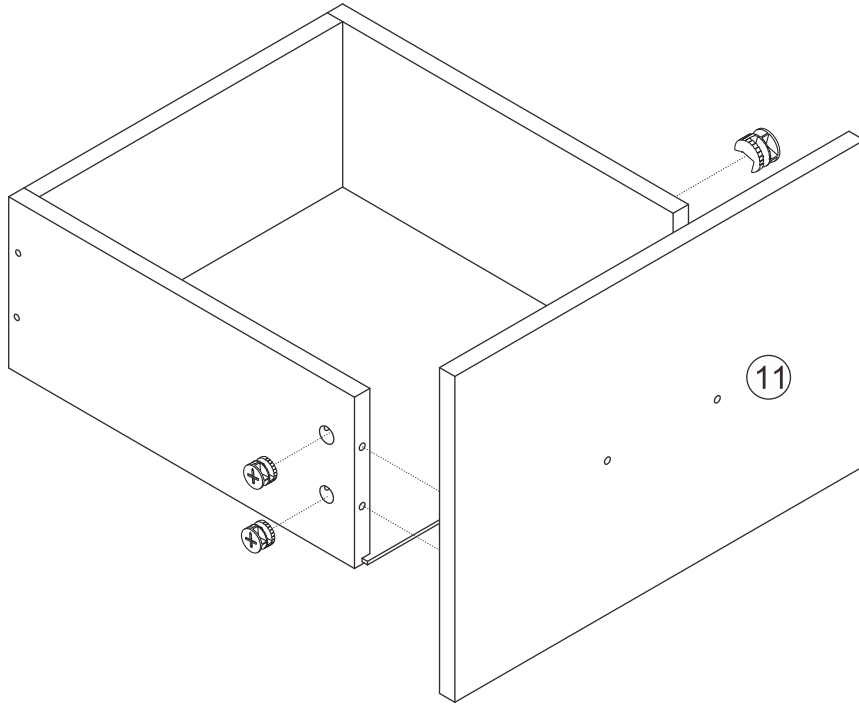
8.



9.

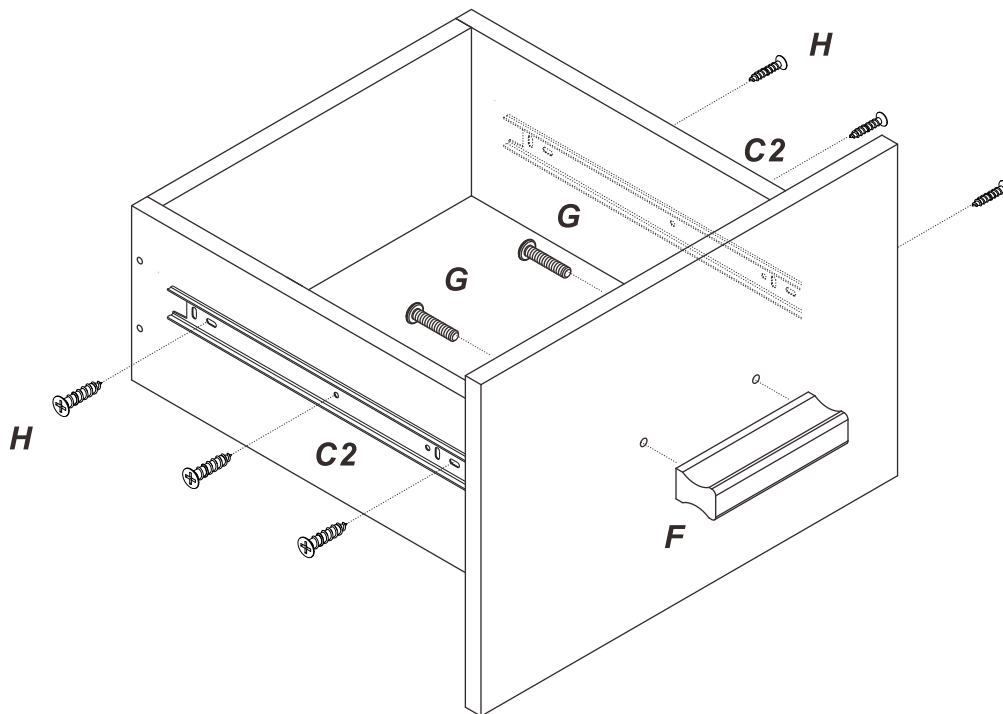


10.

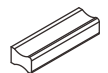


Ax4

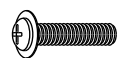
11.



x3



Fx1



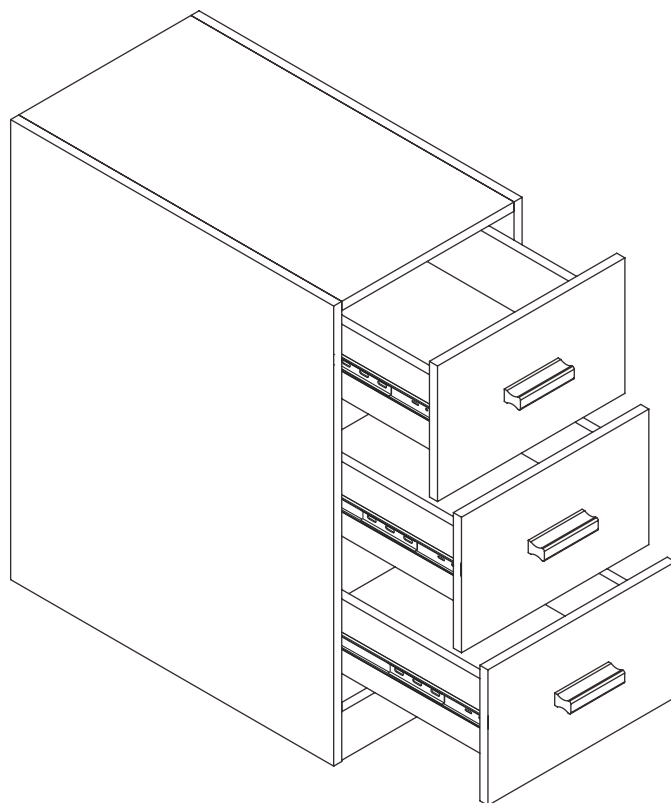
Gx2



3.5*14

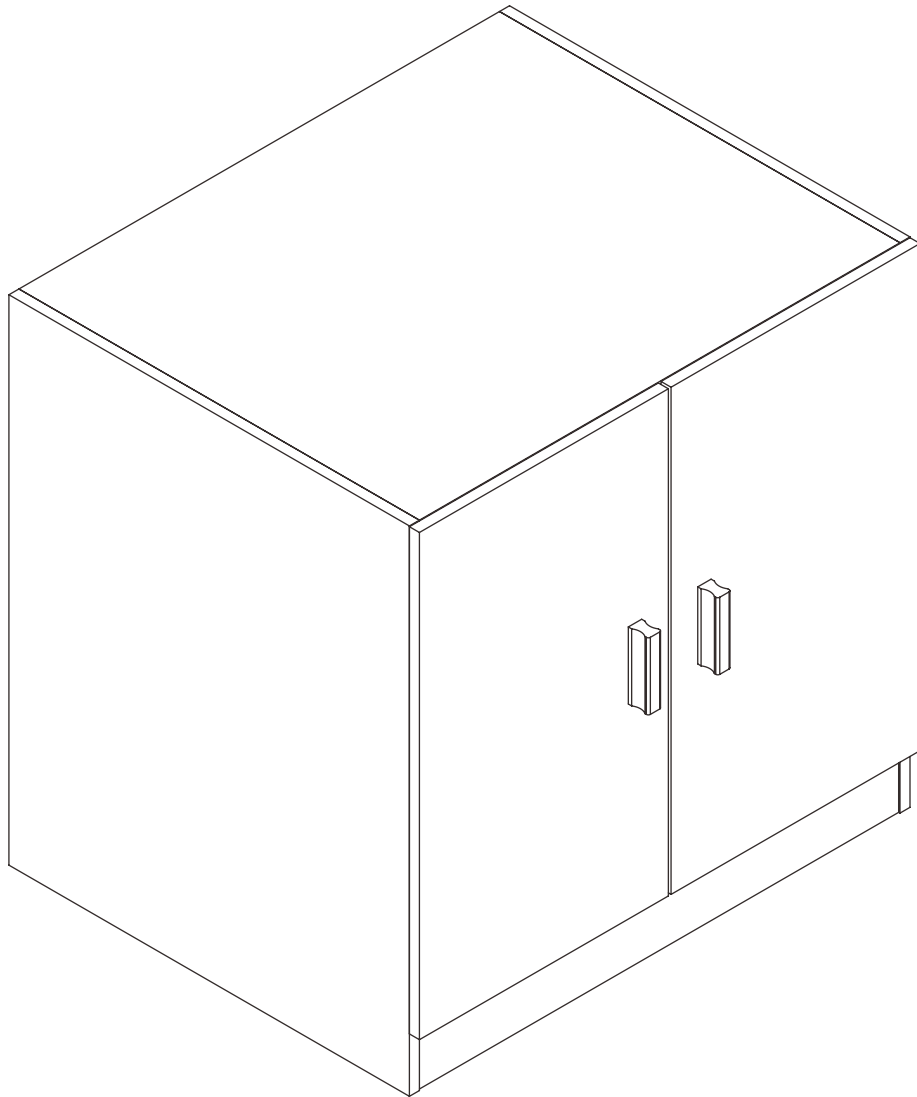
Hx6

12.

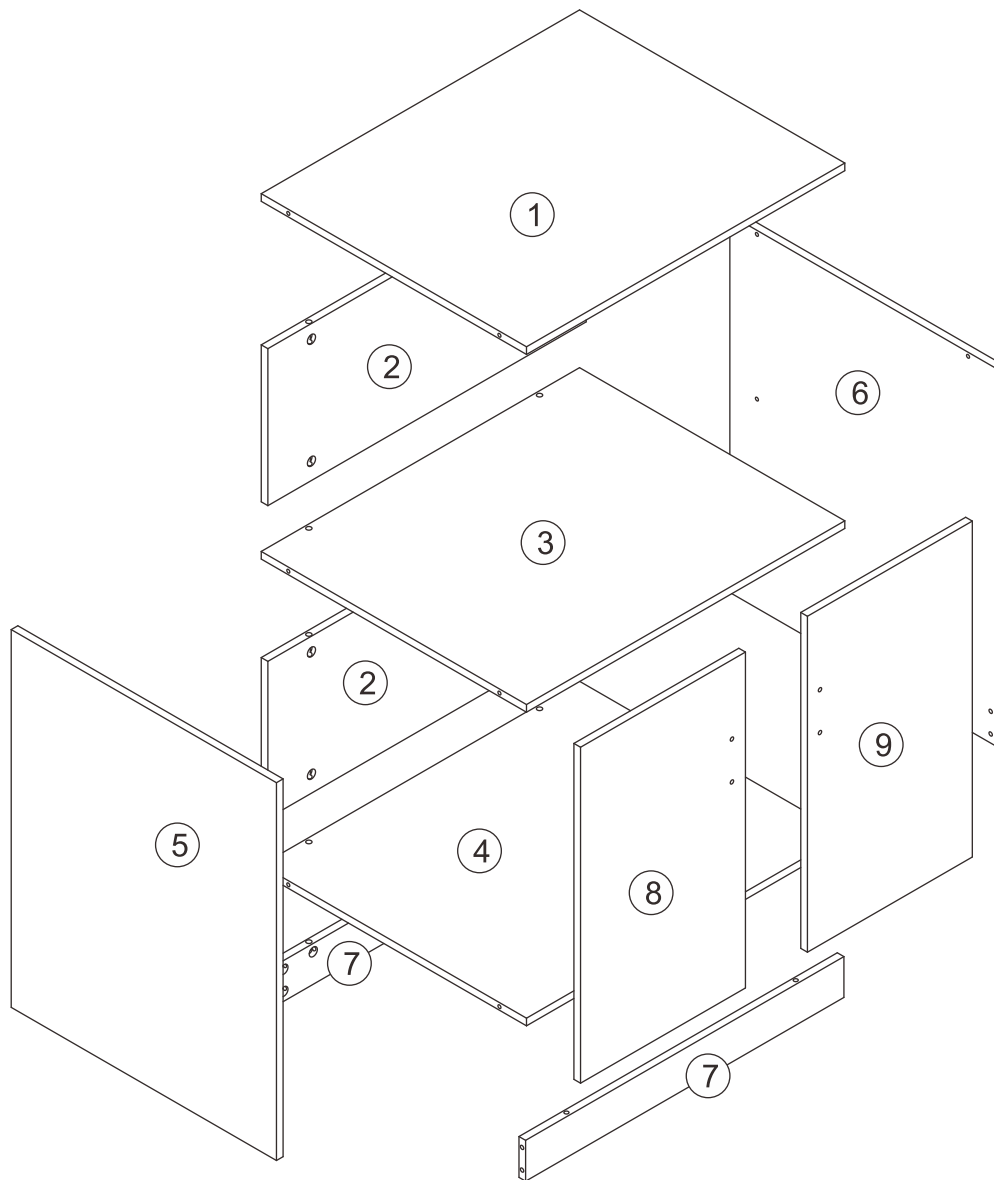


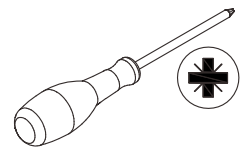
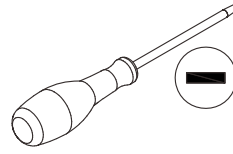
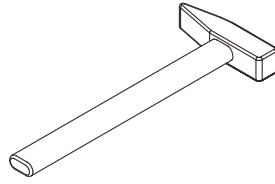
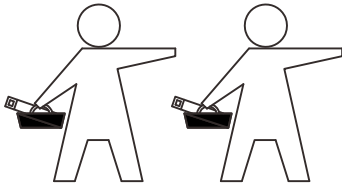
13.



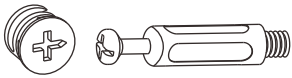


P29-P36

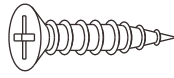




Ax28

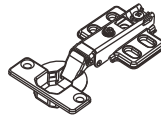


Bx24



3.5*14

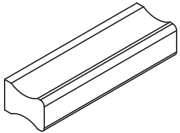
Cx4



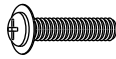
Dx6



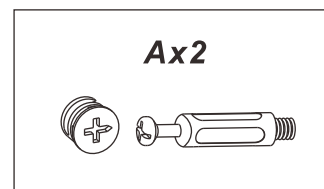
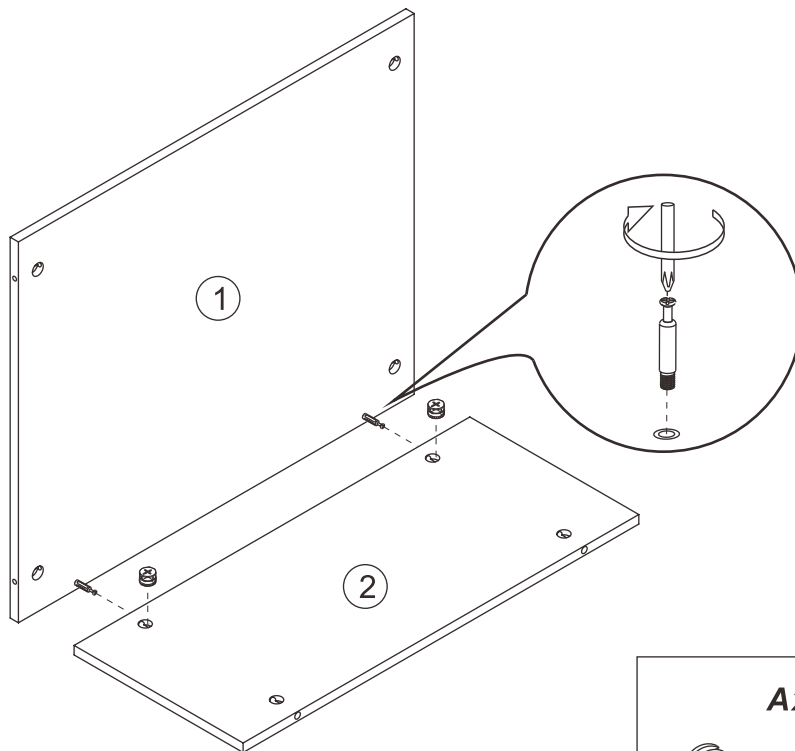
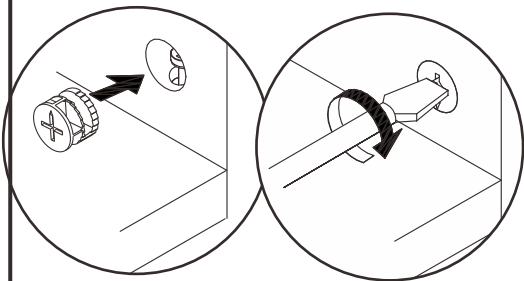
Ex2



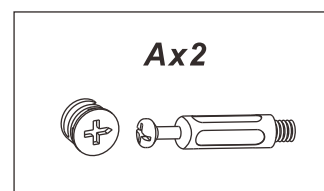
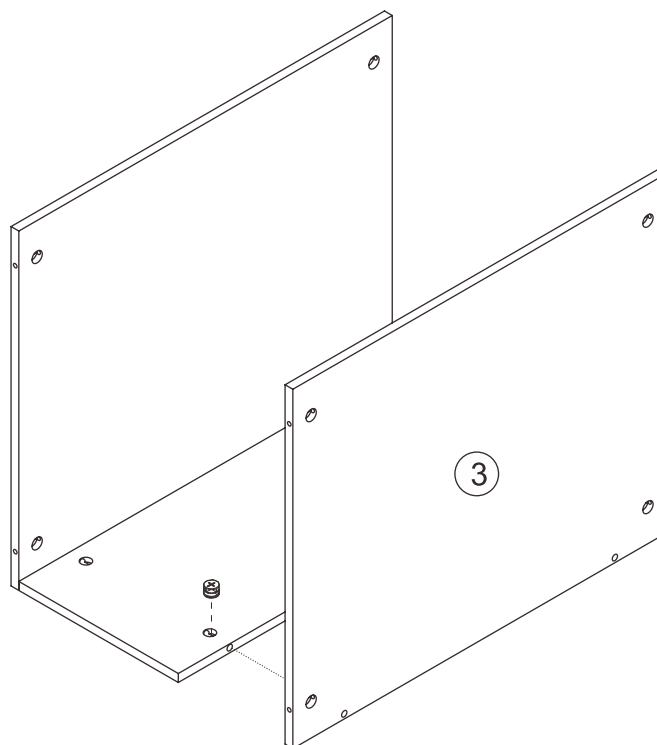
Fx4



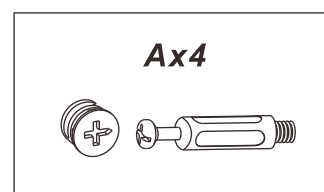
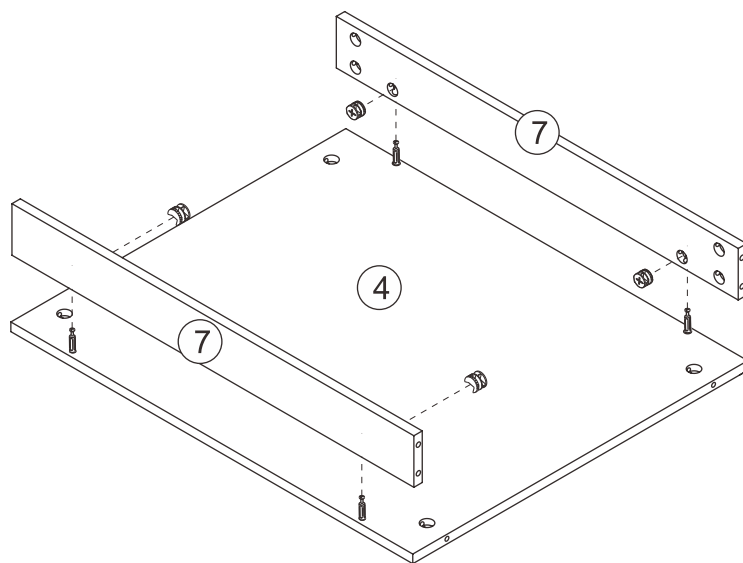
1.



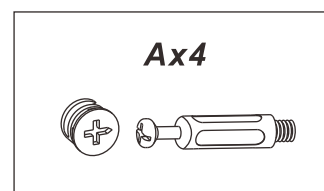
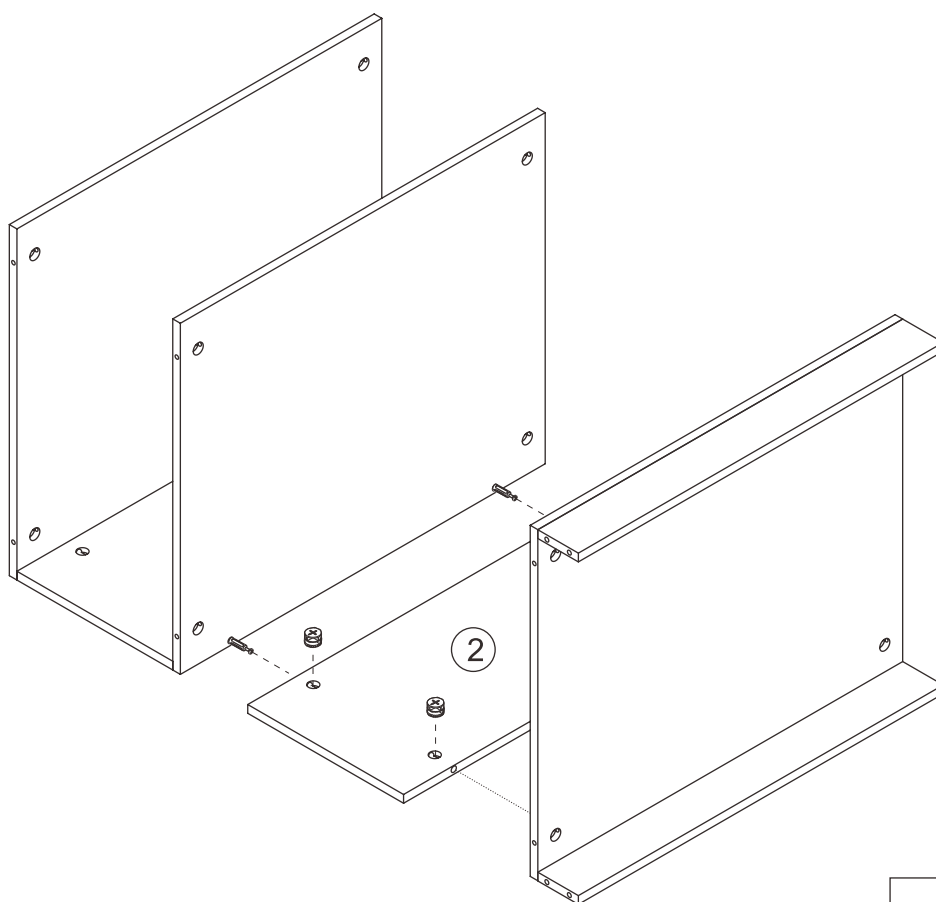
2.



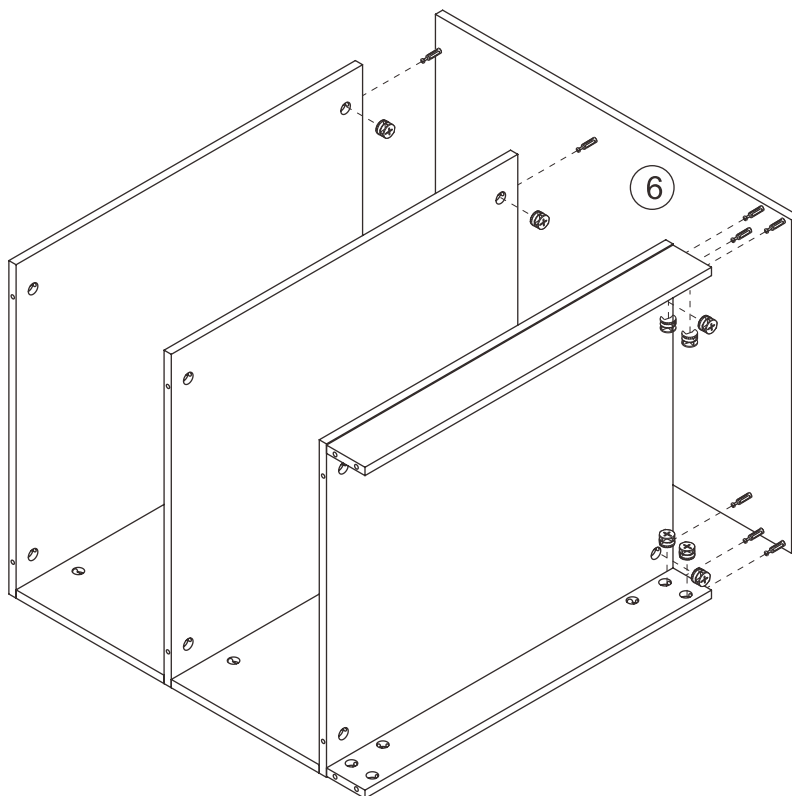
3.



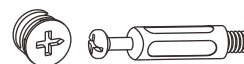
4.



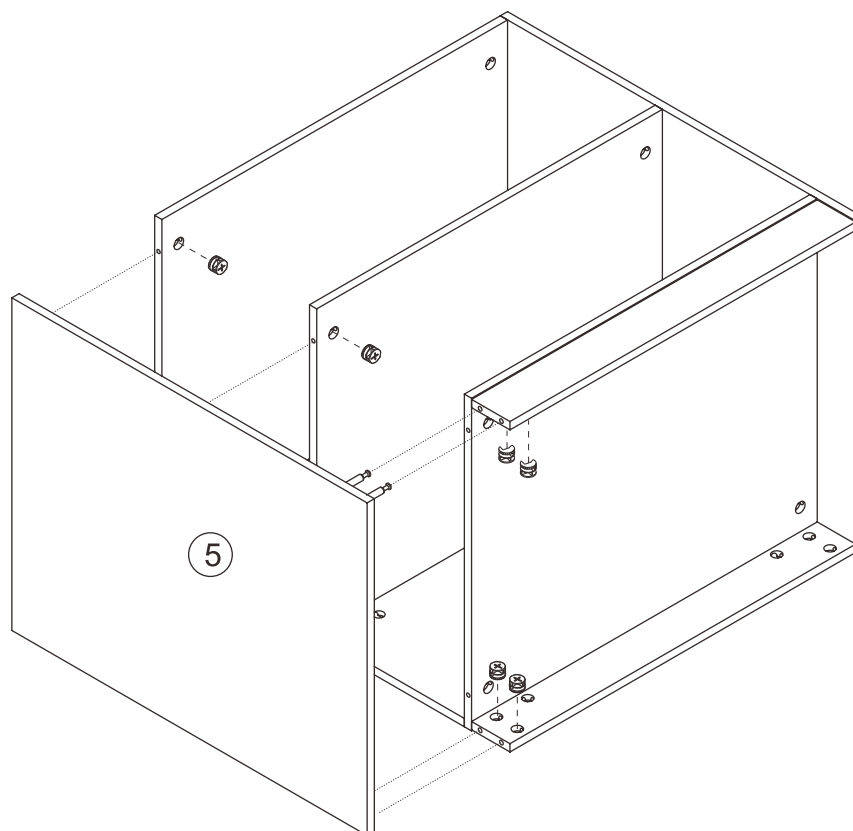
5.



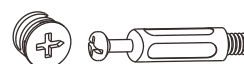
Ax10



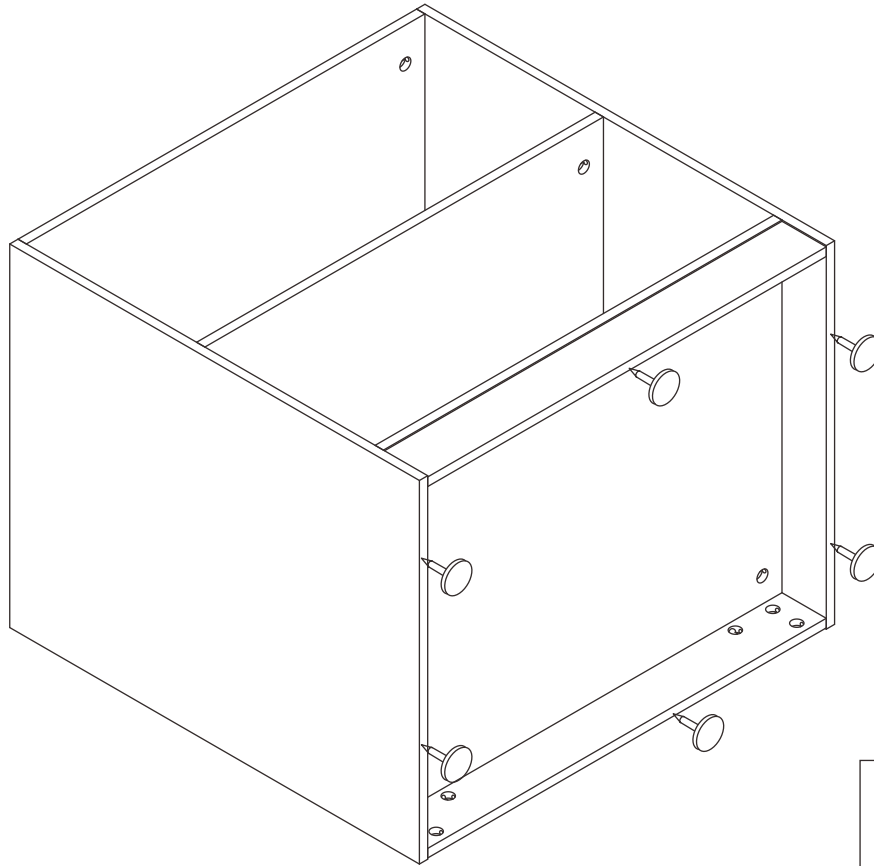
6.



Ax10



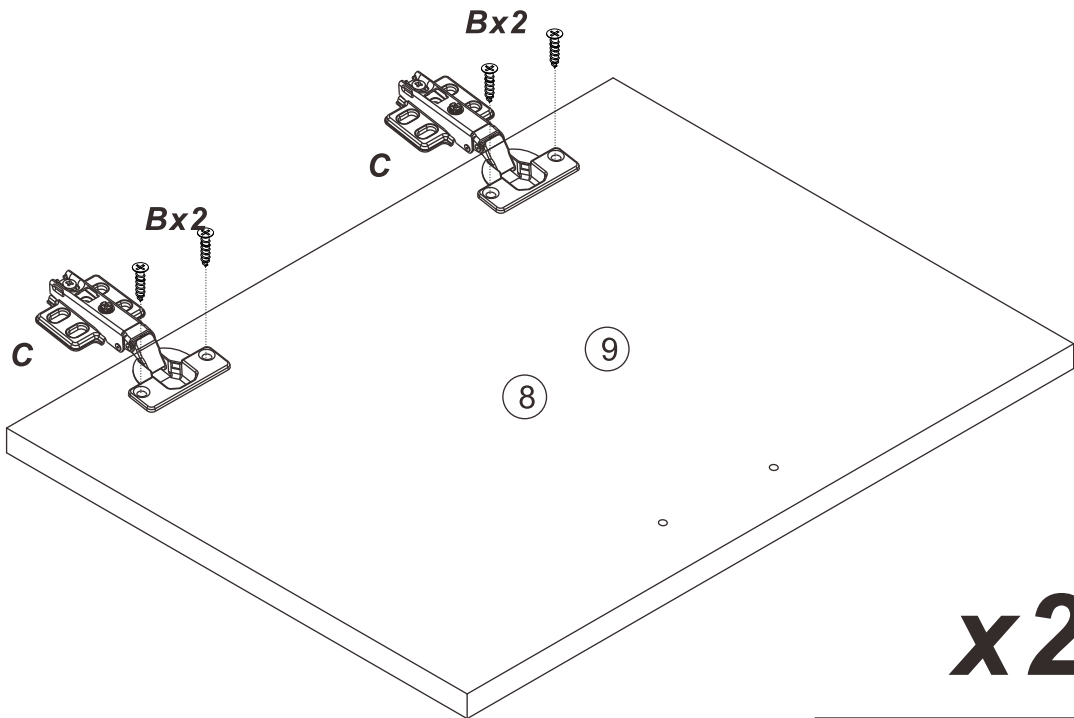
7.



Dx6



8.



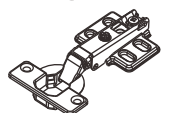
x2

Rx8

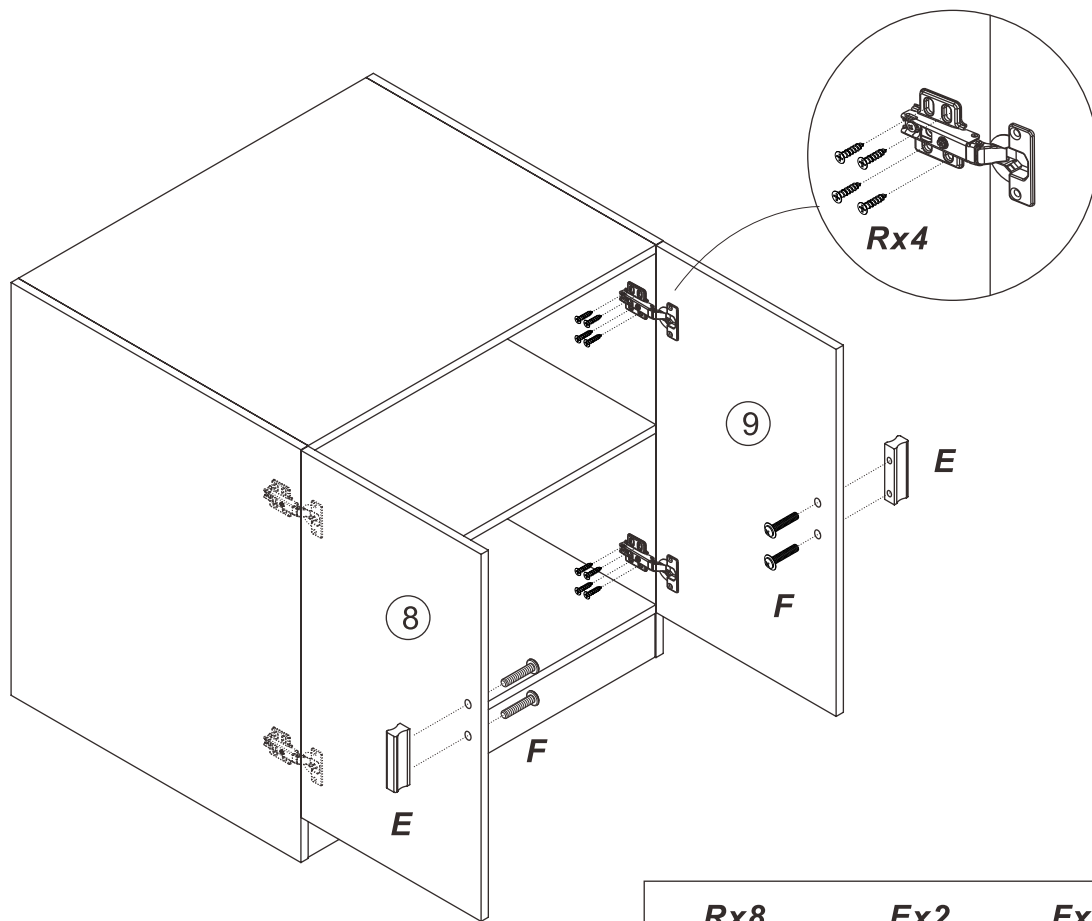



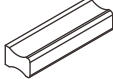

3.5*14

Cx4

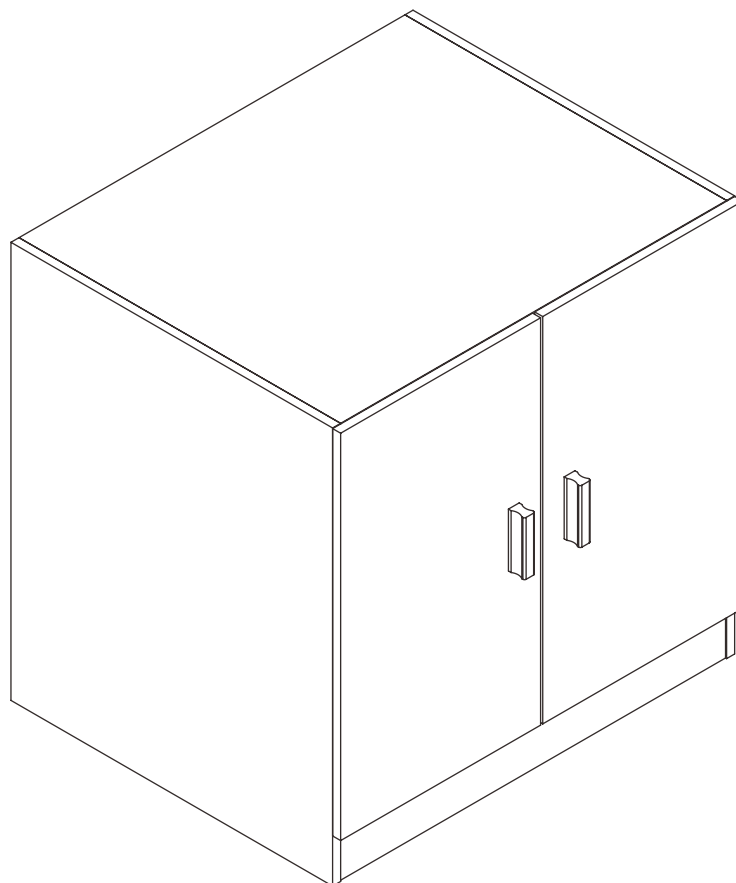


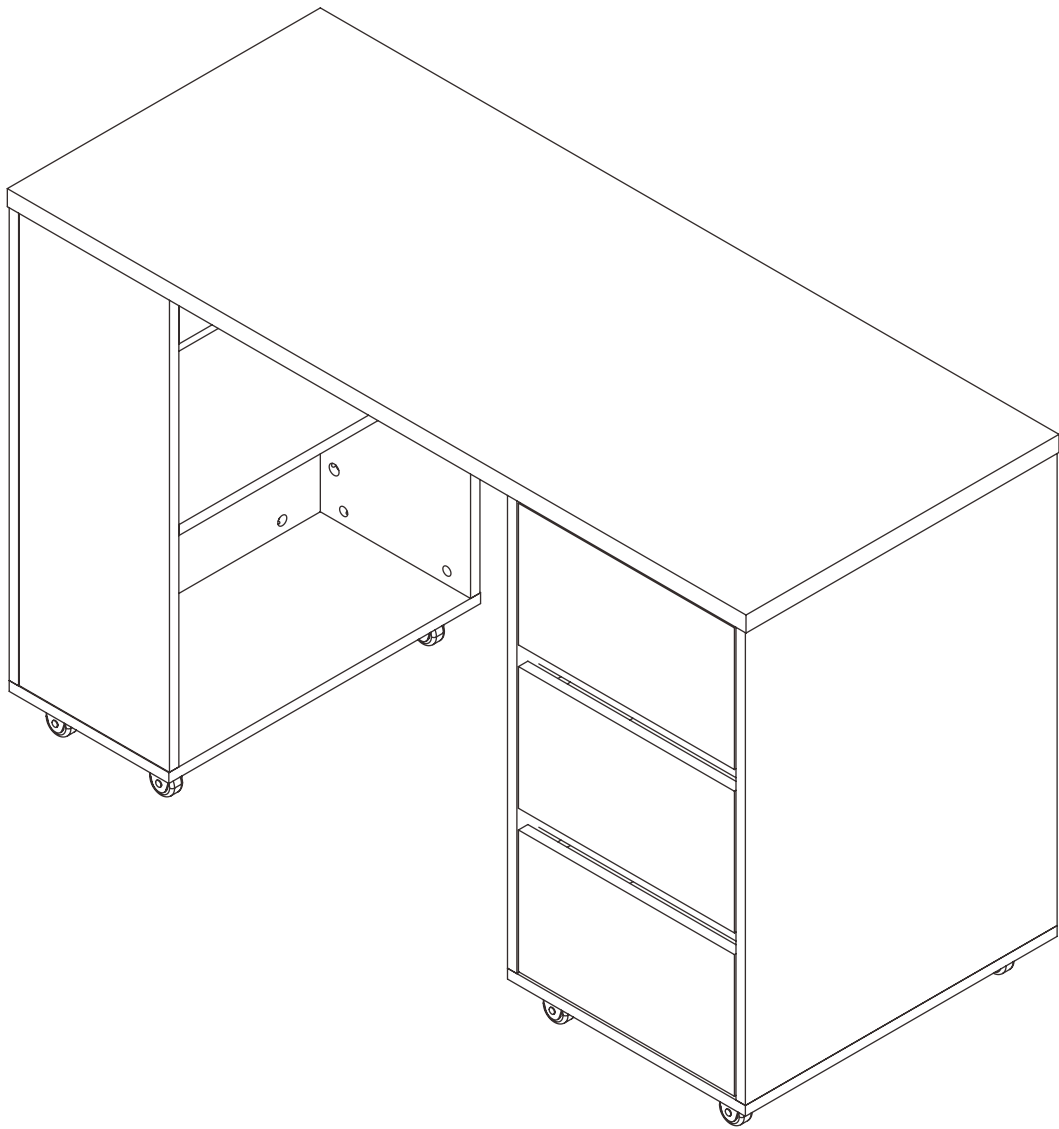
9.



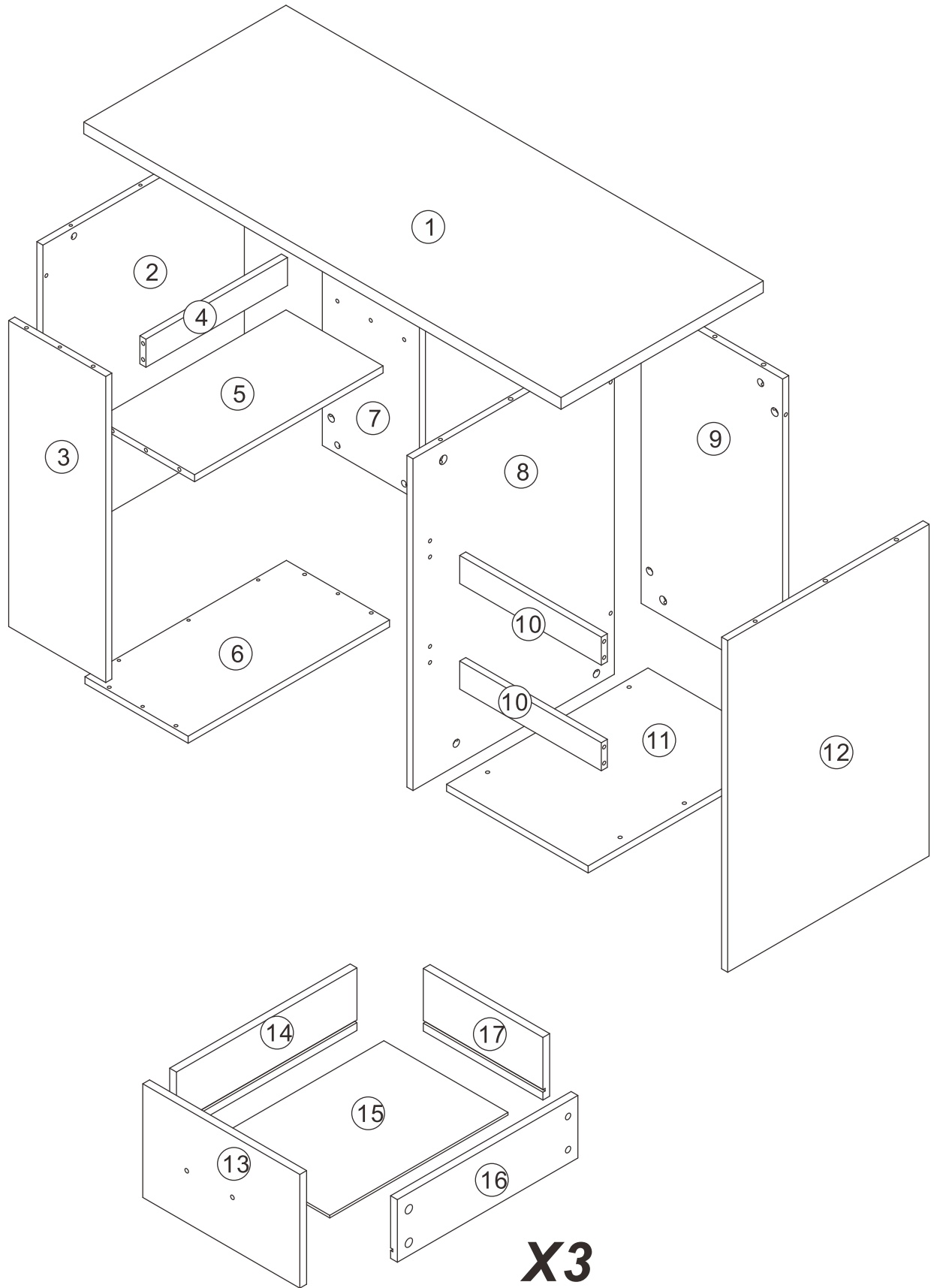
<i>Rx8</i>	<i>Ex2</i>	<i>Fx4</i>
		
3.5*14		

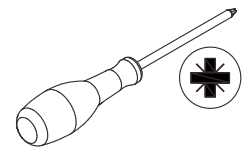
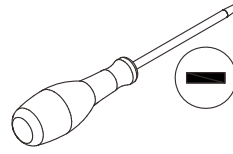
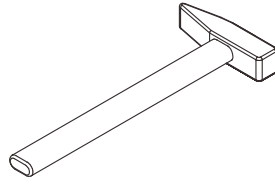
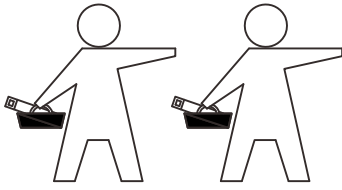
10.



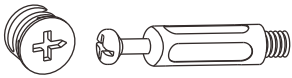


P37-P50





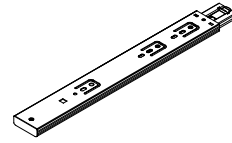
Ax48



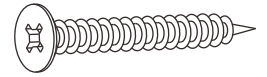
Bx12



Cx2

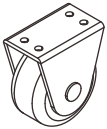


Dx12

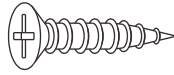


M3.5*35

Ex8

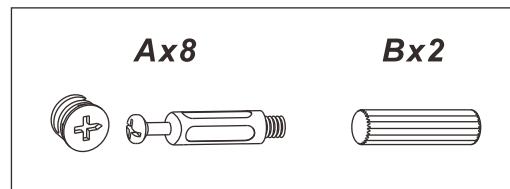
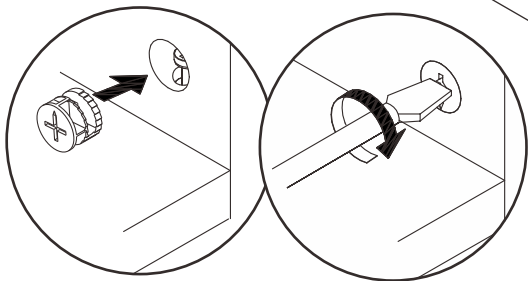
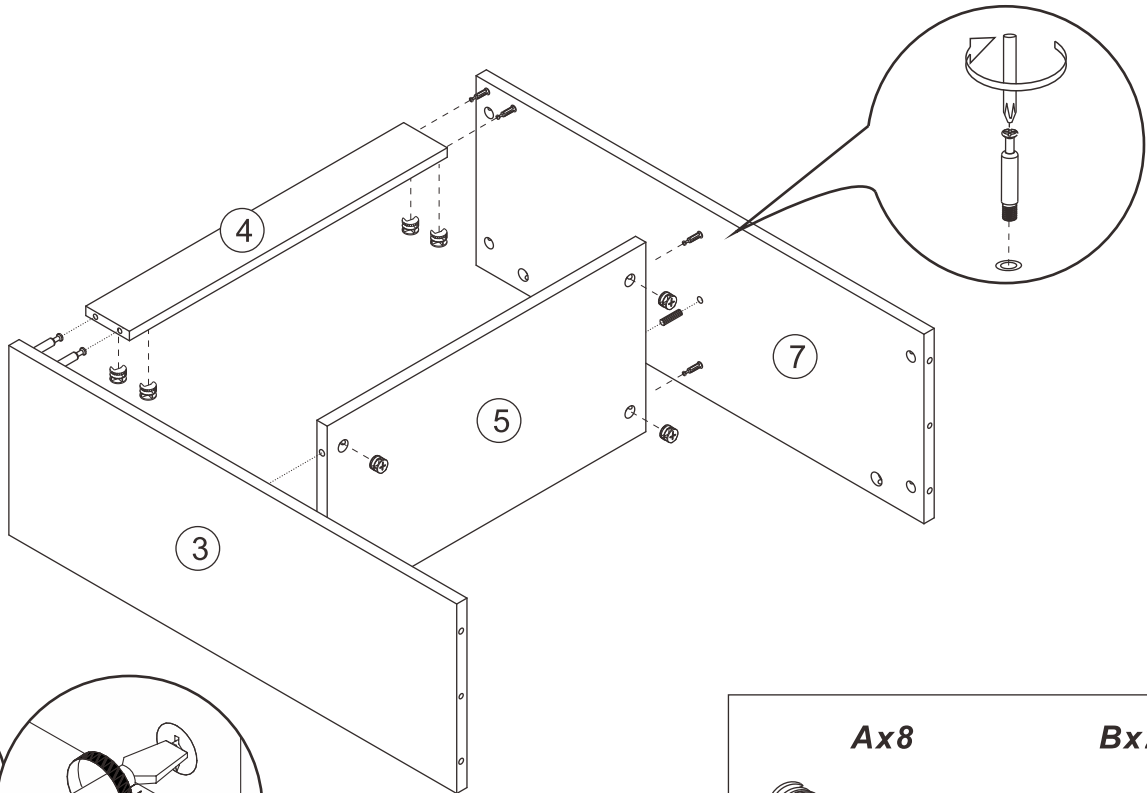


Fx66

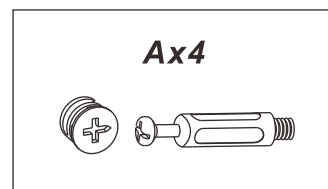
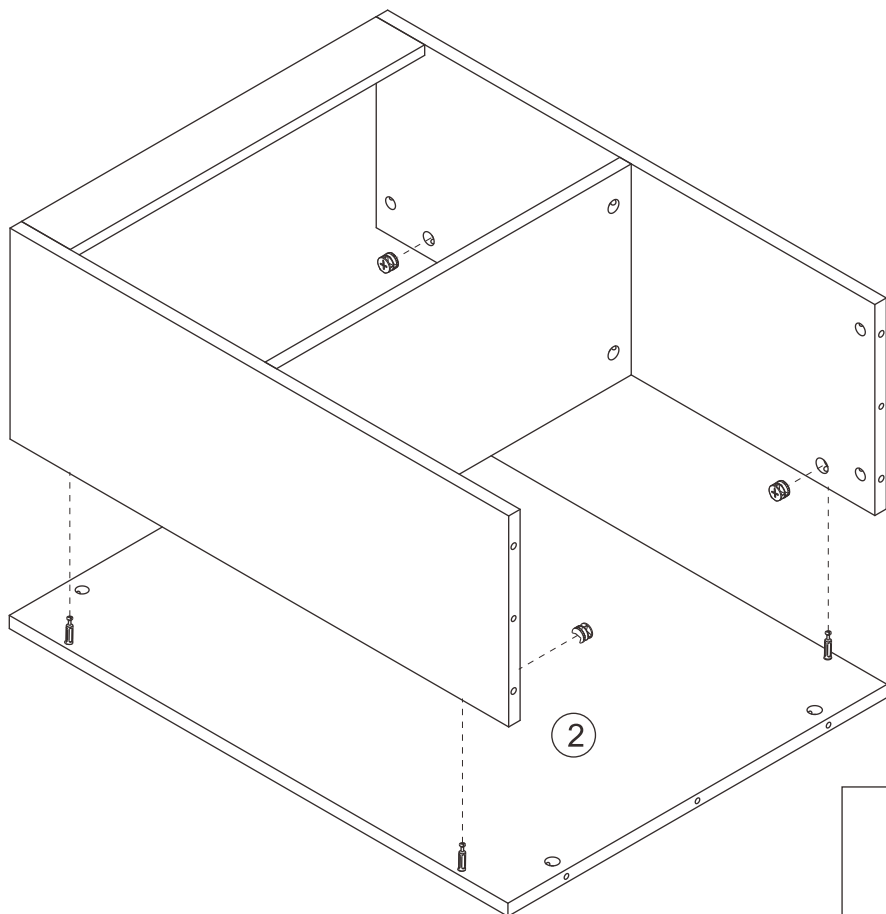


3.5*14

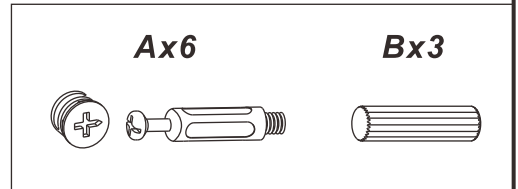
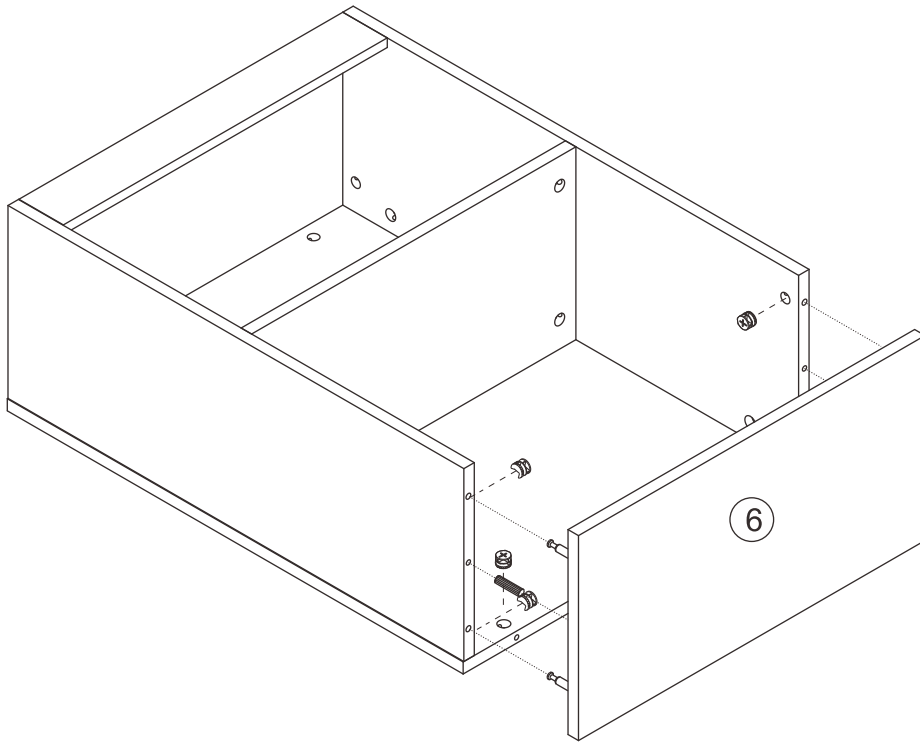
1.



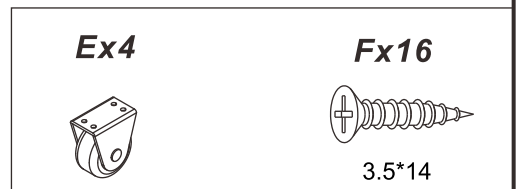
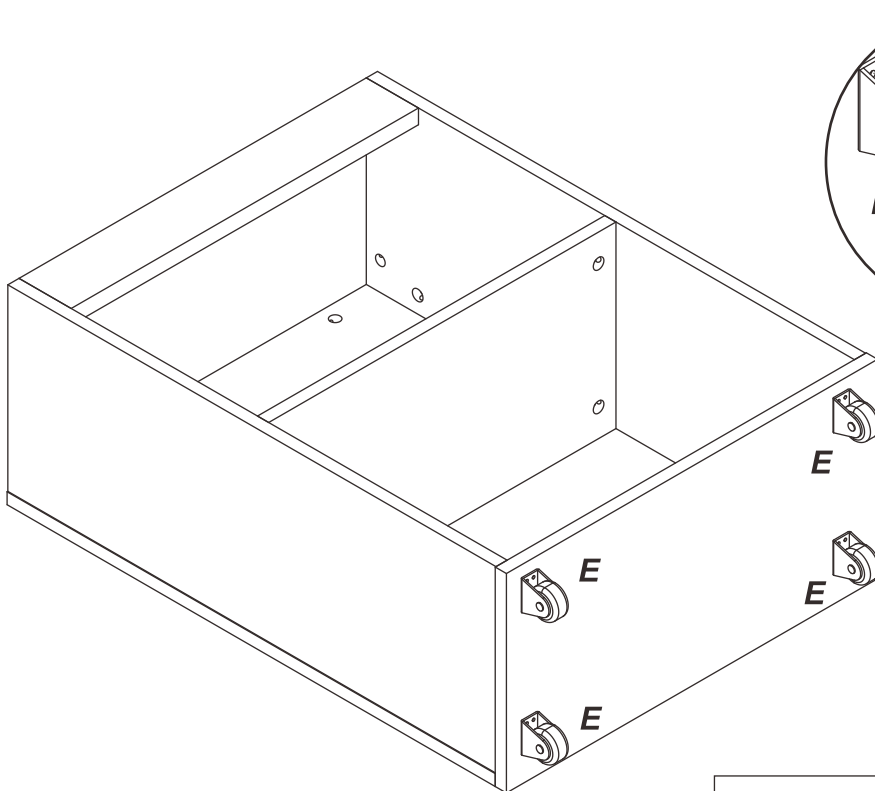
2.



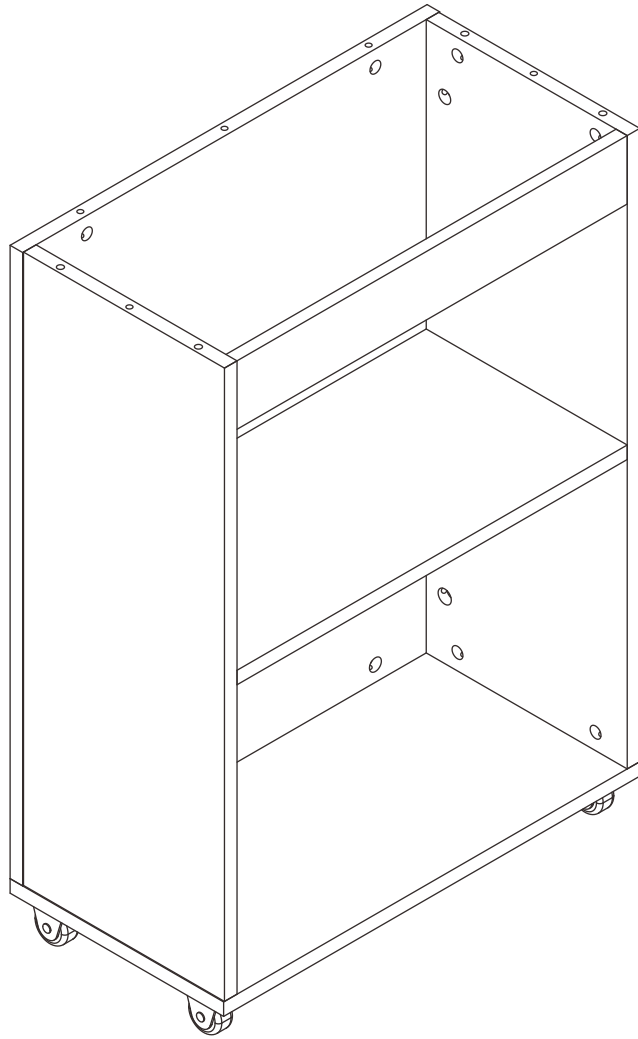
3.



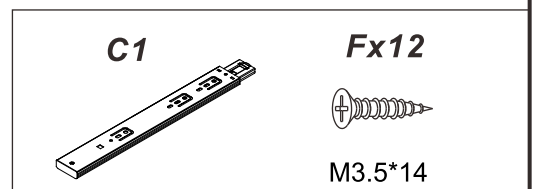
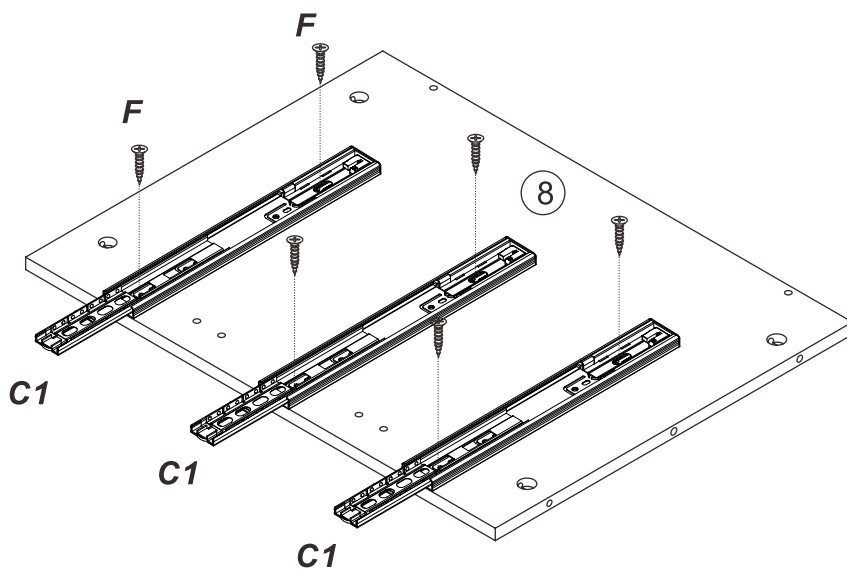
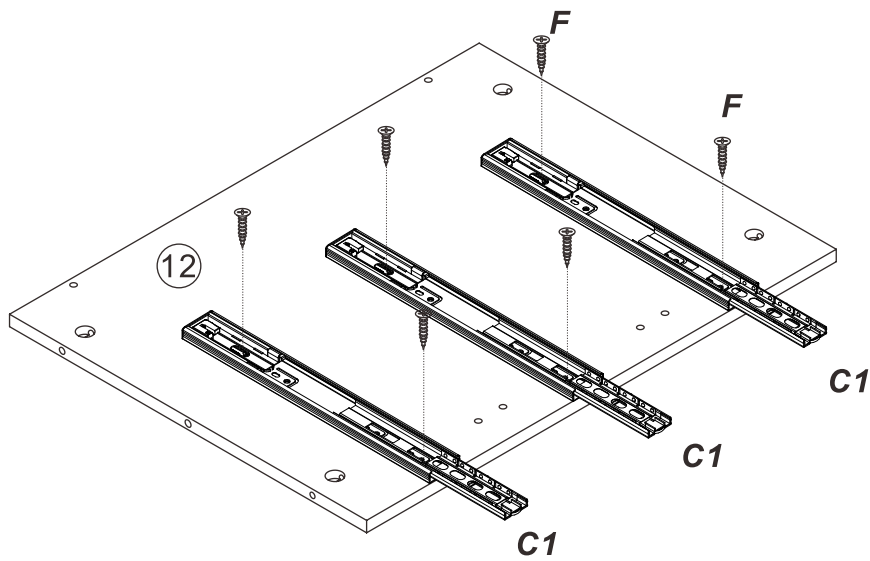
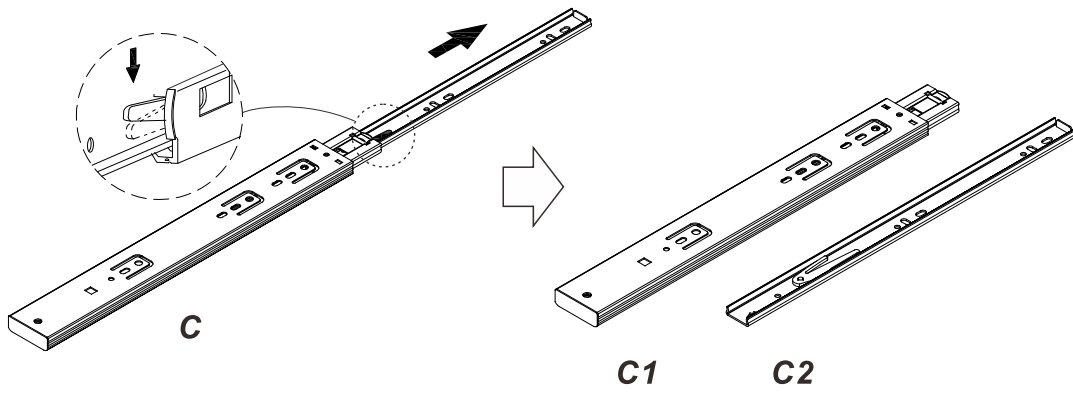
4.



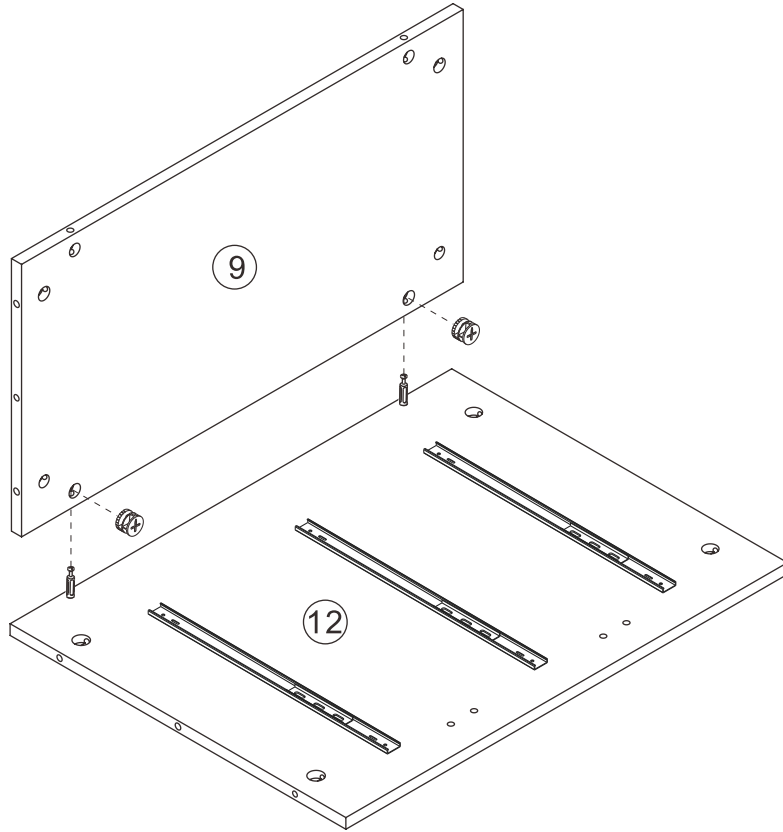
5.



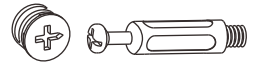
6.



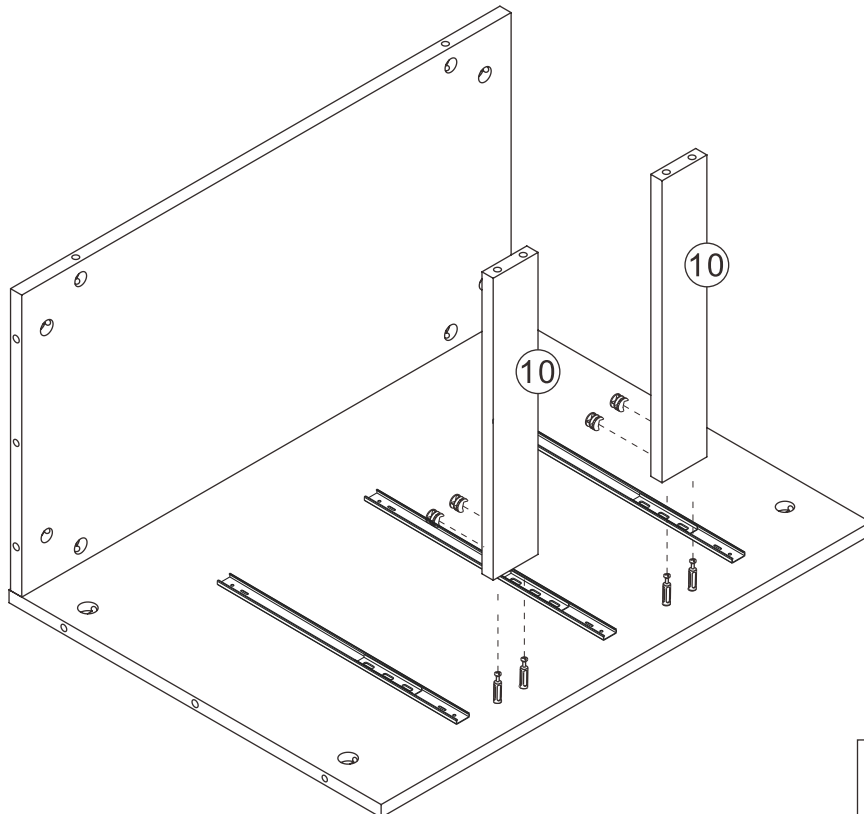
7.



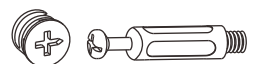
Ax2



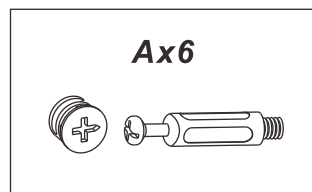
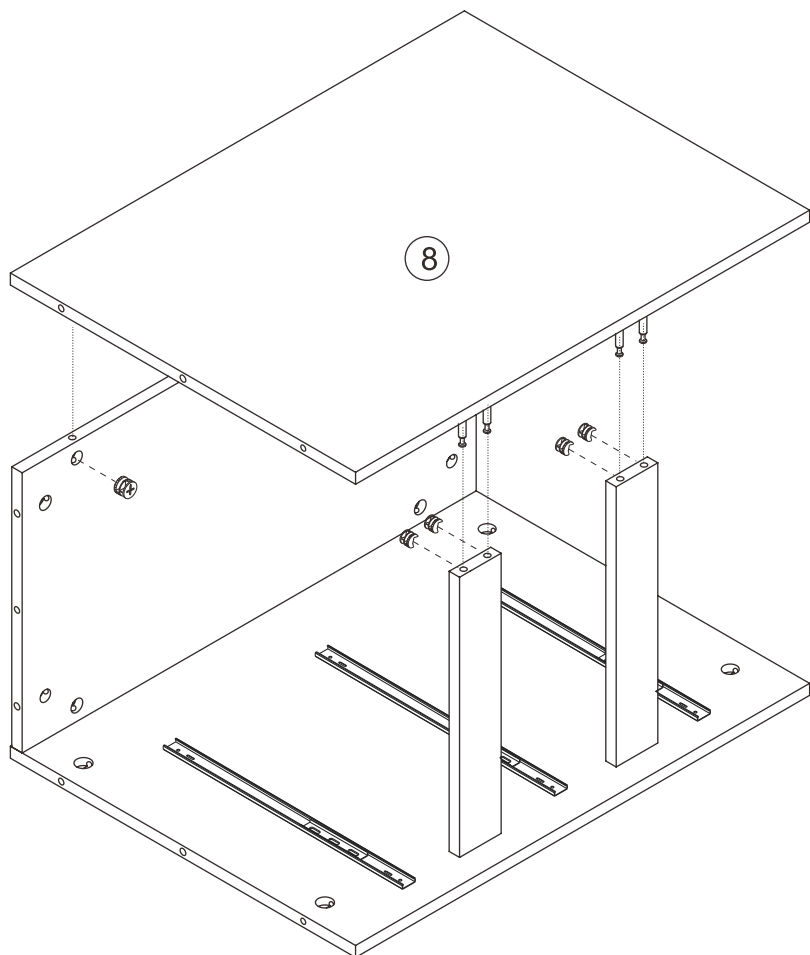
8.



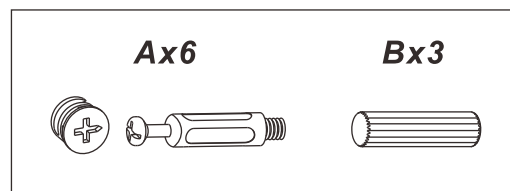
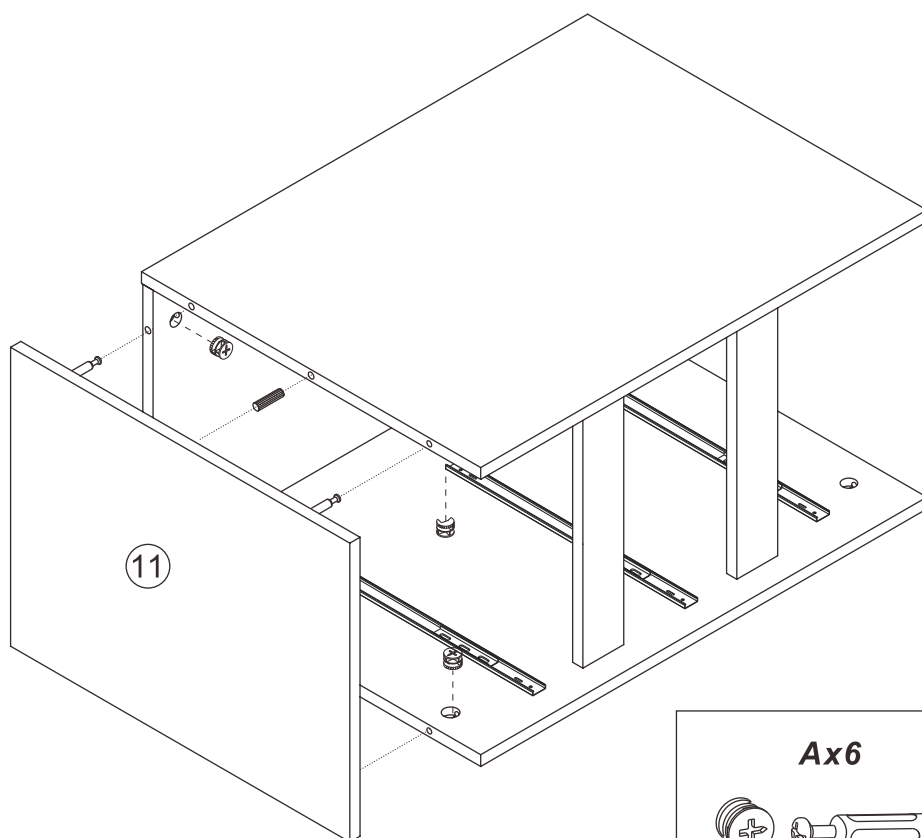
Ax4



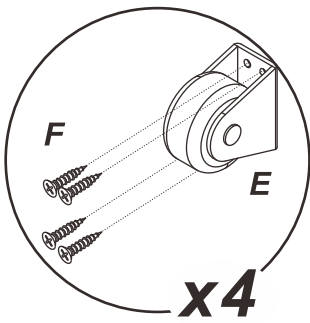
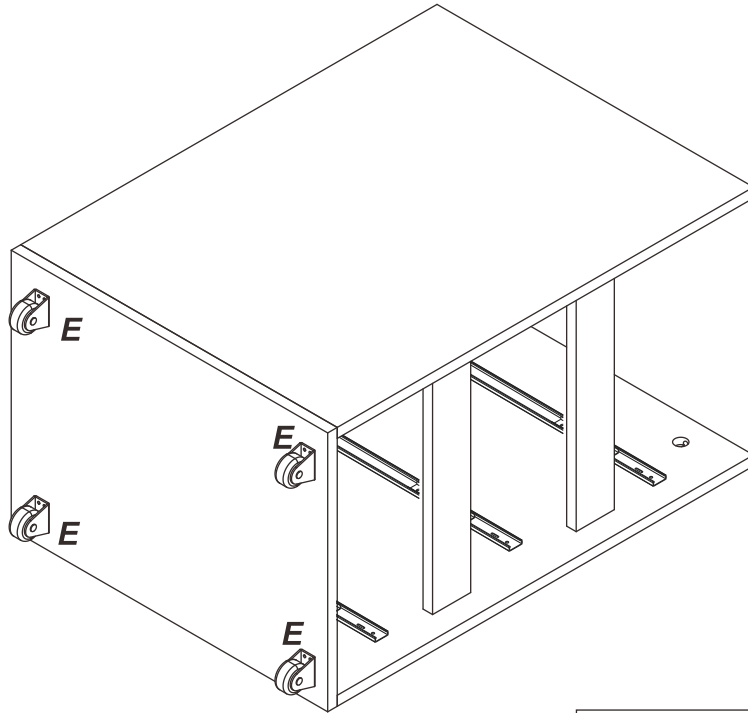
9.



10.



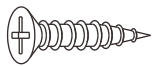
11.



Ex4

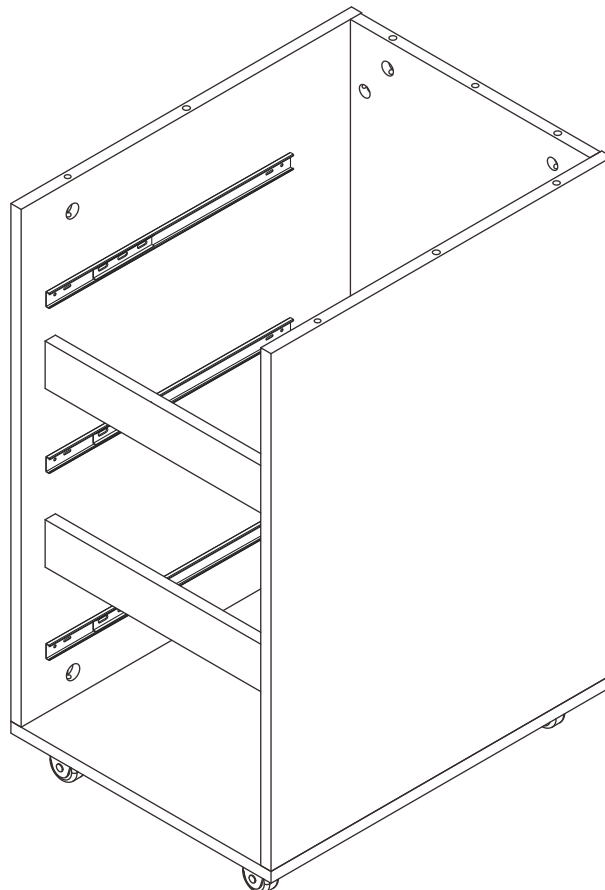


Fx16

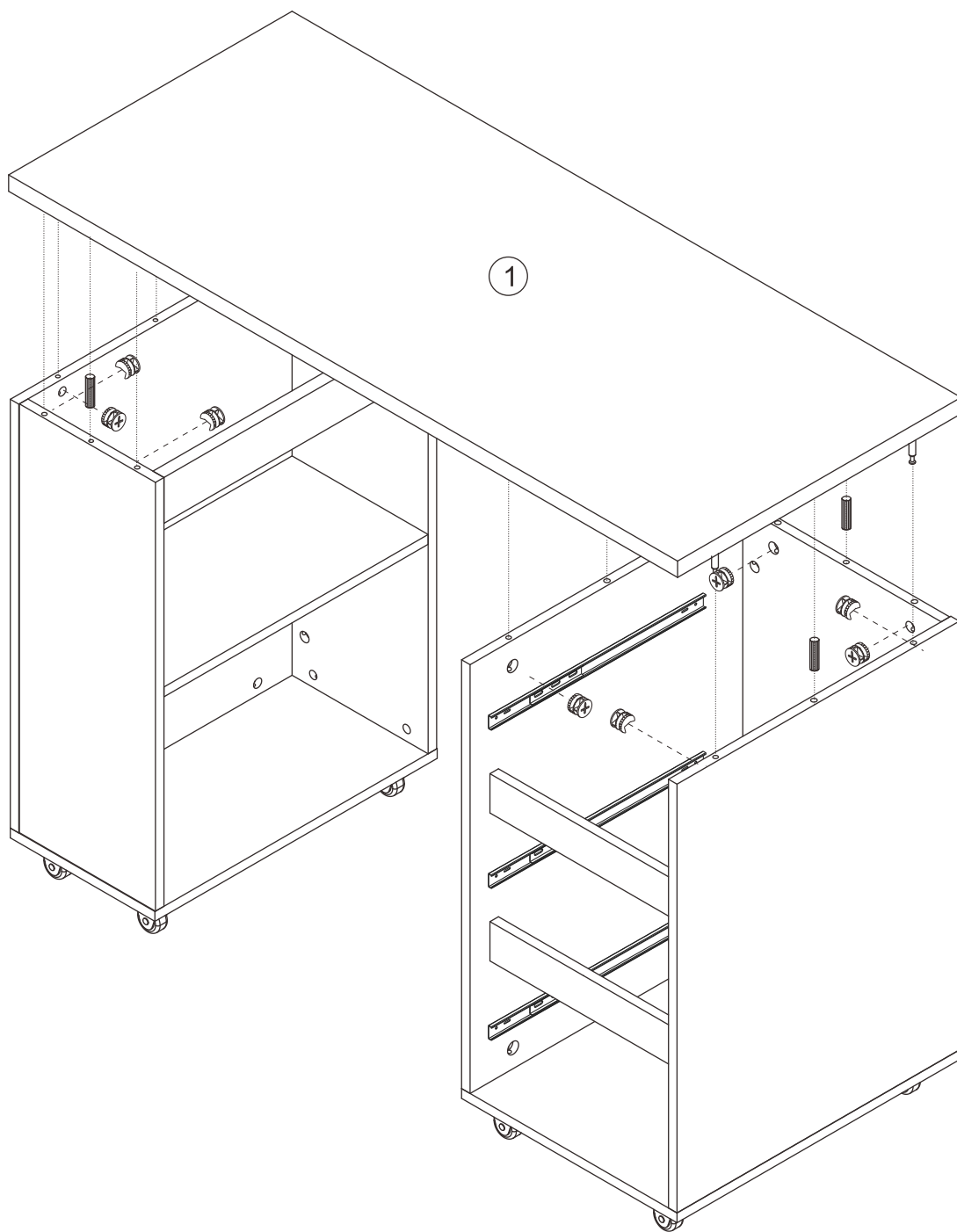


3.5*14

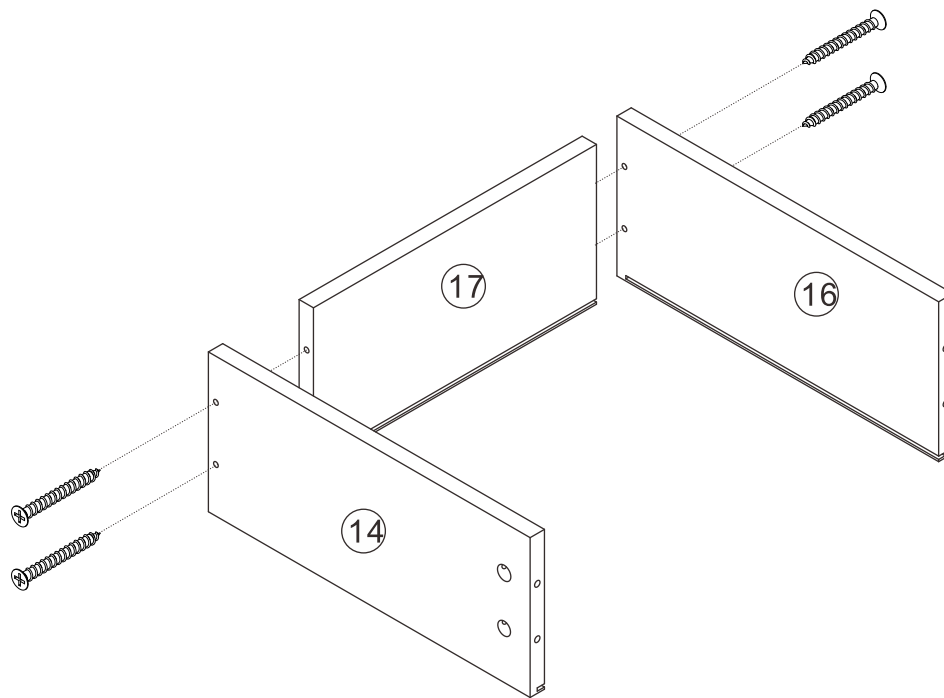
12.



13.



14.

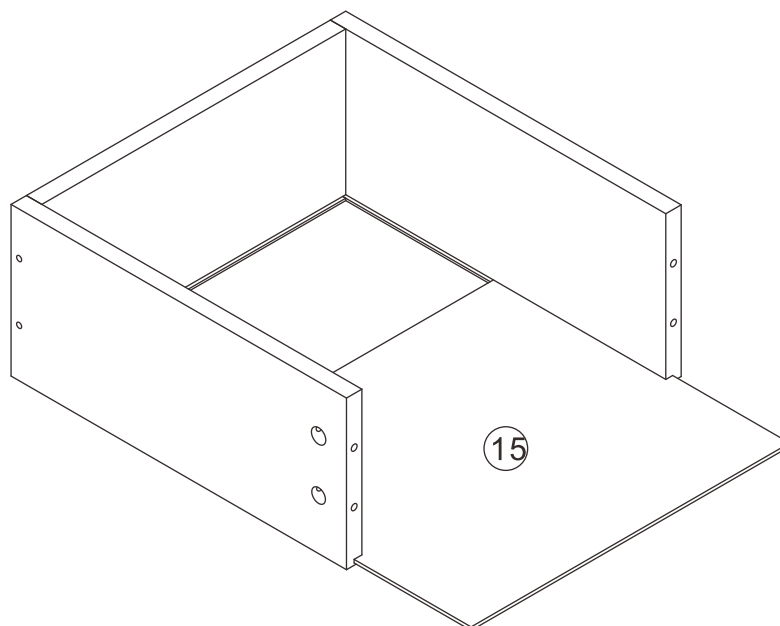


Dx4

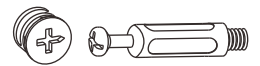
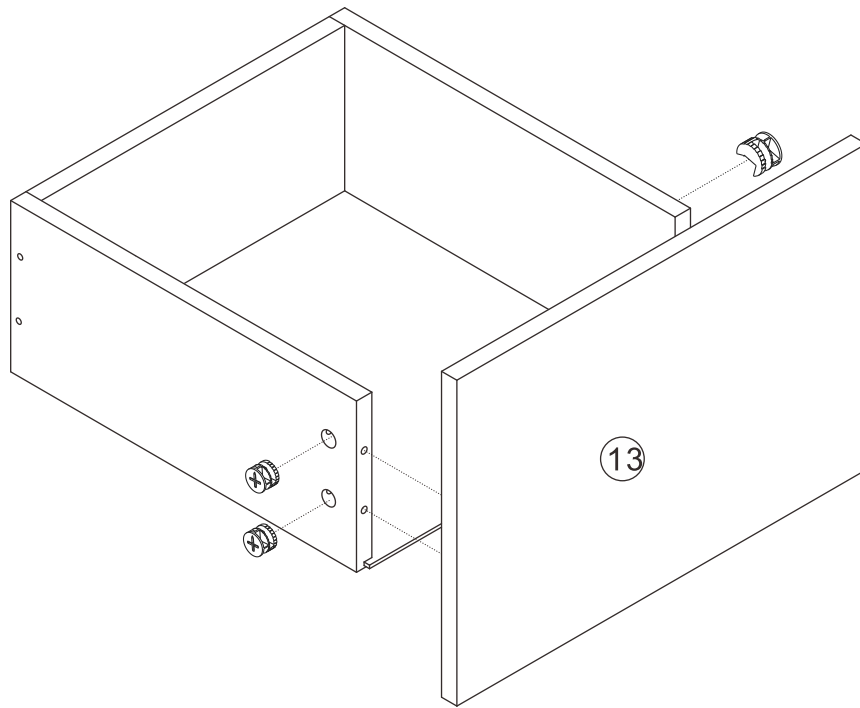


M3.5*35

15.

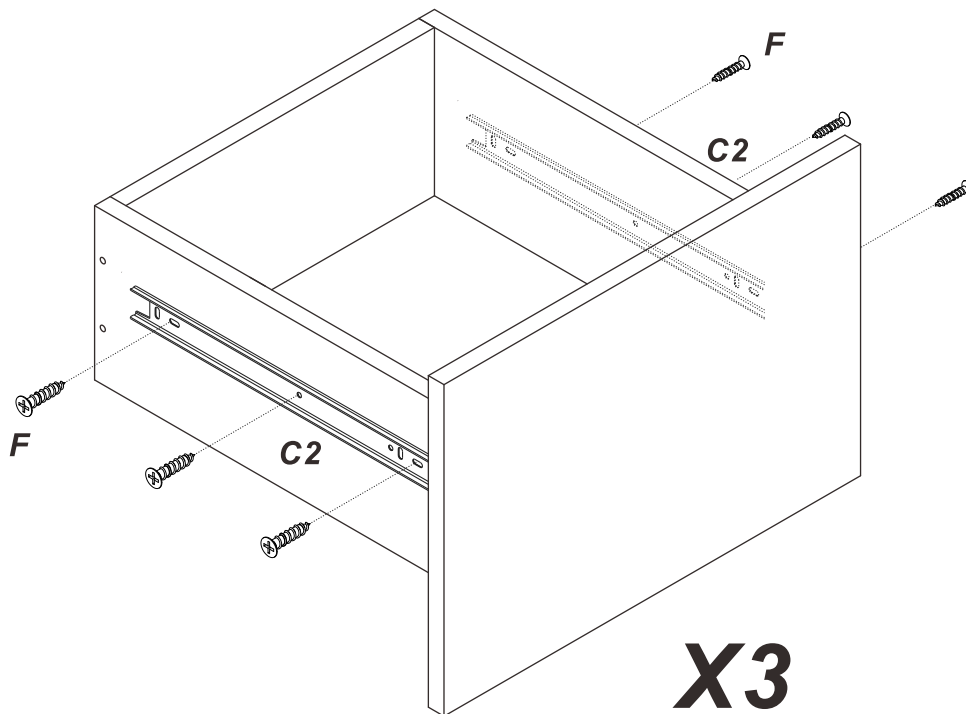


16.



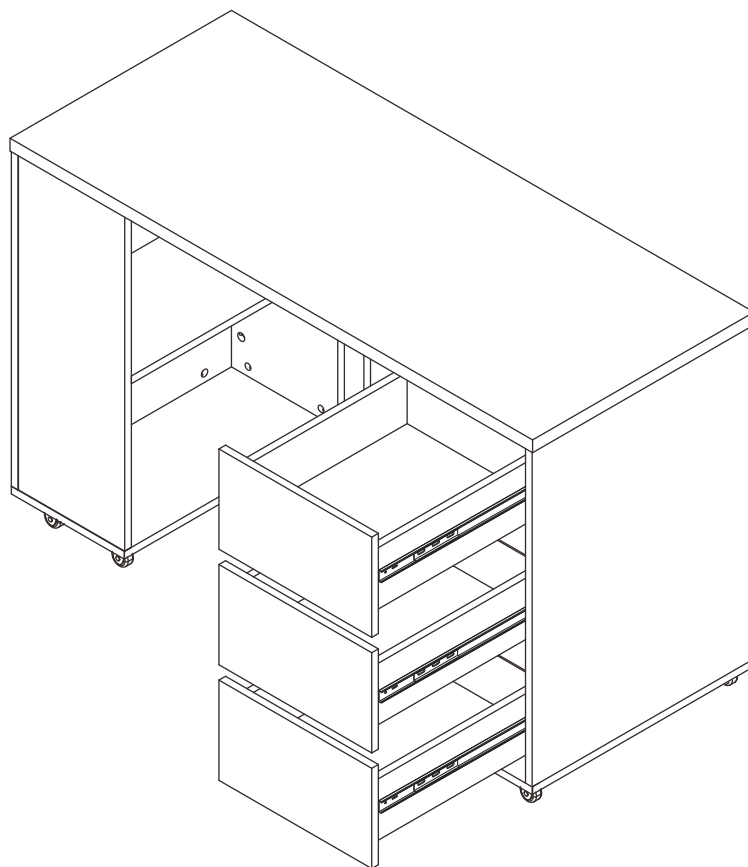
Ax4

17.



3.5*13
Fx6

18.



19.

