







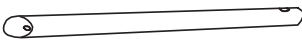



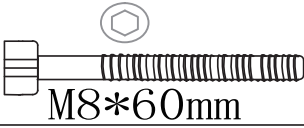



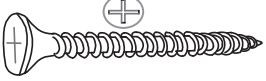





Scan and watch the installation video



ASSEMBLY INSTRUCTIONS

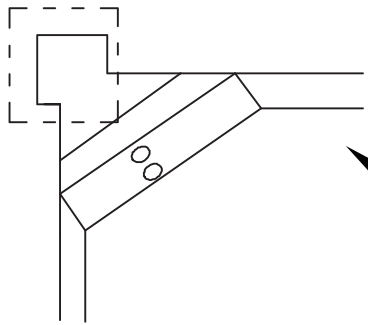
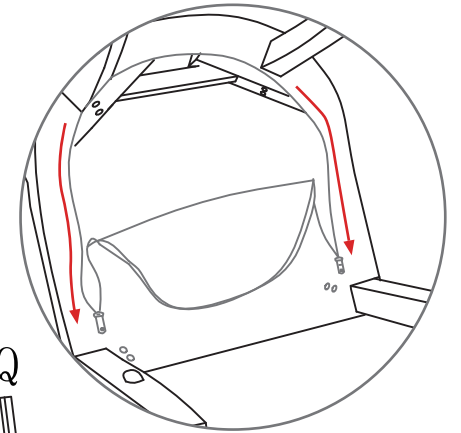
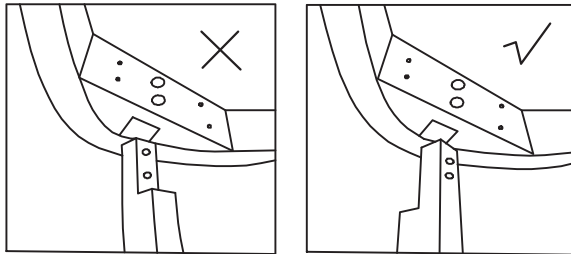
A		X 1PC
B		X 1PC
C		X 1PC
D		X 1PC
E		X 1PC
F		X 1PC
G		X 1PC
H		X 1PC
I		X 1PC

J		X 2PCS
K	 M8*60mm	X 4PCS
L	 M8*50mm	X 4PCS
M	 M8	X 8PCS
N	 M8*22mm	X 8PCS
O	 5*40mm	X 4PCS
P	 M6*25mm	X 4PCS
Q	 M8	X 1PC
R	 M6	X 1PC

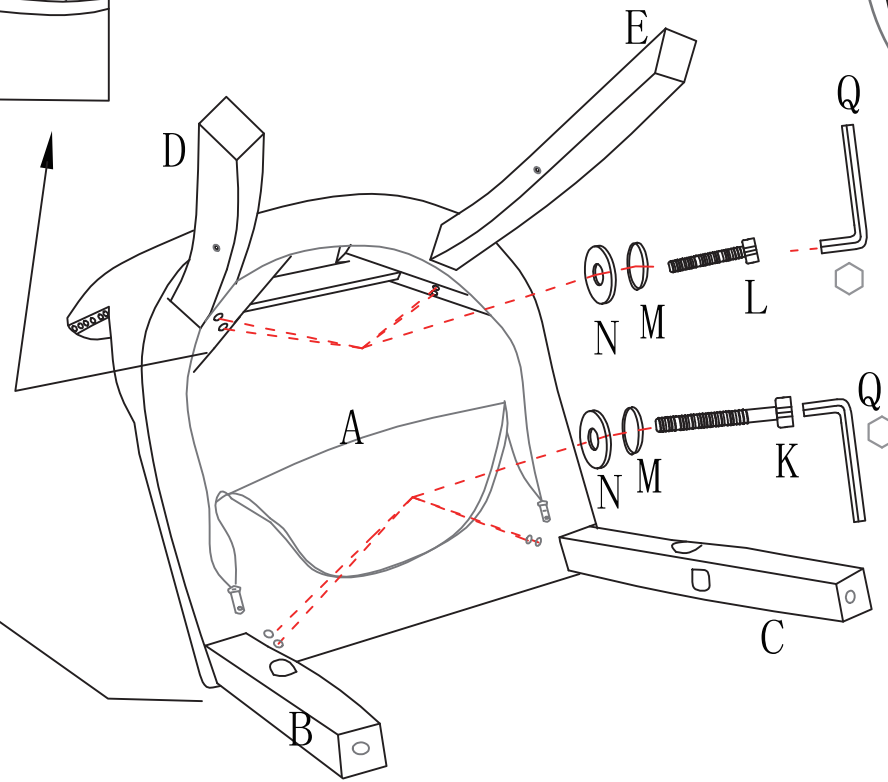
ASSEMBLY INSTRUCTIONS

①

1.The legs are hidden under the seat frame.



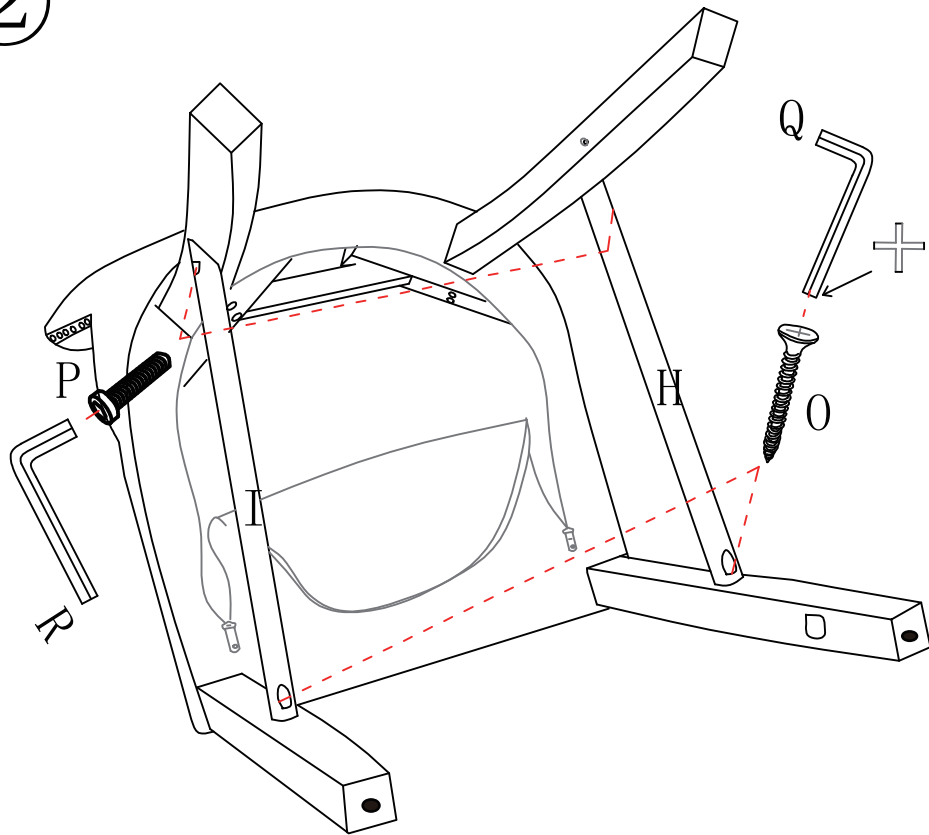
2.Put the front leg in the dotted box place, if you put it in the wrong place, it still can work, but the uneven force will cause the leg to break.



3.Tighten all the screws to 80% of maximum tightness.

ASSEMBLY INSTRUCTIONS

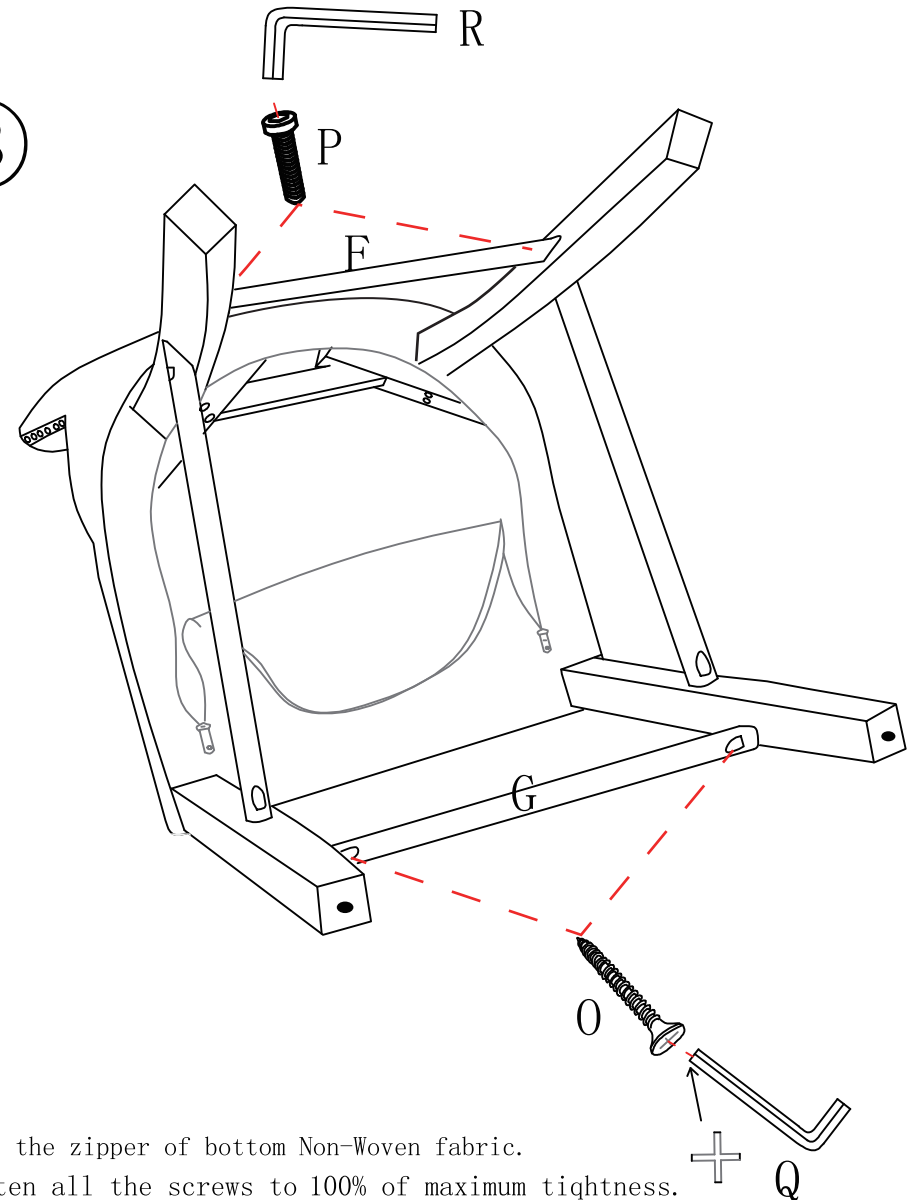
②



Caution: The bars H and I should be in horizontal position after installation. If not, the most possible reason is the rear feet were not installed correctly. Please check and swap the left and right rear feet.

Tighten all the screws to 80% of maximum tightness.

③

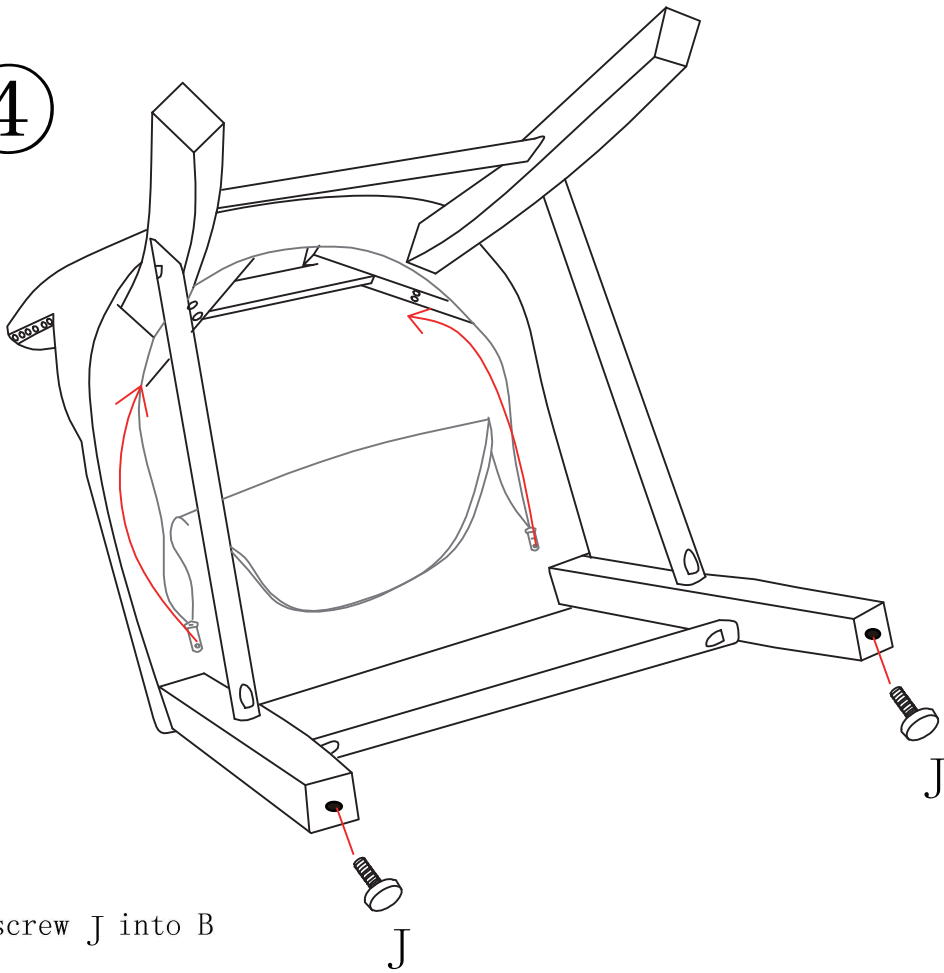


Close the zipper of bottom Non-Woven fabric.
Tighten all the screws to 100% of maximum tightness.

There are 2 small adjusters on the front legs, ensure these are adjusted so the chair sits level.

ASSEMBLY INSTRUCTIONS

④



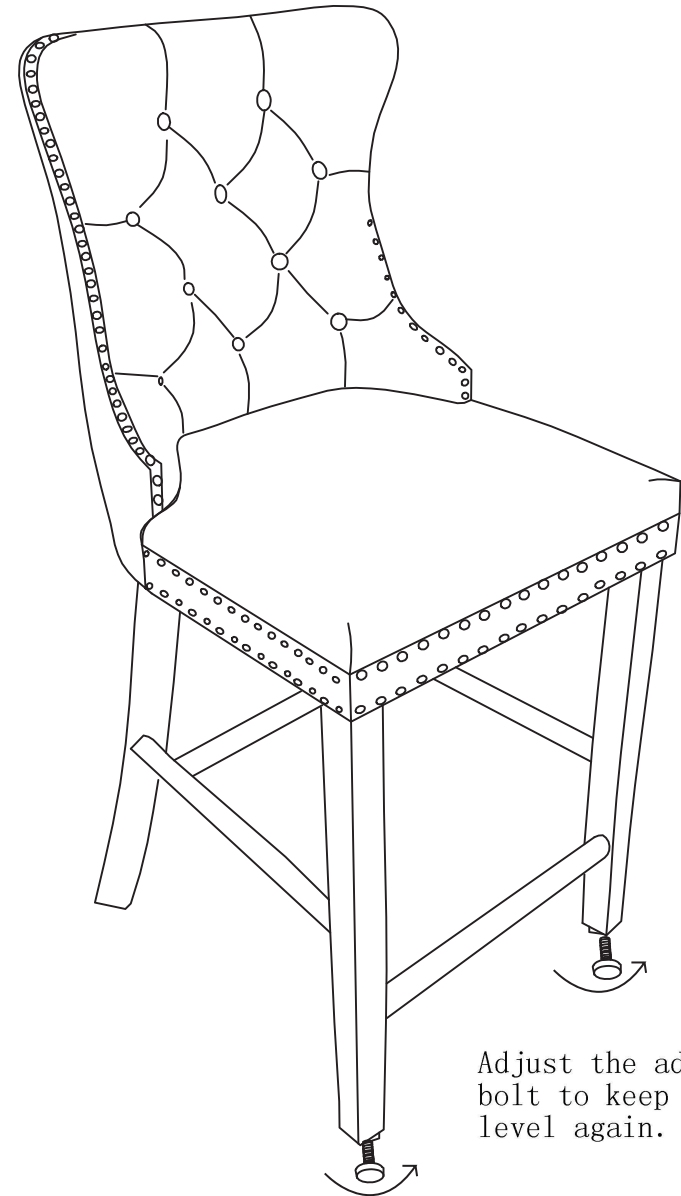
1. screw J into B

2. Carefully sit on the chair and make adjustments to ensure the legs are flat even on the floor.

3. Tighten all the screws to 100% of maximum tightness

4. Close the zipper of bottom Non-Woven fabric.

⑤



Adjust the adjuster bolt to keep the chair level again.

WARNING:

DO NOT STAND ON THE PRODUCT, DO NOT USE THIS PRODUCT AS A STEP LADDER.
DO NOT USE THIS PRODUCT UNLESS ALL BOLTS, SCREWS AND KNOBS ARE FIRMLY SECURED.
PLEASE DO NOT USE KNIFE TO OPEN ANY PARTS OF THE BOX OR PRODUCT.