

● Breakdown phenomenon and settlement

Phenomenon	Reasons	Maintenance
Without steam	<ol style="list-style-type: none"> 1.steam generator without water. 2.inside infrared pipe burn out of steam generator 3.block of steam spray mouth. 4.probe out off control. 5.the temperature inside steam room is over the temperature what were set. 6.after fill into water it is still not the time for steam working. 7.it is overtime for the setting time. 8.disconnect with the control wire. 	<ol style="list-style-type: none"> 1.check if the switch of water in be turn or not. 2.change the infrared pipe. 3.get rid of mess. 4.check the connection wire and change the probe. 5.waiting decrease the temperature. 6.be waiting few minutes. 7.adjust the setting time. 8.connect to control wire.
Water pipe leaking	<ol style="list-style-type: none"> 1.plastic seal ring be connected untightly. 2.screws unlock. 3.connection is glued not good. 4.water pipe be damaged. 	<ol style="list-style-type: none"> 1.change the plastic seal ring. 2.screws should be installed tightly. 3.get rid of the PVC glue then stick the glue again till it is be well done. 4.change the water pipe.
Computer panel under control	<ol style="list-style-type: none"> 1.electronic power not be connected well. 2.leakage device without power. 3..switch of control panel out of control. 	<ol style="list-style-type: none"> 1.get through the power again 2.change the computer panel.
Without lighting	<ol style="list-style-type: none"> 1.bulb be burned. 2.without power. 3.switch of control panel out of control. 	<ol style="list-style-type: none"> 1.change bulb. 2.get through power gain. 3.maintain or change the computer panel.
Telephone connection unworking	<ol style="list-style-type: none"> 1.telephone wire not connected well or be damaged. 2.telephone's device be blocked. 	<ol style="list-style-type: none"> 1.check the wires of telephone and electronic box if get through or not, if there is something wrong replace by the similar wires. 2.get rid of mess.
Without sounds	<ol style="list-style-type: none"> 1.speaker be broken. 2.without power. 3.switch of control panel out of control. 	<ol style="list-style-type: none"> 1.change the speaker. 2.get through power again. 3.maintain or change the computer panel.

No advanced advice will be submit before we change our design and size.

The pictures may be a little different from the real products.

Our company keep the final explanation right.



Mesda

Install manual

Steam bathroom

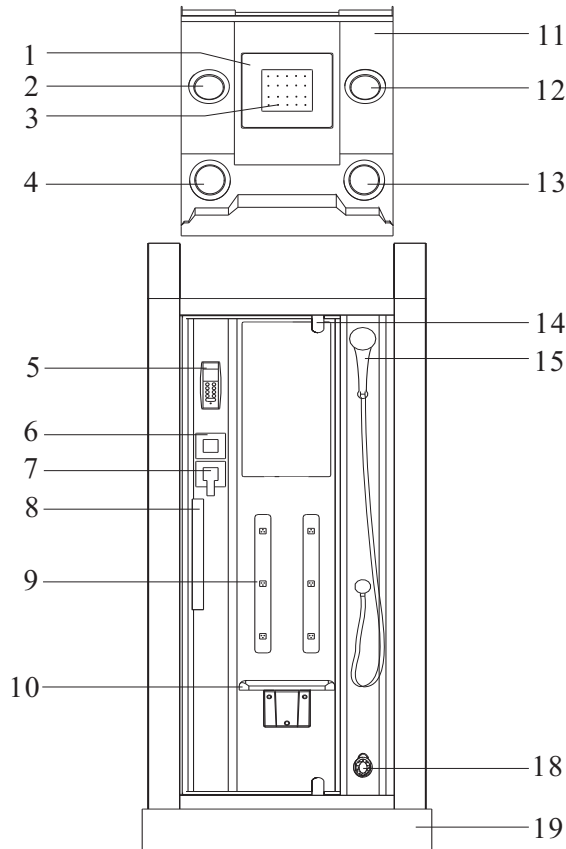
MODEL : WS-502



FOREWORD

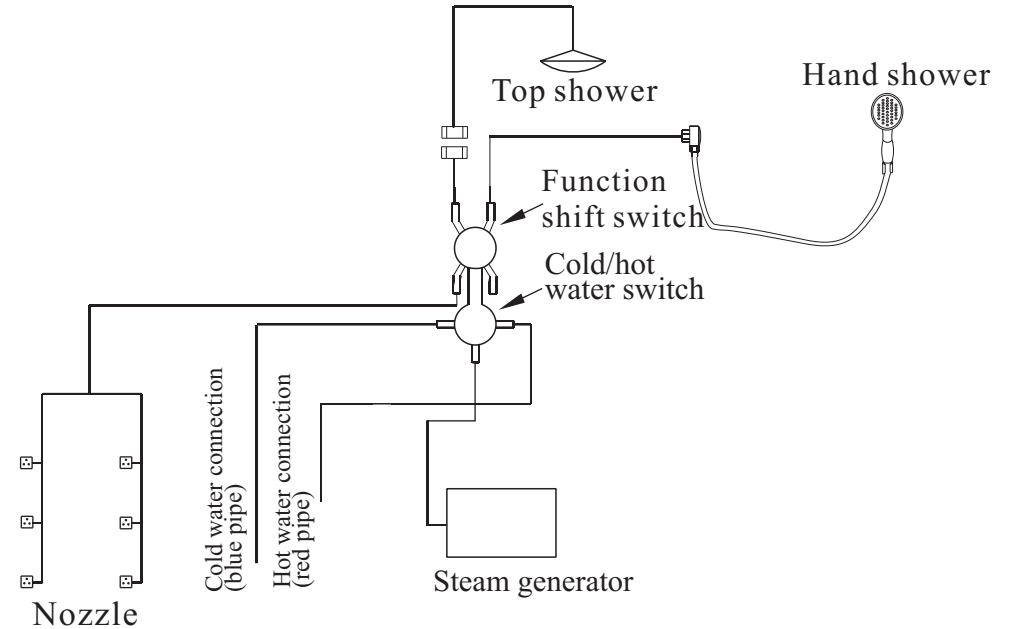
Welcome to purchase our steam bathroom. For use function of the unit well and dose not any trouble in using this product. For perfect operation and security, please read the manual carefully and keep it for the future reference. No further notice will be submitted if any changes in products. The explain property rights owned by our company if there is no any particular or mistake about it.

● Identification of components



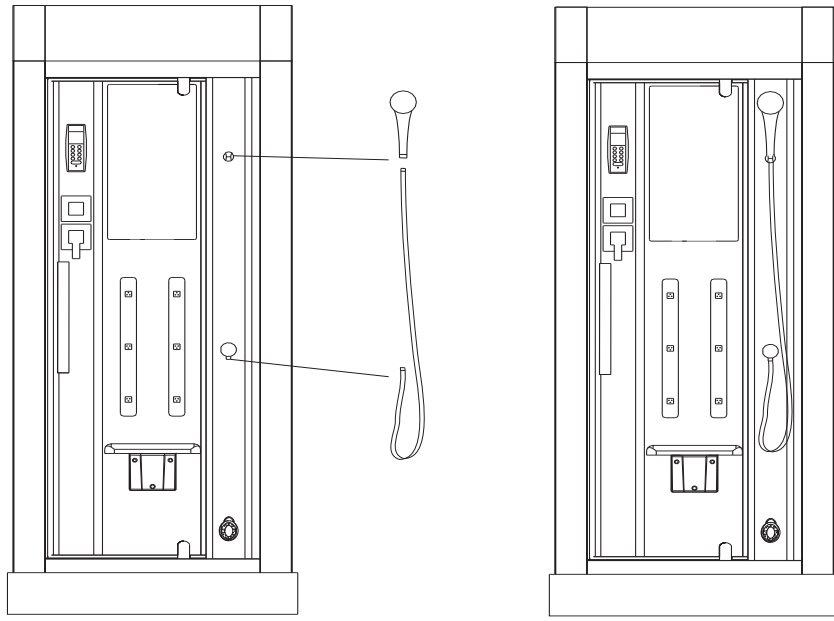
- 1. Top light
- 2. Exhaust fan
- 3. Top shower
- 4. Speaker
- 5. Control panel
- 6. Function shift
- 7. Hot/cold water switch
- 8. Handle
- 9. Nozzle
- 10. Seat
- 11. Roof
- 12. Ozone
- 13. Speaker
- 14. Hinge
- 15. Hand held shower
- 16. Steam outlet
- 17. Tray

● Drawing of water connection



● MAINTENANCE RECORDS

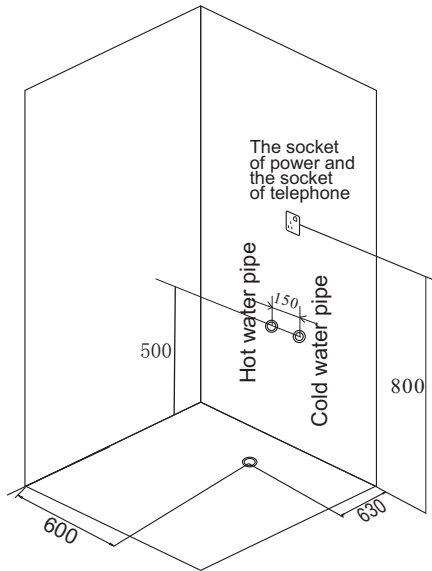
Date	Problems	Trouble shootings	Mechanic



Step 10

OK

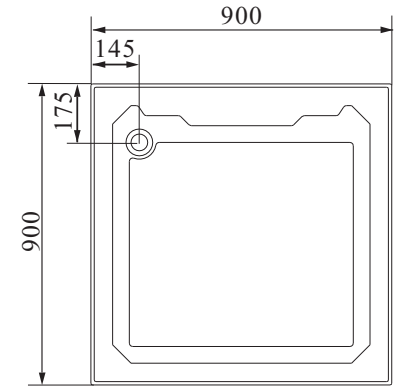
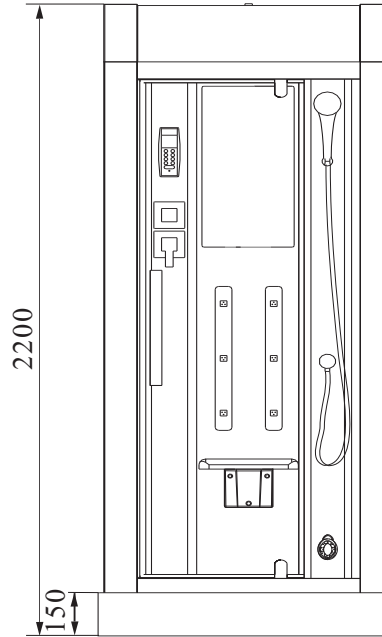
Notes



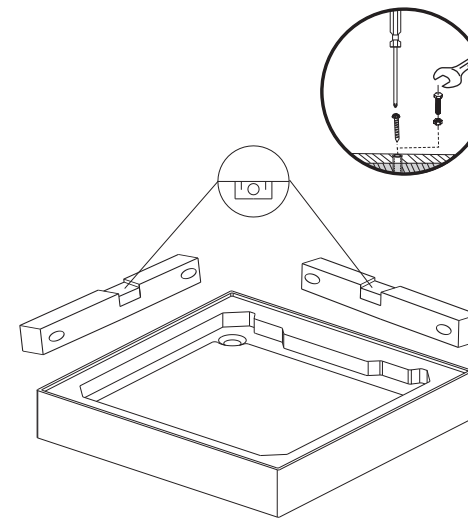
1. Install the steam bathroom in a proper way and have the electrician or professional personnel to install the unit, the company won't take the responsibility for any improper installation and usage.

2. The application of the product shall observe the operating instructions, dismantling and alteration without authorization is prohibited, the manufacturer shall not take the responsibility for any problems resulted from improper use or dismantling by one's self.

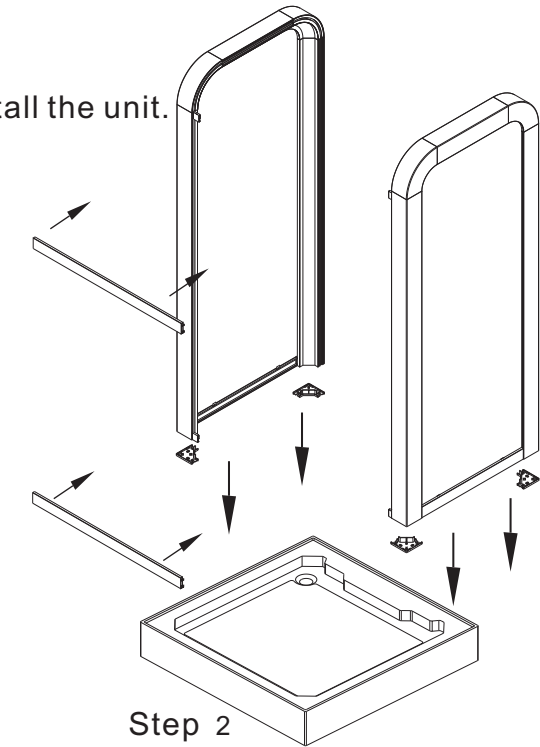
Size



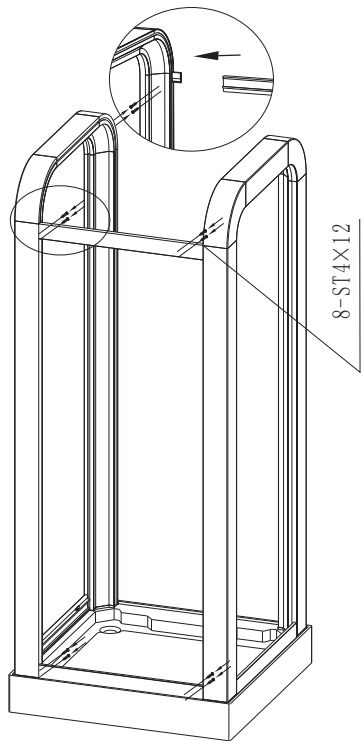
Please follow the steps to install the unit.



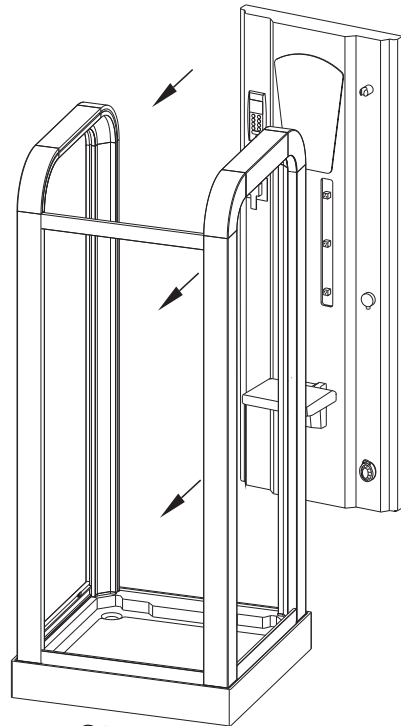
Step 1



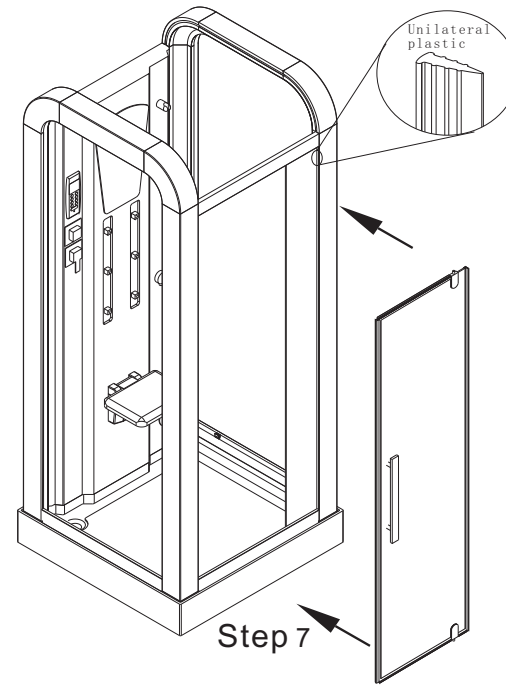
Step 2



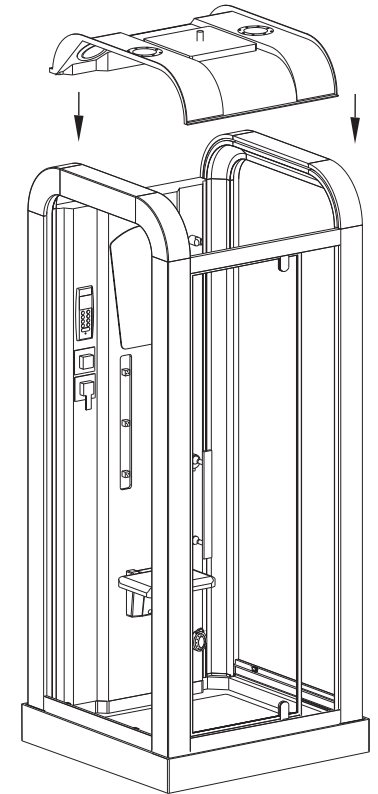
Step 3



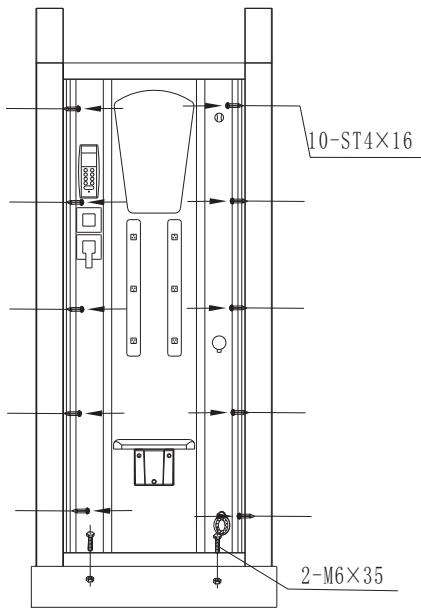
Step 4



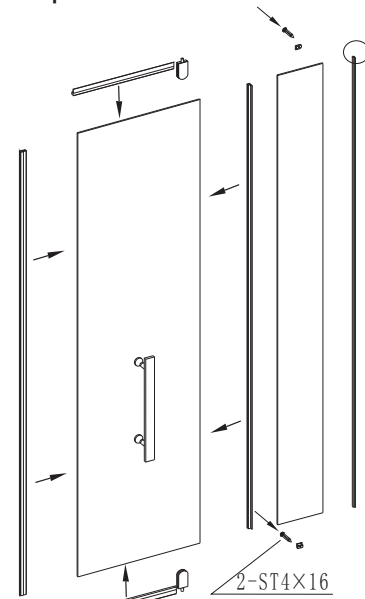
Step 7



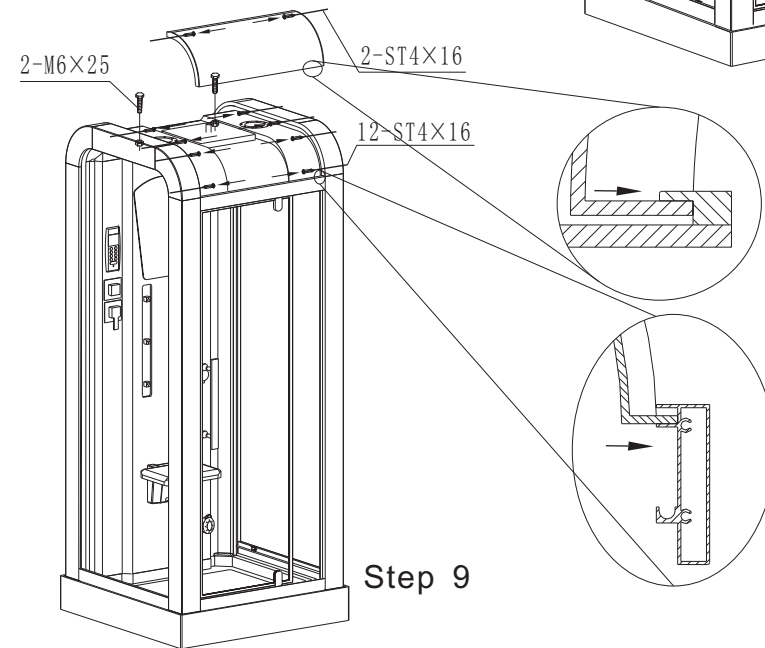
Step 8



Step 5



Step 6



Step 9