

WS-702

PRODUCT MANUAL

★All we do our best for the particular and definitude of the products information making , but only for reference , please depend on the practise and reality in detail .

★Our company keep down the authority of amending the aspects and the spare parts , according as the scheme's or parameter's redressal which was come out from technical renewal , sorry to will not offer any notice.

★our company reserve the final explanation and modify right for all the contents.

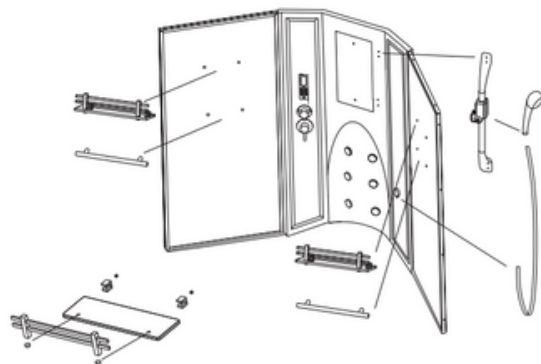
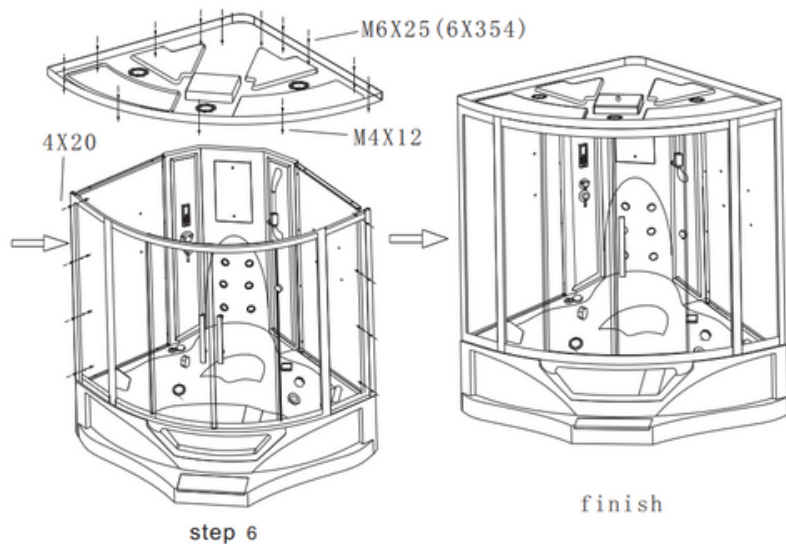
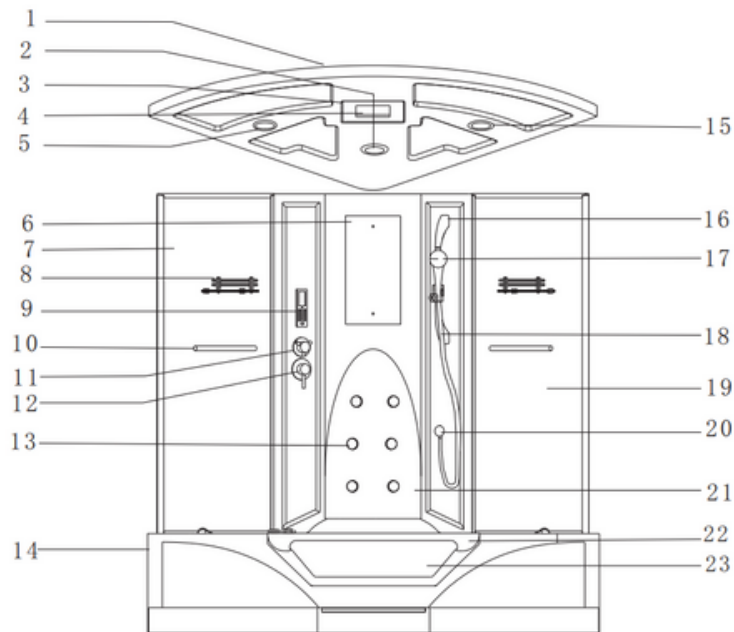


Do not dispose this product as unsorted municipal waste. Collection of such waste separately for special treatment is necessary.

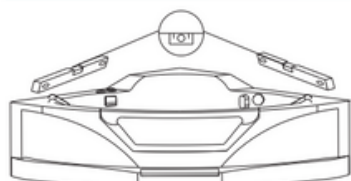
FOREWORD

Welcome to purchase our steam bathroom. For use function of the unit well and dose not any trouble in using this product. For perfect operation and security, please read the manual carefully and keep it for the future reference. No further notice will be submitted if any changes in products. The explain property rights owned by our company if there is no any particular or mistake about it.

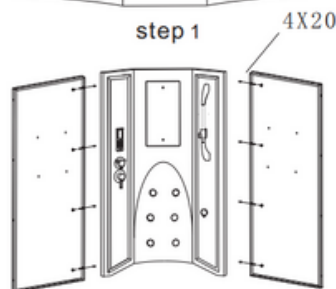
CONSTRUCTION SKETCH



INSTALLATION PROCESS



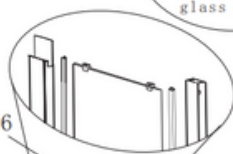
step 1



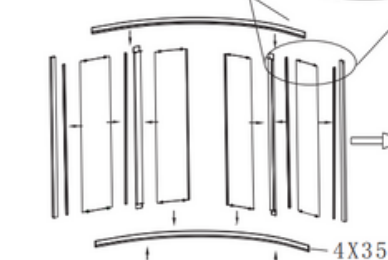
step 2



4X16



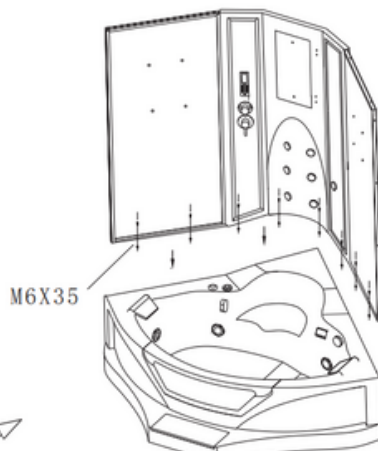
chain wheel of glass door



step 4

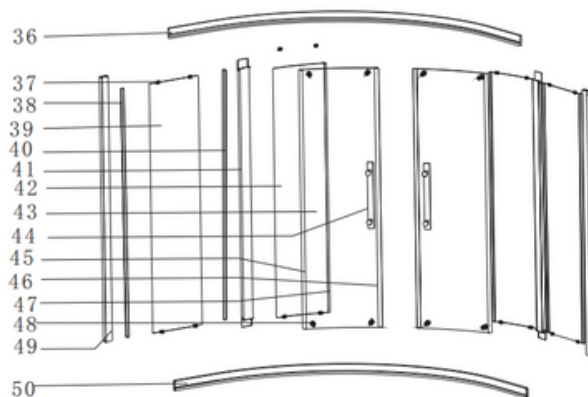
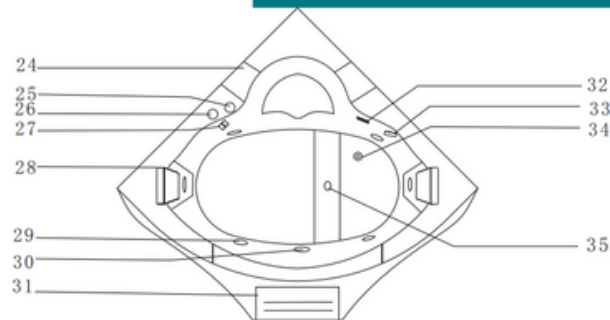


step 5

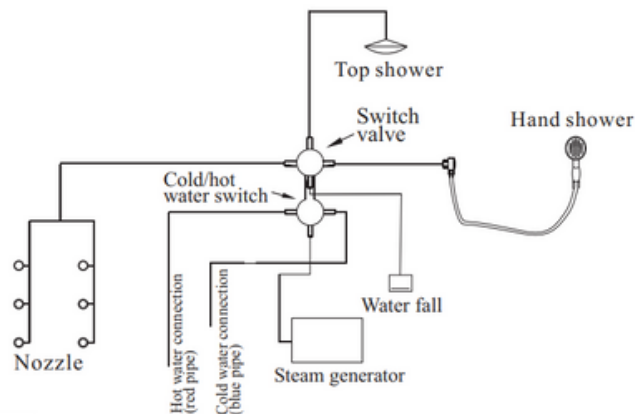
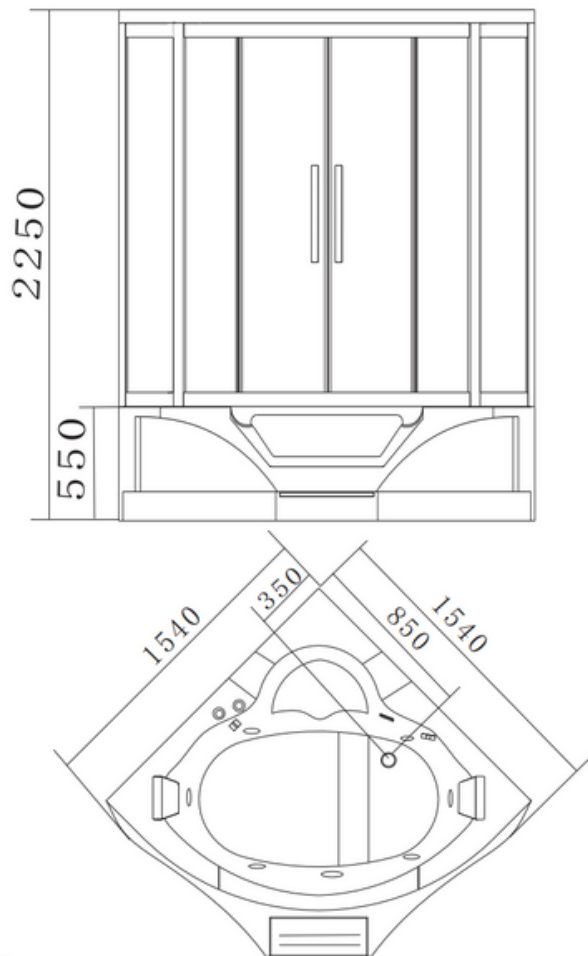


step 3

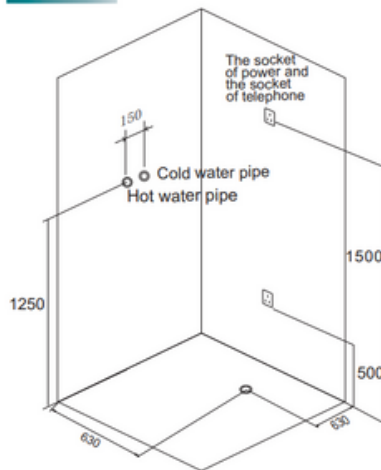
M6X35



- | | | |
|---------------------------|----------------------|---------------------|
| 1. Roof | 19. Top shower | 37. Glass clamp |
| 2. Speaker | 20. Right body glass | 38. Plastic strip A |
| 3. Top light | 21. Room body | 39. Door glass A |
| 4. Top shower | 22. Glass holder | 40. Plastic strip B |
| 5. Exhaust fan | 23. Decorative glass | 41. Doorframe A |
| 6. Mirror | 24. Bathtub | 42. Door glass B |
| 7. Left body glass | 25. Air adjuster | 43. Slip door |
| 8. Storage shelf | 26. Air switch | 44. Handle |
| 9. Control panel | 27. Steam outlet | 45. Plastic strip C |
| 10. Handrail | 28. Pillow | 46. magnetic strip |
| 11. Water switch | 29. Water jet A | 47. Plastic strip D |
| 12. Function shift switch | 30. Water intake | 48. Roller |
| 13. Water jet | 31. Marble | 49. Doorframe B |
| 14. Bathtub panel | 32. Waterfall | 50. Lower track |
| 15. Ozone | 33. Drainage switch | |
| 16. Elevating holder | 34. Drainage | |
| 17. Hand shower | 35. Water jet B | |
| 18. Shower chain | 36. Upper track | |



Notice



1. Install the steam bathroom in a proper way and have the electrician or professional personnel to install the unit, the company won't take the responsibility for any improper installation and usage.

2. The application of the product shall observe the operating instructions, dismantling and alteration without authorization is prohibited, the manufacturer shall not take the responsibility for any problems resulted from improper use or dismantling by one's self.