



Product name

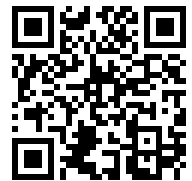
Universal 3-jaw puller with self-centering jaws

For removing bearings, gears, discs, etc.

Art. No. 45-2

Series 45

EAN 4021176016516



	Technical attribute	Metric	Imperial
	Spread	18 - 120 mm	3/4 - 4 3/4 inch
	Depth	120 mm	4 3/4 inch
	Hexagon drive (male)	17 mm	
max.	Maximum load	6 t	6.5 US t
	Maximum torque	120 Nm	88.5 ft lb
	Weight	1.124 kg	
	Space below	10 mm	3/8 inch
	Space next to it	30 mm	1 3/16 inch
	Number of jaws	3	3



Technologies



SWITCH

A two-sided spindle tip provides optimal adjustment of the spindle to the shaft.



AUTOGRIP

The jaws clamp and center automatically.

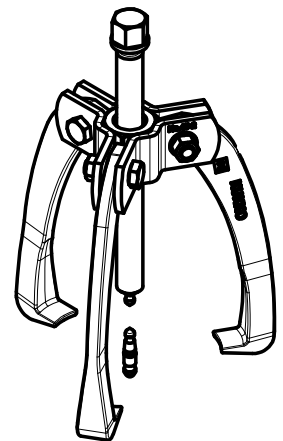
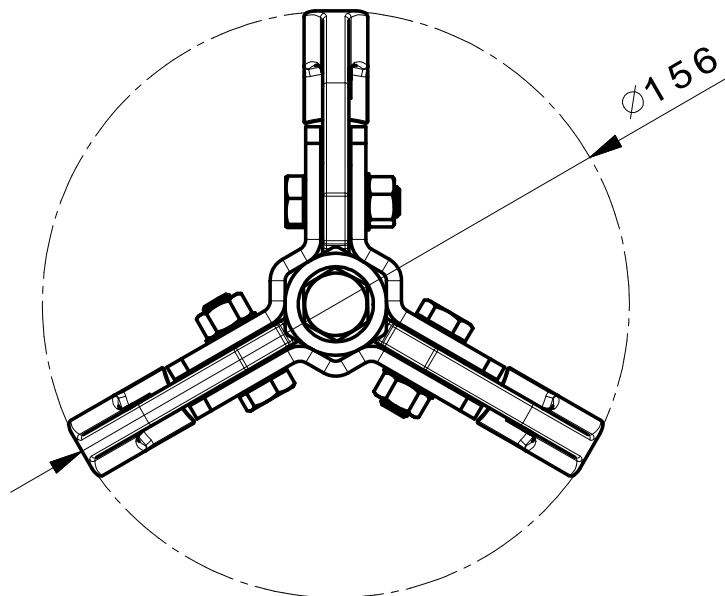
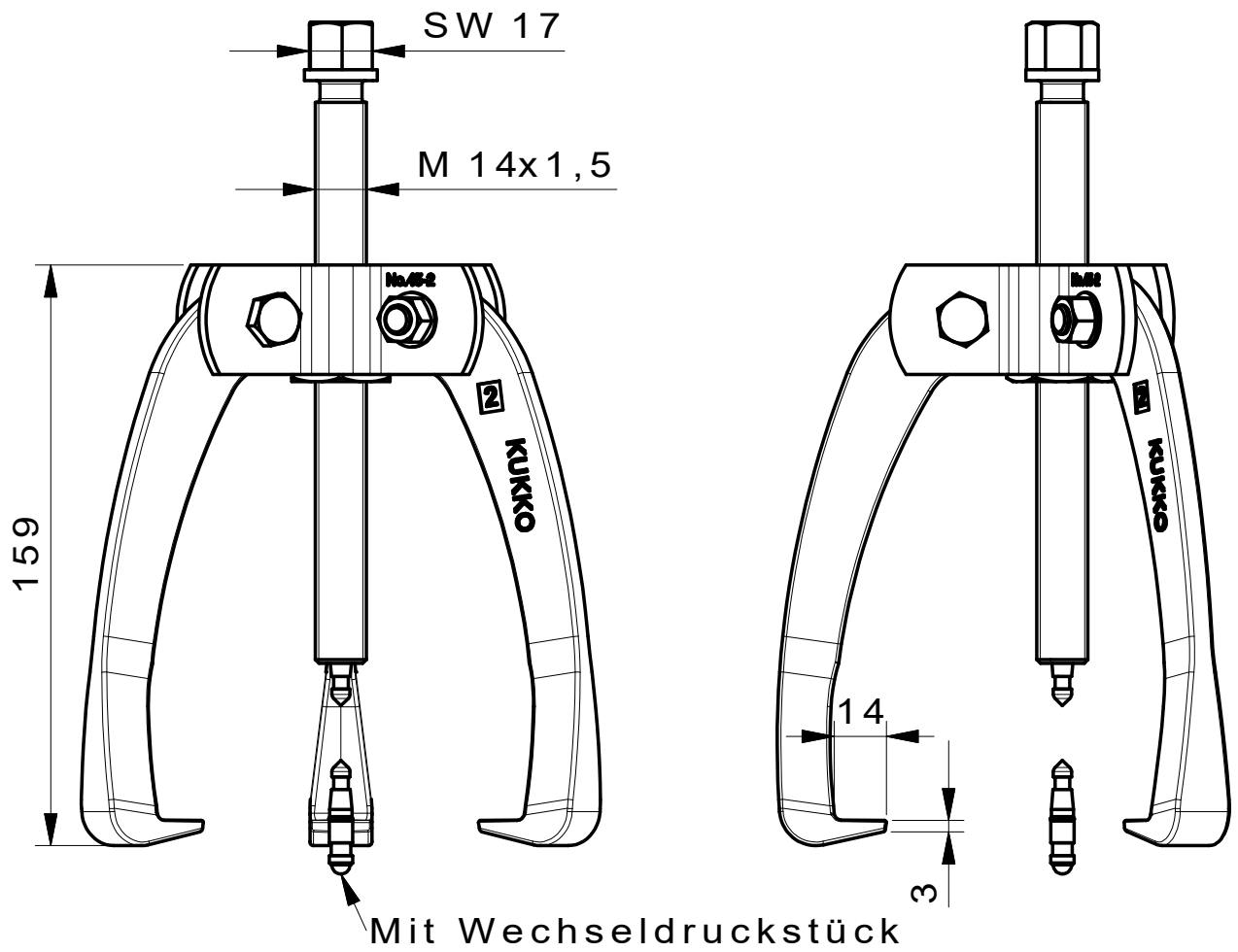


Spare part

Art. No.	Product name
44-2-206	Cross-beam internal bushing, with spindle
45-2-T	Cross-beam
45-2-120-S	3 pulling arms (set)

Accessories

Art. No.	Product name
K-600-014	Set of interchangeable pressure pads for KUKKO pressure screws



 <p>Kleinbongartz & Kaiser oHG Werkzeugfabrik Hilden - Germany</p>	Dokumentname: 45-2_3-armiger Universal Abzieher		Toleranz: DIN ISO 2768-m	
	Dokumentbeschreibung: Baugruppe		Material: Hoch legierter Werkzeugstahl / High alloy tool steel	
	Erstellt von: Breidenbach	Erstellungsdatum: 01/03/2016	Maßstab: 1:2	
Teilbeschreibung: 3-armiger Universal Abzieher/ Universal 2-jaw puller with self-centering jaws			Wärmebehandlung / Härte: vergüteter Stahl/ tempered steel	
			Oberflächenbehandlung:	
Artikelnummer / ZNR.: 45-2	Dokumentversion: -	Schutzvermerk ISO 16016 beachten		