



Product name

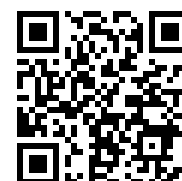
## Internal extractor

For extracting inner bearings, bearing outer rings and bushings.

Art. No. 21-3

Series 21

EAN 4021176011153



### Technical attribute

### Metric

### Imperial



Ball bearing ISO

6004; 6204; 6304;  
6404; 6804; 6904;  
16004; 61804;  
61904

6004; 6204; 6304;  
6404; 6804; 6904;  
16004; 61804;  
61904



Inner diameter of ball bearing

18 - 23 mm

3/4 - 7/8 inch



Effective depth

35 mm

1 3/8 inch



Length of internal extractor

89 mm

3 1/2 inch



Number of segments

2

2

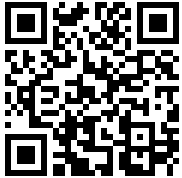


Weight

0.225 kg

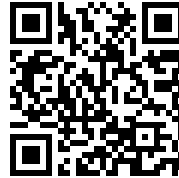


has to be accomplished with



**Slide hammer device**

22-0



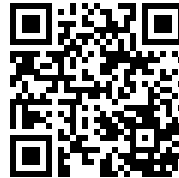
**Slide hammer device**

22-0-1



**Counterstay**

22-1



**Counterstay**

22-2



## Accessories

<b>Art. No.</b>	<b>Product name</b>
21-V-0	Set of extensions for internal extractors

## Goes with

<b>Art. No.</b>	<b>Product name</b>
22-1	Counterstay
22-2	Counterstay

## Part of

<b>Art. No.</b>	<b>Product name</b>
24-A	Set of bearing pulling and extracting tools
24-B	Set of bearing pulling and extracting tools
24-C	Set of bearing pulling and extracting tools
25-A	Set of bearing extracting tools
25-B	Set of bearing extracting tools
25-C	Set of bearing extracting tools
28-B	Set of slide hammer for extracting ball bearings and dowel-pins
28-C	Set of slide hammer and counterstays for extracting ball bearings and dowel-pins
28-D	Set of slide hammer and counterstays for extracting ball bearings and dowel-pins



## Part of

<b>Art. No.</b>	<b>Product name</b>
WT-017	Puller product range - interior pulling - BASIC
WT-018	Puller product range - interior pulling - TOP
EVLW-2-INDUSTRIE	Display
EVLW-2-KFZ	Merchandiser, automotiv pullers
EVLW-2-NFZ	Merchandiser, automotive pullers / commercial vehicle / agricultural machinery
WT-1-INDUSTRIE	Puller product range - industrial
EVLW-INDUSTRIE BASIC	Display

## Spare part of

<b>Art. No.</b>	<b>Product name</b>
24-A	Set of bearing pulling and extracting tools
24-B	Set of bearing pulling and extracting tools
24-C	Set of bearing pulling and extracting tools
25-A	Set of bearing extracting tools
25-B	Set of bearing extracting tools
25-C	Set of bearing extracting tools



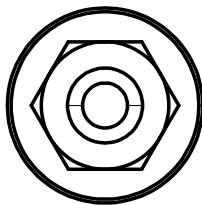
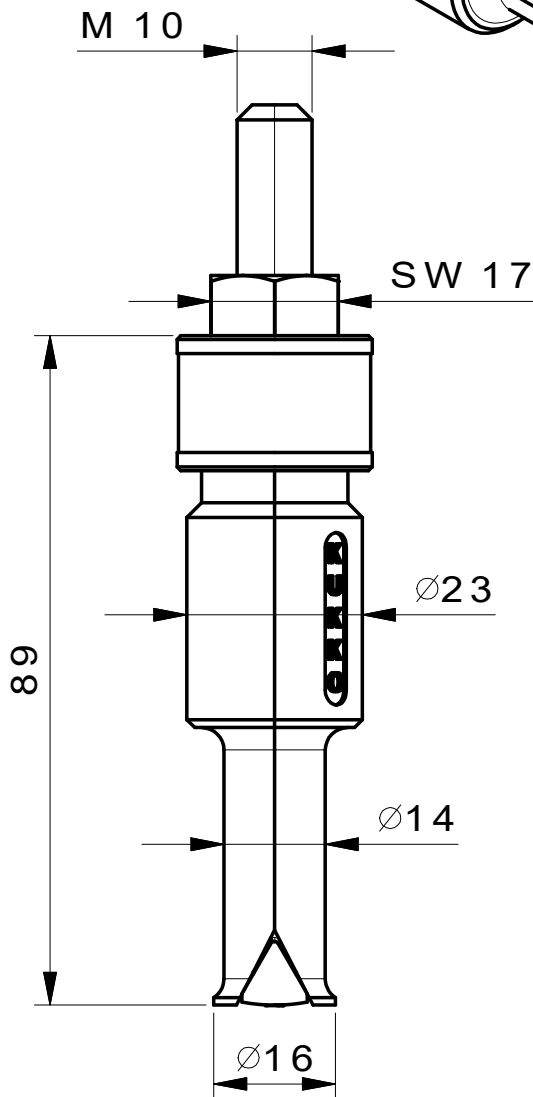
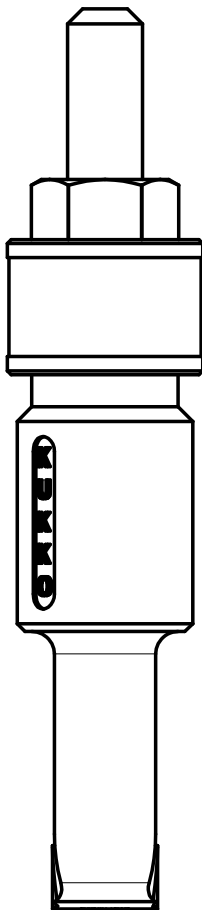
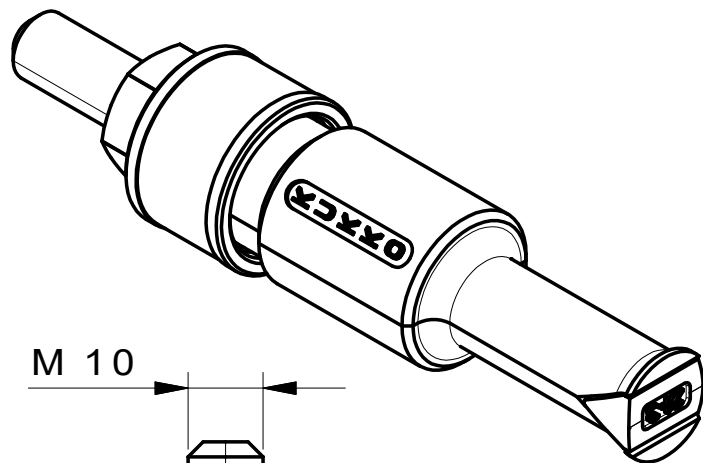
## Also included in

**Art. No.**

**Product name**

WT-018

Puller product range - interior pulling - TOP



**Kleinbongartz  
& Kaiser  
oHG**  
Werkzeugfabrik  
Hilden - Germany

Dokumentname:  
21-3 Innenauszieher

Toleranz:  
DIN ISO 2768-m

Dokumentbeschreibung:  
ZSB

Material:  
Hochfester extra zäher Vergütungsstahl/  
High tensile strength and toughness steel

Erstellt / Geprüft von:  
Schultes

Erstellungsdatum:  
05/06/2015

Maßstab:  
1:1

Teilbeschreibung:

Innenauszieher/ Internal extractor

Wärmebehandlung / Härte:  
vergüteter Stahl/ tempered steel

Oberflächenbehandlung:

Artikelnummer / ZNR.:  
21-3

Dokumentversion:  
-

Schutzvermerk  
ISO 16016  
beachten