



Product name

Universal 2-jaw puller with narrow, quick adjusting jaws

For removing bearings, gears, discs, etc. for tight or difficult-to-access spaces.

Art. No. 20-1+S

Series 20+S

EAN 4021176756221



	Technical attribute	Metric	Imperial
	Spread	30 - 90 mm	1 3/16 - 3 1/2 inch
	Depth	100 mm	3 7/8 inch
	Spread used internal	70 - 140 mm	2 3/4 - 5 1/2 inch
	Hexagon drive (male)	17 mm	
	Maximum load	2,5 t	2.5 US t
	Maximum torque	35 Nm	25.5 ft lb
	Weight	1.27 kg	
	Space below	2,6 mm	1/8 inch
	Space next to it	14 mm	5/8 inch
	Number of jaws	2	2

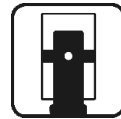


Technologies



GLIDE & FIX

The improved geometry guarantees quick and easy movement of the jaws on the cross-beam.



ARMLOCK

The cross-legged jaws guarantee maximum stability for suspending the jaws in the slider.



QUICK ADJUST

The knurls allow the jaws to be quickly released and moved on the cross-beam without the need for tools.



SWITCH

A two-sided spindle tip provides optimal adjustment of the spindle to the shaft.



Spare part

Art. No.	Product name
614160	Mechanical pressure spindle.
1-93-P	2 narrow, quick adjusting jaws (pair)
20-1-T	2-jaw cross bar

Accessories

Art. No.	Product name
219-1	Clamp for 2-jaw pullers
1-193-P	2 narrow, quick adjusting jaws (pair)
1-253-P	2 narrow, quick adjusting jaws (pair)
K-600-014	Set of interchangeable pressure pads for KUKKO pressure screws

Part of

Art. No.	Product name
KS-2030-1-193+S	Set of two- and three-arm pullers with narrow jaws
20-ST+S	Sales display for 2-jaw puller with narrow jaws



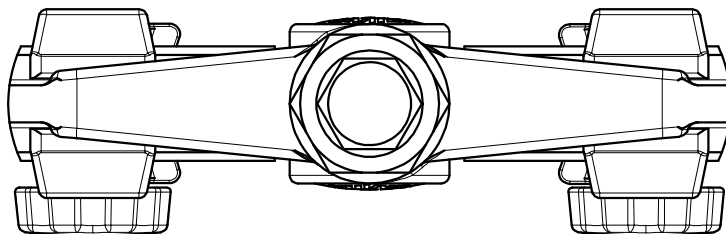
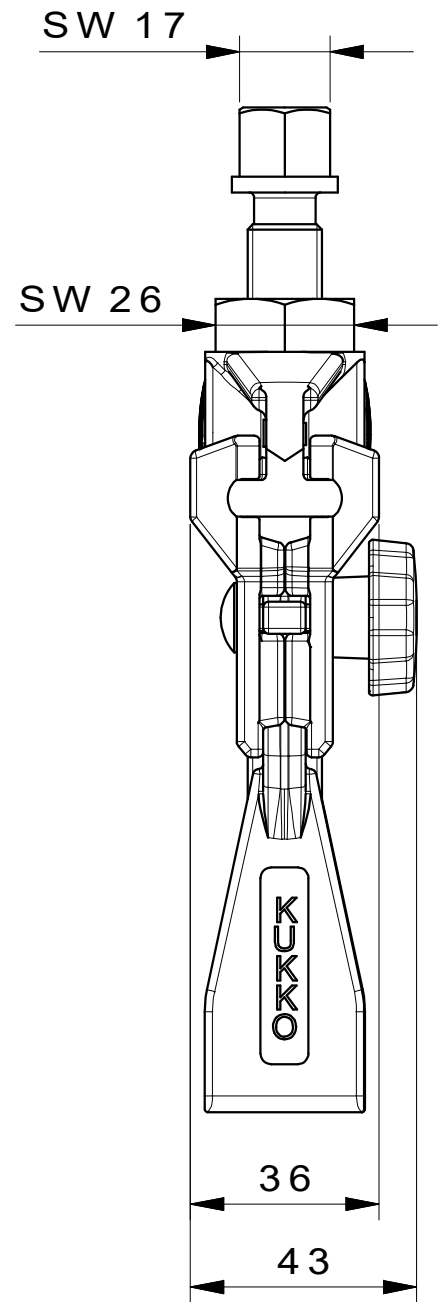
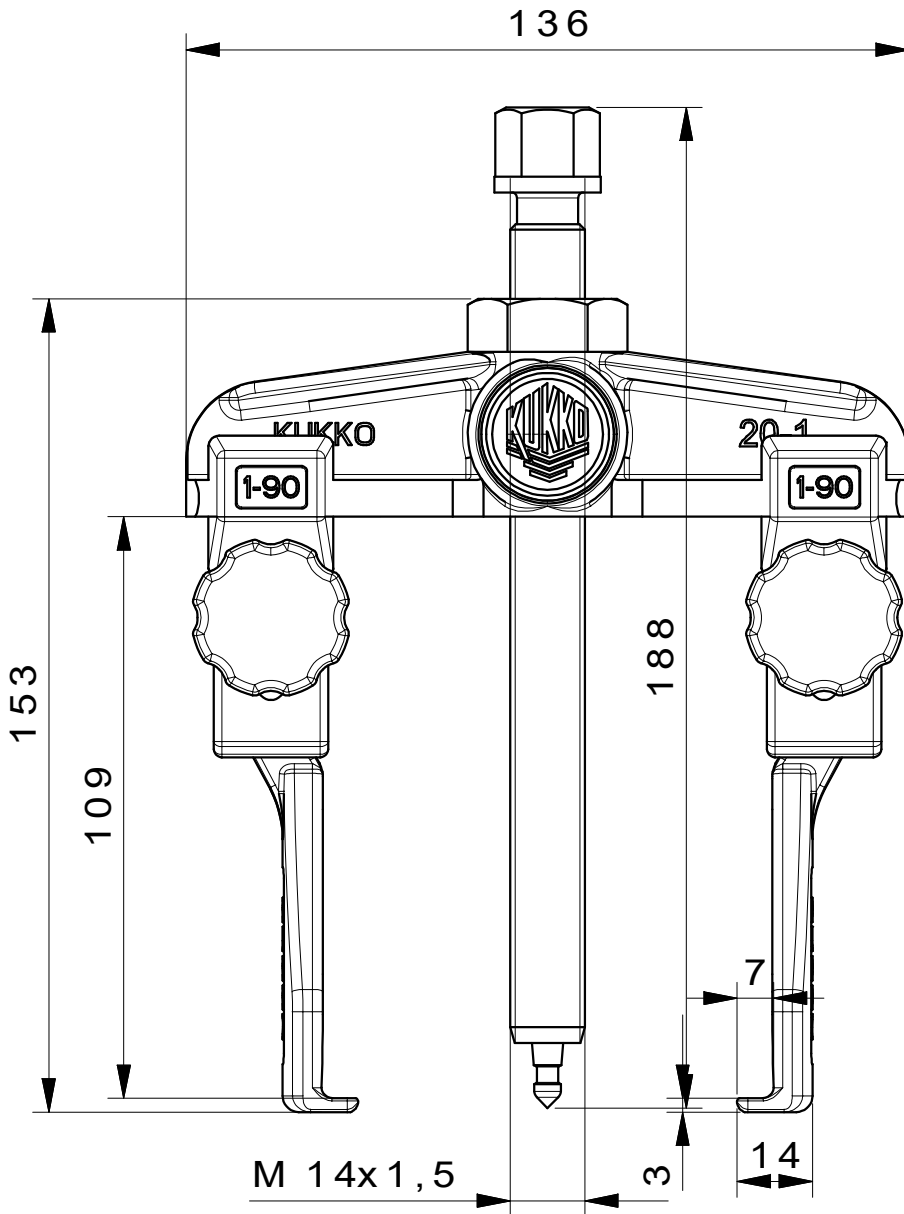
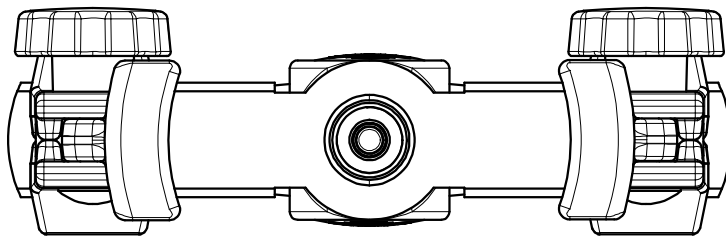
Spare part of

Art. No.

Product name

20-ST+S

Sales display for 2-jaw puller with narrow jaws



 Kleinbongartz & Kaiser oHG Werkzeugfabrik Hilden - Germany	Dokumentname: 20-1+S_2-Arm-Universal_Abzieher	Toleranz: DIN ISO 2768-m
	Dokumentbeschreibung: Baugruppe	Material: Hoch legierter Werkzeugstahl / High alloy tool steel
Erstellt / Geprüft von: Breidenbach	Erstellungsdatum: 29/08/2017	Maßstab: 1:1
Teilbeschreibung: 2-Arm-Universal_Abzieher mit schmalen Abzugshaken/ Universal 2-jaw puller with narrow jaws		Wärmebehandlung / Härte: vergüteter Stahl/ tempered steel
Oberflächenbehandlung:		Schutzvermerk ISO 16016 beachten
Artikelnummer / ZNR.: 20-1+S	Dokumentversion: -	