



Product name

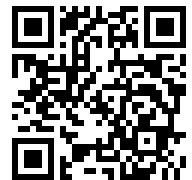
## Separators

For removing ball bearings, roller bearings, inner races and other tight parts if there is not enough space to use pulling hooks.

Art. No. 15-3

Series 15

EAN 4021176007293



	Technical attribute	Metric	Imperial
	Diameter of the shaft	25 - 155 mm	1 - 6 1/8 inch
	Distance of side screw	155 mm	6 1/8 inch
	Weight	5.3 kg	
	Space below	0 mm	0 inch
	Space next to it	155 mm	6 1/8 inch
	Spread	25 - 155 mm	1 - 6 1/8 inch
	Depth	300 mm	11 7/8 inch

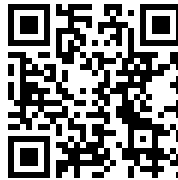


has to be accomplished with



**Pulling device**

18-3



**Hydraulic pulling  
device(including  
mechanical pressure screw)**

18-3-B



## Spare part

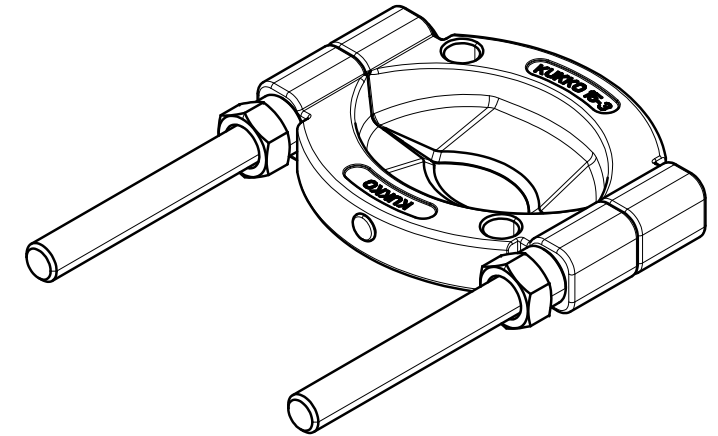
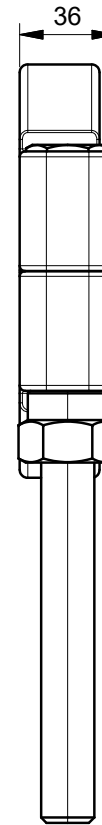
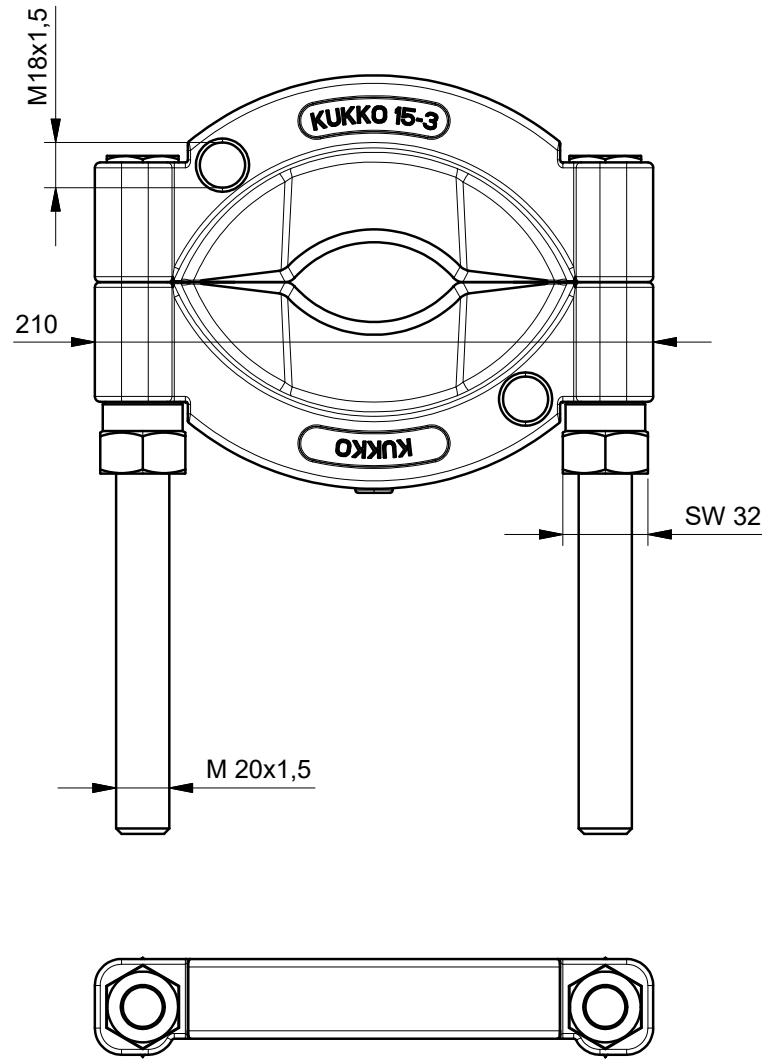
<b>Art. No.</b>	<b>Product name</b>
015270	Side bolt with nut

## Part of

<b>Art. No.</b>	<b>Product name</b>
WT-030	Puller product range - automotive - axle
15-C	Separating-set

## Spare part of

<b>Art. No.</b>	<b>Product name</b>
15-C	Separating-set



 <b>Kleinbongartz &amp; Kaiser oHG</b> Werkzeugfabrik Hilden - Germany	Dokumentname: <b>15-3 Trennvorrichtung</b>		Toleranz: <b>DIN ISO 2768-m</b>	
	Dokumentbeschreibung: <b>Baugruppe</b>		Material: <b>Hoch legierter Werkzeugstahl / High alloy tool steel</b>	
	Erstellt von: <b>Breidenbach</b>	Erstellungsdatum: <b>11/10/2017</b>	Maßstab: <b>1:2</b>	
Teilbeschreibung: <b>Trennvorrichtung /Separators</b>			Wärmebehandlung / Härte: <b>vergüteter Stahl/ tempered steel</b>	
			Oberflächenbehandlung:	
Artikelnummer / ZNR.: <b>15-3</b>		Dokumentversion: <b>-</b>	Schutzvermerk <b>ISO 16016 beachten</b>	