

Phone: (213) 425-3095 | Email: [cs@eisenhome.com](mailto:cs@eisenhome.com)

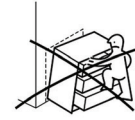
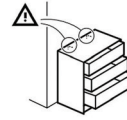
### PLEASE NOTE:

- LICENSED PROFESSIONAL INSTALLATION RECOMMENDED
- PRIOR TO INSTALLATION PLEASE CHECK ITEMS RECEIVED & REPORT ANY MISSING ITEMS TO YOUR RETAILER IMMEDIATELY.
- PROTECT ALL SURFACES FROM SHARP OBJECTS, HIGH HEAT SOURCES, DIRECT PROLONGED SUNLIGHT & CHEMICAL HAZARDS.
- CABINET CAN TIP OVER IF NOT PROPERLY SECURED TO THE WALL POSSIBLY CAUSING INJURY OR DEATH.

#### DISCLAIMER:

Instructions, drawings, and diagrams contained in this manual present information available at the time of printing. Although every attempt has been made to keep them up to date, Eisen Home reserves the right to implement product changes without prior notice.

#### DANGER: POSSIBILITY OF TIP OVER



#### REQUIRED TOOLS - NOT IN BOX



TAPE MEASURE



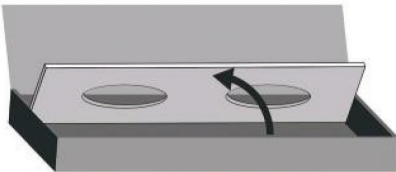
PHILLIPS SCREWDRIVER



SILICONE SEALANT

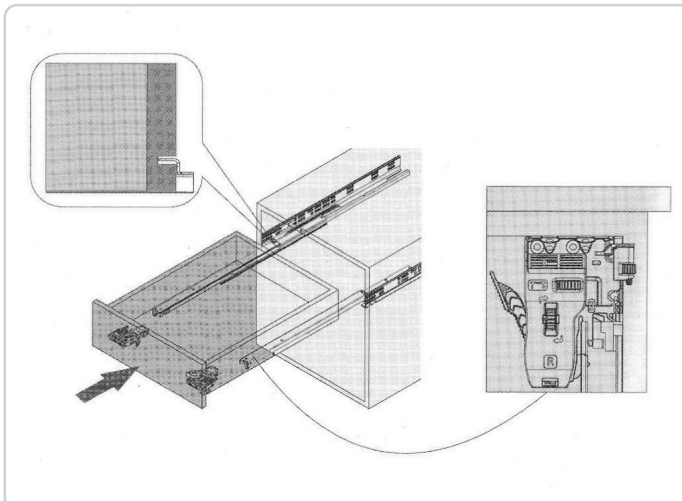
### HOW TO HANDLE YOUR COUNTER TOP

- 1 Lift the counter (using two people for counters 50" or larger) from the front side, leaving the back side on the bottom of the box. Bring to a vertical position.

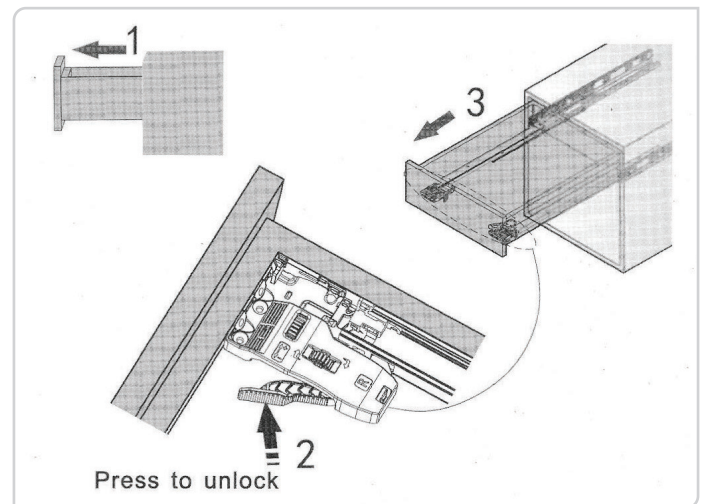


- 2 Remove counter from the box while maintaining it's vertical position. It is acceptable to use the sink openings as grasp locations, but highly preferable to also support it from the bottom. The vertical position must be maintained during the entire moving process.

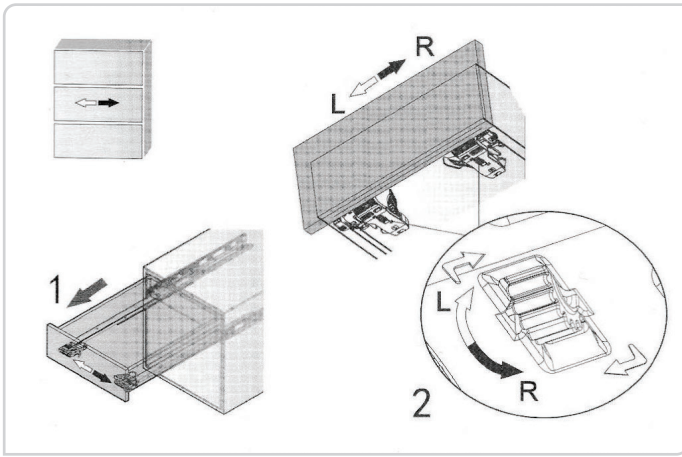
### HOW TO REMOVE / ADJUST DRAWER



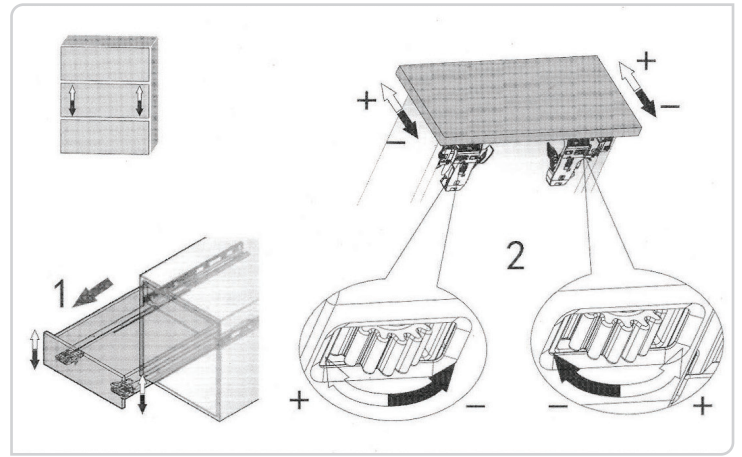
DRAWER INSTALLATION



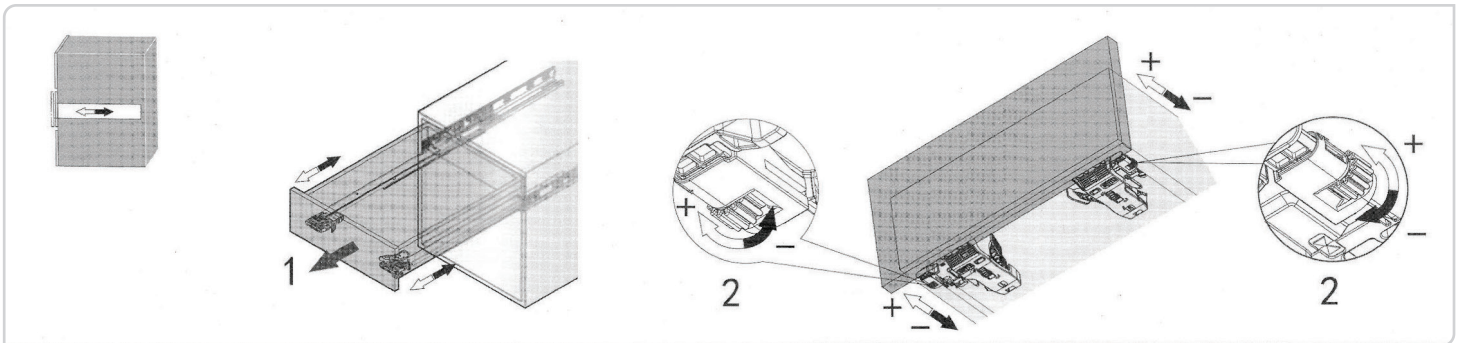
REMOVAL OF THE DRAWER



SIDE ADJUSTMENT



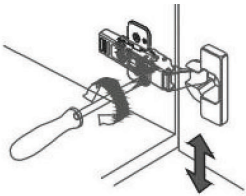
HEIGHT ADJUSTMENT



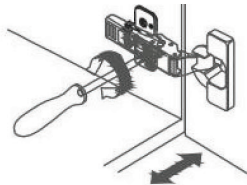
DEPTH ADJUSTMENT

**HOW TO ADJUST HINGES**

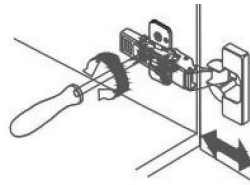
ADJUST HEIGHT



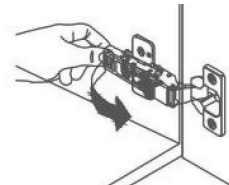
ADJUST Laterally



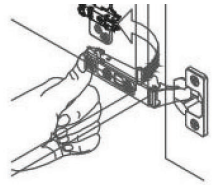
ADJUST DEPTH



REMOVE



INSTALL



**HOW TO INSTALL A WALL MOUNTED CABINET**

- 1** THE RECOMMENDED HEIGHT OF A WALL MOUNTED VANITY IS 32" TO 34" INCHES ABOVE THE GROUND. MEASURE A COMFORTABLE HEIGHT ACCORDING TO YOUR NEED AND MARK IT ON THE WALL.
- 2** LOCATE THE STUDS ON THE WALL. STUDS ARE GENERALLY SPACED 12"- 16" APART ON THE WALL.
- 3** MEASURE THE SCREW HOLES BEHIND THE VANITY CABINET.
- 4** AS PER YOUR CHOSEN HEIGHT, DRILL FOUR HOLES INSIDE THE STUDS ON THE WALL.
- 5** PLACE THE CABINET AGAINST THE WALL, INSERT SCREWS AND TIGHTEN THEM TO SECURE THE CABINET. IT IS RECOMMENDED THAT BEFORE POSITIONING YOUR CABINET WITH THE WALL, PLACE A SUPPORT BENEATH THE CABINET SO THAT IT BECOMES EASIER TO HANDLE THE WEIGHT.
- 6** AFTER INSTALLATION, CONFIRM THAT THE CABINET IS FIRMLY FITTED SO THAT IT DOES NOT ROCK OR MOVE. REMOVE THE SUPPORT PLACED BENEATH UNDER INSTALLATION.

**PLEASE NOTE:**

Select hardware that is best suited for your wall type. Important: Use "pan head" or "round head" screws with seat washers. Seat screws tightly against back rail or panel without driving into back rail or panel material.

## PLEASE NOTE:

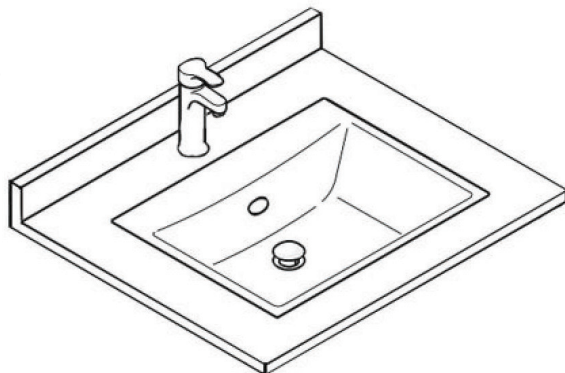
Plumbing parts are not included. We recommend consulting with a license plumber prior to installation. All plumbing parts (not including the vanity & items in the packing list) shown in the diagrams can be purchased at any hardware store. Your items may appear slightly different from illustrations.

In most cases your sinks are going to be pre-attached to the counter top, however, many models come with separate sink/s to be attached to counter top. If so, please read the following instructions as indicated below:

## COUNTER TOP & SINK INSTALLATION

Counter tops should be handled with extreme caution & should always be lifted vertically and be maintained in a vertical position while lifting, never lift or carry your countertop in a flat position refer to How to handle your countertop - page 1,. Determine what type of sink(s) you have & proceed to the installation process.

### 1 Under-mount sinks / Integrated Sinks



### 1 UNDER-MOUNT SINK/ COUNTER INSTALLATION

Please note: If your counter top arrived with pre-assembled sink please skip to Step 7.

1. Safely remove the packaging from your counter top and place it on a flat surface facing down. If your counter top is made of marble/natural stone, make sure to place it on an evenly flat surface to avoid any movements.

2. Remove the sink from its packaging box. Identify the front and bottom portion of the sink(s).

3. Using the Silicone Sealant, apply a liberal amount around the perimeter of the pre-cut sink hole.

4. Place the sinks upside down on the area where the sealant was utilized. Apply moderate pressure to secure sink in place. DO NOT apply excessive weight.

5. Using a cloth, remove any excess sealant around the area.

6. We recommend waiting 24-hours to allow the sealant to fully cure.

7. Lift the counter top in a vertical position & carefully place on top of the vanity cabinet. It is best to align your counter top with your cabinet base from back to front. We recommend acquiring help to lift & place counter top to avoid any potential breakage that may occur during installation. Damages incurred during the installation process are not covered under warranty.

Fig. 1

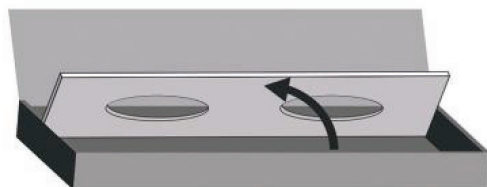


Fig. 3

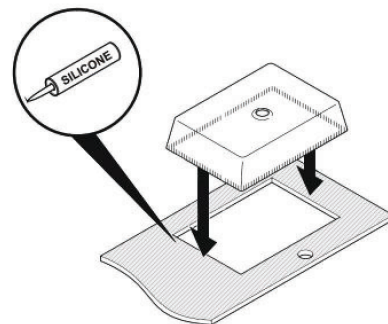


Fig. 7

