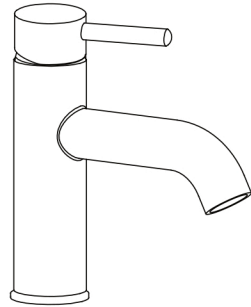




Phone: (213) 425-3035  
 Email: cs@eisenhome.com  
 www.eisenhome.com

# INSTALLATION GUIDE

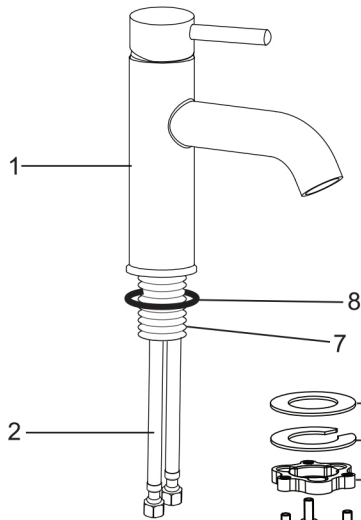
## SINGLE HOLE BATHROOM SINK FAUCET



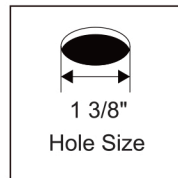
Solid Brass Construction  
 Ceramic Cartridge  
 Easy Installation



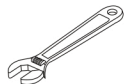
### DIAGRAM & PARTS LIST



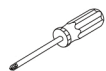
1. Faucet body
2. Hot & cold hoses
3. Rubber washer
4. Metal washer
5. Lock nut
6. Screw
7. Pipe
8. O-ring



### RECOMMENDED TOOLS



Adjustable wrench



Philips screwdriver



Plumber's tape

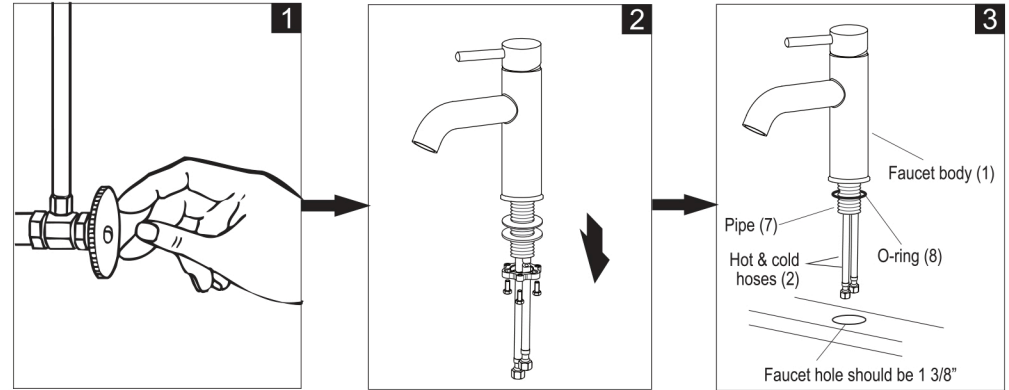


Flashlight



Hex key

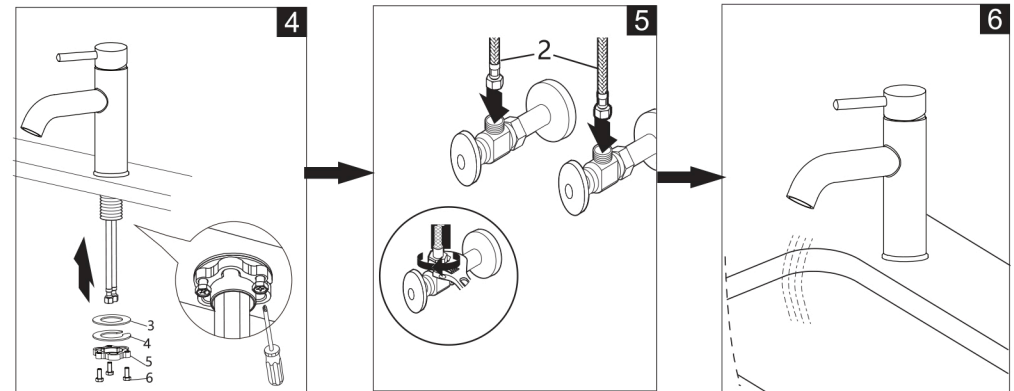
### ASSEMBLY INSTRUCTIONS



1. Shut off hot and cold water supply underneath the sink. Remove the old faucet.

2. Unscrew the pre-assembled washers (3,4), lock nut (5) and screw (6).

3. Thread the bottom of the faucet through the O-ring (8) and place the faucet in the installation hole.



4. Underneath the sink, thread the rubber washer (2) and metal washer (3) onto the pipe and screw with the lock nut (5) and screw (6).

5. Connect the supply hoses to the valves and tighten. Check for any leaks.

6. Turn on the hot and cold water supply. Check for leaks. Turn on the faucet by lifting the handle for one minute to flush debris from the faucet.