



Installation Guide

PLEASE NOTE:

Before you begin, read the instructions below. Observe all local plumbing and building codes.

Unpack and inspect faucet for any shipping damages and ensure that none of the required pieces are missing. If you find any damages, do not install. Contact Customer Service at 213-425-3095.

We recommend consulting a professional if you are unfamiliar with installing bathroom fixtures and plumbing. Eisen Home accepts no liability for any damages to the floor, walls, plumbing or personal injury during installation.

Care should be exercised when cleaning this product. Although its finish is extremely durable, it can be damaged by harsh abrasives and cleaning pads. Use a light, non-abrasive cleaning solution or cleaning polish to clean the faucet surface.

If any questions or concerns arise, please feel free to reach out to us



cs@eisenhome.com



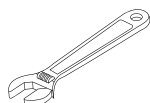
eisenhome.com



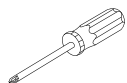
(213) 425 3095

We recommend consulting a professional if you are unfamiliar with installing bathroom fixtures and plumbing. Eisen Home accepts no liability for any damages to the floor, walls, plumbing or personal injury during installation.

RECOMMENDED TOOLS



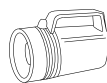
Adjustable wrench



Philips screwdriver



Pipa tape

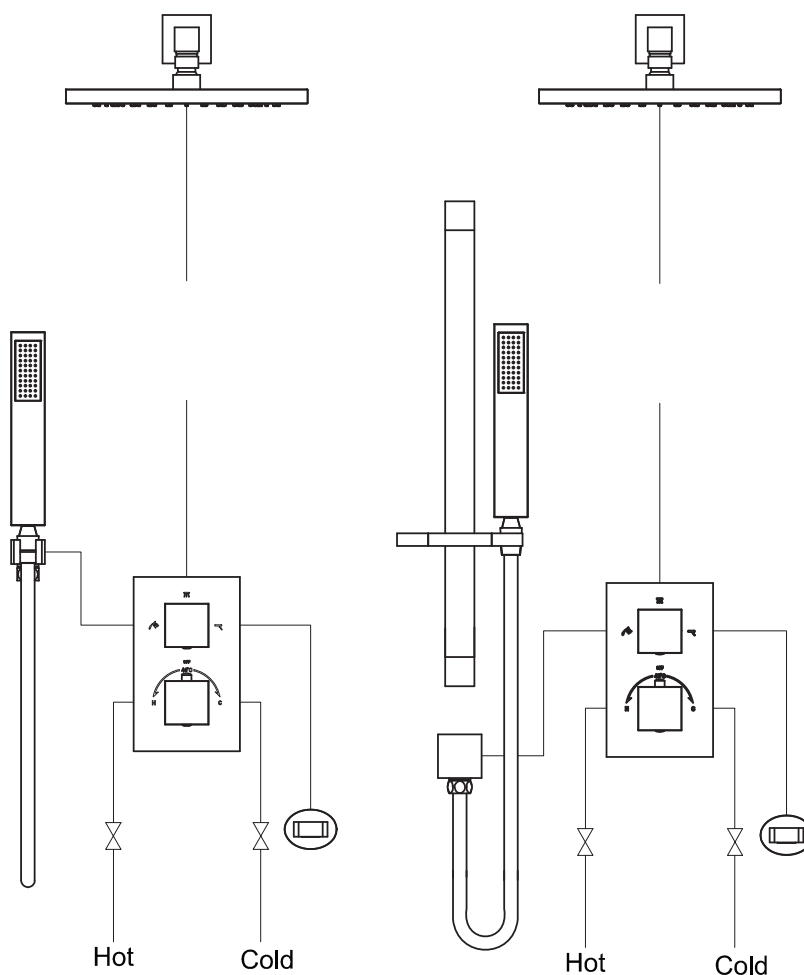


Flashlight



Hex key

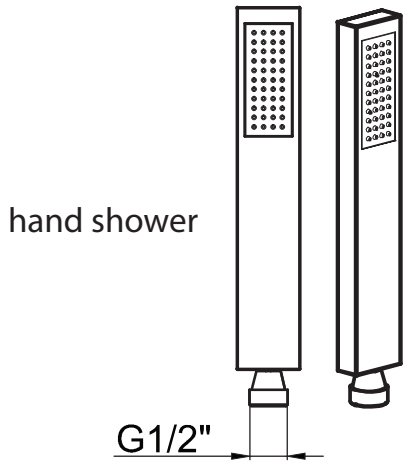
INSTALLATION DIAGRAM



PLEASE NOTE:

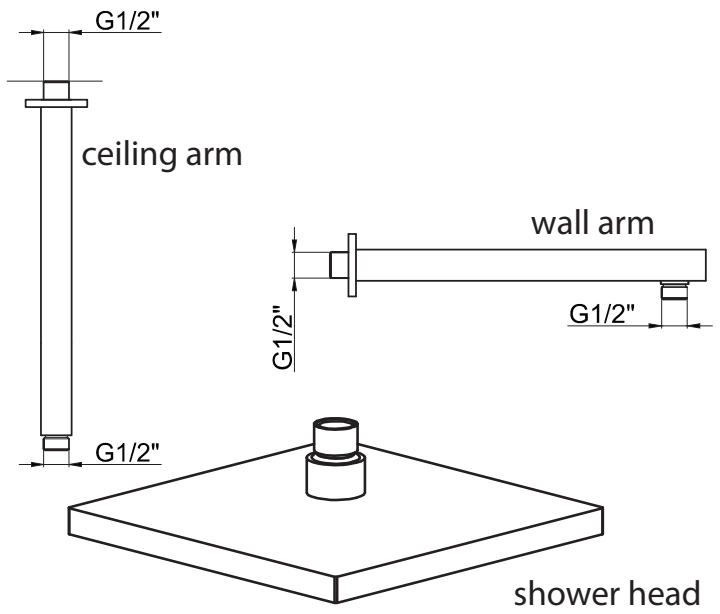
All the instructions are compiled based on the latest product, and we reserve the right to change any product characteristics, packaging or types without prior notice.

PRODUCT DIAGRAMS AND PARTS



hand shower

$G1/2"$



ceiling arm

wall arm

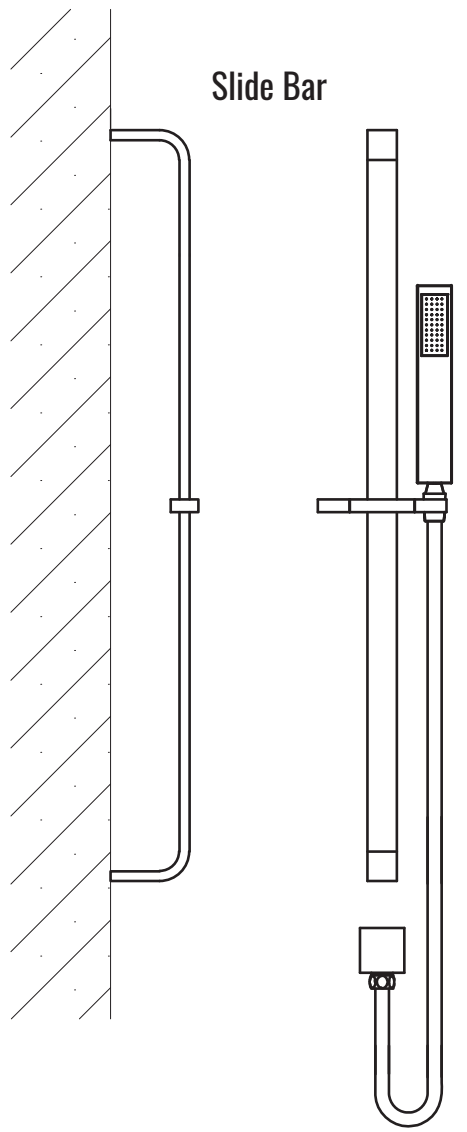
shower head

$G1/2"$

$G1/2"$

$G1/2"$

$G1/2"$

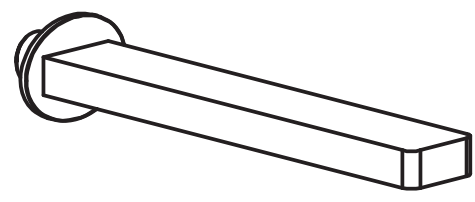
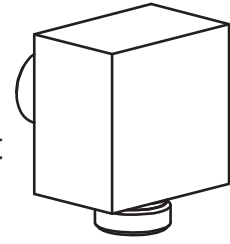
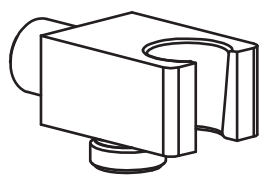


Slide Bar

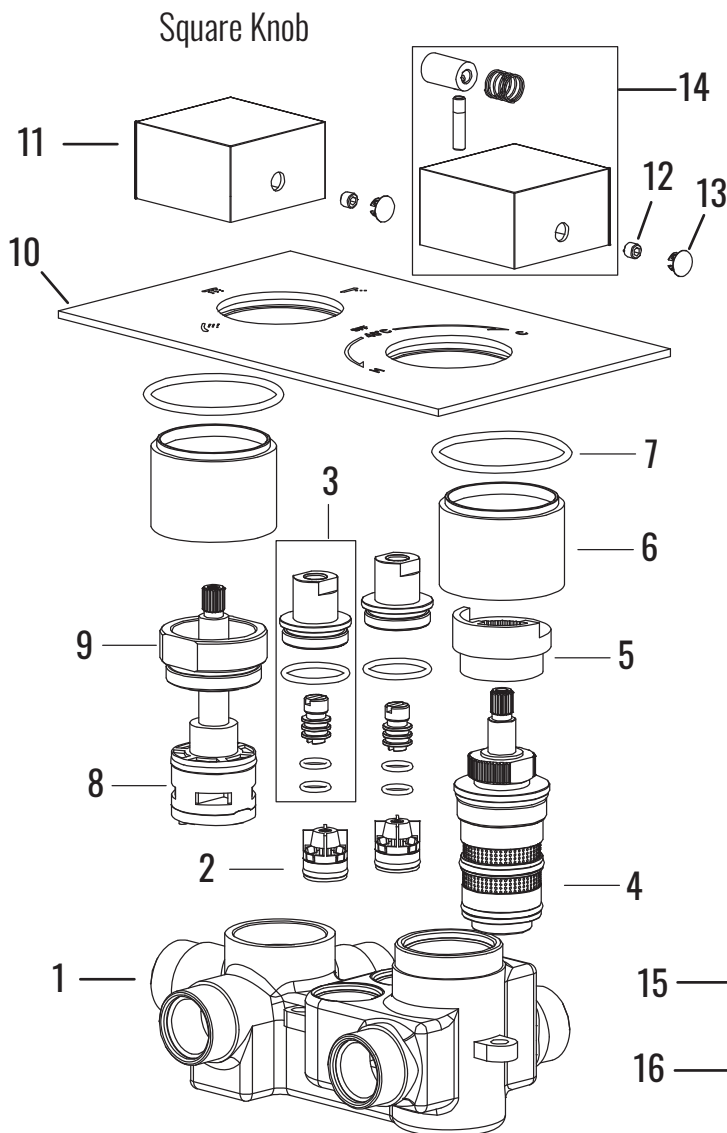
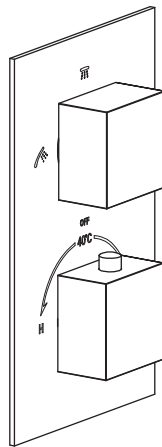
Shower Holder

Handshower Joint

Square Spout



PRODUCT DIAGRAMS AND PARTS



- 1 - 1x Shower Valve Body
- 2 - 2x Check Valve
- 3 - 2x Operation Component
- 4 - 1x Thermostatic Cartridge
- 5 - 1x Fixing Ring
- 6 - 2x Concealing Sleeve
- 7 - 2x O-Ring
- 8 - 1x Function Control Valve
- 9 - 1x Conector
- 10 - 1x Valve Trim
- 11 - 1x Function Control Knob
- 12 - 2x M5 Screw
- 13 - 2x Decorative Button
- 14 - 1x Temperature Control Knob
- 15 - 3x Tapping Screw
- 16 - 3x Plastic Screw Sleeve
- 17 - 1x Allen Key

SUPPLY CONDITIONS

1. The minimum water pressure supply: 0.05 Mpa (0.5 bar)
2. Recommended static pressure of hot and cold supply: 0.3 Mpa (3 bar)
3. In a situation where one or both of the water supplies are 0.5 Mpa (5 bar) excessive, it is recommended to fit a pressure reducing valve to reduce the pressure(s).
4. The minimum hot water supply temperature is 122°F and the maximum hot water supply temperature is 176°F. Recommended hot water supply temperature is 149°F.
5. The security setting mixed water outlet temperature is 104°F

INSTRUCTIONS

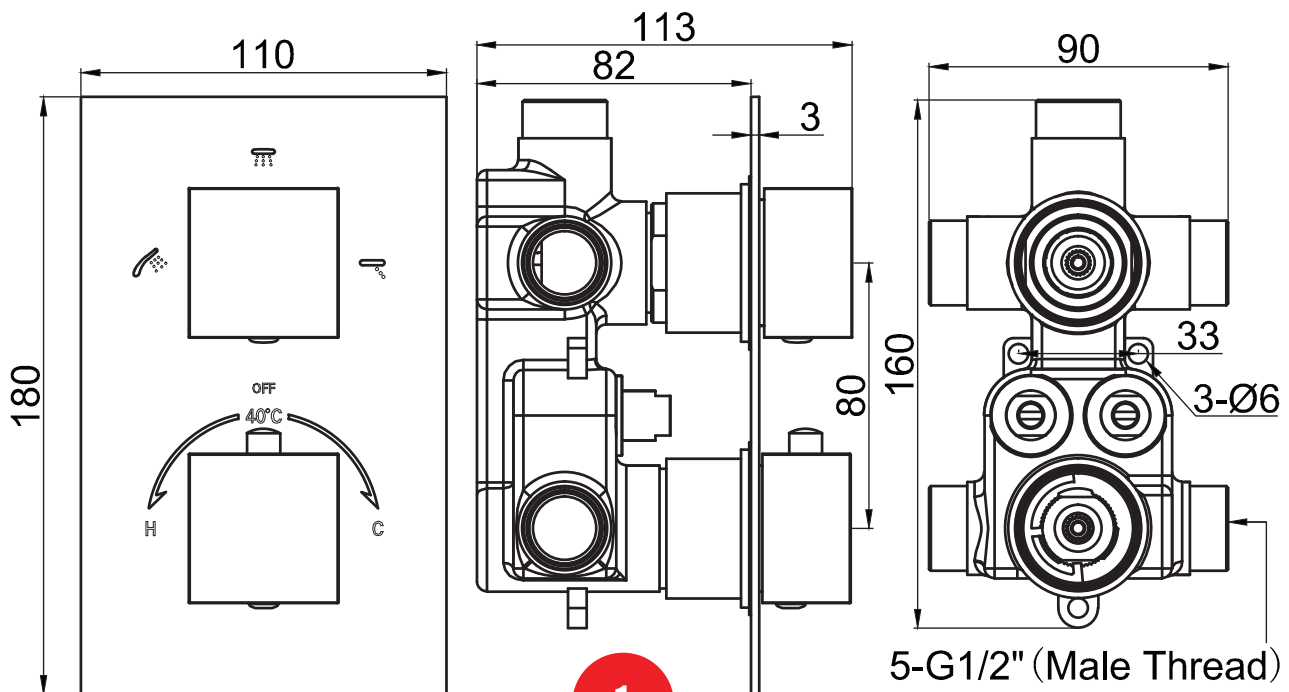
1. The Security setting for mixed water outlet temperature is 104°F. Rotate the temperature control knob anti clockwise to increase the temperature and clockwise to reduce. Re Align the temperature control knob to the push button after using to avoid scalding for next time.
2. Function control knob can be rotated 360° for switching to any water outlet.

STEP 1

Carefully review the dimensions of the concealed shower valve before the installation. (Refer to)

1

SHOWER BODY VALVE DIMENSIONS



STEP 2

Make sure all the pre embedded PPR pipes are a G1/2 thread connection to connect with the G1/2 female.

STEP 3

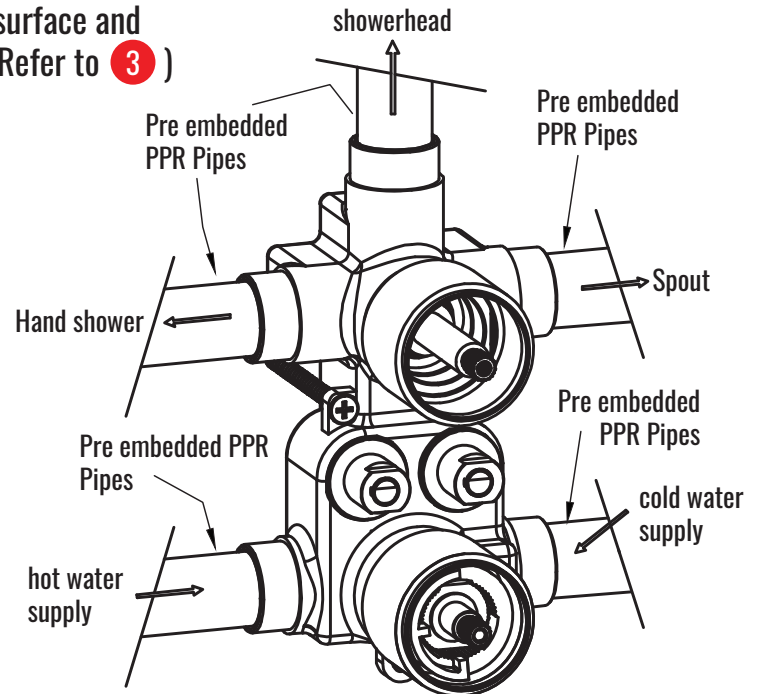
Estimate the depth into the wall in accordance to the dimension of the shower valve, and reserve the space for the thickness of the ceramic. Keep at least 3mm depth between valve surface and ceramic to avoid any failure in trim's installation. (Refer to **3**)

STEP 4

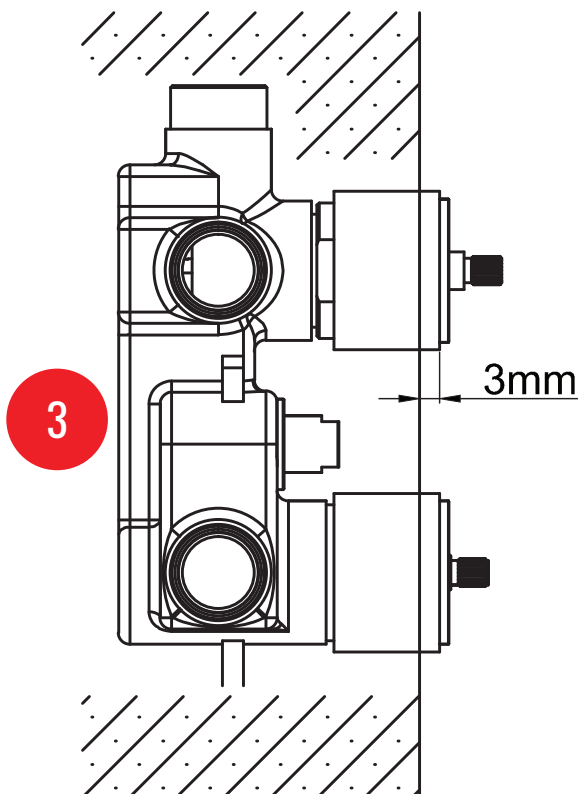
Revolve and insert the pre-embedded PPR Pipes with the wrapped sealing tapes into the shower valve connection. (Refer to **2**)

STEP 5

Drill 2 holes with 55 mm diameter, 80 mm apart on the ceramic. (Refer to **4**)



2



Hole Diameter Ø55

Hole Diameter Ø55

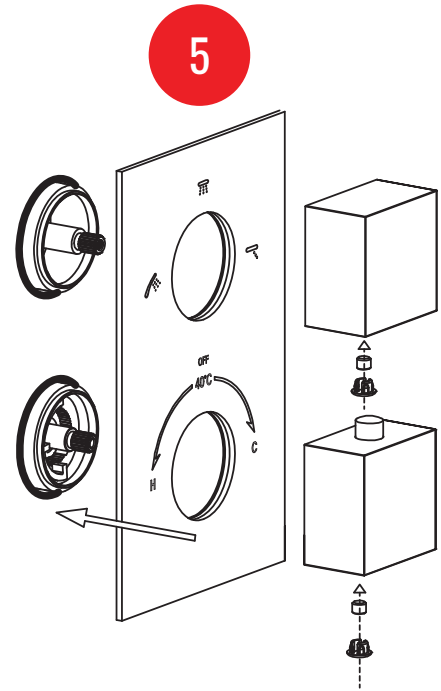
80

4

VALVE TRIM AND KNOBS INSTALLATION

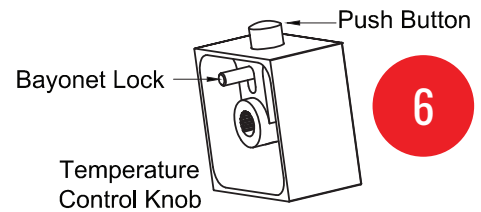
STEP 1

Before attaching the valve trim to the wall, carefully notice the symbol position of function and temperature on the trim. The temperature symbol is on the bottom section, it is recommended to apply glass glue around the valve trim for sealing and fixation to prevent water from seeping into the wall.



STEP 2

Temperature control knob is designed with a push button and bayonet lock comparing with the function control knob. (Refer to 6)

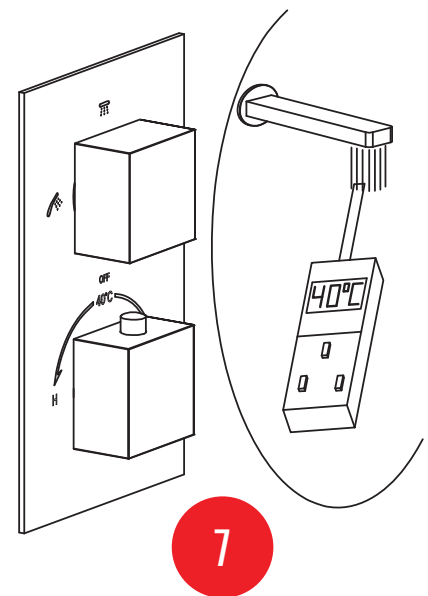


STEP 3

While fitting the temperature control knob, make sure the push button is in line with the 104°F symbol on the trim, place the bayonet lock on the right position, and secure with the screws and decorative button.

WATER OUTLET TEMPERATURE TESTING

Test the water outlet temperature with a thermometer. If the temperature is higher or lower than the security setting temperature 104°F when the push button is in line with the 104°F symbol (Hot and cold water might differ for practical test and manufacturing test), remove the temperature control knob and turn the thermostatic cartridge clockwise or anticlockwise for the right temperature. Test again the temperature with thermometer.



MAINTENANCE & CARE INSTRUCTIONS

Care should be exercised when cleaning this product. Although its finish is extremely durable, it can be damaged by harsh abrasives and cleaning pads. Use a light, non-abrasive cleaning solution or cleaning polish to clean the faucet surface.



Any Damp Micro Fiber Cloth



Soapy water



PH balanced soap based cleanser



Any Chemical free cleanser



Cleaner with wax or filling agents



Cleaners with unidentified chemicals



Anything that can scratch the surface



Caustic, acidic or abrasive agents with any solvent

This warranty extends only to the original owner/end-user for personal household use only. For commercial uses, additional limitations may apply. Eisen Home warrants mirrors, bathtubs, faucet finishes and fittings to be free from defects in workmanship and materials under normal use and service for a period of two (2) years. Eisen Home will, at its election, repair, replace, or make appropriate adjustment where Eisen Home optional inspection discloses any such defects occurring in normal usage within the warranty periods. Please note that Eisen Home is not responsible for installation or removal costs. Improper modification of any bathtub and/or faucet may void the warranty.

This warranty does not cover any claim arising from abuse, misuse, negligence, accident, improper installation or operations on the part of the purchaser. This warranty is void if the Eisen Home product is subject to alterations, or if repairs are attempted by anyone other than an authorized agent of Eisen Home. This warranty does not extend to any plumbing or components installed by dealers, installers or by any party other than Eisen Home. Implied warranties, including that of merchant ability or fitness for a particular purpose, are expressly limited in duration to the duration of this warranty. Eisen Home disclaims any liability for special, incidental or consequential damages.

PRODUCT LIMITATION OF LIABILITY

Eisen Home shall not, under any circumstances, be liable for special or consequent damages, such as, but not limited to,

1. Damage to or loss of other property or equipment,
2. Loss of profits, revenue or reputation,
3. Cost of replacement goods,
4. Cost of storage, handling and/or care of damaged, defective or nonconforming goods or
5. Claims of buyer's customer or service interruptions.

Eisen Home is not responsible for any additional parts or equipment required for the installation or use of any of its products or merchandise, such as plumbing supply requirements (elbow joints, valves, pipes etcetera). Eisen Home is not responsible for the installation of any of its products or merchandise.

The liability of Eisen Home arising out of or related in any way to the sale, delivery, resale, installation or use of the goods sold by or furnished by Eisen Home, whether arising out of contract, negligence, strict tort, or any warranty or otherwise, shall not exceed the price of the specific goods upon which liability is to be based. Buyer's remedies for any breach of this agreement by Eisen Home, or with respect to Eisen Home liability under this agreement shall be limited to either Eisen Home choice of any of the following:

1. The repair of the goods,
2. The replacement of the goods,
3. The return of the goods in question to Eisen Home and the return to the buyer of any consideration paid to Eisen Home for said goods.

Register your product at: www.eisenhome.com/warranty-terms



cs@eisenhome.com



eisenhome.com



(213) 425 3095