

## Installation Guide

---



### PLEASE NOTE:

Before you begin, read the instructions below. Observe all local plumbing and building codes. Unpack and inspect faucet for any shipping damages and ensure that none of the required pieces are missing. If you find any damages, do not install. Contact Customer Service at 213-425-3095.

We recommend consulting a professional if you are unfamiliar with installing bathroom fixtures and plumbing. Eisen Home accepts no liability for any damages to the floor, walls, plumbing or personal injury during installation.

Care should be exercised when cleaning this product. Although its finish is extremely durable, it can be damaged by harsh abrasives and cleaning pads. Use a light, non-abrasive cleaning solution or cleaning polish to clean the faucet surface.

If any questions or concerns arise, please feel free to reach out to us



[cs@eisenhome.com](mailto:cs@eisenhome.com)



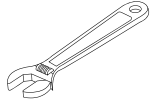
[eisenhome.com](http://eisenhome.com)



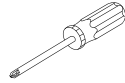
(213) 425 3095

We recommend consulting a professional if you are unfamiliar with installing bathroom fixtures and plumbing. Eisen Home accepts no liability for any damages to the floor, walls, plumbing or personal injury during installation.

**RECOMMENDED TOOLS**



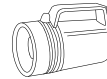
Adjustable wrench



Philips screwdriver



Pipa tape

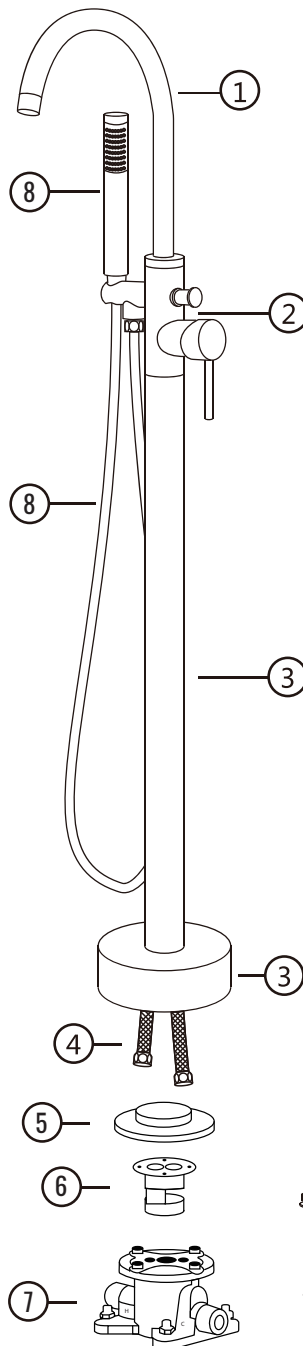


Flashlight



Hex key

**PARTS & DIAGRAM**



- 1. Tub Filler Spout
- 2. Body
- 3. Floor (Escutcheon)
- 4. Hot & Cold Hoses x 2
- 5. Floor Tube Connector
- 6. Rough-in Valve Connector
- 7. Rough-in Valve
- 8. Hand Shower and Hose
- 9. Expansion Screws

## FAUCET INSTALLATION

### STEP 1

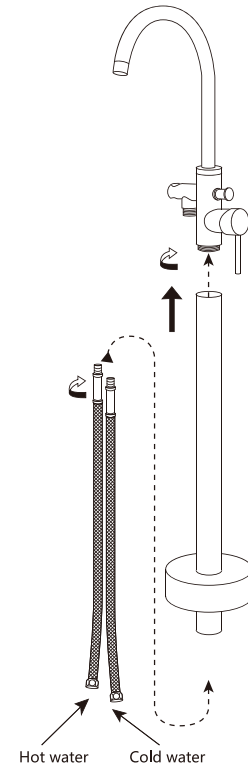
Feed both brass water inlet pipes into the faucet body.

### STEP 2

Thread the floor tube to connect with the faucet body.

### STEP 3

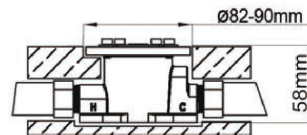
Connect the hand shower hose to both the hand shower and faucet body. Turn on water to test connections.



## ROUGH IN INSTALLATION

### STEP 1

Confirm the proper position for the Rough-in Valve and reserve the hole at 82-90 mm.

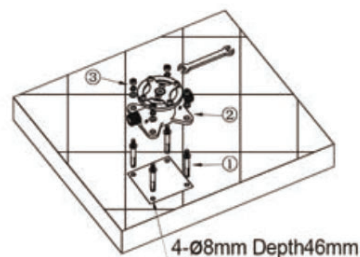


### STEP 2

2a. Drill 4 holes with 8mm drill bit at depth 46 mm for fixing expansion screws.

2b. Fix 4 Expansion screws into the holes.

2c. Put the Rough-in Valve through expansion screws and ensuring it is level.  
(Refer to levelling bubble on top plate)

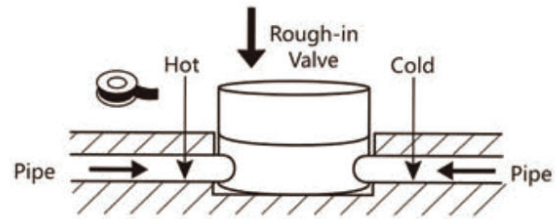


2d. Tighten the screws.

### STEP 3

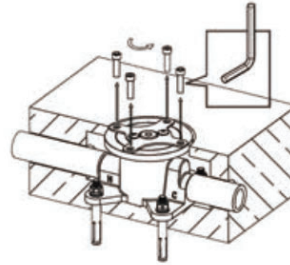
Connect the water supplies to the Rough-in valve.

Wrap the threads on both the end of the pipes with tapes.



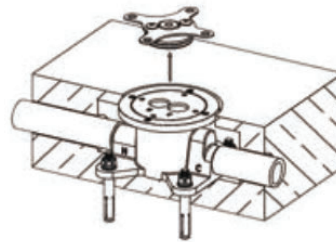
### STEP 4

Loosen the hex nuts with the hex wrench provided.



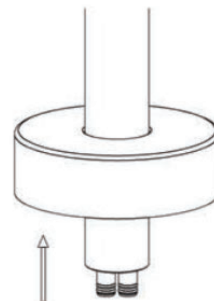
### STEP 5

Remove the plate



### STEP 6

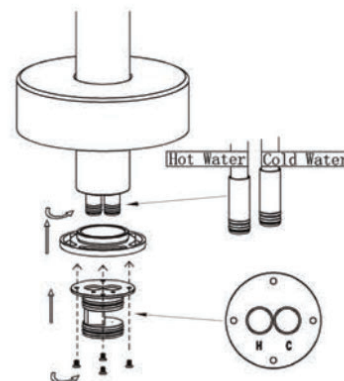
Slide the Escutcheon. (from the bottom of the floor tube)



### STEP 7

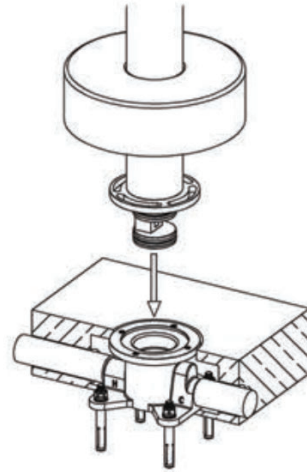
Secure the floor tube connector to the bottom of the floor tube.

Connect the Rough-in valve connector to the floor tube connector with 4 screws.



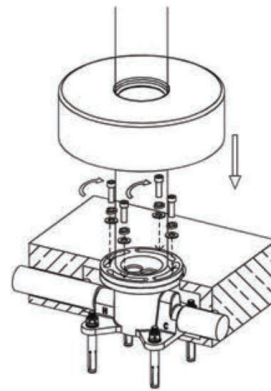
## STEP 8

Secure 4 hex nut together with other 2 sequential fittings. Slide down the floor escutcheon to cover the rough in valve.



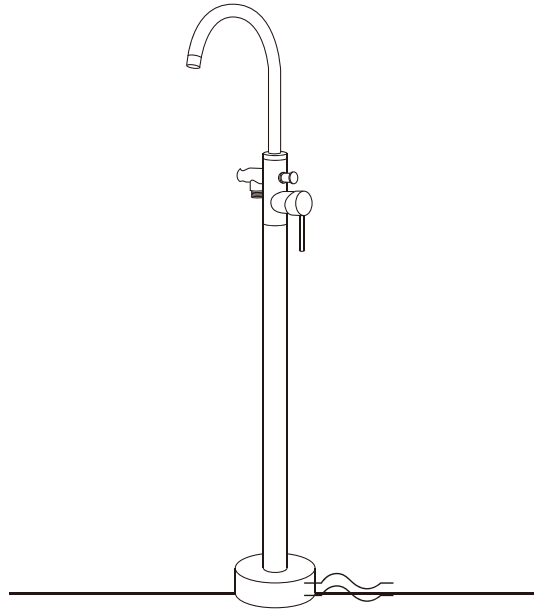
## STEP 9

Insert and press the faucet into the rough-in valve. (Rotate the freestanding bathtub faucet to adjust the direction if necessary)



## STEP 10

Sit the faucet upright with the mounting plate flat to the floor. Use your level to verify that the faucet is properly aligned. If the faucet is not level place a shim underneath the mounting plate and adjust as necessary.



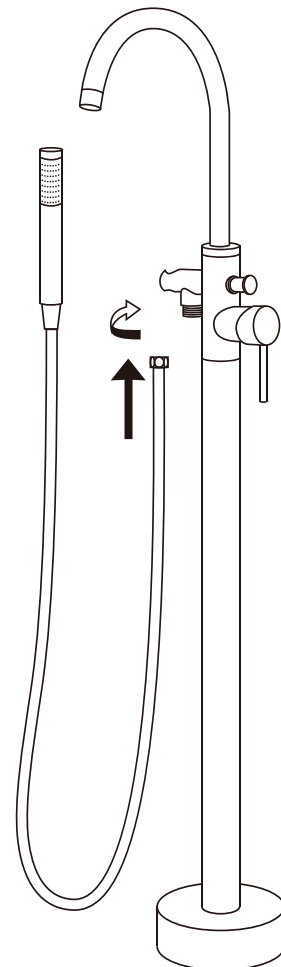
## STEP 11

Finish your installation by attaching any hoses and/or handles that might be included. There is a bag of extra materials included in the packaging. There may be items that are not used at the time of installation but may be needed later. Do not discard these materials.

**TIP:** If your faucet features a hand shower attachment, screw the tapered end of the hose onto the hand shower so that the piece fits properly in the cradle.



Tighten the set screw located on the side of the faucet with your allen wrench to secure the spout in place.



## MAINTENANCE & CARE INSTRUCTIONS

Care should be exercised when cleaning this product. Although its finish is extremely durable, it can be damaged by harsh abrasives and cleaning pads. Use a light, non-abrasive cleaning solution or cleaning polish to clean the faucet surface.



**Any Damp Micro Fiber Cloth**



**Soapy water**



**PH balanced soap based cleanser**



**Any Chemical free cleanser**



**Cleaner with wax or filling agents**



**Cleaners with unidentified chemicals**



**Anything that can scratch the surface**



**Caustic, acidic or abrasive agents with any solvent**

## WARRANTY TERMS



This warranty extends only to the original owner/end-user for personal household use only. For commercial uses, additional limitations may apply. Eisen Home warrants mirrors, bathtubs, faucet finishes and fittings to be free from defects in workmanship and materials under normal use and service for a period of two (2) years. Eisen Home will, at its election, repair, replace, or make appropriate adjustment where Eisen Home optional inspection discloses any such defects occurring in normal usage within the warranty periods. Please note that Eisen Home is not responsible for installation or removal costs. Improper modification of any bathtub and/or faucet may void the warranty.

This warranty does not cover any claim arising from abuse, misuse, negligence, accident, improper installation or operations on part of the purchaser. This warranty is void if the Eisen Home product is subject to alterations, or if repairs are attempted by anyone other than an authorized agent of Eisen Home. This warranty does not extend to any plumbing or components installed by dealers, installers or by any party other than Eisen Home. Implied warranties, including that of merchant ability or fitness for a particular purpose, are expressly limited in duration to the duration of this warranty. Eisen Home disclaims any liability for special, in or consequential damages.

### PRODUCT LIMITATION OF LIABILITY

Eisen Home shall not, under any circumstances, be liable for special or consequent damages, such as, but not limited to,

1. Damage to or loss of other property or equipment,
2. Loss of profits, revenue or reputation,
3. Cost of replacement goods,
4. Cost of storage, handling and/or care of damaged, defective or nonconforming goods or
5. Claims of buyer's customer or service interruptions.

Eisen Home is not responsible for any additional parts or equipment required for the installation or use of any of its products merchandise, such as plumbing supply requirements (elbow joints, valves, pipes etcetera). Eisen Home is not responsible for the installation of any of its products or merchandise.

The liability of Eisen Home arising out of or related in any way to the sale, delivery, resale, installation or use of the good furnished by Eisen Home, whether arising out of contract, negligence, strict tort, or any warranty or otherwise, shall not exceed price of the specific goods upon which liability is to be based. Buyer's remedies for any breach of this agreement by Eisen Home with respect to Eisen Home liability under this agreement shall be limited to either Eisen Home choice of any of the following:

1. The repair of the goods,
2. The replacement of the goods,
3. The return of the goods in question to Eisen Home and the return to the buyer of any consideration paid to Eisen Home for said goods.

Register your product at: [www.eisenhome.com/warranty-terms](http://www.eisenhome.com/warranty-terms)





[cs@eisenhome.com](mailto:cs@eisenhome.com)



[eisenhome.com](http://eisenhome.com)



(213) 425 3095