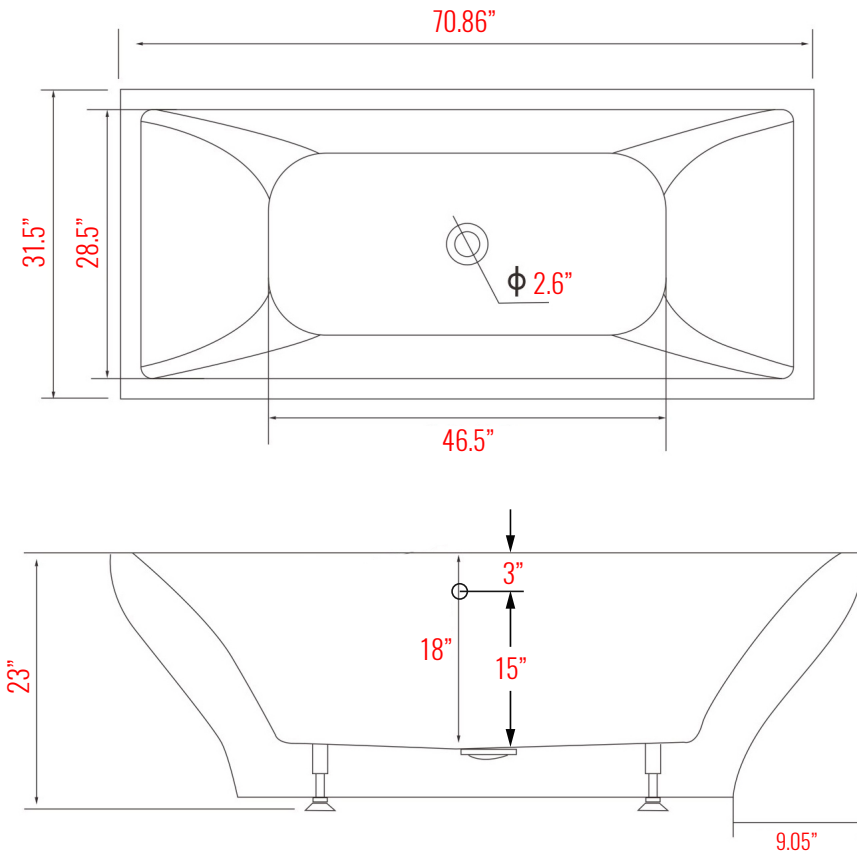


FEATURES

- Slim Rectangular Overflow with Polished Chrome Finish
- Non-Porous, Easy to Clean Surface
- High Heat Retention
- UPC Approved



Unit	Length	Width	Height
inches	70.86"	31.5"	23"
mm	1799.84	800.1	584.2

