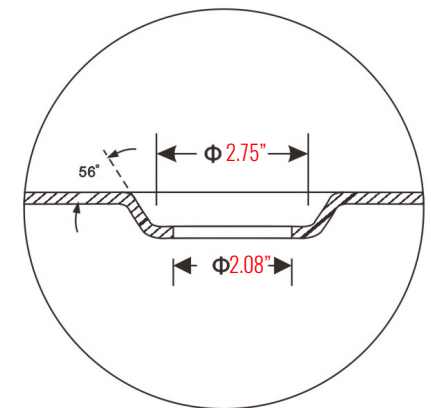
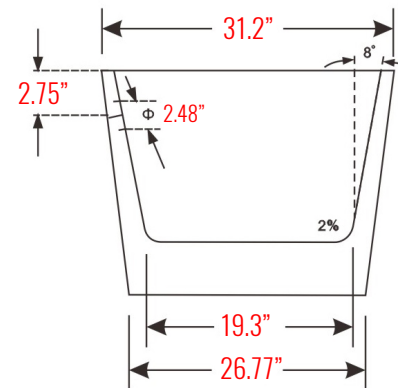
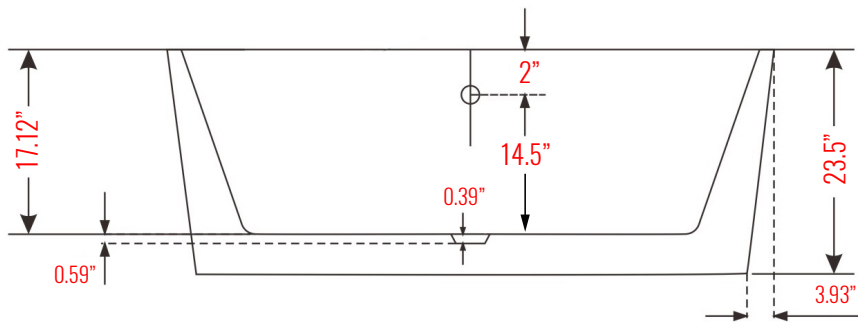
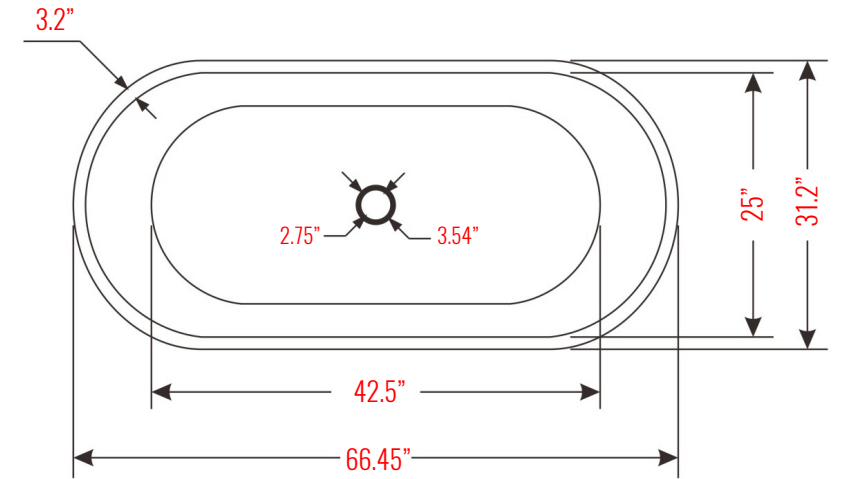


FEATURES

- Slim Rectangular Overflow with Polished Chrome Finish
- Non-Porous, Easy to Clean Surface
- High Heat Retention
- UPC Approved



Unit	Length	Width	Height
inches	66.45"	31.2"	23.5"
mm	1687.83	792.48	596.9

