

RECOMMENDED INSTALLATION

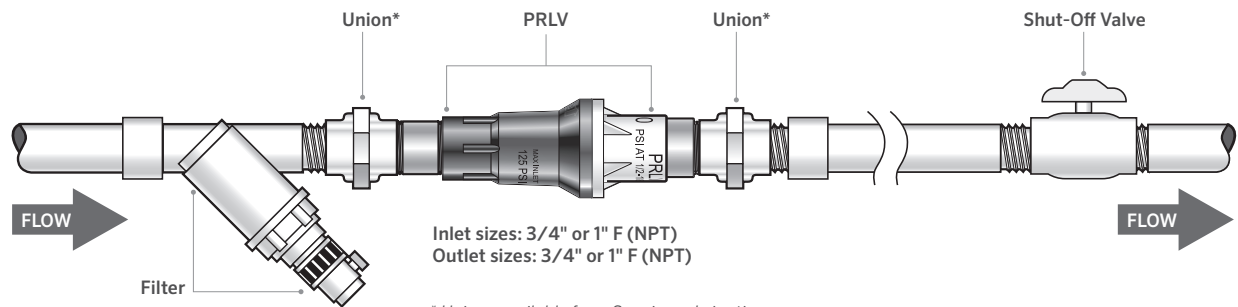
Pressure Regulating Limit Valve™ (PRLV)

To be used outdoors only, in place of a standard pressure regulator, where it is also desired to limit static (no-flow) water pressure between the pressure regulator and a shut-off valve downstream.

DESIGN NOTES:

- Because the Pressure Regulating Limit Valve is designed to operate with clean water, the use of a filter upstream of all PRLV's is recommended.
- Filters should be 100 mesh or finer and be capable of flowing up to 18 gpm with no more than 5 psi internal friction loss.
- Maximum inlet pressure: 125 psi [8.61 bar]
- If using a thread sealant, use only Teflon tape.
- If all shutoff valves are upstream from the point of regulation, then the use of a Senninger Pressure-Master®, PRL, or PRLG Regulator is recommended instead of a PRLV.

Direction of flow through pressure regulating limit valve must be in the same direction as arrow shown on the prlv.
For outdoor use only



Caution:
DO NOT DISASSEMBLE THE PRESSURE REGULATING LIMIT VALVE!
Each PRLV contains a compressed spring which could cause personal injury if released.