

VIPER KIT LED STRIP INSTALLATION INSTRUCTIONS

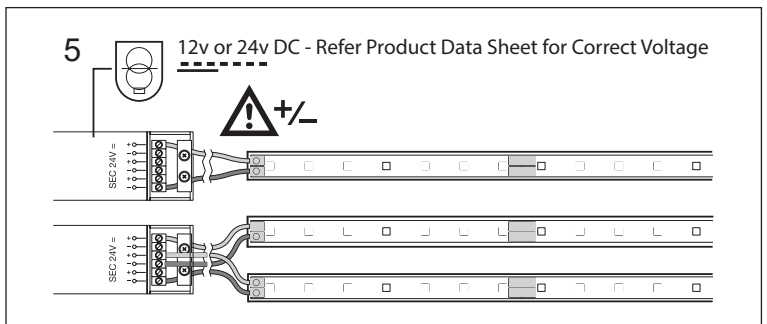
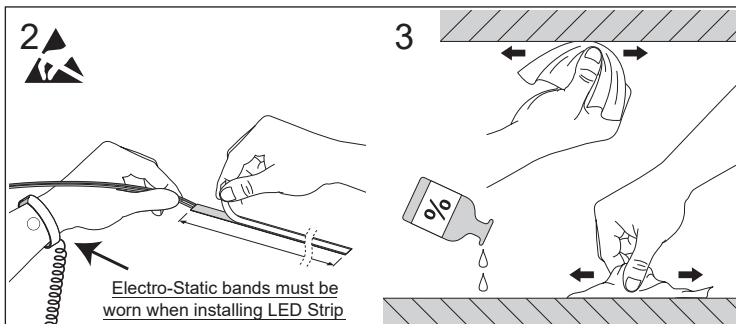
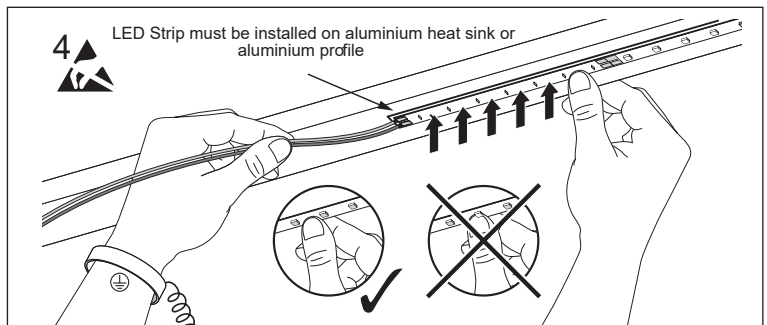
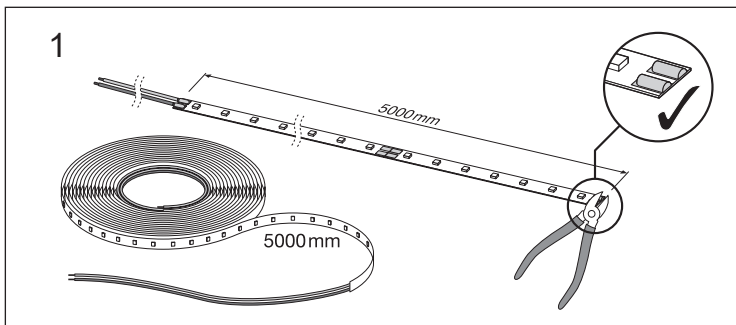
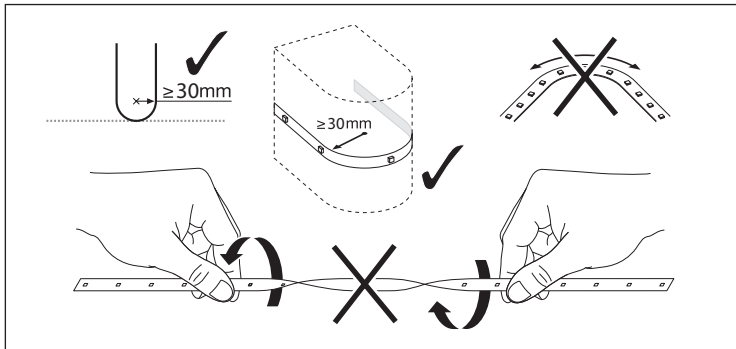


PRODUCT SPECIFICATIONS

INPUT VOLTAGE	12v DC OR 24V DC LED DRIVER See Product Data Sheet for specific requirements
WIRING	PARALLEL
MOUNTING	ALUMINIUM PROFILE OR HEAT SINK
MAXIMUM LENGTH	2,000MM-10000MM See Product Data Sheet for Maximum Length
REQUIREMENTS	12v DC OR 24V DC LED DRIVER See Product Data Sheet for specific requirements
DIMMING	NON DIMMABLE OR TRIAC See Product Data Sheet for specific requirements
OPERATING TEMP.	UP TO 65° CELCIUS
AMBIENT TEMP.	-20° TO 50° CELCIUS
MAXIMUM RUNNING TIME	12HRS PER DAY- See Warranty T&C's for full Terms & Conditions
CRI	> 80 OR >90 See Product Data Sheet for specific requirements
BEAM ANGLE	120°
IP RATING	IP20 IP54 IP67
WARRANTY	3 YEARS REPLACEMENT* See Warranty T&C's for full Terms & Conditions

PRODUCT MAINTENANCE AND PRECAUTIONS

- LED strip installation must be installed by qualified personnel.
- LED strip must be tested and photographed on before installation for warranty validation.
- For cutting LED strip, it is necessary to use the standard accessories provided by Havit Lighting (e.g. DC wire, end-cap, front-cap, adhesive, etc.), and according to the correct cutting and connecting methods for the installation.
- LED strip cannot be installed in areas where water hazards might be formed, such as the surface of pits and ditches. And similar places in which rain and water may be accumulated easily.
- LED Strip must be installed on aluminium surface including heat sink or profile, Aluminium sheets can also be used but must be 3mm or greater in thickness to comply with warranty.
- Do not strongly pull or twist the LED strips during the installation process. Also avoid squeezing and scratching LED strips with sharp objects.
- LED Strip must be operated within the correct ambient and operating temperature ranges specified on the product data sheets and also in table on this document.
- For correct connection of the product, each length of LED strip must be connected to the main power source.
- Do not bend LED Strip below 60mm in diameter, Bending below this diameter will cause strip to break and will void warranty.
- LED Driver should retain 20% of total load to make sure LED Strip has the full potential to work correctly.
- Voltage supplied to LED Strip must be with 5% of required voltage LED Strip requires to work correctly.
- Must guarantee that each power source (GND) must be connected.
- Pay attention to the power cable during the installment process, Installer must not connect LED Strip incorrectly to LED Driver by making sure polarity is correct and output voltage of LED Driver is same as LED Strip, Incorrect installation may cause damage to LED Strip and warranty will be voided.
- Electro-static bands must be worn during installation to avoid any electricity being transferred to LED Strip and causing failure.
- During the warranty period, only defective products are acceptable to be replaced by Havit Lighting. Havit Lighting is not responsible for other expenses because of replacement, such as transportation fee, installation fee, etc.



Web: www.havit.com.au
Email: sales@havit.com.au
Phone: 02 9381 8300

ADDRESS: 143 Beauchamp Road, Matraville, N.S.W., 2036



Warranty Terms & Conditions



www.havit.com.au