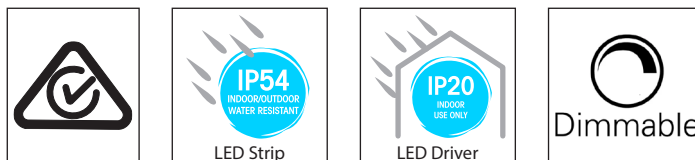
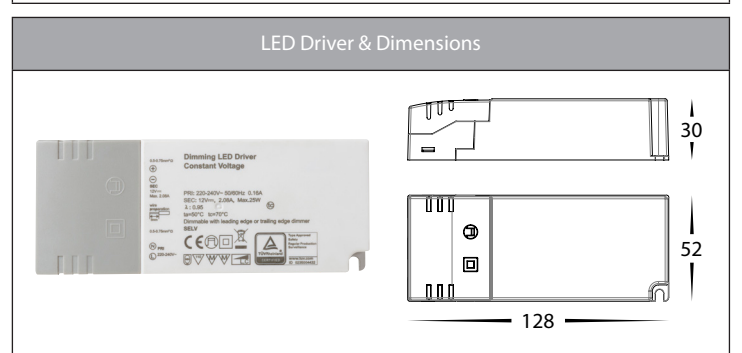
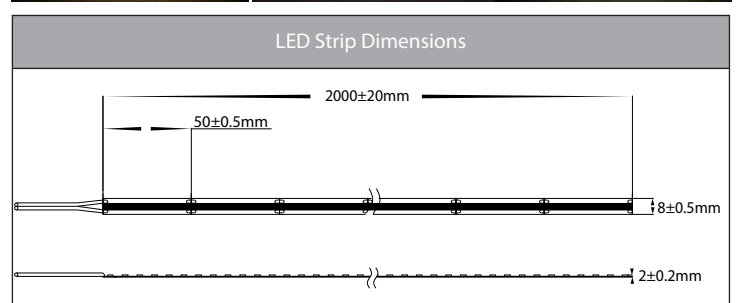


# VIPER 10w COB 2 Metre LED Strip Kits



## Product Specifications

Name	Viper
Wattage Per Metre	10w
Colour Temp.	3000K, 4000K, 5500K
CRI:	>90
Beam Angle	120°
IP Rating	LED Strip - IP54
	LED Driver - IP20
Size	8mm x 3mm
Input Voltage	LED Strip - 24v DC
	LED Driver - 240v with Flex & Plug
LED Chip Type	COB
LED Chips Per Metre	320
Supplied Length	2 Metres
Cutting Increments	Every 50mm
Wiring	Parallel
Dimmable	Yes - Triac Dimming
Warranty	3 Years Replacement*



## Optional Havit Compatible Accessories

Image	Part Number	Description
	HV9625	Triac Dimmer for use with Triac Dimmable Drivers

## Product Ordering

Image	Part Number	Colour Temp	Lumens Per Metre	Included LED Driver	Barcode
	<b>VPR9763IP54-320-2M</b>	3000k	800lm	25w Triac Dimmable (HV9668-24V25W)	9350418035851
	<b>VPR9764IP54-320-2M</b>	4000k	820lm	25w Triac Dimmable (HV9668-24V25W)	9350418035868
	<b>VPR9765IP54-320-2M</b>	5500k	810lm	25w Triac Dimmable (HV9668-24V25W)	9350418035875

\*Items ordered after 01-01-2022

