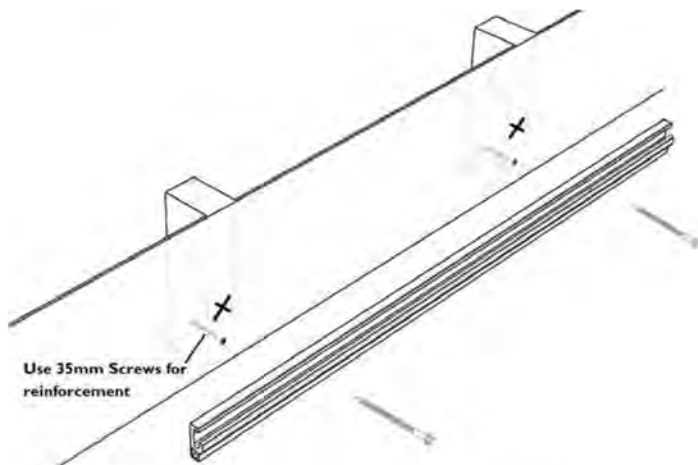


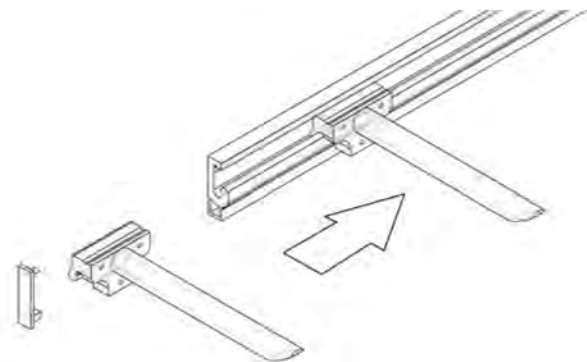
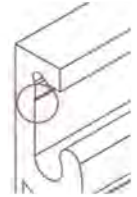
FURNISH.

LOUNGE - DINING - OUTDOOR FURNITURE

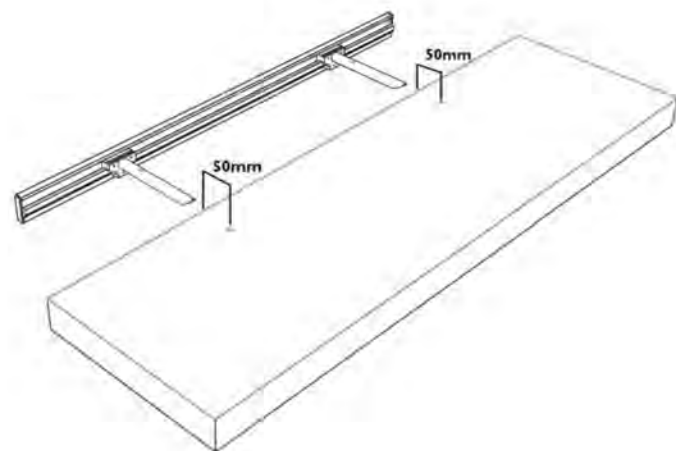
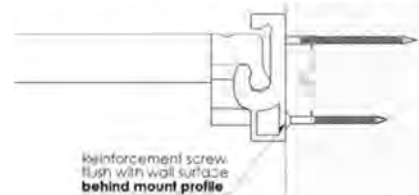
Floating Shelf Installation Guide



- 1A Mark on wall surface desired location of shelf. Locate studs in wall cavity and mark position for mounting holes. **Ensure anchoring points meet location of studs**. Transfer the drill positions onto the mounting track and drill holes with 5.5mm drill bit. Countersink holes with 9mm drill bit (Use "V" groove at top as guide for drillings)



- 1B Mark additional holes 30mm below mounting holes on wall. Fix screws into these holes until the head is flush with the wall surface. Ensure mounting track is level with spirit level. Secure profile into studs through wall with 65mm screws. (Side view)



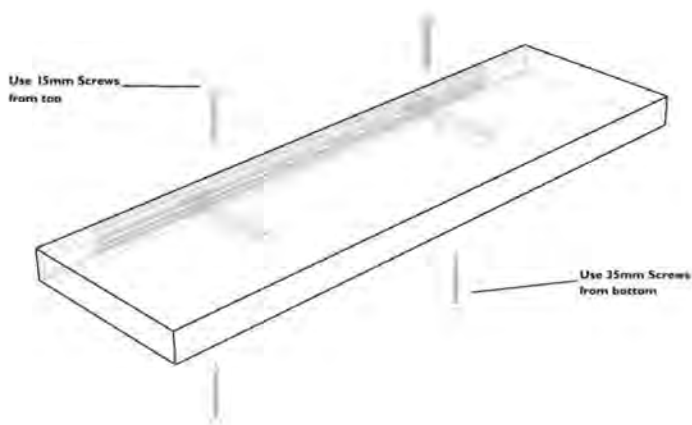
- 2 Position arms to meet holes in shelf rear & apply end caps. Push shelf onto arms, 1st Tilt arms by tightening the grub screw located at bottom of the arm block, adjust the remaining screws at top accordingly to secure tilt position. (Use Allen key provided)



Turn clockwise to tilt shelf up, anti clockwise to tilt shelf down



Loosen screws in step 3 and slide shelf away from wall to access adjustment. Ensure all arms receive the same amount of adjustment for shelf to remain level. Tighten screws to secure shelf again after tilt adjustment is made.



- 3 Securing Shelf: Use marking tape to indicate the centreline of support arm on shelf surface. Mark fixing position 50mm from shelf rear edge on centreline. After drilling holes with 3mm drill bit remove marking tape. Fix 15mm screws from top, **OR** 35mm screws from bottom into securing holes in arms.

Floating Shelf Product & Installation Checklist

Suggested tools for installation

- * Power Drill
- * 3mm, 5.5mm & 9mm drill bit
- * Phillips head screwdriver
- * Spirit Level
- * Marking Tape, Pencil

Suggested hardware/Fixings (Not included)

- * 65mm x 4.5mm Countersunk chipboard screws (1 /Wall Stud)
 - * 5mm light duty nylon wall anchors to suit 65mm screws (1 / 65mm screw)
 - * 15mm x 3.5mm &/or 35mm x 3.5mm Countersunk chipboard screw (1 /Arm)
- NOTE:** For installation on solid wall types drill holes & apply nylon wall anchors before fixing any screws. (Reinforcement Screws optional for solid walls)

- * **Shelf Includes:**
- 1 x Mounting track
 - 2 x End Caps
 - Support Arm quantity (Refer to chart below)
 - Allen Key

Number of Support Arms	Shelf Size in Width
2	Max. capacity 25kg *700mm *800mm *900mm *1000mm
3	Max. capacity 33kg * 1100mm *1200mm *1300mm *1400mm *1500mm
4	Max. capacity 40kg *1600mm *1700mm *1800mm *1900mm *2000mm *2100mm *2200mm *2300mm *2400mm
5	Max. capacity 43kg *3000mm
6	Max. capacity 45kg *3600mm

Product Disclosure

Floating Shelf is designed to be fastened into either the studs behind a cavity or a solid wall structure. A minimum of 2 vertical studs is required to achieve maximum load capacity. If in doubt, contact your certified tradesman. **Maximum load capacity based on even distribution**