

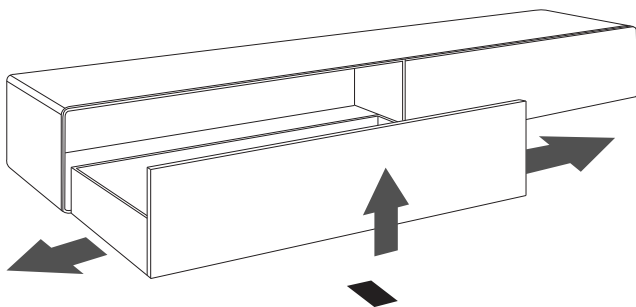
iFRC - Floating Cabinet Installation Guide

Your iFRC floating entertainment unit uses two aluminium mounting rails to attach the unit to the wall. One "L" shaped bracket for under the entertainment unit and one aluminium rail already built inside the unit under the top at the back of the unit. If you are not confident in installing wall mounted cabinets we recommend contacting your local tradesperson for assistance.

These instructions are for a stud or cavity wall installation. For solid surfaces, wall plugs or nylon anchors need to be applied into the wall surface before fixing the screws. The mounting screws and accessories are not included, due to the wide variety of wall types and materials the entertainment unit can be installed on. Your local hardware store or tradesperson can provide you with more information on the types of fasteners required for your wall.

TOOLS REQUIRED

- Drill
- Spirit level
- Screwdriver / powered screwdriver
- Stud finder
- 5.5 mm drill bit
- Counter sink bit / 9 mm drill bit
- Masking tape
- Appropriate wall screws 4.5mm x 65mm countersunk heads
- 4.5 x 15mm particle board screws with countersunk heads



Step 1

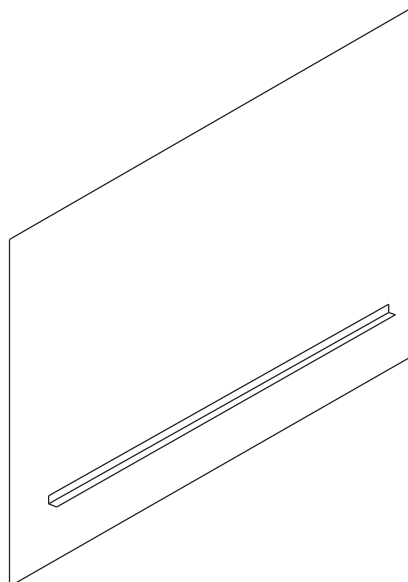
Prepare the cabinet for installation

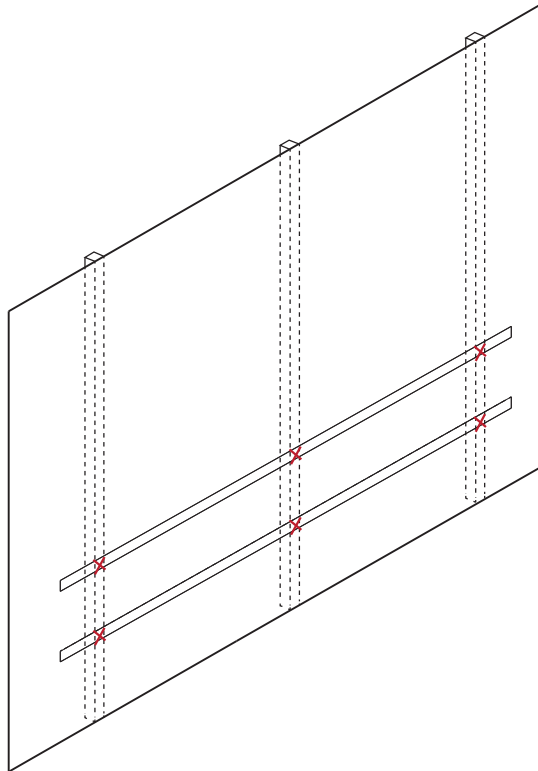
- Remove the "L" bracket from the base of the cabinet
- Remove the drawer from the cabinet by reaching under the base of the drawer and releasing the two plastic catches on either side. The drawer will then slide out and up.

Step 2

Determine position of the cabinet on the wall

- The L bracket is used to determine the horizontal and vertical position of the cabinet on the wall.
- The height of the "L" bracket will be the height that the base of the entertainment unit is off the floor.





Step 3

Find the wall studs and transfer their position to the "L" bracket and aluminium rail

- This is easily done using two pieces of masking tape the same length of the cabinet.
- Stick the two pieces of masking tape to the wall in the same position that the "L" bracket will go.
- Using the stud finder mark the centre position of the wall studs on the wall and transfer those marks to the two pieces of masking tape.
- Remove the tape and apply one piece to top of the "L" bracket (the part with the staggered screws) and the other to the bottom of the aluminium rail inside the cabinet.

NOTE: you will need to separate the tape for the aluminium rail into two parts due to the divider in the cabinet. Remember to account for the thickness of the divider when applying the tape to the rail

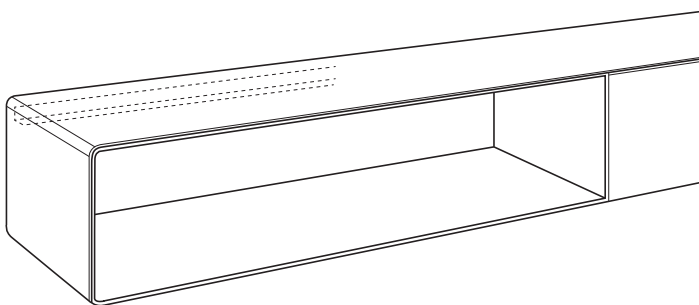
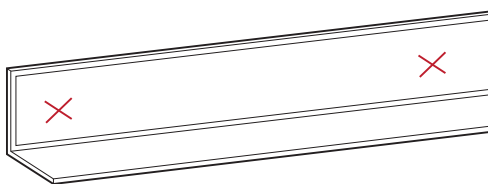
Step 4

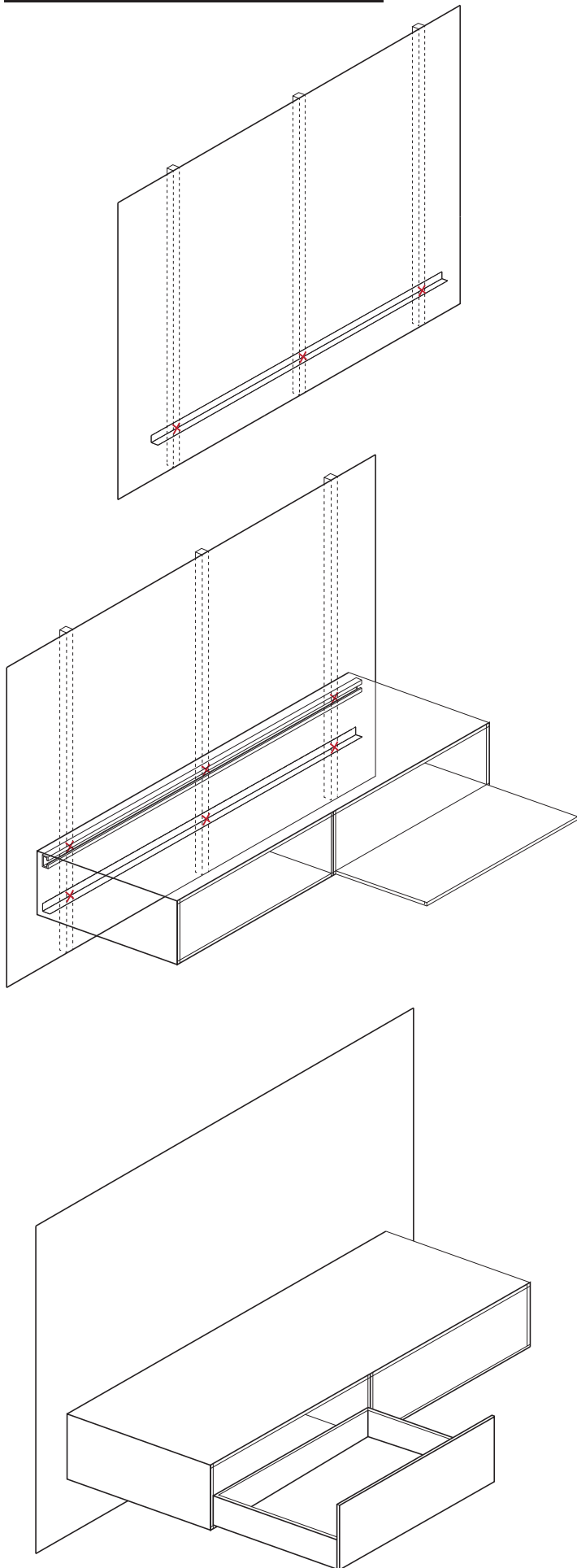
Pilot drill the "L" bracket and aluminium rail

- **For the "L" bracket:**
 - If the pre-drilled holes do not line up with the stud marks, Then drill new holes using the 5.5mm drill bit and countersink using the 9mm drill bit or a countersinking drill bit.
- **For the aluminium rail:**
 - If the pre-drilled holes do not line up with the stud marks, then drill new holes using the 5.5mm drill bit. The rail has a small "V" groove running the length of rail to assist with this. It is not necessary to countersink these pilot holes.

NOTE: The aluminium rail is like a hollow tube. Make sure your pilot hole goes all the way through the rail.

TIP: If you are installing on a solid wall you don't need to drill new pilot holes. Just use the ones pre-drilled for you in the rail.





Step 5

Attach the "L" bracket to the wall

- Align the "L" bracket with the desired position on the wall
- Check it is level using the spirit level
- Fix to the wall using 65mm countersunk screws through the pilot holes and into the wall studs.

Step 6

Attached the cabinet to the wall

NOTE: This will require 2-3 people

- Rest the base of the cabinet on the "L" bracket and push it flush with the wall
- Using 65mm screws, fix the cabinet to the wall by screwing through the pilot holes and into the wall studs.

Step 7

Fix the cabinet to the "L" bracket

- Screw up through the bottom of the "L" bracket using, using the pre-drilled holes, with 15mm particle board screws to hold the cabinet into place.

Step 8

Re insert the drawer

- Slide the drawer onto the runners and push in.
- You should hear a click and the drawer will be locked into place.