

TECHNICAL DATA SHEET

2.4G Touch Remote Control Metalclad LED Controller (360W)

PRODUCT DESCRIPTION

The metalclad touch remote LED controller is an universal type of RGB touch remote controller, which is adopting the most advanced PWM control technology, controlling all RGB LED products with four lines and three circuits (common anode). It also owns 640 thousand colours and 20 automatic changing modes to choose. It is widely used in LED RGB strip lights, LED modules etc. Also, it has the memory function (that is to say, the previous settings will be resumed when the power is on again). With the technology of the 2.4G high frequency wireless remote control, it has the characteristics of low power consumption, long distance transmission, and strong anti-interference ability, high-speed telecommunications, etc. The remote looks fashionable and elegant, with simple and practical functions of colour changing and brightness dimming, the capacitive touch screen design makes the remote easy to use.



TECHNICAL PARAMETERS

The Controller parameters:

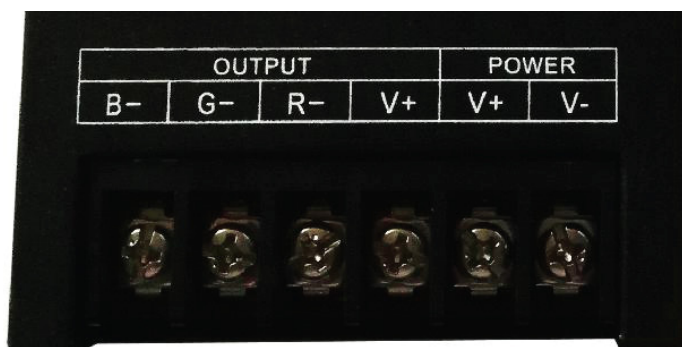
Working Temperature	-20 - 60°C
Input Voltage	DC5V~24V
Output	3 circuits
Connection Mode	Common anode
Controller Size	L74xW110xH24 mm
Net Weight	195g
Static Power Consumption	<1W
Output Current	<10A/ch
Output Power	5V:<150W, 12V:<360W, 24V:<720W

The Remote parameters:

Items	Parameters	Remark
Supply Voltage	3V	2* AAA Batteries
Transmission Frequency	2400 - 2483.5 Mhz	
Modulation Method	GFSK	
Transmission Power	6db	
Standby Power Consumption	5uA	
Remote Control Distance	20 - 30 m	
External Dimensions	110*55*20 mm	

CONNECTION DESCRIPTION

The input and output: Using the screws to be fixed



The Function of the Remote



Function Information:

1. Using the 2.4G radio frequency wireless to control, no need to point at the controller.
2. About 20 - 30 meters empty remote control distance.
3. The remote has a touch control mode.

TECHNICAL DATA SHEET

Programming (code matching and code clearing):

The item already codes between remotes and light before shipping, one remote can control multiple LED lamps/strips or use a new remote control that needs coding operation which is as follows.

Code Matching:

For a new kit (remote & controller), the remote can work only when it is programmed to the controller. Please follow the instructions below:

- Confirm it is correctly connected between power supply, LED controller and LED load.
Switch off the power, then switch on again, and press key "Speed+" once (within 3 seconds) the moment you see the light is on. The LED light will flash twice slowly, which means that the code matching is successful.

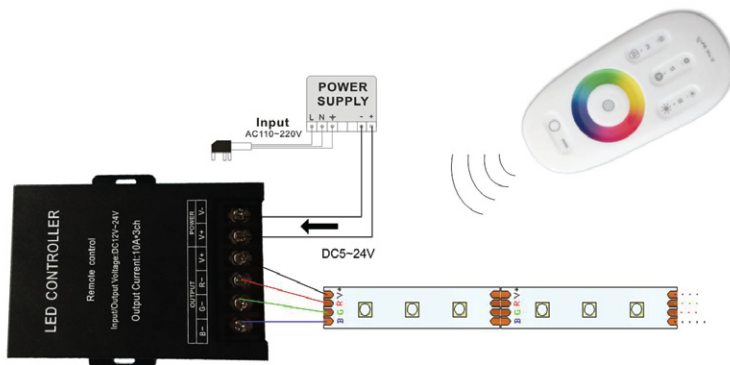
Code Clearing:

The code can be cleared as needed. The kit (remote & controller) will stay in the original state after code clearing, and it can work again when code rematching is done. Please follow the instructions below:

- Confirm it is correctly connected between power supply, LED controller and LED load.
Switch off the power, then switch on again, and long press key "Speed+" (within 3 seconds) the moment you see the light is on. The LED light will flash nine times swiftly, which means the code clearing is successful.

*NOTE: The regular product for sale is a kit (remote and controller). The user can re-programme freely as needed. One remote can control countless controllers, but one controller can only be controlled by four remotes (Max.).

CONNECTION DIAGRAM



Control Methods:

1. Connect the load line, then connect the power line and make sure that all lines has no short circuit before power is on.

2. When power is ON, the touch ring can become quick and smooth when changing colours, "mode+" and "mode-" have 20 different mode choices, details below:

Program List (For "Mode+" and "Mode-")

No.	Mode	Brightness	Speed
1	Static white	Adjustable	Unadjustable
2	White (Gradual change)	Adjustable	Adjustable
3	All colours (Gradual change)	Adjustable	Adjustable
4	Red/Green/Blue (Gradual change)	Adjustable	Adjustable
5	7 colours (Jumps to change)	Adjustable	Adjustable
6	3 colours (Jumps to change)	Adjustable	Adjustable
7	Red/Green (Jumps to change)	Adjustable	Adjustable
8	Red/Blue (Jumps to change)	Adjustable	Adjustable
9	Blue/Green (Jumps to change)	Adjustable	Adjustable
10	White (Frequently blinks)	Adjustable	Adjustable
11	White (Glitters)	Adjustable	Adjustable
12	Red (Frequently blinks)	Adjustable	Adjustable
13	Red (Glitters)	Adjustable	Adjustable
14	Green (Frequently blinks)	Adjustable	Adjustable
15	Green (Glitters)	Adjustable	Adjustable
16	Blue (Frequently blinks)	Adjustable	Adjustable
17	Blue (Glitters)	Adjustable	Adjustable
18	Yellow (Frequently blinks)	Adjustable	Adjustable
19	Yellow (Glitters)	Adjustable	Adjustable
20	Circulation Mode		

3. When the current state is in a colour wheel, to adjust the mode, press "Mode+" or "Mode-" which will bring back the last selected mode.

4. When longly pressing "Speed+", "Speed-", "Brightness+" or "Brightness-", it can quickly adjust their levels accordingly.

CAUTIONS

1. This product can only be used on supply voltage DC5-24V, do not input on other voltage
2. The lead wire shall be according to the wiring diagram of the colour and label, connect correctly
3. This product cannot be overloaded
4. Please keep your finger away from the touch ring when installing the batteries. To improve its sensitivity, and use the remote (3 seconds later) after the batteries are installed. Please reinstall the batteries, if the touch ring is found low-sensitivity
5. Do not put the controller in a wide range of use metal area, or near a strong electromagnetic wave area, otherwise it will seriously affect the communication distance.