



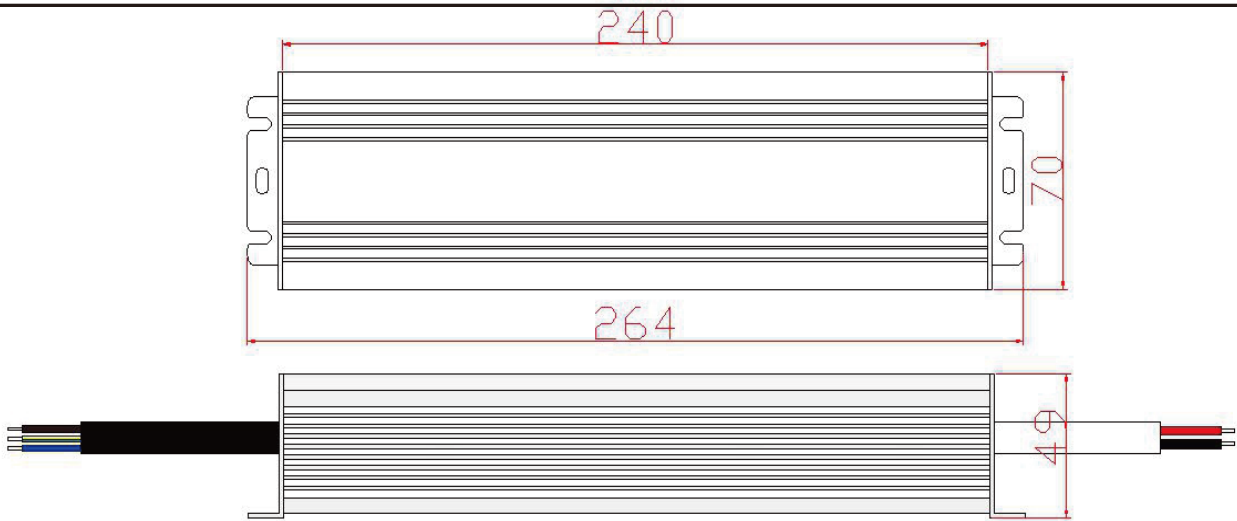
**Features :**

1. Constant voltage design ( Constant Voltage Mode )
2. Universal AC input
3. Sealed inside with plastic irrigation. IP67 Grade.
4. Withstand 300VAC surge input for 5 second
5. Protection: Short-circuit/Overload/Over-voltage
6. Cooling method: natural cooling
7. 100% full load testing
8. High performance

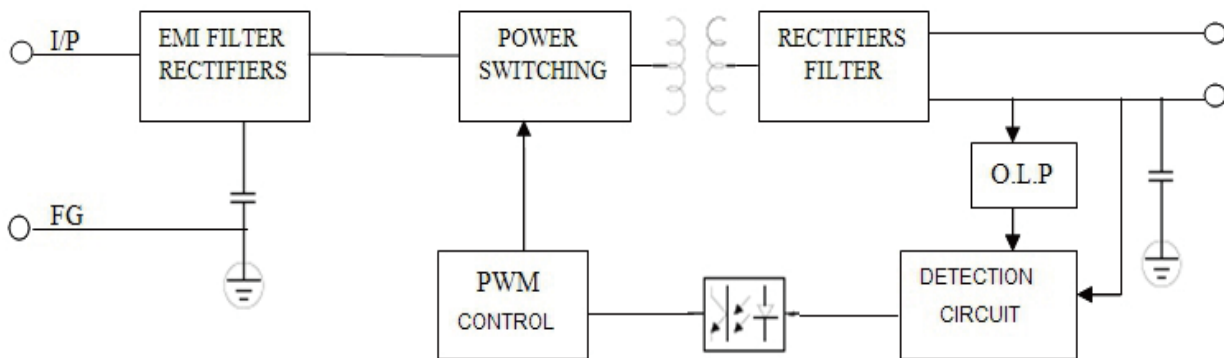


<b>Model No.</b>		<b>LV-12200</b>
<b>Output</b>	Output Voltage	12V±0.5V
	Rated Output Voltage	12V
	Output current	0-16.7A
	Power	200W
	Voltage Precision	12V±0.5V
	Output Ripple	240mVP-P
	Load Reulation	±2%
	Start/Rise time	500ms , 20ms/230VAC
	Retention time	20ms/230VAC
<b>Input</b>	Input Voltage range	AC : 100-240V ( 170-264V )
	Input Frequency range	50-60Hz
	FP values	>85%
	Effeciency	>0.9
	Leak Current	0.25mA/240VAC
<b>Protection</b>	Overload Protection	110-150% of the output current Protection type : Hiccup mode
<b>Working Protection</b>	Working Temperature	-25°C-50°C
	Storage Temperature	-40°C-80°C
	IP Rate	90%RH non condensing, refer to IP67
	Shake Proof	10-500HZ,2G 10min/1cycle,preiod for 60min,each along X,Y,Z axes
	Temperature Coefficient	±0.03%°C (0-50°C)
<b>EMC</b>	Security Standard	IP67 approved:Design refer to LVD EN61347-2-13:2006,EN61347-1:2008
	Withstand voltage	I/P-O/P:1.5KVAC,I/P-COVER:1.5KVAC,O/P-COVER:500VAC
	Insulatuon Resistance	I/P-O/P:>100M Ohms/500VDC/25°C/70% RH
	EMC	EN55015:2006/A2:2009,EN61000-3-2:2006/A2:2009,EN61000-3-3:2008,EN61547:2009
<b>Others</b>	Mean Free Error Time	50KHours (25°C)
	Dimesnion	264*70*49mm(L*W*H)
	Weight	1500g

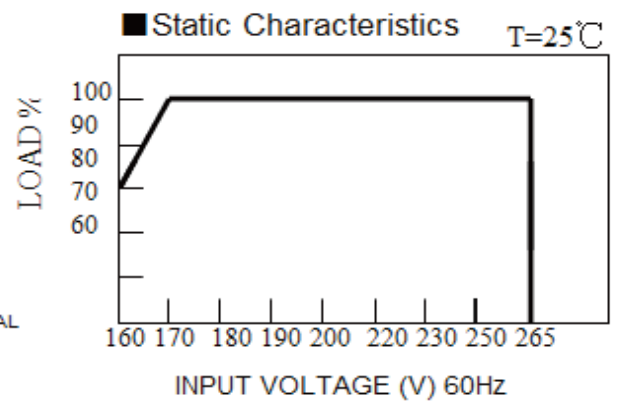
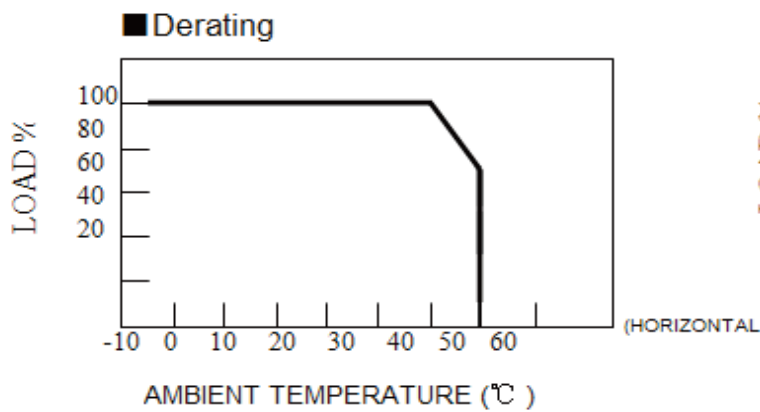
**Outer Size(mm) :**



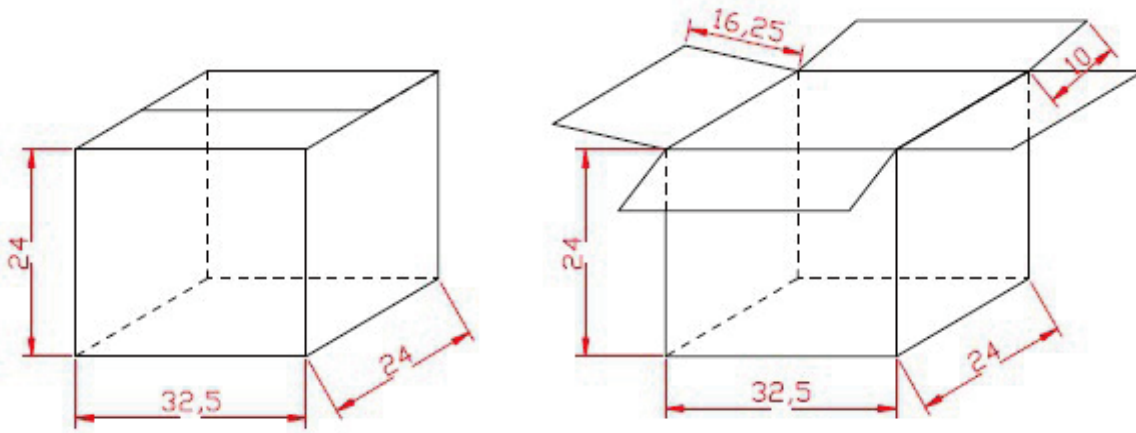
**Electrical Schematic Diagram :**



**Graph :**



## Packaging Specification(cm) :



1. Carton size : 32.5\*24\*24cm ;
2. Total: 10pcs/CTN
3. Carton Sealing was "H" shaped sealing
4. N.W.: 15.5KG.

## Warmly Reminder

1. Try to avoid the minefields, high-pressure area to install;
2. Ensure that the correct connection, in order to avoid short-circuit damage to components and trigger fires;
3. Connect the power supply is installed in a well ventilated place to ensure appropriate environmental temperature;
4. Prohibit live wiring, check to confirm wiring is correct, check the no short-circuit, then power;
5. If any problem occurs, do not make unauthorized repairing. If you have questions, please contact the supplier.