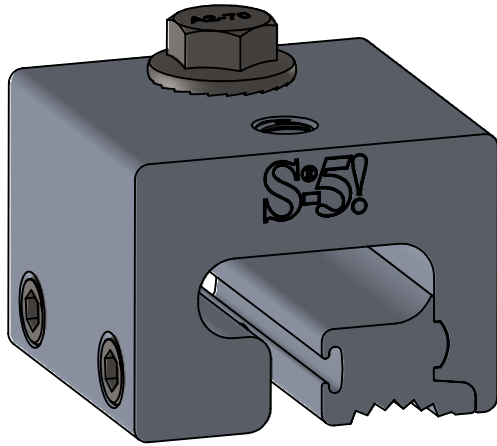
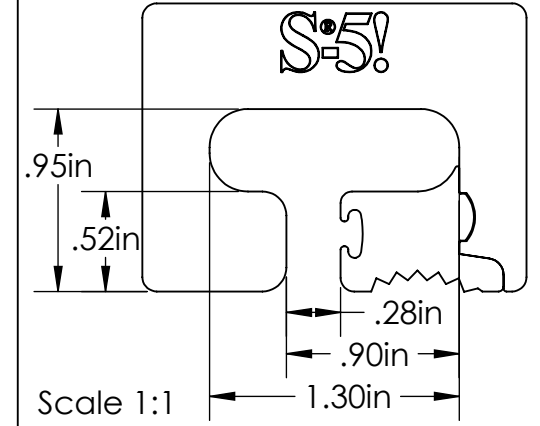
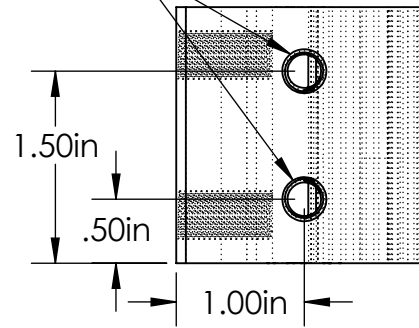


S-5-T

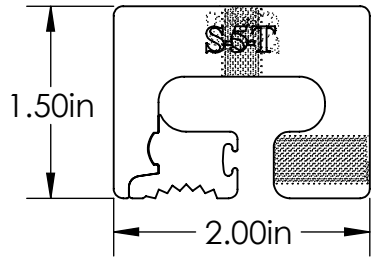


M8-1.25 Threaded Hole

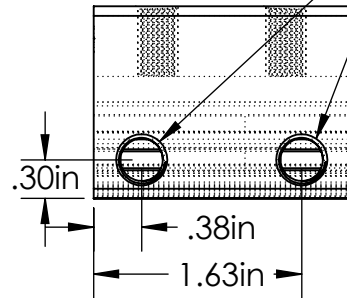
Top



Back

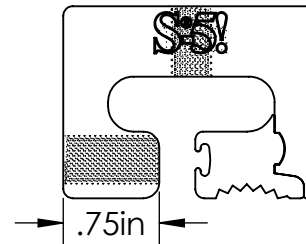


Left

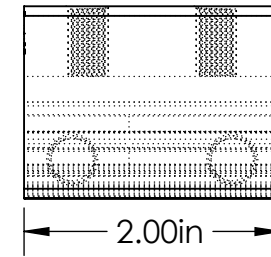


3/8-24 Threaded Hole

Front

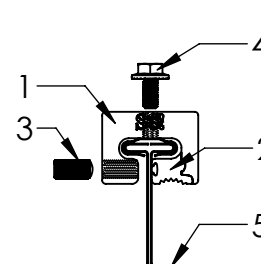
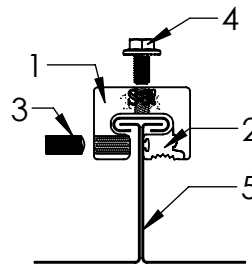


Right



General Notes:

1. S-5-T Clamp
2. S-5-T Insert
3. 3/8-24 Stainless Steel Round Point Setscrew (3/16 Hex Drive)
4. M8-1.25 Stainless Steel Hex Flange Bolt (13mm Socket)
5. Example Roof



FOR STANDING SEAM SPECIFIC MECHANICAL LOAD TEST INFORMATION AND CLAMP INSTALLATION INFORMATION PLEASE VISIT: WWW.S-5.COM

MATERIAL: 6061 T6 Al			METAL ROOF INNOVATIONS, LTD. 8655 TABLE BUTTE RD COLORADO SPRINGS, CO 80908 719-495-0518 719-495-0045(FAX)	
EST ASSEMBLY WEIGHT: 0.488 lbs			TITLE S-5-T	
SUPPLIED HARDWARE: M8-1.25 x 16 mm Bolt (2x) 3/8-24 x .800" Setscrews		DRAWING NO. T09-A-8-B		DRAWN BY Kafi Kadakas
SCALE: 1:1		DATE 4/11/2016		
EST. WEIGHT: Clamp: 0.355 lbs Insert: 0.0640 lbs Setscrew: 0.0170 lbs Bolt: 0.0345 lbs		S-5!® PRODUCTS ARE PROTECTED BY MULTIPLE U.S. AND FOREIGN PATENTS. VISIT OUR WEBSITE AT WWW.S-5.COM FOR COMPLETE INFORMATION ON PATENTS AND TRADEMARKS.		