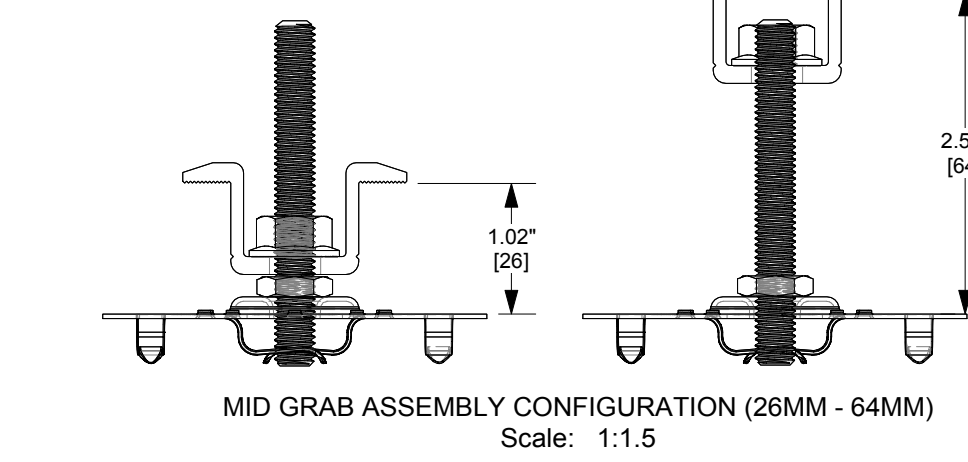
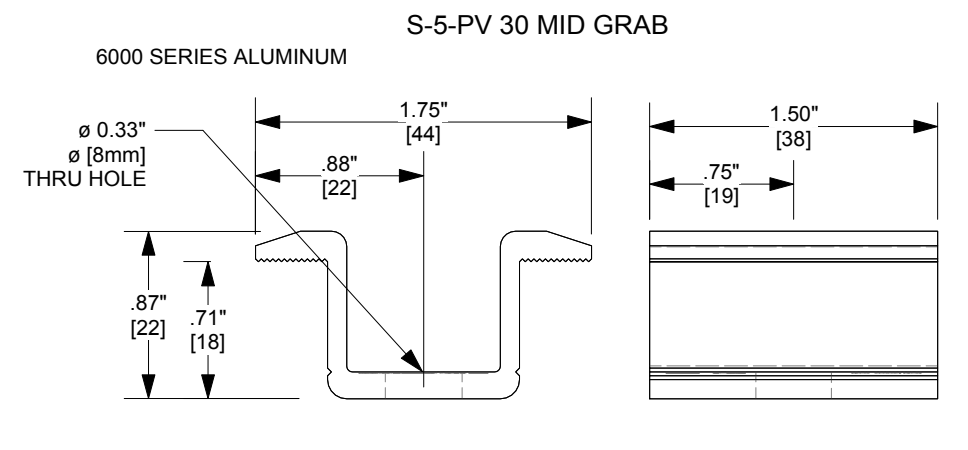
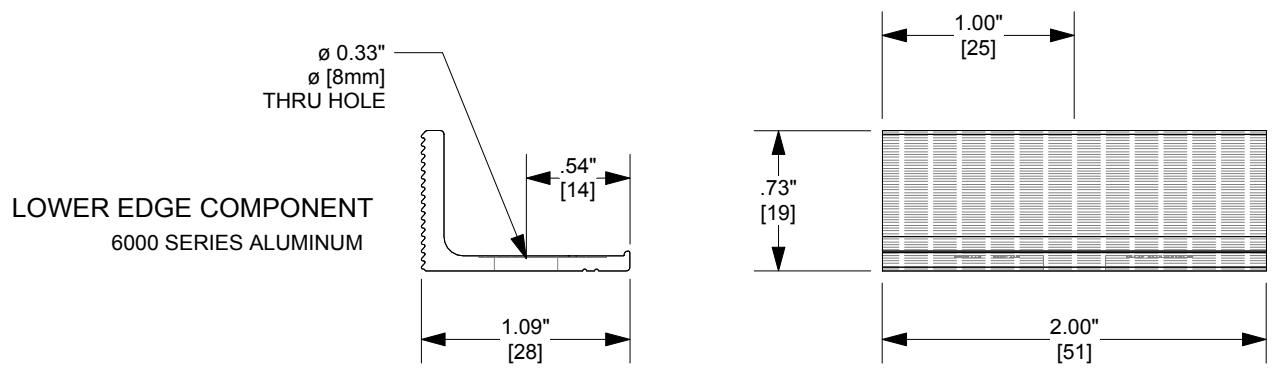
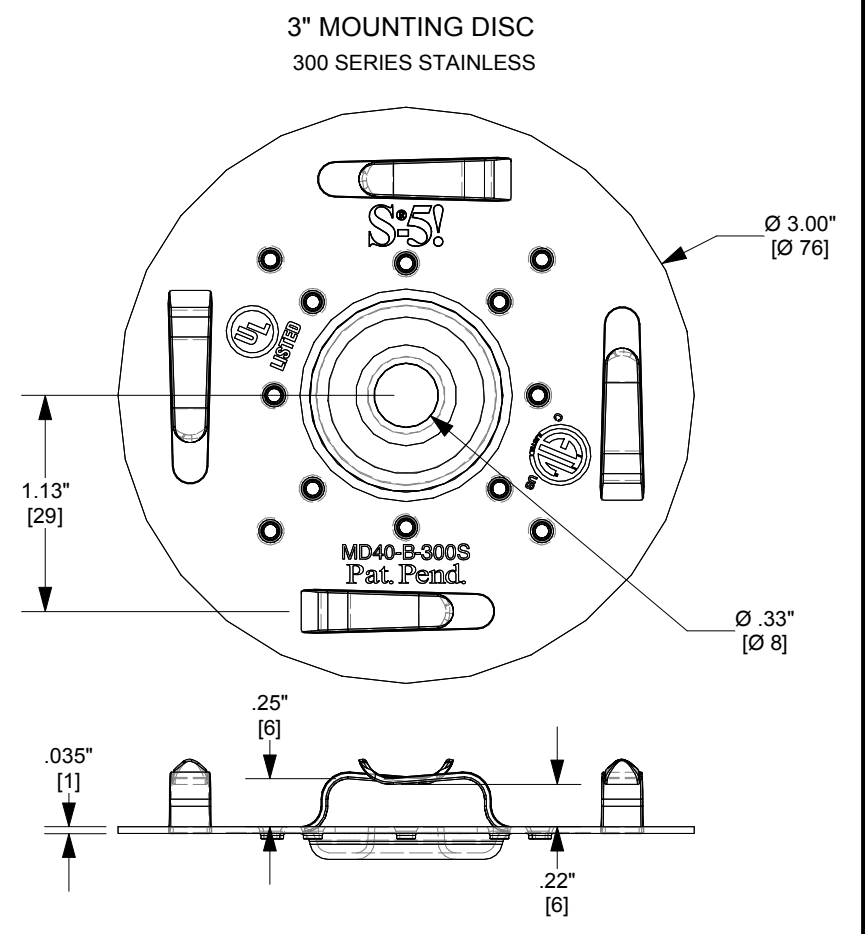


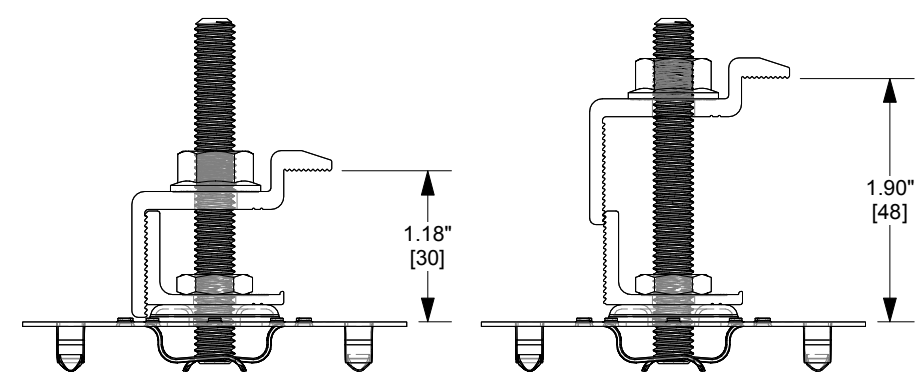
UPPER EDGE COMPONENT  
6000 SERIES ALUMINUM



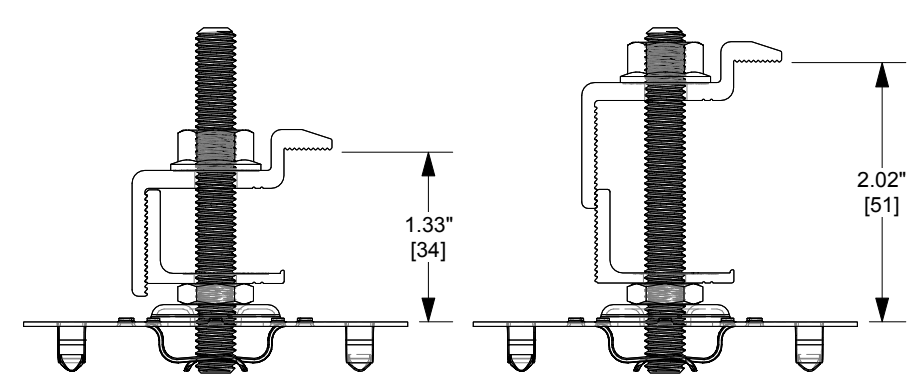
MID GRAB ASSEMBLY CONFIGURATION (26MM - 64MM)  
Scale: 1:1.5



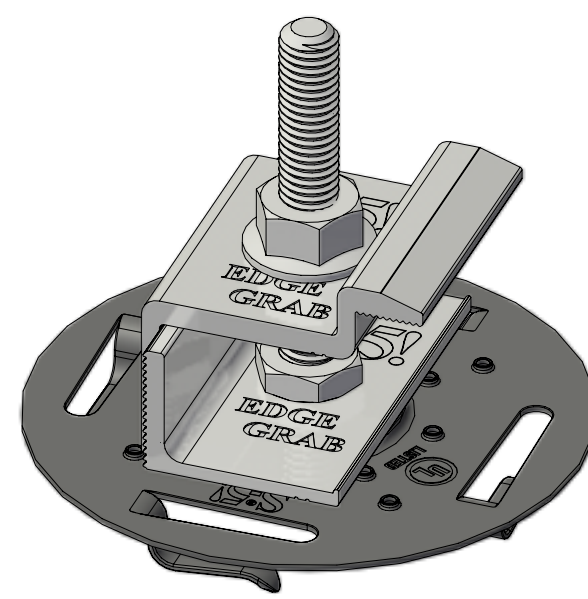
LOWER EDGE COMPONENT  
6000 SERIES ALUMINUM



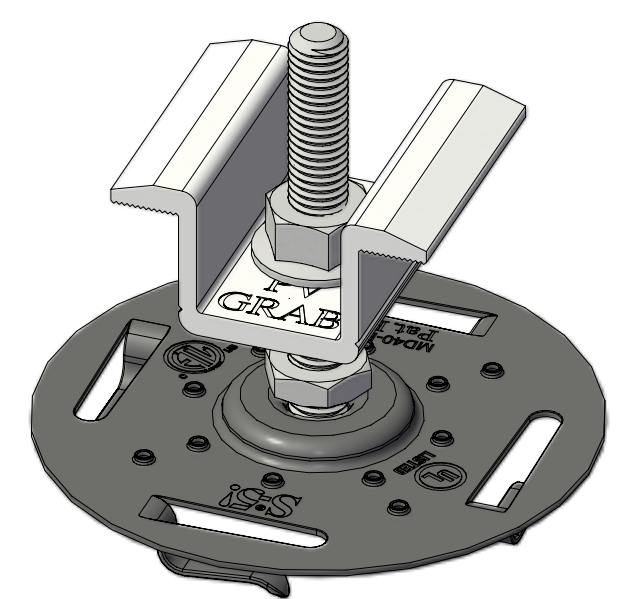
EDGE ASSEMBLY CONFIGURATION (30MM - 48MM)  
Scale: 1:1.5



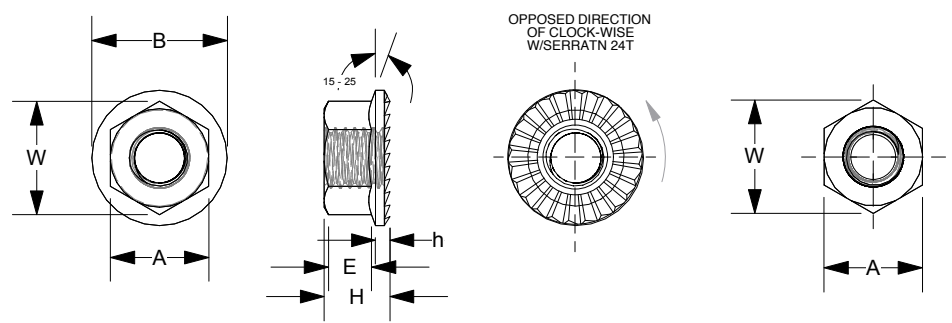
EDGE ASSEMBLY CONFIGURATION (34MM - 51MM)  
Scale: 1:1.5



S-5-PV 30 EDGE GRAB  
EST ASSEMBLY WEIGHT: 0.214 LBS

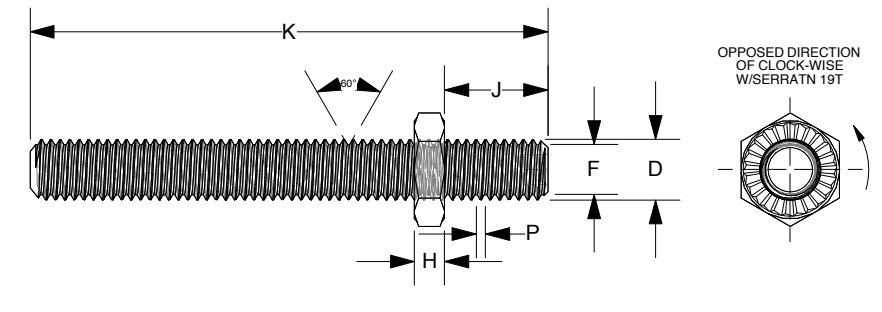


S-5-PV 30 MID GRAB  
EST ASSEMBLY WEIGHT: 0.20 LBS



DETAILS	HEAD DIA.	HEAD HI	WASHER DIA.			
SIZE	A	H	E min.	h min.	W min.	B
M8	12.75 13.00	7.85 8.35	3.20	1.50	14.28	17.00 18.00

M8 HEX FLANGE NUT  
300 SERIES STAINLESS



DETAILS	HEAD DIA.	HEAD HI	WIDTH ACROSS CORNERS	MAJOR DIA.	MAJOR DIA.	PITCH		
SIZE	A	H	W min.	F	D	J	K	P
M8	12.75 13.00	3.67 3.97	14.38	6.272 6.438	7.760 7.972	13.60 13.77	67.82 68.50	1.25

UNIVERSAL PV STUD  
300 SERIES STAINLESS

MATERIAL:	 <b>The Right Way!</b>			METAL ROOF INNOVATIONS, LTD. 8655 TABLE BUTTE RD COLORADO SPRINGS, CO 80908 719-495-0518 719-495-0045 (FAX)		
EST ASSEMBLY WEIGHT :						
SUPPLIED HARDWARE:	TITLE			S-5! PV KIT & S-5-EDGE GRAB		
SCALE:	DRAWING NO.	EGMG-A-0-A CCD	DRAWN BY	DMMH	DATE	08/20/2014
OTHER:	S-5!® PRODUCTS ARE PROTECTED BY MULTIPLE U.S. PATENTS INCLUDING 5,228,248, 5,983,588 AND 6,164,033 (OTHERS ISSUED AND PENDING). EUROPEAN PATENTS ARE ALSO APPLIED FOR AND PENDING UNDER THE PATENT COOPERATION TREATY WITH DIVISIONAL FILING RIGHTS RETAINED. METAL ROOF INNOVATIONS, LTD. (LICENSOR OF S-5!® TECHNOLOGY) AGGRESSIVELY PROSECUTES PATENT INFRINGEMENT.					