

# Edge Fall Protection Systems Instruction Manual



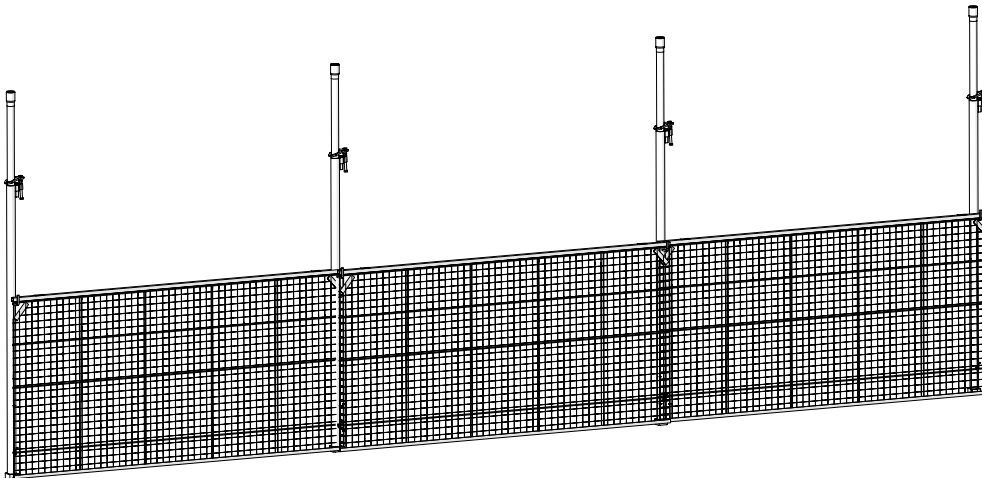
**Keep these instructions for future reference. Read and understand these instructions before using this product.**

Use these instructions as part of a training program as required by OSHA and any applicable state agency. The user must understand how to safely use the Edge Fall Protection Systems and all safety equipment used within it.

A competent person who is highly trained and experienced, assigned by the employer, must be responsible for all elements of a fall safety program, including the regulation, management, and application as it relates to the use of the Edge Fall Protection Systems and related components.

EFPS is Fully Compliant with:

- USA standards: OSHA 1926.502(b) Fall Protection – Guardrail Systems; ANSI/ASSE A10.18-2007
- Safety Requirements for Temporary Roof and Floor Holes, Wall Openings, Stairways and Other Unprotected Edges in Construction and Demolition Operations WISH A/WAC 239-155-24601 Fall Protection Requirements for Construction
- European standards: BS EN 13374:2004 Temporary edge protection systems (class A)
- Canadian standards: Occupational Health and Safety Act of Ontario; Section 26.3



Online Manual

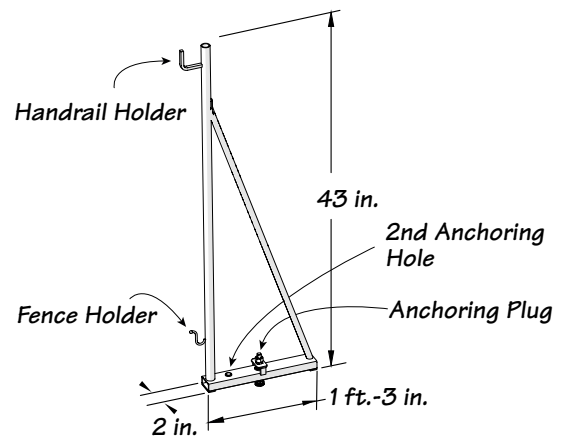
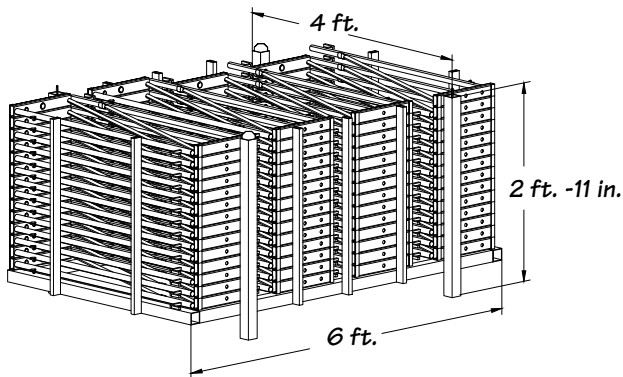
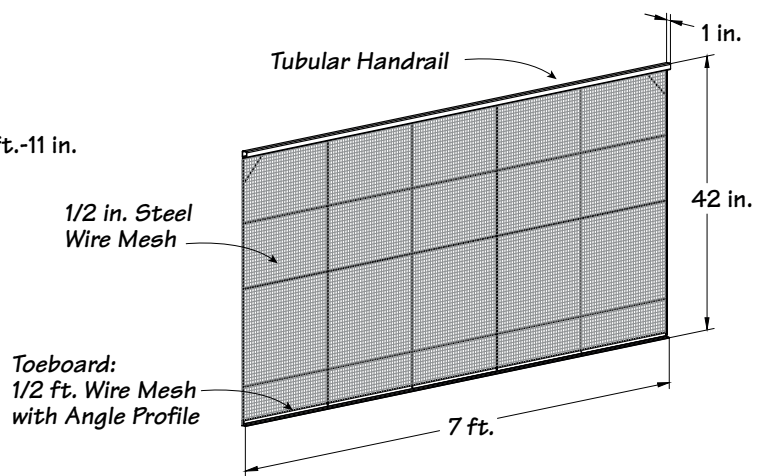
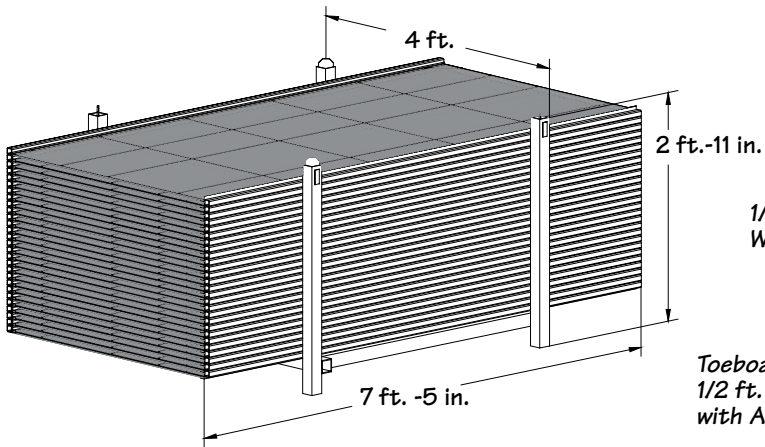
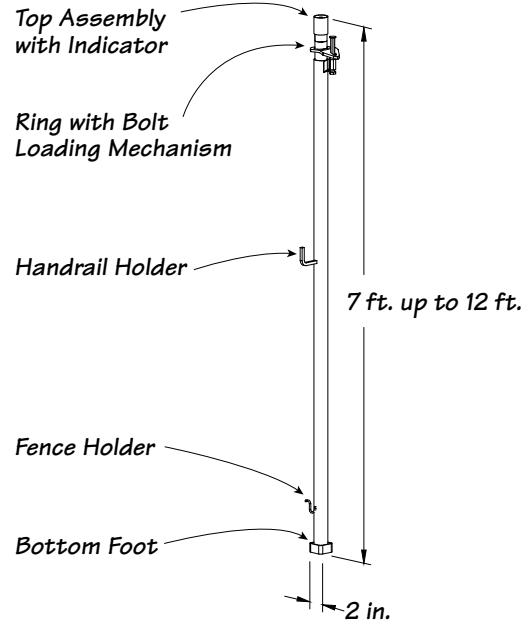
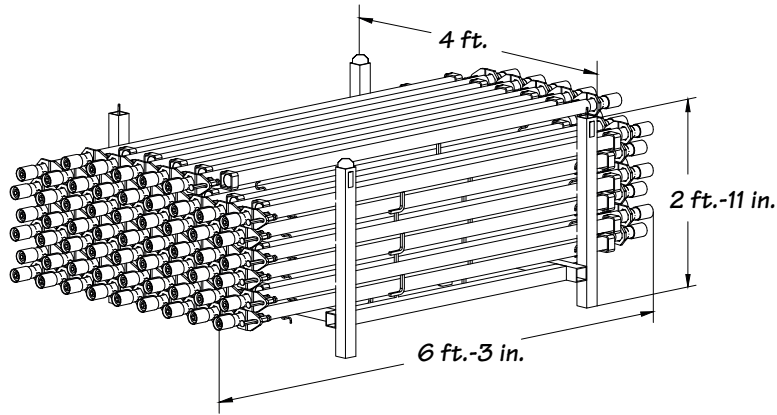
**WARNING:** This product can expose you to chemicals including Nickel, which is known to the State of California to cause cancer. For more information go to: [www.P65Warnings.ca.gov](http://www.P65Warnings.ca.gov)

Instruction Sheet #08356  
E1798, Rev. 12/17/20

**TIE DOWN**  
MANUFACTURING INGENUITY

404-344-0000 • [www.tiedown.com](http://www.tiedown.com)  
605 Stonehill Drive SW, Atlanta, GA 30336  
[sales@tiedown.com](mailto:sales@tiedown.com)

# Edge Fall Protections Systems



# Edge Fall Protections Systems

## Fence with Post - Single Height Installation

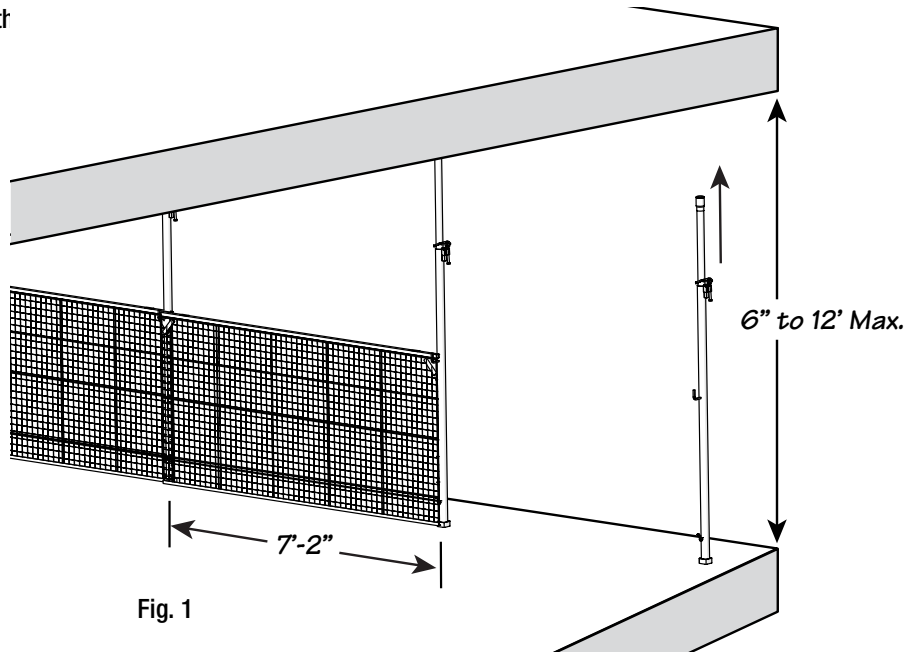
### Tools Required:

20v - Mid range cordless impact wrench with  
for 200 to 700 ft-lbs.

### Positioning and Height Adjustment

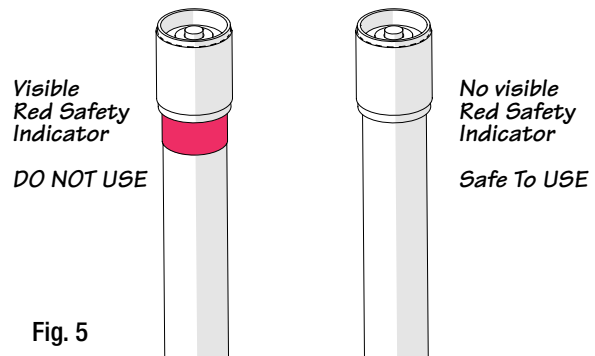
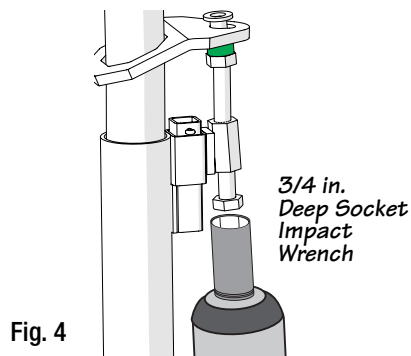
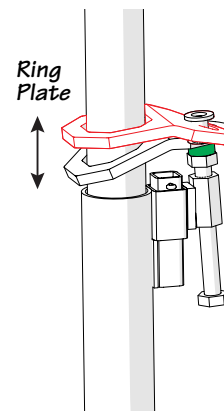
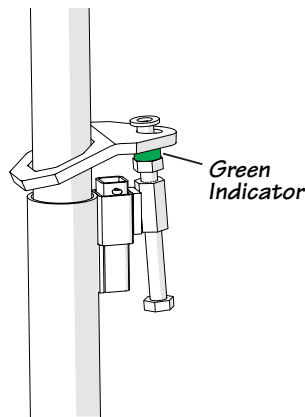
1. Place post in desired location.  
Start installation from left to right.  
Fig. 1.
2. Before Post installation, check for  
the green indicator near the nut and  
that the screw is fully unwound.  
Fig. 2.
3. Check that the Ring Plate is free  
to move. Fig. 3.

NOTE: For right handed person it is  
suggested to place left foot on the  
base of the Post, left hand at chest  
height and right hand on inner tube.



### Securing the Post

1. Extend inner tube approximately 6"  
from the ceiling.
2. Check that the Post is perpendicular  
within 1.5°.
3. With quick motion force, push the inner  
tube up to the ceiling.
4. Use Impact Gun to tighten to full length  
of the thread. Fully load post to ceiling or  
maximum of thread. Fig 4.
5. Check that red safety indicator on the  
top of inner tube is not visible. Fig 5.

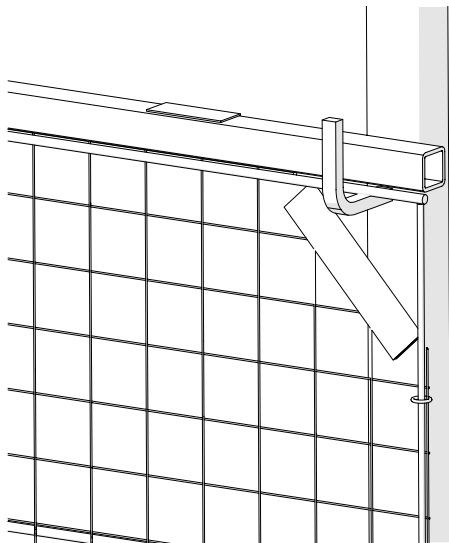
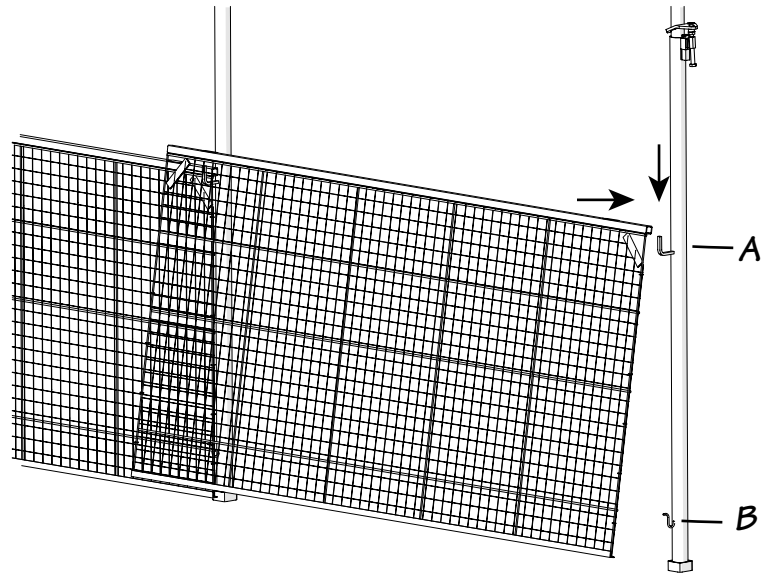


# Edge Fall Protections Systems

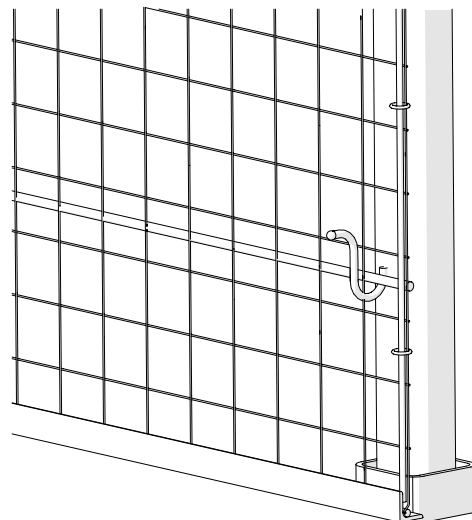
## Fence with Post - Single Height Installation

### Attaching Fence

1. Hang Fence on Handrail Holders (A) and simultaneously with Fence Holder (B) under horizontal wire.
2. Push down on the top rail into A and Mesh into B.



"A" Attachment Point



"B" Attachment Point

# Edge Fall Protections Systems

## Fence with Post - Corner Installation

### Tools Required:

Zip-Ties required for corner post.

### Corner Bracket

1. The Corner Fence Bracket simply slides over the top handrail holder. Fig 1.
2. Place the Corner Fence Bracket over the handrail holder after the fence has been positioned. The handrail holder must be on the inside of the fence rails. Fig 2.
3. Place the corner fence in the Corner Fence Bracket handrail holder flush against the opposite corner fence. Fig 3.
4. Secure the bottom corner fences with a Zip Tie. Secure the Zip Tie around the fence and post. Fig 4.

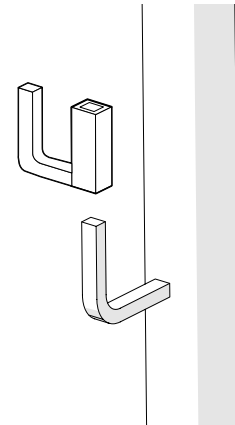


Fig. 1

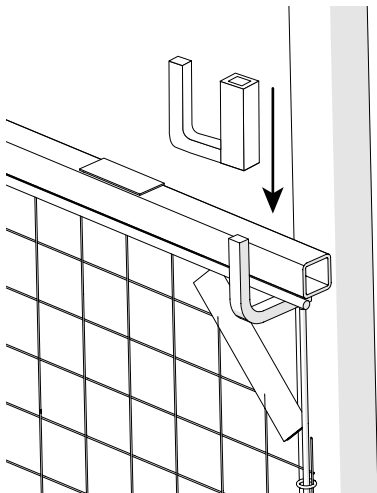


Fig. 2

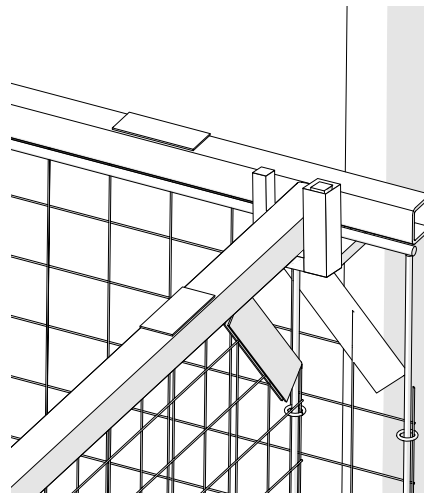


Fig. 3

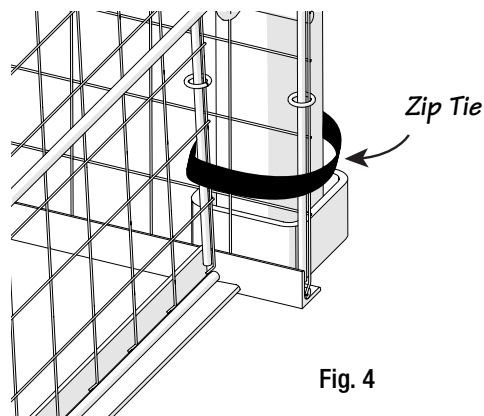


Fig. 4

# Edge Fall Protections Systems

## Fence with Post - Double Height Installation

### Second Row

1. For double height, an Upper Hook should be installed before the lower fence installation. To fit Upper Hook, dismantle post by removing the Inner Tube. Slide Upper Hook onto the Inner Tube and fit tube back into Post. Then raise the Post to ceiling (see earlier direction on page 2). See Fig. 1
2. Adjust and secure Upper Hook to the correct height to fit double height fence. Approximately 3 ft 5 in. from Fence Holder to Upper Hook.
3. The Upper Hook must be installed with the Upper Hook facing inward.
4. Continue hooking fences to the second row and nest on top rail of the lower fence.
5. Add one Zip-Tie per double height fence and secure to lower fence.

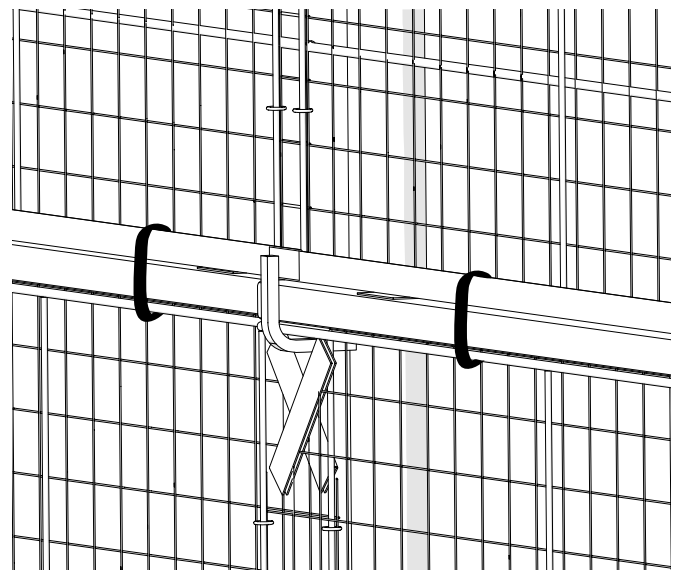
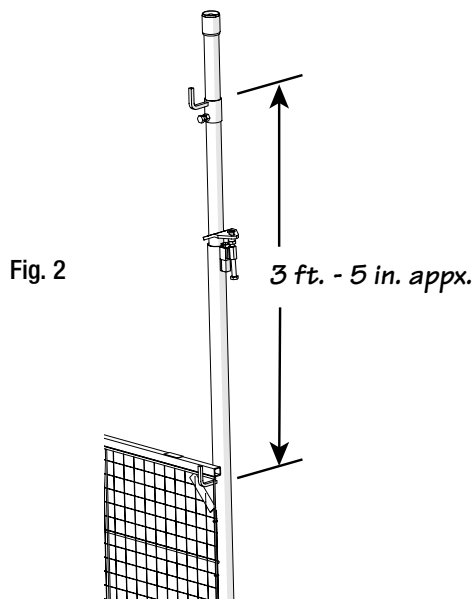
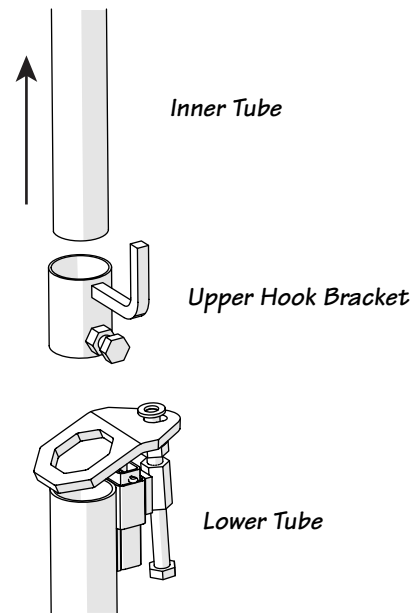


Fig. 3 - Zip Tied top to bottom fences

# Edge Fall Protections Systems

## Fence with Post - 24 in. Extension

### Adding 24 in. Extension Tube

1. The 24 in. Extension Tube slides over the Post Inner Tube.  
Fig. 1
2. The extension tube will rest on top of the Post Inner Tube Safety Indicator. You should see the Red Safety Indicator through the view port on the extension tube. Hand tighten the extension tube screw just right of the view port. Fig 2.
3. Proceed with "Securing The Post" Instructions from Page 3. The Post is safely installed when no red can be seen in indicator view port.

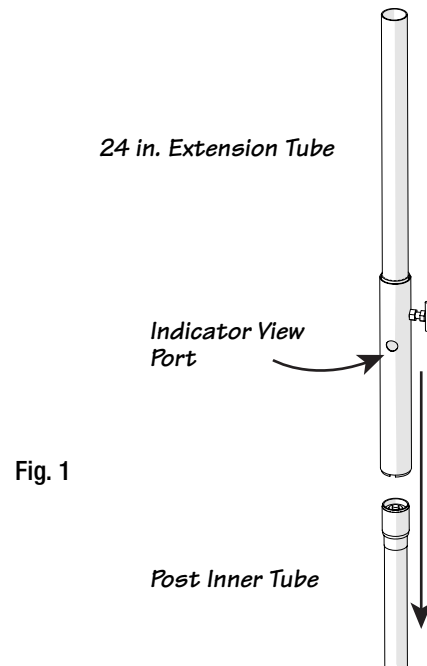


Fig. 1

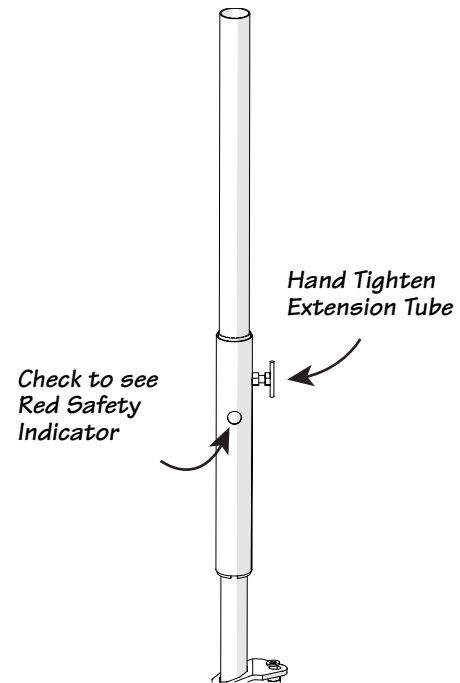


Fig. 2

# Edge Fall Protections Systems

## Fence with Post - Support Stiffener Installation

### Additional Support: Stiffener Post

1. Remove the Post Inner Tube Assembly.
2. Slide the Inner Tube through the top of the Stiffener Post.  
Fig. 2.

#### \* NOTE:

If your installation calls for 84 in. height (double height installation on page 6), the Upper Hook Bracket must be installed on the Post Inner Tube before it is inserted into the Stiffener Post.

3. Reinsert the Post Inner Tube with the Post Outer Tube.
4. Slide the bottom of the Stiffener Post over the Post Outer Tube.
5. Using a wrench, tighten the nut and bolt at the bottom to the Support Brace about 1 ft. below the handrail holder.  
Fig. 3

Fig. 1

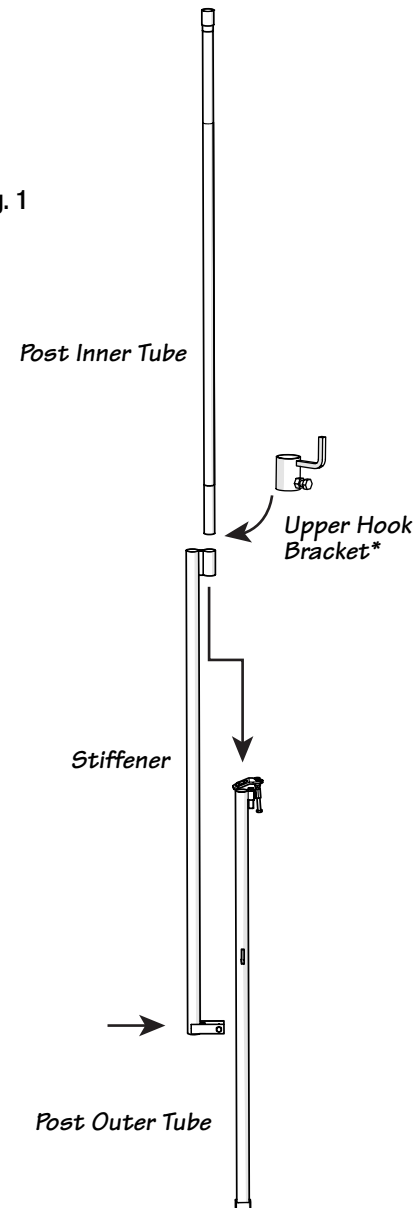


Fig. 2

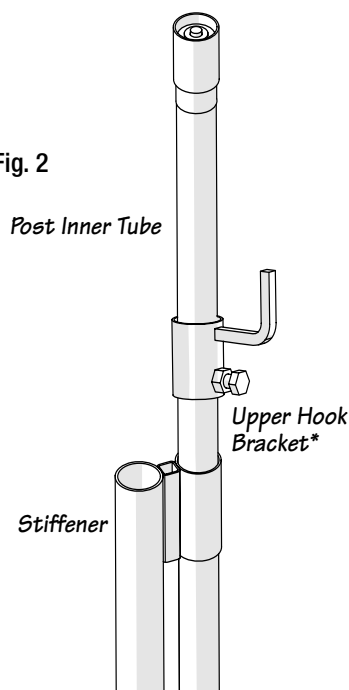
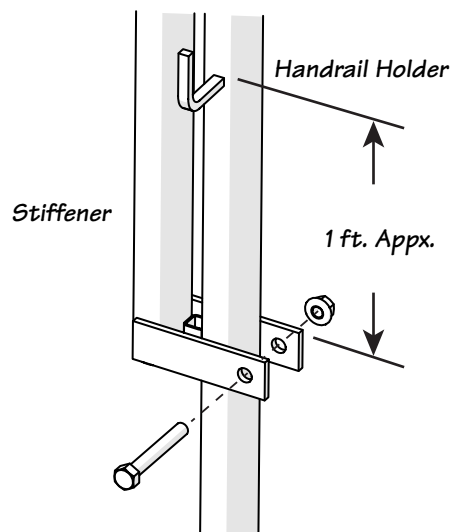


Fig. 3





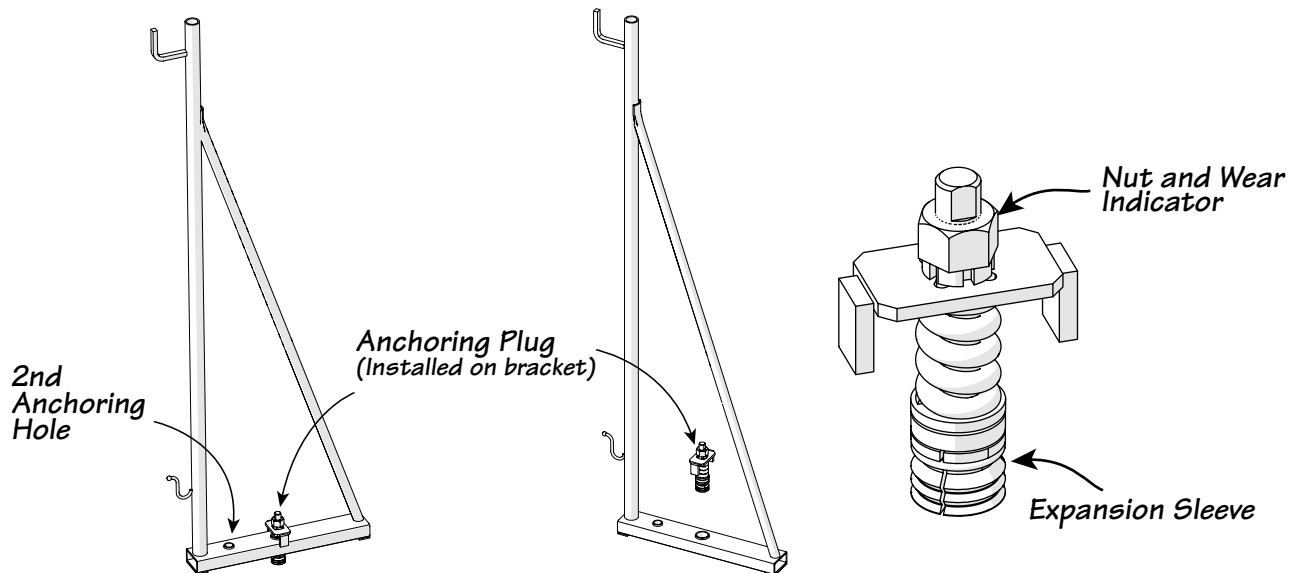
# Edge Fall Protections Systems

## Floor Bracket Anchoring Capacities and Requirements

The following chart provides different options to meet the following standards: OSHA & ANSI or OSHA Regulations of Ontario, as to the building concrete compressive strength and wind loads of 110 MPH at 42 in. fence height.

Concrete strengths	ANSI & OSHA Regulations of USA	OSHA Regulations of Ontario Canada
min. 2000 PSI	CS3.5	KB3.5
min. 4000 PSI	PP or P+	CS3.5
min. 5000 PSI	PP or P+	PP or P+
min. 6200 PSI	P	PP or P+
min. 8000 PSI	P	PP or P+
min. 9400 PSI	P	P

Abbreviations Symbol	Quantity	Name	Embedment
P	1x	Plug 100	1 in.
PP	2x	Plug 100	1 in.
P+	1x	Plug 125	1 1/4 in.
P+P+	2x	Plug 125	1 1/4"
CS3.5	1x	Concrete Screw 1/2" dia.	3-1/2 in. (5 in. length)
KB3.5	1x	Kwik Bolt 1/2" dia.	3-1/2 in. (5 in. length)



# Edge Fall Protections Systems

## Fence with Floor Bracket (for not the ceiling)

### Tools Required:

20v - Mid range cordless impact wrench with torque range for 200 to 700 ft-lbs.  
Concrete drill bit.

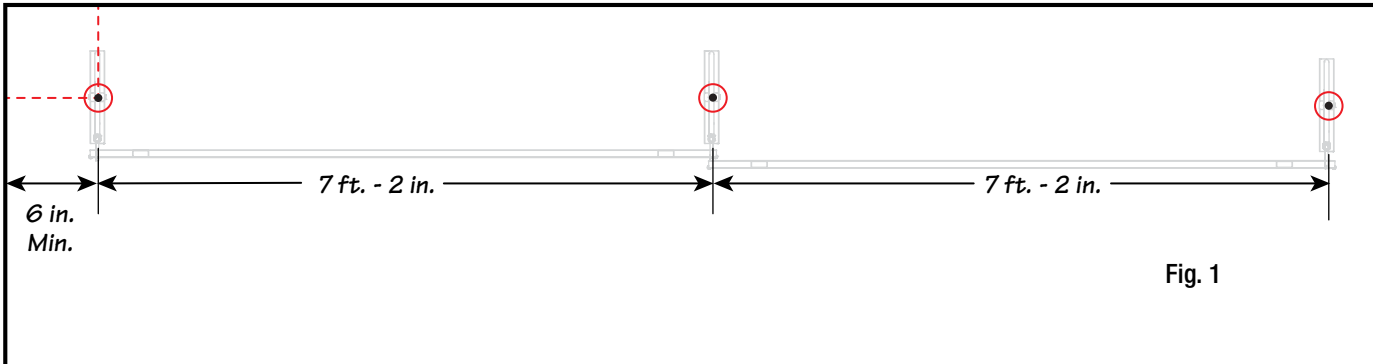


Fig. 1

## Fence with Floor Bracket - Measuring

1. Measure distance for spacing of anchors/plugs up to 7 ft. 2 in.. Mounting holes must maintain 6 in. minimum distance from the floors edge. Fig. 1
2. Drill hole for Floor Bracket anchor or plug, with concrete drill. Anchors specified on page 9. Fig 2.
3. Step on Floor Bracket close to plug to insert plug all the way in.
4. Secure Floor Bracket with Impact wrench. Concrete strength and anchor specifications on page 9.
5. Attach Fence to Handrail Holder and Fence Holder.

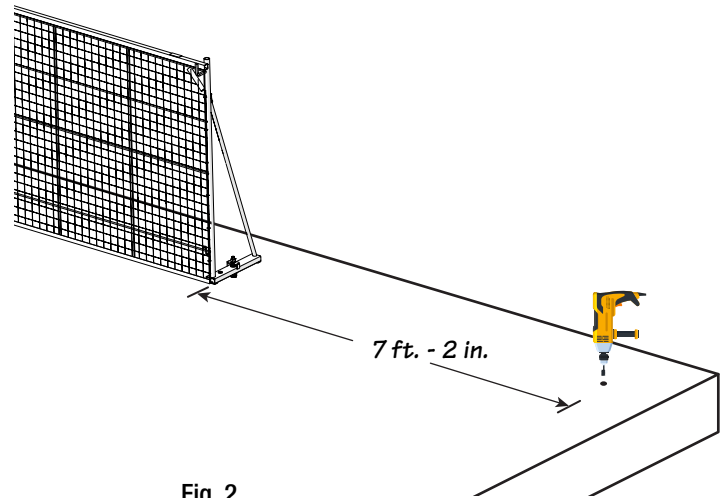


Fig. 2

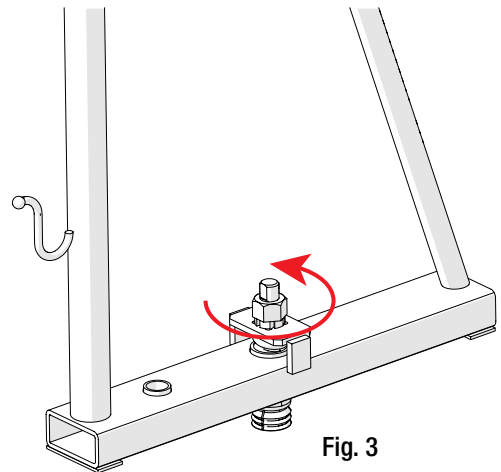
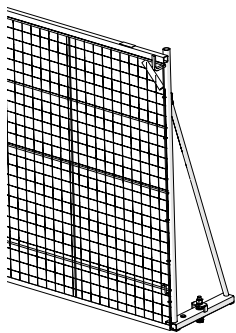
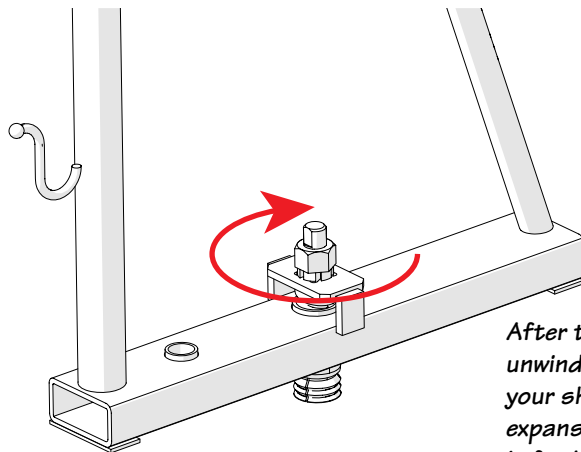
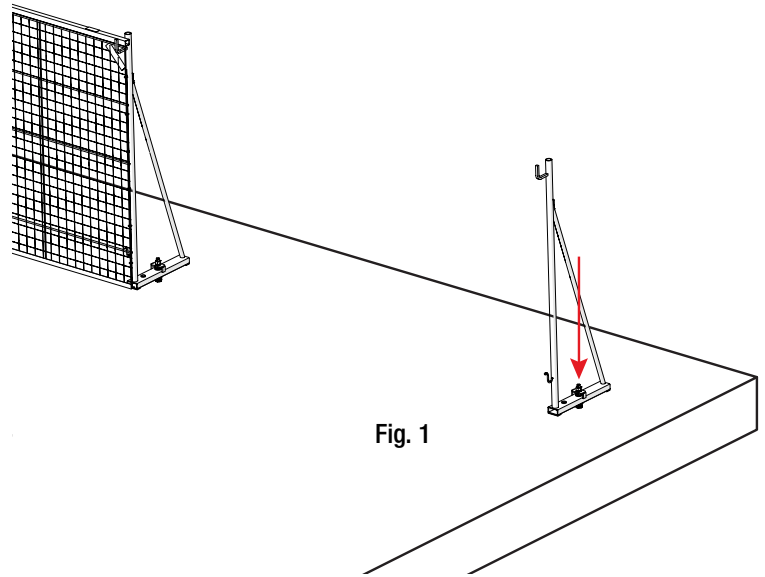


Fig. 3

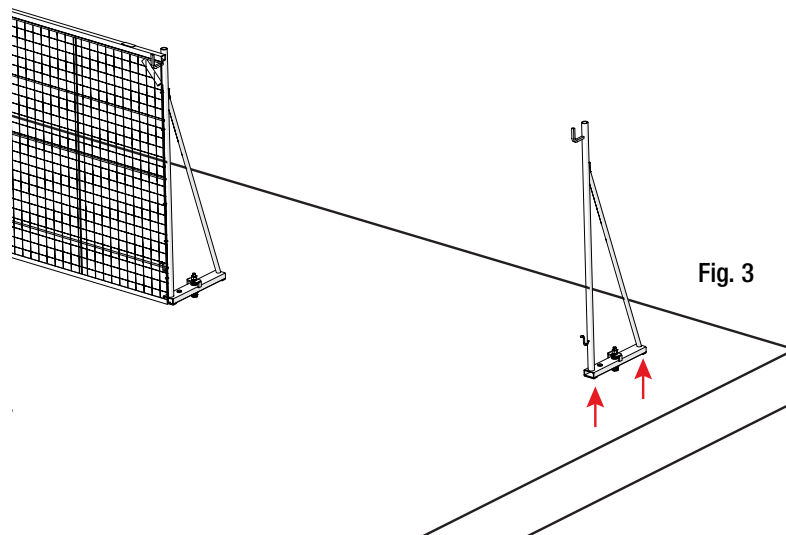
# Edge Fall Protections Systems

## Fence with Floor Bracket - Dismantle

1. Remove fence one at a time for each floor bracket. Fig. 1
2. Unwind the plug/ anchor. Fig 2.
3. Step on plug/anchor to release expansion sleeve grip.
4. Lift up Floor Bracket to remove. Fig. 3



*After the plug has been unwind, step on the plug with your shoe. This will release the expansion sleeve.  
Left the floor bracket upward.*



# Edge Fall Protections Systems

## Safety Checks and Inspection

Check if red marker is visible and undamaged.

When EFPS Post is installed correctly, the red marker should not be visible.

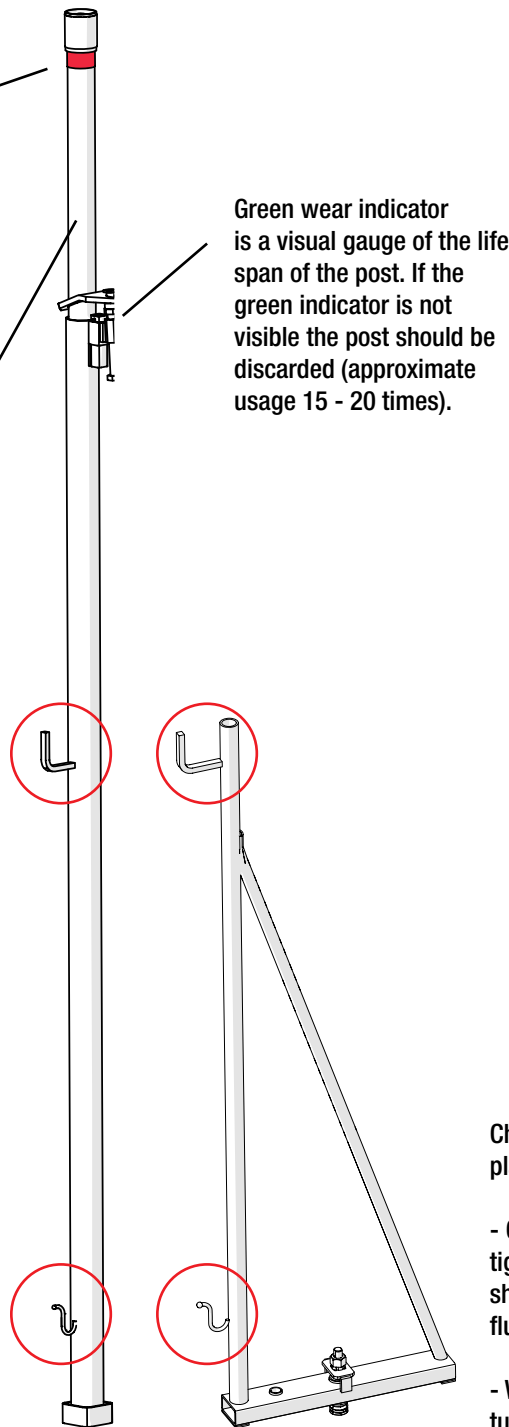
If red marker at the ring level appears, it indicates that the post has been extended beyond its height capacity.

Check that the Inner Tube slides freely.

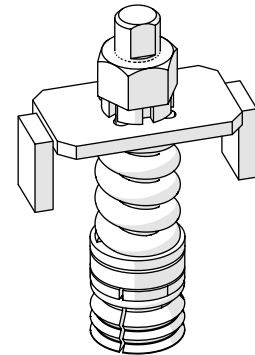
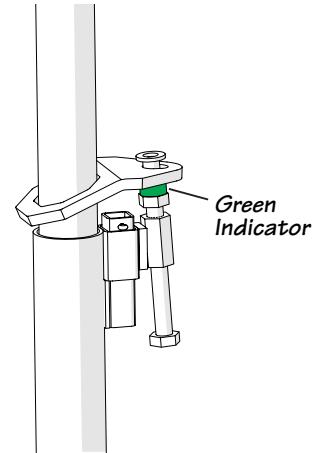
Check that top and bottom foot are not bent/damaged.

Check both hooks for deformation or broken/damaged.

Allowable Hook inclination is max. 1/2 in.



Green wear indicator is a visual gauge of the life span of the post. If the green indicator is not visible the post should be discarded (approximate usage 15 - 20 times).



Check if the Anchor Plug has all components in place. Check if Green Wear Indicator is visible.

- Check that the plug was not previously tightened too hard. The bottom of the plug should be flush before installing. If it is not flush then loosen the nut.

- When installing Floor Bracket and plug is turning, apply force to the front of the bracket (by kicking it) and continue tightening or tap the nut.