



# Hip & Ridge 12™



## FIBERGLASS-REINFORCED ASPHALT ACCESSORY SHINGLES

Although it was common practice in the old days, why would roofing contractors waste time cutting up roof shingles to protect those vulnerable hip and ridge areas? IKO has a better-looking, much easier alternative with Hip & Ridge 12 cap shingles. They are perforated and tapered to give you three capping pieces from each shingle. Hip & Ridge 12 cap shingles are algae-resistant and feature IKO's proprietary FastLock® modified adhesive sealant for maximum wind protection.

Click [here](#) or scan this QR code for product literature, color swatches and color availability.



Hip & Ridge 12 is a hip and ridge accessory asphalt shingle, manufactured with a robust fiberglass reinforcement.

### FEATURES AND BENEFITS

- ✓ GENEROUS LINEAR COVERAGE
- ✓ CLASS 3 IMPACT RESISTANCE<sup>1</sup>
- ✓ BLUE-GREEN ALGAE RESISTANT
- ✓ PROPRIETARY FASTLOCK SEALANT
- ✓ PERFORATED FOR EASY SEPARATION
- ✓ TAPERED CUT

### GENERAL INFORMATION

SHINGLES/BUNDLE	26, yielding 78 pieces
COVERAGE/BUNDLE	36.5 linear ft. (11.1 linear m)
BUNDLES/PALLET	56
PALLET SIZE	49 x 40 in. (122 x 91 cm)
PRODUCT STOCK NO. (U.S.)	4991XXX
PRODUCT STOCK NO. (CANADA)	4993XXX

**NOTE:** XXX refers to numerical product color code. Product color availability varies by region.

### PRODUCT DIMENSIONS

LENGTH	36 in. (914 mm) = 3 x 12 in. pieces
WIDTH	13 1/4 in. (337 mm)
EXPOSURE	5 5/8 in. (143 mm)

Product dimensions shown are subject to normal manufacturing tolerances of +/- 1/4 in. (6 mm) on the shingle's length and +/- 1/8 in. (3 mm) width.

# IKO<sup>®</sup> Hip & Ridge 12<sup>™</sup>

## APPLICABLE STANDARDS<sup>2</sup>

ASTM D3462 Product Standard

ASTM D3018 Product Standard

ASTM D3161 Class F Wind Test

ASTM D7158 Class H Wind Test

ASTM E108 Class A Fire Test<sup>3</sup>

UL 790 Class A Fire Test<sup>3</sup>

CAN/ULC S107 Class A Fire Test (Canada)<sup>3</sup>

FM 4473 Class 3 Impact Resistance<sup>1</sup>

CSA A123.5 Product Standard (Canada)

Miami-Dade Product Approval<sup>4</sup> [here](#)

Florida Building Code High-Velocity Hurricane Zone (HVHZ) Approval<sup>4</sup> [here](#)

Texas Department of Insurance Details [here](#)

**NOTE:** IKO Hip & Ridge 12 asphalt shingles meet or exceed the requirements in the product standards referenced at the time of manufacture, including minimum total product weight, minimum tear-strength resistance, maximum granule loss and minimum asphalt mass.

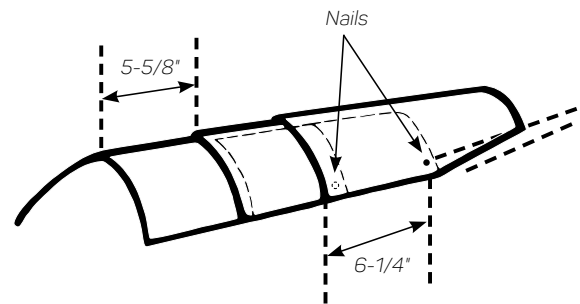
## SAFETY INFORMATION

**CAUTION:** Working at heights on sloped-roof surfaces can be dangerous. Do not install until all appropriate safety precautions are followed. Always wear appropriate personal protective equipment (PPE), including appropriate fall protection equipment.

This product's Safety Data Sheet (SDS) is available [here](#).



## SHINGLE INSTALLATION



Shingles must be installed according to all of IKO's application instructions. Some select installation requirements are highlighted here:

1. The space beneath the roof deck (e.g., attic) should be thoroughly ventilated to minimum local building code requirements.
2. Shingles should be installed with 5 5/8-inch shingle exposure to the weather.
3. Prior to application in cold weather, storing the shingles in a heated area will allow for easier bending.
4. Cover the exposed nail heads of the final ridge cap shingle with roofing cement.

Complete product installation details can be found [here](#).



The information on this Technical Data Sheet is based upon data considered to be true and accurate at time of issue, based on laboratory tests and production measurements, and is offered solely for the user's consideration, investigation and verification. Nothing contained herein is representative of a warranty or guarantee for which the manufacturer can be held legally responsible. The manufacturer does not assume any responsibility for any misrepresentation or assumptions the reader may formulate. To confirm the most current product technical information and compliances, please contact IKO directly at: **United States 1-888-IKO-ROOF** (1-888-456-7663); **Canada 1-855-IKO-ROOF** (1-855-456-7663).

<sup>1</sup>Hip & Ridge 12 capping shingles have a Class 3 Impact Resistance rating tested against FM 4473, which IKO is pleased to present for the sole purpose of enabling homeowners using these shingles in conjunction with Class 3 Impact Resistance-rated shingles to obtain a discount on their home insurance premiums, if available in their area. This rating is not to be construed as any type of express or implied warranty or guarantee of the impact performance of this shingle by the manufacturer, supplier or installer. For further details concerning the FM 4473 standards, visit the FM Approvals website. <sup>2</sup>Compliance with listed product standards is based on sampling and testing of products as manufactured. <sup>3</sup>When installed over an approved underlayment, in conjunction with an approved IKO shingle. <sup>4</sup>M-D and FBC HVHZ approvals apply only to shingles available in the southeast U.S. market. For more information, please contact IKO at: **1-888-IKO-ROOF** (1-888-456-7663).