



DX11TA COMMERCIAL

7 1/2 & 10-TON, THREE-PHASE
SPLIT SYSTEM AIR CONDITIONER
11.2 EER/13 - 13.5 IEER /R-410A



■ Contents

Nomenclature.....	2
Specifications.....	3
Expanded Cooling Data.....	4
AHRI Ratings	20
Dimensions	21
Wiring Diagrams.....	22
Accessories	23

■ Standard Features

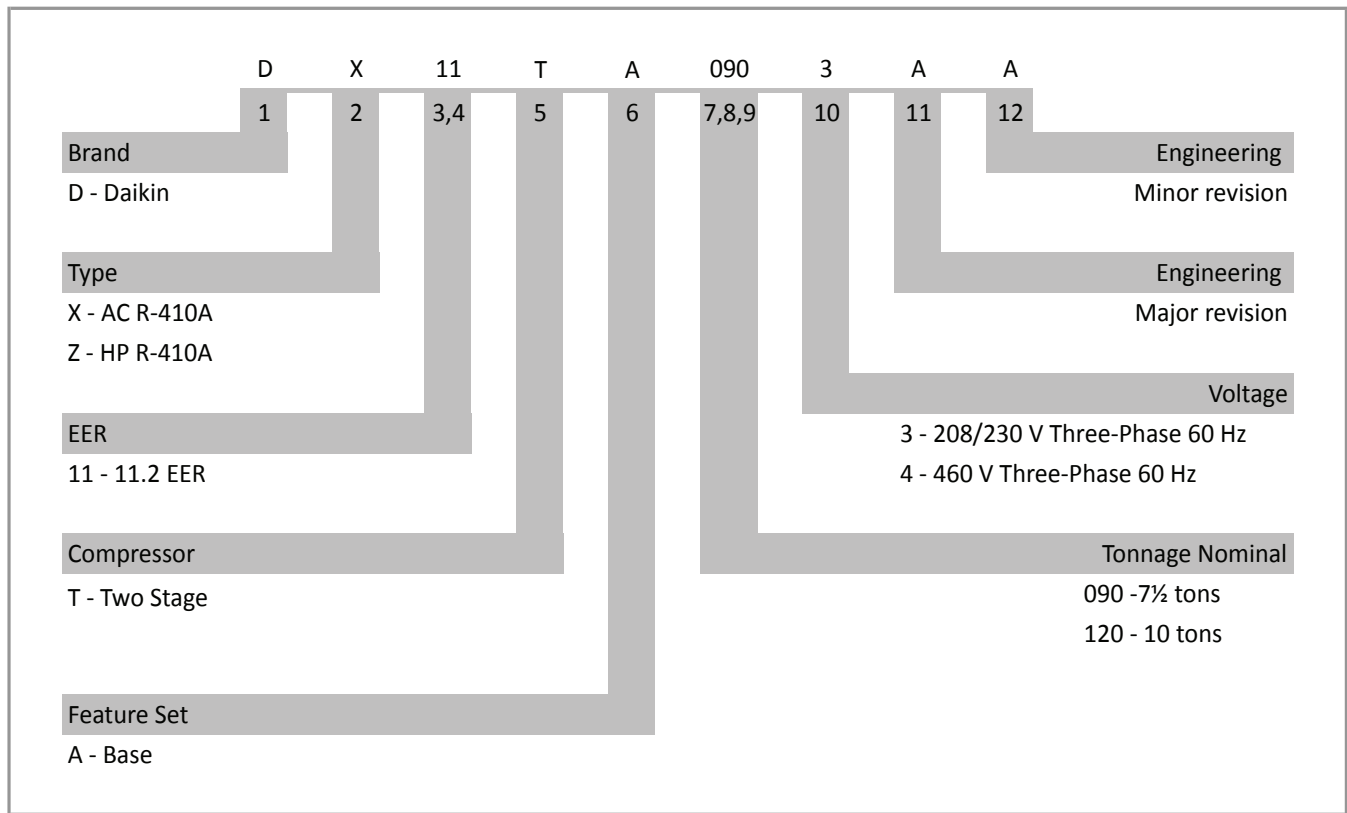
- Two-stage energy efficient compressor
- Quiet operating top discharge
- High-efficiency copper tube / aluminum fin coil
- Brass liquid and suction service valves
- High- and low-pressure switches
- Factory-installed filter drier
- Complies with ASHRAE 90.1-2016
- AHRI Certified; ETL Listed

■ Cabinet Features

- Innovative sound control top design
- Steel louver coil guard protects the coil from damage and adds strength to unit
- Bottom pan rails elevate unit above slab
- Heavy-gauge galvanized-steel cabinet
- Attractive Nickel Gray powder-paint finish
- When properly anchored, meets the 2010 Florida Building Code unit integrity requirements for hurricane-type winds (Anchor bracket kits available.)



* Complete warranty details available from your local dealer or at www.daikincomfort.com or www.daikinac.com



	DX11TA 0903A*	DX11TA 0904A*	DX11TA 1203A*	DX11TA 1204A*
COOLING CAPACITIES				
Nominal Cooling (BTU/h) ¹	93,000	93,000	120,000	120,000
EER / IEER	11.2 / 13	11.2 / 13	11.2 / 13.5	11.2 / 13.5
Decibels	84	84	84	84
COMPRESSOR				
RLA	26.9	12.0	32.6	14.8
LRA	164	94	240	130
CONDENSER FAN MOTOR				
Horsepower	1	1	1	1
FLA	5.60	3.50	5.60	3.50
REFRIGERATION SYSTEM				
Liquid Valve Connection Size ("O.D.)	5/8"	5/8"	5/8"	5/8"
Suction Valve Connection Size ("O.D.)	1 3/8"	1 3/8"	1 3/8"	1 3/8"
Valve Type	Sweat	Sweat	Sweat	Sweat
Refrigerant Charge (oz.) ²	55	55	55	55
ELECTRICAL DATA				
AC Volts	208/230	460	208/230	460
Hz / Phase	60 Hz/3	60 Hz/3	60 Hz/3	60 Hz/3
Minimum Circuit Ampacity ³	39.2	18.5	46.4	22.0
Max. Overcurrent Protection ⁴	60	30	70	35
Min / Max Volts	197/253	414/506	197/253	414/506
Electrical Conduit Size	1/2" or 3/4"	1/2" or 3/4"	1/2" or 3/4"	1/2" or 3/4"
SHIP WEIGHT (LBS)	325	325	345	340

¹ Tested and rated in accordance with ARI Standard 208/230

² Factory Holding Charge. Follow Installation Instructions for system charge

³ Wire size should be determined in accordance with National Electrical Codes; extensive wire runs will require larger wire sizes

⁴ Must use time-delay fuses or HACR-type circuit breakers of the same size as noted.

NOTES

- Always check the rating plate for electrical data on the unit being installed.
- Installer will need to supply 5/8" to 1 3/8" adapters for suction line connections.

EXPANDED COOLING DATA — DX11TA0903A*/DAT0903A*

IDB	AIRFLOW	OUTDOOR AMBIENT TEMPERATURE												ENTERING INDOOR WET BULB TEMPERATURE											
		65°F				75°F				85°F				95°F				105°F				115°F			
		59	63	67	71	59	63	67	71	59	63	67	71	59	63	67	71	59	63	67	71	59	63	67	71
70	MBh	81.7	84.6	92.7	-	79.8	82.7	90.6	-	77.9	80.7	88.4	-	76.0	78.7	86.3	-	72.2	74.8	82.0	-	66.9	69.3	75.9	-
	S/T	0.66	0.55	0.38	-	0.68	0.57	0.40	-	0.70	0.59	0.41	-	0.72	0.61	0.42	-	0.75	0.63	0.44	-	0.76	0.63	0.44	-
	Delta T	19	16	12	-	19	17	13	-	19	17	13	-	19	17	13	-	19	16	12	-	18	15	12	-
	2632	6.23	6.36	6.54	-	6.68	6.81	7.02	-	7.07	7.21	7.43	-	7.41	7.57	7.80	-	7.71	7.87	8.11	-	7.96	8.13	8.38	-
	AMPS	17.4	17.8	18.3	-	18.7	19.1	19.6	-	20.1	20.5	21.1	-	21.3	21.8	22.4	-	22.5	23.0	23.7	-	23.7	24.3	25.0	-
	HI PR	215	231	244	-	241	259	274	-	274	295	311	-	312	336	355	-	351	378	399	-	388	417	441	-
	LO PR	101	107	117	-	107	114	124	-	111	118	129	-	117	124	135	-	122	130	142	-	126	134	147	-
	MBh	88.5	91.7	100.5	-	86.4	89.6	98.1	-	84.4	87.4	95.8	-	82.3	85.3	93.5	-	78.2	81.0	88.8	-	72.4	75.1	82.2	-
	S/T	0.69	0.57	0.40	-	0.71	0.59	0.41	-	0.73	0.61	0.42	-	0.75	0.63	0.43	-	0.78	0.65	0.45	-	0.79	0.66	0.46	-
	Delta T	19	16	12	-	19	16	12	-	19	16	12	-	19	16	12	-	19	16	12	-	17	15	11	-
3000	6.38	6.50	6.69	-	6.83	6.97	7.18	-	7.24	7.38	7.61	-	7.59	7.75	7.99	-	7.89	8.06	8.31	-	8.16	8.33	8.59	-	
AMPS	17.9	18.2	18.8	-	19.1	19.5	20.1	-	20.6	21.0	21.7	-	21.9	22.3	23.0	-	23.1	23.6	24.4	-	24.4	24.9	25.7	-	
HI PR	221	238	251	-	248	267	282	-	282	304	321	-	322	346	365	-	362	389	411	-	400	430	454	-	
LO PR	104	111	121	-	110	117	128	-	114	122	133	-	120	128	140	-	126	134	146	-	130	139	151	-	
MBh	91.1	94.5	103.5	-	89.0	92.3	101.1	-	86.9	90.1	98.7	-	84.8	87.9	96.3	-	80.5	83.5	91.5	-	74.6	77.3	84.7	-	
S/T	0.72	0.60	0.42	-	0.74	0.62	0.43	-	0.76	0.64	0.44	-	0.79	0.66	0.46	-	0.82	0.68	0.47	-	0.83	0.69	0.48	-	
Delta T	18	15	12	-	18	16	12	-	18	16	12	-	18	16	12	-	18	16	12	-	17	15	11	-	
3367	6.42	6.55	6.74	-	6.88	7.02	7.24	-	7.29	7.44	7.67	-	7.65	7.81	8.05	-	7.96	8.12	8.38	-	8.22	8.40	8.66	-	
AMPS	18.0	18.4	18.9	-	19.3	19.7	20.3	-	20.8	21.2	21.8	-	22.0	22.5	23.2	-	23.3	23.8	24.6	-	24.6	25.1	25.9	-	
HI PR	223	241	254	-	251	270	285	-	285	307	324	-	325	350	369	-	365	393	415	-	404	435	459	-	
LO PR	105	112	122	-	111	118	129	-	115	123	134	-	121	129	141	-	127	135	148	-	132	140	153	-	
75	MBh	83.0	85.5	92.6	99.3	81.1	83.5	90.4	97.0	79.2	81.5	88.2	94.7	77.3	79.5	86.1	92.4	73.4	75.6	81.8	87.8	68.0	70.0	75.8	81.3
	S/T	0.75	0.67	0.51	0.33	0.78	0.70	0.53	0.34	0.80	0.71	0.54	0.35	0.82	0.74	0.56	0.36	0.85	0.76	0.58	0.37	0.86	0.77	0.58	0.38
	Delta T	22	20	16	11	22	20	17	11	22	20	17	11	22	20	17	11	22	20	17	11	20	19	15	11
	2632	6.28	6.40	6.59	6.79	6.73	6.86	7.07	7.29	7.12	7.27	7.49	7.72	7.47	7.63	7.86	8.11	7.77	7.93	8.18	8.44	8.02	8.19	8.45	8.72
	AMPS	17.6	17.9	18.5	19.1	18.8	19.2	19.8	20.4	20.3	20.7	21.3	22.0	21.5	22.0	22.6	23.4	22.7	23.2	23.9	24.8	24.0	24.5	25.2	26.1
	HI PR	217	233	246	257	243	262	276	288	277	298	314	328	315	339	358	374	355	382	403	420	392	422	445	464
	LO PR	102	109	119	126	108	115	125	133	112	119	130	139	118	125	137	146	123	131	143	153	128	136	148	158
	MBh	90.0	92.6	100.3	107.6	87.9	90.5	97.9	105.1	85.8	88.3	95.6	102.6	83.7	86.2	93.3	100.1	79.5	81.9	88.6	95.1	73.7	75.8	82.1	88.1
	S/T	0.78	0.70	0.53	0.34	0.81	0.72	0.55	0.35	0.83	0.74	0.56	0.36	0.85	0.76	0.58	0.37	0.89	0.79	0.60	0.39	0.89	0.80	0.61	0.39
	Delta T	21	20	16	11	22	20	16	11	22	20	16	11	22	20	17	11	22	20	16	11	20	19	15	11
3000	6.42	6.55	6.74	6.95	6.89	7.03	7.24	7.46	7.29	7.44	7.67	7.91	7.65	7.81	8.06	8.31	7.96	8.13	8.38	8.65	8.22	8.40	8.66	8.94	
AMPS	18.0	18.4	18.9	19.5	19.3	19.7	20.3	20.9	20.8	21.2	21.8	22.6	22.0	22.5	23.2	24.0	23.3	23.8	24.6	25.4	24.6	25.1	25.9	26.8	
HI PR	224	241	254	265	251	270	285	297	285	307	324	338	325	350	369	385	366	393	415	433	404	435	459	479	
LO PR	105	112	122	130	111	118	129	137	116	123	134	143	121	129	141	150	127	135	148	157	132	140	153	163	
MBh	92.7	95.4	103.3	110.9	90.5	93.2	100.9	108.3	88.4	91.0	98.5	105.7	86.2	88.8	96.1	103.1	81.9	84.3	91.3	98.0	75.9	78.1	84.5	90.7	
S/T	0.82	0.73	0.55	0.36	0.85	0.76	0.57	0.37	0.87	0.78	0.59	0.38	0.90	0.80	0.61	0.39	0.93	0.83	0.63	0.41	0.94	0.84	0.63	0.41	
Delta T	21	19	16	11	21	19	16	11	21	19	16	11	21	19	16	11	21	19	16	11	19	18	15	10	
3367	6.47	6.60	6.80	7.00	6.94	7.08	7.29	7.52	7.35	7.50	7.73	7.97	7.71	7.87	8.12	8.38	8.02	8.19	8.45	8.72	8.29	8.46	8.73	9.02	
AMPS	18.2	18.5	19.1	19.7	19.4	19.9	20.4	21.1	20.9	21.4	22.0	22.8	22.2	22.7	23.4	24.2	23.5	24.0	24.8	25.6	24.8	25.3	26.1	27.0	
HI PR	226	243	257	268	253	273	288	300	288	310	327	341	328	353	373	389	369	397	420	438	408	439	464	483	
LO PR	106	113	123	131	112	119	130	139	117	124	136	144	123	130	142	152	128	137	149	159	133	141	154	164	

IDB: Entering Indoor Dry Bulb Temperature
 High and low pressures are measured at the liquid and suction service valves.
 Shaded area reflects ACCA (TVA) conditions
 Amps = outdoor unit amps (comp.+fan)
 kW = Total system power

EXPANDED COOLING DATA — DX11TA0903A* / DAT0903A* (CONT.)

IDB		OUTDOOR AMBIENT TEMPERATURE																											
		65°F				75°F				85°F				95°F				105°F				115°F							
		59	63	67	71	59	63	67	71	59	63	67	71	59	63	67	71	59	63	67	71	59	63	67	71				
		ENTERING INDOOR WET BULB TEMPERATURE																											
	AIRFLOW	59	63	67	71	59	63	67	71	59	63	67	71	59	63	67	71	59	63	67	71	59	63	67	71	59	63	67	71
80	MBh	84.5	86.4	92.3	98.6	82.6	84.4	90.1	96.3	80.6	82.4	88.0	94.1	78.6	80.3	85.8	91.8	74.7	76.3	81.5	87.2	69.2	70.7	75.5	80.8				
	S/T	0.82	0.77	0.63	0.47	0.85	0.80	0.65	0.49	0.88	0.82	0.67	0.50	0.90	0.85	0.69	0.52	0.94	0.88	0.72	0.54	0.95	0.89	0.72	0.54				
	Delta T	24	23	20	16	25	24	21	16	25	24	21	16	25	24	21	17	24	23	20	16	23	22	19	15				
	kW	6.33	6.45	6.64	6.84	6.78	6.92	7.12	7.34	7.18	7.33	7.55	7.79	7.53	7.69	7.93	8.18	7.83	8.00	8.25	8.51	8.09	8.26	8.52	8.80				
	Amps	17.7	18.1	18.6	19.2	19.0	19.4	19.9	20.6	20.4	20.9	21.5	22.2	21.7	22.1	22.8	23.6	22.9	23.4	24.1	25.0	24.2	24.7	25.5	26.3				
	HI PR	219	236	249	260	246	264	279	291	280	301	318	331	318	343	362	377	358	385	407	424	396	426	450	469				
	LO PR	103	110	120	127	109	116	126	135	113	120	131	140	119	126	138	147	125	133	145	154	129	137	150	159				
	MBh	91.6	93.6	100.0	106.9	89.4	91.4	97.7	104.4	87.3	89.2	95.3	101.9	85.2	87.0	93.0	99.4	80.9	82.7	88.4	94.4	75.0	76.6	81.8	87.5				
	S/T	0.85	0.80	0.65	0.49	0.89	0.83	0.68	0.51	0.91	0.85	0.69	0.52	0.94	0.88	0.72	0.53	0.97	0.91	0.74	0.56	0.98	0.92	0.75	0.56				
	Delta T	24	23	20	16	24	23	20	16	24	23	20	16	24	23	20	16	24	23	20	16	23	22	19	15				
kW	6.47	6.60	6.80	7.00	6.94	7.08	7.29	7.52	7.35	7.50	7.73	7.98	7.71	7.87	8.12	8.38	8.02	8.19	8.45	8.72	8.29	8.46	8.73	9.02					
Amps	18.2	18.5	19.1	19.7	19.4	19.9	20.4	21.1	20.9	21.4	22.0	22.8	22.2	22.7	23.4	24.2	23.5	24.0	24.8	25.6	24.8	25.3	26.1	27.0					
HI PR	226	243	257	268	253	273	288	300	288	310	327	342	328	353	373	389	369	397	420	438	408	439	464	484					
LO PR	106	113	123	131	112	119	130	139	117	124	136	144	123	130	142	152	128	137	149	159	133	141	154	164					
MBh	94.3	96.4	103.0	110.1	92.1	94.1	100.6	107.5	89.9	91.9	98.2	105.0	87.7	89.7	95.8	102.4	83.4	85.2	91.0	97.3	77.2	78.9	84.3	90.1					
S/T	0.90	0.84	0.68	0.51	0.93	0.87	0.71	0.53	0.95	0.89	0.73	0.54	1.00	0.92	0.75	0.56	1.00	0.96	0.78	0.58	1.00	0.96	0.79	0.59					
Delta T	23	22	19	15	23	22	19	16	23	22	19	16	24	23	20	16	23	22	19	15	21	21	18	14					
kW	6.52	6.65	6.85	7.05	6.99	7.13	7.35	7.58	7.41	7.56	7.79	8.04	7.77	7.94	8.18	8.45	8.09	8.26	8.52	8.79	8.35	8.53	8.80	9.09					
Amps	18.3	18.7	19.2	19.9	19.6	20.0	20.6	21.3	21.1	21.6	22.2	23.0	22.4	22.9	23.6	24.4	23.7	24.2	25.0	25.9	25.0	25.6	26.3	27.3					
HI PR	228	245	259	270	256	275	291	303	291	313	331	345	331	357	377	393	373	401	424	442	412	443	468	488					
LO PR	107	114	125	133	113	121	132	140	118	125	137	146	124	132	144	153	130	138	151	160	134	143	156	166					

85	MBh	86.0	87.7	91.8	98.0	84.0	85.6	89.7	95.7	82.0	83.6	87.5	93.4	80.0	81.6	85.4	91.1	76.0	77.5	81.1	86.6	70.4	71.8	75.2	80.2
	S/T	0.86	0.83	0.75	0.61	0.90	0.86	0.78	0.63	0.92	0.89	0.80	0.65	0.95	0.91	0.83	0.67	0.98	0.95	0.86	0.69	0.99	0.96	0.86	0.70
	Delta T	26	26	24	21	26	26	24	21	26	26	24	21	26	26	25	21	26	26	24	21	24	24	23	20
	kW	6.37	6.50	6.69	6.89	6.83	6.97	7.18	7.40	7.23	7.38	7.61	7.85	7.59	7.75	7.99	8.24	7.89	8.06	8.31	8.58	8.15	8.33	8.59	8.87
	Amps	17.9	18.2	18.8	19.4	19.1	19.5	20.1	20.8	20.6	21.0	21.7	22.4	21.8	22.3	23.0	23.8	23.1	23.6	24.3	25.2	24.4	24.9	25.7	26.6
	HI PR	221	238	251	262	248	267	282	294	282	304	321	335	322	346	365	381	362	389	411	429	400	430	454	474
	LO PR	104	111	121	129	110	117	128	136	114	122	133	141	120	128	139	149	126	134	146	156	130	138	151	161
	MBh	93.2	95.0	99.5	106.1	91.0	92.8	97.2	103.7	88.8	90.6	94.8	101.2	86.7	88.4	92.5	98.7	82.3	83.9	87.9	93.8	76.3	77.8	81.4	86.9
	S/T	0.90	0.86	0.78	0.63	0.93	0.90	0.81	0.66	0.95	0.92	0.83	0.67	0.98	0.95	0.86	0.69	1.00	0.98	0.89	0.72	1.00	0.99	0.90	0.73
	Delta T	26	25	24	21	26	25	24	21	26	25	24	21	26	26	24	21	25	25	24	21	23	24	22	19
kW	6.52	6.65	6.85	7.05	6.99	7.13	7.35	7.58	7.41	7.56	7.79	8.04	7.77	7.94	8.18	8.45	8.09	8.26	8.52	8.79	8.35	8.53	8.80	9.09	
Amps	18.3	18.7	19.2	19.9	19.6	20.0	20.6	21.3	21.1	21.6	22.2	23.0	22.4	22.9	23.6	24.4	23.7	24.2	25.0	25.9	25.0	25.6	26.3	27.3	
HI PR	228	245	259	270	256	275	291	303	291	313	331	345	331	357	377	393	373	401	424	442	412	443	468	488	
LO PR	107	114	125	133	113	121	132	140	118	125	137	146	124	132	144	153	130	138	151	160	134	143	156	166	
MBh	96.0	97.8	102.5	109.3	93.7	95.6	100.1	106.8	91.5	93.3	97.7	104.2	89.3	91.0	95.3	101.7	84.8	86.5	90.5	96.6	78.6	80.1	83.9	89.5	
S/T	0.94	0.91	0.82	0.66	0.97	0.94	0.85	0.69	1.00	0.96	0.87	0.71	1.00	0.99	0.90	0.73	1.00	1.00	0.93	0.76	1.00	1.00	0.94	0.76	
Delta T	25	24	23	20	25	25	23	20	25	25	23	20	24	25	23	20	23	24	23	20	21	22	22	19	
kW	6.57	6.70	6.90	7.11	7.04	7.19	7.41	7.64	7.46	7.62	7.85	8.10	7.83	8.00	8.25	8.51	8.15	8.32	8.59	8.86	8.42	8.60	8.88	9.16	
Amps	18.4	18.8	19.4	20.0	19.8	20.2	20.8	21.5	21.3	21.7	22.4	23.2	22.6	23.1	23.8	24.6	23.9	24.4	25.2	26.1	25.2	25.8	26.6	27.5	
HI PR	230	248	262	273	258	278	294	306	294	316	334	348	335	360	380	397	377	405	428	446	416	448	473	493	
LO PR	108	115	126	134	115	122	133	142	119	127	138	147	125	133	145	155	131	139	152	162	136	144	157	168	

IDB: Entering Indoor Dry Bulb Temperature
 High and low pressures are measured at the liquid and suction service valves.
 Shaded area reflects AHRI conditions
 Amps = outdoor unit amps (comp.+fan)
 kW = Total system power

EXPANDED COOLING DATA — DX11TA0903A*/(2)CA*F4961*6D*+TXV

IDB	AIRFLOW	OUTDOOR AMBIENT TEMPERATURE												ENTERING INDOOR WET BULB TEMPERATURE											
		65°F				75°F				85°F				95°F				105°F				115°F			
		59	63	67	71	59	63	67	71	59	63	67	71	59	63	67	71	59	63	67	71	59	63	67	71
70	MBh	81.7	84.6	92.7	-	79.8	82.7	90.6	-	77.9	80.7	88.4	-	76.0	78.7	86.3	-	72.2	74.8	82.0	-	66.9	69.3	75.9	-
	S/T	0.65	0.54	0.37	-	0.67	0.56	0.39	-	0.69	0.57	0.40	-	0.71	0.59	0.41	-	0.74	0.61	0.43	-	0.74	0.62	0.43	-
	Delta T	18	16	12	-	19	16	12	-	19	16	12	-	19	16	12	-	19	16	12	-	17	15	11	-
	2632	6.49	6.61	6.80	-	6.93	7.06	7.26	-	7.32	7.46	7.67	-	7.66	7.81	8.04	-	7.95	8.11	8.35	-	8.20	8.36	8.61	-
	AMPS	17.4	17.8	18.3	-	18.6	19.0	19.6	-	20.0	20.5	21.1	-	21.2	21.7	22.3	-	22.4	22.9	23.6	-	23.6	24.2	24.9	-
HI PR	212	228	241	-	238	256	271	-	271	292	308	-	309	332	351	-	347	374	395	-	384	413	436	-	
LO PR	100	106	116	-	106	112	123	-	110	117	128	-	115	123	134	-	121	129	140	-	125	133	145	-	
3000	MBh	88.5	91.7	100.5	-	86.4	89.6	98.1	-	84.4	87.4	95.8	-	82.3	85.3	93.5	-	78.2	81.0	88.8	-	72.4	75.1	82.2	-
	S/T	0.67	0.56	0.39	-	0.69	0.58	0.40	-	0.71	0.59	0.41	-	0.73	0.61	0.42	-	0.76	0.64	0.44	-	0.77	0.64	0.44	-
	Delta T	18	16	12	-	18	16	12	-	18	16	12	-	19	16	12	-	18	16	12	-	17	15	11	-
	3000	6.63	6.76	6.95	-	7.08	7.22	7.43	-	7.48	7.63	7.85	-	7.83	7.99	8.23	-	8.13	8.29	8.54	-	8.39	8.56	8.82	-
	AMPS	17.8	18.2	18.7	-	19.1	19.5	20.0	-	20.5	21.0	21.6	-	21.8	22.2	22.9	-	23.0	23.5	24.2	-	24.3	24.8	25.6	-
HI PR	219	236	249	-	246	264	279	-	279	301	317	-	318	342	362	-	358	385	407	-	395	426	449	-	
LO PR	103	110	120	-	109	116	127	-	113	120	132	-	119	127	138	-	125	133	145	-	129	137	150	-	
3367	MBh	91.1	94.5	103.5	-	89.0	92.3	101.1	-	86.9	90.1	98.7	-	84.8	87.9	96.3	-	80.5	83.5	91.5	-	74.6	77.3	84.7	-
	S/T	0.70	0.59	0.41	-	0.73	0.61	0.42	-	0.75	0.62	0.43	-	0.77	0.64	0.45	-	0.80	0.67	0.46	-	0.81	0.67	0.47	-
	Delta T	17	15	11	-	18	15	12	-	18	15	12	-	18	15	12	-	18	15	12	-	16	14	11	-
	3367	6.68	6.80	6.99	-	7.13	7.27	7.48	-	7.54	7.68	7.91	-	7.89	8.05	8.29	-	8.19	8.36	8.61	-	8.45	8.62	8.89	-
	AMPS	18.0	18.3	18.9	-	19.2	19.6	20.2	-	20.7	21.1	21.8	-	21.9	22.4	23.1	-	23.2	23.7	24.4	-	24.5	25.0	25.8	-
HI PR	221	238	251	-	248	267	282	-	282	304	321	-	321	346	365	-	361	389	411	-	399	430	454	-	
LO PR	104	111	121	-	110	117	128	-	114	122	133	-	120	128	140	-	126	134	146	-	130	139	151	-	

2632	MBh	83.0	85.5	92.6	99.3	81.1	83.5	90.4	97.0	79.2	81.5	88.2	94.7	77.3	79.5	86.1	92.4	73.4	75.6	81.8	87.8	68.0	70.0	75.8	81.3
	S/T	0.73	0.66	0.50	0.32	0.76	0.68	0.51	0.33	0.78	0.70	0.53	0.34	0.81	0.72	0.54	0.35	0.84	0.75	0.57	0.36	0.84	0.75	0.57	0.37
	Delta T	21	20	16	11	22	20	16	11	22	20	16	11	22	20	16	11	21	20	16	11	21	20	18	15
	2632	6.54	6.66	6.85	7.04	6.98	7.11	7.32	7.53	7.37	7.51	7.73	7.96	7.71	7.87	8.10	8.34	8.01	8.17	8.41	8.67	8.26	8.43	8.68	8.95
	AMPS	17.5	17.9	18.4	19.0	18.8	19.2	19.7	20.4	20.2	20.6	21.2	21.9	21.4	21.9	22.5	23.3	22.6	23.1	23.8	24.7	23.8	24.4	25.1	26.0
HI PR	214	231	244	254	241	259	273	285	274	295	311	324	312	335	354	369	351	377	399	416	387	417	440	459	
LO PR	101	108	117	125	107	114	124	132	111	118	129	137	117	124	135	144	122	130	142	151	126	134	147	156	
3000	MBh	90.0	92.6	100.3	107.6	87.9	90.5	97.9	105.1	85.8	88.3	95.6	102.6	83.7	86.2	93.3	100.1	79.5	81.9	88.6	95.1	73.7	75.8	82.1	88.1
	S/T	0.76	0.68	0.52	0.33	0.79	0.71	0.53	0.34	0.81	0.72	0.55	0.35	0.83	0.75	0.57	0.36	0.87	0.78	0.59	0.38	0.87	0.78	0.59	0.38
	Delta T	21	19	16	11	21	20	16	11	21	20	16	11	21	20	16	11	21	19	16	11	20	18	15	10
	3000	6.68	6.81	7.00	7.20	7.14	7.27	7.48	7.70	7.54	7.69	7.91	8.15	7.89	8.05	8.29	8.54	8.19	8.36	8.61	8.88	8.45	8.63	8.89	9.16
	AMPS	18.0	18.3	18.9	19.5	19.2	19.6	20.2	20.9	20.7	21.1	21.8	22.5	22.0	22.4	23.1	23.9	23.2	23.7	24.5	25.3	24.5	25.0	25.8	26.7
HI PR	221	238	251	262	248	267	282	294	282	304	321	334	321	346	365	381	362	389	411	429	399	430	454	473	
LO PR	104	111	121	129	110	117	128	136	114	122	133	142	120	128	140	149	126	134	146	156	130	139	151	161	
3367	MBh	92.7	95.4	103.3	110.9	90.5	93.2	100.9	108.3	88.4	91.0	98.5	105.7	86.2	88.8	96.1	103.1	81.9	84.3	91.3	98.0	75.9	78.1	84.5	90.7
	S/T	0.80	0.71	0.54	0.35	0.83	0.74	0.56	0.36	0.85	0.76	0.57	0.37	0.88	0.78	0.59	0.38	0.91	0.81	0.62	0.40	0.92	0.82	0.62	0.40
	Delta T	20	19	15	11	20	19	15	11	20	19	15	11	21	19	16	11	20	19	16	11	19	17	14	10
	3367	6.73	6.85	7.05	7.25	7.19	7.33	7.54	7.76	7.59	7.74	7.97	8.21	7.95	8.11	8.35	8.61	8.26	8.42	8.68	8.95	8.52	8.69	8.96	9.24
	AMPS	18.1	18.5	19.0	19.6	19.4	19.8	20.4	21.0	20.9	21.3	21.9	22.7	22.1	22.6	23.3	24.1	23.4	23.9	24.7	25.5	24.7	25.2	26.0	26.9
HI PR	223	240	254	265	251	270	285	297	285	307	324	338	325	349	369	385	365	393	415	433	403	434	458	478	
LO PR	105	112	122	130	111	118	129	138	116	123	134	143	121	129	141	150	127	135	148	157	132	140	153	163	

IDB: Entering Indoor Dry Bulb Temperature
 High and low pressures are measured at the liquid and suction service valves.
 Shaded area reflects ACCA (TVA) conditions
 Amps = outdoor unit amps (comp.+fan)
 kW = Total system power

EXPANDED COOLING DATA — DX11TA0903A* / (2) CA*F4961*6D*+TXV (CONT.)

IDB	AIRFLOW	OUTDOOR AMBIENT TEMPERATURE																							
		65°F				75°F				85°F				95°F				105°F				115°F			
		59	63	67	71	59	63	67	71	59	63	67	71	59	63	67	71	59	63	67	71	59	63	67	71
80	MBh	84.5	86.4	92.3	98.6	82.6	84.4	90.1	96.3	80.6	82.4	88.0	94.1	78.6	80.3	85.8	91.8	74.7	76.3	81.5	87.2	69.2	70.7	75.5	80.8
	S/T	0.80	0.75	0.61	0.46	0.83	0.78	0.64	0.48	0.86	0.80	0.65	0.49	0.88	0.83	0.67	0.50	0.92	0.86	0.70	0.52	0.92	0.87	0.71	0.53
	Delta T	24	23	20	16	24	23	20	16	24	23	20	16	24	23	20	16	24	23	20	16	22	21	19	15
	kW	6.58	6.71	6.89	7.09	7.03	7.17	7.37	7.59	7.42	7.57	7.79	8.02	7.77	7.93	8.16	8.41	8.07	8.23	8.48	8.74	8.32	8.49	8.75	9.02
	Amps	17.7	18.0	18.6	19.2	18.9	19.3	19.9	20.5	20.4	20.8	21.4	22.1	21.6	22.1	22.7	23.5	22.8	23.3	24.0	24.9	24.0	24.6	25.3	26.2
	HI PR	217	233	246	257	243	262	276	288	276	298	314	328	315	339	358	373	354	381	403	420	391	421	445	464
	LO PR	102	109	119	126	108	115	125	133	112	119	130	139	118	125	137	146	123	131	143	153	128	136	148	158
	MBh	91.6	93.6	100.0	106.9	89.4	91.4	97.7	104.4	87.3	89.2	95.3	101.9	85.2	87.0	93.0	99.4	80.9	82.7	88.4	94.4	75.0	76.6	81.8	87.5
	S/T	0.83	0.78	0.64	0.48	0.87	0.81	0.66	0.49	0.89	0.83	0.68	0.51	0.92	0.86	0.70	0.52	0.95	0.89	0.73	0.54	0.96	0.90	0.73	0.55
	Delta T	23	22	20	16	24	23	20	16	24	23	20	16	24	23	20	16	24	23	20	16	22	21	18	15
kW	6.73	6.85	7.05	7.25	7.19	7.33	7.54	7.76	7.59	7.74	7.97	8.21	7.95	8.11	8.35	8.61	8.26	8.42	8.68	8.95	8.52	8.69	8.96	9.24	
Amps	18.1	18.5	19.0	19.6	19.4	19.8	20.4	21.0	20.9	21.3	21.9	22.7	22.1	22.6	23.3	24.1	23.4	23.9	24.7	25.5	24.7	25.2	26.0	26.9	
HI PR	223	240	254	265	251	270	285	297	285	307	324	338	325	349	369	385	365	393	415	433	404	434	459	478	
LO PR	105	112	122	130	111	118	129	138	116	123	134	143	121	129	141	150	127	135	148	157	132	140	153	163	
MBh	94.3	96.4	103.0	110.1	92.1	94.1	100.6	107.5	89.9	91.9	98.2	105.0	87.7	89.7	95.8	102.4	83.4	85.2	91.0	97.3	77.2	78.9	84.3	90.1	
S/T	0.88	0.82	0.67	0.50	0.91	0.85	0.69	0.52	0.93	0.87	0.71	0.53	0.96	0.90	0.73	0.55	1.00	0.93	0.76	0.57	1.00	0.94	0.77	0.57	
Delta T	23	22	19	15	23	22	19	15	23	22	19	15	23	22	19	15	23	22	19	15	21	20	18	14	
kW	6.77	6.90	7.10	7.30	7.24	7.38	7.59	7.82	7.65	7.80	8.03	8.27	8.01	8.17	8.42	8.67	8.32	8.49	8.75	9.02	8.58	8.76	9.03	9.31	
Amps	18.2	18.6	19.2	19.8	19.5	20.0	20.5	21.2	21.0	21.5	22.1	22.9	22.3	22.8	23.5	24.3	23.6	24.1	24.9	25.7	24.9	25.4	26.2	27.1	
HI PR	226	243	256	267	253	272	288	300	288	310	327	341	328	353	373	389	369	397	419	437	408	439	463	483	
LO PR	106	113	123	131	112	119	130	139	117	124	136	144	123	130	142	152	129	137	149	159	133	141	154	164	

85	MBh	86.0	87.7	91.8	98.0	84.0	85.6	89.7	95.7	82.0	83.6	87.5	93.4	80.0	81.6	85.4	91.1	76.0	77.5	81.1	86.6	70.4	71.8	75.2	80.2
	S/T	0.84	0.81	0.73	0.60	0.87	0.84	0.76	0.62	0.90	0.87	0.78	0.63	0.93	0.89	0.81	0.65	0.96	0.93	0.84	0.68	0.97	0.93	0.84	0.68
	Delta T	25	25	24	20	26	25	24	21	26	25	24	21	26	25	24	21	26	25	24	21	24	23	22	19
	kW	6.63	6.76	6.94	7.14	7.08	7.22	7.42	7.64	7.48	7.63	7.85	8.08	7.83	7.99	8.22	8.47	8.13	8.29	8.54	8.80	8.39	8.56	8.82	9.09
	Amps	17.8	18.2	18.7	19.3	19.1	19.5	20.0	20.7	20.5	21.0	21.6	22.3	21.8	22.2	22.9	23.7	23.0	23.5	24.2	25.1	24.2	24.8	25.5	26.4
	HI PR	219	235	249	259	246	264	279	291	279	301	317	331	318	342	361	377	358	385	407	424	395	425	449	469
	LO PR	103	110	120	128	109	116	127	135	113	120	132	140	119	127	138	147	125	133	145	154	129	137	150	159
	MBh	93.2	95.0	99.5	106.1	91.0	92.8	97.2	103.7	88.8	90.6	94.8	101.2	86.7	88.4	92.5	98.7	82.3	83.9	87.9	93.8	76.3	77.8	81.4	86.9
	S/T	0.88	0.84	0.76	0.62	0.91	0.88	0.79	0.64	0.93	0.90	0.81	0.66	0.96	0.93	0.84	0.68	1.00	0.96	0.87	0.70	1.00	0.97	0.87	0.71
	Delta T	25	25	23	20	25	25	24	20	25	25	24	20	25	25	24	21	25	25	23	20	23	23	22	19
kW	6.77	6.90	7.10	7.30	7.24	7.38	7.59	7.82	7.65	7.80	8.03	8.27	8.01	8.17	8.42	8.67	8.32	8.49	8.75	9.02	8.58	8.76	9.03	9.31	
Amps	18.2	18.6	19.2	19.8	19.5	20.0	20.5	21.2	21.0	21.5	22.1	22.9	22.3	22.8	23.5	24.3	23.6	24.1	24.9	25.7	24.9	25.4	26.2	27.1	
HI PR	226	243	256	267	253	272	288	300	288	310	327	341	328	353	373	389	369	397	419	437	408	439	463	483	
LO PR	106	113	123	131	112	119	130	139	117	124	136	144	123	130	142	152	129	137	149	159	133	141	154	164	
MBh	96.0	97.8	102.5	109.3	93.7	95.6	100.1	106.8	91.5	93.3	97.7	104.2	89.3	91.0	95.3	101.7	84.8	86.5	90.5	96.6	78.6	80.1	83.9	89.5	
S/T	0.92	0.89	0.80	0.65	0.95	0.92	0.83	0.67	0.98	0.94	0.85	0.69	1.00	0.97	0.88	0.71	1.00	1.00	0.91	0.74	1.00	1.00	0.92	0.74	
Delta T	24	24	22	19	24	24	23	20	24	24	23	20	24	24	23	20	23	24	22	19	21	22	21	18	
kW	6.82	6.95	7.15	7.36	7.29	7.43	7.65	7.88	7.71	7.86	8.09	8.34	8.07	8.23	8.48	8.74	8.38	8.55	8.81	9.09	8.65	8.83	9.10	9.38	
Amps	18.4	18.8	19.3	19.9	19.7	20.1	20.7	21.4	21.2	21.7	22.3	23.1	22.5	23.0	23.7	24.5	23.8	24.3	25.1	25.9	25.1	25.7	26.4	27.4	
HI PR	228	245	259	270	256	275	291	303	291	313	330	345	331	356	376	392	373	401	423	442	412	443	468	488	
LO PR	107	114	125	133	113	121	132	140	118	125	137	146	124	132	144	153	130	138	151	161	134	143	156	166	

IDB: Entering Indoor Dry Bulb Temperature
 High and low pressures are measured at the liquid and suction service valves.
 Shaded area reflects AHRI conditions
 Amps = outdoor unit amps (comp.+fan)
 kW = Total system power

IDB	AIRFLOW	OUTDOOR AMBIENT TEMPERATURE																							
		65°F				75°F				85°F				95°F				105°F				115°F			
		59	63	67	71	59	63	67	71	59	63	67	71	59	63	67	71	59	63	67	71	59	63	67	71
70	MBh	81.7	84.6	92.7	-	79.8	82.7	90.6	-	77.9	80.7	88.4	-	76.0	78.7	86.3	-	72.2	74.8	82.0	-	66.9	69.3	75.9	-
	S/T	0.66	0.55	0.38	-	0.68	0.57	0.40	-	0.70	0.59	0.41	-	0.72	0.61	0.42	-	0.75	0.63	0.44	-	0.76	0.63	0.44	-
	Delta T	19	16	12	-	19	17	13	-	19	17	13	-	19	17	13	-	19	16	12	-	18	15	12	-
	kW	6.23	6.36	6.54	-	6.68	6.81	7.02	-	7.07	7.21	7.43	-	7.41	7.57	7.80	-	7.71	7.87	8.11	-	7.96	8.13	8.38	-
	Amps	8.7	8.9	9.2	-	9.3	9.5	9.8	-	10.0	10.3	10.6	-	10.7	10.9	11.2	-	11.3	11.5	11.9	-	11.9	12.1	12.5	-
	HI PR	215	231	244	-	241	259	274	-	274	295	311	-	312	336	355	-	351	378	399	-	388	417	441	-
	LO PR	101	107	117	-	107	114	124	-	111	118	129	-	117	124	135	-	122	130	142	-	126	134	147	-
	MBh	88.5	91.7	100.5	-	86.4	89.6	98.1	-	84.4	87.4	95.8	-	82.3	85.3	93.5	-	78.2	81.0	88.8	-	72.4	75.1	82.2	-
	S/T	0.69	0.57	0.40	-	0.71	0.59	0.41	-	0.73	0.61	0.42	-	0.75	0.63	0.43	-	0.78	0.65	0.45	-	0.79	0.66	0.46	-
	Delta T	19	16	12	-	19	16	12	-	19	16	12	-	19	16	12	-	19	16	12	-	17	15	11	-
	kW	6.38	6.50	6.69	-	6.83	6.97	7.18	-	7.24	7.38	7.61	-	7.59	7.75	7.99	-	7.89	8.06	8.31	-	8.16	8.33	8.59	-
	Amps	8.9	9.1	9.4	-	9.6	9.8	10.1	-	10.3	10.5	10.8	-	10.9	11.2	11.5	-	11.6	11.8	12.2	-	12.2	12.5	12.8	-
	HI PR	221	238	251	-	248	267	282	-	282	304	321	-	322	346	365	-	362	389	411	-	400	430	454	-
	LO PR	104	111	121	-	110	117	128	-	114	122	133	-	120	128	140	-	126	134	146	-	130	139	151	-
	MBh	91.1	94.5	103.5	-	89.0	92.3	101.1	-	86.9	90.1	98.7	-	84.8	87.9	96.3	-	80.5	83.5	91.5	-	74.6	77.3	84.7	-
	S/T	0.72	0.60	0.42	-	0.74	0.62	0.43	-	0.76	0.64	0.44	-	0.79	0.66	0.46	-	0.82	0.68	0.47	-	0.83	0.69	0.48	-
	ΔT	18	15	12	-	18	16	12	-	18	16	12	-	18	16	12	-	18	16	12	-	17	15	11	-
	kW	6.42	6.55	6.74	-	6.88	7.02	7.24	-	7.29	7.44	7.67	-	7.65	7.81	8.05	-	7.96	8.12	8.38	-	8.22	8.40	8.66	-
	Amps	9.0	9.2	9.5	-	9.6	9.8	10.1	-	10.4	10.6	10.9	-	11.0	11.3	11.6	-	11.7	11.9	12.3	-	12.3	12.6	12.9	-
	HI PR	223	241	254	-	251	270	285	-	285	307	324	-	325	350	369	-	365	393	415	-	404	435	459	-
	LO PR	105	112	122	-	111	118	129	-	115	123	134	-	121	129	141	-	127	135	148	-	132	140	153	-

75	MBh	83.0	85.5	92.6	99.3	81.1	83.5	90.4	97.0	79.2	81.5	88.2	94.7	77.3	79.5	86.1	92.4	73.4	75.6	81.8	87.8	68.0	70.0	75.8	81.3
	S/T	0.75	0.67	0.51	0.33	0.78	0.70	0.53	0.34	0.80	0.71	0.54	0.35	0.82	0.74	0.56	0.36	0.85	0.76	0.58	0.37	0.86	0.77	0.58	0.38
	Delta T	22	20	16	11	22	20	17	11	22	20	17	12	22	20	17	12	22	20	17	11	22	20	17	11
	kW	6.28	6.40	6.59	6.79	6.73	6.86	7.07	7.29	7.12	7.27	7.49	7.72	7.47	7.63	7.86	8.11	7.77	7.93	8.18	8.44	8.02	8.19	8.45	8.72
	Amps	8.8	9.0	9.2	9.5	9.4	9.6	9.9	10.2	10.1	10.3	10.7	11.0	10.7	11.0	11.3	11.7	11.4	11.6	12.0	12.4	12.0	12.2	12.6	13.1
	HI PR	217	233	246	257	243	262	276	288	277	298	314	328	315	339	358	374	355	382	403	420	392	422	445	464
	LO PR	102	109	119	126	108	115	125	133	112	119	130	139	118	125	137	146	123	131	143	153	128	136	148	158
	MBh	90.0	92.6	100.3	107.6	87.9	90.5	97.9	105.1	85.8	88.3	95.6	102.6	83.7	86.2	93.3	100.1	79.5	81.9	88.6	95.1	73.7	75.8	82.1	88.1
	S/T	0.78	0.70	0.53	0.34	0.81	0.72	0.55	0.35	0.83	0.74	0.56	0.36	0.85	0.76	0.58	0.37	0.89	0.79	0.60	0.39	0.89	0.80	0.61	0.39
	Delta T	21	20	16	11	22	20	16	11	22	20	16	11	22	20	17	11	22	20	16	11	20	19	15	11
	kW	6.42	6.55	6.74	6.95	6.89	7.03	7.24	7.46	7.29	7.44	7.67	7.91	7.65	7.81	8.06	8.31	7.96	8.13	8.38	8.65	8.22	8.40	8.66	8.94
	Amps	9.0	9.2	9.5	9.8	9.6	9.8	10.1	10.5	10.4	10.6	10.9	11.3	11.0	11.3	11.6	12.0	11.7	11.9	12.3	12.7	12.3	12.6	13.0	13.4
	HI PR	224	241	254	265	251	270	285	297	285	307	324	338	325	350	369	385	366	393	415	433	404	435	459	479
	LO PR	105	112	122	130	111	118	129	137	116	123	134	143	121	129	141	150	127	135	148	157	132	140	153	163
	MBh	92.7	95.4	103.3	110.9	90.5	93.2	100.9	108.3	88.4	91.0	98.5	105.7	86.2	88.8	96.1	103.1	81.9	84.3	91.3	98.0	75.9	78.1	84.5	90.7
	S/T	0.82	0.73	0.55	0.36	0.85	0.76	0.57	0.37	0.87	0.78	0.59	0.38	0.90	0.80	0.61	0.39	0.93	0.83	0.63	0.41	0.94	0.84	0.63	0.41
	Delta T	21	19	16	11	21	19	16	11	21	19	16	11	21	19	16	11	21	19	16	11	19	18	15	10
	kW	6.47	6.60	6.80	7.00	6.94	7.08	7.29	7.52	7.35	7.50	7.73	7.97	7.71	7.87	8.12	8.38	8.02	8.19	8.45	8.72	8.29	8.46	8.73	9.02
	Amps	9.1	9.3	9.5	9.8	9.7	9.9	10.2	10.6	10.5	10.7	11.0	11.4	11.1	11.4	11.7	12.1	11.8	12.0	12.4	12.8	12.4	12.7	13.1	13.5
	HI PR	226	243	257	268	253	273	288	300	288	310	327	341	328	353	373	389	369	397	420	438	408	439	464	483
	LO PR	106	113	123	131	112	119	130	139	117	124	136	144	123	130	142	152	128	137	149	159	133	141	154	164

IDB: Entering Indoor Dry Bulb Temperature
 High and low pressures are measured at the liquid and suction service valves.
 Shaded area reflects ACCA (TVA) conditions
 Amps = outdoor unit amps (comp.+fan)
 kW = Total system power

IDB	AIRFLOW	OUTDOOR AMBIENT TEMPERATURE												ENTERING INDOOR WET BULB TEMPERATURE											
		65°F				75°F				85°F				95°F				105°F				115°F			
		59	63	67	71	59	63	67	71	59	63	67	71	59	63	67	71	59	63	67	71	59	63	67	71
80	MBh	84.5	86.4	92.3	98.6	82.6	84.4	90.1	96.3	80.6	82.4	88.0	94.1	78.6	80.3	85.8	91.8	74.7	76.3	81.5	87.2	69.2	70.7	75.5	80.8
	S/T	0.82	0.77	0.63	0.47	0.85	0.80	0.65	0.49	0.88	0.82	0.67	0.50	0.90	0.85	0.69	0.52	0.94	0.88	0.72	0.54	0.95	0.89	0.72	0.54
	Delta T	24	23	20	16	25	24	21	16	25	24	21	16	25	24	21	17	24	23	20	16	23	22	19	15
	kW	6.33	6.45	6.64	6.84	6.78	6.92	7.12	7.34	7.18	7.33	7.55	7.79	7.53	7.69	7.93	8.18	7.83	8.00	8.25	8.51	8.09	8.26	8.52	8.80
	Amps	8.9	9.0	9.3	9.6	9.5	9.7	10.0	10.3	10.2	10.4	10.7	11.1	10.8	11.1	11.4	11.8	11.5	11.7	12.1	12.5	12.1	12.3	12.7	13.2
	HI PR	219	236	249	260	246	264	279	291	280	301	318	331	318	343	362	377	358	385	407	424	396	426	450	469
	LO PR	103	110	120	127	109	116	126	135	113	120	131	140	119	126	138	147	125	133	145	154	129	137	150	159
	MBh	91.6	93.6	100.0	106.9	89.4	91.4	97.7	104.4	87.3	89.2	95.3	101.9	85.2	87.0	93.0	99.4	80.9	82.7	88.4	94.4	75.0	76.6	81.8	87.5
	S/T	0.85	0.80	0.65	0.49	0.89	0.83	0.68	0.51	0.91	0.85	0.69	0.52	0.94	0.88	0.72	0.53	0.97	0.91	0.74	0.56	0.98	0.92	0.75	0.56
	Delta T	24	23	20	16	24	23	20	16	24	23	20	16	24	23	20	16	24	23	20	16	23	22	19	15
kW	6.47	6.60	6.80	7.00	6.94	7.08	7.29	7.52	7.35	7.50	7.73	7.98	7.71	7.87	8.12	8.38	8.02	8.19	8.45	8.72	8.29	8.46	8.73	9.02	
Amps	9.1	9.3	9.5	9.8	9.7	9.9	10.2	10.6	10.5	10.7	11.0	11.4	11.1	11.4	11.7	12.1	11.8	12.0	12.4	12.8	12.4	12.7	13.1	13.5	
HI PR	226	243	257	268	253	273	288	300	288	310	327	342	328	353	373	389	369	397	420	438	408	439	464	484	
LO PR	106	113	123	131	112	119	130	139	117	124	136	144	123	130	142	152	128	137	149	159	133	141	154	164	
MBh	94.3	96.4	103.0	110.1	92.1	94.1	100.6	107.5	89.9	91.9	98.2	105.0	87.7	89.7	95.8	102.4	83.4	85.2	91.0	97.3	77.2	78.9	84.3	90.1	
S/T	0.90	0.84	0.68	0.51	0.93	0.87	0.71	0.53	0.95	0.89	0.73	0.54	1.00	0.92	0.75	0.56	1.00	0.96	0.78	0.58	1.00	0.96	0.79	0.59	
Delta T	23	22	19	15	23	22	19	16	23	22	19	16	24	23	20	16	24	23	20	16	21	21	18	14	
kW	6.52	6.65	6.85	7.05	6.99	7.13	7.35	7.58	7.41	7.56	7.79	8.04	7.77	7.94	8.18	8.45	8.09	8.26	8.52	8.79	8.35	8.53	8.80	9.09	
Amps	9.1	9.3	9.6	9.9	9.8	10.0	10.3	10.6	10.6	10.8	11.1	11.5	11.2	11.5	11.8	12.2	11.9	12.1	12.5	12.9	12.5	12.8	13.2	13.6	
HI PR	228	245	259	270	256	275	291	303	291	313	331	345	331	357	377	393	373	401	424	442	412	443	468	488	
LO PR	107	114	125	133	113	121	132	140	118	125	137	146	124	132	144	153	130	138	151	160	134	143	156	166	

2632	MBh	86.0	87.7	91.8	98.0	84.0	85.6	89.7	95.7	82.0	83.6	87.5	93.4	80.0	81.6	85.4	91.1	76.0	77.5	81.1	86.6	70.4	71.8	75.2	80.2
	S/T	0.86	0.83	0.75	0.61	0.90	0.86	0.78	0.63	0.92	0.89	0.80	0.65	0.95	0.91	0.83	0.67	0.98	0.95	0.86	0.69	0.99	0.96	0.86	0.70
	Delta T	26	26	24	21	26	26	24	21	26	26	24	21	26	26	25	21	26	26	24	21	24	24	23	20
	kW	6.37	6.50	6.69	6.89	6.83	6.97	7.18	7.40	7.23	7.38	7.61	7.85	7.59	7.75	7.99	8.24	7.89	8.06	8.31	8.58	8.15	8.33	8.59	8.87
	Amps	8.9	9.1	9.4	9.7	9.6	9.8	10.1	10.4	10.3	10.5	10.8	11.2	10.9	11.2	11.5	11.9	11.6	11.8	12.2	12.6	12.2	12.5	12.8	13.3
	HI PR	221	238	251	262	248	267	282	294	282	304	321	335	322	346	365	381	362	389	411	429	400	430	454	474
	LO PR	104	111	121	129	110	117	128	136	114	122	133	141	120	128	139	149	126	134	146	156	130	138	151	161
	MBh	93.2	95.0	99.5	106.1	91.0	92.8	97.2	103.7	88.8	90.6	94.8	101.2	86.7	88.4	92.5	98.7	82.3	83.9	87.9	93.8	76.3	77.8	81.4	86.9
	S/T	0.90	0.86	0.78	0.63	0.93	0.90	0.81	0.66	0.95	0.92	0.83	0.67	0.98	0.95	0.86	0.69	1.00	0.98	0.89	0.72	1.00	0.99	0.90	0.73
	Delta T	26	25	24	21	26	25	24	21	26	25	24	21	26	26	24	21	25	25	24	21	23	24	22	19
kW	6.52	6.65	6.85	7.05	6.99	7.13	7.35	7.58	7.41	7.56	7.79	8.04	7.77	7.94	8.18	8.45	8.09	8.26	8.52	8.79	8.35	8.53	8.80	9.09	
Amps	9.1	9.3	9.6	9.9	9.8	10.0	10.3	10.6	10.6	10.8	11.1	11.5	11.2	11.5	11.8	12.2	11.9	12.1	12.5	12.9	12.5	12.8	13.2	13.6	
HI PR	228	245	259	270	256	275	291	303	291	313	331	345	331	357	377	393	373	401	424	442	412	443	468	488	
LO PR	107	114	125	133	113	121	132	140	118	125	137	146	124	132	144	153	130	138	151	160	134	143	156	166	
MBh	96.0	97.8	102.5	109.3	93.7	95.6	100.1	106.8	91.5	93.3	97.7	104.2	89.3	91.0	95.3	101.7	84.8	86.5	90.5	96.6	78.6	80.1	83.9	89.5	
S/T	0.94	0.91	0.82	0.66	0.97	0.94	0.85	0.69	1.00	0.96	0.87	0.71	1.00	0.99	0.90	0.73	1.00	1.00	0.93	0.76	1.00	1.00	0.94	0.76	
Delta T	25	24	23	20	25	25	23	20	25	25	23	20	24	25	23	20	23	24	23	20	21	22	22	19	
kW	6.57	6.70	6.90	7.11	7.04	7.19	7.41	7.64	7.46	7.62	7.85	8.10	7.83	8.00	8.25	8.51	8.15	8.32	8.59	8.86	8.42	8.60	8.88	9.16	
Amps	9.2	9.4	9.7	10.0	9.9	10.1	10.4	10.7	10.6	10.9	11.2	11.6	11.3	11.5	11.9	12.3	12.0	12.2	12.6	13.0	12.6	12.9	13.3	13.8	
HI PR	230	248	262	273	258	278	294	306	294	316	334	348	335	360	380	397	377	405	428	446	416	448	473	493	
LO PR	108	115	126	134	115	122	133	142	119	127	138	147	125	133	145	155	131	139	152	162	136	144	157	168	

IDB: Entering Indoor Dry Bulb Temperature
 High and low pressures are measured at the liquid and suction service valves.
 Shaded area reflects AHRI conditions
 Amps = outdoor unit amps (comp.+fan)
 kW = Total system power

IDB	AIRFLOW	OUTDOOR AMBIENT TEMPERATURE																							
		65°F				75°F				85°F				95°F				105°F				115°F			
		59	63	67	71	59	63	67	71	59	63	67	71	59	63	67	71	59	63	67	71	59	63	67	71
70	MBh	81.7	84.6	92.7	-	79.8	82.7	90.6	-	77.9	80.7	88.4	-	76.0	78.7	86.3	-	72.2	74.8	82.0	-	66.9	69.3	75.9	-
	S/T	0.65	0.54	0.37	-	0.67	0.56	0.39	-	0.69	0.57	0.40	-	0.71	0.59	0.41	-	0.74	0.61	0.43	-	0.74	0.62	0.43	-
	Delta T	18	16	12	-	19	16	12	-	19	16	12	-	19	16	12	-	19	16	12	-	17	15	11	-
	kW	6.49	6.61	6.80	-	6.93	7.06	7.26	-	7.32	7.46	7.67	-	7.66	7.81	8.04	-	7.95	8.11	8.35	-	8.20	8.36	8.61	-
	Amps	8.7	8.9	9.1	-	9.3	9.5	9.8	-	10.0	10.2	10.5	-	10.6	10.8	11.2	-	11.2	11.5	11.8	-	11.8	12.1	12.5	-
	HI PR	212	228	241	-	238	256	271	-	271	292	308	-	309	332	351	-	347	374	395	-	384	413	436	-
	LO PR	100	106	116	-	106	112	123	-	110	117	128	-	115	123	134	-	121	129	140	-	125	133	145	-
	MBh	88.5	91.7	100.5	-	86.4	89.6	98.1	-	84.4	87.4	95.8	-	82.3	85.3	93.5	-	78.2	81.0	88.8	-	72.4	75.1	82.2	-
	S/T	0.67	0.56	0.39	-	0.69	0.58	0.40	-	0.71	0.59	0.41	-	0.73	0.61	0.42	-	0.76	0.64	0.44	-	0.77	0.64	0.44	-
	Delta T	18	16	12	-	18	16	12	-	18	16	12	-	19	16	12	-	18	16	12	-	17	15	11	-
kW	6.63	6.76	6.95	-	7.08	7.22	7.43	-	7.48	7.63	7.85	-	7.83	7.99	8.23	-	8.13	8.29	8.54	-	8.39	8.56	8.82	-	
Amps	8.9	9.1	9.4	-	9.5	9.7	10.0	-	10.3	10.5	10.8	-	10.9	11.1	11.5	-	11.5	11.8	12.1	-	12.1	12.4	12.8	-	
HI PR	219	236	249	-	246	264	279	-	279	301	317	-	318	342	362	-	358	385	407	-	395	426	449	-	
LO PR	103	110	120	-	109	116	127	-	113	120	132	-	119	127	138	-	125	133	145	-	129	137	150	-	
MBh	91.1	94.5	103.5	-	89.0	92.3	101.1	-	86.9	90.1	98.7	-	84.8	87.9	96.3	-	80.5	83.5	91.5	-	74.6	77.3	84.7	-	
S/T	0.70	0.59	0.41	-	0.73	0.61	0.42	-	0.75	0.62	0.43	-	0.77	0.64	0.45	-	0.80	0.67	0.46	-	0.81	0.67	0.47	-	
ΔT	17	15	11	-	18	15	12	-	18	15	12	-	18	15	12	-	18	15	12	-	16	14	11	-	
kW	6.68	6.80	6.99	-	7.13	7.27	7.48	-	7.54	7.68	7.91	-	7.89	8.05	8.29	-	8.19	8.36	8.61	-	8.45	8.62	8.89	-	
Amps	9.0	9.2	9.4	-	9.6	9.8	10.1	-	10.3	10.6	10.9	-	11.0	11.2	11.6	-	11.6	11.9	12.2	-	12.2	12.5	12.9	-	
HI PR	221	238	251	-	248	267	282	-	282	304	321	-	321	346	365	-	361	389	411	-	399	430	454	-	
LO PR	104	111	121	-	110	117	128	-	114	122	133	-	120	128	140	-	126	134	146	-	130	139	151	-	

75	MBh	83.0	85.5	92.6	99.3	81.1	83.5	90.4	97.0	79.2	81.5	88.2	94.7	77.3	79.5	86.1	92.4	73.4	75.6	81.8	87.8	68.0	70.0	75.8	81.3
	S/T	0.73	0.66	0.50	0.32	0.76	0.68	0.51	0.33	0.78	0.70	0.53	0.34	0.81	0.72	0.54	0.35	0.84	0.75	0.57	0.36	0.84	0.75	0.57	0.37
	Delta T	21	20	16	11	22	20	16	11	22	20	16	11	22	20	16	11	21	20	16	11	20	18	15	10
	kW	6.54	6.66	6.85	7.04	6.98	7.11	7.32	7.53	7.37	7.51	7.73	7.96	7.71	7.87	8.10	8.34	8.01	8.17	8.41	8.67	8.26	8.43	8.68	8.95
	Amps	8.8	9.0	9.2	9.5	9.4	9.6	9.9	10.2	10.1	10.3	10.6	11.0	10.7	10.9	11.3	11.6	11.3	11.6	11.9	12.3	11.9	12.2	12.6	13.0
	HI PR	214	231	244	254	241	259	273	285	274	295	311	324	312	335	354	369	351	377	399	416	387	417	440	459
	LO PR	101	108	117	125	107	114	124	132	111	118	129	137	117	124	135	144	122	130	142	151	126	134	147	156
	MBh	90.0	92.6	100.3	107.6	87.9	90.5	97.9	105.1	85.8	88.3	95.6	102.6	83.7	86.2	93.3	100.1	79.5	81.9	88.6	95.1	73.7	75.8	82.1	88.1
	S/T	0.76	0.68	0.52	0.33	0.79	0.71	0.53	0.34	0.81	0.72	0.55	0.35	0.83	0.75	0.57	0.36	0.87	0.78	0.59	0.38	0.87	0.78	0.59	0.38
	Delta T	21	19	16	11	21	20	16	11	21	20	16	11	21	20	16	11	21	19	16	11	20	18	15	10
kW	6.68	6.81	7.00	7.20	7.14	7.27	7.48	7.70	7.54	7.69	7.91	8.15	7.89	8.05	8.29	8.54	8.19	8.36	8.61	8.88	8.45	8.63	8.89	9.16	
Amps	9.0	9.2	9.4	9.7	9.6	9.8	10.1	10.4	10.3	10.6	10.9	11.2	11.0	11.2	11.6	11.9	11.6	11.9	12.2	12.6	12.2	12.5	12.9	13.3	
HI PR	221	238	251	262	248	267	282	294	282	304	321	334	321	346	365	381	362	389	411	429	399	430	454	473	
LO PR	104	111	121	129	110	117	128	136	114	122	133	142	120	128	140	149	126	134	146	156	130	139	151	161	
MBh	92.7	95.4	103.3	110.9	90.5	93.2	100.9	108.3	88.4	91.0	98.5	105.7	86.2	88.8	96.1	103.1	81.9	84.3	91.3	98.0	75.9	78.1	84.5	90.7	
S/T	0.80	0.71	0.54	0.35	0.83	0.74	0.56	0.36	0.85	0.76	0.57	0.37	0.88	0.78	0.59	0.38	0.91	0.81	0.62	0.40	0.92	0.82	0.62	0.40	
Delta T	20	19	15	11	20	19	15	11	20	19	15	11	21	19	16	11	20	19	15	11	19	17	14	10	
kW	6.73	6.85	7.05	7.25	7.19	7.33	7.54	7.76	7.59	7.74	7.97	8.21	7.95	8.11	8.35	8.61	8.26	8.42	8.68	8.95	8.52	8.69	8.96	9.24	
Amps	9.1	9.2	9.5	9.8	9.7	9.9	10.2	10.5	10.4	10.7	11.0	11.3	11.1	11.3	11.6	12.0	11.7	12.0	12.3	12.8	12.3	12.6	13.0	13.5	
HI PR	223	240	254	265	251	270	285	297	285	307	324	338	325	349	369	385	365	393	415	433	403	434	458	478	
LO PR	105	112	122	130	111	118	129	138	116	123	134	143	121	129	141	150	127	135	148	157	132	140	153	163	

IDB: Entering Indoor Dry Bulb Temperature
 High and low pressures are measured at the liquid and suction service valves.
 Shaded area reflects ACCA (TVA) conditions
 Amps = outdoor unit amps (comp.+fan)
 kW = Total system power

EXPANDED COOLING DATA — DX11TA0904A* / (2) CA*F4961*6D*+TXV (CONT.)

IDB	AIRFLOW	OUTDOOR AMBIENT TEMPERATURE												ENTERING INDOOR WET BULB TEMPERATURE											
		65°F				75°F				85°F				95°F				105°F				115°F			
		59	63	67	71	59	63	67	71	59	63	67	71	59	63	67	71	59	63	67	71	59	63	67	71
80	MBh	84.5	86.4	92.3	98.6	82.6	84.4	90.1	96.3	80.6	82.4	88.0	94.1	78.6	80.3	85.8	91.8	74.7	76.3	81.5	87.2	69.2	70.7	75.5	80.8
	S/T	0.80	0.75	0.61	0.46	0.83	0.78	0.64	0.48	0.86	0.80	0.65	0.49	0.88	0.83	0.67	0.50	0.92	0.86	0.70	0.52	0.92	0.87	0.71	0.53
	Delta T	24	23	20	16	24	23	20	16	24	23	20	16	24	23	20	16	24	23	20	16	22	21	19	15
	kW	6.58	6.71	6.89	7.09	7.03	7.17	7.37	7.59	7.42	7.57	7.79	8.02	7.77	7.93	8.16	8.41	8.07	8.23	8.48	8.74	8.32	8.49	8.75	9.02
	Amps	8.8	9.0	9.3	9.6	9.5	9.7	9.9	10.3	10.2	10.4	10.7	11.1	10.8	11.0	11.4	11.7	11.4	11.7	12.0	12.4	12.0	12.3	12.7	13.1
	HI PR	217	233	246	257	243	262	276	288	276	298	314	328	315	339	358	373	354	381	403	420	391	421	445	464
LO PR	102	109	119	126	108	115	125	133	112	119	130	139	118	125	137	146	123	131	143	153	128	136	148	158	
80	MBh	91.6	93.6	100.0	106.9	89.4	91.4	97.7	104.4	87.3	89.2	95.3	101.9	85.2	87.0	93.0	99.4	80.9	82.7	88.4	94.4	75.0	76.6	81.8	87.5
	S/T	0.83	0.78	0.64	0.48	0.87	0.81	0.66	0.49	0.89	0.83	0.68	0.51	0.92	0.86	0.70	0.52	0.95	0.89	0.73	0.54	0.96	0.90	0.73	0.55
	Delta T	23	22	20	16	24	23	20	16	24	23	20	16	24	23	20	16	24	23	20	16	22	21	18	15
	kW	6.73	6.85	7.05	7.25	7.19	7.33	7.54	7.76	7.59	7.74	7.97	8.21	7.95	8.11	8.35	8.61	8.26	8.42	8.68	8.95	8.52	8.69	8.96	9.24
	Amps	9.1	9.2	9.5	9.8	9.7	9.9	10.2	10.5	10.4	10.7	11.0	11.3	11.1	11.3	11.7	12.0	11.7	12.0	12.3	12.8	12.3	12.6	13.0	13.5
	HI PR	223	240	254	265	251	270	285	297	285	307	324	338	325	349	369	385	365	393	415	433	404	434	459	478
LO PR	105	112	122	130	111	118	129	138	116	123	134	143	121	129	141	150	127	135	148	157	132	140	153	163	
3367	MBh	94.3	96.4	103.0	110.1	92.1	94.1	100.6	107.5	89.9	91.9	98.2	105.0	87.7	89.7	95.8	102.4	83.4	85.2	91.0	97.3	77.2	78.9	84.3	90.1
	S/T	0.88	0.82	0.67	0.50	0.91	0.85	0.69	0.52	0.93	0.87	0.71	0.53	0.96	0.90	0.73	0.55	1.00	0.93	0.76	0.57	1.00	0.94	0.77	0.57
	Delta T	23	22	19	15	23	22	19	15	23	22	19	15	23	22	19	15	23	22	19	15	21	20	18	14
	kW	6.77	6.90	7.10	7.30	7.24	7.38	7.59	7.82	7.65	7.80	8.03	8.27	8.01	8.17	8.42	8.67	8.32	8.49	8.75	9.02	8.58	8.76	9.03	9.31
	Amps	9.1	9.3	9.6	9.9	9.8	10.0	10.3	10.6	10.5	10.7	11.1	11.4	11.2	11.4	11.7	12.1	11.8	12.1	12.4	12.9	12.4	12.7	13.1	13.6
	HI PR	226	243	256	267	253	272	288	300	288	310	327	341	328	353	373	389	369	397	419	437	408	439	463	483
LO PR	106	113	123	131	112	119	130	139	117	124	136	144	123	130	142	152	129	137	149	159	133	141	154	164	

2632	MBh	86.0	87.7	91.8	98.0	84.0	85.6	89.7	95.7	82.0	83.6	87.5	93.4	80.0	81.6	85.4	91.1	76.0	77.5	81.1	86.6	70.4	71.8	75.2	80.2
	S/T	0.84	0.81	0.73	0.60	0.87	0.84	0.76	0.62	0.90	0.87	0.78	0.63	0.93	0.89	0.81	0.65	0.96	0.93	0.84	0.68	0.97	0.93	0.84	0.68
	Delta T	25	25	24	20	26	25	24	21	26	25	24	21	26	25	24	21	26	25	24	21	24	23	22	19
	kW	6.63	6.76	6.94	7.14	7.08	7.22	7.42	7.64	7.48	7.63	7.85	8.08	7.83	7.99	8.22	8.47	8.13	8.29	8.54	8.80	8.39	8.56	8.82	9.09
	Amps	8.9	9.1	9.4	9.7	9.5	9.7	10.0	10.3	10.3	10.5	10.8	11.2	10.9	11.1	11.5	11.8	11.5	11.8	12.1	12.5	12.1	12.4	12.8	13.2
	HI PR	219	235	249	259	246	264	279	291	279	301	317	331	318	342	361	377	358	385	407	424	395	425	449	469
LO PR	103	110	120	128	109	116	127	135	113	120	132	140	119	127	138	147	125	133	145	154	129	137	150	159	
85	MBh	93.2	95.0	99.5	106.1	91.0	92.8	97.2	103.7	88.8	90.6	94.8	101.2	86.7	88.4	92.5	98.7	82.3	83.9	87.9	93.8	76.3	77.8	81.4	86.9
	S/T	0.88	0.84	0.76	0.62	0.91	0.88	0.79	0.64	0.93	0.90	0.81	0.66	0.96	0.93	0.84	0.68	1.00	0.96	0.87	0.70	1.00	0.97	0.87	0.71
	Delta T	25	25	23	20	25	25	24	20	25	25	24	20	25	25	24	21	25	25	23	20	23	23	22	19
	kW	6.77	6.90	7.10	7.30	7.24	7.38	7.59	7.82	7.65	7.80	8.03	8.27	8.01	8.17	8.42	8.67	8.32	8.49	8.75	9.02	8.58	8.76	9.03	9.31
	Amps	9.1	9.3	9.6	9.9	9.8	10.0	10.3	10.6	10.5	10.7	11.1	11.4	11.2	11.4	11.7	12.1	11.8	12.1	12.4	12.9	12.4	12.7	13.1	13.6
	HI PR	226	243	256	267	253	272	288	300	288	310	327	341	328	353	373	389	369	397	419	437	408	439	463	483
LO PR	106	113	123	131	112	119	130	139	117	124	136	144	123	130	142	152	129	137	149	159	133	141	154	164	
3367	MBh	96.0	97.8	102.5	109.3	93.7	95.6	100.1	106.8	91.5	93.3	97.7	104.2	89.3	91.0	95.3	101.7	84.8	86.5	90.5	96.6	78.6	80.1	83.9	89.5
	S/T	0.92	0.89	0.80	0.65	0.95	0.92	0.83	0.67	0.98	0.94	0.85	0.69	1.00	0.97	0.88	0.71	1.00	1.00	0.91	0.74	1.00	1.00	0.92	0.74
	Delta T	24	24	22	19	24	24	23	20	24	24	23	20	24	24	23	20	23	24	22	19	21	22	21	18
	kW	6.82	6.95	7.15	7.36	7.29	7.43	7.65	7.88	7.71	7.86	8.09	8.34	8.07	8.23	8.48	8.74	8.38	8.55	8.81	9.09	8.65	8.83	9.10	9.38
	Amps	9.2	9.4	9.7	10.0	9.8	10.1	10.4	10.7	10.6	10.8	11.2	11.5	11.3	11.5	11.8	12.3	11.9	12.2	12.5	13.0	12.5	12.8	13.2	13.7
	HI PR	228	245	259	270	256	275	291	303	291	313	330	345	331	356	376	392	373	401	423	442	412	443	468	488
LO PR	107	114	125	133	113	121	132	140	118	125	137	146	124	132	144	153	130	138	151	161	134	143	156	166	

IDB: Entering Indoor Dry Bulb Temperature
 High and low pressures are measured at the liquid and suction service valves.
 Shaded area reflects AHRI conditions
 Amps = outdoor unit amps (comp.+fan)
 kW = Total system power

IDB	AIRFLOW	OUTDOOR AMBIENT TEMPERATURE																							
		65°F				75°F				85°F				95°F				105°F				115°F			
		59	63	67	71	59	63	67	71	59	63	67	71	59	63	67	71	59	63	67	71	59	63	67	71
70	MBh	105.4	109.2	119.7	-	102.9	106.7	116.9	-	100.5	104.1	114.1	-	98.0	101.6	111.3	-	93.1	96.5	105.7	-	86.3	89.4	98.0	-
	S/T	0.67	0.56	0.39	-	0.69	0.58	0.40	-	0.71	0.59	0.41	-	0.73	0.61	0.42	-	0.76	0.64	0.44	-	0.77	0.64	0.44	-
	Delta T	19	17	13	-	20	17	13	-	20	17	13	-	20	17	13	-	20	17	13	-	18	16	12	-
	kW	7.99	8.14	8.38	-	8.56	8.73	8.99	-	9.06	9.25	9.53	-	9.50	9.70	10.00	-	9.88	10.09	10.40	-	10.21	10.42	10.75	-
	Amps	21.4	21.9	22.6	-	23.0	23.5	24.2	-	24.9	25.4	26.2	-	26.4	27.1	27.9	-	28.0	28.7	29.6	-	29.6	30.3	31.3	-
	HI PR	225	242	255	-	252	271	287	-	287	309	326	-	327	352	371	-	367	395	418	-	406	437	461	-
	LO PR	101	107	117	-	106	113	124	-	111	118	128	-	116	124	135	-	122	129	141	-	126	134	146	-
	MBh	114.2	118.3	129.6	-	111.5	115.6	126.6	-	108.9	112.8	123.6	-	106.2	110.1	120.6	-	100.9	104.6	114.6	-	93.5	96.9	106.1	-
	S/T	0.69	0.58	0.40	-	0.72	0.60	0.42	-	0.74	0.62	0.43	-	0.76	0.64	0.44	-	0.79	0.66	0.46	-	0.80	0.67	0.46	-
	Delta T	19	17	13	-	19	17	13	-	19	17	13	-	20	17	13	-	19	17	13	-	18	16	12	-
kW	8.17	8.33	8.58	-	8.76	8.93	9.20	-	9.28	9.47	9.76	-	9.73	9.94	10.25	-	10.12	10.34	10.66	-	10.46	10.68	11.02	-	
Amps	22.0	22.5	23.1	-	23.6	24.1	24.9	-	25.5	26.1	26.9	-	27.1	27.8	28.6	-	28.8	29.5	30.4	-	30.4	31.1	32.1	-	
HI PR	232	249	263	-	260	280	295	-	296	318	336	-	337	362	383	-	379	408	431	-	419	450	476	-	
LO PR	104	110	121	-	110	117	127	-	114	121	132	-	120	127	139	-	125	133	146	-	130	138	151	-	
MBh	117.6	121.9	133.5	-	114.9	119.0	130.4	-	112.1	116.2	127.3	-	109.4	113.4	124.2	-	103.9	107.7	118.0	-	96.3	99.8	109.3	-	
S/T	0.73	0.61	0.42	-	0.75	0.63	0.44	-	0.77	0.65	0.45	-	0.80	0.67	0.46	-	0.83	0.69	0.48	-	0.84	0.70	0.48	-	
ΔT	18	16	12	-	19	16	12	-	19	16	12	-	19	16	12	-	19	16	12	-	17	15	11	-	
kW	8.22	8.39	8.64	-	8.82	9.00	9.28	-	9.35	9.54	9.83	-	9.81	10.02	10.33	-	10.20	10.42	10.75	-	10.54	10.77	11.11	-	
Amps	22.2	22.6	23.3	-	23.8	24.3	25.1	-	25.7	26.3	27.1	-	27.4	28.0	28.9	-	29.0	29.7	30.7	-	30.7	31.4	32.4	-	
HI PR	234	252	266	-	263	283	298	-	299	321	339	-	340	366	387	-	383	412	435	-	423	455	480	-	
LO PR	105	112	122	-	111	118	129	-	115	122	134	-	121	129	140	-	127	135	147	-	131	139	152	-	

75	MBh	107.2	110.3	119.4	128.2	104.7	107.8	116.6	125.2	102.2	105.2	113.9	122.2	99.7	102.6	111.1	119.2	94.7	97.5	105.5	113.3	87.7	90.3	97.8	104.9
	S/T	0.76	0.68	0.51	0.33	0.79	0.71	0.53	0.34	0.81	0.72	0.55	0.35	0.83	0.75	0.56	0.36	0.87	0.77	0.59	0.38	0.87	0.78	0.59	0.38
	Delta T	22	21	17	12	23	21	17	12	23	21	17	12	23	21	17	12	23	21	17	12	21	19	16	11
	kW	8.05	8.21	8.45	8.70	8.62	8.80	9.06	9.34	9.13	9.32	9.60	9.90	9.58	9.78	10.08	10.40	9.96	10.17	10.49	10.83	10.29	10.51	10.84	11.19
	Amps	21.6	22.1	22.8	23.5	23.2	23.7	24.5	25.3	25.1	25.6	26.4	27.4	26.7	27.3	28.1	29.1	28.3	28.9	29.8	30.9	29.9	30.6	31.5	32.7
	HI PR	227	244	258	269	255	274	289	302	290	312	329	343	330	355	375	391	371	400	422	440	410	441	466	486
	LO PR	102	108	118	126	107	114	125	133	112	119	130	138	117	125	136	145	123	131	143	152	127	135	148	157
	MBh	116.1	119.5	129.4	138.9	113.4	116.8	126.4	135.6	110.7	114.0	123.4	132.4	108.0	111.2	120.4	129.2	102.6	105.6	114.3	122.7	95.0	97.9	105.9	113.7
	S/T	0.79	0.71	0.53	0.34	0.82	0.73	0.55	0.36	0.84	0.75	0.57	0.37	0.87	0.77	0.59	0.38	0.90	0.80	0.61	0.39	0.91	0.81	0.61	0.39
	Delta T	22	20	17	12	22	21	17	12	22	21	17	12	23	21	17	12	22	21	17	12	21	19	16	11
kW	8.23	8.39	8.64	8.90	8.82	9.00	9.28	9.56	9.35	9.54	9.84	10.15	9.81	10.02	10.33	10.66	10.20	10.42	10.75	11.09	10.54	10.77	11.11	11.47	
Amps	22.2	22.7	23.3	24.1	23.8	24.4	25.1	26.0	25.7	26.3	27.1	28.1	27.4	28.0	28.9	29.9	29.0	29.7	30.7	31.8	30.7	31.4	32.4	33.6	
HI PR	234	252	266	277	263	283	298	311	299	321	339	354	340	366	387	403	383	412	435	454	423	455	481	501	
LO PR	105	112	122	130	111	118	129	137	115	123	134	142	121	129	140	150	127	135	147	157	131	139	152	162	
MBh	119.6	123.1	133.3	143.0	116.8	120.3	130.2	139.7	114.0	117.4	127.1	136.4	111.2	114.5	124.0	133.1	105.7	108.8	117.8	126.4	97.9	100.8	109.1	117.1	
S/T	0.83	0.74	0.56	0.36	0.86	0.77	0.58	0.37	0.88	0.79	0.60	0.38	0.91	0.81	0.61	0.40	0.94	0.84	0.64	0.41	0.95	0.85	0.64	0.41	
Delta T	21	20	16	11	22	20	16	11	22	20	16	11	22	20	16	11	21	20	16	11	20	18	15	10	
kW	8.29	8.46	8.71	8.97	8.89	9.07	9.35	9.64	9.42	9.62	9.91	10.23	9.89	10.10	10.41	10.74	10.29	10.50	10.84	11.18	10.63	10.86	11.20	11.56	
Amps	22.3	22.8	23.5	24.3	24.0	24.6	25.3	26.2	26.0	26.5	27.4	28.3	27.6	28.3	29.1	30.2	29.3	30.0	30.9	32.0	30.9	31.7	32.7	33.9	
HI PR	236	254	269	280	265	285	301	314	302	325	343	358	344	370	390	407	387	416	439	458	427	460	485	506	
LO PR	106	113	123	131	112	119	130	138	116	124	135	144	122	130	142	151	128	136	149	158	132	141	154	164	

IDB: Entering Indoor Dry Bulb Temperature
 High and low pressures are measured at the liquid and suction service valves.
 Shaded area reflects ACCA (TVA) conditions
 Amps = outdoor unit amps (comp.+fan)
 kW = Total system power

IDB	AIRFLOW	OUTDOOR AMBIENT TEMPERATURE																									
		65°F				75°F				85°F				95°F				105°F				115°F					
		59	63	67	71	59	63	67	71	59	63	67	71	59	63	67	71	59	63	67	71	59	63	67	71		
80	3333	MBh	109.1	111.4	119.1	127.3	106.5	108.9	116.3	124.3	104.0	106.3	113.5	121.4	101.5	103.7	110.8	118.4	96.4	98.5	105.2	112.5	89.3	91.2	97.5	104.2	
		S/T	0.83	0.78	0.64	0.48	0.86	0.81	0.66	0.49	0.89	0.83	0.68	0.51	0.92	0.86	0.70	0.52	0.95	0.89	0.73	0.54	0.96	0.90	0.73	0.55	
		Delta T	25	24	21	17	25	24	21	17	25	24	21	17	26	25	21	17	25	24	21	17	24	23	20	16	
		kW	8.11	8.27	8.51	8.77	8.69	8.86	9.13	9.41	9.20	9.39	9.68	9.98	9.66	9.86	10.16	10.49	10.37	10.04	10.25	10.57	10.91	10.37	10.59	10.93	11.28
		Amps	21.8	22.3	22.9	23.7	23.4	23.9	24.7	25.5	25.3	25.9	26.7	27.6	26.9	27.5	28.4	29.4	28.5	29.2	30.1	31.2	30.1	30.8	31.8	33.0	
	HI PR	229	247	261	272	257	277	292	305	293	315	333	347	333	359	379	395	375	404	426	444	414	446	471	491		
	LO PR	103	109	119	127	109	115	126	134	113	120	131	140	119	126	138	147	124	132	144	154	128	137	149	159		
	MBh	118.2	120.7	129.0	137.9	115.4	117.9	126.0	134.7	112.7	115.1	123.0	131.5	109.9	112.3	120.0	128.3	104.4	106.7	114.0	121.9	96.7	98.8	105.6	112.9		
	S/T	0.87	0.81	0.66	0.49	0.90	0.84	0.68	0.51	0.92	0.86	0.70	0.52	0.95	0.89	0.72	0.54	0.99	0.92	0.75	0.56	0.99	0.93	0.76	0.57		
	Delta T	25	24	21	16	25	24	21	17	25	24	21	17	25	24	21	17	25	24	21	17	23	22	19	15		
kW	8.29	8.46	8.71	8.97	8.89	9.07	9.35	9.64	9.42	9.62	9.91	10.23	9.89	10.10	10.41	10.74	10.29	10.50	10.84	11.19	10.63	10.86	11.20	11.57			
Amps	22.3	22.8	23.5	24.3	24.0	24.6	25.3	26.2	26.0	26.5	27.4	28.3	27.6	28.3	29.2	30.2	29.3	30.0	30.9	32.0	30.9	31.7	32.7	33.9			
HI PR	236	254	269	280	265	285	301	314	302	325	343	358	344	370	391	407	387	416	439	458	427	460	485	506			
LO PR	106	113	123	131	112	119	130	138	116	124	135	144	122	130	142	151	128	136	149	158	132	141	154	164			
MBh	121.7	124.4	132.9	142.0	118.9	121.5	129.8	138.7	116.0	118.6	126.7	135.4	113.2	115.7	123.6	132.1	107.6	109.9	117.4	125.5	99.6	101.8	108.8	116.3			
S/T	0.91	0.85	0.69	0.52	0.94	0.88	0.72	0.54	0.96	0.90	0.74	0.55	1.00	0.93	0.76	0.57	1.00	0.97	0.79	0.59	1.00	1.00	0.80	0.59			
Delta T	24	23	20	16	24	23	20	16	24	23	20	16	24	23	20	16	23	23	20	16	21	22	19	15			
kW	8.35	8.52	8.78	9.04	8.96	9.14	9.42	9.71	9.50	9.69	9.99	10.31	9.97	10.18	10.50	10.83	10.37	10.59	10.92	11.28	10.71	10.94	11.29	11.66			
Amps	22.5	23.0	23.7	24.6	24.2	24.8	25.5	26.4	26.2	26.8	27.6	28.6	27.9	28.5	29.4	30.5	29.6	30.2	31.2	32.3	31.2	31.9	33.0	34.2			
HI PR	239	257	271	283	268	288	304	318	305	328	346	361	347	374	394	411	390	420	444	463	431	464	490	511			
LO PR	107	114	124	132	113	120	131	140	117	125	136	145	123	131	143	153	129	138	150	160	134	142	155	165			

85	3333	MBh	111.0	113.1	118.5	126.4	108.4	110.5	115.7	123.5	105.8	107.9	113.0	120.5	103.2	105.2	110.2	117.6	98.1	100.0	104.7	111.7	90.8	92.6	97.0	103.5
		S/T	0.87	0.84	0.76	0.62	0.91	0.87	0.79	0.64	0.93	0.90	0.81	0.66	0.96	0.93	0.84	0.68	1.00	0.96	0.87	0.70	1.00	0.97	0.87	0.71
		Delta T	27	26	25	22	27	27	25	22	27	27	25	22	27	27	25	22	27	26	25	22	25	25	23	20
		kW	8.17	8.33	8.58	8.83	8.75	8.93	9.20	9.49	9.27	9.46	9.76	10.06	9.73	9.93	10.24	10.57	10.12	10.33	10.66	11.00	10.46	10.68	11.02	11.37
		Amps	22.0	22.5	23.1	23.9	23.6	24.1	24.9	25.7	25.5	26.1	26.9	27.8	27.1	27.8	28.6	29.7	28.8	29.4	30.4	31.5	30.4	31.1	32.1	33.3
	HI PR	232	249	263	275	260	280	295	308	296	318	336	350	337	362	383	399	379	408	430	449	418	450	476	496	
	LO PR	104	110	121	128	110	117	127	136	114	121	132	141	120	127	139	148	125	133	146	155	130	138	151	160	
	MBh	120.2	122.6	128.4	136.9	117.4	119.7	125.4	133.8	114.6	116.9	122.4	130.6	111.8	114.0	119.4	127.4	106.2	108.3	113.4	121.0	98.4	100.3	105.1	112.1	
	S/T	0.91	0.88	0.79	0.64	0.94	0.91	0.82	0.66	0.96	0.93	0.84	0.68	1.00	0.96	0.87	0.70	1.00	1.00	0.90	0.73	1.00	1.00	0.91	0.74	
	Delta T	26	26	25	21	27	26	25	21	27	26	25	22	27	26	25	22	26	26	25	21	24	24	23	20	
kW	8.35	8.52	8.78	9.04	8.96	9.14	9.42	9.71	9.50	9.69	9.99	10.31	9.97	10.18	10.50	10.83	10.37	10.59	10.92	11.28	10.71	10.94	11.29	11.66		
Amps	22.5	23.0	23.7	24.6	24.2	24.8	25.5	26.4	26.2	26.8	27.6	28.6	27.9	28.5	29.4	30.5	29.6	30.2	31.2	32.3	31.2	31.9	33.0	34.2		
HI PR	239	257	271	283	268	288	304	318	305	328	346	361	347	374	394	411	390	420	444	463	431	464	490	511		
LO PR	107	114	124	132	113	120	131	140	117	125	136	145	123	131	143	153	129	138	150	160	134	142	155	165		
MBh	123.8	126.2	132.2	141.0	121.0	123.3	129.1	137.8	118.1	120.4	126.1	134.5	115.2	117.4	123.0	131.2	109.4	111.6	116.8	124.6	101.4	103.3	108.2	115.5		
S/T	0.95	0.92	0.83	0.67	0.99	0.95	0.86	0.70	1.00	0.98	0.88	0.71	1.00	1.00	0.91	0.74	1.00	1.00	0.94	0.77	1.00	1.00	0.95	0.77		
Delta T	25	25	24	20	26	25	24	21	25	25	24	21	25	25	24	21	24	24	24	21	22	22	22	19		
kW	8.42	8.59	8.84	9.11	9.03	9.21	9.49	9.79	9.57	9.77	10.07	10.39	10.05	10.26	10.58	10.92	10.45	10.67	11.01	11.37	10.80	11.03	11.38	11.76		
Amps	22.7	23.2	23.9	24.8	24.4	25.0	25.7	26.6	26.4	27.0	27.8	28.8	28.1	28.8	29.7	30.7	29.8	30.5	31.5	32.6	31.5	32.2	33.3	34.5		
HI PR	241	260	274	286	271	291	308	321	308	331	350	365	351	377	398	415	394	424	448	467	436	469	495	516		
LO PR	108	115	126	134	114	121	133	141	119	126	138	147	125	133	145	154	131	139	152	162	135	144	157	167		

IDB: Entering Indoor Dry Bulb Temperature
 High and low pressures are measured at the liquid and suction service valves.
 Shaded area reflects AHRI conditions
 Amps = outdoor unit amps (comp.+fan)
 kW = Total system power

IDB	AIRFLOW	OUTDOOR AMBIENT TEMPERATURE																							
		65°F				75°F				85°F				95°F				105°F				115°F			
		59	63	67	71	59	63	67	71	59	63	67	71	59	63	67	71	59	63	67	71	59	63	67	71
70	MBh	101.9	105.6	115.7	-	99.5	103.1	113.0	-	97.1	100.7	110.3	-	94.8	98.2	107.6	-	90.0	93.3	102.2	-	83.4	86.4	94.7	-
	S/T	0.62	0.51	0.36	-	0.64	0.53	0.37	-	0.66	0.55	0.38	-	0.68	0.56	0.39	-	0.70	0.59	0.41	-	0.71	0.59	0.41	-
	Delta T	17	15	11	-	18	15	12	-	18	15	12	-	18	15	12	-	17	15	11	-	16	14	11	-
	kW	7.72	7.88	8.11	-	8.28	8.45	8.71	-	8.78	8.96	9.24	-	9.22	9.41	9.71	-	9.59	9.79	10.10	-	9.91	10.12	10.45	-
	Amps	21.3	21.8	22.5	-	22.9	23.4	24.1	-	24.7	25.3	26.1	-	26.3	26.9	27.8	-	27.9	28.5	29.4	-	29.4	30.1	31.1	-
	HI PR	222	238	252	-	249	268	283	-	283	304	321	-	322	347	366	-	362	390	412	-	400	431	455	-
	LO PR	101	107	117	-	106	113	124	-	111	118	129	-	116	124	135	-	122	130	141	-	126	134	146	-
	MBh	110.4	114.4	125.3	-	107.8	111.7	122.4	-	105.2	109.1	119.5	-	102.7	106.4	116.6	-	97.5	101.1	110.8	-	90.3	93.6	102.6	-
	S/T	0.64	0.53	0.37	-	0.66	0.55	0.38	-	0.68	0.57	0.39	-	0.70	0.59	0.41	-	0.73	0.61	0.42	-	0.73	0.61	0.42	-
	Delta T	17	15	11	-	17	15	11	-	17	15	11	-	17	15	11	-	17	15	11	-	16	14	11	-
kW	7.90	8.06	8.30	-	8.48	8.66	8.92	-	8.99	9.18	9.47	-	9.44	9.64	9.95	-	9.83	10.04	10.36	-	10.16	10.38	10.71	-	
Amps	21.9	22.4	23.0	-	23.5	24.0	24.8	-	25.4	26.0	26.8	-	27.0	27.6	28.5	-	28.6	29.3	30.2	-	30.2	30.9	31.9	-	
HI PR	228	246	260	-	256	276	291	-	292	314	331	-	332	357	377	-	374	402	424	-	413	444	469	-	
LO PR	104	111	121	-	110	117	127	-	114	121	132	-	120	127	139	-	126	134	146	-	130	138	151	-	
MBh	113.7	117.8	129.1	-	111.0	115.1	126.1	-	108.4	112.3	123.1	-	105.7	109.6	120.1	-	100.5	104.1	114.1	-	93.1	96.4	105.7	-	
S/T	0.67	0.56	0.39	-	0.69	0.58	0.40	-	0.71	0.60	0.41	-	0.74	0.61	0.43	-	0.76	0.64	0.44	-	0.77	0.64	0.45	-	
ΔT	16	14	11	-	17	14	11	-	17	14	11	-	17	15	11	-	17	14	11	-	15	13	10	-	
kW	7.96	8.12	8.37	-	8.55	8.72	8.99	-	9.06	9.25	9.54	-	9.52	9.72	10.03	-	9.91	10.12	10.44	-	10.24	10.46	10.80	-	
Amps	22.1	22.6	23.2	-	23.7	24.2	25.0	-	25.6	26.2	27.0	-	27.2	27.9	28.7	-	28.9	29.6	30.5	-	30.5	31.2	32.2	-	
HI PR	231	248	262	-	259	279	294	-	294	317	335	-	335	361	381	-	377	406	429	-	417	449	474	-	
LO PR	105	112	122	-	111	118	129	-	115	123	134	-	121	129	141	-	127	135	147	-	131	140	152	-	

75	MBh	103.6	106.7	115.4	123.9	101.2	104.2	112.8	121.0	98.8	101.7	110.1	118.1	96.4	99.2	107.4	115.3	91.5	94.3	102.0	109.5	84.8	87.3	94.5	101.4
	S/T	0.70	0.63	0.47	0.31	0.73	0.65	0.49	0.32	0.74	0.67	0.50	0.32	0.77	0.69	0.52	0.33	0.80	0.71	0.54	0.35	0.80	0.72	0.54	0.35
	Delta T	20	18	15	10	20	19	15	11	20	19	15	11	20	19	15	11	20	19	15	10	19	17	14	10
	kW	7.78	7.94	8.18	8.43	8.35	8.52	8.78	9.06	8.85	9.03	9.32	9.61	9.29	9.49	9.79	10.10	9.67	9.87	10.19	10.52	9.99	10.21	10.53	10.88
	Amps	21.5	22.0	22.7	23.4	23.1	23.6	24.3	25.2	25.0	25.5	26.3	27.2	26.5	27.2	28.0	29.0	28.1	28.8	29.7	30.8	29.7	30.4	31.4	32.5
	HI PR	224	241	254	265	251	270	285	298	286	307	325	339	325	350	370	386	366	394	416	434	404	435	460	479
	LO PR	102	108	118	126	108	114	125	133	112	119	130	138	117	125	136	145	123	131	143	152	127	135	148	157
	MBh	112.2	115.6	125.1	134.2	109.6	112.9	122.2	131.1	107.0	110.2	119.3	128.0	104.4	107.5	116.3	124.9	99.2	102.1	110.5	118.6	91.9	94.6	102.4	109.9
	S/T	0.73	0.65	0.49	0.32	0.75	0.67	0.51	0.33	0.77	0.69	0.52	0.34	0.80	0.71	0.54	0.35	0.83	0.74	0.56	0.36	0.83	0.75	0.56	0.36
	Delta T	20	18	15	10	20	18	15	10	20	18	15	10	20	19	15	10	20	18	15	10	19	17	14	10
kW	7.96	8.12	8.37	8.63	8.55	8.72	8.99	9.28	9.06	9.25	9.54	9.85	9.52	9.72	10.03	10.35	9.91	10.12	10.44	10.78	10.24	10.46	10.80	11.15	
Amps	22.1	22.6	23.2	24.0	23.7	24.2	25.0	25.8	25.6	26.2	27.0	28.0	27.3	27.9	28.7	29.8	28.9	29.6	30.5	31.6	30.5	31.2	32.2	33.4	
HI PR	231	248	262	274	259	279	294	307	294	317	335	349	335	361	381	398	377	406	429	447	417	449	474	494	
LO PR	105	112	122	130	111	118	129	137	115	123	134	143	121	129	141	150	127	135	147	157	131	140	152	162	
MBh	115.6	119.0	128.8	138.3	112.9	116.3	125.8	135.0	110.2	113.5	122.8	131.8	107.5	110.7	119.8	128.6	102.2	105.2	113.8	122.2	94.6	97.4	105.5	113.2	
S/T	0.76	0.68	0.52	0.33	0.79	0.71	0.53	0.34	0.81	0.72	0.55	0.35	0.84	0.75	0.57	0.36	0.87	0.78	0.59	0.38	0.87	0.78	0.59	0.38	
Delta T	19	17	14	10	19	18	15	10	19	18	15	10	19	18	15	10	19	18	14	10	18	16	13	9	
kW	8.02	8.19	8.43	8.69	8.61	8.79	9.06	9.35	9.14	9.33	9.62	9.93	9.60	9.80	10.11	10.44	9.99	10.20	10.53	10.87	10.32	10.55	10.89	11.25	
Amps	22.3	22.7	23.4	24.2	23.9	24.4	25.2	26.1	25.8	26.4	27.2	28.2	27.5	28.1	29.0	30.0	29.1	29.8	30.8	31.9	30.8	31.5	32.5	33.7	
HI PR	233	251	265	276	262	281	297	310	297	320	338	353	339	365	385	402	381	410	433	452	421	453	479	499	
LO PR	106	113	123	131	112	119	130	139	116	124	135	144	122	130	142	151	128	136	149	158	133	141	154	164	

IDB: Entering Indoor Dry Bulb Temperature
 High and low pressures are measured at the liquid and suction service valves.
 Shaded area reflects ACCA (TVA) conditions
 Amps = outdoor unit amps (comp.+fan)
 kW = Total system power

EXPANDED COOLING DATA — DX11TA1203A* / (2) CA*F4961*6D*+TXV (CONT.)

IDB	AIRFLOW	OUTDOOR AMBIENT TEMPERATURE																							
		65°F				75°F				85°F				95°F				105°F				115°F			
		59	63	67	71	59	63	67	71	59	63	67	71	59	63	67	71	59	63	67	71	59	63	67	71
80	MBh	105.4	107.7	115.1	123.0	103.0	105.2	112.4	120.2	100.5	102.7	109.7	117.3	98.1	100.2	107.1	114.5	93.2	95.2	101.7	108.7	86.3	88.2	94.2	100.7
	S/T	0.77	0.72	0.59	0.44	0.80	0.75	0.61	0.45	0.82	0.77	0.62	0.47	0.84	0.79	0.64	0.48	0.88	0.82	0.67	0.50	0.88	0.83	0.67	0.50
	Delta T	22	21	19	15	23	22	19	15	23	22	19	15	23	22	19	15	22	21	18	15	21	20	18	14
	kW	7.84	8.00	8.24	8.49	8.41	8.59	8.85	9.13	8.92	9.11	9.39	9.69	9.37	9.56	9.87	10.18	9.75	9.95	10.27	10.61	10.07	10.29	10.62	10.97
	Amps	21.7	22.2	22.8	23.6	23.3	23.8	24.6	25.4	25.2	25.7	26.5	27.5	26.8	27.4	28.2	29.2	28.4	29.0	30.0	31.0	30.0	30.7	31.6	32.8
	HI PR	226	243	257	268	254	273	288	301	289	311	328	342	329	354	373	390	370	398	420	438	408	440	464	484
	LO PR	103	109	119	127	109	116	126	134	113	120	131	140	119	126	138	147	124	132	144	154	129	137	149	159
	MBh	114.2	116.7	124.7	133.3	111.6	114.0	121.8	130.2	108.9	111.3	118.9	127.1	106.3	108.6	116.0	124.0	100.9	103.1	110.2	117.8	93.5	95.5	102.1	109.1
	S/T	0.80	0.75	0.61	0.45	0.83	0.77	0.63	0.47	0.85	0.79	0.65	0.48	0.87	0.82	0.67	0.50	0.91	0.85	0.69	0.52	0.92	0.86	0.70	0.52
	Delta T	22	21	18	15	22	21	19	15	22	21	19	15	22	21	19	15	22	21	18	15	21	20	17	14
kW	8.02	8.19	8.43	8.69	8.62	8.79	9.06	9.35	9.14	9.33	9.62	9.93	9.60	9.80	10.11	10.44	9.99	10.20	10.53	10.87	10.32	10.55	10.89	11.25	
Amps	22.3	22.7	23.4	24.2	23.9	24.4	25.2	26.1	25.8	26.4	27.2	28.2	27.5	28.1	29.0	30.0	29.1	29.8	30.8	31.9	30.8	31.5	32.5	33.7	
HI PR	233	251	265	276	262	281	297	310	297	320	338	353	339	365	385	402	381	410	433	452	421	453	479	499	
LO PR	106	113	123	131	112	119	130	139	116	124	135	144	122	130	142	151	128	136	149	158	133	141	154	164	
MBh	117.7	120.2	128.4	137.3	114.9	117.4	125.5	134.1	112.2	114.6	122.5	130.9	109.4	111.8	119.5	127.7	104.0	106.2	113.5	121.3	96.3	98.4	105.1	112.4	
S/T	0.84	0.78	0.64	0.48	0.87	0.81	0.66	0.49	0.89	0.83	0.68	0.51	0.92	0.86	0.70	0.52	0.95	0.89	0.73	0.54	0.96	0.90	0.73	0.55	
Delta T	21	20	18	14	21	21	18	14	21	21	18	14	22	21	18	14	21	20	18	14	20	19	17	13	
kW	8.09	8.25	8.50	8.76	8.68	8.86	9.14	9.42	9.21	9.40	9.70	10.01	9.67	9.88	10.19	10.52	10.07	10.29	10.62	10.96	10.41	10.64	10.98	11.34	
Amps	22.4	22.9	23.6	24.4	24.1	24.7	25.4	26.3	26.1	26.6	27.5	28.4	27.7	28.4	29.3	30.3	29.4	30.1	31.0	32.2	31.1	31.8	32.8	34.0	
HI PR	235	253	268	279	264	284	300	313	300	323	341	356	342	368	389	406	385	414	437	456	425	458	483	504	
LO PR	107	114	124	132	113	120	131	140	118	125	137	145	123	131	143	153	129	138	150	160	134	142	155	166	

85	MBh	107.3	109.3	114.5	122.2	104.8	106.8	111.9	119.3	102.3	104.3	109.2	116.5	99.8	101.7	106.5	113.7	94.8	96.6	101.2	108.0	87.8	89.5	93.7	100.0
	S/T	0.81	0.78	0.70	0.57	0.84	0.81	0.73	0.59	0.86	0.83	0.75	0.61	0.88	0.85	0.77	0.62	0.92	0.89	0.80	0.65	0.93	0.89	0.81	0.65
	Delta T	24	23	22	19	24	24	22	19	24	24	22	19	24	24	23	20	24	24	22	19	22	22	21	18
	kW	7.90	8.06	8.30	8.56	8.48	8.65	8.92	9.20	8.99	9.18	9.46	9.77	9.44	9.64	9.95	10.27	9.82	10.03	10.35	10.69	10.15	10.37	10.71	11.06
	Amps	21.9	22.4	23.0	23.8	23.5	24.0	24.8	25.6	25.4	26.0	26.8	27.7	27.0	27.6	28.5	29.5	28.6	29.3	30.2	31.3	30.2	30.9	31.9	33.1
	HI PR	228	246	260	271	256	276	291	304	291	314	331	345	332	357	377	393	373	402	424	443	413	444	469	489
	LO PR	104	110	121	128	110	117	127	136	114	121	132	141	120	127	139	148	126	134	146	155	130	138	151	161
	MBh	116.2	118.5	124.1	132.4	113.5	115.7	121.2	129.3	110.8	113.0	118.3	126.2	108.1	110.2	115.4	123.1	102.7	104.7	109.6	117.0	95.1	97.0	101.6	108.4
	S/T	0.84	0.81	0.73	0.59	0.87	0.84	0.75	0.61	0.89	0.86	0.77	0.63	0.92	0.88	0.80	0.65	0.95	0.92	0.83	0.67	0.96	0.93	0.84	0.68
	Delta T	23	23	22	19	24	23	22	19	24	23	22	19	24	24	22	19	24	23	22	19	22	22	21	18
kW	8.09	8.25	8.50	8.76	8.68	8.86	9.14	9.42	9.21	9.40	9.70	10.01	9.67	9.88	10.19	10.52	10.07	10.29	10.62	10.96	10.41	10.64	10.98	11.34	
Amps	22.4	22.9	23.6	24.4	24.1	24.7	25.4	26.3	26.1	26.6	27.5	28.4	27.7	28.4	29.3	30.3	29.4	30.1	31.0	32.2	31.1	31.8	32.8	34.0	
HI PR	235	253	268	279	264	284	300	313	300	323	341	356	342	368	389	406	385	414	437	456	425	458	483	504	
LO PR	107	114	124	132	113	120	131	140	118	125	137	145	123	131	143	153	129	138	150	160	134	142	155	166	
MBh	119.7	122.0	127.8	136.3	116.9	119.2	124.8	133.2	114.1	116.3	121.9	130.0	111.4	113.5	118.9	126.8	105.8	107.8	112.9	120.5	98.0	99.9	104.6	111.6	
S/T	0.88	0.85	0.76	0.62	0.91	0.88	0.79	0.64	0.93	0.90	0.81	0.66	0.96	0.93	0.84	0.68	1.00	0.96	0.87	0.70	1.00	0.97	0.88	0.71	
Delta T	23	22	21	18	23	23	21	18	23	23	21	18	23	23	21	18	23	22	21	18	21	21	20	17	
kW	8.15	8.31	8.57	8.83	8.75	8.93	9.21	9.50	9.28	9.48	9.78	10.09	9.75	9.96	10.28	10.61	10.15	10.37	10.70	11.05	10.49	10.72	11.07	11.44	
Amps	22.6	23.1	23.8	24.6	24.3	24.9	25.6	26.5	26.3	26.9	27.7	28.7	28.0	28.6	29.5	30.6	29.7	30.3	31.3	32.4	31.3	32.1	33.1	34.3	
HI PR	238	256	270	282	267	287	303	316	303	327	345	360	346	372	393	410	389	418	442	461	430	462	488	509	
LO PR	108	115	126	134	114	122	133	141	119	126	138	147	125	133	145	154	131	139	152	162	135	144	157	167	

IDB: Entering Indoor Dry Bulb Temperature
 High and low pressures are measured at the liquid and suction service valves.
 Shaded area reflects AHRI conditions
 Amps = outdoor unit amps (comp.+fan)
 kW = Total system power

IDB	AIRFLOW	OUTDOOR AMBIENT TEMPERATURE																							
		65°F				75°F				85°F				95°F				105°F				115°F			
		59	63	67	71	59	63	67	71	59	63	67	71	59	63	67	71	59	63	67	71	59	63	67	71
70	MBh	105.4	109.2	119.7	-	102.9	106.7	116.9	-	100.5	104.1	114.1	-	98.0	101.6	111.3	-	93.1	96.5	105.7	-	86.3	89.4	98.0	-
	S/T	0.67	0.56	0.39	-	0.69	0.58	0.40	-	0.71	0.59	0.41	-	0.73	0.61	0.42	-	0.76	0.64	0.44	-	0.77	0.64	0.44	-
	Delta T	19	17	13	-	20	17	13	-	20	17	13	-	20	17	13	-	20	17	13	-	18	16	12	-
	kW	7.99	8.14	8.38	-	8.56	8.73	8.99	-	9.06	9.25	9.53	-	9.50	9.70	10.00	-	9.88	10.09	10.40	-	10.21	10.42	10.75	-
	Amps	10.7	11.0	11.3	-	11.5	11.8	12.1	-	12.4	12.7	13.1	-	13.2	13.5	13.9	-	14.0	14.3	14.8	-	14.8	15.1	15.6	-
	HI PR	225	242	255	-	252	271	287	-	287	309	326	-	327	352	371	-	367	395	418	-	406	437	461	-
	LO PR	101	107	117	-	106	113	124	-	111	118	128	-	116	124	135	-	122	129	141	-	126	134	146	-
	MBh	114.2	118.3	129.6	-	111.5	115.6	126.6	-	108.9	112.8	123.6	-	106.2	110.1	120.6	-	100.9	104.6	114.6	-	93.5	96.9	106.1	-
	S/T	0.69	0.58	0.40	-	0.72	0.60	0.42	-	0.74	0.62	0.43	-	0.76	0.64	0.44	-	0.79	0.66	0.46	-	0.80	0.67	0.46	-
	Delta T	19	17	13	-	19	17	13	-	19	17	13	-	20	17	13	-	19	17	13	-	18	16	12	-
kW	8.17	8.33	8.58	-	8.76	8.93	9.20	-	9.28	9.47	9.76	-	9.73	9.94	10.25	-	10.12	10.34	10.66	-	10.46	10.68	11.02	-	
Amps	11.0	11.2	11.6	-	11.8	12.1	12.4	-	12.8	13.0	13.4	-	13.6	13.9	14.3	-	14.4	14.7	15.2	-	15.2	15.6	16.1	-	
HI PR	232	249	263	-	260	280	295	-	296	318	336	-	337	362	383	-	379	408	431	-	419	450	476	-	
LO PR	104	110	121	-	110	117	127	-	114	121	132	-	120	127	139	-	125	133	146	-	130	138	151	-	
MBh	117.6	121.9	133.5	-	114.9	119.0	130.4	-	112.1	116.2	127.3	-	109.4	113.4	124.2	-	103.9	107.7	118.0	-	96.3	99.8	109.3	-	
S/T	0.73	0.61	0.42	-	0.75	0.63	0.44	-	0.77	0.65	0.45	-	0.80	0.67	0.46	-	0.83	0.69	0.48	-	0.84	0.70	0.48	-	
ΔT	18	16	12	-	19	16	12	-	19	16	12	-	19	16	12	-	19	16	12	-	17	15	11	-	
kW	8.23	8.39	8.64	-	8.82	9.00	9.28	-	9.35	9.54	9.83	-	9.81	10.02	10.33	-	10.20	10.42	10.75	-	10.54	10.77	11.11	-	
Amps	11.1	11.3	11.7	-	11.9	12.2	12.5	-	12.9	13.2	13.6	-	13.7	14.0	14.4	-	14.5	14.9	15.3	-	15.3	15.7	16.2	-	
HI PR	234	252	266	-	263	283	298	-	299	321	339	-	340	366	387	-	383	412	435	-	423	455	480	-	
LO PR	105	112	122	-	111	118	129	-	115	122	134	-	121	129	140	-	127	135	147	-	131	139	152	-	

75	MBh	107.2	110.3	119.4	128.2	104.7	107.8	116.6	125.2	102.2	105.2	113.9	122.2	99.7	102.6	111.1	119.2	94.7	97.5	105.5	113.3	87.7	90.3	97.8	104.9
	S/T	0.76	0.68	0.51	0.33	0.79	0.71	0.53	0.34	0.81	0.72	0.55	0.35	0.83	0.75	0.56	0.36	0.87	0.77	0.59	0.38	0.87	0.78	0.59	0.38
	Delta T	22	21	17	12	23	21	17	12	23	21	17	12	23	21	17	12	23	21	17	12	21	19	16	11
	kW	8.05	8.21	8.45	8.70	8.62	8.80	9.06	9.34	9.13	9.32	9.60	9.90	9.58	9.78	10.08	10.40	9.96	10.17	10.49	10.83	10.29	10.51	10.84	11.19
	Amps	10.8	11.0	11.4	11.8	11.6	11.9	12.2	12.7	12.5	12.8	13.2	13.7	13.3	13.6	14.1	14.6	14.1	14.5	14.9	15.5	14.9	15.3	15.8	16.3
	HI PR	227	244	258	269	255	274	289	302	290	312	329	343	330	355	375	391	371	400	422	440	410	441	466	486
	LO PR	102	108	118	126	107	114	125	133	112	119	130	138	117	125	136	145	123	131	143	152	127	135	148	157
	MBh	116.1	119.5	129.4	138.9	113.4	116.8	126.4	135.6	110.7	114.0	123.4	132.4	108.0	111.2	120.4	129.2	102.6	105.6	114.3	122.7	95.0	97.9	105.9	113.7
	S/T	0.79	0.71	0.53	0.34	0.82	0.73	0.55	0.36	0.84	0.75	0.57	0.37	0.87	0.77	0.59	0.38	0.90	0.80	0.61	0.39	0.91	0.81	0.61	0.39
	Delta T	22	20	17	12	22	21	17	12	22	21	17	12	23	21	17	12	22	21	17	12	21	19	16	11
kW	8.23	8.39	8.64	8.90	8.82	9.00	9.28	9.56	9.35	9.54	9.84	10.15	9.81	10.02	10.33	10.66	10.20	10.42	10.75	11.09	10.54	10.77	11.11	11.47	
Amps	11.1	11.3	11.7	12.1	11.9	12.2	12.5	13.0	12.9	13.2	13.6	14.0	13.7	14.0	14.4	15.0	14.5	14.9	15.3	15.9	15.3	15.7	16.2	16.8	
HI PR	234	252	266	277	263	283	298	311	299	321	339	354	340	366	387	403	383	412	435	454	423	455	481	501	
LO PR	105	112	122	130	111	118	129	137	115	123	134	142	121	129	140	150	127	135	147	157	131	139	152	162	
MBh	119.6	123.1	133.3	143.0	116.8	120.3	130.2	139.7	114.0	117.4	127.1	136.4	111.2	114.5	124.0	133.1	105.7	108.8	117.8	126.4	97.9	100.8	109.1	117.1	
S/T	0.83	0.74	0.56	0.36	0.86	0.77	0.58	0.37	0.88	0.79	0.60	0.38	0.91	0.81	0.61	0.40	0.94	0.84	0.64	0.41	0.95	0.85	0.64	0.41	
Delta T	21	20	16	11	22	20	16	11	22	20	16	11	22	20	16	11	21	20	16	11	20	18	15	10	
kW	8.29	8.46	8.71	8.97	8.89	9.07	9.35	9.64	9.42	9.62	9.91	10.23	9.89	10.10	10.41	10.74	10.29	10.50	10.84	11.18	10.63	10.86	11.20	11.56	
Amps	11.2	11.4	11.8	12.2	12.0	12.3	12.7	13.1	13.0	13.3	13.7	14.2	13.8	14.1	14.6	15.1	14.6	15.0	15.5	16.0	15.5	15.8	16.3	16.9	
HI PR	236	254	269	280	265	285	301	314	302	325	343	358	344	370	390	407	387	416	439	458	427	460	485	506	
LO PR	106	113	123	131	112	119	130	138	116	124	135	144	122	130	142	151	128	136	149	158	132	141	154	164	

IDB: Entering Indoor Dry Bulb Temperature
 High and low pressures are measured at the liquid and suction service valves.
 Shaded area reflects ACCA (TVA) conditions
 Amps = outdoor unit amps (comp.+fan)
 kW = Total system power

IDB	AIRFLOW	OUTDOOR AMBIENT TEMPERATURE												ENTERING INDOOR WET BULB TEMPERATURE											
		65°F				75°F				85°F				95°F				105°F				115°F			
		59	63	67	71	59	63	67	71	59	63	67	71	59	63	67	71	59	63	67	71	59	63	67	71
80	MBh	109.1	111.4	119.1	127.3	106.5	108.9	116.3	124.3	104.0	106.3	113.5	121.4	101.5	103.7	110.8	118.4	96.4	98.5	105.2	112.5	89.3	91.2	97.5	104.2
	S/T	0.83	0.78	0.64	0.48	0.86	0.81	0.66	0.49	0.89	0.83	0.68	0.51	0.92	0.86	0.70	0.52	0.95	0.89	0.73	0.54	0.96	0.90	0.73	0.55
	Delta T	25	24	21	17	25	24	21	17	25	24	21	17	26	25	21	17	25	24	21	17	24	23	20	16
	kW	8.11	8.27	8.51	8.77	8.69	8.86	9.13	9.41	9.20	9.39	9.68	9.98	9.66	9.86	10.16	10.49	10.04	10.25	10.57	10.91	10.37	10.59	10.93	11.28
	Amps	10.9	11.1	11.5	11.9	11.7	12.0	12.3	12.8	12.6	12.9	13.3	13.8	13.5	13.8	14.2	14.7	14.3	14.6	15.1	15.6	15.1	15.4	15.9	16.5
	HI PR	229	247	261	272	257	277	292	305	293	315	333	347	333	359	379	395	375	404	426	444	414	446	471	491
	LO PR	103	109	119	127	109	115	126	134	113	120	131	140	119	126	138	147	124	132	144	154	128	137	149	159
	MBh	118.2	120.7	129.0	137.9	115.4	117.9	126.0	134.7	112.7	115.1	123.0	131.5	109.9	112.3	120.0	128.3	104.4	106.7	114.0	121.9	96.7	98.8	105.6	112.9
	S/T	0.87	0.81	0.66	0.49	0.90	0.84	0.68	0.51	0.92	0.86	0.70	0.52	0.95	0.89	0.72	0.54	0.99	0.92	0.75	0.56	0.99	0.93	0.76	0.57
	Delta T	25	24	21	16	25	24	21	17	25	24	21	17	25	24	21	17	25	24	21	17	23	22	19	15
kW	8.29	8.46	8.71	8.97	8.89	9.07	9.35	9.64	9.42	9.62	9.91	10.23	9.89	10.10	10.41	10.74	10.29	10.50	10.84	11.19	10.63	10.86	11.20	11.57	
Amps	11.2	11.4	11.8	12.2	12.0	12.3	12.7	13.1	13.0	13.3	13.7	14.2	13.8	14.1	14.6	15.1	14.6	15.0	15.5	16.0	15.5	15.8	16.3	16.9	
HI PR	236	254	269	280	265	285	301	314	302	325	343	358	344	370	391	407	387	416	439	458	427	460	485	506	
LO PR	106	113	123	131	112	119	130	138	116	124	135	144	122	130	142	151	128	136	149	158	132	141	154	164	
MBh	121.7	124.4	132.9	142.0	118.9	121.5	129.8	138.7	116.0	118.6	126.7	135.4	113.2	115.7	123.6	132.1	107.6	109.9	117.4	125.5	99.6	101.8	108.8	116.3	
S/T	0.91	0.85	0.69	0.52	0.94	0.88	0.72	0.54	0.96	0.90	0.74	0.55	1.00	0.93	0.76	0.57	1.00	0.97	0.79	0.59	1.00	1.00	0.80	0.59	
Delta T	24	23	20	16	24	23	20	16	24	23	20	16	24	23	20	16	23	23	20	16	21	22	19	15	
kW	8.35	8.52	8.78	9.04	8.96	9.14	9.42	9.71	9.50	9.69	9.99	10.31	9.97	10.18	10.50	10.83	10.37	10.59	10.92	11.28	10.71	10.94	11.29	11.66	
Amps	11.3	11.5	11.9	12.3	12.1	12.4	12.8	13.2	13.1	13.4	13.8	14.3	13.9	14.3	14.7	15.2	14.8	15.1	15.6	16.2	15.6	16.0	16.5	17.1	
HI PR	239	257	271	283	268	288	304	318	305	328	346	361	347	374	394	411	390	420	444	463	431	464	490	511	
LO PR	107	114	124	132	113	120	131	140	117	125	136	145	123	131	143	153	129	138	150	160	134	142	155	165	

85	MBh	111.0	113.1	118.5	126.4	108.4	110.5	115.7	123.5	105.8	107.9	113.0	120.5	103.2	105.2	110.2	117.6	98.1	100.0	104.7	111.7	90.8	92.6	97.0	103.5
	S/T	0.87	0.84	0.76	0.62	0.91	0.87	0.79	0.64	0.93	0.90	0.81	0.66	0.96	0.93	0.84	0.68	1.00	0.96	0.87	0.70	1.00	0.97	0.87	0.71
	Delta T	27	26	25	22	27	27	25	22	27	27	25	22	27	27	25	22	27	26	25	22	25	25	23	20
	kW	8.17	8.33	8.58	8.83	8.75	8.93	9.20	9.49	9.27	9.46	9.76	10.06	9.73	9.93	10.24	10.57	10.12	10.33	10.66	11.00	10.46	10.68	11.02	11.37
	Amps	11.0	11.2	11.6	12.0	11.8	12.1	12.4	12.9	12.8	13.0	13.4	13.9	13.6	13.9	14.3	14.8	14.4	14.7	15.2	15.7	15.2	15.6	16.0	16.6
	HI PR	232	249	263	275	260	280	295	308	296	318	336	350	337	362	383	399	379	408	430	449	418	450	476	496
	LO PR	104	110	121	128	110	117	127	136	114	121	132	141	120	127	139	148	125	133	146	155	130	138	151	160
	MBh	120.2	122.6	128.4	136.9	117.4	119.7	125.4	133.8	114.6	116.9	122.4	130.6	111.8	114.0	119.4	127.4	106.2	108.3	113.4	121.0	98.4	100.3	105.1	112.1
	S/T	0.91	0.88	0.79	0.64	0.94	0.91	0.82	0.66	0.96	0.93	0.84	0.68	1.00	0.96	0.87	0.70	1.00	1.00	0.90	0.73	1.00	1.00	0.91	0.74
	Delta T	26	26	25	21	27	26	25	21	27	26	25	22	27	26	25	22	26	26	25	21	24	24	23	20
kW	8.35	8.52	8.78	9.04	8.96	9.14	9.42	9.71	9.50	9.69	9.99	10.31	9.97	10.18	10.50	10.83	10.37	10.59	10.92	11.28	10.71	10.94	11.29	11.66	
Amps	11.3	11.5	11.9	12.3	12.1	12.4	12.8	13.2	13.1	13.4	13.8	14.3	13.9	14.3	14.7	15.2	14.8	15.1	15.6	16.2	15.6	16.0	16.5	17.1	
HI PR	239	257	271	283	268	288	304	318	305	328	346	361	347	374	394	411	390	420	444	463	431	464	490	511	
LO PR	107	114	124	132	113	120	131	140	117	125	136	145	123	131	143	153	129	138	150	160	134	142	155	165	
MBh	123.8	126.2	132.2	141.0	121.0	123.3	129.1	137.8	118.1	120.4	126.1	134.5	115.2	117.4	123.0	131.2	109.4	111.6	116.8	124.6	101.4	103.3	108.2	115.5	
S/T	0.95	0.92	0.83	0.67	0.99	0.95	0.86	0.70	1.00	0.98	0.88	0.71	1.00	1.00	0.91	0.74	1.00	1.00	0.94	0.77	1.00	1.00	0.95	0.77	
Delta T	25	25	24	20	26	25	24	21	25	25	24	21	25	25	24	21	24	24	24	21	22	22	22	19	
kW	8.42	8.59	8.84	9.11	9.03	9.21	9.49	9.79	9.57	9.77	10.07	10.39	10.05	10.26	10.58	10.92	10.45	10.67	11.01	11.37	10.80	11.03	11.38	11.76	
Amps	11.4	11.6	12.0	12.4	12.2	12.5	12.9	13.3	13.2	13.5	13.9	14.4	14.1	14.4	14.8	15.4	14.9	15.3	15.7	16.3	15.7	16.1	16.6	17.2	
HI PR	241	260	274	286	271	291	308	321	308	331	350	365	351	377	398	415	394	424	448	467	436	469	495	516	
LO PR	108	115	126	134	114	121	133	141	119	126	138	147	125	133	145	154	131	139	152	162	135	144	157	167	

IDB: Entering Indoor Dry Bulb Temperature
 High and low pressures are measured at the liquid and suction service valves.
 Shaded area reflects AHRI conditions
 Amps = outdoor unit amps (comp.+fan)
 kW = Total system power

EXPANDED COOLING DATA — DX11TA1204A*/(2)CA*F4961*6D*+TXV

IDB	AIRFLOW	OUTDOOR AMBIENT TEMPERATURE																							
		65°F				75°F				85°F				95°F				105°F				115°F			
		59	63	67	71	59	63	67	71	59	63	67	71	59	63	67	71	59	63	67	71	59	63	67	71
70	MBh	101.9	105.6	115.7	-	99.5	103.1	113.0	-	97.1	100.7	110.3	-	94.8	98.2	107.6	-	90.0	93.3	102.2	-	83.4	86.4	94.7	-
	S/T	0.62	0.51	0.36	-	0.64	0.53	0.37	-	0.66	0.55	0.38	-	0.68	0.56	0.39	-	0.70	0.59	0.41	-	0.71	0.59	0.41	-
	Delta T	17	15	11	-	18	15	12	-	18	15	12	-	18	15	12	-	17	15	11	-	16	14	11	-
	kW	7.72	7.88	8.11	-	8.28	8.45	8.71	-	8.78	8.96	9.24	-	9.22	9.41	9.71	-	9.59	9.79	10.10	-	9.91	10.12	10.45	-
	Amps	10.7	10.9	11.2	-	11.5	11.7	12.1	-	12.4	12.6	13.0	-	13.2	13.5	13.9	-	13.9	14.3	14.7	-	14.7	15.1	15.5	-
	HI PR	222	238	252	-	249	268	283	-	283	304	321	-	322	347	366	-	362	390	412	-	400	431	455	-
	LO PR	101	107	117	-	106	113	124	-	111	118	129	-	116	124	135	-	122	130	141	-	126	134	146	-
	MBh	110.4	114.4	125.3	-	107.8	111.7	122.4	-	105.2	109.1	119.5	-	102.7	106.4	116.6	-	97.5	101.1	110.8	-	90.3	93.6	102.6	-
	S/T	0.64	0.53	0.37	-	0.66	0.55	0.38	-	0.68	0.57	0.39	-	0.70	0.59	0.41	-	0.73	0.61	0.42	-	0.73	0.61	0.42	-
	Delta T	17	15	11	-	17	15	11	-	17	15	11	-	17	15	11	-	17	15	11	-	16	14	11	-
kW	7.90	8.06	8.30	-	8.48	8.66	8.92	-	8.99	9.18	9.47	-	9.44	9.64	9.95	-	9.83	10.04	10.36	-	10.16	10.38	10.71	-	
Amps	10.9	11.2	11.5	-	11.8	12.0	12.4	-	12.7	13.0	13.4	-	13.5	13.8	14.2	-	14.3	14.6	15.1	-	15.1	15.5	16.0	-	
HI PR	228	246	260	-	256	276	291	-	292	314	331	-	332	357	377	-	374	402	424	-	413	444	469	-	
LO PR	104	111	121	-	110	117	127	-	114	121	132	-	120	127	139	-	126	134	146	-	130	138	151	-	
MBh	113.7	117.8	129.1	-	111.0	115.1	126.1	-	108.4	112.3	123.1	-	105.7	109.6	120.1	-	100.5	104.1	114.1	-	93.1	96.4	105.7	-	
S/T	0.67	0.56	0.39	-	0.69	0.58	0.40	-	0.71	0.60	0.41	-	0.74	0.61	0.43	-	0.76	0.64	0.44	-	0.77	0.64	0.45	-	
ΔT	16	14	11	-	17	14	11	-	17	14	11	-	17	15	11	-	17	14	11	-	15	13	10	-	
kW	7.96	8.12	8.37	-	8.55	8.72	8.99	-	9.06	9.25	9.54	-	9.52	9.72	10.03	-	9.91	10.12	10.44	-	10.24	10.46	10.80	-	
Amps	11.0	11.3	11.6	-	11.9	12.1	12.5	-	12.8	13.1	13.5	-	13.6	13.9	14.4	-	14.4	14.8	15.2	-	15.3	15.6	16.1	-	
HI PR	231	248	262	-	259	279	294	-	294	317	335	-	335	361	381	-	377	406	429	-	417	449	474	-	
LO PR	105	112	122	-	111	118	129	-	115	123	134	-	121	129	141	-	127	135	147	-	131	140	152	-	

75	MBh	103.6	106.7	115.4	123.9	101.2	104.2	112.8	121.0	98.8	101.7	110.1	118.1	96.4	99.2	107.4	115.3	91.5	94.3	102.0	109.5	84.8	87.3	94.5	101.4
	S/T	0.70	0.63	0.47	0.31	0.73	0.65	0.49	0.32	0.74	0.67	0.50	0.32	0.77	0.69	0.52	0.33	0.80	0.71	0.54	0.35	0.80	0.72	0.54	0.35
	Delta T	20	18	15	10	20	19	15	11	20	19	15	11	20	19	15	11	20	19	15	10	19	17	14	10
	kW	7.78	7.94	8.18	8.43	8.35	8.52	8.78	9.06	8.85	9.03	9.32	9.61	9.29	9.49	9.79	10.10	9.67	9.87	10.19	10.52	9.99	10.21	10.53	10.88
	Amps	10.8	11.0	11.3	11.7	11.6	11.8	12.2	12.6	12.5	12.8	13.2	13.6	13.3	13.6	14.0	14.5	14.1	14.4	14.8	15.4	14.9	15.2	15.7	16.2
	HI PR	224	241	254	265	251	270	285	298	286	307	325	339	325	350	370	386	366	394	416	434	404	435	460	479
	LO PR	102	108	118	126	108	114	125	133	112	119	130	138	117	125	136	145	123	131	143	152	127	135	148	157
	MBh	112.2	115.6	125.1	134.2	109.6	112.9	122.2	131.1	107.0	110.2	119.3	128.0	104.4	107.5	116.3	124.9	99.2	102.1	110.5	118.6	91.9	94.6	102.4	109.9
	S/T	0.73	0.65	0.49	0.32	0.75	0.67	0.51	0.33	0.77	0.69	0.52	0.34	0.80	0.71	0.54	0.35	0.83	0.74	0.56	0.36	0.83	0.75	0.56	0.36
	Delta T	20	18	15	10	20	18	15	10	20	18	15	10	20	19	15	10	20	18	15	10	19	17	14	10
kW	7.96	8.12	8.37	8.63	8.55	8.72	8.99	9.28	9.06	9.25	9.54	9.85	9.52	9.72	10.03	10.35	9.91	10.12	10.44	10.78	10.24	10.46	10.80	11.15	
Amps	11.0	11.3	11.6	12.0	11.9	12.1	12.5	12.9	12.8	13.1	13.5	14.0	13.6	13.9	14.4	14.9	14.4	14.8	15.2	15.8	15.3	15.6	16.1	16.7	
HI PR	231	248	262	274	259	279	294	307	294	317	335	349	335	361	381	398	377	406	429	447	417	449	474	494	
LO PR	105	112	122	130	111	118	129	137	115	123	134	143	121	129	141	150	127	135	147	157	131	140	152	162	
MBh	115.6	119.0	128.8	138.3	112.9	116.3	125.8	135.0	110.2	113.5	122.8	131.8	107.5	110.7	119.8	128.6	102.2	105.2	113.8	122.2	94.6	97.4	105.5	113.2	
S/T	0.76	0.68	0.52	0.33	0.79	0.71	0.53	0.34	0.81	0.72	0.55	0.35	0.84	0.75	0.57	0.36	0.87	0.78	0.59	0.38	0.87	0.78	0.59	0.38	
Delta T	19	17	14	10	19	18	15	10	19	18	15	10	19	18	15	10	19	18	14	10	18	16	13	9	
kW	8.02	8.19	8.43	8.69	8.61	8.79	9.06	9.35	9.14	9.33	9.62	9.93	9.60	9.80	10.11	10.44	9.99	10.20	10.53	10.87	10.32	10.55	10.89	11.25	
Amps	11.1	11.4	11.7	12.1	12.0	12.2	12.6	13.0	12.9	13.2	13.6	14.1	13.7	14.1	14.5	15.0	14.6	14.9	15.4	15.9	15.4	15.7	16.2	16.8	
HI PR	233	251	265	276	262	281	297	310	297	320	338	353	339	365	385	402	381	410	433	452	421	453	479	499	
LO PR	106	113	123	131	112	119	130	139	116	124	135	144	122	130	142	151	128	136	149	158	133	141	154	164	

IDB: Entering Indoor Dry Bulb Temperature
 High and low pressures are measured at the liquid and suction service valves.
 Shaded area reflects ACCA (TVA) conditions
 Amps = outdoor unit amps (comp.+fan)
 kW = Total system power

EXPANDED COOLING DATA — DX11TA1204A* / (2) CA*F4961*6D*+TXV (CONT.)

IDB	AIRFLOW	OUTDOOR AMBIENT TEMPERATURE												ENTERING INDOOR WET BULB TEMPERATURE											
		65°F				75°F				85°F				95°F				105°F				115°F			
		59	63	67	71	59	63	67	71	59	63	67	71	59	63	67	71	59	63	67	71	59	63	67	71
80	MBh	105.4	107.7	115.1	123.0	103.0	105.2	112.4	120.2	100.5	102.7	109.7	117.3	98.1	100.2	107.1	114.5	93.2	95.2	101.7	108.7	86.3	88.2	94.2	100.7
	S/T	0.77	0.72	0.59	0.44	0.80	0.75	0.61	0.45	0.82	0.77	0.62	0.47	0.84	0.79	0.64	0.48	0.88	0.82	0.67	0.50	0.88	0.83	0.67	0.50
	Delta T	22	21	19	15	23	22	19	15	23	22	19	15	23	22	19	15	22	21	18	15	21	20	18	14
	kW	7.84	8.00	8.24	8.49	8.41	8.59	8.85	9.13	8.92	9.11	9.39	9.69	9.37	9.56	9.87	10.18	9.75	9.95	10.27	10.61	10.07	10.29	10.62	10.97
	Amps	10.8	11.1	11.4	11.8	11.7	11.9	12.3	12.7	12.6	12.9	13.3	13.7	13.4	13.7	14.1	14.6	14.2	14.5	15.0	15.5	15.0	15.3	15.8	16.4
	HI PR	226	243	257	268	254	273	288	301	289	311	328	342	329	354	373	390	370	398	420	438	408	440	464	484
	LO PR	103	109	119	127	109	116	126	134	113	120	131	140	119	126	138	147	124	132	144	154	129	137	149	159
	MBh	114.2	116.7	124.7	133.3	111.6	114.0	121.8	130.2	108.9	111.3	118.9	127.1	106.3	108.6	116.0	124.0	100.9	103.1	110.2	117.8	93.5	95.5	102.1	109.1
	S/T	0.80	0.75	0.61	0.45	0.83	0.77	0.63	0.47	0.85	0.79	0.65	0.48	0.87	0.82	0.67	0.50	0.91	0.85	0.69	0.52	0.92	0.86	0.70	0.52
	Delta T	22	21	18	15	22	21	19	15	22	21	19	15	22	21	19	15	22	21	18	15	21	20	17	14
kW	8.02	8.19	8.43	8.69	8.62	8.79	9.06	9.35	9.14	9.33	9.62	9.93	9.60	9.80	10.11	10.44	9.99	10.20	10.53	10.87	10.32	10.55	10.89	11.25	
Amps	11.1	11.4	11.7	12.1	12.0	12.2	12.6	13.0	12.9	13.2	13.6	14.1	13.7	14.1	14.5	15.0	14.6	14.9	15.4	15.9	15.4	15.7	16.3	16.8	
HI PR	233	251	265	276	262	281	297	310	297	320	338	353	339	365	385	402	381	410	433	452	421	453	479	499	
LO PR	106	113	123	131	112	119	130	139	116	124	135	144	122	130	142	151	128	136	149	158	133	141	154	164	
MBh	117.7	120.2	128.4	137.3	114.9	117.4	125.5	134.1	112.2	114.6	122.5	130.9	109.4	111.8	119.5	127.7	104.0	106.2	113.5	121.3	96.3	98.4	105.1	112.4	
S/T	0.84	0.78	0.64	0.48	0.87	0.81	0.66	0.49	0.89	0.83	0.68	0.51	0.92	0.86	0.70	0.52	0.95	0.89	0.73	0.54	0.96	0.90	0.73	0.55	
Delta T	21	20	18	14	21	21	18	14	21	21	18	14	22	21	18	14	21	20	18	14	20	19	17	13	
kW	8.09	8.25	8.50	8.76	8.68	8.86	9.14	9.42	9.21	9.40	9.70	10.01	9.67	9.88	10.19	10.52	10.07	10.29	10.62	10.96	10.41	10.64	10.98	11.34	
Amps	11.2	11.5	11.8	12.2	12.1	12.3	12.7	13.1	13.0	13.3	13.7	14.2	13.9	14.2	14.6	15.1	14.7	15.0	15.5	16.1	15.5	15.9	16.4	17.0	
HI PR	235	253	268	279	264	284	300	313	300	323	341	356	342	368	389	406	385	414	437	456	425	458	483	504	
LO PR	107	114	124	132	113	120	131	140	118	125	137	145	123	131	143	153	129	138	150	160	134	142	155	166	

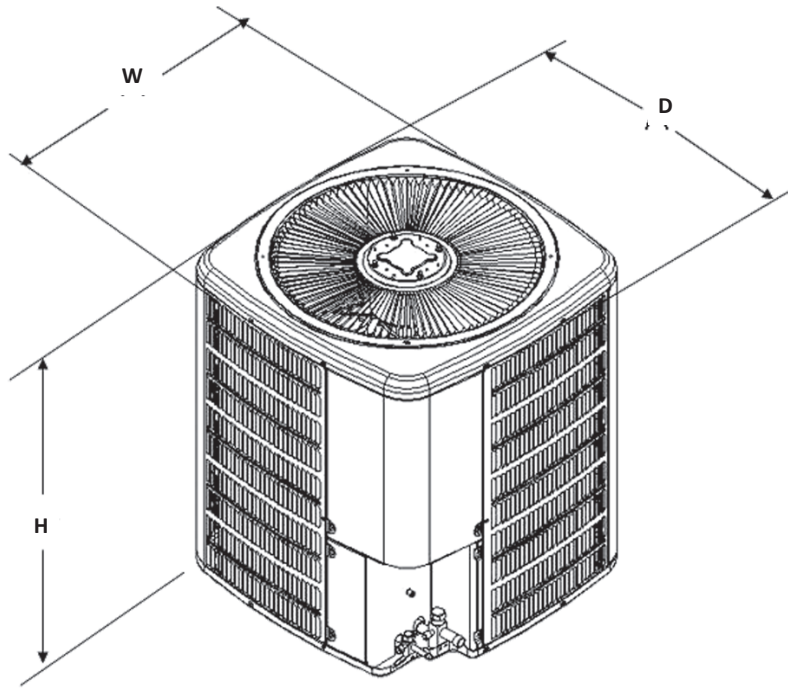
85	MBh	107.3	109.3	114.5	122.2	104.8	106.8	111.9	119.3	102.3	104.3	109.2	116.5	99.8	101.7	106.5	113.7	94.8	96.6	101.2	108.0	87.8	89.5	93.7	100.0
	S/T	0.81	0.78	0.70	0.57	0.84	0.81	0.73	0.59	0.86	0.83	0.75	0.61	0.88	0.85	0.77	0.62	0.92	0.89	0.80	0.65	0.93	0.89	0.81	0.65
	Delta T	24	23	22	19	24	24	22	19	24	24	22	19	24	24	23	20	24	24	22	19	22	22	21	18
	kW	7.90	8.06	8.30	8.56	8.48	8.65	8.92	9.20	8.99	9.18	9.46	9.77	9.44	9.64	9.95	10.27	9.82	10.03	10.35	10.69	10.15	10.37	10.71	11.06
	Amps	10.9	11.2	11.5	11.9	11.8	12.0	12.4	12.8	12.7	13.0	13.4	13.9	13.5	13.8	14.2	14.8	14.3	14.6	15.1	15.6	15.1	15.5	16.0	16.5
	HI PR	228	246	260	271	256	276	291	304	291	314	331	345	332	357	377	393	373	402	424	443	413	444	469	489
	LO PR	104	110	121	128	110	117	127	136	114	121	132	141	120	127	139	148	126	134	146	155	130	138	151	161
	MBh	116.2	118.5	124.1	132.4	113.5	115.7	121.2	129.3	110.8	113.0	118.3	126.2	108.1	110.2	115.4	123.1	102.7	104.7	109.6	117.0	95.1	97.0	101.6	108.4
	S/T	0.84	0.81	0.73	0.59	0.87	0.84	0.75	0.61	0.89	0.86	0.77	0.63	0.92	0.88	0.80	0.65	0.95	0.92	0.83	0.67	0.96	0.93	0.84	0.68
	Delta T	23	23	22	19	24	23	22	19	24	23	22	19	24	24	22	19	24	23	22	19	22	22	21	18
kW	8.09	8.25	8.50	8.76	8.68	8.86	9.14	9.42	9.21	9.40	9.70	10.01	9.67	9.88	10.19	10.52	10.07	10.29	10.62	10.96	10.41	10.64	10.98	11.34	
Amps	11.2	11.5	11.8	12.2	12.1	12.3	12.7	13.1	13.0	13.3	13.7	14.2	13.9	14.2	14.6	15.1	14.7	15.0	15.5	16.1	15.5	15.9	16.4	17.0	
HI PR	235	253	268	279	264	284	300	313	300	323	341	356	342	368	389	406	385	414	437	456	425	458	483	504	
LO PR	107	114	124	132	113	120	131	140	118	125	137	145	123	131	143	153	129	138	150	160	134	142	155	166	
MBh	119.7	122.0	127.8	136.3	116.9	119.2	124.8	133.2	114.1	116.3	121.9	130.0	111.4	113.5	118.9	126.8	105.8	107.8	112.9	120.5	98.0	99.9	104.6	111.6	
S/T	0.88	0.85	0.76	0.62	0.91	0.88	0.79	0.64	0.93	0.90	0.81	0.66	0.96	0.93	0.84	0.68	1.00	0.96	0.87	0.70	1.00	0.97	0.88	0.71	
Delta T	23	22	21	18	23	23	21	18	23	23	21	18	23	23	21	18	23	23	22	19	21	21	20	17	
kW	8.15	8.31	8.57	8.83	8.75	8.93	9.21	9.50	9.28	9.48	9.78	10.09	9.75	9.96	10.28	10.61	10.15	10.37	10.70	11.05	10.49	10.72	11.07	11.44	
Amps	11.3	11.6	11.9	12.3	12.2	12.4	12.8	13.3	13.1	13.4	13.9	14.3	14.0	14.3	14.8	15.3	14.8	15.2	15.7	16.2	15.7	16.0	16.5	17.1	
HI PR	238	256	270	282	267	287	303	316	303	327	345	360	346	372	393	410	389	418	442	461	430	462	488	509	
LO PR	108	115	126	134	114	122	133	141	119	126	138	147	125	133	145	154	131	139	152	162	135	144	157	167	

IDB: Entering Indoor Dry Bulb Temperature
 High and low pressures are measured at the liquid and suction service valves.
 Shaded area reflects AHRI conditions
 Amps = outdoor unit amps (comp.+fan)
 kW = Total system power

OUTDOOR UNIT	INDOOR UNIT	COOLING CAPACITY ¹		EER / IEER ²	AHRI #
		TOTAL	SENSIBLE		
DX11TA0903A*	DAT0903A*	93,000	63,000	11.2 / 13	201990198
	(2)CA*F4961*6D*+TXV	93,000	63,000	11.2 / 13	201990199
DX11TA0904A*	DAT0904A*	93,000	63,000	11.2 / 13	201990200
	(2)CA*F4961*6D*+TXV	93,000	63,000	11.2 / 13	201990201
DX11TA1203A*	DAT1203A*	120,000	80,000	11.2 / 13.5	201990202
	(2)CA*F4961*6D*+TXV	116,000	78,000	11.2 / 13	201990203
DX11TA1204A*	DAT1204A*	120,000	80,000	11.2 / 13.5	201990204
	(2)CA*F4961*6D*+TXV	116,000	78,000	11.2 / 13	201990205

¹ BTU/h

² EER = Energy Efficiency Ratio; IEER = Integrated Energy Efficiency Ratio



11 EER MODELS	DIMENSIONS		
	W"	D"	H"
DX11TA0903A*	35½"	35½"	41½"
DX11TA0904A*	35½"	35½"	41½"
DX11TA1203A*	35½"	35½"	41½"
DX11TA1204A*	35½"	35½"	41½"

MODEL #	DESCRIPTION	DX11TA 0903**	DX11TA 0904**	DX11TA 1203**	DX11TA 1204**
ABK-20	Anchor Bracket Kit [♦]	x	x	x	x
ASC-01	Anti-Short Cycle Kit	x	x	x	x
FSK01A ¹	Freeze Protection Kit ²	x	x	x	x
LSK01A ²	Liquid Line Solenoid Kit	x	x	x	x
LAKT01	Low Ambient Kit	x	x	x	x
0163R00002	Crankcase heater	x			
0163R00003	Crankcase heater			x	
0163R00004	Crankcase Heater		x		x
OT18-60A	Outdoor Thermostat	x	x	x	x
TX3N4 ²	TXV Kit	x	x		
TX5N4 ²	TXV Kit			x	x

[♦] Contains 20 brackets; four brackets needed to anchor unit to pad

¹Installed on indoor coil

²Field-installed, non-bleed, expansion valve kit

