



**Base Efficiency Heat Pump
Packaged Rooftop Unit
DBH Commercial
7.5 - 12.5 Nominal Tons
12.5 IEER / Up to 11.2 EER**



* Complete warranty details available from your local distributor or manufacturer's representative or at www.daikincomfort.com or www.daikinac.com



Our Perfect Package:

Harnessing energy-efficient performance, proven technology, and enhanced comfort for life.

Since becoming the first company in Japan to manufacture packaged air conditioning systems, in 1951, Daikin has supported comfortable indoor living based on the strengths and technologies that have led to the growth of the company becoming one of the world's largest manufacturers of HVAC products, systems and refrigerants.

Today, as a comprehensive global manufacturer of HVAC products and systems, the Daikin brand is committed to being recognized as a truly global and excellent company capable of continually creating new value for its customers. The company plans to pursue sustainable growth and foster business operations that consistently harmonize with the goals of improving indoor comfort.

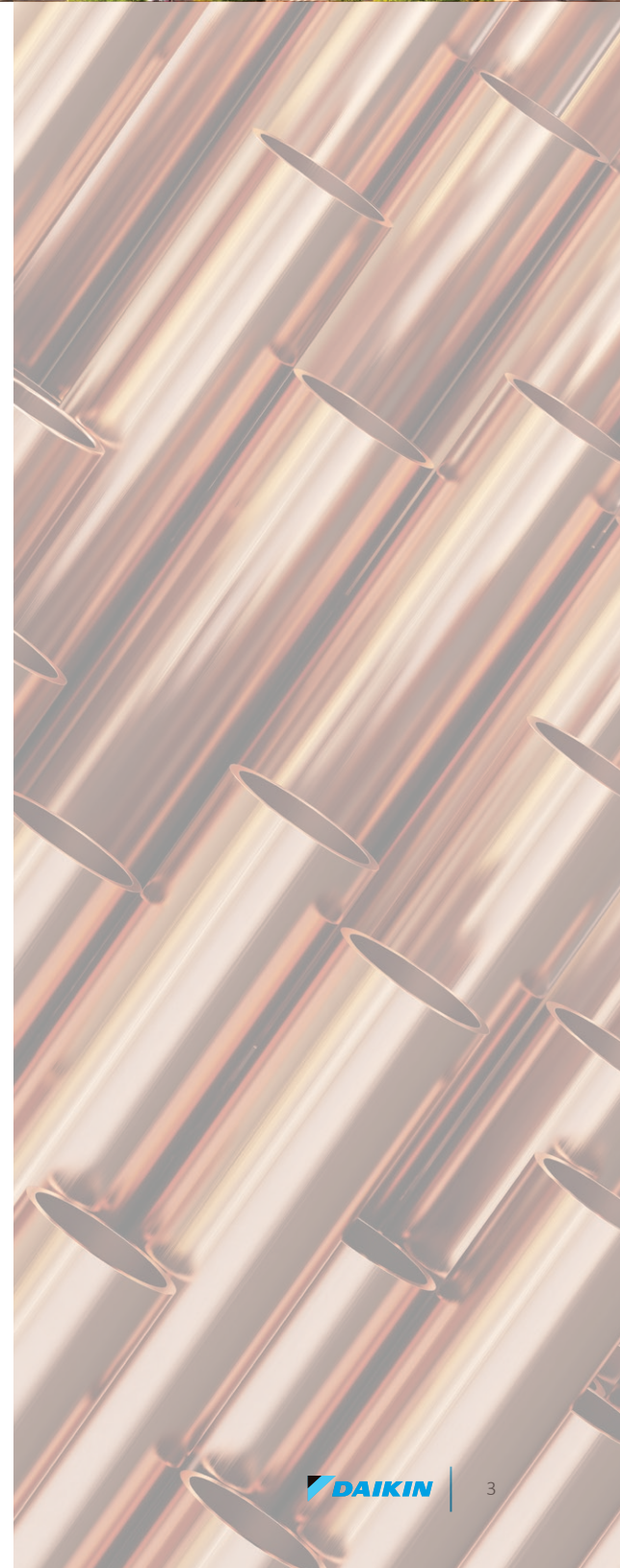
The group philosophy of the company includes:

- » Creating new value continuously for customers
- » Developing world leading energy-saving technology
- » Being a flexible and dynamic organization
- » Allowing employees to be the driving force for the success of the company
- » Fostering an atmosphere of best practices, boldness, and innovation
- » Thinking and acting globally



Contents

2	Introduction	2
4	Nomenclature	4
5	Features and Benefits	5
	Applications	8
	Serviceability	8
9	Product Specifications	9
	AHRI Ratings	11
	Sound Data	11
	Coil Dimensions	11
	HP Performance	11
12	Expanding Cooling Data	12
20	Electric Heater Data	20
21	Air Flow	21
25	Static Pressure	25
26	Electrical Data	26
32	Wiring Diagrams	32
34	Dimensional Data	34
35	Electrical Connections	35
	Unit Clearances	35
36	Installation	36
	Weights	36
37	Accessories	37
40	Factory Installed Options	40
40	Field Installed Options	40
41	Factory and Field Installed Options	41



Nomenclature

	D	B	H	120	3	V	XXX	C	X	A	X	X	X	X	X	X	X	X	A	*																																
	1	2	3	4,5,6	7	8	9,10,11	12	13	14	15	16	17	18	19	20	21	22	23	24																																
Brand	D Daikin																																																			
Configuration	B New Base Efficiency																																																			
Application	C Cooling G Gas Heat H Heat Pump																																																			
Nominal Cooling Capacity	090 7½ Tons 102 8½ Tons 120 10 Tons 150 12½ Tons																																																			
Voltage	3 208-230/3/60 4 460/3/60 7 575/3/60																																																			
Supply Fan/Drive Type/Motor	V 2-speed Belt-Drive - Standard Static S 2-speed Belt-Drive - High-Static																																																			
Nominal Heating Capacity	<table border="1"> <thead> <tr> <th>Gas/Electric</th> <th>A/C</th> <th>H/P</th> <th>Factory-Installed Electric Heat</th> </tr> </thead> <tbody> <tr> <td>210 210,000 BTU/h</td> <td>XXX</td> <td>No Heat</td> <td></td> </tr> <tr> <td></td> <td>015</td> <td>15 kW</td> <td></td> </tr> <tr> <td></td> <td>016</td> <td>15 kW</td> <td></td> </tr> <tr> <td></td> <td>030</td> <td>30 kW</td> <td></td> </tr> <tr> <td></td> <td>031</td> <td>30 kW</td> <td></td> </tr> <tr> <td></td> <td>045</td> <td>45 kW</td> <td></td> </tr> <tr> <td></td> <td>046</td> <td>45 kW</td> <td></td> </tr> </tbody> </table>																				Gas/Electric	A/C	H/P	Factory-Installed Electric Heat	210 210,000 BTU/h	XXX	No Heat			015	15 kW			016	15 kW			030	30 kW			031	30 kW			045	45 kW			046	45 kW	
Gas/Electric	A/C	H/P	Factory-Installed Electric Heat																																																	
210 210,000 BTU/h	XXX	No Heat																																																		
	015	15 kW																																																		
	016	15 kW																																																		
	030	30 kW																																																		
	031	30 kW																																																		
	045	45 kW																																																		
	046	45 kW																																																		
<i>See product specifications for heat size(s) available for each capacity.</i>																																																				
Refrigeration Systems	C Two-stage cooling modes																																																			
Heat Exchanger	X No options A Standard Aluminized Exchanger S Stainless Steel Exchanger																																																			
Controls	A Electromechanical controls																																																			
Revision Levels	Major & Minor																																																			
Power Exhaust	X No Options B Single-point power connection for Power Exhaust																																																			
Service Options	X No Options A Powered convenience outlet B Non-powered convenience outlet C Hinge Panels D Hinged Panels and Powered convenience outlet E Hinged Panels and non-powered convenience outlet																																																			
Electrical	X No Options A Non-Fused Disconnect B Phase Monitor C Thru-the-base connections E Non-Fused Disconnect and Phase Monitor F Non-Fused Disconnect and Thru-the-base connections H Phase Monitor and Thru-the-base connections L Non-Fused Disconnect, Thru-the-base connections and Phase Monitor																																																			
Economizer	X No Options A Ultra Low-Leak Downflow Economizer w/Enthalpy Sensor B Low-Leak Downflow Economizer w/Enthalpy Sensor G Ultra Low-Leak Downflow Economizer w/Dry Bulb Sensor H Low-Leak Downflow Economizer w/Dry Bulb Sensor																																																			
Hail guard	X No Options C Hail Guard																																																			
Sensors	X No Options A RA Smoke Detector B SA Smoke Detector C RA & SA Smoke Detector																																																			

HP Stocking Models	
New Daikin 7.5-12.5 Ton Belt-Drive	
MODEL NUMBER	CODE STRING
DBH0903V000001S	DBH0903VXXXCAAXXXXXXXXX
DBH0904V000001S	DBH0904VXXXCAAXXXXXXXXX
DBH0907V000001S	DBH0907VXXXCAAXXXXXXXXX
DBH1023V000001S	DBH1023VXXXCAAXXXXXXXXX
DBH1024V000001S	DBH1024VXXXCAAXXXXXXXXX
DBH1027V000001S	DBH1027VXXXCAAXXXXXXXXX
DBH1203V000001S	DBH1203VXXXCAAXXXXXXXXX
DBH1204V000001S	DBH1204VXXXCAAXXXXXXXXX
DBH1207V000001S	DBH1207VXXXCAAXXXXXXXXX
DBH1503V000001S	DBH1503VXXXCAAXXXXXXXXX
DBH1504V000001S	DBH1504VXXXCAAXXXXXXXXX
DBH1507V000001S	DBH1507VXXXCAAXXXXXXXXX

Features and Benefits

Daikin Packaged Rooftop Units (RTUs) are built to perform, with features and options that help provide low installation and operation costs, superior indoor air quality, efficient operation, and longevity.

Installation

Daikin Packaged units are designed with fast and easy installation in mind and are ideal for both new construction and retrofit projects. Our packaged rooftop units are built to be a direct replacement for most rooftop units on the field without the need of a curb adapter, to be able to replace the unit in a shorter time and at a lower cost (compared to the previous design).

Cabinet Construction

Daikin packaged rooftop units are made with high quality galvanized steel with a powder-paint finish to provide higher corrosion resistance.

- » Easy accessibility using our tool-less filter access.
- » The interior surface in the indoor air section is fully insulated to prevent sweating and thermal losses, using our foil face fiberglass insulation which also omits exposed filter fibers into the airstream.
- » 1" Raised flanged edges around the supply and return offer easy installation for the duct connections.

- » The full perimeter base rail is built using heavy gauge galvanized steel for a stronger structural installation, the base rails are a minimum of 3 ½" tall and include holes to allow for overhead rigging and lifting with forklifts.
- » Electrical lines and can be brought through the base of the unit or through the horizontal knockout for easy installation and accessibility on the field.

Compressor

High performance, low noise scroll compressors to match the required total load.

- » Resiliently factory-mounted on rubber grommets for vibration isolation
- » Refrigeration circuit includes both low- and high-pressure transducer, high pressure safety switch and temperature sensors for the suction and discharge.
- » Unit is factory charged with environmentally friendly R-410A refrigerant.
- » Dual single-stage scroll compressor
- » Compressor location outside the condenser section to avoid air bypass.
- » Internal overload protection included with compressor.

Supply Fan

Indoor forward curb fans paired with belt-drive motors provide an easy in the field belt and pulley adjustment for airflow control.

- » Slide out forward curb fan for easy maintenance and replacement.
- » High-static drive options for application with high airflow/ static requirements.
- » Each fan assembly is dynamically trim balanced at the factory before shipment for quick start-up and efficient operation.
- » Motor with thermal overload and phase failure protection is provided for motor long lasting operation.

Coils

All units use large face area outdoor coils. These coils are constructed with seamless copper tubes, mechanically bonded into aluminum plate-type fins with full drawn collars to completely cover the tubes for high operating efficiencies.

The indoor coil section is installed in a draw through configuration to provide better dehumidification.



Features and Benefits

- » Coils are factory pressure tested to ensure pressure and leak integrity.
- » Copper tube / aluminum fin coils on condenser and evaporator
- » 5mm Smart Coil Technology on all condenser coils for improved performance and reduced refrigerant load.

Controls and Wiring

Packaged rooftop units come equipped with a well-organized, large, easy to use weatherproof internal control box with easy access, for a better user experience.

- » Units are factory-wired with labeled color-coded wires and complete 24-volt Electromechanical controls package.
- » Units include single-point power entry as standard and also available with electric heat kits if selected.
- » Terminal blocks are provided as standard for easy installation and field power wiring.

Filtration

Unit provides a draw-through filter section as standard for better air quality and long lasting component maintenance.

- » Filters installed on the units are standard off the shelf sizes for easy replacement.
- » One or two size filter per unit for low maintenance cost and easy replacement.
- » Tool-less filter access for easy and fast filter replacement and service.

Heating Section

Wide ranging of electric heat selections effectively handle most comfort heating demand from morning warm-up control to full heat.

Electric Heat

ETL approved electric heat is factory assembled, installed and tested.

- » Heating control is fully integrated into the unit's control system for quick start-up and reliable control.

- » Durable low watt density, nickel chromium elements provide longer life (compared to units without).
- » Fuses are provided in each branch circuit to a maximum of 48 Amps per NEC requirements.
- » Single-point power connection reduces installation cost.
- » For operational safeties electric heat includes automatic reset, and high temperature limit safety protection and an airflow safety switch to prevent electric heat operation in the event of no airflow.

Electrical

Units are completely wired and tested at the factory to provide faster commissioning and start-up.

- » Wiring complies with NEC requirements and all applicable UL standards.
- » For ease of use, wiring and electrical components are number coded and labeled according to the electrical diagram.
- » A 120 V GFI convenience receptacle requiring independent power supply for the receptacle is optional.
- » An optional unit powered 20 amp 115 V convenience receptacle, complete with factory mounted transformer, disconnect switch, and primary and secondary overload protection, eliminates the need to pull a separate 115 V power source.
- » Supply air fan, compressor, and condenser fan motor branch circuits have individual short circuit protection. Unit includes knockouts in the bottom of the main control panels for field wiring entrance.
- » A single-point power connection with power block is standard and a terminal board is provided for connecting low voltage control wiring.
- » For better serviceability an optional non-fused disconnect switch can be installed inside the control panel and operated by an externally mounted handle to disconnect the electrical power at the unit



Applications

Daikin Rooftop units are intended for comfort cooling applications in normal heating, ventilating, and air conditioning. Consult your local Daikin sales representative for applications involving operations at high ambient temperatures, high altitudes, non-cataloged voltages, or for job-specific unit selections that fall outside of the range of the catalog tables.

For proper operation, units should be rigged in accordance with instructions stated on the installation manual. Fire dampers, if required, must be installed in the ductwork according to local and/or state codes. No space is allowed for these dampers in the unit.

Follow factory check, test and start procedures explicitly to achieve satisfactory start-up and operation.

Most rooftop applications take advantage of the significant energy savings provided with economizer operation. When an economizer system is used, mechanical refrigeration is typically not required below an ambient temperature of 50°F.

Serviceability

Daikin packaged rooftop units are built with serviceability in mind, designed to make future maintenance and service on the unit easy and accessible.

- » Our packaged rooftop units offer a slide out blower to facilitate the access and removal of the fan.
- » Filter panels on the small chassis line offer tool-less access for easy maintenance.
- » Independent compressor outside of the air bypass to eliminate component blockage and provide easy access.
- » Labeled field connections, color coded and continuously marked wire to identify point-to-point component connections.
- » All 3-12.5 ton units are designed for convertible airflow orientation to serve downflow or horizontal applications. Every unit ships prepared to convert to horizontal orientation in the field if required.
- » Condenser clean out from inside-out.
- » Easy access to gas valves and control panel.



Model	DBH0903V000001S	DBH0904V000001S	DBH0907V000001S	DBH1023V000001S	DBH1024V000001S	DBH1027V000001S
COOLING CAPACITY						
Total BTU/H	88,000	88,000	88,000	99,000	99,000	99,000
IEER / EER	12.5/11.2	12.5/11.2	12.5/11.2	12.5/11	12.5/11	12.5/11
AHRI Reference #	206214523	205406724	206214523	206214524	206214524	206214524
EVAPORATOR MOTOR COIL						
Motor Type	Belt-Drive	Belt-Drive	Belt-Drive	Belt-Drive	Belt-Drive	Belt-Drive
External Static Pressure (ESP)	STANDARD	STANDARD	STANDARD	STANDARD	STANDARD	STANDARD
Wheel Dia. X Width	Ø15.12 X 12.62	Ø15.12 X 12.62	Ø15.12 X 12.62	Ø15.12 X 12.62	Ø15.12 X 12.62	Ø15.12 X 12.62
Indoor Nominal CFM	2850	2850	2850	3400	3400	3400
RPM	1740/1160	1740/1160	1740/1160	1740/1160	1740/1160	1740/1160
Indoor Horsepower	2.00	2.00	2.00	2.00	2.00	2.00
Filter Size (in)	16X25X2 (4)	16X25X2 (4)	16X25X2 (4)	20x25x2(2) + 25x25x2(2)	20x25x2(2) + 25x25x2(2)	20x25x2(2) + 25x25x2(2)
Drain Size (NPT)	¾	¾	¾	¾	¾	¾
R-410A Refrigerant Charge (oz.)	195(C1)/196(C2)	195(C1)/196(C2)	195(C1)/196(C2)	245(C1)/233(C2)	245(C1)/233(C2)	245(C1)/233(C2)
Evaporator Coil Face Area (ft²)	12.8	12.8	12.8	16.6	16.6	16.6
Rows Deep/ Fins per Inch	4/16	4/16	4/16	4/16	4/16	4/16
BELT-DRIVE EVAPORATOR FAN DATA						
Motor Sheave	1VL40X7/8	1VL40X7/8	1VL40X7/8	1VL40X7/8	1VL40X7/8	1VL40X7/8
Blower Sheave	AK84H	AK84H	AK84H	AK79H	AK79H	AK79H
Belt	AX51	AX51	AX51	AX51	AX51	AX51
CONDENSER FAN/COIL						
Quantity of Condenser Fan Motors	2	2	2	2	2	2
RPM (High/Low stage)	1150	1150	1150	1150	1150	1150
Outdoor Horsepower	1/3	1/3	1/3	1/3	1/3	1/3
Fan Diameter/ # Fan Blades	22/3	22/3	22/3	22/3	22/3	22/3
Face Area (ft²)	17.5(C1)/17.5(C2)	17.5(C1)/17.5(C2)	17.5(C1)/17.5(C2)	17.5(C1)/17.5(C2)	17.5(C1)/17.5(C2)	17.5(C1)/17.5(C2)
Rows Deep / Fins per Inch	2/16	2/16	2/16	2/16	2/16	2/16
COMPRESSOR						
Quantity / Type / Stages	2/SCROLL/1	2/SCROLL/1	2/SCROLL/1	2/SCROLL/1	2/SCROLL/1	2/SCROLL/1
Compressor RLA / LRA	13.1/83.1	6.1/41.0	4.4/33.0	14.5/98.0	6.3/55.0	6.0/41.0
ELECTRICAL DATA						
Voltage-Phase-Frequency	208/230-3-60	460-3-60	575-3-60	208/230-3-60	460-3-60	575-3-60
Indoor Blower FLA	6	2.9	2.4	6	2.9	2.4
Max External Static (In. W.C.)	0.8	0.8	0.8	0.8	0.8	0.8
Outdoor Fan FLA	3.5	1.6	3.5	3.5	1.6	3.5
Min. Circuit Ampacity ¹	42.6/42.6	19.8	19.2	45.6/45.6	20.4	23
Max. Overcurrent Protection (A) ²	50/50	25	20	60/60	25	25
Power Supply Conduit Hole Dia. (in)	1.375	1.375	1.375	1.375	1.375	1.375
Low-Voltage Conduit Hole Dia. (in)	0.375	0.375	0.375	0.375	0.375	0.375
OPERATING WEIGHT (LBS.)						
Operating Weight (lbs)	1152	1162	1201	1212	1222	1261
SHIPPING WEIGHT (LBS.)						
Ship Weight (lbs)	1227	1237	1276	1287	1297	1261

¹ Wire size should be determined in accordance with National Electrical Codes. Extensive wire runs will require larger wire sizes.

² May use fuses or HACR-type circuit breakers of the same size as noted.

Note: Always check the S&R plate for electrical data on the unit being installed.

Model	DBH1203V000001S	DBH1204V000001S	DBH1207V000001S	DBH1503V000001S	DBH1504V000001S	DBH1507V000001S
COOLING CAPACITY						
Total BTU/H	112,000	112,000	112,000	140,000	140,000	140,000
IEER / EER	12.5/11	12.5/11	12.5/11	11.6/10.6	11.6/10.6	11.6/10.6
AHRI Reference #	205406728	205406728	206214525	207093767	207093767	207093767
MOTOR SPECIFICATIONS						
Motor Type	Belt-Drive	Belt-Drive	Belt-Drive	Belt Drive	Belt Drive	Belt Drive
External Static Pressure (ESP)	STANDARD	STANDARD	STANDARD	STANDARD	STANDARD	STANDARD
Wheel Dia. X Width	Ø15.12 X 15.00	Ø15.12 X 15.00	Ø15.12 X 15.00	'Ø15 x 15	'Ø15 x 15	'Ø15 x 15
Indoor Nominal CFM	4000	4000	4000	4250	4250	4250
RPM	1740/1160	1740/1160	1740/1160	1760/1165	1760/1165	1760/1165
Indoor Horsepower	2.00	2.00	2.00	3.00	3.00	3.00
Filter Size (in)	20x25x2(2) + 25x25x2(2)	20x25x2(2) + 25x25x2(2)	20x25x2(2) + 25x25x2(2)	25 X 25 X 2 (4)	25 X 25 X 2 (4)	25 X 25 X 2 (4)
Drain Size (NPT)	¾	¾	¾	¾	¾	¾
R-410A Refrigerant Charge (oz.)	229(C1)/240(C2)	229(C1)/240(C2)	229(C1)/240(C2)	310(C1)/285(C2)	310(C1)/285(C2)	310(C1)/285(C2)
Evaporator Coil Face Area (ft²)	16.6	16.6	16.6	18.7	18.7	18.7
Rows Deep/ Fins per Inch	4/16	4/16	4/16	4/16	4/16	4/16
BELT-DRIVE EVAPORATOR FAN DATA						
Motor Sheave	1VL40X7/8	1VL40X7/8	1VL40X7/8	1VP44X1-1/8	1VP44X1-1/8	1VP44X1-1/8
Blower Sheave	AK79H	AK79H	AK79H	AK84H	AK84H	AK84H
Belt	AX51	AX51	AX51	AX51	AX51	AX51
CONDENSER FAN/COIL						
Quantity of Condenser Fan Motors	2	2	2	2	2	2
RPM (High/Low stage)	1150	1150	1150	1130	1075	1075
Outdoor Horsepower	1/3	1/3	1/3	1/2	1/2	1/2
Fan Diameter / # Fan Blades	22/3	22/3	22/3	22/3	22/3	22/3
Face Area (ft²)	19.7(C1)/19.7(C2)	19.7(C1)/19.7(C2)	19.7(C1)/19.7(C2)	21.5(C1)/21.5(C2)	21.5(C1)/21.5(C2)	21.5(C1)/21.5(C2)
Rows Deep / Fins per Inch	2/16	2/16	2/16	3/16	3/16	3/16
COMPRESSOR						
Quantity / Type / Stages	2/SCROLL/1	2/SCROLL/1	2/SCROLL/1	2/SCROLL/1	2/SCROLL/1	2/SCROLL/1
Compressor RLA / LRA	15.9/110	7.1/52.0	5.1/39.5	22.4/149	10.6/75	7.7/54
ELECTRICAL DATA						
Voltage-Phase-Frequency	208/230-3-60	460-3-60	575-3-60	208/230-3-60	460-3-60	575-3-60
Indoor Blower FLA	6	2.9	2.4	9.1	4.3	3.5
Max External Static (In. W.C.)	0.8	0.8	0.8	0.8	0.8	0.8
Outdoor Fan FLA	3.5	1.6	3.5	2.7	1.4	1
Min. Circuit Ampacity ¹	48.8/48.8	22	20.9	65.0/65.0	30.9	22.8
Max. Overcurrent Protection (A) ²	60/60	25	25	80/80	40	30
Power Supply Conduit Hole Dia. (in)	1.375	1.375	1.375	1.375	1.375	1.375
Low-Voltage Conduit Hole Dia. (in)	0.375	0.375	0.375	0.375	0.375	0.375
OPERATING WEIGHT (LBS.)						
Operating Weight (lbs)	1216	1226	1265	1314	1314	1314
SHIPPING WEIGHT (LBS.)						
Ship Weight (lbs)	1291	1301	1340	1394	1394	1394

¹ Wire size should be determined in accordance with National Electrical Codes. Extensive wire runs will require larger wire sizes.

² May use fuses or HACR-type circuit breakers of the same size as noted.

Note: Always check the S&R plate for electrical data on the unit being installed.

Product Specifications

AHRI Ratings

Cooling				47°F Heating		17°F Heating
Nominal Tonnage	Cooling Capacity (BTU/hr)	EER	IEER	Capacity (BTU/hr)	COP	COP
7.5T HP	88,000	11.2	12.5	80,000	3.30	2.25
8.5T HP	99,000	11.0	12.5	94,000	3.30	2.25
10T HP	112,000	11.0	12.5	106,000	3.30	2.25
12.5T HP	140,000	10.6	11.6	140,000	3.20	2.05

Sound Data

Model	OUTDOOR SOUND (DB) AT 60 Hz								
	A-Weighted	63	125	250	500	1000	2000	4000	8000
090	82.9	91.5	84.1	82	79.7	77.6	75.2	71.7	69
102	80.2	89.1	81.1	78.7	77.1	76.1	70.8	66.5	64.1
120	81.8	91.9	82.8	81.9	79.1	76.9	72.9	68.3	66
150	83.0	92.3	87.8	83	80.4	78.2	73.8	70.1	62.6

Notes:

- ¹ Outdoor sound data is measured in accordance with AHRI standard 270.
- ² Measurements are expressed in terms of sound power. Do not compare these values to sound pressure values because sound pressure depends on specific environment factors which normally do not match individual applications. Sound power values are independent of the environment and therefore more accurate.
- ³ A-weighted sound ratings filter out high and very low frequencies, to better approximate the response of "average" human ear. A-weighted measurements for Daikin units are taken in accordance with AHRI standard 270.

Coil Dimensions

Model	Tons	Fin height in.	Fin length in.
DBH	7.5	34.6	53.1
	8.5	45.0	53.1
	10	45.0	53.1
	12.5	52.0	51.8

HP Performance

	CAP 47F (Kbtu/hr)	CAP 17F (Kbtu/hr)	COP 47F	COP 17F
7.5T HP	80	45	3.3	2.25
8.5T HP	94	55	3.3	2.25
10T HP	106	62	3.3	2.25
12.5T HP	140	86	3.2	2.05

DBH090*V Standard Static Downshot

ESP, In H ₂ O	TURNS OPEN																	
	0			1			2			3			4			5		
	CFM	RPM	BHP	CFM	RPM	BHP	CFM	RPM	BHP	CFM	RPM	BHP	CFM	RPM	BHP	CFM	RPM	BHP
0.1	-	-	-	-	-	-	-	-	-	-	-	-	3532	620	1.05	3276	600	0.78
0.2	-	-	-	-	-	-	-	-	-	3601	663	1.13	3264	620	0.93	2947	600	0.67
0.3	-	-	-	-	-	-	3654	707	1.18	3323	663	1.00	2955	620	0.81	2617	600	0.57
0.4	-	-	-	3728	748	1.24	3377	707	1.05	3011	663	0.87	2606	620	0.68	-	-	-
0.5	3791	786	1.44	3456	748	1.11	3072	707	0.92	2664	663	0.74	-	-	-	-	-	-
0.6	3519	786	1.29	3159	748	0.98	2740	707	0.79	-	-	-	-	-	-	-	-	-
0.7	3228	786	1.14	2839	748	0.86	-	-	-	-	-	-	-	-	-	-	-	-
0.8	2917	786	1.00	2496	748	0.73	-	-	-	-	-	-	-	-	-	-	-	-

DBH090*S High-Static Downshot

ESP, In H ₂ O	TURNS OPEN																	
	0			1			2			3			4			5		
	CFM	RPM	BHP	CFM	RPM	BHP	CFM	RPM	BHP	CFM	RPM	BHP	CFM	RPM	BHP	CFM	RPM	BHP
0.8	-	-	-	-	-	-	-	-	-	-	-	-	3726	889	1.87	3347	836	1.59
0.9	-	-	-	-	-	-	-	-	-	-	-	-	3575	888	1.78	3078	837	1.43
1.0	-	-	-	-	-	-	-	-	-	3782	939	2.10	3345	888	1.64	2808	838	1.28
1.1	-	-	-	-	-	-	-	-	-	3549	940	1.94	3035	889	1.46	2539	840	1.14
1.2	-	-	-	-	-	-	-	-	-	3310	942	1.77	2645	891	1.25	-	-	-
1.3	-	-	-	-	-	-	3631	987	2.05	3064	943	1.62	-	-	-	-	-	-
1.4	-	-	-	-	-	-	3398	990	1.89	2811	944	1.46	-	-	-	-	-	-
1.5	-	-	-	3727	1044	2.32	3152	993	1.73	2552	945	1.31	-	-	-	-	-	-
1.6	-	-	-	3506	1047	2.15	2896	996	1.57	-	-	-	-	-	-	-	-	-
1.7	3796	1093	2.82	3276	1050	1.98	2628	1000	1.41	-	-	-	-	-	-	-	-	-
1.8	3574	1096	2.62	3038	1053	1.81	-	-	-	-	-	-	-	-	-	-	-	-

DBH090*V Standard Static Horizontal

ESP, In H ₂ O	TURNS OPEN																	
	0			1			2			3			4			5		
	CFM	RPM	BHP	CFM	RPM	BHP	CFM	RPM	BHP	CFM	RPM	BHP	CFM	RPM	BHP	CFM	RPM	BHP
0.1	-	-	-	-	-	-	3758	707	1.23	3479	663	1.07	3170	620	0.86	3000	600	0.69
0.2	-	-	-	-	-	-	3612	707	1.16	3356	663	1.02	3004	620	0.79	2685	600	0.59
0.3	-	-	-	3714	748	1.24	3415	707	1.07	3115	663	0.92	2736	620	0.69	-	-	-
0.4	3776	786	1.43	3499	748	1.14	3169	707	0.97	2756	663	0.78	-	-	-	-	-	-
0.5	3560	786	1.32	3225	748	1.02	2872	707	0.85	-	-	-	-	-	-	-	-	-
0.6	3306	786	1.19	2891	748	0.88	2526	707	0.72	-	-	-	-	-	-	-	-	-
0.7	3014	786	1.05	2498	748	0.74	-	-	-	-	-	-	-	-	-	-	-	-
0.8	2685	786	0.90	-	-	-	-	-	-	-	-	-	-	-	-	-	-	-

DBH090*S High-Static Horizontal

ESP, In H ₂ O	TURNS OPEN																	
	0			1			2			3			4			5		
	CFM	RPM	BHP	CFM	RPM	BHP	CFM	RPM	BHP	CFM	RPM	BHP	CFM	RPM	BHP	CFM	RPM	BHP
0.8	-	-	-	-	-	-	-	-	-	-	-	-	3582	889	1.78	2926	836	1.34
0.9	-	-	-	-	-	-	-	-	-	-	-	-	3144	888	1.52	2659	837	1.20
1.0	-	-	-	-	-	-	-	-	-	3582	939	1.96	2797	888	1.32	-	-	-
1.1	-	-	-	-	-	-	3727	983	2.12	3282	940	1.75	2540	889	1.19	-	-	-
1.2	-	-	-	-	-	-	3469	985	1.94	2952	942	1.55	-	-	-	-	-	-
1.3	-	-	-	3779	1038	2.37	3209	987	1.77	2593	943	1.33	-	-	-	-	-	-
1.4	-	-	-	3520	1041	2.17	2948	990	1.60	-	-	-	-	-	-	-	-	-
1.5	-	-	-	3249	1044	1.97	2686	993	1.45	-	-	-	-	-	-	-	-	-
1.6	3590	1090	2.65	2965	1047	1.77	2422	996	1.30	-	-	-	-	-	-	-	-	-
1.7	3328	1093	2.42	2668	1050	1.58	-	-	-	-	-	-	-	-	-	-	-	-
1.8	3052	1096	2.20	-	-	-	-	-	-	-	-	-	-	-	-	-	-	-

DBH102*V Standard Static Downshot

ESP, IN H ₂ O	TURNS OPEN																	
	0			1			2			3			4			5		
	CFM	RPM	BHP	CFM	RPM	BHP	CFM	RPM	BHP	CFM	RPM	BHP	CFM	RPM	BHP	CFM	RPM	BHP
0.1	-	-	-	-	-	-	-	-	-	-	-	-	-	-	-	3933	610	1.29
0.2	-	-	-	-	-	-	-	-	-	-	-	-	4039	655	1.46	3658	611	1.20
0.3	-	-	-	-	-	-	-	-	-	4172	693	1.66	3763	655	1.35	3355	611	1.10
0.4	-	-	-	-	-	-	-	-	-	3914	698	1.54	3473	655	1.24	3006	612	0.99
0.5	-	-	-	-	-	-	4032	742	1.73	3629	698	1.42	3138	657	1.12	-	-	-
0.6	-	-	-	4169	787	1.95	3740	743	1.60	3287	699	1.28	-	-	-	-	-	-
0.7	-	-	-	3908	787	1.81	3428	743	1.46	2875	704	1.14	-	-	-	-	-	-
0.8	4038	832	2.05	3597	792	1.66	3071	748	1.32	-	-	-	-	-	-	-	-	-

DBH102*S High-Static Downshot

ESP, IN H ₂ O	TURNS OPEN																	
	0			1			2			3			4			5		
	CFM	RPM	BHP	CFM	RPM	BHP	CFM	RPM	BHP	CFM	RPM	BHP	CFM	RPM	BHP	CFM	RPM	BHP
0.8	-	-	-	-	-	-	-	-	-	-	-	-	-	-	-	3841	837	1.98
0.9	-	-	-	-	-	-	-	-	-	-	-	-	4060	890	2.33	3532	840	1.82
1.0	-	-	-	-	-	-	-	-	-	-	-	-	3846	893	2.19	3253	843	1.67
1.1	-	-	-	-	-	-	-	-	-	4128	941	2.61	3521	893	2.00	-	-	-
1.2	-	-	-	-	-	-	-	-	-	3903	942	2.44	3223	895	1.83	-	-	-
1.3	-	-	-	-	-	-	-	-	-	3611	945	2.25	-	-	-	-	-	-
1.4	-	-	-	-	-	-	3904	994	2.67	3320	948	2.07	-	-	-	-	-	-
1.5	-	-	-	-	-	-	3643	998	2.48	-	-	-	-	-	-	-	-	-
1.6	-	-	-	3943	1042	2.94	3356	1002	2.28	-	-	-	-	-	-	-	-	-
1.7	-	-	-	3685	1046	2.74	3175	1004	2.11	-	-	-	-	-	-	-	-	-
1.8	4151	1102	3.49	3444	1053	2.56	-	-	-	-	-	-	-	-	-	-	-	-

DBH102*V Standard Static Horizontal

ESP, IN H ₂ O	TURNS OPEN																	
	0			1			2			3			4			5		
	CFM	RPM	BHP	CFM	RPM	BHP	CFM	RPM	BHP	CFM	RPM	BHP	CFM	RPM	BHP	CFM	RPM	BHP
0.1	-	-	-	-	-	-	-	-	-	4038	699	1.63	3759	656	1.37	3485	615	1.16
0.2	-	-	-	-	-	-	4161	743	1.83	3846	699	1.54	3559	655	1.29	3269	617	1.09
0.3	-	-	-	-	-	-	3969	743	1.74	3631	699	1.45	3334	659	1.20	3018	617	1.01
0.4	-	-	-	4075	788	1.94	3775	745	1.63	3428	704	1.35	3095	661	1.11	-	-	-
0.5	-	-	-	3883	788	1.83	3571	749	1.54	3194	704	1.26	2784	661	1.01	-	-	-
0.6	4017	832	2.08	3682	789	1.73	3340	749	1.43	2877	704	1.13	-	-	-	-	-	-
0.7	3806	832	1.96	3462	793	1.61	3039	749	1.30	-	-	-	-	-	-	-	-	-
0.8	3589	835	1.82	3170	793	1.47	-	-	-	-	-	-	-	-	-	-	-	-

DBH102*S High-Static Horizontal

ESP, IN H ₂ O	TURNS OPEN																	
	0			1			2			3			4			5		
	CFM	RPM	BHP	CFM	RPM	BHP	CFM	RPM	BHP	CFM	RPM	BHP	CFM	RPM	BHP	CFM	RPM	BHP
0.8	-	-	-	-	-	-	-	-	-	4012	943	2.53	3592	893	2.05	3125	842	1.62
0.9	-	-	-	-	-	-	-	-	-	3832	945	2.40	3366	895	1.93	-	-	-
1.0	-	-	-	-	-	-	4035	997	2.80	3645	948	2.27	3155	897	1.80	-	-	-
1.1	-	-	-	-	-	-	3833	998	2.65	3399	948	2.13	2881	897	1.68	-	-	-
1.2	-	-	-	4067	1044	3.06	3663	998	2.51	3235	950	2.01	-	-	-	-	-	-
1.3	-	-	-	3866	1047	2.90	3469	1001	2.38	2966	952	1.86	-	-	-	-	-	-
1.4	-	-	-	3720	1051	2.77	3273	1003	2.24	-	-	-	-	-	-	-	-	-
1.5	-	-	-	3527	1051	2.61	-	-	-	-	-	-	-	-	-	-	-	-
1.6	3826	1107	3.14	3320	1052	2.45	-	-	-	-	-	-	-	-	-	-	-	-
1.7	3664	1110	2.98	3188	1055	2.31	-	-	-	-	-	-	-	-	-	-	-	-
1.8	3471	1110	2.83	2797	1058	2.10	-	-	-	-	-	-	-	-	-	-	-	-

DBH120*V Standard Static Downshot

ESP, IN H ₂ O	TURNS OPEN																	
	0			1			2			3			4			5		
	CFM	RPM	BHP	CFM	RPM	BHP	CFM	RPM	BHP	CFM	RPM	BHP	CFM	RPM	BHP	CFM	RPM	BHP
0.1	-	-	-	-	-	-	-	-	-	-	-	-	4836	649	1.73	4463	610	1.41
0.2	-	-	-	-	-	-	-	-	-	4976	692	1.97	4557	650	1.60	4177	610	1.30
0.3	-	-	-	-	-	-	-	-	-	4641	693	1.82	4213	653	1.47	3783	610	1.17
0.4	-	-	-	-	-	-	4818	736	2.08	4382	694	1.68	3947	655	1.34	3447	610	1.05
0.5	-	-	-	-	-	-	4521	739	1.93	4017	696	1.53	-	-	-	-	-	-
0.6	-	-	-	4673	780	2.17	4232	741	1.77	3747	698	1.40	-	-	-	-	-	-
0.7	-	-	-	4393	784	2.01	3835	745	1.59	-	-	-	-	-	-	-	-	-
0.8	4614	823	2.32	4105	786	1.86	-	-	-	-	-	-	-	-	-	-	-	-

DBH120*S High-Static Downshot

ESP, IN H ₂ O	TURNS OPEN																	
	0			1			2			3			4			5		
	CFM	RPM	BHP	CFM	RPM	BHP	CFM	RPM	BHP	CFM	RPM	BHP	CFM	RPM	BHP	CFM	RPM	BHP
0.8	-	-	-	-	-	-	-	-	-	-	-	-	4605	836	2.37	3999	786	1.82
0.9	-	-	-	-	-	-	-	-	-	-	-	-	4290	837	2.19	3624	787	1.64
1.0	-	-	-	-	-	-	-	-	-	4689	887	2.60	3975	837	2.01	-	-	-
1.1	-	-	-	-	-	-	4880	930	2.94	4292	887	2.29	-	-	-	-	-	-
1.2	-	-	-	-	-	-	4728	936	2.88	3942	887	2.08	-	-	-	-	-	-
1.3	-	-	-	-	-	-	4384	940	2.62	-	-	-	-	-	-	-	-	-
1.4	-	-	-	4773	986	3.20	4077	942	2.42	-	-	-	-	-	-	-	-	-
1.5	-	-	-	4424	989	2.92	-	-	-	-	-	-	-	-	-	-	-	-
1.6	-	-	-	4065	992	2.65	-	-	-	-	-	-	-	-	-	-	-	-
1.7	4446	1035	3.16	-	-	-	-	-	-	-	-	-	-	-	-	-	-	-
1.8	4169	1040	2.94	-	-	-	-	-	-	-	-	-	-	-	-	-	-	-

DBH120*V Standard Static Horizontal

ESP, IN H ₂ O	TURNS OPEN																	
	0			1			2			3			4			5		
	CFM	RPM	BHP	CFM	RPM	BHP	CFM	RPM	BHP	CFM	RPM	BHP	CFM	RPM	BHP	CFM	RPM	BHP
0.1	-	-	-	-	-	-	4870	736	2.07	4582	697	1.77	4265	654	1.46	3926	610	1.24
0.2	-	-	-	-	-	-	4671	738	1.96	4368	698	1.66	4037	654	1.37	3666	610	1.17
0.3	-	-	-	-	-	-	4464	739	1.86	4129	698	1.56	3781	657	1.27	-	-	-
0.4	-	-	-	4639	781	2.13	4311	742	1.76	3941	698	1.46	3553	658	1.18	-	-	-
0.5	-	-	-	4400	784	2.01	4013	743	1.64	3654	701	1.35	3268	660	1.08	-	-	-
0.6	-	-	-	4246	786	1.90	3858	744	1.55	3387	703	1.24	-	-	-	-	-	-
0.7	-	-	-	3997	789	1.78	3561	746	1.42	-	-	-	-	-	-	-	-	-
0.8	4152	830	2.02	3746	791	1.65	3256	747	1.29	-	-	-	-	-	-	-	-	-

DBH120*S High-Static Horizontal

ESP, IN H ₂ O	TURNS OPEN																	
	0			1			2			3			4			5		
	CFM	RPM	BHP	CFM	RPM	BHP	CFM	RPM	BHP	CFM	RPM	BHP	CFM	RPM	BHP	CFM	RPM	BHP
0.8	-	-	-	-	-	-	-	-	-	4964	881	2.76	4421	832	2.16	3857	781	1.72
0.9	-	-	-	-	-	-	-	-	-	4728	882	2.57	4180	832	2.03	3455	781	1.54
1.0	-	-	-	-	-	-	-	-	-	4505	882	2.43	3879	833	1.86	-	-	-
1.1	-	-	-	-	-	-	4800	931	2.85	4080	885	2.17	-	-	-	-	-	-
1.2	-	-	-	-	-	-	4573	932	2.68	3932	887	2.08	-	-	-	-	-	-
1.3	-	-	-	4847	977	3.15	4305	936	2.51	-	-	-	-	-	-	-	-	-
1.4	-	-	-	4636	981	2.97	3962	937	2.27	-	-	-	-	-	-	-	-	-
1.5	-	-	-	4369	985	2.77	-	-	-	-	-	-	-	-	-	-	-	-
1.6	4747	1030	3.35	4045	989	2.54	-	-	-	-	-	-	-	-	-	-	-	-
1.7	4472	1035	3.12	-	-	-	-	-	-	-	-	-	-	-	-	-	-	-
1.8	3785	1041	2.60	-	-	-	-	-	-	-	-	-	-	-	-	-	-	-

DBH150*V STANDARD STATIC HORIZONTAL

ESP, IN H ₂ O	TURNS OPEN																	
	0			1			2			3			4			5		
	CFM	RPM	BHP	CFM	RPM	BHP	CFM	RPM	BHP	CFM	RPM	BHP	CFM	RPM	BHP	CFM	RPM	BHP
0.1				5717	814	3.01	5458	774	2.24	5117	731	1.99	4780	690	1.54	4440	645	1.35
0.2				5580	814	2.91	5261	774	2.11	4885	731	1.85	4538	690	1.42	4181	645	1.23
0.3				5409	814	2.78	5042	774	1.98	4640	731	1.71	4276	690	1.30	3892	645	1.11
0.4	5541	856	2.91	5204	814	2.63	4801	774	1.83	4383	731	1.57	3994	690	1.18			
0.5	5331	856	2.76	4964	814	2.46	4538	774	1.68	4114	731	1.43						
0.6	5108	856	2.60	4690	814	2.27	4254	774	1.53	3831	731	1.29						
0.7	4872	856	2.43	4382	814	2.07	3948	774	1.37									
0.8	4622	856	2.26	4039	814	1.86												

DBH150*S HIGH STATIC HORIZONTAL

ESP, IN H ₂ O	TURNS OPEN																	
	0			1			2			3			4			5		
	CFM	RPM	BHP	CFM	RPM	BHP	CFM	RPM	BHP	CFM	RPM	BHP	CFM	RPM	BHP	CFM	RPM	BHP
0.8							6109	1013	4.29	5785	975	3.57	5443	933	3.22	4992	895	2.81
0.9							5944	1013	4.11	5361	975	3.20	5092	933	2.93	4751	895	2.62
1.0				6149	1052	4.99	5761	1013	3.93	4989	975	2.89	4747	933	2.65	4472	895	2.41
1.1				5961	1052	4.78	5559	1013	3.73	4669	975	2.64	4407	933	2.40	4154	895	2.18
1.2	6126	1088	5.02	5759	1052	4.55	5338	1013	3.51	4402	975	2.45	4072	933	2.16	3798	895	1.94
1.3	5936	1088	4.81	5544	1052	4.32	5099	1013	3.29	4188	975	2.29	3742	933	1.94			
1.4	5738	1088	4.58	5316	1052	4.08	4840	1013	3.06	4025	975	2.18						
1.5	5531	1088	4.36	5074	1052	3.83	4563	1013	2.82	3915	975	2.10						
1.6	5317	1088	4.13	4819	1052	3.57	4266	1013	2.58									
1.7	5094	1088	3.90	4550	1052	3.32	3951	1013	2.33									
1.8	4863	1088	3.67	4269	1052	3.06												
1.9	4624	1088	3.44	3973	1052	2.80												

DBH150*V STANDARD STATIC DOWNSHOT

ESP, IN H ₂ O	TURNS OPEN																	
	0			1			2			3			4			5		
	CFM	RPM	BHP	CFM	RPM	BHP	CFM	RPM	BHP	CFM	RPM	BHP	CFM	RPM	BHP	CFM	RPM	BHP
0.1							6178	762	2.72	5793	721	2.42	5400	681	1.84	4957	642	1.59
0.2							5963	762	2.57	5529	721	2.24	5102	681	1.69	4625	642	1.43
0.3							5716	762	2.40	5241	721	2.06	4778	681	1.53	4276	642	1.27
0.4							5439	762	2.22	4929	721	1.87	4429	681	1.36	3910	642	1.12
0.5				5581	805	2.90	5131	762	2.02	4593	721	1.68	4053	681	1.20			
0.6				5289	805	2.68	4793	762	1.82	4233	721	1.48						
0.7				4980	805	2.46	4423	762	1.61	3848	721	1.29						
0.8	5141	840	2.87	4655	805	2.24	4023	762	1.40									

DBH150*S HIGH STATIC DOWNSHOT

ESP, IN H ₂ O	TURNS OPEN																	
	0			1			2			3			4			5		
	CFM	RPM	BHP	CFM	RPM	BHP	CFM	RPM	BHP	CFM	RPM	BHP	CFM	RPM	BHP	CFM	RPM	BHP
0.8													6078	935	3.79	5656	895	3.36
0.9													6269	972	4.01	5819	935	3.55
1.0													6022	972	3.78	5545	935	3.31
1.1							6226	1011	5.03	5760	972	3.54	5255	935	3.06	4765	895	2.63
1.2							5970	1011	4.73	5482	972	3.30	4950	935	2.82	4428	895	2.37
1.3				6118	1047	4.95	5711	1011	4.45	5189	972	3.05	4629	935	2.57	4070	895	2.12
1.4				5870	1047	4.67	5451	1011	4.16	4880	972	2.80	4293	935	2.32			
1.5	6096	1083	4.98	5624	1047	4.40	5190	1011	3.89	4556	972	2.56	3942	935	2.08			
1.6	5861	1083	4.71	5377	1047	4.14	4926	1011	3.63	4216	972	2.31						
1.7	5624	1083	4.45	5131	1047	3.88	4661	1011	3.37	3861	972	2.07						
1.8	5385	1083	4.20	4886	1047	3.64	4393	1011	3.12									
1.9	5144	1083	3.95	4641	1047	3.40	4124	1011	2.88									

Static Pressure

7.5-12.5 TONS		
DOWNFLOW ECONOMIZER PRESSURE DROP		
Cabinet	CFM	SP in.wg.
7.5 Ton	2250	.04"
	3000	.07"
	3750	.11"
8.5 Ton	2550	.06"
	3400	.10"
	4250	.16"
10 Ton	3000	.08"
	4000	.13"
	5000	.22"
12.5 Ton	3750	.14"
	5000	.24"
	6250	.36"

7.5-12.5 TONS		
HORIZONTAL ECONOMIZER PRESSURE DROP		
Cabinet	CFM	SP in.wg.
7.5 Ton	2250	.05"
	3000	.07"
	3750	.13"
8.5 Ton	2550	.07"
	3400	.13"
	4250	.18"
10 Ton	3000	.07"
	4000	.12"
	5000	.19"
12.5 Ton	3750	.09"
	5000	.15"
	6250	.24"

Electrical Data

Model Number	Electrical Rating	Compressor			Outdoor Fan Motor			Indoor Fan Motor			Optional Electric Heat			Optional Powered Convenience Outlet	Optional Power Exhaust	Power Supply	
		QTY	RLA	LRA	QTY	HP	FLA	TYPE	HP	FLA	PART #	KW*	FLA	FLA	FLA	MCA	MOP
DBH0903S	208/230/3/60	2	13.1	83.1	2	0.33	3.5	2-speed Belt-Drive High-Static	3	9.1	-	-	-	-	-	45.7/45.7	50/50
											-	-	-	9.6/8.7	-	55.3/54.4	60/60
											-	-	-	-	3.3/3.0	49.0/48.7	50/50
											-	-	-	9.6/8.7	3.3/3.0	58.6/57.4	60/60
											EH*B-3M15	11.3/15.0	31.3/36.1	-	-	84.8/90.8	90/100
														9.6/8.7	-	94.4/99.5	100/100
														-	3.3/3.0	88.1/93.8	90/100
											EH*B-3M30	22.5/30.0	62.5/72.2	9.6/8.7	-	97.7/102	100/110
														-	-	124/136	125/150
														-	3.3/3.0	133/145	150/150
											EH*B-3M45	33.8/45.0	93.8/108	9.6/8.7	-	137/148	150/150
														-	-	163/181	175/200
-	3.3/3.0	173/190	175/200														
-	-	-	9.6/8.7	3.3/3.0	176/193	200/200											
DBH0903V	208/230/3/60	2	13.1	83.1	2	0.33	3.5	2-speed Belt-Drive Standard Static	2	6	-	-	-	-	-	42.6/42.6	50/50
											-	-	-	9.6/8.7	-	52.2/51.3	60/60
											-	-	-	-	3.3/3.0	45.9/45.6	50/50
											-	-	-	9.6/8.7	3.3/3.0	55.5/54.3	60/60
											EH*B-3M15	11.3/15.0	31.3/36.1	-	-	81.7/87.7	90/90
														9.6/8.7	-	91.3/96.4	100/100
														-	3.3/3.0	85.0/90.7	90/100
											EH*B-3M30	22.5/30.0	62.5/72.2	9.6/8.7	-	94.6/99.4	100/100
														-	-	121/133	125/150
														-	3.3/3.0	130/141	150/150
											EH*B-3M45	33.8/45.0	93.8/108	9.6/8.7	-	134/144	150/150
														-	-	160/178	175/200
-	3.3/3.0	169/187	175/200														
-	-	-	9.6/8.7	3.3/3.0	173/190	175/200											
DBH0904S	460/3/60	2	6.1	41	2	0.33	1.6	2-speed Belt-Drive High-Static	3	4.3	-	-	-	-	-	21.2	25
											-	-	-	4.3	-	25.5	30
											-	-	-	-	1	22.2	25
											-	-	-	4.3	1	26.5	30
											EH*B-4M15	15	18	-	-	43.8	45
														4.3	-	48.1	50
														-	1	44.8	45
											EH*B-4M30	30	36.1	4.3	1	49.1	50
														-	-	66.3	70
														-	-	70.6	80
											EH*B-4M45	45	54.1	-	1	67.3	70
														4.3	1	71.6	80
-	-	88.9	90														
-	-	-	4.3	-	93.2	100											
-	-	-	-	1	89.9	90											
-	-	-	4.3	1	94.2	100											
DBH0904V	460/3/60	2	6.1	41	2	0.33	1.6	2-speed Belt-Drive Standard Static	2	2.9	-	-	-	-	-	19.8	25
											-	-	-	4.3	-	24.1	30
											-	-	-	-	1	20.8	25
											-	-	-	4.3	1	25.1	30
											EH*B-4M15	15	18	-	-	42.4	45
														4.3	-	46.7	50
														-	1	43.4	45
											EH*B-4M30	30	36.1	4.3	1	47.7	50
														-	-	64.9	70
														-	-	69.2	70
											EH*B-4M45	45	54.1	-	1	65.9	70
														4.3	1	70.2	80
-	-	87.5	90														
-	-	-	4.3	-	91.8	100											
-	-	-	-	1	88.5	90											
-	-	-	4.3	1	92.8	100											

Electrical Data

Model Number	Electrical Rating	Compressor			Outdoor Fan Motor			Indoor Fan Motor			Optional Electric Heat			Optional Powered Convenience Outlet	Optional Power Exhaust	Power Supply	
		QTY	RLA	LRA	QTY	HP	FLA	TYPE	HP	FLA	PART #	KW*	FLA	FLA	FLA	MCA	MOP
DBH0907S	575/3/60	2	4.4	33	2	0.33	3.5	2-speed Belt-Drive High-Static	3	3.5	-	-	-	-	-	20.3	25
											-	-	-	3.5	-	23.8	25
											-	-	-	-	1.2	21.5	25
											-	-	-	3.5	1.2	25	30
											EH*B-7M15	15	14.4	-	-	38.3	40
														3.5	-	41.8	45
														-	1.2	39.5	40
											EH*B-7M30	30	28.9	3.5	1.2	43	45
														-	-	56.4	60
														3.5	-	59.9	60
											EH*B-7M45	45	43.3	-	-	57.6	60
														3.5	1.2	61.1	70
-	-	74.4	80														
-	-	-	3.5	-	77.9	80											
-	-	-	-	1.2	75.6	80											
-	-	-	3.5	1.2	79.1	80											
DBH0907V	575/3/60	2	4.4	33	2	0.33	3.5	2-speed Belt-Drive Standard Static	2	2.4	-	-	-	-	-	19.2	20
											-	-	-	3.5	-	22.7	25
											-	-	-	-	1.2	20.4	25
											-	-	-	3.5	1.2	23.9	25
											EH*B-7M15	15	14.4	-	-	37.2	40
														3.5	-	40.7	45
														-	1.2	38.4	40
											EH*B-7M30	30	28.9	3.5	1.2	41.9	45
														-	-	55.3	60
														3.5	-	58.8	60
											EH*B-7M45	45	43.3	-	-	56.5	60
														3.5	1.2	60	60
-	-	73.3	80														
-	-	-	3.5	-	76.8	80											
-	-	-	-	1.2	74.5	80											
-	-	-	3.5	1.2	78	80											
DBH1023S	208/230/3/60	2	14.5	98	2	0.33	3.5	2-speed Belt-Drive High-Static	3	9.1	-	-	-	-	-	48.7/48.7	60/60
											-	-	-	9.6/8.7	-	58.3/57.4	70/70
											-	-	-	-	3.3/3.0	52.0/51.7	60/60
											-	-	-	9.6/8.7	3.3/3.0	61.6/60.4	70/70
											EH*B-3M15	11.3/15.0	31.3/36.1	-	-	87.8/93.8	90/100
														9.6/8.7	-	97.4/103	100/110
														-	3.3/3.0	91.1/96.8	100/100
											EH*B-3M30	22.5/30.0	62.5/72.2	9.6/8.7	3.3/3.0	101/106	110/110
														-	-	127/139	150/150
														9.6/8.7	-	136/148	150/150
											EH*B-3M45	33.8/45.0	93.8/108	-	-	130/142	150/150
														9.6/8.7	3.3/3.0	140/151	150/175
-	-	166/184	175/200														
-	-	-	9.6/8.7	-	176/193	200/200											
-	-	-	-	3.3/3.0	169/187	175/200											
-	-	-	9.6/8.7	3.3/3.0	179/196	200/200											
DBH1023V	208/230/3/60	2	14.5	98	2	0.33	3.5	2-speed Belt-Drive Standard Static	2	6	-	-	-	-	-	45.6/45.6	60/60
											-	-	-	9.6/8.7	-	55.2/54.3	60/60
											-	-	-	-	3.3/3.0	48.9/48.6	60/60
											-	-	-	9.6/8.7	3.3/3.0	58.5/57.3	60/60
											EH*B-3M15	11.3/15.0	31.3/36.1	-	-	84.7/90.7	90/100
														9.6/8.7	-	94.3/99.4	100/100
														-	3.3/3.0	88.0/93.7	90/100
											EH*B-3M30	22.5/30.0	62.5/72.2	9.6/8.7	3.3/3.0	97.6/102	100/110
														-	-	124/136	125/150
														9.6/8.7	-	133/145	150/150
											EH*B-3M45	33.8/45.0	93.8/108	-	-	127/139	150/150
														9.6/8.7	3.3/3.0	137/148	150/150
-	-	163/181	175/200														
-	-	-	9.6/8.7	-	172/190	175/200											
-	-	-	-	3.3/3.0	166/184	175/200											
-	-	-	9.6/8.7	3.3/3.0	176/193	200/200											

Electrical Data

Model Number	Electrical Rating	Compressor			Outdoor Fan Motor			Indoor Fan Motor			Optional Electric Heat			Optional Powered Convenience Outlet	Optional Power Exhaust	Power Supply	
		QTY	RLA	LRA	QTY	HP	FLA	TYPE	HP	FLA	PART #	KW*	FLA	FLA	FLA	MCA	MOP
DBH1024S	460/3/60	2	6.4	55	2	0.33	1.6	2-speed Belt-Drive High-Static	3	4.3	-	-	-	-	-	21.8	25
											-	-	-	4.3	-	26.1	30
											-	-	-	-	1	22.8	25
											-	-	-	4.3	1	27.1	30
											EH*B-4M15	15	18	-	-	44.3	45
														4.3	-	48.6	50
														-	1	45.3	50
											EH*B-4M30	30	36.1	4.3	1	49.6	50
														-	-	66.9	70
														4.3	-	71.2	80
											EH*B-4M45	45	54.1	-	1	67.9	70
														4.3	1	72.2	80
-	-	89.4	90														
EH*B-4M45	45	54.1	4.3	-	93.7	100											
			-	1	90.4	100											
			4.3	1	94.7	100											
DBH1024V	460/3/60	2	6.4	55	2	0.33	1.6	2-speed Belt-Drive Standard Static	2	2.9	-	-	-	-	-	20.4	25
											-	-	-	4.3	-	24.7	30
											-	-	-	-	1	21.4	25
											-	-	-	4.3	1	25.7	30
											EH*B-4M15	15	18	-	-	42.9	45
														4.3	-	47.2	50
														-	1	43.9	45
											EH*B-4M30	30	36.1	4.3	1	48.2	50
														-	-	65.5	70
														4.3	-	69.8	70
											EH*B-4M45	45	54.1	-	1	66.5	70
														4.3	1	70.8	80
-	-	88	90														
EH*B-4M45	45	54.1	4.3	-	92.3	100											
			-	1	89	90											
			4.3	1	93.3	100											
DBH1027S	575/3/60	2	6.0	41	2	0.33	3.5	2-speed Belt-Drive High-Static	3	3.5	-	-	-	-	-	24.1	30
											-	-	-	3.5	-	27.6	30
											-	-	-	-	1.2	25.3	30
											-	-	-	3.5	1.2	28.8	30
											EH*B-7M15	15	14.4	-	-	42.1	45
														3.5	-	45.6	50
														-	1.2	43.3	45
											EH*B-7M30	30	28.9	3.5	1.2	46.8	50
														-	-	60.1	70
														3.5	-	63.6	70
											EH*B-7M45	45	43.3	-	1.2	61.3	70
														3.5	1.2	64.8	70
-	-	78.2	80														
EH*B-7M45	45	43.3	3.5	-	81.7	90											
			-	1.2	79.4	80											
			3.5	1.2	82.9	90											
DBH1027V	575/3/60	2	6.0	41	2	0.33	3.5	2-speed Belt-Drive Standard Static	2	2.4	-	-	-	-	-	23	25
											-	-	-	3.5	-	26.5	30
											-	-	-	-	1.2	24.2	25
											-	-	-	3.5	1.2	27.7	30
											EH*B-7M15	15	14.4	-	-	41	45
														3.5	-	44.5	45
														-	1.2	42.2	45
											EH*B-7M30	30	28.9	3.5	1.2	45.7	50
														-	-	59	60
														3.5	-	62.5	70
											EH*B-7M45	45	43.3	-	1.2	60.2	70
														3.5	1.2	63.7	70
-	-	77.1	80														
EH*B-7M45	45	43.3	3.5	-	80.6	90											
			-	1.2	78.3	80											
			3.5	1.2	81.8	90											

Electrical Data

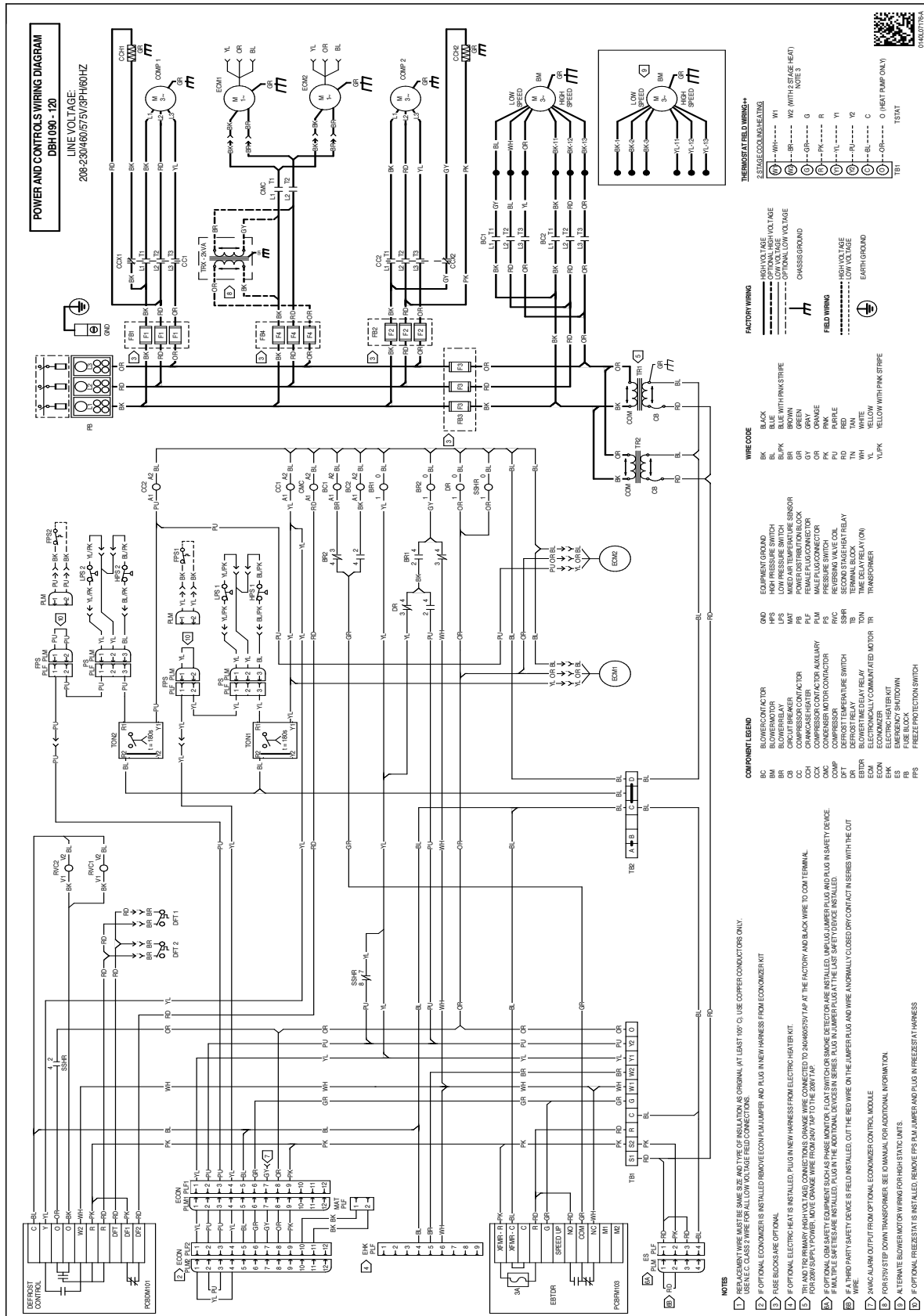
Model Number	Electrical Rating	Compressor			Outdoor Fan Motor			Indoor Fan Motor			Optional Electric Heat			Optional Powered Convenience Outlet	Optional Power Exhaust	Power Supply	
		QTY	RLA	LRA	QTY	HP	FLA	TYPE	HP	FLA	PART #	KW*	FLA	FLA	FLA	MCA	MOP
DBH1203S	208/230/3/60	2	15.9	110	2	0.33	3.5	2-speed Belt-Drive High-Static	3	9.1	-	-	-	-	-	51.9/51.9	60/60
											-	-	-	9.6/8.7	-	61.5/60.6	70/70
											-	-	-	-	3.3/3.0	55.2/54.9	60/60
											-	-	-	9.6/8.7	3.3/3.0	64.8/63.6	70/70
											EH*B-3M16	11.3/15.0	31.3/36.1	-	-	91.0/97.0	100/100
														9.6/8.7	-	101/106	110/110
														-	3.3/3.0	94.3/100.0	100/100
											EH*B-3M31	22.5/30.0	62.5/72.2	9.6/8.7	3.3/3.0	104/109	110/110
														-	-	130/142	150/150
														9.6/8.7	-	140/151	150/175
											EH*B-3M46	33.8/45.0	93.8/108	-	-	143/154	150/175
														9.6/8.7	-	169/187	175/200
-	3.3/3.0	179/196	200/200														
-	-	-	9.6/8.7	3.3/3.0	172/190	175/200											
-	-	-	9.6/8.7	3.3/3.0	182/199	200/200											
DBH1203V	208/230/3/60	2	15.9	110	2	0.33	3.5	2-speed Belt-Drive Standard Static	2	6	-	-	-	-	-	48.8/48.8	60/60
											-	-	-	9.6/8.7	-	58.4/57.5	70/70
											-	-	-	-	3.3/3.0	52.1/51.8	60/60
											-	-	-	9.6/8.7	3.3/3.0	61.7/60.5	70/70
											EH*B-3M16	11.3/15.0	31.3/36.1	-	-	87.9/93.9	90/100
														9.6/8.7	-	97.5/103	100/110
														-	3.3/3.0	91.2/96.9	100/100
											EH*B-3M31	22.5/30.0	62.5/72.2	9.6/8.7	3.3/3.0	101/106	110/110
														-	-	127/139	150/150
														9.6/8.7	-	137/148	150/150
											EH*B-3M46	33.8/45.0	93.8/108	-	-	130/142	150/150
														9.6/8.7	3.3/3.0	140/151	150/175
-	-	166/184	175/200														
-	-	-	9.6/8.7	-	176/193	200/200											
-	-	-	-	3.3/3.0	169/187	175/200											
-	-	-	9.6/8.7	3.3/3.0	179/196	200/200											
DBH1204S	460/3/60	2	7.1	52	2	0.33	1.6	2-speed Belt-Drive High-Static	3	4.3	-	-	-	-	-	23.4	30
											-	-	-	4.3	-	27.7	30
											-	-	-	-	1	24.4	30
											-	-	-	4.3	1	28.7	30
											EH*B-4M16	15	18	-	-	45.9	50
														4.3	-	50.2	60
														-	1	46.9	50
											EH*B-4M31	30	36.1	4.3	1	51.2	60
														-	-	68.5	70
														4.3	-	72.8	80
											EH*B-4M46	45	54.1	-	-	69.5	70
														4.3	1	73.8	80
-	-	91	100														
-	-	-	4.3	-	95.3	100											
-	-	-	-	1	92	100											
-	-	-	4.3	1	96.3	100											
DBH1204V	460/3/60	2	7.1	52	2	0.33	1.6	2-speed Belt-Drive Standard Static	2	2.9	-	-	-	-	-	22	25
											-	-	-	4.3	-	26.3	30
											-	-	-	-	1	23	25
											-	-	-	4.3	1	27.3	30
											EH*B-4M16	15	18	-	-	44.5	45
														4.3	-	48.8	50
														-	1	45.5	50
											EH*B-4M31	30	36.1	4.3	1	49.8	50
														-	-	67.1	70
														4.3	-	71.4	80
											EH*B-4M46	45	54.1	-	-	68.1	70
														4.3	1	72.4	80
-	-	89.6	90														
-	-	-	4.3	-	93.9	100											
-	-	-	-	1	90.6	100											
-	-	-	4.3	1	94.9	100											

Electrical Data

Model Number	Electrical Rating	Compressor			Outdoor Fan Motor			Indoor Fan Motor			Optional Electric Heat			Optional Powered Convenience Outlet	Optional Power Exhaust	Power Supply	
		QTY	RLA	LRA	QTY	HP	FLA	TYPE	HP	FLA	PART #	KW*	FLA	FLA	FLA	MCA	MOP
DBH1207S	575/3/60	2	5.1	39.5	2	0.33	3.5	2-speed Belt-Drive High-Static	3	3.5	-	-	-	-	-	22	25
											-	-	-	3.5	-	25.5	30
											-	-	-	-	1.2	23.2	25
											-	-	-	3.5	1.2	26.7	30
											EH*B-7M16	15	14.4	-	-	40.1	45
														3.5	-	43.6	45
														-	1.2	41.3	45
											EH*B-7M31	30	28.9	3.5	1.2	44.8	45
														-	-	58.1	60
														3.5	-	61.6	70
											EH*B-7M46	45	43.3	-	-	59.3	60
														3.5	1.2	62.8	70
-	-	76.2	80														
-	-	-	3.5	-	79.7	80											
-	-	-	-	1.2	77.4	80											
-	-	-	3.5	1.2	80.9	90											
DBH1207V	575/3/60	2	5.1	39.5	2	0.33	3.5	2-speed Belt-Drive Standard Static	2	2.4	-	-	-	-	-	20.9	25
											-	-	-	3.5	-	24.4	25
											-	-	-	-	1.2	22.1	25
											-	-	-	3.5	1.2	25.6	30
											EH*B-7M16	15	14.4	-	-	39	40
														3.5	-	42.5	45
														-	1.2	40.2	45
											EH*B-7M31	30	28.9	3.5	1.2	43.7	45
														-	-	57	60
														3.5	-	60.5	70
											EH*B-7M46	45	43.3	-	-	58.2	60
														3.5	1.2	61.7	70
-	-	75.1	80														
-	-	-	3.5	-	78.6	80											
-	-	-	-	1.2	76.3	80											
-	-	-	3.5	1.2	79.8	80											
DBH1503S	208/230/3/60	2	22.4	149	2	0.5	2.7	2-speed Belt-Drive High-Static	5	14	-	-	-	-	-	69.9/69.9	90/90
											-	-	-	9.6/8.7	-	79.5/78.6	100/100
											-	-	-	-	3.3/3.0	73.2/72.9	90/90
											-	-	-	9.6/8.7	3.3/3.0	82.8/81.6	100/100
											EH*B-3M16	11.3/15.0	31.3/36.1	-	-	109/115	110/125
														9.6/8.7	-	119/124	125/125
														-	3.3/3.0	112/118	125/125
											EH*B-3M31	22.5/30.0	62.5/72.2	9.6/8.7	3.3/3.0	122/127	125/150
														-	-	148/160	150/175
														9.6/8.7	-	158/169	175/175
											EH*B-3M46	33.8/45.0	93.8/108	-	-	151/163	175/175
														9.6/8.7	3.3/3.0	161/172	175/175
-	-	187/205	200/225														
-	-	-	9.6/8.7	-	197/214	200/225											
-	-	-	-	3.3/3.0	190/208	200/225											
-	-	-	9.6/8.7	3.3/3.0	200/217	225/225											
DBH1503V	208/230/3/60	2	22.4	149	2	0.5	2.7	2 speed Belt Drive Standard Static	3	9.1	-	-	-	-	-	65.0/65.0	80/80
											-	-	-	9.6/8.7	-	74.6/73.7	90/90
											-	-	-	-	3.3/3.0	68.3/68.0	80/80
											-	-	-	9.6/8.7	3.3/3.0	77.9/76.7	90/90
											EH*B-3M16	11.3/15.0	31.3/36.1	-	-	104/110	110/125
														9.6/8.7	-	114/119	125/125
														-	3.3/3.0	107/113	110/125
											EH*B-3M31	22.5/30.0	62.5/72.2	9.6/8.7	3.3/3.0	117/122	125/125
														-	-	143/155	150/175
														9.6/8.7	-	153/164	175/175
											EH*B-3M46	33.8/45.0	93.8/108	-	-	146/158	150/175
														9.6/8.7	3.3/3.0	156/167	175/175
-	-	182/200	200/225														
-	-	-	9.6/8.7	-	192/209	200/225											
-	-	-	-	3.3/3.0	186/203	200/225											
-	-	-	9.6/8.7	3.3/3.0	195/212	200/225											

Electrical Data

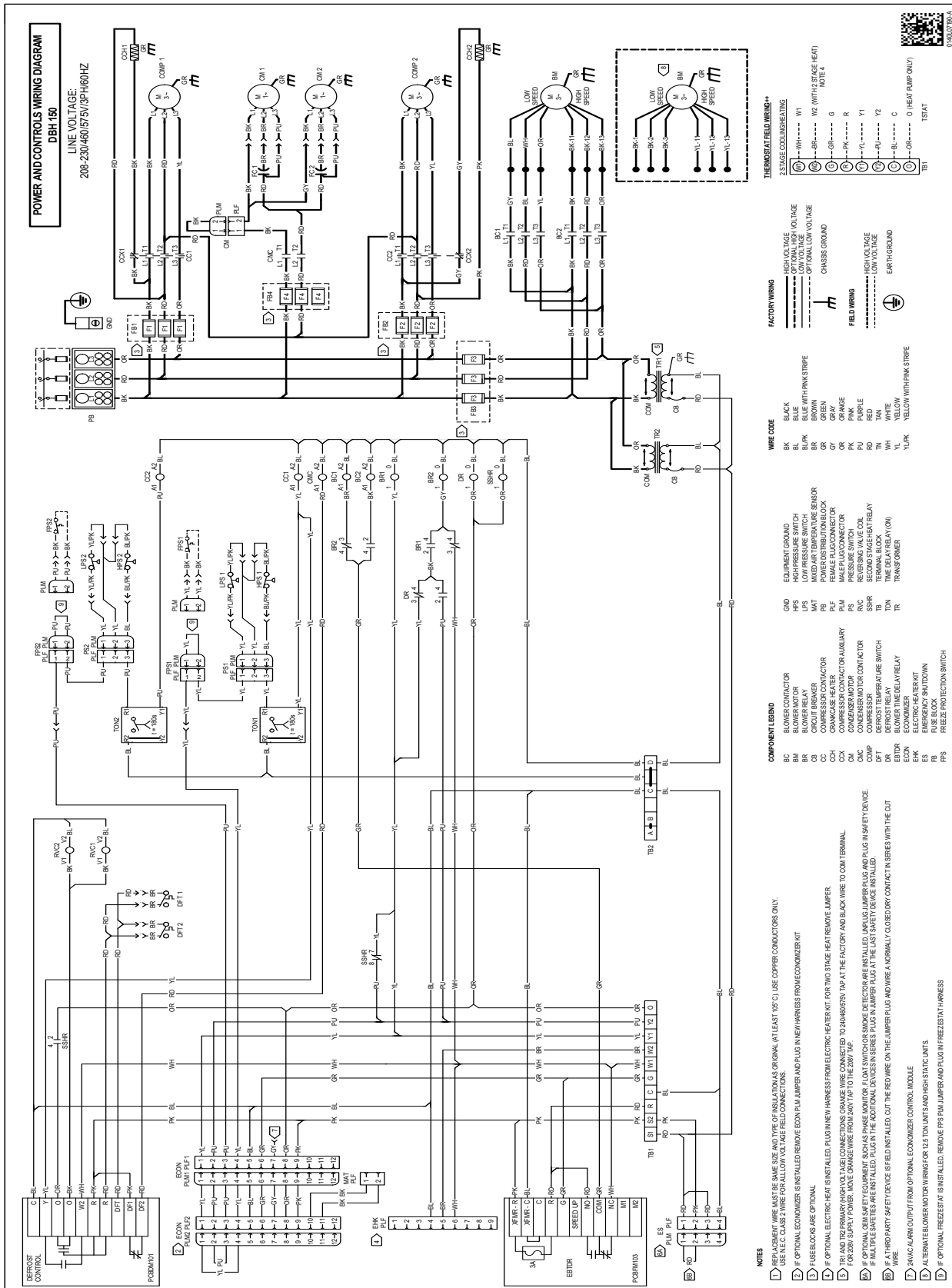
Model Number	Electrical Rating	Compressor			Outdoor Fan Motor			Indoor Fan Motor			Optional Electric Heat			Optional Powered Convenience Outlet	Optional Power Exhaust	Power Supply	
		QTY	RLA	LRA	QTY	HP	FLA	TYPE	HP	FLA	PART #	KW*	FLA	FLA	FLA	MCA	MOP
DBH1504S	460/3/60	2	10.6	75	2	0.5	1.4	2-speed Belt-Drive High-Static	5	6.6	-	-	-	-	-	33.2	40
											-	-	-	4.3	-	37.5	45
											-	-	-	-	1	34.2	40
											-	-	-	4.3	1	38.5	45
											EH*B-4M16	15	18	-	-	55.7	60
														4.3	-	60	70
														-	1	56.7	60
											EH*B-4M31	30	36.1	4.3	1	61	70
														-	-	78.3	80
														4.3	-	82.6	90
											EH*B-4M46	45	54.1	-	-	79.3	80
														4.3	1	83.6	90
-	-	101	110														
-	-	-	4.3	-	105	110											
-	-	-	-	1	102	110											
-	-	-	4.3	1	106	110											
DBH1504V	460/3/60	2	10.6	75	2	0.5	1.4	2 speed Belt Drive Standard Static	3	4.3	-	-	-	-	-	30.9	40
											-	-	-	4.3	-	35.2	45
											-	-	-	-	1	31.9	40
											-	-	-	4.3	1	36.2	45
											EH*B-4M16	15	18	-	-	53.4	60
														4.3	-	57.7	60
														-	1	54.4	60
											EH*B-4M31	30	36.1	4.3	1	58.7	60
														-	-	76	80
														4.3	-	80.3	90
											EH*B-4M46	45	54.1	-	-	77	80
														4.3	1	81.3	90
-	-	98.6	100														
-	-	-	4.3	-	103	110											
-	-	-	-	1	99.6	100											
-	-	-	4.3	1	104	110											
DBH1507S	575/3/60	2	7.7	54	2	0.5	1	2-speed Belt-Drive High-Static	5	5.2	-	-	-	-	-	24.5	30
											-	-	-	3.5	-	28	35
											-	-	-	-	1.2	25.7	30
											-	-	-	3.5	1.2	29.2	35
											EH*B-7M16	15	14.4	-	-	42.5	45
														3.5	-	46	50
														-	1.2	43.7	45
											EH*B-7M31	30	28.9	3.5	1.2	47.2	50
														-	-	60.6	70
														3.5	-	64.1	70
											EH*B-7M46	45	43.3	-	-	61.8	70
														3.5	1.2	65.3	70
-	-	78.6	80														
-	-	-	3.5	-	82.1	90											
-	-	-	-	1.2	79.8	80											
-	-	-	3.5	1.2	83.3	90											
DBH1507V	575/3/60	2	7.7	54	2	0.5	1	2 speed Belt Drive Standard Static	3	3.5	-	-	-	-	-	22.8	30
											-	-	-	3.5	-	26.3	30
											-	-	-	-	1.2	24	30
											-	-	-	3.5	1.2	27.5	30
											EH*B-7M16	15	14.4	-	-	40.8	45
														3.5	-	44.3	45
														-	1.2	42	45
											EH*B-7M31	30	28.9	3.5	1.2	45.5	50
														-	-	58.9	60
														3.5	-	62.4	70
											EH*B-7M46	45	43.3	-	-	60.1	70
														3.5	1.2	63.6	70
-	-	76.9	80														
-	-	-	3.5	-	80.4	90											
-	-	-	-	1.2	78.1	80											
-	-	-	3.5	1.2	81.6	90											



WARNING

High Voltage: Disconnect all power before servicing or installing this unit. Multiple power sources may be present. Failure to do so may cause property damage, personal injury, or death.

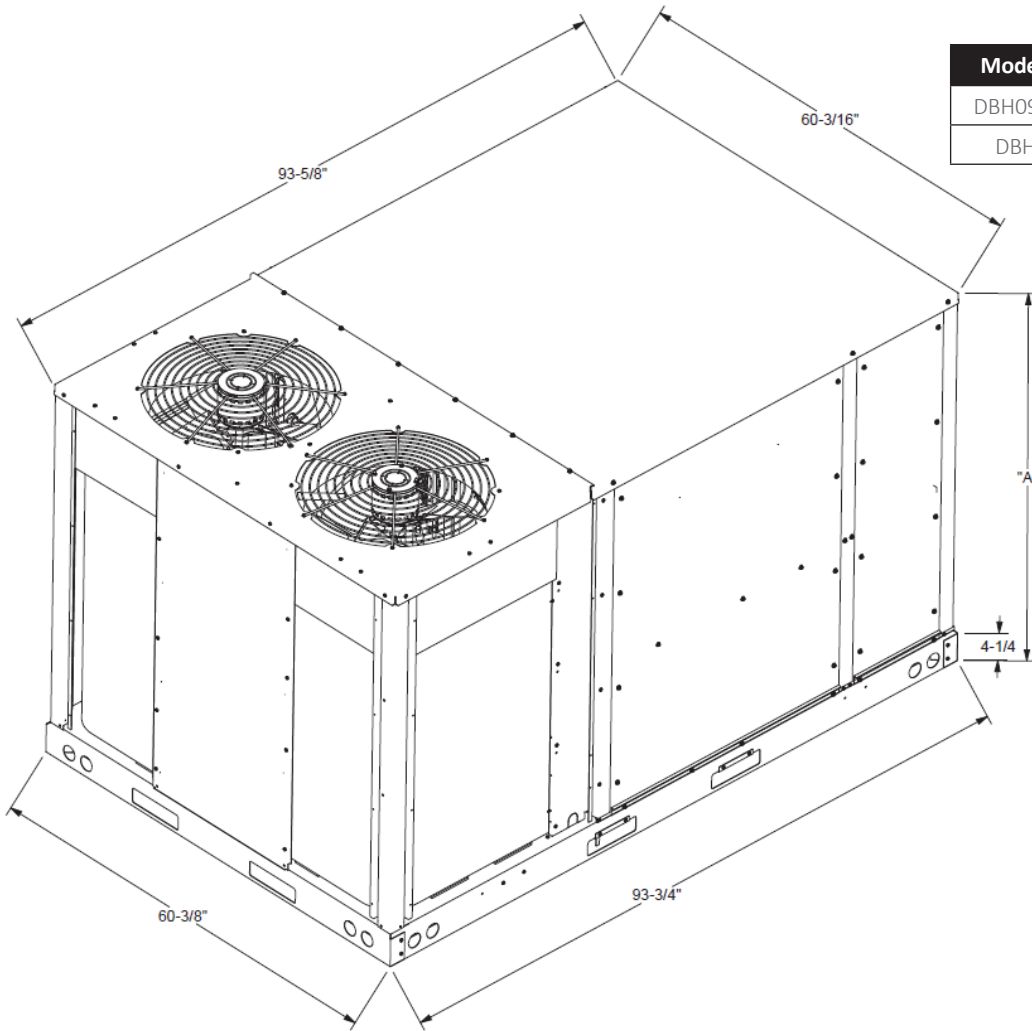
Wiring is subject to change. Always refer to the wiring diagram on the unit for the most up-to-date wiring.



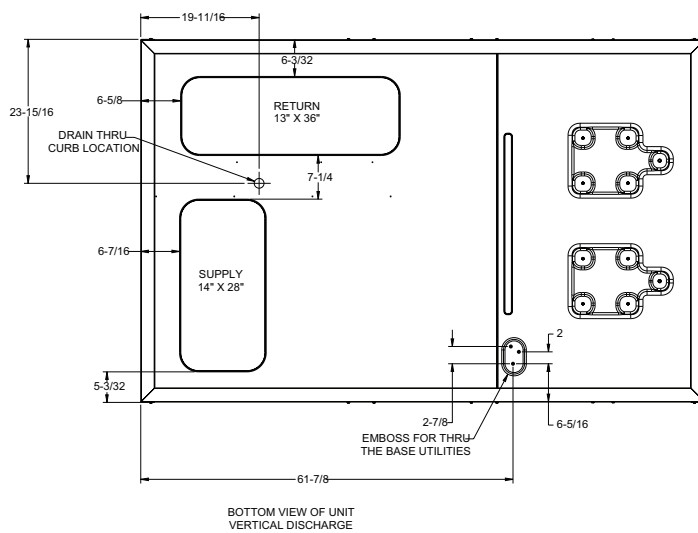
High Voltage: Disconnect all power before servicing or installing this unit. Multiple power sources may be present. Failure to do so may cause property damage, personal injury, or death.

WARNING

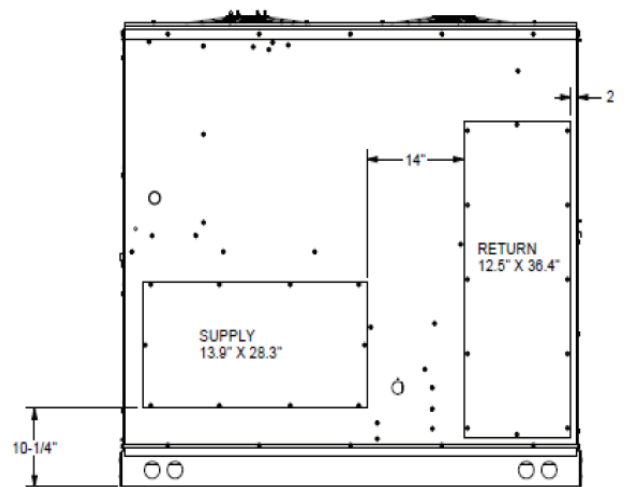
Wiring is subject to change. Always refer to the wiring diagram on the unit for the most up-to-date wiring.



Model Size	DIM "A"
DBH090-120	54 1/4
DBH150	58-3/5

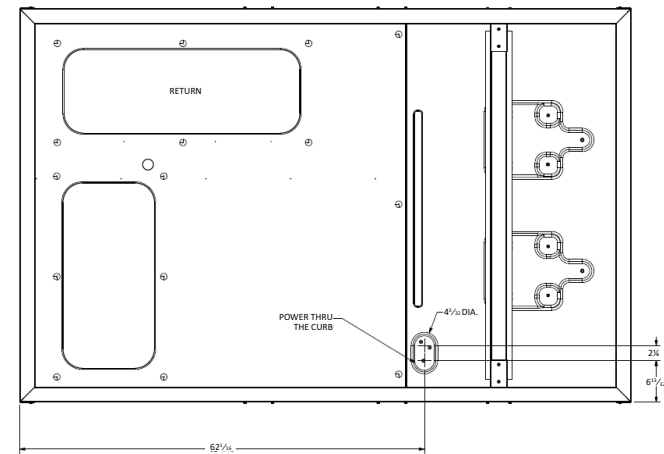
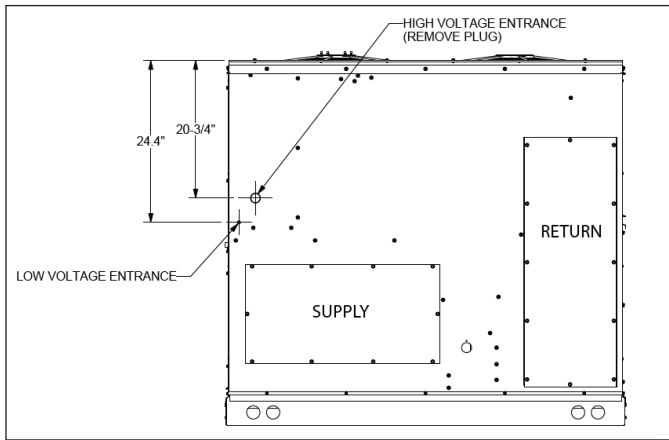
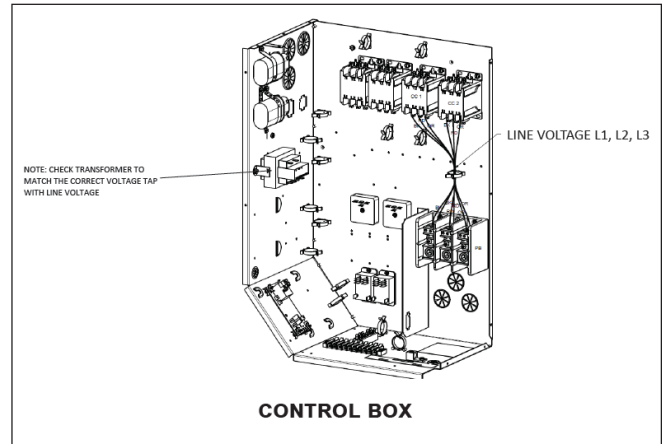
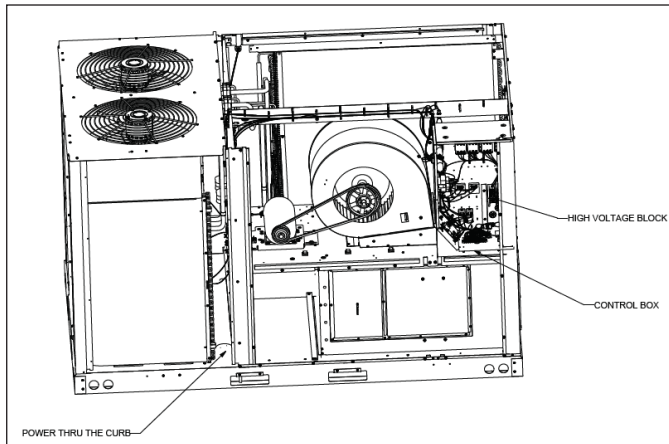


**BOTTOM VIEW OF UNIT
VERTICAL DISCHARGE**



HORIZONTAL DISCHARGE

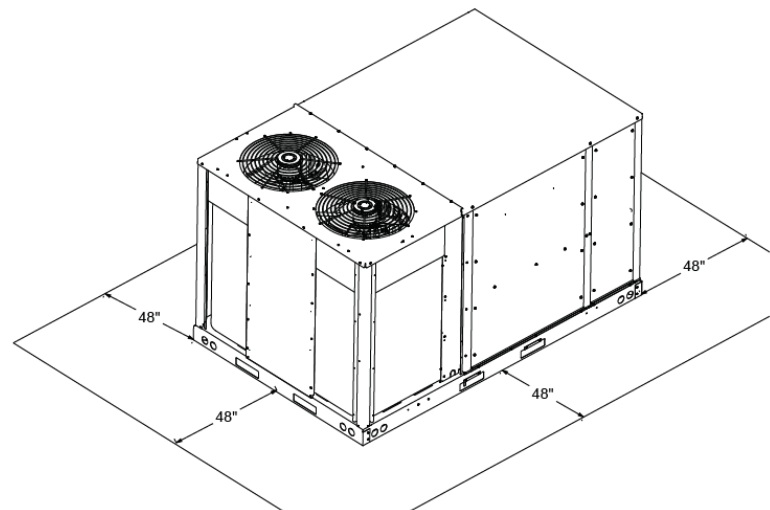
Electrical Connections



Unit Clearances

Service Clearance

Allow for recommended service clearances as shown in figure to the right. In situations that have multiple units, a 36" minimum clearance is required between the condenser coils. A clearance of 48" is recommended on all sides of the unit to allow service access and to ensure proper ventilation and condenser airflow. The top of the unit should be unobstructed. Provide a roof walkway along the sides of the unit for service and access to controls and components. Contact your Daikin sales representative for service requirements less than those recommended.



UNIT CLEARANCES

Unit Location

The structural engineer must verify that the roof has adequate support and ability to minimize deflection. Take extreme caution when using on a wooden roof structure. Unit condenser coils should be in a location that avoids any heated exhaust air.

Allow sufficient space around the unit for maintenance/service clearance. Consult your Daikin sales representative if available clearances do not meet minimum recommendations.

Where code considerations, such as the NEC, require extended clearances, these take precedence.

Provisions for forks have been included in the unit base frame. No other fork locations are approved.

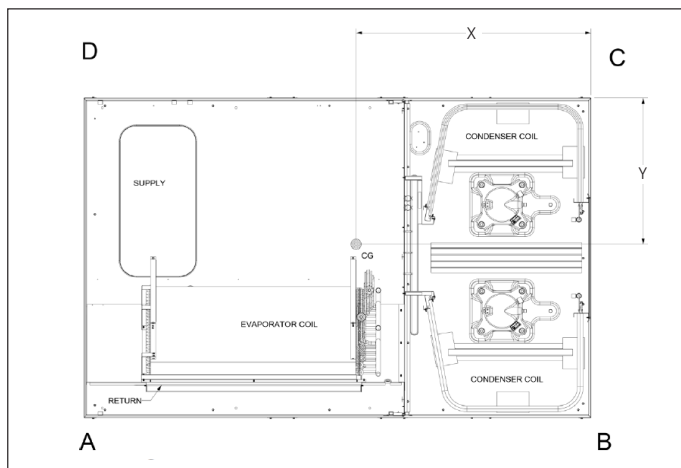
- » Unit must be lifted by the four lifting holes located at the base frame corners.
- » Lifting cables should be attached to the unit with shackles.
- » The distance between the crane hook and the top of the unit must not be less than 60".
- » Two spreader bars must span over the unit to prevent damage to the cabinet by the lift cables. Spreader bars must be of sufficient length so that cables do not come in contact with the unit during transport. Remove wood struts mounted beneath unit base

frame before setting unit on roof curb. These struts are intended to protect unit base frame from forklift damage. To remove the struts, extract the sheet metal retainers and pull the struts through the base of the unit. Refer to rigging label on the unit.

Important: If using bottom discharge with roof curb, ductwork should be attached to the curb prior to installing the unit. Refer to the Roof Curb Installation Instructions for proper curb installation. Curbing must be installed in compliance with the National Roofing Contractors Association Manual. Lower unit carefully onto roof mounting curb. While rigging the unit, the center of gravity will cause the condenser end to be lower than the supply air end. Bring condenser end of unit into alignment with the curb. With condenser end of the unit resting on curb member and using curb as a fulcrum, lower opposite end of the unit until entire unit is seated on the curb. When a rectangular cantilever curb is used, take care to center the unit. Check for proper alignment and orientation of supply and return openings with duct.

Roof Curb Installation

The roof curb is field-assembled and must be installed level (within 1/16" per foot side to side). A sub-base must be constructed by the contractor in applications involving pitched roofs. Gaskets are furnished and must be installed between the unit and curb. For proper installation, follow NRCA guidelines. In applications requiring post and rail installation, an I-beam securely mounted on multiple posts should support the unit on each side. In addition, the insulation on the underside of the unit should be protected from the elements. Applications in geographic areas subjected to seismic or hurricane conditions must meet code requirements for fastening the unit to the curb and the curb to the building structure. For further and more detailed information please refer to our Daikin Light Commercial Packaged unit IOD.



CORNER & CENTER-OF-GRAVITY LOCATIONS

Weights

Model	Shipping Weight (lbs)	Operating Weight (lbs)	Corner Weights (lbs)				Length X (in)	Width Y (in)
			A	B	C	D		
DBH090	1227	1152	224	359	267	302	43	31
DBH102	1278	1212	254	347	300	311	44	30
DBH120	1291	1216	265	344	317	290	43	30
DBH150	1394	1314	302	401	312	379	42	29

Accessories

Field Accessory part number	Description	Fits Model Sizes	Field-Installed	Factory-Installed	Operating Weight (lbs)
Electric Heat Kits					
EHXB-3M15	Electric Heater, Belt-Drive, 208-230V, 3PH, 15kW	7.5/8.5 ton	√	√	
EHXB-3M16	Electric Heater, Belt-Drive, 208-230V, 3PH, 15kW	10/12.5 ton	√	√	
EHXB-3M30	Electric Heater, Belt-Drive, 208-230V, 3PH, 30kW	7.5/8.5 ton	√	√	
EHXB-3M31	Electric Heater, Belt-Drive, 208-230V, 3PH, 30kW	10/12.5 ton	√	√	
EHXB-3M45	Electric Heater, Belt-Drive, 208-230V, 3PH, 45kW	7.5/8.5 ton	√	√	
EHXB-3M46	Electric Heater, Belt-Drive, 208-230V, 3PH, 45kW	10/12.5 ton	√	√	
EHXB-4M15	Electric Heater, Belt-Drive, 460V, 3PH, 15kW	7.5/8.5 ton	√	√	
EHXB-4M16	Electric Heater, Belt-Drive, 460V, 3PH, 15kW	10/12.5 ton	√	√	
EHXB-4M30	Electric Heater, Belt-Drive, 460V, 3PH, 30kW	7.5/8.5 ton	√	√	
EHXB-4M31	Electric Heater, Belt-Drive, 460V, 3PH, 30kW	10/12.5 ton	√	√	
EHXB-4M45	Electric Heater, Belt-Drive, 460V, 3PH, 45kW	7.5/8.5 ton	√	√	
EHXB-4M46	Electric Heater, Belt-Drive, 460V, 3PH, 45kW	10/12.5 ton	√	√	
EHXB-7M15	Electric Heater, Belt-Drive, 575V, 3PH, 15kW	7.5/8.5 ton	√	√	
EHXB-7M16	Electric Heater, Belt-Drive, 575V, 3PH, 15kW	10/12.5 ton	√	√	
EHXB-7M30	Electric Heater, Belt-Drive, 575V, 3PH, 30kW	7.5/8.5 ton	√	√	
EHXB-7M31	Electric Heater, Belt-Drive, 575V, 3PH, 30kW	10/12.5 ton	√	√	
EHXB-7M45	Electric Heater, Belt-Drive, 575V, 3PH, 45kW	7.5/8.5 ton	√	√	
EHXB-7M46	Electric Heater, Belt-Drive, 575V, 3PH, 45kW	10/12.5 ton	√	√	
Duct Smoke Detectors					
	Duct Smoke Detectors - Return	7.5-12.5 ton		√	
	Duct Smoke Detectors - Supply	7.5-12.5 ton		√	
	Duct Smoke Detectors - Supply and Return	7.5-12.5 ton		√	
Non-Fused Disconnect Switch					
	60 Amp Disconnect	7.5-12.5 ton		√	
	100 Amp Disconnect	7.5-12.5 ton		√	
	150 Amp Disconnect	7.5-12.5 ton		√	
	250 Amp Disconnect	7.5-12.5 ton		√	
Convenience Outlets					
	Convenience Outlets - Powered, 208/230 V	7.5-12.5 ton		√	47
	Convenience Outlets - Powered, 460 V	7.5-12.5 ton		√	47
	Convenience Outlets - Powered, 575 V	7.5-12.5 ton		√	47
	Convenience Outlets - Non-Powered	7.5-12.5 ton		√	2
Hinged Access Panels					
	Hinged Access Panels	7.5-12.5 ton		√	
Economizer					
0270L01760	Horizontal Economizer Ultra Low-Leak (Title 24) JADE® Enthalpy Sensor	7.5-12.5 ton	√		128
0270L01130	Horizontal Economizer Ultra Low-Leak (Title 24) JADE Dry-Bulb	7.5-12.5 ton	√		128
0270L01754	Downflow Economizer Standard Low-Leak JADE Enthalpy Sensor	7.5-12.5 ton	√	√	103
0270L01756	Downflow Economizer Ultra Low-Leak (Title 24) JADE Ethalpy Sensor	7.5-12.5 ton	√	√	103
0270L01123	Downflow Economizer Standard Low-Leak JADE Dry-Bulb	7.5-12.5 ton	√	√	103
0270L01125	Downflow Economizer Ultra Low-Leak (Title 24) JADE Dry-Bulb	7.5-12.5 ton	√	√	103
Curbs and Restraint Clips					
0270L01153	Roof Curb 14" Tall, Knocked Down	7.5-12.5 ton	√		116
0270L01154	Roof Curb 24" Tall, Knocked Down	7.5-12.5 ton	√		174
0270L01262	Hold Down Bracket Kit	7.5-12.5 ton	√		8
0270L01251	Hold Down Bracket Kit for Daikin Roof curb	7.5-12.5 ton	√		8

Accessories availability may vary.

Accessories

Field Accessory part number	Description	Fits Model Sizes	Field-Installed	Factory-Installed	Operating Weight (lbs)
0221L00017	14" Tall Seismic Curb	7.5-12.5 ton	√		120
0221L00018	14" Tall Wind-Rated/Hurricane Curb	7.5-12.5 ton	√		160
Concentrics					
0221L00011	Concentric Diffuser 30 x 48 with 20" dia collars	7.5/8.5 ton	√		
0221L00012	Concentric Diffuser 36 x 48 with 18 x 28 duct size	10/12.5 ton	√		
0270L01336	Concentric adaptor for curb - 20" collar	7.5/8.5 ton	√		40
0270L01768	Concentric adaptor for curb - 18 x 28 duct size	10/12.5 ton	√		56
Damper					
0270L01132	2 Position Motorized Damper	7.5-12.5 ton	√		57
0270L01133	Manual Outdoor Air Damper	7.5-12.5 ton	√		41
Hail Guard Kits					
HAILGD090120HE	Condenser Coil Hail Guards	7.5-12.5 ton	√	√	
Crankcase Heater Kits					
HECH90150230	Crankcase Heater Kit 230V	7.5-12.5 ton	√		2
HECH90150460	Crankcase Heater Kit 460V	7.5-12.5 ton	√		2
HECH90150575	Crankcase Heater Kit 575V	7.5-12.5 ton	√		2
High-Efficiency Filters					
0160L00269	High Efficiency MERV 8 Air Filter Kit - 16x25x2 (qty 4)	7.5 ton	√		4
0160L00271	High Efficiency MERV 8 Air Filter Kit - 20x25x2 (qty 2)	8.5/10 ton	√		4
0160L00274	High Efficiency MERV 8 Air Filter Kit - 25x25x2 (qty 2)	8.5/10/12.5 ton	√		4
0160L00275	High Efficiency MERV 13 Air Filter Kit - 16x25x2 (qty 4)	7.5 ton	√		4
0160L00202	High Efficiency MERV 13 Air Filter Kit - 20x25x2 (qty 2)	8.5/10 ton	√		4
0160L00277	High Efficiency MERV 13 Air Filter Kit - 25x25x2 (qty 2)	8.5/10/12.5 ton	√		6
Misc Accessories					
TTBCKHE02	Through the Base Connections	7.5-12.5 ton	√	√	1
3PMKP2	Phase Monitor Kit	7.5-12.5 ton	√	√	2
0270L01233	Burglar bars Inserts	7.5-12.5 ton	√		28
Power Exhaust					
0270L01134	Power Exhaust Prop Downflow Economizer 208/230 V	7.5-12.5 ton	√		94
0270L01137	Power Exhaust Prop Horizontal Economizer 208/230 V	7.5-12.5 ton	√		76
0270L01135	Power Exhaust Prop Downflow Economizer 460 V	7.5-12.5 ton	√		94
0270L01138	Power Exhaust Prop Horizontal Economizer 460 V	7.5-12.5 ton	√		76
Controls, Thermostats and Sensors					
DT4272C	Comm Touch Digital Stat w/ Wi-Fi 4h/2c	3-25 ton	√		1
DT4273C	Comm Touch Digital Stat w/ Wi-Fi & Humidity Control 4h/2cc	3-25 ton	√		1
PSPAC-WS	Remote indoor sensor	3-25 ton	√		1
250803400	AppStat™ RTU 2H/2C Econ	3-25 ton	√		1
250803600	AppStat™ HPU 3H/2C Econ (Heat Pump)	3-25 ton	√		1
D4271C	4h/2c Commercial 7day Programmable Wi-Fi Capable thermostat	3-25 ton	√		1
D4272C	4h/2c Commercial 7day Programmable Wi-Fi Capable Hum/dehum thermostat	3-25 ton	√		1
C7232A1024	CO ₂ Sensor (Wall Mtd)	3-25 ton	√		1
C7232B1022	CO ₂ Sensor (Duct Mtd)	3-25 ton	√		1
D2270C	Mini Wi-Fi Thermostat	3-25 ton	√		1
TSTATD2152-2	Value Series 2h/1c 5+2 prgm (Heat Pump)	3-25 ton	√		1
TSTATD2100-2	Value Series 2h/1c No prgm (Heat Pump)	3-25 ton	√		1
TSTATD1100-2	Value Series 1h/1c No prgm	3-25 ton	√		1
TSTATD1152-2	Value Series 1h/1c 5+2 prgm	3-25 ton	√		1
PSPAC-AW	Add-A-Wire	3-25 ton	√		1

Accessories availability may vary.

Accessories

Field Accessory part number	Description	Fits Model Sizes	Field-Installed	Factory-Installed	Operating Weight (lbs)
PSPAC-2W	2-Wire Kit	3-25 ton	√		1
PSPAC-OS	Wired Indoor / Outdoor Remote Sensor	3-25 ton	√		1
PSPAC-DS	Wired Duct Sensor	3-25 ton	√		1
PSPAC-WFMS	Wireless Wi-Fi Mini Sensor	3-25 ton	√		1
PSPAC-LR	Lock Ring for Premium Commercial Thermostats	3-25 ton	√		1
PSPAC-PWF	Wi-Fi Module	3-25 ton	√		1
PSPAC-WP	Wall Plate - Premium & Value Series	3-25 ton	√		1
PSPAC-WPT	Wall Plate Color Touch Screen	3-25 ton	√		1
PSPAC-WPM-S	Wall Plate Premium Mini - Small	3-25 ton	√		1
PSPAC-WPM-M	Wall Plate Premium Mini - Medium	3-25 ton	√		1
PSPAC-WPM-L	Wall Plate Premium Mini - Large	3-25 ton	√		1
C7400S1000	Differential Enthalpy Sensor	3-25 ton	√		1
D4120	Smoke Detector- Duct Mounted	3-25 ton	√		1
D4120W	Smoke Detector- Watertight	3-25 ton	√		1

Accessories availability may vary.

Factory Installed Options

- » **Non-Powered Convenience Outlet:** A 120V, 15A, GFCI outlet can be installed in the unit making it easier for technicians to service other units once an electrician runs power to the outlet. Outlet shall be factory-installed and internally mounted with easily accessible 120-v female receptacle. Transformer not included for this option. Outlet shall include a field-installed “While-in-Use” cover.
- » **High-Static Kit:** Allows for operation in higher static applications.
- » **Powered Convenience Outlet:** A 115V, 15A, GFCI outlet can be powered with a step-transformer built into the unit. When a factory-installed powered convenience outlet is installed in the equipment, the unit MCA (Min. Circuit Ampacity) will increase by 9.6A for 208V units; increase by 8.7A for 230V; increase by 4.35A for 460V units; and by 3.5A for 575V units. The MOP (Max. Overcurrent Protection) device must be sized accordingly. Outlet shall be powered from main line power to the rooftop unit. Outlet shall include a field installed “While-in-Use” cover.
- » **Return Air and/or Supply Air Smoke Detectors:** Return air and/or supply air smoke detectors can be installed in the unit. To safely identify the presence of smoke inside the air conditioning system and shutdown the blower to prevent the smoke to disperse into different zones.
- » **Disconnect Switch (non-fused):** A disconnect switch can be installed in the unit with factory wiring complete from the switch to the unit. Please note that for air conditioner and heat pump units, the appropriate electric heat kit must be ordered along with the disconnect switch (non-fused) to be factory-installed. For models with a powered convenience outlet option and a disconnect switch (non-fused) option, the power to the powered convenience outlet will be shut off when the disconnect switch (non-fused) is in the off position. National Electric Code (NEC) and UL approved non-fused switch shall provide unit power shutoff. The switch shall be accessible from outside of the unit and provide local shutdown and lockout capability.
- » **Hinged Access Panels:** Allows access to unit’s major components. Combined with latches for easy access to control box, compressor, filters and blower motor.
- » **Through-the-base electrical connection:** Allows an easy and fast field installation through the unit base pan.
- » **Electromechanical Controls:** Basic controls that include terminal block for unit connectivity to T-Stat.

Field Installed Options

- » **Manual Fresh Air Damper:** Manual damper package shall consist of damper, air inlet screen, and rain hood which can be preset to admit up to 25% outdoor air for year round ventilation.
- » **Motorized Fresh Air Damper:** A two-position damper with rain hood and screen provides up to 50% outside air when the indoor fan starts and closes when the indoor fan shuts down. Consist of actuator, damper, air inlet screen, and rain hood. Damper shall close upon indoor (evaporator) fan shutoff and/or loss of power. The damper actuator shall plug into the rooftop unit’s wiring harness plug. No hard wiring shall be required.
- » **Power Exhaust:** Power exhaust shall be used in conjunction with an integrated economizer. This accessory exhausts return air and may be used in either downflow or horizontal (duct-mounted) applications. Horizontal power exhaust shall be mounted in return ductwork. Power exhaust shall be controlled by economizer controller operation. Exhaust fans shall be energized when dampers open past the 0-100% adjustable setpoint on the economizer control.
- » **Horizontal Economizer:** Fully modulating between 0 and 100%, contain seals that meet ASHRAE 90.1 requirements. Includes motor and dampers, minimum position settings, preset linkage, wiring harness with plug, mixed air temperature sensor, and enthalpy control. An optional duct-mounted barometric relief damper is available. An optional return enthalpy sensor is available to provide comparative or differential enthalpy control. Damper blades shall be galvanized steel with composite gears. Plastic or composite blades on intake or return shall not be acceptable. Standard leak rate shall be equipped with dampers not to exceed 2% leakage at 1 in. wg pressure differential. Ultra Low Leak design meets California Title 24 section 140.4 and ASHRAE 90.1 requirements for 4 cfm per sq.ft. on the outside air dampers and 10 cfm per sq. ft. on the return dampers. Shall be designed to close damper(s) during loss-of-power situations with spring return built into motor. Economizer controller shall accept a 2-10 Vdc CO₂ sensor input for IAQ/DCV control. In this mode, dampers shall modulate the outdoor air damper to provide ventilation based on the sensor input.
- » Economizer controller shall be Honeywell® JADE® W7220 that provides:
 - 2-line LCD interface screen for setup, configuration and troubleshooting.
 - On-board Fault Detection and Diagnostics (FDD) that senses and alerts when the economizer is not operating properly, per California Title 24.
 - Sensor failure loss of communication identification
 - Automatic sensor detection
 - Capabilities for use with multiple-speed indoor fan systems
 - Utilize digital sensors: Dry bulb and Enthalpy
 - Economizer controller shall provide indications when in free cooling mode, in the DCV mode, or the exhaust fan contact is closed.

- » **Roof curbs:** Full perimeter roof curb with exhaust capability providing separate air streams for energy recovery from the exhaust air without supply air contamination. Two different heights 14" and 24", allows proper installation and structure stability. Formed galvanized steel with wood nailer strip and shall be capable of supporting entire unit weight.
- » **Concentric duct kits:** Designed to provide a single-point air distribution system with the added benefit of having directional air control.
- » **Restraint mounting clips:** Allows for installation reinforcement for Hurricane and/or seismic events.
- » **CO₂ sensor:** Sensor designed to alarm the system when the CO₂ levels are outside safe parameters.
- » **Burglar Bar Sleeves:** Designed to prevent the access thru the return or supply ducting inside the unit.
- » **Downflow square to round adapter 18":** Installed into a recessed portion of the roof curb, the concentric duct adaptor changes the orientation of the ductwork from square to round for applications utilizing that type of ducting system.
- » **Side discharge concentric diffuser system:** The Concentric diffuser system is an all in one supply and return duct free arrangement for RTU systems. This system comes with two separate duct connections, one for a supply and another for a return.
- » **Remote indoor sensor:** Remote sensor to monitor the temperature on zones away from the main thermostat.
- » **Drain pan overflow switch:** Allows the controls to detect and send an alarm when there is an overflow on the drain pan.
- » **Freeze stat:** Temperature sensing device that monitors the heat exchange to prevent the coil from freezing.

Factory and Field Installed Options

- » **Downflow Economizer:** Fully modulating between 0 and 100%, contain seals that meet ASHRAE 90.1 requirements. Includes motor and dampers, minimum position settings, a preset linkage, a wiring harness with plug, a mixed air temperature sensor, enthalpy control, and a barometric relief damper. An optional return enthalpy sensor is available to provide comparative or differential enthalpy control. Damper blades shall be galvanized steel with composite gears. Plastic or composite blades on intake or return shall not be acceptable. Standard leak rate shall be equipped with dampers not to exceed 2% leakage at 1 in. wg pressure differential. Ultra Low Leak design meets California Title 24 section 140.4 and ASHRAE 90.1 requirements for 4 cfm per sq.ft. on the outside air dampers and 10 cfm per sq. ft. on the return dampers. Shall be designed to close damper(s) during loss-of-power situations with spring return built into motor. Economizer controller shall accept a 2-10 Vdc CO₂ sensor input for IAQ/DCV control. In this mode, dampers shall modulate the outdoor air damper to provide ventilation based on the sensor input. Economizer controller shall be Honeywell® W7220 that provides:
 - » Economizer controller shall be *Honeywell W7220* that provides:
 - 2-line LCD interface screen for setup, configuration and troubleshooting.
 - On-board Fault Detection and Diagnostics (FDD) that senses and alerts when the economizer is not operating properly, per California Title 24.
 - Sensor failure loss of communication identification
 - Automatic sensor detection
 - Capabilities for use with multiple-speed indoor fan systems
 - Utilize digital sensors: Dry bulb and Enthalpy
 - Economizer controller shall provide indications when in free cooling mode, in the DCV mode, or the exhaust fan contact is closed.
 - » **Allows cooling operation** down to 0°F outdoor ambient temperature.
 - » **Phase Monitor:** Phase monitor (3-Phase only) shall provide protection for motors and compressors against problems caused by phase loss, phase reversal and phase unbalance. Phase monitor is equipped with an LED that provides an ON or FAULT indicator.
 - » **Condenser Hail Guards:** Louvered metal guards help protect the condenser coil from hail and debris; available as a field-installed options on 3 – 12½ ton units.

