



**Base Efficiency Heat Pump
Direct-Drive Packaged Rooftop Unit
DBH Commercial
3-5 Nominal Tons
14 SEER / 11.5 EER**



* Complete warranty details available from your local distributor or manufacturer's representative or at www.daikincomfort.com or www.daikinac.com



Our Perfect Package:

Harnessing energy-efficient performance, proven technology, and enhanced comfort for life.

Since becoming the first company in Japan to manufacture packaged air conditioning systems, in 1951, Daikin has supported comfortable indoor living based on the strengths and technologies that have led to the growth of the company becoming one of the world's largest manufacturers of HVAC products, systems and refrigerants.

Today, as a comprehensive global manufacturer of HVAC products and systems, the Daikin brand is committed to being recognized as a truly global and excellent company capable of continually creating new value for its customers. The company plans to pursue sustainable growth and foster business operations that consistently harmonize with the goals of improving indoor comfort.

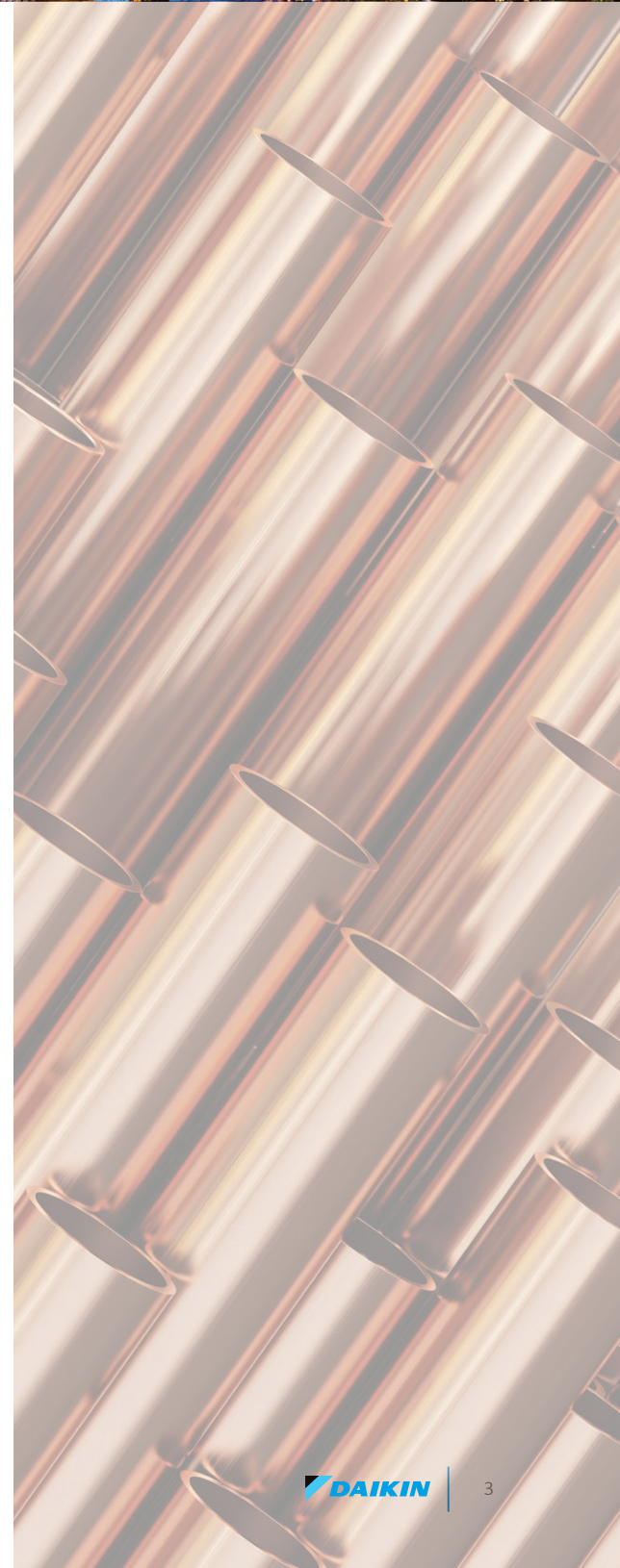
The group philosophy of the company includes:

- » Creating new value continuously for customers
- » Developing world leading energy-saving technology
- » Being a flexible and dynamic organization
- » Allowing employees to be the driving force for the success of the company
- » Fostering an atmosphere of best practices, boldness, and innovation
- » Thinking and acting globally



Contents

2	Introduction	2
4	Nomenclature	4
5	Features and Benefits	5
	Applications	8
	Serviceability	8
9	Product Specifications	9
	Coil Dimensions	10
	HP Performance	10
	AHRI Ratings	10
	Sound Data	10
11	Expanding Cooling Data	11
17	Electric Heater Data	17
18	Air Flow	18
20	Static Pressure	20
21	Electrical Data	21
23	Wiring Diagrams	23
25	Dimensional Data	25
26	Electrical Connections	26
	Unit Clearances	26
27	Installation	27
	Weights	27
28	Accessories	29
30	Factory Installed Options	30
30	Field Installed Options	30
31	Factory and Field Installed Options	31



Nomenclature

	D	B	H	036	1	D	XXX	A	X	A	X	X	X	X	X	X	X	A	*																												
	1	2	3	4,5,6	7	8	9,10,11	12	13	14	15	16	17	18	19	20	21	22	23 24																												
Brand	D Daikin																																														
Configuration	B New Base Efficiency																																														
Application	C Cooling G Gas Heat H Heat Pump																																														
Nominal Cooling Capacity	036 3 Tons 048 4 Tons 060 5 Tons																																														
Voltage	1 208-230/1/60 3 208-230/3/60																																														
Supply Fan/Drive Type/Motor	D Direct-Drive - Standard Static																																														
Nominal Heating Capacity	<table border="1"> <thead> <tr> <th>Gas/Electric</th> <th>A/C</th> <th>H/P</th> <th>Factory-Installed Electric Heat</th> </tr> </thead> <tbody> <tr> <td>045 45,000 BTU/h</td> <td>XXX</td> <td>No Heat</td> <td></td> </tr> <tr> <td>070 70,000 BTU/h</td> <td>005</td> <td>5kW</td> <td></td> </tr> <tr> <td>090 90,000 BTU/h</td> <td>010</td> <td>10 kW</td> <td></td> </tr> <tr> <td>115 115,000 BTU/h</td> <td>015</td> <td>15 kW</td> <td></td> </tr> <tr> <td>140 140,000 BTU/h</td> <td>016</td> <td>15 kW</td> <td></td> </tr> <tr> <td></td> <td>022</td> <td>20 kW</td> <td></td> </tr> </tbody> </table>																			Gas/Electric	A/C	H/P	Factory-Installed Electric Heat	045 45,000 BTU/h	XXX	No Heat		070 70,000 BTU/h	005	5kW		090 90,000 BTU/h	010	10 kW		115 115,000 BTU/h	015	15 kW		140 140,000 BTU/h	016	15 kW			022	20 kW	
Gas/Electric	A/C	H/P	Factory-Installed Electric Heat																																												
045 45,000 BTU/h	XXX	No Heat																																													
070 70,000 BTU/h	005	5kW																																													
090 90,000 BTU/h	010	10 kW																																													
115 115,000 BTU/h	015	15 kW																																													
140 140,000 BTU/h	016	15 kW																																													
	022	20 kW																																													
<i>See product specifications for heat size(s) available for each capacity.</i>																																															
Refrigeration Systems	A Single-stage cooling modes																																														
Heat Exchanger	X No options A Standard Aluminized Exchanger S Stainless Steel Exchanger																																														
Controls	A Electromechanical controls																																														
Revision Levels	Major & Minor																																														
Power Exhaust	X No Options B Single-point power connection for Power Exhaust																																														
IAQ	X No Options																																														
Service Options	X No Option A Powered convenience outlet B Non-powered convenience outlet C Hinge Panels D Hinged Panels and Powered convenience outlet E Hinged Panels and non-powered convenience outlet																																														
Electrical	X No Options A Non-Fused Disconnect B Phase Monitor C Thru-the-base connections E Non-Fused Disconnect and Phase Monitor F Non-Fused Disconnect and Thru-the-base connections H Phase Monitor and Thru-the-base connections L Non-Fused Disconnect, Thru-the-base connections and Phase Monitor																																														
Economizer	X No Options A Ultra Low-Leak Downflow Economizer w/Enthalpy Sensor B Low-Leak Downflow Economizer w/Enthalpy Sensor G Ultra Low-Leak Downflow Economizer w/Dry Bulb Sensor H Low-Leak Downflow Economizer w/Dry Bulb Sensor																																														
Coils, Hail guard	X No Options C Hail Guard																																														
Sensors	X No Options A RA Smoke Detector B SA Smoke Detector C RA & SA Smoke Detector																																														

HP Stocking Models	
New Daikin 3-5 Ton Direct-Drive	
MODEL NUMBER	CODE STRING
DBH0361D000001S	DBH0361DXXXAXAXXXXXXXXXX
DBH0363D000001S	DBH0363DXXXAXAXXXXXXXXXX
DBH0481D000001S	DBH0481DXXXAXAXXXXXXXXXX
DBH0483D000001S	DBH0483DXXXAXAXXXXXXXXXX
DBH0601D000001S	DBH0601DXXXAXAXXXXXXXXXX
DBH0603D000001S	DBH0603DXXXAXAXXXXXXXXXX

Features and Benefits

Daikin Packaged Rooftop Units (RTUs) are built to perform, with features and options that help provide low installation and operation costs, superior indoor air quality, efficient operation, and longevity.

Installation

Daikin Packaged units are designed with fast and easy installation in mind and are ideal for both new construction and retrofit projects. Our packaged rooftop units are built to be a direct replacement for most rooftop units on the field without the need of a curb adapter, to be able to replace the unit in a shorter time and at a lower cost (compared to the previous design).

Cabinet Construction

Daikin packaged rooftop units are made with high quality galvanized steel with a powder-paint finish to provide higher corrosion resistance.

- » Easy accessibility using our tool-less filter access.
- » The interior surface in the indoor air section is fully insulated to prevent sweating and thermal losses, using our foil face fiberglass insulation which also omits exposed filter fibers into the airstream.

- » 1" Raised flanged edges around the supply and return offer easy installation for the duct connections.
- » The full perimeter base rail is built using heavy gauge galvanized steel for a stronger structural installation, the base rails are a minimum of 3 ½" tall and include holes to allow for overhead rigging and lifting with forklifts.
- » Electrical lines and can be brought through the base of the unit or through the horizontal knockout for easy installation and accessibility on the field.

Compressor

High performance, low noise scroll compressors to match the required total load.

- » Resiliently factory-mounted on rubber grommets for vibration isolation
- » Refrigeration circuit includes both a low- and high-pressure transducer, high pressure safety switch and temperature sensors for the suction and discharge.
- » Unit is factory charged with environmentally friendly R-410A refrigerant.
- » Single-stage scroll compressors.
- » Compressor location outside the condenser section to avoid air bypass.
- » Internal overload protection included with compressor.

Supply Fan

The direct-drive airfoil single width, single inlet (SWSI) Class II construction supply fan with aluminum fan blades provides efficient and quiet operation at wide ranging static pressure and air flow requirements.

- » Fan wheel is continuously welded to the hub plate and end rim for long lasting reliable operation.
- » Direct-drive EEM motor removes the need for belts, sheaves, or bearings and its permanently lubricated motors provides low maintenance cost.
- » Each fan assembly is dynamically trim balanced at the factory before shipment for quick start-up and efficient operation.
- » Electromechanical integrated controls modulate the supply fan motor
- » Motor with thermal overload and phase failure protection is provided for motor long lasting operation.



Coils

All units use large face area outdoor coils. These coils are constructed with seamless copper tubes, mechanically bonded into aluminum plate-type fins with full drawn collars to completely cover the tubes for high operating efficiencies.

The indoor coil section is installed in a draw through configuration to provide better dehumidification.

- » Coils are factory pressure tested to ensure pressure and leak integrity.
- » Copper tube / aluminum fin coils on condenser and evaporator
- » 5mm Smart Coil Technology on all condenser coils for improved performance and reduced refrigerant load.

Heat Pump Heating

Evaporator coil, condenser coil, compressors and refrigerant circuit are designed for heat pump operation.

- » The refrigerant circuit contains a 4-way reversing valve to provide heat.
- » The outdoor coil includes a thermal expansion valve to control the refrigerant flow during heat pump operation.
- » Hybrid heating option is provided for auxiliary heating.
- » The refrigerant system includes a pump-down cycle for durable operation.

Controls and Wiring

Packaged rooftop units come equipped with a well-organized, large, easy to use weatherproof internal control box with easy access, for a better user experience.

- » Units are factory-wired with labeled color-coded wires and complete 24-volt Electromechanical controls package.
- » Units include single-point power entry as standard and also available with electric heat kits if selected.
- » Terminal blocks are provided as standard for easy installation and field power wiring.

Filtration

Unit provides a draw-through filter section as standard for better air quality and long lasting component maintenance.

- » Filters installed on the units are standard off the shelf sizes for easy replacement.
- » One or two size filter per unit for low maintenance cost and easy replacement.
- » Easy and fast filter service access.

Heating Section

Wide ranging of electric heat selections effectively handle most comfort heating demand from morning warm-up control to full heat.

Electric Heat

ETL approved electric heat is factory assembled, installed and tested.

- » Heating control is fully integrated into the unit's control system for quick start-up and reliable control.
- » Durable low watt density, nickel chromium elements provide longer life (compared to units without).
- » Fuses are provided in each branch circuit to a maximum of 48 Amps per NEC requirements.
- » Single-point power connection reduces installation cost.
- » For operational safeties electric heat includes automatic reset, and high temperature limit safety protection and an airflow safety switch to prevent electric heat operation in the event of no airflow.

Electrical

Units are completely wired and tested at the factory to provide faster commissioning and start-up.

- » Wiring complies with NEC requirements and all applicable UL standards.
- » For ease of use, wiring and electrical components are number coded and labeled according to the electrical diagram.
- » A 120 V GFI convenience receptacle requiring independent power supply for the receptacle is optional.
- » An optional unit powered 20 amp 115 V convenience receptacle, complete with factory mounted transformer, disconnect switch, and primary and secondary overload protection, eliminates the need to pull a separate 115 V power source.
- » Supply air fan, compressor, and condenser fan motor branch circuits have individual short circuit protection. Unit includes knockouts in the bottom of the main control panels for field wiring entrance.
- » A single-point power connection with power block is standard and a terminal board is provided for connecting low voltage control wiring.
- » For better serviceability an optional non-fused disconnect switch can be installed inside the control panel and operated by an externally mounted handle to disconnect the electrical power at the unit.



Applications

Daikin Rooftop units are intended for comfort cooling applications in normal heating, ventilating, and air conditioning. Consult your local Daikin sales representative for applications involving operations at high ambient temperatures, high altitudes, non-cataloged voltages, or for job-specific unit selections that fall outside of the range of the catalog tables.

For proper operation, units should be rigged in accordance with instructions stated on the installation manual. Fire dampers, if required, must be installed in the ductwork according to local and/or state codes. No space is allowed for these dampers in the unit.

Follow factory check, test and start procedures explicitly to achieve satisfactory start-up and operation.

Most rooftop applications take advantage of the significant energy savings provided with economizer operation. When an economizer system is used, mechanical refrigeration is typically not required below an ambient temperature of 50°F.

Serviceability

Daikin packaged rooftop units are built with serviceability in mind, designed to make future maintenance and service on the unit easy and accessible.

- » Our packaged rooftop units offer a slide out blower to facilitate the access and removal of the fan.
- » Filter panels on the small chassis line offer tool-less access for easy maintenance.
- » Independent compressor outside of the air bypass to eliminate component blockage and provide easy access.
- » Labeled field connections, color coded and continuously marked wire to identify point-to-point component connections.
- » All 3 - 5 ton units are designed for convertible airflow orientation to serve downflow or horizontal applications. Every unit ships prepared to convert to horizontal orientation in the field if required.
- » Condenser clean out from inside-out.
- » Easy access to gas valves and control panel.



Model	DBH0361D000001S	DBH0363D000001S	DBH0481D000001S	DBH0483D000001S	DBH0601D000001S	DBH0603D000001S
COOLING CAPACITY						
Total, BTU/h	35,000	35,000	46,500	46,500	56,500	56,500
SEER / EER	14.0/11.5	14.0/11.5	14.0/11.5	14.0/11.5	14.0/11.5	14.0/11.5
AHRI Reference #	205301859	205301862	205301860	205301865	205301861	205301869
EVAPORATOR MOTOR / COIL						
Motor Type	Direct-Drive	Direct-Drive	Direct-Drive	Direct-Drive	Direct-Drive	Direct-Drive
External Static Pressure (ESP)	Standard	Standard	Standard	Standard	Standard	Standard
Wheel Dia. X Width	12x11	12x11	12 x 11	12 x 11	12 x 11	12 x 11
Indoor Nominal CFM	1170	1170	1460	1460	1790	1790
RPM	1200	1200	1200	1200	1200	1200
Indoor Horsepower	0.75	0.75	1.0	1.0	1.0	1.0
Filter Size (in)	14 X 20 X 2 (4)	14 X 20 X 2 (4)	14 X 20 X 2 (4)	14 X 20 X 2 (4)	14 X 20 X 2 (2) 20 X 20 X 2 (2)	14 X 20 X 2 (2) 20 X 20 X 2 (2)
Drain Size (NPT)	¾	¾	¾	¾	¾	¾
R-410A Refrigerant Charge (oz.)	175	175	195	195	208	208
Evaporator Coil Face Area (ft ²)	7.3	7.3	7.3	7.3	9.2	9.2
Rows Deep/ Fins per Inch	⁴ / ₁₆	⁴ / ₁₆	⁴ / ₁₆	⁴ / ₁₆	⁴ / ₁₆	⁴ / ₁₆
CONDENSER FAN/COIL						
Quantity of Condenser Fan Motors	1	1	1	1	1	1
RPM (High/Low stage)	810	810	1075	1075	1075	1075
Outdoor Horsepower	0.17	0.17	0.25	0.25	0.33	0.33
Fan Diameter/ # Fan Blades	22 / 3	22 / 3	22 / 4	22 / 4	22 / 4	22 / 4
Face Area (ft ²)	12.7	12.7	17.3	17.3	19.0	19.0
Rows Deep / Fins per Inch	² / ₁₆	² / ₁₆	² / ₁₆	² / ₁₆	² / ₁₆	² / ₁₆
COMPRESSOR (ALL SINGLE-STAGE)						
Quantity / Type / Stages	1 / Scroll / 1	1 / Scroll / 1	1 / Scroll / 1	1 / Scroll / 1	1 / Scroll / 1	1 / Scroll / 1
Compressor RLA / LRA	16.7 / 79.0	10.4 / 73.0	19.9 / 109.0	13.1 / 83.1	25.0 / 134.0	15.9 / 110.0
ELECTRICAL DATA						
Voltage-Phase-Frequency	208/230-1-60	208/230-3-60	208/230-1-60	208/230-3-60	208/230-1-60	208/230-3-60
Indoor Blower FLA	5.7	5.7	6.9	6.9	6.9	6.9
Max External Static (In. W.C.)	0.8	0.8	0.8	0.8	0.8	0.8
Outdoor Fan FLA	0.95	0.95	1.4	1.4	2.3	2.3
Min. Circuit Ampacity ¹	27.5 / 27.5	19.7 / 19.7	33.1 / 33.1	24.7 / 24.7	40.4 / 40.4	29.1 / 29.1
Max. Overcurrent Protection (A) ²	40 / 40	30 / 30	50 / 50	35 / 35	60 / 60	40 / 40
Power Supply Conduit Hole Dia. (in)	1.125	1.125	1.125	1.125	1.125	1.125
Low-Voltage Conduit Hole Dia. (in)	0.5	0.5	0.5	0.5	0.5	0.5
OPERATING WEIGHT (LBS.)						
Operating Weight (lbs)	560	560	589	589	632	632
SHIPPING WEIGHT (LBS.)						
Ship Weight (lbs)	605	605	629	629	672	672

¹ Wire size should be determined in accordance with National Electrical Codes. Extensive wire runs will require larger wire sizes.

² May use fuses or HACR-type circuit breakers of the same size as noted.

Note: Always check the S&R plate for electrical data on the unit being installed.

Coil Dimensions

Model	Tons	Fin height in.	Fin length in.
DBH	3	27.71	38.07
	4	27.71	38.07
	5	34.64	38.07

HP Performance

	CAP 47F (Kbtu/hr)	CAP 17F (Kbtu/hr)	COP 47F	COP 17F	HSPF
3T HP	34.2	21	3.5	2.5	8
4T HP	45.5	25	3.5	2.5	8
5T HP	56.5	31.5	3.5	2.4	8

AHRI Ratings

MODEL	CAPACITY	EER	SEER
DBH0361D	35,000	11.5	14
DBH0481D	46,500	11.5	14
DBH0601D	56,500	11.5	14
DBH0363D	35,000	11.5	14
DBH0483D	46,500	11.5	14
DBH0603D	56,500	11.5	14

Sound Data

Model	OUTDOOR SOUND (DB) AT 60 Hz								
	A-Weighted	63	125	250	500	1000	2000	4000	8000
036	75	78.5	85.4	74.4	71.8	69.1	65.8	60.9	59.2
048	73	82.5	78.1	71.6	69.5	68.0	66.1	59.5	58.6
060	76	84.4	80.5	76.2	72.9	70.9	67.4	63.8	63.1

Notes:

¹ Outdoor sound data is measured in accordance with AHRI standard 270.

² Measurements are expressed in terms of sound power. Do not compare these values to sound pressure values because sound pressure depends on specific environment factors which normally do not match individual applications. Sound power values are independent of the environment and therefore more accurate.

³ A-weighted sound ratings filter out high and very low frequencies, to better approximate the response of "average" human ear. A-weighted measurements for Daikin units are taken in accordance with AHRI standard 270.

IDB	Airflow	ID WB	Outdoor Ambient Temperature												Capacity	S/T	Evap dT	Pr Suc	Pr Dis	TotalPower						
			65			75			85			95									105			115		
			59	63	71	59	63	71	59	63	71	59	63	71							59	63	71	59	63	71
80	900	Capacity	35,364	35,867	36,931	38,556	35,045	35,548	36,612	38,237	34,116	34,618	35,682	37,307	32,516	33,019	34,082	35,707	30,561	31,064	32,127	33,752	28,776	29,279	30,342	31,967
		S/T	1.00	0.68	0.54	0.40	1.00	0.68	0.55	0.40	1.00	0.71	0.57	0.43	1.00	1.00	0.59	0.45	1.00	1.00	0.61	0.47	1.00	1.00	0.66	0.52
		Evap dT	31.09	29.16	25.56	21.83	31.04	29.11	25.51	21.77	31.31	29.38	25.78	22.04	31.02	29.09	25.49	21.75	30.76	28.83	25.23	21.50	31.97	30.04	26.44	22.70
		Pr Suc	126	128	131	136	134	135	139	144	141	142	145	151	146	148	151	156	152	153	157	162	159	161	164	169
		Pr Dis	263	264	266	270	305	306	308	312	348	350	351	356	396	397	399	403	447	448	450	454	501	502	504	508
		TotalPower	2,094	2,092	2,087	2,108	2,371	2,369	2,364	2,385	2,680	2,678	2,673	2,694	3,014	3,012	3,007	3,029	3,388	3,386	3,381	3,402	3,826	3,824	3,819	3,840
		Capacity	36,281	36,784	37,848	39,473	35,963	36,466	37,529	39,154	35,033	35,536	36,600	38,224	33,433	33,936	35,000	36,625	31,478	31,981	33,045	34,670	29,693	30,196	31,260	32,885
		S/T	1.00	0.85	0.71	0.57	1.00	0.85	0.72	0.57	1.00	1.00	0.74	0.60	1.00	1.00	0.76	0.62	1.00	1.00	0.78	0.64	1.00	1.00	0.66	0.52
		Evap dT	28.20	26.28	22.67	18.94	28.15	26.22	22.62	18.89	28.42	26.49	22.89	19.16	28.13	26.20	22.60	18.87	27.87	25.95	22.34	18.61	29.08	27.15	23.55	19.82
		Pr Suc	130	131	135	140	138	139	142	148	144	146	149	155	150	152	155	160	156	157	161	166	163	164	168	173
Pr Dis	268	269	271	276	310	311	313	317	354	355	357	361	401	402	404	408	452	453	455	459	506	507	509	514		
TotalPower	2,130	2,128	2,123	2,144	2,407	2,404	2,400	2,421	2,715	2,713	2,709	2,730	3,050	3,048	3,043	3,064	3,423	3,421	3,417	3,438	3,862	3,860	3,855	3,876		
Capacity	36,711	37,214	38,278	39,902	36,392	36,895	37,959	39,584	35,462	35,965	37,029	38,654	33,863	34,366	35,429	37,054	31,907	32,410	33,474	35,099	30,123	30,626	31,689	33,314		
S/T	1.00	0.87	0.74	0.59	1.00	0.88	0.74	0.60	1.00	1.00	0.77	0.63	1.00	1.00	0.79	0.65	1.00	1.00	0.81	0.67	1.00	1.00	0.66	0.52		
Evap dT	27.43	25.50	21.90	18.16	27.37	25.45	21.84	18.11	27.65	25.72	22.11	18.38	27.35	25.43	21.82	18.09	27.10	25.17	21.57	17.83	28.30	26.38	22.77	19.04		
Pr Suc	131	133	136	142	139	141	144	149	146	148	151	156	152	153	157	162	157	159	162	168	164	166	169	175		
Pr Dis	270	271	273	277	312	313	315	319	355	356	358	363	403	404	406	410	453	455	456	461	508	509	511	515		
TotalPower	2,139	2,137	2,132	2,153	2,416	2,414	2,409	2,430	2,725	2,723	2,718	2,739	3,059	3,057	3,053	3,074	3,433	3,431	3,426	3,447	3,871	3,869	3,864	3,886		
85	900	Capacity	35,964	36,467	37,531	39,156	35,645	36,148	37,212	38,837	34,716	35,218	36,282	37,907	33,116	33,619	34,682	36,307	31,161	31,664	32,727	34,352	29,376	29,879	30,942	32,567
		S/T	1.00	0.78	0.64	0.50	1.00	1.00	0.65	0.50	1.00	1.00	0.67	0.53	1.00	1.00	0.69	0.55	1.00	1.00	0.61	0.47	1.00	1.00	0.62	0.48
		Evap dT	34.88	32.95	29.35	25.61	34.82	32.89	29.29	25.56	35.09	33.17	29.56	25.83	34.80	32.87	29.27	25.54	34.55	32.62	29.01	25.28	35.75	33.82	30.22	26.49
		Pr Suc	128	129	133	138	136	137	140	146	142	144	147	153	148	150	153	158	154	155	159	164	161	162	166	171
		Pr Dis	264	265	267	272	306	307	309	314	350	351	353	357	397	398	400	405	448	449	451	455	502	503	505	510
		TotalPower	2,099	2,097	2,092	2,114	2,376	2,374	2,369	2,390	2,685	2,683	2,678	2,699	3,020	3,017	3,013	3,034	3,393	3,391	3,386	3,407	3,832	3,829	3,825	3,846
		Capacity	36,881	37,384	38,448	40,073	36,563	37,066	38,129	39,754	35,633	36,136	37,200	38,824	34,033	34,536	35,600	37,225	32,078	32,581	33,645	35,270	30,293	30,796	31,860	33,485
		S/T	1.00	0.95	0.81	0.67	1.00	1.00	0.82	0.67	1.00	1.00	0.84	0.70	1.00	1.00	0.86	0.72	1.00	1.00	0.74	0.60	1.000	1.000	0.66	0.52
		Evap dT	31.99	30.06	26.46	22.73	31.94	30.01	26.41	22.68	32.21	30.28	26.68	22.95	31.92	29.99	26.39	22.66	31.66	29.73	26.13	22.40	32.87	30.94	27.34	23.61
		Pr Suc	132	133	137	142	140	141	144	150	146	148	151	157	152	154	157	162	158	159	163	168	165	166	170	175
Pr Dis	269	270	272	277	311	312	314	319	355	356	358	363	402	403	405	410	453	454	456	461	507	508	510	515		
TotalPower	2,135	2,133	2,128	2,149	2,412	2,410	2,405	2,426	2,721	2,719	2,714	2,735	3,055	3,053	3,048	3,069	3,429	3,427	3,422	3,443	3,867	3,865	3,860	3,881		
Capacity	37,311	37,814	38,878	40,502	36,992	37,495	38,559	40,184	36,062	36,565	37,629	39,254	34,463	34,966	36,029	37,654	32,507	33,010	34,074	35,699	30,723	31,225	32,289	33,914		
S/T	1.00	0.98	0.84	0.70	1.00	1.00	0.85	0.70	1.00	1.00	0.87	0.73	1.00	1.00	0.89	0.75	1.00	1.00	0.77	0.63	1.00	1.00	0.66	0.52		
Evap dT	31.21	29.29	25.68	21.95	31.16	29.23	25.63	21.90	31.43	29.50	25.90	22.17	31.14	29.21	25.61	21.88	30.88	28.95	25.35	21.62	32.09	30.16	26.56	22.83		
Pr Suc	133	135	138	144	141	143	146	151	148	150	153	158	154	155	159	164	159	161	164	170	166	168	171	177		
Pr Dis	271	272	274	279	313	314	316	320	357	358	360	364	404	405	407	411	455	456	458	462	509	510	512	517		
TotalPower	2,145	2,142	2,138	2,159	2,421	2,419	2,414	2,436	2,730	2,728	2,723	2,745	3,065	3,063	3,058	3,079	3,438	3,436	3,431	3,453	3,877	3,874	3,870	3,891		

IDB: Entering Indoor Dry Bulb Temperature
 High and low pressures are measured at the liquid and suction access fittings.
 Design Subcooling: 16 - 19 °F @ the liquid access fitting connection ARI 95 test conditions. Design Superheat 8 - 12°F @ the compressor suction access fitting connection.
 Shaded area reflects AHRI (TVA) conditions
 kW = Total system power
 Amps: Unit amps (comp.+ evaporator + condenser fan motors)

Outdoor Ambient Temperature		85												95												105												115											
		65						75						85						95						105						115																	
		IDB	Airflow	59	63	67	71	59	63	67	71	59	63	67	71	59	63	67	71	59	63	67	71	59	63	67	71	59	63	67	71																		
		Entering Indoor Wet Bulb Temperature																																															
70	Capacity	46,839	47,507	48,920	-	46,415	47,084	48,497	-	45,180	45,848	47,261	-	43,055	43,723	45,136	-	40,457	41,125	42,539	-	38,086	38,754	40,167	-	35,177	35,845	37,258	-	32,177	32,845	34,258	-																
	S/T	0.52	0.45	0.31	-	0.53	0.45	0.32	-	0.55	0.48	0.34	-	0.57	0.50	0.36	-	1.00	0.52	0.38	-	1.00	0.57	0.43	-	1.00	0.66	0.52	-	1.00	0.71	0.57	-																
	Evap dT	22.14	20.21	16.61	-	22.08	20.16	16.55	-	22.36	20.43	16.82	-	22.06	20.14	16.53	-	21.81	19.88	16.28	-	23.01	21.09	17.48	-	21.54	19.62	16.01	-	20.57	18.64	15.04	-																
	Pr Suc	122	123	126	-	129	131	134	-	136	137	141	-	141	143	146	-	147	148	152	-	154	155	158	-	150	152	155	-	157	159	162	-																
	Pr Dis	253	255	256	-	294	295	297	-	336	337	339	-	381	383	384	-	430	432	433	-	483	484	486	-	430	432	433	-	487	488	490	-																
TotalPower	2,835	2,832	2,826	-	3,189	3,186	3,180	-	3,585	3,582	3,576	-	4,013	4,010	4,004	-	4,491	4,488	4,482	-	5,052	5,049	5,043	-	5,052	5,049	5,043	-	5,090	5,088	5,082	-																	
70	Capacity	47,930	48,598	50,011	-	47,506	48,175	49,588	-	46,271	46,939	48,352	-	44,146	44,814	46,227	-	41,548	42,216	43,630	-	39,177	39,845	41,258	-	36,177	36,845	38,258	-	33,177	33,845	35,258	-																
	S/T	0.66	0.58	0.45	-	0.67	0.59	0.46	-	0.69	0.62	0.48	-	1.00	0.64	0.50	-	1.00	0.66	0.52	-	1.00	0.71	0.57	-	1.00	0.82	0.69	-	1.00	0.97	0.84	-																
	Evap dT	19.69	17.76	14.16	-	19.64	17.71	14.11	-	19.91	17.98	14.38	-	19.62	17.69	14.09	-	19.36	17.43	13.83	-	20.57	18.64	15.04	-	19.06	17.13	13.53	-	18.07	16.14	12.54	-																
	Pr Suc	125	127	130	-	133	134	137	-	139	141	144	-	145	146	149	-	150	152	155	-	157	159	162	-	150	152	155	-	157	159	162	-																
	Pr Dis	258	259	261	-	298	299	301	-	340	341	343	-	386	387	389	-	435	436	438	-	487	488	490	-	435	436	438	-	487	488	490	-																
TotalPower	2,873	2,871	2,865	-	3,228	3,225	3,219	-	3,623	3,620	3,614	-	4,051	4,048	4,042	-	4,529	4,527	4,521	-	5,090	5,088	5,082	-	5,090	5,088	5,082	-	5,128	5,126	5,120	-																	
70	Capacity	48,819	49,487	50,901	-	48,396	49,064	50,477	-	47,160	47,828	49,242	-	45,035	45,703	47,116	-	42,437	43,106	44,519	-	40,066	40,734	42,147	-	37,177	37,845	39,258	-	34,177	34,845	36,258	-																
	S/T	0.70	0.62	0.49	-	0.70	0.63	0.49	-	0.73	0.65	0.52	-	1.00	0.67	0.54	-	1.00	0.69	0.56	-	1.00	0.75	0.61	-	1.00	0.88	0.75	-	1.00	1.03	0.90	-																
	Evap dT	18.56	16.63	13.03	-	18.50	16.57	12.97	-	18.77	16.85	13.24	-	18.48	16.55	12.95	-	18.23	16.30	12.69	-	19.43	17.50	13.90	-	17.99	16.06	12.46	-	16.99	15.06	11.46	-																
	Pr Suc	128	129	132	-	135	137	140	-	142	143	146	-	147	149	152	-	153	154	157	-	159	161	164	-	153	154	157	-	159	161	164	-																
	Pr Dis	260	261	263	-	300	302	303	-	343	344	346	-	388	389	391	-	437	438	440	-	490	491	492	-	437	438	440	-	490	491	492	-																
TotalPower	2,891	2,889	2,882	-	3,246	3,243	3,237	-	3,641	3,638	3,632	-	4,069	4,066	4,060	-	4,547	4,545	4,538	-	5,108	5,106	5,099	-	5,108	5,106	5,099	-	5,146	5,144	5,138	-																	
75	Capacity	46,866	47,535	48,948	51,107	46,443	47,111	48,524	50,683	45,208	45,876	47,289	49,448	43,082	43,750	45,164	47,322	40,485	41,153	42,566	44,725	38,113	38,782	40,195	42,354	35,177	35,845	37,258	39,417	41,576	43,735	45,894	48,053																
	S/T	0.65	0.57	0.44	0.30	0.66	0.58	0.45	0.30	1.00	0.61	0.47	0.33	1.00	0.62	0.49	0.35	1.00	0.65	0.51	0.37	1.00	1.00	1.00	1.00	1.00	1.00	1.00	1.00	1.00	1.00	1.00																	
	Evap dT	26.38	24.45	20.85	17.12	26.33	24.40	20.79	17.06	26.60	24.67	21.07	17.33	26.31	24.38	20.78	17.04	26.05	24.12	20.52	16.79	27.26	25.33	21.73	17.99	24.81	22.88	19.28	15.55	11.82	8.09	4.36	0.63																
	Pr Suc	122	123	127	132	129	131	134	139	136	137	141	146	141	143	146	151	147	148	152	157	154	155	158	164	150	152	155	158	162	167	172	177																
	Pr Dis	254	255	257	261	294	295	297	301	336	337	339	344	382	383	385	389	431	432	434	438	483	484	486	490	431	432	434	438	487	488	490	495																
TotalPower	2,833	2,830	2,824	2,851	3,187	3,184	3,178	3,205	3,582	3,580	3,574	3,601	4,010	4,008	4,002	4,029	4,489	4,486	4,480	4,507	5,050	5,047	5,041	5,068	5,050	5,047	5,041	5,035	5,029	5,023	5,017																		
75	Capacity	47,957	48,626	50,039	52,198	47,534	48,202	49,615	51,774	46,299	46,967	48,380	50,539	44,173	44,841	46,255	48,413	41,576	42,244	43,657	45,816	39,204	39,873	41,286	43,445	36,177	36,845	38,258	40,417	42,576	44,735	46,894	49,053																
	S/T	0.79	0.71	0.58	0.44	0.79	0.72	0.58	0.44	1.00	0.74	0.61	0.47	1.00	0.76	0.63	0.49	1.00	0.79	0.65	0.51	1.00	1.00	1.00	1.00	1.00	1.00	1.00	1.00	1.00	1.00	1.00																	
	Evap dT	23.93	22.01	18.40	14.67	23.88	21.95	18.35	14.62	24.15	22.22	18.62	14.89	23.86	21.93	18.33	14.60	23.60	21.67	18.07	14.34	24.81	22.88	19.28	15.55	21.81	19.88	16.28	12.55	8.82	5.09	1.36																	
	Pr Suc	125	127	130	135	133	134	137	143	139	141	144	149	145	146	149	155	150	152	155	160	157	159	162	167	153	154	157	160	163	166	169	172																
	Pr Dis	258	259	261	265	298	299	301	306	340	342	343	348	386	387	389	393	435	436	438	442	487	488	490	495	435	436	438	442	487	488	490	495																
TotalPower	2,871	2,868	2,862	2,889	3,225	3,223	3,217	3,244	3,621	3,618	3,612	3,639	4,049	4,046	4,040	4,067	4,527	4,524	4,518	4,545	5,088	5,085	5,079	5,106	5,088	5,085	5,079	5,073	5,067	5,061	5,055																		
75	Capacity	48,847	49,515	50,928	53,087	48,423	49,091	50,505	52,663	47,188	47,856	49,269	51,428	45,062	45,731	47,144	49,303	42,465	43,133	44,546	46,705	40,094	40,762	42,175	44,334	37,177	37,845	39,258	41,417	43,576	45,735	47,894	50,053																
	S/T	0.83	0.75	0.62	0.47	1.00	0.76	0.62	0.48	1.00	0.78	0.65	0.50	1.00	0.80	0.67	0.52	1.00	0.82	0.69	0.55	1.00	1.00	1.00	1.00	1.00	1.00	1.00	1.00	1.00	1.00	1.00																	
	Evap dT	22.80	20.87	17.27	13.53	22.74	20.82	17.21	13.48	23.02	21.09	17.48	13.75	22.72	20.80	17.19	13.46	22.47	20.54	16.94	13.20	23.67	21.75	18.14	14.41	21.54	19.62	16.01	12.41	8.81	5.21	1.61																	
	Pr Suc	128	129	132	137	135	137	140	145	142	143	146	152	147	149	152	157	153	154	157	163	159	161	164	169	150	152	155	158	162	167	172	177																
	Pr Dis	260	261	263	268	301	302	304	308	343	344	346	350	388	390	391	396	437	439	440	445	490	491	493	497	437	438	440	445	490	491	493	497																
TotalPower	2,889	2,886	2,880	2,907	3,243	3,241	3,234	3,262	3,639	3,636	3,630	3,657	4,067	4,064	4,058	4,085	4,545	4,542	4,536	4,563	5,106	5,103	5,097	5,124	5,106	5,103	5,097	5,091	5,085	5,079	5,073																		

IDB: Entering

IDB	Airflow	ID WB	Outdoor Ambient Temperature												105	115											
			65				75				85						95										
			59	63	67	71	59	63	67	71	59	63	67	71			59	63	67	71							
80	1200	Capacity	47,112	47,780	49,193	51,352	46,688	47,356	48,769	50,928	45,453	46,121	47,534	49,693	43,327	43,995	45,409	47,567	40,730	41,398	42,811	44,970	38,358	39,027	40,440	42,599	
		S/T	0.77	0.70	0.56	0.42	1.00	0.70	0.57	0.43	1.00	0.73	0.59	0.45	1.00	0.75	0.61	0.47	1.00	1.00	1.00	0.64	0.49	1.00	1.00	0.69	0.55
		Evap dT	30.65	28.72	25.12	21.39	30.60	28.67	25.07	21.33	30.87	28.94	25.34	21.60	30.58	28.65	25.05	21.31	30.32	28.39	24.79	21.06	31.53	29.60	26.00	22.26	
		Pr Suc	122	124	127	132	130	131	135	140	136	138	141	146	142	144	147	152	147	149	152	157	154	156	159	164	
		Pr Dis	254	255	257	261	294	296	297	302	337	338	340	344	382	383	385	389	431	432	434	439	484	485	486	491	
		TotalPower	2,834	2,832	2,826	2,853	3,189	3,186	3,180	3,207	3,584	3,581	3,575	3,602	4,012	4,009	4,003	4,030	4,490	4,488	4,482	4,509	5,051	5,049	5,043	5,070	
		Capacity	48,203	48,871	50,284	52,443	47,779	48,447	49,860	52,019	46,544	47,212	48,625	50,784	44,418	45,086	46,500	48,658	41,821	42,489	43,902	46,061	39,449	40,118	41,531	43,690	
		S/T	1.00	0.84	0.70	0.56	1.00	0.84	0.71	0.57	1.00	0.87	0.73	0.59	1.00	1.00	0.75	0.61	1.00	1.00	0.78	0.63	1.00	1.00	0.83	0.68	
		Evap dT	28.20	26.28	22.67	18.94	28.15	26.22	22.62	18.89	28.42	26.49	22.89	19.16	28.13	26.20	22.60	18.87	27.87	25.95	22.34	18.61	29.08	27.15	23.55	19.82	
		Pr Suc	126	127	130	136	133	135	138	143	140	141	144	150	145	147	150	155	151	152	155	161	158	159	162	168	
Pr Dis	258	259	261	266	299	300	302	306	341	342	344	348	386	388	389	394	435	437	438	443	488	489	491	495			
TotalPower	2,873	2,870	2,864	2,891	3,227	3,225	3,218	3,246	3,623	3,620	3,614	3,641	4,051	4,048	4,042	4,069	4,529	4,526	4,520	4,547	5,090	5,087	5,081	5,108			
Capacity	49,092	49,760	51,173	53,332	48,668	49,336	50,750	52,908	47,433	48,101	49,514	51,673	45,308	45,976	47,389	49,548	42,710	43,378	44,791	46,950	40,339	41,007	42,420	44,579			
S/T	1.00	0.87	0.74	0.60	1.00	0.88	0.75	0.60	1.00	0.91	0.77	0.63	1.00	1.00	0.79	0.65	1.00	1.00	0.81	0.67	1.00	1.00	0.86	0.72			
Evap dT	27.07	25.14	21.54	17.81	27.01	25.09	21.48	17.75	27.29	25.36	21.75	18.02	26.99	25.07	21.46	17.73	26.74	24.81	21.21	17.47	27.94	26.02	22.41	18.68			
Pr Suc	128	130	133	138	136	137	140	146	142	144	147	152	148	149	152	158	153	155	158	163	160	162	165	170			
Pr Dis	261	262	264	268	301	302	304	309	343	345	346	351	389	390	392	396	438	439	441	445	490	491	493	498			
TotalPower	2,891	2,888	2,882	2,909	3,245	3,242	3,236	3,263	3,641	3,638	3,632	3,659	4,069	4,066	4,060	4,087	4,547	4,544	4,538	4,565	5,108	5,105	5,099	5,126			
85	1200	Capacity	47,909	48,577	49,990	52,149	47,485	48,153	49,567	51,725	46,250	46,918	48,331	50,490	44,124	44,793	46,206	48,365	41,527	42,195	43,608	45,767	39,156	39,824	41,237	43,396	
		S/T	1.00	0.80	0.66	0.52	1.00	0.81	0.67	0.53	1.00	0.83	0.69	0.55	1.00	1.00	0.71	0.57	1.00	1.00	0.74	0.59	1.00	1.00	0.65	0.51	
		Evap dT	34.44	32.51	28.90	25.17	34.38	32.45	28.85	25.12	34.65	32.73	29.12	25.39	34.36	32.43	28.83	25.10	34.11	32.18	28.57	24.84	35.31	33.38	29.78	26.05	
		Pr Suc	124	126	129	134	132	133	136	142	138	140	143	148	144	145	149	154	149	151	154	159	156	158	161	166	
		Pr Dis	255	256	258	263	296	297	299	303	338	339	341	345	383	384	386	391	432	433	435	440	485	486	488	492	
		TotalPower	2,841	2,838	2,832	2,859	3,196	3,193	3,187	3,214	3,591	3,588	3,582	3,609	4,019	4,016	4,010	4,037	4,497	4,494	4,488	4,515	5,058	5,055	5,049	5,076	
		Capacity	49,000	49,668	51,081	53,240	48,576	49,244	50,658	52,816	47,341	48,009	49,422	51,581	45,215	45,884	47,297	49,456	42,618	43,286	44,699	46,858	40,247	40,915	42,328	44,487	
		S/T	1.00	0.94	0.80	0.66	1.00	1.00	0.81	0.67	1.00	1.00	0.83	0.69	1.00	1.00	0.85	0.71	1.00	1.00	0.88	0.73	1.00	1.00	1.00	0.785	
		Evap dT	31.99	30.06	26.46	22.73	31.94	30.01	26.41	22.68	32.21	30.28	26.68	22.95	31.92	29.99	26.39	22.66	31.66	29.73	26.13	22.40	32.87	30.94	27.34	23.61	
		Pr Suc	128	129	132	137	135	137	140	145	142	143	146	152	147	149	152	157	153	154	157	163	159	161	164	169	
Pr Dis	260	261	262	267	300	301	303	307	342	343	345	350	388	389	391	395	437	438	440	444	489	490	492	496			
TotalPower	2,880	2,877	2,871	2,898	3,234	3,231	3,225	3,252	3,630	3,627	3,621	3,648	4,058	4,055	4,049	4,076	4,536	4,533	4,527	4,554	5,097	5,094	5,088	5,115			
Capacity	49,889	50,557	51,970	54,129	49,465	50,134	51,547	53,706	48,230	48,898	50,311	52,470	46,105	46,773	48,186	50,345	43,507	44,175	45,589	47,747	41,136	41,804	43,217	45,376			
S/T	1.00	0.97	0.84	0.70	1.00	1.00	0.85	0.70	1.00	1.00	0.87	0.73	1.00	1.00	0.89	0.75	1.00	1.00	1.00	0.77	1.00	1.00	1.00	0.82			
Evap dT	30.85	28.93	25.32	21.59	30.80	28.87	25.27	21.54	31.07	29.14	25.54	21.81	30.78	28.85	25.25	21.52	30.52	28.60	24.99	21.26	31.73	29.80	26.20	22.47			
Pr Suc	130	131	135	140	137	139	142	147	144	146	149	154	150	151	154	160	155	157	160	165	162	163	167	172			
Pr Dis	262	263	265	269	302	303	305	310	345	346	348	352	390	391	393	397	439	440	442	447	491	493	494	499			
TotalPower	2,898	2,895	2,889	2,916	3,252	3,249	3,243	3,270	3,647	3,645	3,639	3,666	4,075	4,073	4,067	4,094	4,554	4,551	4,545	4,572	5,115	5,112	5,106	5,133			

IDB: Entering Indoor Dry Bulb Temperature
 High and low pressures are measured at the liquid and suction access fittings.
 Design Subcooling: 16 - 19 °F @ the liquid access fitting connection ARI 95 test conditions. Design Superheat: 8 - 12 °F @ the compressor suction access fitting connection.
 Shaded area reflects AHRI (TVA) conditions
 kW = Total system power
 Amps: Unit amps (comp.+ evaporator + condenser fan motors)

Outdoor Ambient Temperature		85												95						105						115													
		65						75						85						95						105						115							
		IDB	Airflow	ID WB	Capacity	S/T	Evap dT	Pr Suc	Pr Dis	TotalPower	59	63	67	71	59	63	67	71	59	63	67	71	59	63	67	71	59	63	67	71	59	63	67	71					
70	1500	Capacity	57,142	57,954	59,671	-	56,628	57,439	59,157	-	55,127	55,938	57,656	-	52,544	53,356	55,073	-	49,388	50,200	51,917	-	46,507	47,319	49,036	-	-	-	-	-	-	-	-						
		S/T	0.55	0.48	0.35	-	0.56	0.49	0.35	-	0.59	0.51	0.38	-	0.60	0.53	0.40	-	0.63	0.55	0.42	-	1.00	0.60	0.47	-	-	-	-	-	-	-	-	-					
		Evap dT	21.56	19.63	16.03	-	21.51	19.58	15.98	-	21.78	19.85	16.25	-	21.49	19.56	15.96	-	21.23	19.30	15.70	-	22.44	20.51	16.91	-	-	-	-	-	-	-	-	-	-	-			
		Pr Suc	118	120	123	-	125	127	130	-	132	133	136	-	137	138	141	-	142	144	147	-	149	150	153	-	-	-	-	-	-	-	-	-	-	-			
		Pr Dis	251	252	254	-	291	292	294	-	333	334	336	-	378	379	381	-	426	427	429	-	478	479	481	-	-	-	-	-	-	-	-	-	-	-			
	TotalPower	3,507	3,503	3,496	-	3,922	3,919	3,912	-	4,387	4,383	4,376	-	4,889	4,885	4,878	-	5,450	5,447	5,440	-	6,108	6,105	6,098	-	-	-	-	-	-	-	-	-	-	-				
	Capacity	58,237	59,049	60,766	-	57,723	58,535	60,252	-	56,222	57,034	58,751	-	53,639	54,451	56,168	-	50,483	51,295	53,012	-	47,602	48,414	50,131	-	-	-	-	-	-	-	-	-	-	-	-			
	S/T	0.66	0.58	0.45	-	0.66	0.59	0.45	-	0.69	0.61	0.48	-	0.71	0.63	0.50	-	1.00	0.65	0.52	-	1.00	0.70	0.57	-	-	-	-	-	-	-	-	-	-	-	-			
	Evap dT	19.69	17.76	14.16	-	19.64	17.71	14.11	-	19.91	17.98	14.38	-	19.62	17.69	14.09	-	19.36	17.43	13.83	-	20.57	18.64	15.04	-	-	-	-	-	-	-	-	-	-	-	-	-		
	Pr Suc	121	122	125	-	128	129	132	-	134	136	139	-	140	141	144	-	145	146	149	-	151	153	156	-	-	-	-	-	-	-	-	-	-	-	-	-		
Pr Dis	255	256	258	-	295	296	297	-	336	337	339	-	381	382	384	-	430	431	433	-	481	483	484	-	-	-	-	-	-	-	-	-	-	-	-	-			
TotalPower	3,541	3,538	3,531	-	3,957	3,954	3,947	-	4,421	4,418	4,411	-	4,923	4,920	4,913	-	5,485	5,481	5,474	-	6,143	6,140	6,132	-	-	-	-	-	-	-	-	-	-	-	-	-			
Capacity	59,920	60,732	62,449	-	59,405	60,217	61,934	-	57,904	58,716	60,433	-	55,322	56,133	57,851	-	52,165	52,977	54,695	-	49,284	50,096	51,813	-	-	-	-	-	-	-	-	-	-	-	-	-	-		
S/T	0.70	0.62	0.49	-	0.71	0.63	0.50	-	0.73	0.66	0.52	-	0.75	0.67	0.54	-	1.00	0.70	0.56	-	1.00	0.75	0.61	-	-	-	-	-	-	-	-	-	-	-	-	-	-		
Evap dT	18.07	16.14	12.54	-	18.02	16.09	12.49	-	18.29	16.36	12.76	-	18.00	16.07	12.47	-	17.74	15.81	12.21	-	18.95	17.02	13.42	-	-	-	-	-	-	-	-	-	-	-	-	-	-		
Pr Suc	124	126	129	-	131	133	136	-	138	139	142	-	143	145	148	-	148	150	153	-	155	156	159	-	-	-	-	-	-	-	-	-	-	-	-	-	-		
Pr Dis	258	259	261	-	298	299	301	-	340	341	343	-	385	386	388	-	433	434	436	-	485	486	488	-	-	-	-	-	-	-	-	-	-	-	-	-	-		
TotalPower	3,571	3,568	3,561	-	3,987	3,984	3,977	-	4,451	4,448	4,441	-	4,953	4,950	4,943	-	5,514	5,511	5,504	-	6,173	6,169	6,162	-	-	-	-	-	-	-	-	-	-	-	-	-	-		
75	1500	Capacity	57,176	57,988	59,705	62,328	56,661	57,473	59,190	61,813	55,160	55,972	57,689	60,312	52,578	53,390	55,107	57,730	49,422	50,233	51,951	54,574	46,540	47,352	49,069	51,692	-	-	-	-	-	-	-	-	-	-	-		
		S/T	0.68	0.61	0.47	0.33	0.69	0.61	0.48	0.34	0.71	0.64	0.50	0.36	1.00	0.66	0.52	0.38	1.00	0.68	0.55	0.40	1.00	0.73	0.60	0.45	-	-	-	-	-	-	-	-	-	-	-	-	
		Evap dT	25.81	23.88	20.27	16.54	25.75	23.82	20.22	16.49	26.02	24.09	20.49	16.76	25.73	23.80	20.20	16.47	25.48	23.55	19.94	16.21	26.68	24.75	21.15	17.42	-	-	-	-	-	-	-	-	-	-	-	-	-
		Pr Suc	118	120	123	128	125	127	130	135	132	133	136	141	137	138	142	147	142	144	147	152	149	150	153	158	-	-	-	-	-	-	-	-	-	-	-	-	-
		Pr Dis	252	253	254	259	291	293	294	299	333	334	336	340	378	379	381	385	427	428	429	434	478	479	481	486	-	-	-	-	-	-	-	-	-	-	-	-	-
	TotalPower	3,504	3,501	3,494	3,525	3,920	3,916	3,909	3,941	4,384	4,381	4,373	4,405	4,886	4,883	4,876	4,907	5,447	5,444	5,437	5,469	6,106	6,102	6,095	6,127	-	-	-	-	-	-	-	-	-	-	-	-	-	
	Capacity	58,271	59,083	60,800	63,423	57,756	58,568	60,285	62,908	56,255	57,067	58,784	61,407	53,673	54,485	56,202	58,825	50,517	51,329	53,046	55,669	47,635	48,447	50,164	52,787	-	-	-	-	-	-	-	-	-	-	-	-	-	
	S/T	0.78	0.71	0.57	0.43	0.79	0.71	0.58	0.44	1.00	0.74	0.61	0.46	1.00	0.76	0.62	0.48	1.00	0.78	0.65	0.51	1.00	0.83	0.70	0.56	-	-	-	-	-	-	-	-	-	-	-	-	-	
	Evap dT	23.93	22.01	18.40	14.67	23.88	21.95	18.35	14.62	24.15	22.22	18.62	14.89	23.86	21.93	18.33	14.60	23.60	21.67	18.07	14.34	24.81	22.88	19.28	15.55	-	-	-	-	-	-	-	-	-	-	-	-	-	
	Pr Suc	121	122	125	130	128	129	132	137	134	136	139	144	140	141	144	149	145	146	149	154	151	153	156	161	-	-	-	-	-	-	-	-	-	-	-	-	-	
Pr Dis	255	256	258	262	295	296	298	302	337	338	339	344	381	383	384	389	430	431	433	437	482	483	485	489	-	-	-	-	-	-	-	-	-	-	-	-	-		
TotalPower	3,539	3,535	3,528	3,560	3,954	3,951	3,944	3,976	4,418	4,415	4,408	4,440	4,921	4,917	4,910	4,942	5,482	5,479	5,471	5,503	6,140	6,137	6,130	6,162	-	-	-	-	-	-	-	-	-	-	-	-	-		
Capacity	59,953	60,765	62,482	65,105	59,439	60,250	61,968	64,591	57,938	58,749	60,467	63,090	55,355	56,167	57,884	60,507	52,199	53,011	54,728	57,351	49,318	50,130	51,847	54,470	-	-	-	-	-	-	-	-	-	-	-	-	-		
S/T	0.83	0.75	0.62	0.48	0.83	0.76	0.62	0.48	1.00	0.78	0.65	0.51	1.00	0.80	0.67	0.53	1.00	0.82	0.69	0.55	1.00	1.00	0.74	0.60	-	-	-	-	-	-	-	-	-	-	-	-	-		
Evap dT	22.31	20.38	16.78	13.05	22.26	20.33	16.73	13.00	22.53	20.60	17.00	13.27	22.24	20.31	16.71	12.98	21.98	20.05	16.45	12.72	23.19	21.26	17.66	13.93	-	-	-	-	-	-	-	-	-	-	-	-	-		
Pr Suc	124	126	129	134	131	133	136	141	138	139	142	147	143	145	148	153	148	150	153	158	155	156	159	165	-	-	-	-	-	-	-	-	-	-	-	-	-		
Pr Dis	259	260	261	266	298	299	301	306	340	341	343	347	385	386	388	392	434	435	436	441	485	486	488	493	-	-	-	-	-	-	-	-	-	-	-	-	-		
TotalPower	3,569	3,565	3,558	3,590	3,984	3,981	3,974	4,006	4,448	4,445	4,438	4,470	4,951	4,947	4,940	4,972	5,512	5,508	5,501	5,533	6,170	6,167	6,160	6,191	-	-	-	-	-	-	-	-	-	-	-	-	-		

IDB: Entering Indoor Dry Bulb Temperature
 High and low pressures are measured at the liquid and suction access fittings.
 Design Subcooling, 16 - 19 °F @ the liquid access fitting connection ARI95 test conditions. Design Superheat 8 - 12 °F @ the compressor suction access fitting connection.

Shaded area reflects ACCA (TVA) conditions
 kW = Total system power
 Amps: Unit amps (comp.+ evaporator + condenser fan motors)

IDB		Airflow		Outdoor Ambient Temperature												105		115								
				85						95																
				Entering Indoor Wet Bulb Temperature																						
		65		75		85		95		105		115														
IDB	Airflow	59	63	67	71	59	63	67	71	59	63	67	71	59	63	67	71	59	63	67	71					
80	Capacity	57,473	58,285	60,002	62,625	56,959	57,771	59,488	62,111	55,458	56,270	57,987	60,610	52,875	53,687	55,404	58,027	49,719	50,531	52,248	54,871	46,838	47,650	49,367	51,990	
	S/T	0.81	0.73	0.60	0.46	1.00	0.74	0.60	0.46	1.00	0.76	0.63	0.49	1.00	0.78	0.65	0.51	1.00	0.80	0.67	0.53	1.00	1.00	0.72	0.58	
	Evap dT	30.08	28.15	24.54	20.81	30.02	28.09	24.49	20.76	30.29	28.36	24.76	21.03	30.00	28.07	24.47	20.74	29.75	27.82	24.21	20.48	30.95	29.02	25.42	21.69	
	Pr-Suc	119	120	123	128	126	127	130	135	132	134	137	142	138	139	142	147	143	143	144	147	152	149	151	154	159
	Pr Dis	252	253	255	259	292	293	295	299	334	335	337	341	379	380	381	386	427	428	430	434	479	480	482	486	
TotalPower	3,506	3,503	3,496	3,528	3,922	3,919	3,912	3,943	4,386	4,383	4,376	4,407	4,888	4,885	4,878	4,910	5,449	5,446	5,439	5,471	6,108	6,104	6,097	6,129		
80	Capacity	58,569	59,381	61,098	63,721	58,054	58,866	60,583	63,206	56,553	57,365	59,082	61,705	53,971	54,783	56,500	59,123	50,815	51,626	53,344	55,967	47,933	48,745	50,462	53,085	
	S/T	0.91	0.83	0.70	0.56	1.00	0.84	0.70	0.56	1.00	0.86	0.73	0.59	1.00	0.88	0.75	0.61	1.00	1.00	0.77	0.63	1.00	1.00	0.82	0.68	
	Evap dT	28.20	26.28	22.67	18.94	28.15	26.22	22.62	18.89	28.42	26.49	22.89	19.16	28.13	26.20	22.60	18.87	27.87	25.95	22.34	18.61	29.08	27.15	23.55	19.82	
	Pr-Suc	121	123	126	131	128	130	133	138	135	136	139	144	140	142	145	150	145	145	147	150	155	152	153	156	162
	Pr Dis	255	256	258	263	295	296	298	303	337	338	340	344	382	383	385	389	430	431	433	438	482	483	485	489	
TotalPower	3,541	3,538	3,530	3,562	3,957	3,953	3,946	3,978	4,421	4,417	4,410	4,442	4,923	4,920	4,913	4,944	5,484	5,481	5,474	5,505	6,142	6,139	6,132	6,164		
2250	Capacity	60,251	61,063	62,780	65,403	59,736	60,548	62,265	64,888	58,235	59,047	60,764	63,387	55,653	56,465	58,182	60,805	52,497	53,309	55,026	57,649	49,615	50,427	52,145	54,767	
	S/T	1.00	0.88	0.74	0.60	1.00	0.88	0.75	0.61	1.00	0.91	0.77	0.63	1.00	0.93	0.79	0.65	1.00	1.00	0.81	0.67	1.00	1.00	0.86	0.72	
	Evap dT	26.58	24.65	21.05	17.32	26.53	24.60	21.00	17.27	26.80	24.87	21.27	17.54	26.51	24.58	20.98	17.25	26.25	24.32	20.72	16.99	27.46	25.53	21.93	18.20	
	Pr-Suc	125	126	129	134	132	133	136	142	138	140	143	148	144	145	148	153	149	150	153	158	156	157	160	165	
	Pr Dis	259	260	262	266	299	300	302	306	341	342	343	348	386	387	388	393	434	435	437	441	486	487	489	493	
TotalPower	3,571	3,567	3,560	3,592	3,986	3,983	3,976	4,008	4,451	4,447	4,440	4,472	4,953	4,950	4,942	4,974	5,514	5,511	5,504	5,535	6,172	6,169	6,162	6,194		
1500	Capacity	58,442	59,254	60,971	63,594	57,927	58,739	60,456	63,079	56,426	57,238	58,955	61,578	53,844	54,656	56,373	58,996	50,688	51,500	53,217	55,840	47,807	48,618	50,336	52,959	
	S/T	1.00	0.83	0.70	0.56	1.00	0.84	0.70	0.56	1.00	0.86	0.73	0.59	1.00	1.00	0.75	0.61	1.00	1.00	0.77	0.63	1.00	1.00	0.82	0.68	
	Evap dT	33.86	31.93	28.33	24.60	33.81	31.88	28.28	24.55	34.08	32.15	28.55	24.82	33.79	31.86	28.26	24.53	33.53	31.60	28.00	24.27	34.74	32.81	29.21	25.48	
	Pr-Suc	120	122	125	130	128	129	132	137	134	135	138	144	139	141	144	149	145	146	149	154	154	153	156	161	
	Pr Dis	253	254	256	261	293	294	296	300	335	336	338	342	380	381	383	387	428	429	431	436	480	481	483	487	
TotalPower	3,514	3,511	3,504	3,536	3,930	3,927	3,919	3,951	4,394	4,391	4,384	4,415	4,896	4,893	4,886	4,918	5,457	5,454	5,447	5,479	6,116	6,112	6,105	6,137		
85	Capacity	59,537	60,349	62,066	64,689	59,023	59,835	61,552	64,175	57,522	58,334	60,051	62,674	54,939	55,751	57,468	60,091	51,783	52,595	54,312	56,935	48,902	49,714	51,431	54,054	
	S/T	1.00	0.93	0.80	0.66	1.00	0.94	0.80	0.66	1.00	1.00	0.83	0.69	1.00	1.00	0.85	0.71	1.00	1.00	0.87	0.73	1.000	1.000	0.921	0.780	
	Evap dT	31.99	30.06	26.46	22.73	31.94	30.01	26.41	22.68	32.21	30.28	26.68	22.95	31.92	29.99	26.39	22.66	31.66	29.73	26.13	22.40	32.87	30.94	27.34	23.61	
	Pr-Suc	123	124	128	133	130	132	135	140	137	138	141	146	142	143	146	151	147	149	152	157	154	155	158	163	
	Pr Dis	257	258	259	264	296	298	299	304	338	339	341	345	383	384	386	390	432	433	434	439	483	484	486	491	
TotalPower	3,549	3,545	3,538	3,570	3,965	3,961	3,954	3,986	4,429	4,425	4,418	4,450	4,931	4,928	4,920	4,952	5,492	5,489	5,482	5,513	6,150	6,147	6,140	6,172		
2250	Capacity	61,219	62,031	63,749	66,371	60,705	61,517	63,234	65,857	59,204	60,016	61,733	64,356	56,621	57,433	59,150	61,773	53,465	54,277	55,994	58,617	50,584	51,396	53,113	55,736	
	S/T	1.00	0.98	0.84	0.70	1.00	0.98	0.85	0.71	1.00	1.00	0.87	0.73	1.00	1.00	0.89	0.75	1.00	1.00	0.91	0.77	1.00	1.00	0.82		
	Evap dT	30.37	28.44	24.84	21.11	30.31	28.39	24.78	21.05	30.59	28.66	25.06	21.32	30.30	28.37	24.76	21.03	30.04	28.11	24.51	20.78	31.25	29.32	25.71	21.98	
	Pr-Suc	127	128	131	136	134	135	138	143	140	142	145	150	145	147	150	155	151	152	155	160	157	159	162	167	
	Pr Dis	260	261	263	267	300	301	303	307	342	343	345	349	387	388	390	394	435	436	438	442	487	488	490	494	
TotalPower	3,579	3,575	3,568	3,600	3,994	3,991	3,984	4,016	4,458	4,455	4,448	4,480	4,961	4,957	4,950	4,982	5,522	5,519	5,511	5,543	6,180	6,177	6,170	6,202		

IDB: Entering Indoor Dry Bulb Temperature
 High and low pressures are measured at the liquid and suction access fittings.
 Design Subcooling: 16 - 19 °F @ the liquid access fitting connection ARI 95 test conditions. Design Superheat 8 - 12°F @ the compressor suction access fitting connection.
 Shaded area reflects AHRI (TVA) conditions
 kW = Total system power
 Amps: Unit amps (comp.+ evaporator + condenser fan motors)

Electrical Heater Data

ELECTRIC HEATERS							
MODEL #	MIN AIRFLOW	MAX AIRFLOW	EH*D-*S05	EH*D-*S10	EH*D-*S15	EH*D-*S16	EH*D-*S22
DBH036*D	1175	1350	X	X		X	
DBH048*D	1300	1800	X	X	X		X
DBH060*D	1625	2250	X	X	X		X

3 Ton Heat Pump - Downshot

SPEED TAP	EXTERNAL STATIC PRESSURE (ESP) IN W. C.	STANDARD CFM	AMPS	BHP	RPM
T1	0.2	1115	0.15	115	568
	0.4	1095	0.17	126	620
	0.6	1004	0.19	141	695
	0.8	899	0.21	154	760
T2	0.2	1269	0.19	145	568
	0.4	1176	0.21	158	621
	0.6	1084	0.23	175	696
	0.8	991	0.26	192	760
T3	0.2	1365	0.23	170	638
	0.4	1262	0.24	178	667
	0.6	1166	0.26	196	736
	0.8	1034	0.29	216	808
T4	0.2	-	-	-	-
	0.4	1378	0.30	223	698
	0.6	1291	0.33	244	763
	0.8	1197	0.36	268	839
T5	0.2	-	-	-	-
	0.4	1447	0.33	249	718
	0.6	1358	0.36	270	781
	0.8	1254	0.40	298	860

3 Ton Heat Pump - Horizontal

SPEED TAP	EXTERNAL STATIC PRESSURE (ESP) IN W. C.	STANDARD CFM	AMPS	BHP	RPM
T1	0.2	1138	0.16	123	604
	0.4	1117	0.18	134	660
	0.6	1024	0.20	150	739
	0.8	917	0.22	164	808
T2	0.2	1295	0.21	154	643
	0.4	1200	0.23	168	702
	0.6	1106	0.25	186	776
	0.8	1011	0.27	204	851
T3	0.2	1393	0.24	181	679
	0.4	1288	0.25	190	710
	0.6	1190	0.28	209	783
	0.8	1055	0.31	229	859
T4	0.2	-	-	-	-
	0.4	1406	0.32	237	743
	0.6	1317	0.35	259	812
	0.8	1221	0.38	285	893
T5	0.2	-	-	-	-
	0.4	1476	0.36	265	764
	0.6	1385	0.39	288	831
	0.8	1280	0.42	317	915

4 Ton Heat Pump - Downshot

SPEED TAP	EXTERNAL STATIC PRESSURE (ESP) IN W. C.	STANDARD CFM	AMPS	BHP	RPM
T1	0.2	1323	0.26	192	675
	0.4	1229	0.28	207	729
	0.6	1111	0.30	225	793
	0.8	1002	0.33	243	855
T2	0.2	1569	0.39	292	761
	0.4	1486	0.41	309	807
	0.6	1406	0.44	327	852
	0.8	1311	0.47	347	906
T3	0.2	1585	0.40	299	767
	0.4	1503	0.43	317	812
	0.6	1424	0.45	334	856
	0.8	1331	0.48	355	910
T4	0.2	1815	0.57	427	848
	0.4	1739	0.60	447	888
	0.6	1680	0.62	465	922
	0.8	1605	0.65	487	965
T5	0.2	1735	0.51	378	820
	0.4	1657	0.53	397	861
	0.6	1594	0.56	414	898
	0.8	1511	0.58	436	945

4 Ton Heat Pump - Horizontal

SPEED TAP	EXTERNAL STATIC PRESSURE (ESP) IN W. C.	STANDARD CFM	AMPS	BHP	RPM
T1	0.2	1350	0.27	204	718
	0.4	1254	0.30	220	776
	0.6	1134	0.32	240	844
	0.8	1022	0.35	258	910
T2	0.2	1601	0.42	310	810
	0.4	1517	0.44	329	858
	0.6	1434	0.47	348	907
	0.8	1338	0.50	370	964
T3	0.2	1617	0.43	318	816
	0.4	1534	0.45	337	864
	0.6	1453	0.48	356	911
	0.8	1358	0.51	378	968
T4	0.2	1852	0.61	455	902
	0.4	1775	0.64	476	944
	0.6	1715	0.66	494	981
	0.8	1637	0.69	518	1027
T5	0.2	1770	0.54	402	872
	0.4	1691	0.57	422	915
	0.6	1626	0.59	441	955
	0.8	1542	0.62	464	1005

5 Ton Heat Pump - Downshot

SPEED TAP	EXTERNAL STATIC PRESSURE (ESP) IN W. C.	STANDARD CFM	AMPS	BHP	RPM
T1	0.2	1711	0.43	318	759
	0.4	1647	0.45	338	807
	0.6	1573	0.48	357	852
	0.8	1501	0.51	377	899
T2	0.2	1910	0.56	420	822
	0.4	1852	0.59	442	864
	0.6	1796	0.62	460	901
	0.8	1735	0.65	481	941
T3	0.2	1821	0.50	372	794
	0.4	1762	0.53	393	839
	0.6	1699	0.55	412	878
	0.8	1633	0.58	432	922
T4	0.2	2143	0.77	571	893
	0.4	2074	0.80	597	934
	0.6	2024	0.83	618	967
	0.8	1977	0.86	638	999
T5	0.2	1924	0.57	429	827
	0.4	1866	0.60	450	869
	0.6	1811	0.63	469	904
	0.8	1751	0.66	490	945

5 Ton Heat Pump - Horizontal

SPEED TAP	EXTERNAL STATIC PRESSURE (ESP) IN W. C.	STANDARD CFM	AMPS	BHP	RPM
T1	0.2	1746	0.45	338	807
	0.4	1681	0.48	359	858
	0.6	1605	0.51	380	907
	0.8	1532	0.54	401	957
T2	0.2	1949	0.60	447	875
	0.4	1889	0.63	470	920
	0.6	1832	0.66	490	958
	0.8	1770	0.69	512	1001
T3	0.2	1859	0.53	396	845
	0.4	1798	0.56	418	892
	0.6	1734	0.59	438	934
	0.8	1666	0.62	460	981
T4	0.2	2187	0.81	607	950
	0.4	2116	0.85	635	993
	0.6	2065	0.88	657	1029
	0.8	2017	0.91	679	1063
T5	0.2	1964	0.61	456	880
	0.4	1904	0.64	479	924
	0.6	1848	0.67	499	962
	0.8	1786	0.70	521	1005

Static Pressure

3-5 TONS		
DOWNFLOW ECONOMIZER PRESSURE DROP		
Cabinet	CFM	SP in.wg.
3 Ton	900	.03"
	1200	.05"
	1500	.08"
4 Ton	1200	.06"
	1600	.10"
	2000	.14"
5 Ton	1500	.08"
	2000	.14"
	2500	.22"

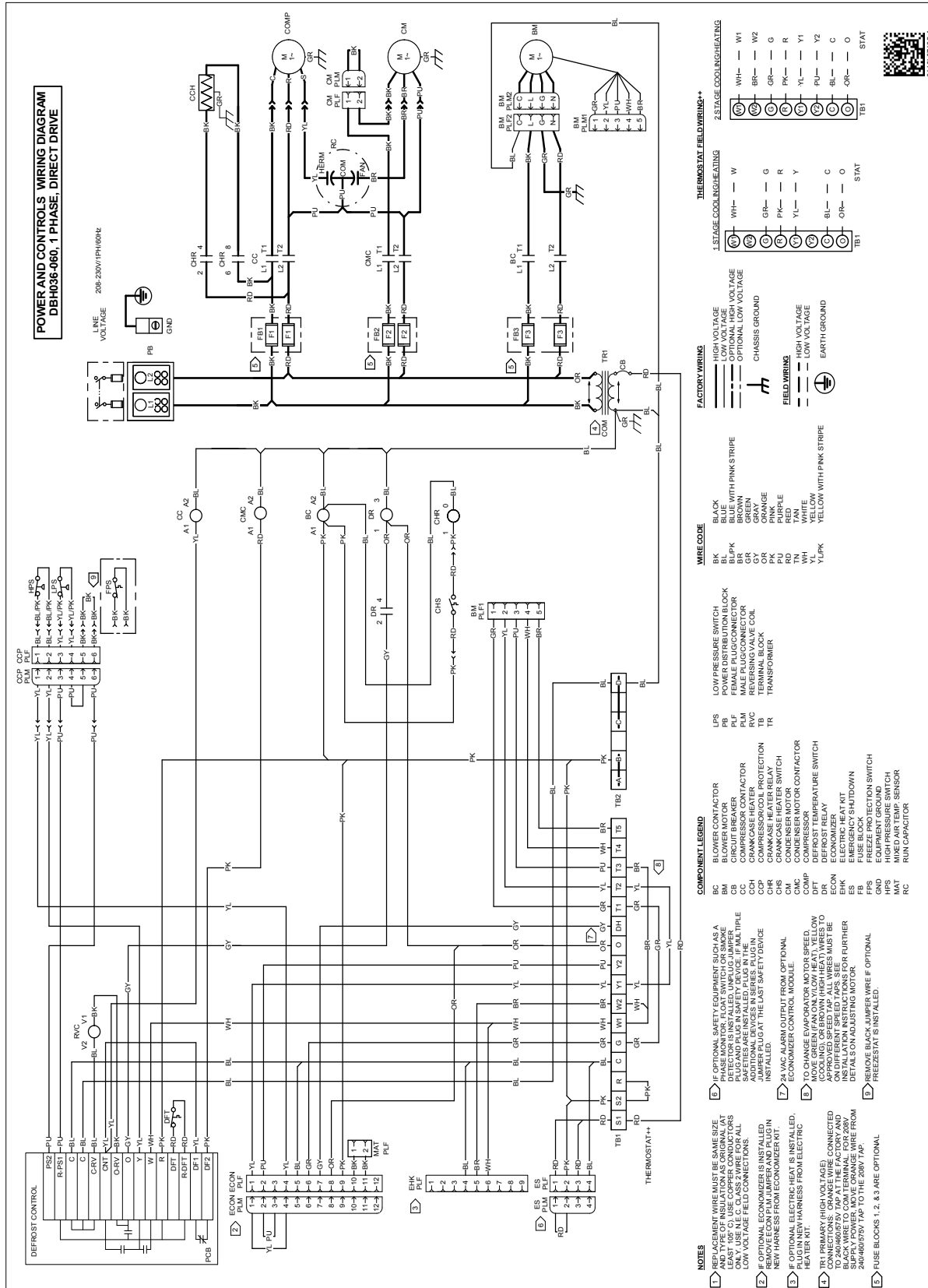
3-5 TONS		
HORIZONTAL ECONOMIZER PRESSURE DROP		
Cabinet	CFM	SP in.wg.
3 Ton	900	.06"
	1200	.11"
	1500	.16"
4 Ton	1200	.11"
	1600	.19"
	2000	.29"
5 Ton	1500	.18"
	2000	.30"
	2500	.45"

Electrical Data

Model Number	Electrical Rating	Compressor			Outdoor Fan Motor			Indoor Fan Motor			Optional Electric Heat			Optional Powered Convenience Outlet	Optional Power Exhaust	Power Supply	
		QTY	RLA	LRA	QTY	HP	FLA	Type	HP	FLA	PART #	KW*	FLA	FLA	FLA	MCA	MOP
DBH0361D	208/230/1/60	1	16.67	79	1	0.17	0.95	Direct-Drive Standard Static	0.75	5.7	-	-	-	-	-	27.5/27.5	40/40
											-	-	-	9.6/8.7	-	37.1/36.2	50/50
											-	-	-	-	1.7/1.5	29.2/29.0	40/40
											-	-	-	9.6/8.7	1.7/1.5	38.8/37.7	50/50
											-	-	-	-	-	50.1/53.5	60/60
											-	-	-	9.6/8.7	-	59.7/62.2	70/70
											-	-	-	9.6/8.7	1.7/1.5	51.8/55.0	60/60
											-	-	-	9.6/8.7	1.7/1.5	61.4/63.7	70/70
											-	-	-	-	-	72.6/79.6	80/80
											-	-	-	9.6/8.7	-	82.2/88.3	90/90
											-	-	-	9.6/8.7	1.7/1.5	74.3/81.1	80/90
											-	-	-	9.6/8.7	1.7/1.5	83.9/89.8	90/90
DBH0363D	208/230/3/60	1	10.45	73	1	0.17	0.95	Direct-Drive Standard Static	0.75	5.7	-	-	-	-	-	19.7/19.7	30/30
											-	-	-	9.6/8.7	-	29.3/28.4	35/35
											-	-	-	-	1.7/1.5	21.4/21.2	30/30
											-	-	-	9.6/8.7	1.7/1.5	31.0/29.9	35/35
											-	-	-	-	-	32.7/34.7	40/40
											-	-	-	9.6/8.7	-	42.3/43.4	50/50
											-	-	-	9.6/8.7	1.7/1.5	34.4/36.2	40/40
											-	-	-	9.6/8.7	1.7/1.5	44.0/44.9	50/50
											-	-	-	-	-	45.8/49.8	50/50
											-	-	-	9.6/8.7	-	55.4/58.5	60/60
											-	-	-	9.6/8.7	1.7/1.5	47.5/51.3	50/60
											-	-	-	9.6/8.7	1.7/1.5	57.1/60.0	60/60
DBH0481D	208/230/1/60	1	19.87	109	1	0.25	1.4	Direct-Drive Standard Static	1	6.9	-	-	-	-	-	33.1/33.1	50/50
											-	-	-	9.6/8.7	-	42.7/41.8	60/60
											-	-	-	-	1.7/1.5	34.8/34.6	50/50
											-	-	-	9.6/8.7	1.7/1.5	44.4/43.3	60/60
											-	-	-	-	-	55.7/59.2	70/70
											-	-	-	9.6/8.7	-	65.3/67.9	80/80
											-	-	-	9.6/8.7	1.7/1.5	57.4/60.7	70/70
											-	-	-	9.6/8.7	1.7/1.5	67.0/69.4	80/80
											-	-	-	-	-	78.3/85.2	80/90
											-	-	-	9.6/8.7	-	87.9/93.9	90/100
											-	-	-	9.6/8.7	1.7/1.5	80.0/86.7	80/90
											-	-	-	9.6/8.7	1.7/1.5	89.6/95.4	90/100
DBH0483D	208/230/3/60	1	13.14	83.1	1	0.25	1.4	Direct-Drive Standard Static	1	6.9	-	-	-	-	-	24.7/24.7	35/35
											-	-	-	9.6/8.7	-	34.3/33.4	45/45
											-	-	-	-	1.7/1.5	26.4/26.2	35/35
											-	-	-	9.6/8.7	1.7/1.5	36.0/34.9	45/45
											-	-	-	-	-	37.8/39.8	45/45
											-	-	-	9.6/8.7	-	47.4/48.5	50/50
											-	-	-	9.6/8.7	1.7/1.5	39.5/41.3	45/45
											-	-	-	9.6/8.7	1.7/1.5	49.1/50.0	50/50
											-	-	-	-	-	50.8/54.8	60/60
											-	-	-	9.6/8.7	-	60.4/63.5	70/70
											-	-	-	9.6/8.7	1.7/1.5	52.5/56.3	60/60
											-	-	-	9.6/8.7	1.7/1.5	62.1/65.0	70/70
DBH0483D	208/230/3/60	1	13.14	83.1	1	0.25	1.4	Direct-Drive Standard Static	1	6.9	-	-	-	-	-	63.8/69.8	70/70
											-	-	-	9.6/8.7	-	73.4/78.5	80/80
											-	-	-	-	1.7/1.5	65.5/71.3	70/80
											-	-	-	9.6/8.7	1.7/1.5	75.1/80.0	80/90
											-	-	-	-	-	76.6/84.6	80/90
											-	-	-	9.6/8.7	-	86.2/93.3	90/100
											-	-	-	9.6/8.7	1.7/1.5	78.3/86.1	80/90
											-	-	-	9.6/8.7	1.7/1.5	87.9/94.8	90/100

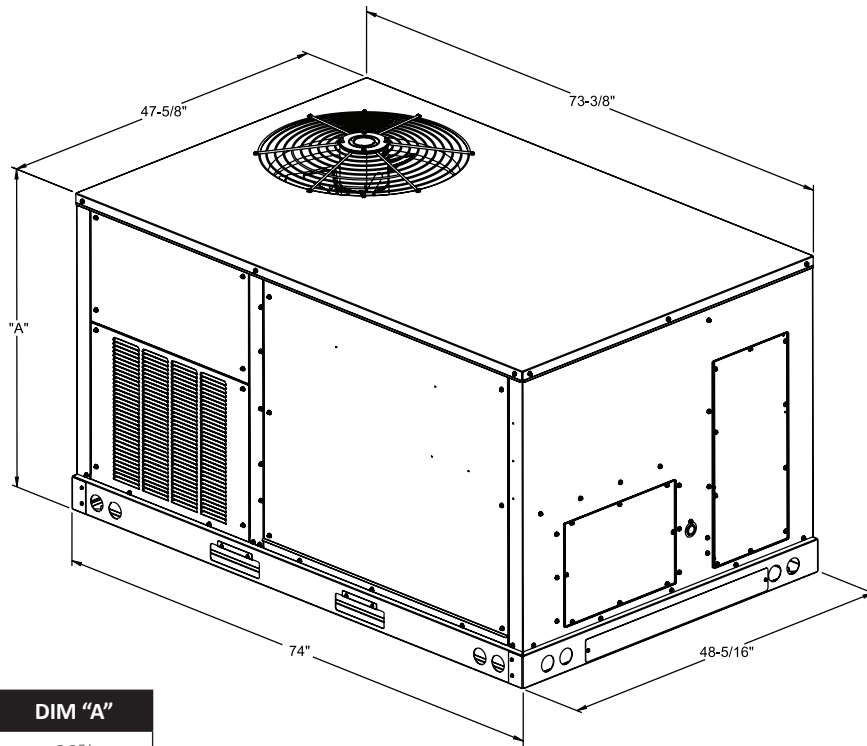
Electrical Data

Model Number	Electrical Rating	Compressor			Outdoor Fan Motor			Indoor Fan Motor			Optional Electric Heat			Optional Powered Convenience Outlet	Optional Power Exhaust	Power Supply	
		QTY	RLA	LRA	QTY	HP	FLA	Type	HP	FLA	PART #	KW*	FLA	FLA	FLA	MCA	MOP
DBH0601D	208/230/1/60	1	25.00	134	1	0.33	2.3	Direct-Drive Standard Static	1	6.9	-	-	-	-	-	40.4/40.4	60/60
											-	-	-	9.6/8.7	-	50.0/49.1	70/70
											-	-	-	-	1.7/1.5	42.1/41.9	60/60
											-	-	-	9.6/8.7	1.7/1.5	51.7/50.6	70/70
											-	-	-	-	-	63.0/66.5	80/80
											EH*D-1S05	3.76/5.00	18.1/20.8	9.6/8.7	-	72.6/75.2	90/90
											-	-	-	-	1.7/1.5	64.7/68.0	80/80
											-	-	-	9.6/8.7	1.7/1.5	74.3/76.7	90/90
											-	-	-	-	-	85.6/92.5	100/100
											EH*D-1S10	7.51/10.0	36.1/41.7	9.6/8.7	-	95.2/101	110/110
											-	-	-	-	1.7/1.5	87.3/94.0	100/100
											-	-	-	9.6/8.7	1.7/1.5	96.9/103	110/110
											-	-	-	-	-	108/119	110/125
											EH*D-1S15	11.3/15.0	54.2/62.5	9.6/8.7	-	118/127	125/150
											-	-	-	-	1.7/1.5	110/120	110/125
											-	-	-	9.6/8.7	1.7/1.5	119/129	125/150
EH*D-1S22	15.0/20.0	72.2/83.3	-	-	131/145	150/150											
-	-	-	9.6/8.7	-	140/153	150/175											
-	-	-	-	1.7/1.5	132/146	150/150											
-	-	-	9.6/8.7	1.7/1.5	142/155	150/175											
DBH0603D	208/230/3/60	1	15.90	110	1	0.33	2.3	Direct-Drive Standard Static	1	6.9	-	-	-	-	-	29.1/29.1	40/40
											-	-	-	9.6/8.7	-	38.7/37.8	50/50
											-	-	-	-	1.7/1.5	30.8/30.6	40/40
											-	-	-	9.6/8.7	1.7/1.5	40.4/39.3	50/50
											-	-	-	-	-	42.1/44.1	50/50
											EH*D-3S05	3.76/5.00	10.4/12.0	9.6/8.7	-	51.7/52.8	60/60
											-	-	-	-	1.7/1.5	43.8/45.6	50/50
											-	-	-	9.6/8.7	1.7/1.5	53.4/54.3	60/60
											-	-	-	-	-	55.1/59.1	60/60
											EH*D-3S10	7.51/10.0	20.8/24.1	9.6/8.7	-	64.7/67.8	70/70
											-	-	-	-	1.7/1.5	56.8/60.6	60/70
											-	-	-	9.6/8.7	1.7/1.5	66.4/69.3	70/70
											-	-	-	-	-	68.2/74.2	70/80
											EH*D-3S15	11.3/15.0	31.3/36.1	9.6/8.7	-	77.8/82.9	80/90
											-	-	-	-	1.7/1.5	69.9/75.7	70/80
											-	-	-	9.6/8.7	1.7/1.5	79.5/84.4	80/90
-	-	-	-	-	80.9/88.9	90/90											
EH*D-3S22	15.0/19.9	41.5/47.9	9.6/8.7	-	90.5/97.6	100/100											
-	-	-	-	1.7/1.5	82.6/90.4	90/100											
-	-	-	9.6/8.7	1.7/1.5	92.2/99.1	100/100											

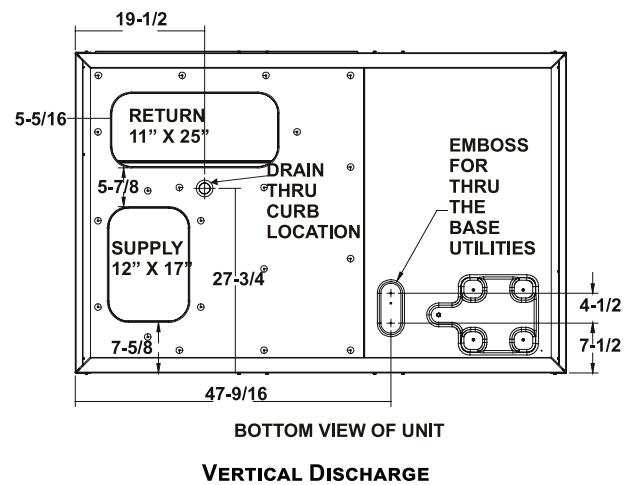
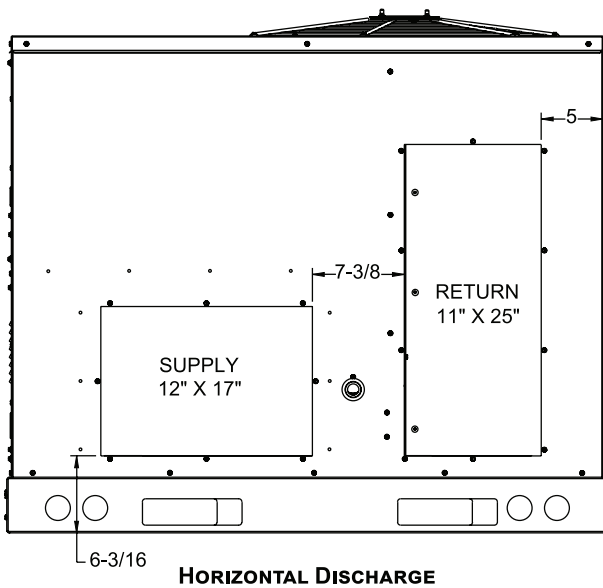


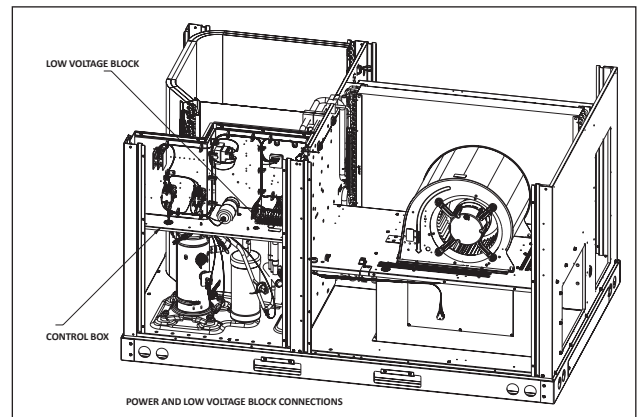
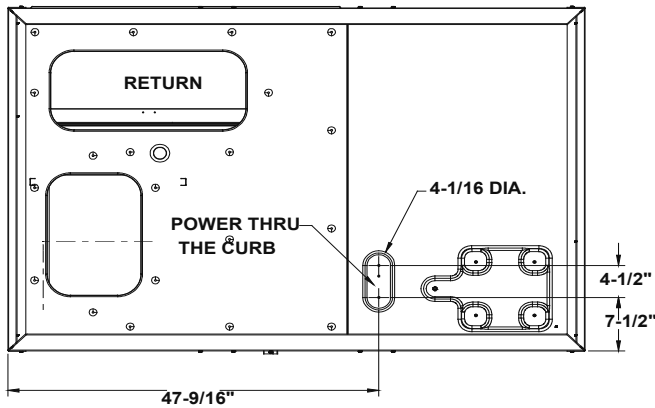
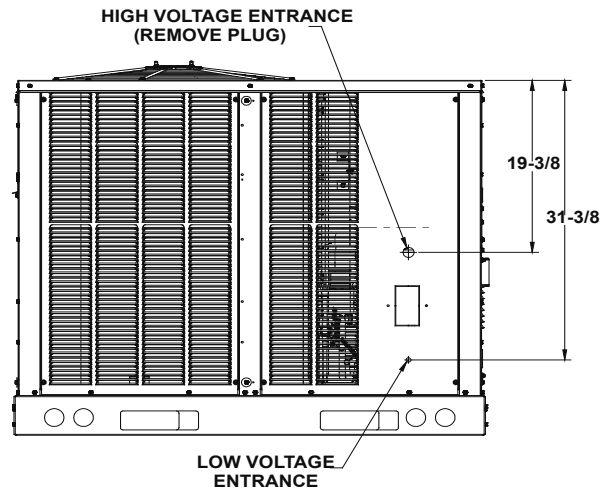
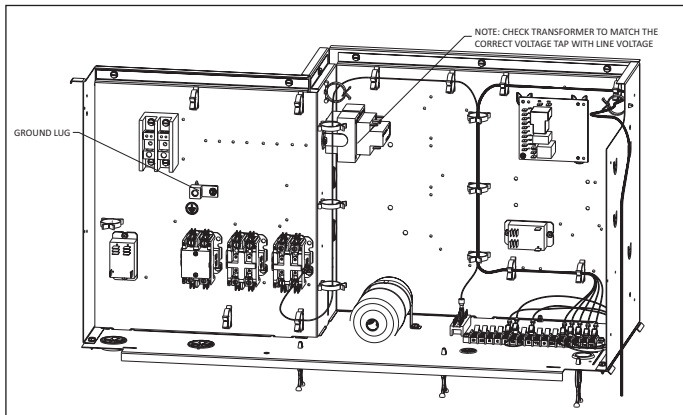
WARNING

High Voltage: Disconnect all power before servicing or installing this unit. Multiple power sources may be present. Failure to do so may cause property damage, personal injury, or death.



Model Size	DIM "A"
3-4 ton HP	39 ⁷ / ₈ "
5 ton HP	43 ¹ / ₂ "

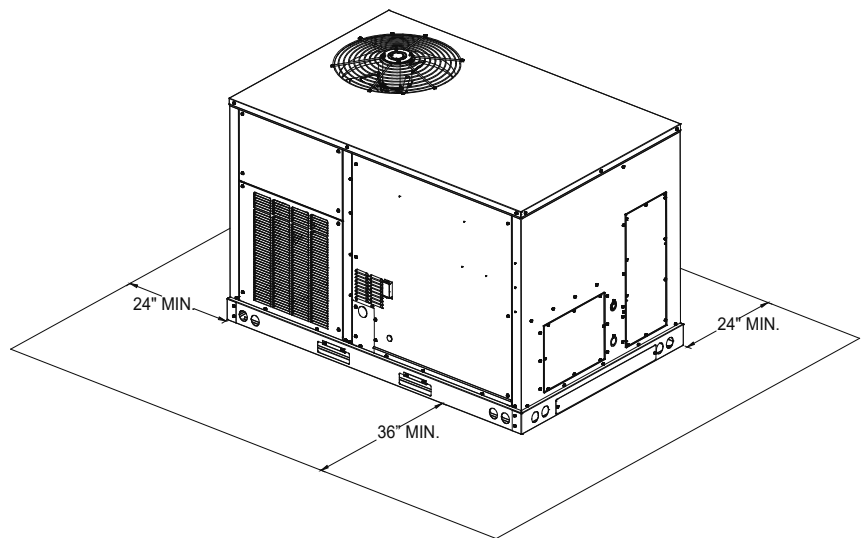




Unit Clearances

Service Clearance

Allow for recommended service clearances as shown in figure to the right. In situations that have multiple units, a 36" minimum clearance is required between the condenser coils. A clearance of 48" is recommended on all sides of the unit to allow service access and to ensure proper ventilation and condenser airflow. The top of the unit should be unobstructed. Provide a roof walkway along the sides of the unit for service and access to controls and components. Contact your Daikin sales representative for service requirements less than those recommended.



Unit Location

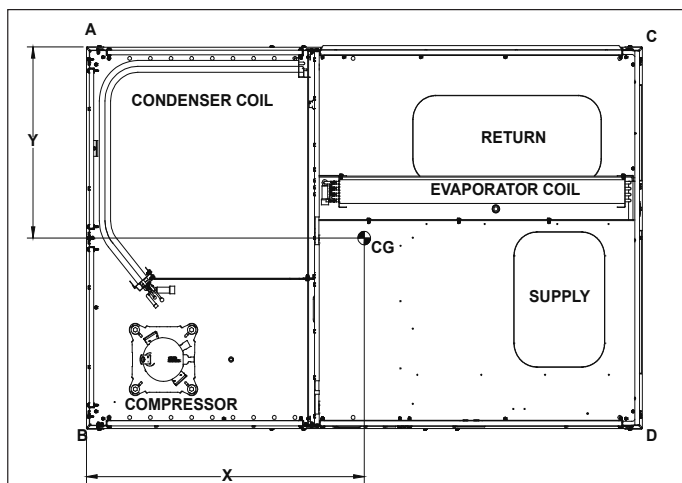
The structural engineer must verify that the roof has adequate support and ability to minimize deflection. Take extreme caution when using on a wooden roof structure. Unit condenser coils should be in a location that avoids any heated exhaust air.

Allow sufficient space around the unit for maintenance/service clearance. Consult your Daikin sales representative if available clearances do not meet minimum recommendations.

Where code considerations, such as the NEC, require extended clearances, these take precedence.

Provisions for forks have been included in the unit base frame. No other fork locations are approved.

- » Unit must be lifted by the four lifting holes located at the base frame corners.
- » Lifting cables should be attached to the unit with shackles.
- » The distance between the crane hook and the top of the unit must not be less than 60”.
- » Two spreader bars must span over the unit to prevent damage to the cabinet by the lift cables. Spreader bars must be of sufficient length so that cables do not come in contact with the unit during transport. Remove wood struts mounted beneath unit base



CORNER & CENTER-OF-GRAVITY LOCATIONS

frame before setting unit on roof curb. These struts are intended to protect unit base frame from forklift damage. To remove the struts, extract the sheet metal retainers and pull the struts through the base of the unit. Refer to rigging label on the unit.

Important: If using bottom discharge with roof curb, ductwork should be attached to the curb prior to installing the unit. Refer to the Roof Curb Installation Instructions for proper curb installation. Curbing must be installed in compliance with the National Roofing Contractors Association Manual. Lower unit carefully onto roof mounting curb. While rigging the unit, the center of gravity will cause the condenser end to be lower than the supply air end. Bring condenser end of unit into alignment with the curb. With condenser end of the unit resting on curb member and using curb as a fulcrum, lower opposite end of the unit until entire unit is seated on the curb. When a rectangular cantilever curb is used, take care to center the unit. Check for proper alignment and orientation of supply and return openings with duct.

Roof Curb Installation

The roof curb is field-assembled and must be installed level (within 1/16” per foot side to side). A sub-base must be constructed by the contractor in applications involving pitched roofs. Gaskets are furnished and must be installed between the unit and curb. For proper installation, follow NRCA guidelines. In applications requiring post and rail installation, an I-beam securely mounted on multiple posts should support the unit on each side. In addition, the insulation on the underside of the unit should be protected from the elements. Applications in geographic areas subjected to seismic or hurricane conditions must meet code requirements for fastening the unit to the curb and the curb to the building structure. For further and more detailed information please refer to our Daikin Light Commercial Packaged unit IOD.

Weights

Model	Shipping Weight (lbs)	Operating Weight (lbs)	Corner Weights (lbs)				Length X (in)	Width Y (in)
			A	B	C	D		
DBH0363D000001S	605	560	102	186	136	136	35%	27%
DBH0483D000001S	629	589	162	165	111	151	32%	25 ⁹ / ₁₀
DBH0603D000001S	672	632	198	149	92	193	33%	26%

Accessories

Field Accessory part number	Description	Fits Model Sizes	Field-Installed	Factory-Installed	Operating Weight (lbs)
Electric Heat Kits					
EHXD-1S05	Electric Heater, Direct-Drive, 208-230V, 1PH, 5kW	3-5 ton	√	√	
EHXD-1S10	Electric Heater, Direct-Drive, 208-230V, 1PH, 10kW	3-5 ton	√	√	
EHXD-1S16	Electric Heater, Direct-Drive, 208-230V, 1PH, 15kW	3 ton	√	√	
EHXD-1S15	Electric Heater, Direct-Drive, 208-230V, 1PH, 15kW	4-5 ton	√	√	
EHXD-1S22	Electric Heater, Direct-Drive, 208-230V, 1PH, 20kW	4-5 ton	√	√	
EHXD-3S05	Electric Heater, Direct-Drive, 208-230V, 3PH, 5kW	3-5 ton	√	√	
EHXD-3S10	Electric Heater, Direct-Drive, 208-230V, 3PH, 10kW	3-5 ton	√	√	
EHXD-3S16	Electric Heater, Direct-Drive, 208-230V, 3PH, 15kW	3 ton	√	√	
EHXD-3S15	Electric Heater, Direct-Drive, 208-230V, 3PH, 15kW	4-5 ton	√	√	
EHXD-3S22	Electric Heater, Direct-Drive, 208-230V, 3PH, 20kW	4-5 ton	√	√	
Duct Smoke Detectors					
	Duct Smoke Detectors- Return	3-5 ton		√	11
	Duct Smoke Detectors- Supply	3-5 ton		√	11
	Duct Smoke Detectors- Supply and Return	3-5 ton		√	11
Non-Fused Disconnect Switch					
	60 Amp Disconnect	3-5 ton		√	5
	100 Amp Disconnect	3-5 ton		√	5
	150 Amp Disconnect	3-5 ton		√	5
Convenience Outlets					
	Convenience Outlets- Powered, 208/230 V	3-5 ton		√	42
	Convenience Outlets- Non-Powered	3-5 ton		√	2
Hinged Access Panels					
	Hinged Access Panels, 39" cabinet	3-4 ton		√	
	Hinged Access Panels, 43" cabinet	5 ton		√	
Economizer					
0270L01163	Horizontal Economizer Ultra Low-Leak (Title 24) JADE® Dry-Bulb, 39" cabinet	3-4 ton	√		88
0270L01759	Horizontal Economizer Ultra Low-Leak (Title 24) JADE Enthalpy Sensor, 39" cabinet	3-4 ton	√		88
0270L01598	Horizontal Economizer Ultra Low-Leak (Title 24) JADE Dry-Bulb, 43" cabinet	5 ton	√		88
0270L01757	Horizontal Economizer Ultra Low-Leak (Title 24) JADE Enthalpy Sensor, 43" cabinet	5 ton	√		88
0270L01753	Downflow Economizer Standard Low-Leak JADE Ethalpy Sensor	3-5 ton	√		65
0270L01755	Downflow Economizer Ultra Low-Leak (Title 24) JADE Ethalpy Sensor	3-5 ton	√		65
0270L01156	Downflow Economizer Standard Low-Leak JADE Dry-Bulb	3-5 ton	√		65
0270L01158	Downflow Economizer Ultra Low-Leak (Title 24) JADE Dry-Bulb	3-5 ton	√		65
Curbs and Restraint Clips					
0221L00014	Roof Curb 14" Tall, Knocked Down	3-5 ton	√		80
0221L00015	Roof Curb 24" Tall, Knocked Down	3-5 ton	√		109
0270L01261	Hold Down Bracket Kit	3-5 ton	√		8
0270L01250	Hold Down Bracket Kit for Daikin Roof curb	3-5 ton	√		8
0221L00019	Roof Curb 14" Tall Seismic with Hold Down Brackets, Knocked Down	3-5 ton	√		102
0221L00020	Roof Curb 14" Tall Wind-Rated Hurricane with Hold Down Brackets, Welded	3-5 ton	√		140
Concentrics					
0270L01602	Concentric Diffuser 24 x 48 with 16" Dia. collars	3-5 ton	√		32
0270L01603	Concentric Diffuser 24 x 48 with 18" Dia. collars	3-5 ton	√		35
0270L01335	Concentric Duct Adaptor Kit for 16" Dia. Duct	3-5 ton	√		28
0270L01338	Concentric Duct Adaptor Kit for 18" Dia. Duct	3-5 ton	√		28

Accessories availability may vary.

Accessories

Field Accessory part number	Description	Fits Model Sizes	Field-Installed	Factory-Installed	Operating Weight (lbs)
Dampers					
0270L01165	2 Position Motorized Damper	3-5 ton	√		40
0270L01166	Manual Outdoor Air Damper	3-5 ton	√		24
Hail Guard Kits					
HAILGD036HE	Condenser Coil Hail Guards, 39" cabinet	3-4 ton	√	√	
HAILGD048060HE	Condenser Coil Hail Guards, 43" cabinet	5 ton	√	√	
High-Efficiency Filters					
0160L00268	High-Efficiency MERV 8 Air Filter Kit- 14x20x2 (qty 4)	3-4 ton	√		4
0160L00268	High-Efficiency MERV 8 Air Filter Kit- 14x20x2 (qty 2)	5 ton	√		4
0160L00270	High-Efficiency MERV 8 Air Filter Kit- 20x20x2 (qty 2)	5 ton	√		4
0160L00204	High-Efficiency MERV 13 Air Filter Kit- 14x20x2 (qty 4)	3-4 ton	√		4
0160L00204	High-Efficiency MERV 13 Air Filter Kit- 14x20x2 (qty 2)	5 ton	√		4
0160L00201	High-Efficiency MERV 13 Air Filter Kit- 20x20x2 (qty 2)	5 ton	√		4
Misc Accessories					
TTBCKHE01	Through the Base Gas/Electrical	3-5 ton	√	√	1
3PMKP1	Phase Monitor Kit	3-5 ton	√	√	2
0270L01232	Burglar bars Inserts	3-5 ton	√		18
Power Exhaust					
0270L01167	Power Exhaust Prop Downflow Economizer, 230 V	3-5 ton	√		57
0270L01170	Power Exhaust Prop Horizontal Economizer, 230 V	3-5 ton	√		47
Controls, Thermostats and Sensors					
DT4272C	Comm Touch Digital Stat w/ Wi-Fi 4h/2c	3-25 ton	√		1
DT4273C	Comm Touch Digital Stat w/ Wi-Fi & Humidity Control 4h/2cc	3-25 ton	√		1
PSPAC-WS	Remote indoor sensor	3-25 ton	√		1
250803400	AppStat™ RTU 2H/2C Econ	3-25 ton	√		1
250803600	AppStat™ HPU 3H/2C Econ (Heat Pump)	3-25 ton	√		1
D4271C	4h/2c Commercial 7day Programmable Wi-Fi Capable thermostat	3-25 ton	√		1
D4272C	4h/2c Commercial 7day Programmable Wi-Fi Capable Hum/dehum thermostat	3-25 ton	√		1
C7232A1024	CO ₂ Sensor (Wall Mtd)	3-25 ton	√		1
C7232B1022	CO ₂ Sensor (Duct Mtd)	3-25 ton	√		1
D2270C	Mini Wi-Fi Thermostat	3-25 ton	√		1
TSTATD2152-2	Value Series 2h/1c 5+2 prgm (Heat Pump)	3-25 ton	√		1
TSTATD2100-2	Value Series 2h/1c No prgm (Heat Pump)	3-25 ton	√		1
TSTATD1100-2	Value Series 1h/1c No prgm	3-25 ton	√		1
TSTATD1152-2	Value Series 1h/1c 5+2 prgm	3-25 ton	√		1
PSPAC-AW	Add-A-Wire	3-25 ton	√		1
PSPAC-2W	2-Wire Kit	3-25 ton	√		1
PSPAC-OS	Wired Indoor / Outdoor Remote Sensor	3-25 ton	√		1
PSPAC-DS	Wired Duct Sensor	3-25 ton	√		1
PSPAC-WFMS	Wireless Wi-Fi Mini Sensor	3-25 ton	√		1
PSPAC-LR	Lock Ring for Premium Commercial Thermostats	3-25 ton	√		1
PSPAC-PWF	Wi-Fi Module	3-25 ton	√		1
PSPAC-WP	Wall Plate- Premium & Value Series	3-25 ton	√		1
PSPAC-WPT	Wall Plate Color Touch Screen	3-25 ton	√		1
PSPAC-WPM-S	Wall Plate Premium Mini- Small	3-25 ton	√		1
PSPAC-WPM-M	Wall Plate Premium Mini- Medium	3-25 ton	√		1
PSPAC-WPM-L	Wall Plate Premium Mini- Large	3-25 ton	√		1
C7400S1000	Differential Enthalpy Sensor	3-25 ton	√		1
D4120	Smoke Detector- Duct Mounted	3-25 ton	√		1
D4120W	Smoke Detector- Watertight	3-25 ton	√		1

Note: Where multiple variations are available, the heaviest combination is listed. Accessories availability may vary.

Factory Installed Options

- » **Non-Powered Convenience Outlet:** A 120V, 15A, GFCI outlet can be installed in the unit making it easier for technicians to service other units once an electrician runs power to the outlet. Outlet shall be factory-installed and internally mounted with easily accessible 120-v female receptacle. Transformer not included for this option. Outlet shall include a field-installed “While-in-Use” cover.
- » **Powered Convenience Outlet:** A 115V, 15A, GFCI outlet can be powered with a step-transformer built into the unit. When a factory-installed powered convenience outlet is installed in the equipment, the unit MCA (Min. Circuit Ampacity) will increase by 9.6A for 208V units; increase by 8.7A for 230V; increase by 4.35A for 460V units; and by 3.5A for 575V units. The MOP (Max. Overcurrent Protection) device must be sized accordingly. Outlet shall be powered from main line power to the rooftop unit. Outlet shall include a field installed “While-in-Use” cover.
- » **Return Air and/or Supply Air Smoke Detectors:** Return air and/or supply air smoke detectors can be installed in the unit. To safely identify the presence of smoke inside the air conditioning system and shutdown the blower to prevent the smoke to disperse into different zones.
- » **Disconnect Switch (non-fused):** A disconnect switch can be installed in the unit with factory wiring complete from the switch to the unit. Please note that for air conditioner and heat pump units, the appropriate electric heat kit must be ordered along with the disconnect switch (non-fused) to be factory-installed. For models with a powered convenience outlet option and a disconnect switch (non-fused) option, the power to the powered convenience outlet will be shut off when the disconnect switch (non-fused) is in the off position. National Electric Code (NEC) and UL approved non-fused switch shall provide unit power shutoff. The switch shall be accessible from outside of the unit and provide local shutdown and lockout capability.
- » **Hinged Access Panels:** Allows access to unit’s major components. Combined with latches for easy access to control box, compressor, filters and blower motor.
- » **Through-the-base electrical connection:** Allows an easy and fast field installation through the unit base pan.
- » **Electromechanical Controls:** Basic controls that include terminal block for unit connectivity to T-Stat.

Field Installed Options

- » **Manual Fresh Air Damper:** Manual damper package shall consist of damper, air inlet screen, and rain hood which can be preset to admit up to 25% outdoor air for year round ventilation.
- » **Motorized Fresh Air Damper:** A two-position damper with rain hood and screen provides up to 50% outside air when the indoor fan starts and closes when the indoor fan shuts down. Consist of actuator, damper, air inlet screen, and rain hood. Damper shall close upon indoor (evaporator) fan shutoff and/or loss of power. The damper actuator shall plug into the rooftop unit’s wiring harness plug. No hard wiring shall be required.
- » **Power Exhaust:** Power exhaust shall be used in conjunction with an integrated economizer. This accessory exhausts return air and may be used in either downflow or horizontal (duct-mounted) applications. Horizontal power exhaust shall be mounted in return ductwork. Power exhaust shall be controlled by economizer controller operation. Exhaust fans shall be energized when dampers open past the 0-100% adjustable setpoint on the economizer control.
- » **Horizontal Economizer:** Fully modulating between 0 and 100%, contain seals that meet ASHRAE 90.1 requirements. Includes motor and dampers, minimum position settings, preset linkage, wiring harness with plug, mixed air temperature sensor, and enthalpy control. An optional duct-mounted barometric relief damper is available. An optional return enthalpy sensor is available to provide comparative or differential enthalpy control. Damper blades shall be galvanized steel with composite gears. Plastic or composite blades on intake or return shall not be acceptable. Standard leak rate shall be equipped with dampers not to exceed 2% leakage at 1 in. wg pressure differential. Ultra Low Leak design meets California Title 24 section 140.4 and ASHRAE 90.1 requirements for 4 cfm per sq.ft. on the outside air dampers and 10 cfm per sq. ft. on the return dampers. Shall be designed to close damper(s) during loss-of-power situations with spring return built into motor. Economizer controller shall accept a 2-10 Vdc CO₂ sensor input for IAQ/DCV control. In this mode, dampers shall modulate the outdoor air damper to provide ventilation based on the sensor input.
- » Economizer controller shall be Honeywell® JADE® W7220 that provides:
 - 2-line LCD interface screen for setup, configuration and troubleshooting.
 - On-board Fault Detection and Diagnostics (FDD) that senses and alerts when the economizer is not operating properly, per California Title 24.
 - Sensor failure loss of communication identification
 - Automatic sensor detection
 - Capabilities for use with multiple-speed indoor fan systems
 - Utilize digital sensors: Dry bulb and Enthalpy
 - Economizer controller shall provide indications when in free cooling mode, in the DCV mode, or the exhaust fan contact is closed.

- » **Roof curbs:** Full perimeter roof curb with exhaust capability providing separate air streams for energy recovery from the exhaust air without supply air contamination. Two different heights 14" and 24", allows proper installation and structure stability. Formed galvanized steel with wood nailer strip and shall be capable of supporting entire unit weight.
- » **Concentric duct kits:** Designed to provide a single-point air distribution system with the added benefit of having directional air control.
- » **Restraint mounting clips:** Allows for installation reinforcement for Hurricane and/or seismic events.
- » **CO₂ sensor:** Sensor designed to alarm the system when the CO₂ levels are outside safe parameters.
- » **Burglar Bar Sleeves:** Designed to prevent the access thru the return or supply ducting inside the unit.
- » **Downflow square to round adapter 18":** Installed into a recessed portion of the roof curb, the concentric duct adaptor changes the orientation of the ductwork from square to round for applications utilizing that type of ducting system.
- » **Side discharge concentric diffuser system:** The Concentric diffuser system is an all in one supply and return duct free arrangement for RTU systems. This system comes with two separate duct connections, one for a supply and another for a return.
- » **Remote indoor sensor:** Remote sensor to monitor the temperature on zones away from the main thermostat.
- » **Drain pan overflow switch:** Allows the controls to detect and send an alarm when there is an overflow on the drain pan.
- » **Freeze stat:** Temperature sensing device that monitors the heat exchange to prevent the coil from freezing.

Factory and Field Installed Options

- » **Downflow Economizer:** Fully modulating between 0 and 100%, contain seals that meet ASHRAE 90.1 requirements. Includes motor and dampers, minimum position settings, a preset linkage, a wiring harness with plug, a mixed air temperature sensor, enthalpy control, and a barometric relief damper. An optional return enthalpy sensor is available to provide comparative or differential enthalpy control. Damper blades shall be galvanized steel with composite gears. Plastic or composite blades on intake or return shall not be acceptable. Standard leak rate shall be equipped with dampers not to exceed 2% leakage at 1 in. wg pressure differential. Ultra Low Leak design meets California Title 24 section 140.4 and ASHRAE 90.1 requirements for 4 cfm per sq.ft. on the outside air dampers and 10 cfm per sq. ft. on the return dampers. Shall be designed to close damper(s) during loss-of-power situations with spring return built into motor. Economizer controller shall accept a 2-10 Vdc CO₂ sensor input for IAQ/DCV control. In this mode, dampers shall modulate the outdoor air damper to provide ventilation based on the sensor input. Economizer controller shall be Honeywell® W7220 that provides:
 - » Economizer controller shall be *Honeywell* W7220 that provides:
 - 2-line LCD interface screen for setup, configuration and troubleshooting.
 - On-board Fault Detection and Diagnostics (FDD) that senses and alerts when the economizer is not operating properly, per California Title 24.
 - Sensor failure loss of communication identification
 - Automatic sensor detection
 - Capabilities for use with multiple-speed indoor fan systems
 - Utilize digital sensors: Dry bulb and Enthalpy
 - Economizer controller shall provide indications when in free cooling mode, in the DCV mode, or the exhaust fan contact is closed.
- » **Low Ambient Control:** Allows cooling operation down to 35°F outdoor ambient temperature for 3-6 ton units.
- » **Phase Monitor:** Phase monitor (3-Phase only) shall provide protection for motors and compressors against problems caused by phase loss, phase reversal and phase unbalance. Phase monitor is equipped with an LED that provides an ON or FAULT indicator.
- » **Condenser Hail Guards:** Louvered metal guards help protect the condenser coil from hail and debris; available as a field-installed options on 3-12½ ton units.

