



**Base Efficiency Air Conditioner  
Belt-Drive Packaged Rooftop Unit  
DBC Commercial  
3-5 Nominal Tons  
14 SEER / 11.5 EER**



\*Complete warranty details available from your local distributor or manufacturer's representative or at [www.daikincomfort.com](http://www.daikincomfort.com) or [www.daikinac.com](http://www.daikinac.com)



## Our Perfect Package:

Harnessing energy-efficient performance, proven technology, and enhanced comfort for life.

Since becoming the first company in Japan to manufacture packaged air conditioning systems, in 1951, Daikin has supported comfortable indoor living based on the strengths and technologies that have led to the growth of the company becoming one of the world's largest manufacturers of HVAC products, systems and refrigerants.

Today, as a comprehensive global manufacturer of HVAC products and systems, the Daikin brand is committed to being recognized as a truly global and excellent company capable of continually creating new value for its customers. The company plans to pursue sustainable growth and foster business operations that consistently harmonize with the goals of improving indoor comfort.

The group philosophy of the company includes:

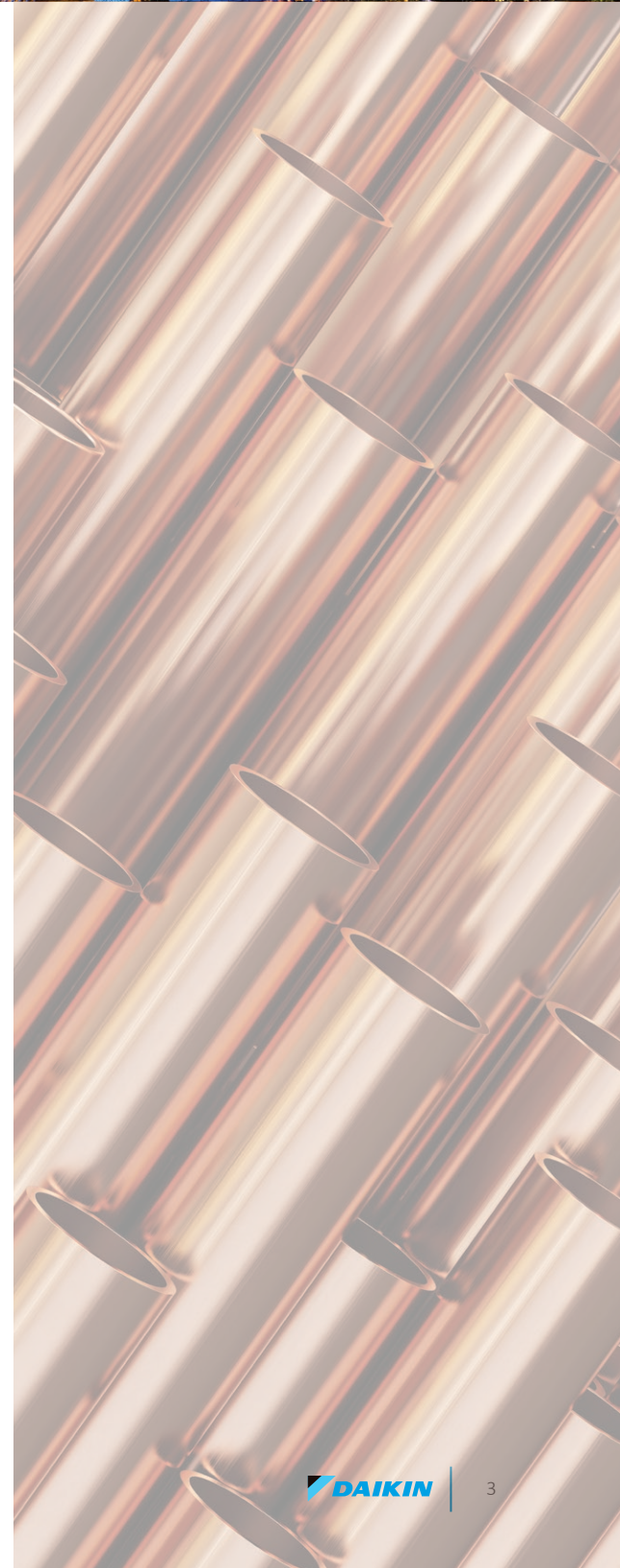
- » Creating new value continuously for customers
- » Developing world leading energy-saving technology
- » Being a flexible and dynamic organization
- » Allowing employees to be the driving force for the success of the company
- » Fostering an atmosphere of best practices, boldness, and innovation
- » Thinking and acting globally





# Contents

<b>2</b>	<b>Introduction</b>	<b>2</b>
<b>4</b>	<b>Nomenclature</b>	<b>4</b>
<b>5</b>	<b>Features and Benefits</b>	<b>5</b>
	Applications	8
	Serviceability	8
<b>9</b>	<b>Product Specifications</b>	<b>9</b>
	Coil Dimensions	11
	AHRI Ratings	11
	Sound Data	11
<b>12</b>	<b>Expanding Cooling Data</b>	<b>12</b>
<b>18</b>	<b>Electric Heater Data</b>	<b>18</b>
<b>19</b>	<b>Air Flow</b>	<b>19</b>
<b>22</b>	<b>Static Pressure</b>	<b>22</b>
<b>23</b>	<b>Electrical Data</b>	<b>23</b>
<b>29</b>	<b>Wiring Diagrams</b>	<b>29</b>
<b>30</b>	<b>Dimensional Data</b>	<b>30</b>
<b>31</b>	<b>Electrical Connections</b>	<b>31</b>
	Unit Clearances	31
<b>32</b>	<b>Installation</b>	<b>32</b>
	Weights	32
<b>33</b>	<b>Accessories</b>	<b>33</b>
<b>36</b>	<b>Factory Installed Options</b>	<b>36</b>
<b>36</b>	<b>Field Installed Options</b>	<b>36</b>
<b>37</b>	<b>Factory and Field Installed Options</b>	<b>37</b>



# Nomenclature

	D	B	C	036	1	B	XXX	A	X	A	X	X	X	X	X	X	X	A	*	
	1	2	3	4,5,6	7	8	9,10,11	12	13	14	15	16	17	18	19	20	21	22	23	24
<b>Revision Levels</b>																				Major & Minor
<b>Brand</b>	D Daikin																			
<b>Configuration</b>	B New Base Efficiency																			
<b>Application</b>	C Cooling G Gas Heat H Heat Pump																			
<b>Nominal Cooling Capacity</b>	036 3 Tons 048 4 Tons 060 5 Tons																			X No Options
<b>Voltage</b>	3 208-230/3/60 4 460/3/60 7 575/3/60																			
<b>Supply Fan/Drive Type/Motor</b>	B Belt-Drive - Standard Static C Belt-Drive - High-Static																			
<b>Nominal Heating Capacity</b>																				
<b>Gas/Electric</b>	A/C H/P Factory-Installed Electric Heat																			
045 45,000 BTU/h	XXX No Heat																			
070 70,000 BTU/h	005 5kW																			
090 90,000 BTU/h	010 10 kW																			
115 115,000 BTU/h	015 15 kW																			
140 140,000 BTU/h	018 18 kW																			
	020 20 kW																			
	030 30 kW																			
<i>See product specifications for heat size(s) available for each capacity.</i>																				
<b>Refrigeration Systems</b>	A Single-stage cooling modes																			
<b>Heat Exchanger</b>	X No options A Standard Aluminized Exchanger S Stainless Steel Exchanger																			
<b>Controls</b>	A Electromechanical controls																			
<b>AC Stocking Models</b>																				
New Daikin 3-5 Ton Belt-Drive																				
<b>MODEL NUMBER</b>	<b>CODE STRING</b>																			
DBC0363B000001S	DBC0363BXXXAXXXXXXXXXX																			
DBC0364B000001S	DBC0364BXXXAXXXXXXXXXX																			
DBC0367B000001S	DBC0367BXXXAXXXXXXXXXX																			
DBC0483B000001S	DBC0483BXXXAXXXXXXXXXX																			
DBC0484B000001S	DBC0484BXXXAXXXXXXXXXX																			
DBC0487B000001S	DBC0487BXXXAXXXXXXXXXX																			
DBC0603B000001S	DBC0603BXXXAXXXXXXXXXX																			
DBC0604B000001S	DBC0604BXXXAXXXXXXXXXX																			
DBC0607B000001S	DBC0607BXXXAXXXXXXXXXX																			
<b>Service Options</b>	X No Option A Powered convenience outlet B Non-powered convenience outlet C Hinge Panels D Hinged Panels and Powered convenience outlet E Hinged Panels and non-powered convenience outlet																			
<b>Electrical</b>	X No Options A Non-Fused Disconnect B Phase Monitor C Thru-the-base connections E Non-Fused Disconnect and Phase Monitor F Non-Fused Disconnect and Thru-the-base connections H Phase Monitor and Thru-the-base connections L Non-Fused Disconnect, Thru-the-base connections and Phase Monitor																			
<b>Economizer</b>	X No Options A Ultra Low-Leak Downflow Economizer w/Enthalpy Sensor B Low-Leak Downflow Economizer w/Enthalpy Sensor G Ultra Low-Leak Downflow Economizer w/Dry Bulb Sensor H Low-Leak Downflow Economizer w/Dry Bulb Sensor																			
<b>Hail guard</b>	X No Options C Hail Guard																			
<b>Sensors</b>	X No Options A RA Smoke Detector B SA Smoke Detector G Ultra Low-Leak Downflow Economizer w/ Dry Bulb Sensor H Low-Leak Downflow Economizer w/ Dry Bulb Sensor																			



## Features and Benefits

Daikin Packaged Rooftop Units (RTUs) are built to perform, with features and options that help provide low installation and operation costs, superior indoor air quality, efficient operation, and longevity.

### Installation

Daikin Packaged units are designed with fast and easy installation in mind and are ideal for both new construction and retrofit projects. Our packaged rooftop units are built to be a direct replacement for most rooftop units on the field without the need of a curb adapter, to be able to replace the unit in a shorter time and at a lower cost (compared to the previous design).

### Cabinet Construction

Daikin packaged rooftop units are made with high quality galvanized steel with a powder-paint finish to provide higher corrosion resistance.

- » Easy accessibility using our tool-less filter access.
- » The interior surface in the indoor air section is fully insulated to prevent sweating and thermal losses, using our foil face fiberglass insulation which also omits exposed filter fibers into the airstream.
- » 1" Raised flanged edges around the supply and return offer easy installation for the duct connections.

- » The full perimeter base rail is built using heavy gauge galvanized steel for a stronger structural installation, the base rails are a minimum of 3 ½" tall and include holes to allow for overhead rigging and lifting with forklifts.
- » Electrical lines and can be brought through the base of the unit or through the horizontal knockout for easy installation and accessibility on the field.

### Compressor

High performance, low noise scroll compressors to match the required total load.

- » Resiliently factory-mounted on rubber grommets for vibration isolation
- » Refrigeration circuit includes both a low- and high-pressure transducer, high pressure safety switch and temperature sensors for the suction and discharge.
- » Unit is factory charged with environmentally friendly R-410A refrigerant.
- » Single-stage scroll compressors.
- » Compressor location outside the condenser section to avoid air bypass.
- » Internal overload protection included with compressor.

### Supply Fan

Indoor forward curb fans paired with belt-drive motors provide an easy in the field belt and pulley adjustment for airflow control.

- » Slide out forward curb fan for easy maintenance and replacement.
- » High-static drive options for application with high airflow/ static requirements.
- » Each fan assembly is dynamically trim balanced at the factory before shipment for quick start-up and efficient operation.
- » Motor with thermal overload and phase failure protection is provided for motor long lasting operation.



### Coils

All units use large face area outdoor coils. These coils are constructed with seamless copper tubes, mechanically bonded into aluminum plate-type fins with full drawn collars to completely cover the tubes for high operating efficiencies.

The indoor coil section is installed in a draw through configuration to provide better dehumidification.

- » Coils are factory pressure tested to ensure pressure and leak integrity..
- » Copper tube / aluminum fin coils on condenser and evaporator
- » 5mm Smart Coil Technology on all condenser coils for improved performance and reduced refrigerant load.

### Controls and Wiring

Packaged rooftop units come equipped with a well-organized, large, easy to use weatherproof internal control box with easy access, for a better user experience.

- » Units are factory-wired with labeled color-coded wires and complete 24-volt Electromechanical controls package.
- » Units include single-point power entry as standard and also available with electric heat kits if selected.
- » Terminal blocks are provided as standard for easy installation and field power wiring.

### Filtration

Unit provides a draw-through filter section as standard for better air quality and long lasting component maintenance.

- » Filters installed on the units are standard off the shelf sizes for easy replacement.
- » One or two size filter per unit for low maintenance cost and easy replacement.
- » Easy and fast filter service access.

### Heating Section

Wide ranging of electric heat selections effectively handle most comfort heating demand from morning warm-up control to full heat.

### Electric Heat

ETL approved electric heat is factory assembled, installed and tested.

- » Heating control is fully integrated into the unit's control system for quick start-up and reliable control.
- » Durable low watt density, nickel chromium elements provide longer life (compared to units without).
- » Fuses are provided in each branch circuit to a maximum of 48 Amps per NEC requirements.
- » Single-point power connection reduces installation cost.
- » For operational safeties electric heat includes automatic reset, and high temperature limit safety protection and an airflow safety switch to prevent electric heat operation in the event of no airflow.

### Electrical

Units are completely wired and tested at the factory to provide faster commissioning and start-up.

- » Wiring complies with NEC requirements and all applicable UL standards.
- » For ease of use, wiring and electrical components are number coded and labeled according to the electrical diagram.
- » A 120 V GFI convenience receptacle requiring independent power supply for the receptacle is optional.
- » An optional unit powered 20 amp 115 V convenience receptacle, complete with factory mounted transformer, disconnect switch, and primary and secondary overload protection, eliminates the need to pull a separate 115 V power source.
- » Supply air fan, compressor, and condenser fan motor branch circuits have individual short circuit protection. Unit includes knockouts in the bottom of the main control panels for field wiring entrance.
- » A single-point power connection with power block is standard and a terminal board is provided for connecting low voltage control wiring.
- » For better serviceability an optional non-fused disconnect switch can be installed inside the control panel and operated by an externally mounted handle to disconnect the electrical power at the unit







### Applications

Daikin Rooftop units are intended for comfort cooling applications in normal heating, ventilating, and air conditioning. Consult your local Daikin sales representative for applications involving operations at high ambient temperatures, high altitudes, non-cataloged voltages, or for job-specific unit selections that fall outside of the range of the catalog tables.

For proper operation, units should be rigged in accordance with instructions stated on the installation manual. Fire dampers, if required, must be installed in the ductwork according to local and/or state codes. No space is allowed for these dampers in the unit.

Follow factory check, test and start procedures explicitly to achieve satisfactory start-up and operation.

Most rooftop applications take advantage of the significant energy savings provided with economizer operation. When an economizer system is used, mechanical refrigeration is typically not required below an ambient temperature of 50°F.

### Serviceability

Daikin packaged rooftop units are built with serviceability in mind, designed to make future maintenance and service on the unit easy and accessible.

- » Our packaged rooftop units offer a slide out blower to facilitate the access and removal of the fan.
- » Filter panels on the small chassis line offer tool-less access for easy maintenance.
- » Independent compressor outside of the air bypass to eliminate component blockage and provide easy access.
- » Labeled field connections, color coded and continuously marked wire to identify point-to-point component connections.
- » All 3 - 5 ton units are designed for convertible airflow orientation to serve downflow or horizontal applications. Every unit ships prepared to convert to horizontal orientation in the field if required.
- » Condenser clean out from inside-out.
- » Easy access to gas valves and control panel.



Model	DBC0363B000001S	DBC0364B000001S	DBC0367B000001S
<b>Cooling Capacity</b>			
Total BTU/H	35,000	35,000	35,000
SEER / EER	14.0/11.5	14.0/11.5	14.0/11.5
AHRI Reference #	205301400	205301401	205301403
<b>Evaporator MOTOR Coil</b>			
Motor Type	Belt-Drive	Belt-Drive	Belt-Drive
External Static Pressure (ESP)	Standard	Standard	Standard
Wheel Dia. X Width	12x11	12x11	12x11
Indoor Nominal CFM	1160	1160	1160
RPM	1725	1725	1725
Indoor Horsepower	1.00	1.00	1.00
Filter Size (in)	20 X 25 X 2 (2)	20 X 25 X 2 (2)	20 X 25 X 2 (2)
Drain Size (NPT)	¾	¾	¾
R-410A Refrigerant Charge (oz.)	99	99	99
Evaporator Coil Face Area (ft <sup>2</sup> )	6.4	6.4	6.4
Rows Deep/ Fins per Inch	4 / 16	4 / 16	4 / 16
<b>Belt-Drive Evap Fan Data</b>			
Motor Sheave	1VL34 X 5/8	1VL34 X 5/8	1VL34 X 5/8
Blower Sheave	AK59H	AK59H	AK59H
Belt	AX50	AX50	AX50
<b>Condenser Fan/Coil</b>			
Quantity of Condenser Fan Motors	1	1	1
RPM (High/Low stage)	810	810	810
Outdoor Horsepower	0.17	0.17	0.17
Fan Diameter/ # Fan Blades	22 / 3	22 / 3	22 / 3
Face Area (ft <sup>2</sup> )	12.5	12.5	12.5
Rows Deep / Fins per Inch	2 / 28	2 / 28	2 / 28
<b>Compressor (all Single-stage)</b>			
Quantity / Type / Stages	1 / Scroll / 1	1 / Scroll / 1	1 / Scroll / 1
Compressor RLA / LRA	10.4 / 73.0	5.77 / 38.0	3.78 / 36.5
<b>Electrical Data</b>			
Voltage-Phase-Frequency	208/230-3-60	460-3-60	575-3-60
Indoor Blower FLA	3.4	1.7	2.3
Max External Static (In. W.C.)	0.7	0.7	0.7
Outdoor Fan FLA	0.95	0.48	0.39
Min. Circuit Ampacity <sup>1</sup>	17.4/17.4	9.39	7.42
Max. Overcurrent Protection (A) <sup>2</sup>	25/25	15	15
Power Supply Conduit Hole Dia. (in)	1.125	1.125	1.125
Low-Voltage Conduit Hole Dia. (in)	0.5	0.5	0.5
<b>OPERATING weight (lbs.)</b>			
Operating Weight (lbs)	573	573	573
<b>shipping weight (lbs.)</b>			
Ship Weight (lbs)	619	619	619

<sup>1</sup> Wire size should be determined in accordance with National Electrical Codes. Extensive wire runs will require larger wire sizes.

<sup>2</sup> May use fuses or HACR-type circuit breakers of the same size as noted.

Note: Always check the S&R plate for electrical data on the unit being installed.

Model	DBC0483B000001S	DBC0484B000001S	DBC0487B000001S
<b>Cooling Capacity</b>			
Total BTU/H	46,500	46,500	46,500
SEER / EER	14.0/11.5	14.0/11.5	14.0/11.5
AHRI Reference #	205301404	205301406	205301407
<b>Evaporator MOTOR Coil</b>			
Motor Type	Belt-Drive	Belt-Drive	Belt-Drive
External Static Pressure (ESP)	Standard	Standard	Standard
Wheel Dia. X Width	12x11	12x11	12x11
Indoor Nominal CFM	1470	1470	1470
RPM	1725	1725	1725
Indoor Horsepower	1.00	1.00	1.00
Filter Size (in)	20 X 25 X 2 (2)	20 X 25 X 2 (2)	20 X 25 X 2 (2)
Drain Size (NPT)	¾	¾	¾
R-410A Refrigerant Charge (oz.)	108	108	108
Evaporator Coil Face Area (ft²)	6.4	6.4	6.4
Rows Deep/ Fins per Inch	4 / 16	4 / 16	4 / 16
<b>Belt-Drive Evap Fan Data</b>			
Motor Sheave	1VL40 X 5/8	1VL40 X 5/8	1VL40 X 5/8
Blower Sheave	AK64H	AK64H	AK64H
Belt	AX52	AX52	AX52
<b>Condenser Fan/Coil</b>			
Quantity of Condenser Fan Motors	1	1	1
RPM (High/Low stage)	1075	1075	1075
Outdoor Horsepower	0.25	0.25	0.25
Fan Diameter/ # Fan Blades	22 / 4	22 / 4	22 / 4
Face Area (ft²)	13.3	13.3	13.3
Rows Deep / Fins per Inch	2 / 28	2 / 28	2 / 28
<b>Compressor (all Single-stage)</b>			
Quantity / Type / Stages	1 / Scroll / 1	1 / Scroll / 1	1 / Scroll / 1
Compressor RLA / LRA	13.1 / 83.1	6.09 / 41	4.36 / 33
<b>Electrical Data</b>			
Voltage-Phase-Frequency	208/230-3-60	460-3-60	575-3-60
Indoor Blower FLA	3.4	1.7	2.3
Max External Static (In. W.C.)	0.7	0.7	0.7
Outdoor Fan FLA	1.4	0.7	0.55
Min. Circuit Ampacity <sup>1</sup>	21.2/21.2	10	8.3
Max. Overcurrent Protection (A) <sup>2</sup>	30/30	15	15
Power Supply Conduit Hole Dia. (in)	1.125	1.125	1.125
Low-Voltage Conduit Hole Dia. (in)	0.5	0.5	0.5
<b>OPERATING weight (lbs.)</b>			
Operating Weight (lbs)	598	600	600
<b>shipping weight (lbs.)</b>			
Ship Weight (lbs)	644	646	646

<sup>1</sup> Wire size should be determined in accordance with National Electrical Codes. Extensive wire runs will require larger wire sizes.

<sup>2</sup> May use fuses or HACR-type circuit breakers of the same size as noted.

Note: Always check the S&R plate for electrical data on the unit being installed.



Model	DBC0603B000001S	DBC0604B000001S	DBC0607B000001S
<b>Cooling Capacity</b>			
Total BTU/H	57,000	57,000	57,000
SEER / EER	14.0/11.5	14.0/11.5	14.0/11.5
AHRI Reference #	205301408	205301410	205301411
<b>Evaporator MOTOR Coil</b>			
Motor Type	Belt-Drive	Belt-Drive	Belt-Drive
External Static Pressure (ESP)	Standard	Standard	Standard
Wheel Dia. X Width	12x11	12x11	12x11
Indoor Nominal CFM	1640	1640	1640
RPM	1760	1760	1760
Indoor Horsepower	1.00	1.00	1.00
Filter Size (in)	20 X 25 X 2 (2)	20 X 25 X 2 (2)	20 X 25 X 2 (2)
Drain Size (NPT)	¾	¾	¾
R-410A Refrigerant Charge (oz.)	111	111	111
Evaporator Coil Face Area (ft²)	6.4	6.4	6.4
Rows Deep/ Fins per Inch	4 / 16	4 / 16	4 / 16
<b>Belt-Drive Evap Fan Data</b>			
Motor Sheave	1VL40 X 7/8	1VL40 X 7/8	1VL40 X 7/8
Blower Sheave	AK59H	AK59H	AK59H
Belt	AX51	AX51	AX51
<b>Condenser Fan/Coil</b>			
Quantity of Condenser Fan Motors	1	1	1
RPM (High/Low stage)	1122	1122	1122
Outdoor Horsepower	0.33	0.33	0.33
Fan Diameter/ # Fan Blades	22 / 3	22 / 3	22 / 3
Face Area (ft²)	17.1	17.1	17.1
Rows Deep / Fins per Inch	2 / 28	2 / 28	2 / 28
<b>Compressor (all Single-stage)</b>			
Quantity / Type / Stages	1 / Scroll / 1	1 / Scroll / 1	1 / Scroll / 1
Compressor RLA / LRA	15.9 / 110.0	7.05 / 52	5.13 / 39.5
<b>Electrical Data</b>			
Voltage-Phase-Frequency	208/230-3-60	460-3-60	575-3-60
Indoor Blower FLA	3.2	1.5	1.2
Max External Static (In. W.C.)	0.8	0.8	0.8
Outdoor Fan FLA	2	0.85	0.67
Min. Circuit Ampacity <sup>1</sup>	25.1/25.1	11.2	8.28
Max. Overcurrent Protection (A) <sup>2</sup>	40/40	15	15
Power Supply Conduit Hole Dia. (in)	1.125	1.125	1.125
Low-Voltage Conduit Hole Dia. (in)	0.5	0.5	0.5
<b>OPERATING weight (lbs.)</b>			
Operating Weight (lbs)	642	642	642
<b>shipping weight (lbs.)</b>			
Ship Weight (lbs)	688	688	688

<sup>1</sup> Wire size should be determined in accordance with National Electrical Codes. Extensive wire runs will require larger wire sizes.

<sup>2</sup> May use fuses or HACR-type circuit breakers of the same size as noted.

Note: Always check the S&R plate for electrical data on the unit being installed.

### Coil Dimensions

Model	Tons	Fin height in.	Fin length in.
DBC	3	24.25	38.07
	4	24.25	38.07
	5	24.25	38.07

### AHRI Ratings

MODEL	CAPACITY	EER	SEER
DBC036*B	35,000	11.5	14
DBC048*B	46,500	11.5	14
DBC060*B	57,000	11.5	14

### Sound Data

Model	OUTDOOR SOUND (DB) AT 60 HZ								
	A-Weighted	63	125	250	500	1000	2000	4000	8000
036	75	78.5	85.4	74.4	71.8	69.1	65.8	60.9	59.2
048	73	82.5	78.1	71.6	69.5	68.0	66.1	59.5	58.6
060	76	84.4	80.5	76.2	72.9	70.9	67.4	63.8	63.1

**Notes:**

<sup>1</sup> Outdoor sound data is measured in accordance with AHRI standard 270.

<sup>2</sup> Measurements are expressed in terms of sound power. Do not compare these values to sound pressure values because sound pressure depends on specific environment factors which normally do not match individual applications. Sound power values are independent of the environment and therefore more accurate.

<sup>3</sup> A-weighted sound ratings filter out high and very low frequencies, to better approximate the response of "average" human ear. A-weighted measurements for Daikin units are taken in accordance with AHRI standard 270.

		Outdoor Ambient Temperature																								
		65				75				85				95				105				115				
IDB	Airflow	IDWB	59	63	67	71	59	63	67	71	59	63	67	71	59	63	67	71	59	63	67	71	59	63	67	71
70	900	Capacity	35,290	35,793	36,856	-	34,971	35,474	36,538	-	34,041	34,544	35,608	-	32,441	32,944	34,008	-	30,486	30,989	32,053	-	28,701	29,204	30,268	-
		S/T	0.52	0.45	0.32	-	0.53	0.45	0.32	-	0.55	0.48	0.35	-	0.57	0.50	0.37	-	1.00	0.52	0.39	-	1.00	0.57	0.44	-
		Evap dT	21.99	20.06	16.46	-	21.94	20.01	16.41	-	22.21	20.28	16.68	-	21.92	19.99	16.39	-	21.66	19.73	16.13	-	22.87	20.94	17.34	-
		Pr Suc	123	124	127	-	130	132	135	-	137	138	141	-	142	144	147	-	148	149	153	-	155	156	159	-
		Pr Dis	254	255	257	-	294	295	297	-	337	338	339	-	382	383	385	-	431	432	434	-	484	485	486	-
		TotalPower	2,136	2,134	2,129	-	2,393	2,391	2,387	-	2,681	2,679	2,675	-	2,993	2,991	2,986	-	3,341	3,339	3,334	-	3,749	3,747	3,742	-
70	1160	Capacity	36,076	36,579	37,643	-	35,758	36,260	37,324	-	34,828	35,331	36,394	-	33,228	33,731	34,795	-	31,273	31,776	32,839	-	29,488	29,991	31,055	-
		S/T	0.65	0.57	0.44	-	0.66	0.58	0.45	-	0.68	0.61	0.47	-	1.00	0.62	0.49	-	1.00	0.65	0.51	-	1.00	0.70	0.56	-
		Evap dT	19.69	17.76	14.16	-	19.64	17.71	14.11	-	19.91	17.98	14.38	-	19.62	17.69	14.09	-	19.36	17.43	13.83	-	20.57	18.64	15.04	-
		Pr Suc	126	127	131	-	133	135	138	-	140	142	145	-	146	147	150	-	151	153	156	-	158	159	163	-
		Pr Dis	258	259	261	-	298	299	301	-	341	342	344	-	386	387	389	-	435	436	438	-	488	489	491	-
		TotalPower	2,162	2,160	2,156	-	2,420	2,418	2,413	-	2,708	2,706	2,701	-	3,019	3,017	3,013	-	3,367	3,365	3,361	-	3,775	3,773	3,769	-
70	1350	Capacity	36,835	37,337	38,401	-	36,516	37,019	38,082	-	35,586	36,089	37,153	-	33,986	34,489	35,553	-	32,031	32,534	33,598	-	30,246	30,749	31,813	-
		S/T	0.69	0.61	0.48	-	0.69	0.62	0.49	-	0.72	0.64	0.51	-	1.00	0.66	0.53	-	1.00	0.68	0.55	-	1.00	0.73	0.60	-
		Evap dT	18.43	16.50	12.90	-	18.38	16.45	12.85	-	18.65	16.72	13.12	-	18.36	16.43	12.83	-	18.10	16.17	12.57	-	19.31	17.38	13.78	-
		Pr Suc	129	130	133	-	136	138	141	-	143	144	147	-	148	150	153	-	154	155	158	-	161	162	165	-
		Pr Dis	261	262	264	-	301	302	304	-	343	344	346	-	389	390	392	-	438	439	441	-	490	491	493	-
		TotalPower	2,176	2,174	2,170	-	2,434	2,432	2,428	-	2,722	2,720	2,716	-	3,033	3,031	3,027	-	3,381	3,379	3,375	-	3,790	3,788	3,783	-
75	900	Capacity	35,311	35,813	36,877	38,502	34,992	35,495	36,558	38,183	34,062	34,565	35,629	37,253	32,462	32,965	34,029	35,654	30,507	31,010	32,074	33,699	28,722	29,225	30,289	31,914
		S/T	0.65	0.57	0.44	0.30	0.65	0.58	0.45	0.31	1.00	0.60	0.47	0.33	1.00	0.62	0.49	0.35	1.00	0.64	0.51	0.37	1.00	1.00	0.56	0.42
		Evap dT	26.23	24.30	20.70	16.97	26.18	24.25	20.65	16.92	26.45	24.52	20.92	17.19	26.16	24.23	20.63	16.90	25.90	23.97	20.37	16.64	27.11	25.18	21.58	17.85
		Pr Suc	123	124	127	133	130	132	135	140	137	138	141	147	142	144	147	152	148	149	153	158	155	156	159	165
		Pr Dis	254	255	257	261	294	296	297	302	337	338	340	344	382	383	385	390	431	432	434	439	484	485	487	491
		TotalPower	2,134	2,132	2,128	2,147	2,392	2,390	2,385	2,405	2,680	2,678	2,673	2,693	2,991	2,989	2,985	3,004	3,339	3,337	3,332	3,352	3,747	3,745	3,741	3,760
75	1160	Capacity	36,097	36,600	37,664	39,289	35,778	36,281	37,345	38,970	34,848	35,351	36,415	38,040	33,249	33,752	34,815	36,440	31,294	31,796	32,860	34,485	29,509	30,012	31,075	32,700
		S/T	0.77	0.70	0.57	0.43	1.00	0.71	0.57	0.44	1.00	0.73	0.60	0.46	1.00	0.75	0.62	0.48	1.00	0.77	0.64	0.50	1.00	1.00	0.69	0.55
		Evap dT	23.93	22.01	18.40	14.67	23.88	21.95	18.35	14.62	24.15	22.22	18.62	14.89	23.86	21.93	18.33	14.60	23.60	21.67	18.07	14.34	24.81	22.88	19.28	15.55
		Pr Suc	126	127	131	136	133	135	138	143	140	142	145	150	146	147	150	156	151	153	156	161	158	159	163	168
		Pr Dis	258	259	261	266	299	300	301	306	341	342	344	348	386	387	389	394	435	437	438	443	488	489	491	495
		TotalPower	2,160	2,158	2,154	2,174	2,418	2,416	2,412	2,431	2,706	2,704	2,699	2,719	3,017	3,015	3,011	3,031	3,365	3,363	3,359	3,379	3,773	3,771	3,767	3,787
75	1350	Capacity	36,855	37,358	38,422	40,047	36,537	37,040	38,103	39,728	35,607	36,110	37,173	38,798	34,007	34,510	35,574	37,198	32,052	32,555	33,619	35,243	30,267	30,770	31,834	33,458
		S/T	0.81	0.74	0.61	0.47	1.00	0.75	0.61	0.47	1.00	0.77	0.64	0.50	1.00	0.79	0.66	0.52	1.00	1.00	0.68	0.54	1.00	1.00	0.73	0.59
		Evap dT	22.67	20.74	17.14	13.41	22.62	20.69	17.09	13.36	22.89	20.96	17.36	13.63	22.60	20.67	17.07	13.34	22.34	20.41	16.81	13.08	23.55	21.62	18.02	14.29
		Pr Suc	129	130	133	139	136	138	141	146	143	144	147	153	148	150	153	158	154	155	158	164	161	162	165	171
		Pr Dis	261	262	264	268	301	302	304	309	344	345	347	351	389	390	392	396	438	439	441	446	491	492	494	498
		TotalPower	2,175	2,173	2,168	2,188	2,433	2,431	2,426	2,446	2,720	2,718	2,714	2,734	3,032	3,030	3,025	3,045	3,380	3,378	3,373	3,393	3,788	3,786	3,781	3,801

IDB: Entering Indoor Dry Bulb Temperature  
 High and low pressures are measured at the liquid and suction access fittings.  
 Design Subcooling, 16 - 19 °F @ the liquid access fitting connection ARI 95 test conditions. Design Superheat 8 - 12 °F @ the compressor suction access fitting connection.  
 Shaded area reflects ACCA (TVA) conditions  
 kW = Total system power  
 Amps: Unit amps (comp.+ evaporator + condenser fan motors)

IDB	Airflow	ID WB	Outdoor Ambient Temperature																							
			65				75				85				95				105				115			
			59	63	67	71	59	63	67	71	59	63	67	71	59	63	67	71	59	63	67	71	59	63	67	71
80	900	Capacity	35,495	35,998	37,062	38,687	35,176	35,679	36,743	38,368	34,246	34,749	35,813	37,438	32,647	33,150	34,213	35,838	30,692	31,195	32,258	33,883	28,907	29,410	30,473	32,098
		S/T	1.00	0.70	0.56	0.42	1.00	0.70	0.57	0.43	1.00	0.73	0.59	0.45	1.00	0.75	0.61	0.47	1.00	1.00	0.63	0.50	1.00	1.00	0.68	0.55
		Evap dT	30.50	28.57	24.97	21.24	30.45	28.52	24.92	21.19	30.72	28.79	25.19	21.46	30.43	28.50	24.90	21.17	30.17	28.24	24.64	20.91	31.38	29.45	25.85	22.12
		Pr Suc	123	125	128	133	131	132	135	141	137	139	142	147	143	144	148	153	148	150	153	158	155	157	160	165
		Pr Dis	255	256	258	262	295	296	298	302	337	338	340	345	383	384	386	390	432	433	435	439	484	485	487	492
	TotalPower	2,135	2,133	2,129	2,149	2,393	2,391	2,387	2,406	2,681	2,679	2,674	2,694	2,992	2,990	2,986	3,006	3,340	3,338	3,334	3,354	3,748	3,746	3,742	3,762	
	Capacity	36,281	36,784	37,848	39,473	35,963	36,466	37,529	39,154	35,033	35,536	36,600	38,224	33,433	33,936	35,000	36,625	31,478	31,981	33,045	34,670	29,693	30,196	31,260	32,885	
	S/T	1.00	0.82	0.69	0.55	1.00	0.83	0.70	0.56	1.00	0.85	0.72	0.58	1.00	1.00	0.74	0.60	1.00	1.00	0.76	0.62	1.00	1.00	0.81	0.67	
	Evap dT	28.20	26.28	22.67	18.94	28.15	26.22	22.62	18.89	28.42	26.49	22.89	19.16	28.13	26.20	22.60	18.87	27.87	25.95	22.34	18.61	29.08	27.15	23.55	19.82	
	Pr Suc	126	128	131	136	134	135	139	144	141	142	145	151	146	148	151	156	152	153	156	162	158	160	163	168	
Pr Dis	259	260	262	266	299	300	302	306	341	342	344	349	387	388	390	394	436	437	439	443	488	489	491	496		
TotalPower	2,162	2,160	2,155	2,175	2,420	2,417	2,413	2,433	2,707	2,705	2,701	2,721	3,019	3,017	3,012	3,032	3,367	3,365	3,360	3,380	3,775	3,773	3,768	3,788		
Capacity	37,040	37,543	38,606	40,231	36,721	37,224	38,288	39,913	35,791	36,294	37,358	38,983	34,191	34,694	35,758	37,383	32,236	32,739	33,803	35,428	30,451	30,954	32,018	33,643		
S/T	1.00	0.86	0.73	0.59	1.00	0.87	0.74	0.60	1.00	0.89	0.76	0.62	1.00	1.00	0.78	0.64	1.00	1.00	0.80	0.66	1.00	1.00	0.85	0.71		
Evap dT	26.94	25.01	21.41	17.68	26.89	24.96	21.36	17.63	27.16	25.23	21.63	17.90	26.87	24.94	21.34	17.61	26.61	24.68	21.08	17.35	27.82	25.89	22.29	18.56		
Pr Suc	129	131	134	139	137	138	141	147	143	145	148	153	149	150	154	159	154	156	159	164	161	163	166	171		
Pr Dis	261	263	264	269	302	303	305	309	344	345	347	351	390	391	393	397	439	440	442	446	491	492	494	498		
TotalPower	2,176	2,174	2,170	2,189	2,434	2,432	2,427	2,447	2,722	2,720	2,715	2,735	3,033	3,031	3,027	3,046	3,381	3,379	3,375	3,394	3,789	3,787	3,783	3,803		
85	900	Capacity	36,095	36,598	37,662	39,287	35,776	36,279	37,343	38,968	34,846	35,349	36,413	38,038	33,247	33,750	34,813	36,438	31,292	31,794	32,858	34,483	29,507	30,010	31,073	32,698
		S/T	1.00	0.79	0.66	0.52	1.00	0.80	0.67	0.53	1.00	1.00	0.69	0.55	1.00	1.00	0.71	0.57	1.00	1.00	0.73	0.59	1.00	1.00	1.00	0.64
		Evap dT	34.29	32.36	28.76	25.03	34.24	32.31	28.70	24.97	34.51	32.58	28.98	25.24	34.22	32.29	28.68	24.95	33.96	32.03	28.43	24.70	35.17	33.24	29.63	25.90
		Pr Suc	125	127	130	135	133	134	137	143	139	141	144	149	145	146	149	155	150	152	155	160	157	159	162	167
		Pr Dis	256	257	259	263	296	297	299	304	338	340	341	346	384	385	387	391	433	434	436	440	485	487	488	493
	TotalPower	2,140	2,138	2,134	2,154	2,398	2,396	2,392	2,411	2,686	2,684	2,679	2,699	2,997	2,995	2,991	3,011	3,345	3,343	3,339	3,358	3,753	3,751	3,747	3,767	
	Capacity	36,881	37,384	38,448	40,073	36,563	37,066	38,129	39,754	35,633	36,136	37,200	38,824	34,033	34,536	35,600	37,225	32,078	32,581	33,645	35,270	30,293	30,796	31,860	33,485	
	S/T	1.00	0.92	0.79	0.65	1.00	1.00	0.80	0.66	1.00	1.00	0.82	0.68	1.00	1.00	0.84	0.70	1.00	1.00	0.86	0.72	1.000	1.000	1.000	0.771	
	Evap dT	31.99	30.06	26.46	22.73	31.94	30.01	26.41	22.68	32.21	30.28	26.68	22.95	31.92	29.99	26.39	22.66	31.66	29.73	26.13	22.40	32.87	30.94	27.34	23.61	
	Pr Suc	128	130	133	138	136	137	141	146	142	144	147	152	148	150	153	158	153	155	158	163	160	162	165	170	
Pr Dis	260	261	263	267	300	301	303	308	342	344	345	350	388	389	391	395	437	438	440	444	490	491	492	497		
TotalPower	2,167	2,165	2,160	2,180	2,424	2,422	2,418	2,438	2,712	2,710	2,706	2,726	3,024	3,022	3,017	3,037	3,372	3,370	3,365	3,385	3,780	3,778	3,773	3,793		
Capacity	37,640	38,143	39,206	40,831	37,321	37,824	38,888	40,513	36,391	36,894	37,958	39,583	34,791	35,294	36,358	37,983	32,836	33,339	34,403	36,028	31,051	31,554	32,618	34,243		
S/T	1.00	0.96	0.83	0.69	1.00	1.00	0.83	0.69	1.00	1.00	0.86	0.72	1.00	1.00	0.88	0.74	1.00	1.00	1.00	0.76	1.00	1.00	1.00	0.81		
Evap dT	30.73	28.80	25.20	21.47	30.68	28.75	25.15	21.42	30.95	29.02	25.42	21.69	30.66	28.73	25.13	21.40	30.40	28.47	24.87	21.14	31.61	29.68	26.08	22.35		
Pr Suc	131	133	136	141	139	140	143	148	145	147	150	155	151	152	155	161	156	158	161	166	163	165	168	173		
Pr Dis	263	264	266	270	303	304	306	310	345	346	348	353	391	392	394	398	440	441	443	447	492	493	495	500		
TotalPower	2,181	2,179	2,175	2,194	2,439	2,437	2,432	2,452	2,727	2,725	2,720	2,740	3,038	3,036	3,032	3,051	3,386	3,384	3,380	3,399	3,794	3,792	3,788	3,807		

kW = Total system power  
 Amps: Unit amps (comp. + evaporator + condenser fan motors)  
 Amperage is measured at the liquid and suction access fittings.

Shaded area reflects AHRI (TVA) conditions  
 High and low pressures are measured at the liquid and suction access fittings.  
 Design Subcooling, 16 - 19 °F @ the liquid access fitting connection ARI 95 test conditions. Design Superheat 8 - 12 °F @ the compressor suction access fitting connection.



		Outdoor Ambient Temperature																							
		65				75				85				95				105				115			
IDB	Airflow	IDWB	Entering Indoor Wet Bulb Temperature																						
			59	63	67	71	59	63	67	71	59	63	67	71	59	63	67	71	59	63	67	71			
1200	Capacity	47,052	47,720	49,133	-	46,628	47,296	48,710	-	45,393	46,061	47,474	-	43,267	43,936	45,349	-	40,670	41,338	42,751	-	38,299	38,967	40,380	-
	S/T	0.56	0.48	0.35	-	0.56	0.49	0.35	-	0.59	0.51	0.38	-	0.61	0.53	0.40	-	1.00	0.55	0.42	-	1.00	0.60	0.47	-
	Evap dT	21.50	19.57	15.97	-	21.45	19.52	15.92	-	21.72	19.79	16.19	-	21.43	19.50	15.90	-	21.17	19.24	15.64	-	22.38	20.45	16.85	-
	Pr Suc	121	123	126	-	129	130	133	-	135	137	140	-	141	142	145	-	146	148	151	-	153	154	158	-
	Pr Dis	257	258	260	-	298	299	301	-	341	342	344	-	387	388	390	-	436	437	439	-	489	490	492	-
TotalPower		2,764	2,761	2,756	-	3,090	3,088	3,082	-	3,455	3,452	3,446	-	3,849	3,846	3,841	-	4,289	4,287	4,281	-	4,806	4,803	4,798	-
70	Capacity	47,930	48,598	50,011	-	47,506	48,175	49,588	-	46,271	46,939	48,352	-	44,146	44,814	46,227	-	41,548	42,216	43,630	-	39,177	39,845	41,258	-
	S/T	0.65	0.58	0.45	-	0.66	0.58	0.45	-	0.68	0.61	0.48	-	1.00	0.63	0.49	-	1.00	0.65	0.52	-	1.00	0.70	0.57	-
	Evap dT	19.69	17.76	14.16	-	19.64	17.71	14.11	-	19.91	17.98	14.38	-	19.62	17.69	14.09	-	19.36	17.43	13.83	-	20.57	18.64	15.04	-
	Pr Suc	124	125	129	-	131	133	136	-	138	139	143	-	143	145	148	-	149	150	153	-	156	157	160	-
	Pr Dis	261	262	263	-	301	302	304	-	344	345	347	-	390	391	393	-	440	441	443	-	493	494	495	-
TotalPower		2,790	2,788	2,782	-	3,117	3,114	3,108	-	3,481	3,478	3,473	-	3,875	3,872	3,867	-	4,315	4,313	4,307	-	4,832	4,830	4,824	-
1800	Capacity	49,377	50,045	51,458	-	48,953	49,621	51,034	-	47,718	48,386	49,799	-	45,592	46,261	47,674	-	42,995	43,663	45,076	-	40,623	41,292	42,705	-
	S/T	0.70	0.62	0.49	-	0.70	0.63	0.49	-	0.73	0.65	0.52	-	1.00	0.67	0.54	-	1.00	0.69	0.56	-	1.00	0.74	0.61	-
	Evap dT	18.01	16.08	12.48	-	17.96	16.03	12.43	-	18.23	16.30	12.70	-	17.94	16.01	12.41	-	17.68	15.75	12.15	-	18.89	16.96	13.36	-
	Pr Suc	128	129	132	-	135	137	140	-	142	143	146	-	147	149	152	-	153	154	157	-	159	161	164	-
	Pr Dis	264	266	267	-	305	306	308	-	348	349	351	-	394	395	397	-	443	445	446	-	496	498	499	-
TotalPower		2,815	2,812	2,806	-	3,141	3,138	3,133	-	3,505	3,503	3,497	-	3,899	3,897	3,891	-	4,340	4,337	4,332	-	4,856	4,854	4,848	-
75	Capacity	47,079	47,747	49,161	51,319	46,656	47,324	48,737	50,896	45,420	46,089	47,502	49,661	43,295	43,963	45,376	47,535	40,698	41,366	42,779	44,938	38,326	38,994	40,408	42,566
	S/T	0.68	0.61	0.47	0.33	0.69	0.61	0.48	0.34	1.00	0.64	0.51	0.37	1.00	0.66	0.52	0.38	1.00	0.68	0.55	0.41	1.00	0.73	0.60	0.46
	Evap dT	25.74	23.81	20.21	16.48	25.69	23.76	20.16	16.43	25.96	24.03	20.43	16.70	25.67	23.74	20.14	16.41	25.41	23.48	19.88	16.15	26.62	24.69	21.09	17.36
	Pr Suc	121	123	126	131	129	130	133	139	135	137	140	145	141	142	145	151	146	148	151	156	153	155	158	163
	Pr Dis	257	259	260	265	298	299	301	306	341	342	344	348	387	388	390	394	437	438	439	444	489	491	492	497
TotalPower		2,762	2,759	2,754	2,779	3,088	3,086	3,080	3,105	3,452	3,450	3,444	3,469	3,847	3,844	3,838	3,863	4,287	4,284	4,279	4,304	4,804	4,801	4,796	4,821
1200	Capacity	47,957	48,626	50,039	52,198	47,534	48,202	49,615	51,774	46,299	46,967	48,380	50,539	44,173	44,841	46,255	48,413	41,576	42,244	43,657	45,816	39,204	39,873	41,286	43,445
	S/T	0.78	0.70	0.57	0.43	0.79	0.71	0.58	0.44	1.00	0.74	0.60	0.46	1.00	0.75	0.62	0.48	1.00	0.78	0.64	0.50	1.00	1.00	0.69	0.55
	Evap dT	23.93	22.01	18.40	14.67	23.88	21.95	18.35	14.62	24.15	22.22	18.62	14.89	23.86	21.93	18.33	14.60	23.60	21.67	18.07	14.34	24.81	22.88	19.28	15.55
	Pr Suc	124	126	129	134	131	133	136	141	138	139	143	148	143	145	148	153	149	150	153	159	156	157	160	165
	Pr Dis	261	262	264	268	302	303	304	309	344	345	347	352	390	391	393	398	440	441	443	447	493	494	496	500
TotalPower		2,788	2,786	2,780	2,805	3,114	3,112	3,106	3,131	3,479	3,476	3,471	3,496	3,873	3,870	3,865	3,890	4,313	4,311	4,305	4,330	4,830	4,827	4,822	4,847
1470	Capacity	49,404	50,072	51,486	53,644	48,981	49,649	51,062	53,221	47,745	48,413	49,827	51,985	45,620	46,288	47,701	49,860	43,022	43,691	45,104	47,263	40,651	41,319	42,732	44,891
	S/T	0.82	0.75	0.62	0.48	1.00	0.75	0.62	0.48	1.00	0.78	0.65	0.51	1.00	0.80	0.67	0.52	1.00	0.82	0.69	0.55	1.00	1.00	0.74	0.60
	Evap dT	22.25	20.33	16.72	12.99	22.20	20.27	16.67	12.94	22.47	20.54	16.94	13.21	22.18	20.25	16.65	12.92	21.92	19.99	16.39	12.66	23.13	21.20	17.60	13.87
	Pr Suc	128	129	132	138	135	137	140	145	142	143	146	152	147	149	152	157	153	154	157	162	159	161	164	169
	Pr Dis	265	266	268	272	305	307	308	313	348	349	351	356	394	395	397	402	444	445	447	451	497	498	500	504
TotalPower		2,812	2,810	2,804	2,829	3,139	3,136	3,131	3,156	3,503	3,500	3,495	3,520	3,897	3,895	3,889	3,914	4,338	4,335	4,329	4,354	4,854	4,852	4,846	4,871

IDB: Entering Indoor Dry Bulb Temperature  
 High and low pressures are measured at the liquid and suction access fittings.  
 Design Subcooling, 16 - 19 °F @ the liquid access fitting connection ARI 95 test conditions. Design Superheat 8 - 12 °F @ the compressor suction access fitting connection.  
 Shaded area reflects ACCA (TVA) conditions  
 kW = Total system power  
 Amps: Unit amps (comp.+ evaporator + condenser fan motors)

IDB	Airflow	ID WB	Outdoor Ambient Temperature																													
			65					75					85					95					105					115				
			59	63	67	71	75	59	63	67	71	75	59	63	67	71	75	59	63	67	71	75	59	63	67	71	75	59	63	67	71	75
		Capacity	47,324	47,993	49,406	51,564	46,901	47,569	48,982	51,141	45,666	46,334	47,747	49,906	43,540	44,208	45,622	47,780	40,943	41,611	43,024	45,183	38,571	39,239	40,653	42,811						
		S/T	0.81	0.73	0.60	0.46	1.00	0.74	0.60	0.46	1.00	0.76	0.63	0.49	1.00	0.78	0.65	0.51	1.00	1.00	0.67	0.53	1.00	1.00	0.72	0.58						
	1200	Evap dT	30.01	28.08	24.48	20.75	29.96	28.03	24.43	20.70	30.23	28.30	24.70	20.97	29.94	28.01	24.41	20.68	29.68	27.75	24.15	20.42	30.89	28.96	25.36	21.63						
		Pr Suc	122	123	127	132	129	131	134	139	136	137	140	146	141	143	146	151	147	148	151	157	154	155	158	163						
		Pr Dis	258	259	261	265	299	300	302	306	341	343	344	349	387	389	390	395	437	438	440	444	490	491	493	497						
		TotalPower	2,764	2,761	2,755	2,780	3,090	3,087	3,082	3,107	3,454	3,452	3,446	3,471	3,848	3,846	3,840	3,865	4,289	4,286	4,281	4,306	4,805	4,803	4,797	4,822						
		Capacity	48,203	48,871	50,284	52,443	47,779	48,447	49,860	52,019	46,544	47,212	48,625	50,784	44,418	45,086	46,500	48,658	41,821	42,489	43,902	46,061	39,449	40,118	41,531	43,690						
	80	S/T	1.00	0.83	0.69	0.55	1.00	0.83	0.70	0.56	1.00	0.86	0.73	0.59	1.00	1.00	0.74	0.60	1.00	1.00	0.77	0.63	1.00	1.00	0.82	0.68						
		Evap dT	28.20	26.28	22.67	18.94	28.15	26.22	22.62	18.89	28.42	26.49	22.89	19.16	28.13	26.20	22.60	18.87	27.87	25.95	22.34	18.61	29.08	27.15	23.55	19.82						
		Pr Suc	125	126	129	134	132	133	137	142	138	140	143	148	144	145	149	154	149	151	154	159	156	158	161	166						
		Pr Dis	261	262	264	269	302	303	305	309	345	346	348	352	391	392	394	398	440	441	443	448	493	494	496	501						
		TotalPower	2,790	2,787	2,782	2,807	3,116	3,114	3,108	3,133	3,480	3,478	3,472	3,497	3,875	3,872	3,866	3,891	4,315	4,312	4,307	4,332	4,832	4,829	4,824	4,848						
		Capacity	49,649	50,317	51,731	53,889	49,226	49,894	51,307	53,466	47,990	48,659	50,072	52,231	45,865	46,533	47,946	50,105	43,267	43,936	45,349	47,508	40,896	41,564	42,978	45,136						
	1800	S/T	1.00	0.87	0.74	0.60	1.00	0.88	0.74	0.60	1.00	0.90	0.77	0.63	1.00	1.00	0.79	0.65	1.00	1.00	0.81	0.67	1.00	1.00	0.86	0.72						
		Evap dT	26.52	24.60	20.99	17.26	26.47	24.54	20.94	17.21	26.74	24.81	21.21	17.48	26.45	24.52	20.92	17.19	26.19	24.27	20.66	16.93	27.40	25.47	21.87	18.14						
		Pr Suc	128	130	133	138	136	137	140	146	142	144	147	152	148	149	152	158	153	155	158	163	160	161	165	170						
		Pr Dis	265	266	268	273	306	307	309	313	349	350	352	356	395	396	398	402	444	445	447	452	497	498	500	505						
		TotalPower	2,814	2,812	2,806	2,831	3,140	3,138	3,132	3,157	3,505	3,502	3,497	3,521	3,899	3,896	3,891	3,916	4,339	4,337	4,331	4,356	4,856	4,853	4,848	4,873						
		Capacity	48,121	48,790	50,203	52,362	47,698	48,366	49,779	51,938	46,463	47,131	48,544	50,703	44,337	45,005	46,419	48,577	41,740	42,408	43,821	45,980	39,368	40,037	41,450	43,609						
	1200	S/T	1.00	0.83	0.70	0.56	1.00	0.84	0.70	0.56	1.00	0.87	0.73	0.59	1.00	1.00	0.75	0.61	1.00	1.00	0.77	0.63	1.00	1.00	0.86	0.68						
		Evap dT	33.80	31.87	28.27	24.54	33.75	31.82	28.21	24.48	34.02	32.09	28.49	24.75	33.73	31.80	28.20	24.46	33.47	31.54	27.94	24.21	34.68	32.75	29.15	25.41						
		Pr Suc	124	125	128	134	131	133	136	141	138	139	142	148	143	145	148	153	149	150	153	158	155	157	160	165						
		Pr Dis	259	260	262	267	300	301	303	307	343	344	346	350	389	390	392	396	438	439	441	446	491	492	494	499						
		TotalPower	2,770	2,767	2,762	2,787	3,096	3,094	3,088	3,113	3,460	3,458	3,452	3,477	3,855	3,852	3,846	3,871	4,295	4,292	4,287	4,312	4,812	4,809	4,804	4,828						
		Capacity	49,000	49,668	51,081	53,240	48,576	49,244	50,658	52,816	47,341	48,009	49,422	51,581	45,215	45,884	47,297	49,456	42,618	43,286	44,699	46,858	40,247	40,915	42,328	44,487						
	1470	S/T	1.00	0.93	0.79	0.65	1.00	0.93	0.80	0.66	1.00	1.00	0.82	0.68	1.00	1.00	0.84	0.70	1.00	1.00	0.87	0.73	1.000	1.000	0.86	0.776						
		Evap dT	31.99	30.06	26.46	22.73	31.94	30.01	26.41	22.68	32.21	30.28	26.68	22.95	31.92	29.99	26.39	22.66	31.66	29.73	26.13	22.40	32.87	30.94	27.34	23.61						
		Pr Suc	126	128	131	136	134	135	138	144	140	142	145	150	146	147	150	156	151	153	156	161	158	159	163	168						
		Pr Dis	262	264	265	270	303	304	306	311	346	347	349	353	392	393	395	399	442	443	444	449	494	496	497	502						
		TotalPower	2,796	2,794	2,788	2,813	3,122	3,120	3,114	3,139	3,487	3,484	3,479	3,503	3,881	3,878	3,873	3,898	4,321	4,319	4,313	4,338	4,838	4,835	4,830	4,855						
		Capacity	50,446	51,115	52,528	54,686	50,023	50,691	52,104	54,263	48,787	49,456	50,869	53,028	46,662	47,330	48,744	50,902	44,065	44,733	46,146	48,305	41,693	42,361	43,775	45,933						
	1800	S/T	1.00	0.97	0.84	0.70	1.00	1.00	0.84	0.70	1.00	1.00	0.87	0.73	1.00	1.00	0.89	0.75	1.00	1.00	0.87	0.77	1.00	1.00	0.86	0.82						
		Evap dT	30.31	28.38	24.78	21.05	30.26	28.33	24.73	21.00	30.53	28.60	25.00	21.27	30.24	28.31	24.71	20.98	29.98	28.05	24.45	20.72	31.19	29.26	25.66	21.93						
		Pr Suc	130	132	135	140	138	139	142	147	144	146	149	154	150	151	154	159	155	156	160	165	162	163	166	172						
		Pr Dis	266	267	269	274	307	308	310	315	350	351	353	357	396	397	399	403	445	447	448	453	498	499	501	506						
		TotalPower	2,820	2,818	2,812	2,837	3,147	3,144	3,139	3,164	3,511	3,508	3,503	3,528	3,905	3,903	3,897	3,922	4,345	4,343	4,337	4,362	4,862	4,860	4,854	4,879						

kW = Total system power  
Amps: Unit amps (comp. + evaporator + condenser fan motors)  
Amperage at the compressor suction access fitting connection.

Shaded area reflects AHRI (TVA) conditions

IDB: Entering Indoor Dry Bulb Temperature  
High and low pressures are measured at the liquid and suction access fittings.  
Design Subcooling, 16 - 19 °F @ the liquid access fitting connection ARI 95 test conditions. Design Superheat 8 - 12 °F @ the compressor suction access fitting connection.

		Outdoor Ambient Temperature																								
		75				85				95				105				115								
IDB	Airflow	Entering Indoor Wet Bulb Temperature																								
		59	63	67	71	59	63	67	71	59	63	67	71	59	63	67	71	59	63	67	71					
70	1500	Capacity	58,218	59,037	60,769	-	56,185	57,004	58,736	-	53,579	54,398	56,131	-	50,395	51,214	52,947	-	47,488	48,308	50,040	-				
		S/T	0.60	0.53	0.40	-	0.63	0.56	0.43	-	0.65	0.58	0.45	-	1.00	0.60	0.47	-	1.00	0.65	0.52	-				
		Evap dT	20.46	18.53	14.93	-	20.41	18.48	14.88	-	20.68	18.75	15.15	-	20.13	18.20	14.60	-	21.34	19.41	15.81	-				
		Pr Suc	120	121	124	-	127	129	132	-	133	135	138	-	139	140	143	-	144	146	149	-				
		Pr Dis	256	258	259	-	297	298	300	-	339	340	342	-	385	386	387	-	434	435	437	-				
TotalPower	3,522	3,519	3,512	-	3,953	3,949	3,942	-	4,433	4,430	4,423	-	4,953	4,950	4,943	-	5,534	5,531	5,524	-						
70	1640	Capacity	58,753	59,572	61,304	-	56,719	57,538	59,271	-	54,114	54,933	56,665	-	50,930	51,749	53,481	-	48,023	48,842	50,575	-				
		S/T	0.64	0.57	0.44	-	0.67	0.60	0.47	-	0.69	0.62	0.49	-	1.00	0.64	0.51	-	1.00	0.69	0.56	-				
		Evap dT	19.69	17.76	14.16	-	19.64	17.71	14.11	-	19.62	17.69	14.09	-	19.36	17.43	13.83	-	20.57	18.64	15.04	-				
		Pr Suc	121	123	126	-	128	130	133	-	135	136	139	-	140	142	145	-	145	147	150	-				
		Pr Dis	258	259	261	-	298	299	301	-	341	342	343	-	386	387	389	-	435	436	438	-				
TotalPower	3,537	3,534	3,526	-	3,968	3,964	3,957	-	4,448	4,445	4,437	-	4,968	4,965	4,957	-	5,549	5,546	5,538	-						
70	2250	Capacity	62,043	62,862	64,595	-	61,524	62,343	64,075	-	60,010	60,829	62,561	-	57,404	58,223	59,956	-	54,220	55,039	56,772	-				
		S/T	0.67	0.60	0.47	-	0.68	0.61	0.48	-	0.71	0.63	0.50	-	1.00	0.65	0.52	-	1.00	0.72	0.59	-				
		Evap dT	17.05	15.12	11.52	-	17.00	15.07	11.47	-	17.27	15.34	11.74	-	16.98	15.05	11.45	-	16.72	14.79	11.19	-				
		Pr Suc	128	129	132	-	135	136	140	-	141	143	146	-	147	148	151	-	152	153	157	-				
		Pr Dis	264	266	267	-	305	306	308	-	347	348	350	-	393	394	395	-	442	443	445	-				
TotalPower	3,587	3,584	3,576	-	4,018	4,014	4,007	-	4,498	4,495	4,487	-	5,018	5,015	5,008	-	5,599	5,596	5,589	-						
75	1500	Capacity	58,252	59,071	60,803	63,449	57,733	58,552	60,284	62,930	56,218	57,037	58,770	61,416	53,613	54,432	56,165	58,811	50,429	51,248	52,980	55,627	47,522	48,341	50,074	52,720
		S/T	0.73	0.65	0.52	0.39	0.73	0.66	0.53	0.39	1.00	0.68	0.55	0.42	1.00	0.70	0.57	0.44	1.00	0.72	0.59	0.46	1.00	0.77	0.64	0.51
		Evap dT	24.70	22.78	19.17	15.44	24.65	22.72	19.12	15.39	24.92	22.99	19.39	15.66	24.63	22.70	19.10	15.37	24.37	22.44	18.84	15.11	25.58	23.65	20.05	16.32
		Pr Suc	120	121	124	130	127	129	132	137	134	135	138	143	139	140	143	148	144	146	149	154	151	152	155	160
		Pr Dis	257	258	260	264	297	298	300	304	339	340	342	347	385	386	388	392	434	435	437	441	486	487	489	494
TotalPower	3,519	3,516	3,509	3,542	3,950	3,947	3,939	3,972	4,431	4,427	4,420	4,453	4,951	4,947	4,940	4,973	5,532	5,528	5,521	5,554	6,213	6,210	6,203	6,235		
75	1640	Capacity	58,787	59,606	61,338	63,984	58,267	59,087	60,819	63,465	56,753	57,572	59,305	61,951	54,148	54,967	56,699	59,345	50,964	51,783	53,515	56,161	48,057	48,876	50,608	53,255
		S/T	0.76	0.69	0.56	0.42	0.77	0.70	0.57	0.43	1.00	0.72	0.59	0.45	1.00	0.74	0.61	0.47	1.00	0.76	0.63	0.49	1.00	0.81	0.68	0.54
		Evap dT	23.93	22.01	18.40	14.67	23.88	21.95	18.35	14.62	24.15	22.22	18.62	14.89	23.86	21.93	18.33	14.60	23.60	21.67	18.07	14.34	24.81	22.88	19.28	15.55
		Pr Suc	121	123	126	131	128	130	133	138	135	136	139	144	140	142	145	150	145	147	150	155	152	153	157	162
		Pr Dis	258	259	261	265	298	300	301	306	341	342	344	348	386	387	389	394	435	436	438	443	488	489	491	495
TotalPower	3,534	3,531	3,523	3,556	3,965	3,961	3,954	3,987	4,445	4,442	4,435	4,467	4,965	4,962	4,955	4,988	5,546	5,543	5,536	5,569	6,228	6,225	6,217	6,250		
75	2250	Capacity	62,077	62,896	64,628	67,274	61,558	62,377	64,109	66,755	60,043	60,863	62,595	65,241	57,438	58,257	59,990	62,636	54,254	55,073	56,806	59,452	51,347	52,166	53,899	56,545
		S/T	0.80	0.73	0.60	0.46	1.00	0.73	0.60	0.46	1.00	0.76	0.63	0.49	1.00	0.77	0.64	0.51	1.00	0.80	0.67	0.53	1.00	1.00	0.72	0.58
		Evap dT	21.30	19.37	15.76	12.03	21.24	19.31	15.71	11.98	21.51	19.58	15.98	12.25	21.22	19.29	15.69	11.96	20.96	19.04	15.43	11.70	22.17	20.24	16.64	12.91
		Pr Suc	128	129	132	137	135	136	140	145	141	143	146	151	147	148	151	156	152	154	157	162	159	160	163	168
		Pr Dis	265	266	268	272	305	306	308	312	347	348	350	355	393	394	396	400	442	443	445	449	494	495	497	502
TotalPower	3,584	3,581	3,574	3,607	4,015	4,011	4,004	4,037	4,495	4,492	4,485	4,518	5,015	5,012	5,005	5,038	5,597	5,593	5,586	5,619	6,278	6,275	6,267	6,300		

IDB: Entering Indoor Dry Bulb Temperature  
 High and low pressures are measured at the liquid and suction access fittings.  
 Design Subcooling, 16 - 19 °F @ the liquid access fitting connection ARI 95 test conditions. Design Superheat 8 - 12 °F @ the compressor suction access fitting connection.  
 Shaded area reflects ACCA (TVA) conditions  
 kW = Total system power  
 Amps: Unit amps (comp.+ evaporator + condenser fan motors)



		Outdoor Ambient Temperature																							
		65				75				85				95				105				115			
IDB	Airflow	59	63	67	71	59	63	67	71	59	63	67	71	59	63	67	71	59	63	67	71	59	63	67	71
		Entering Indoor Wet Bulb Temperature																							
80	Capacity	58,552	59,371	61,104	63,750	58,033	58,852	60,585	63,231	56,519	57,338	59,070	61,716	53,914	54,733	56,465	59,111	50,729	51,549	53,281	55,927	47,823	48,642	50,374	53,020
	S/T	0.85	0.78	0.65	0.51	1.00	0.78	0.65	0.51	1.00	0.81	0.68	0.54	1.00	0.82	0.69	0.56	1.00	1.00	0.72	0.58	1.00	1.00	0.72	0.58
	Evap dT	28.97	27.05	23.44	19.71	28.92	26.99	23.39	19.66	29.19	27.26	23.66	19.93	28.30	26.97	23.37	19.64	28.64	26.72	23.11	19.38	29.85	27.92	24.32	20.59
	Pr Suc	120	122	125	130	128	129	132	137	134	136	139	144	139	141	144	149	145	146	149	154	151	153	156	161
	Pr Dis	257	258	260	264	297	299	300	305	340	341	343	347	385	386	388	393	434	435	437	442	487	488	490	494
	TotalPower	3,522	3,518	3,511	3,544	3,952	3,949	3,941	3,974	4,433	4,429	4,422	4,455	4,953	4,949	4,942	4,975	5,534	5,531	5,523	5,556	6,216	6,212	6,205	6,238
	Capacity	59,087	59,906	61,638	64,285	58,568	59,387	61,119	63,765	57,054	57,873	59,605	62,251	54,448	55,267	57,000	59,646	51,264	52,083	53,816	56,462	48,357	49,176	50,909	53,555
	S/T	0.89	0.81	0.68	0.54	1.00	0.82	0.69	0.55	1.00	0.84	0.71	0.57	1.00	0.86	0.73	0.59	1.00	1.00	0.75	0.61	1.00	1.00	0.75	0.61
	Evap dT	28.20	26.28	22.67	18.94	28.15	26.22	22.62	18.89	28.42	26.49	22.89	19.16	28.13	26.20	22.60	18.87	27.87	25.95	22.34	18.61	29.08	27.15	23.55	19.82
	Pr Suc	122	123	126	131	129	130	133	139	135	137	140	145	141	142	145	150	146	147	150	156	153	154	157	162
Pr Dis	259	260	261	266	299	300	302	306	341	342	344	349	387	388	390	394	436	437	439	443	488	489	491	496	
TotalPower	3,536	3,533	3,526	3,559	3,967	3,964	3,956	3,989	4,448	4,444	4,437	4,470	4,968	4,964	4,957	4,990	5,549	5,545	5,538	5,571	6,230	6,227	6,220	6,253	
Capacity	62,377	63,196	64,929	67,575	61,858	62,677	64,410	67,056	60,344	61,163	62,895	65,541	57,739	58,558	60,290	62,936	54,555	55,374	57,106	59,752	51,648	52,467	54,199	56,845	
S/T	1.00	0.85	0.72	0.58	1.00	0.85	0.72	0.58	1.00	0.88	0.75	0.61	1.00	1.00	0.76	0.63	1.00	1.00	0.79	0.65	1.00	1.00	0.79	0.65	
Evap dT	25.57	23.64	20.03	16.30	25.51	23.58	19.98	16.25	25.78	23.85	20.25	16.52	25.49	23.56	19.96	16.23	25.24	23.31	19.70	15.97	26.44	24.51	20.91	17.18	
Pr Suc	128	130	133	138	136	137	140	145	142	143	146	151	147	149	152	157	153	154	157	162	159	161	164	169	
Pr Dis	265	266	268	272	305	307	308	313	348	349	351	355	393	394	396	401	442	443	445	450	495	496	498	502	
TotalPower	3,587	3,583	3,576	3,609	4,017	4,014	4,006	4,039	4,498	4,494	4,487	4,520	5,018	5,014	5,007	5,040	5,599	5,595	5,588	5,621	6,280	6,277	6,270	6,303	
85	Capacity	59,529	60,348	62,081	64,727	59,010	59,829	61,562	64,208	57,496	58,315	60,047	62,694	54,891	55,710	57,442	60,088	51,707	52,526	54,258	56,904	48,800	49,619	51,351	53,997
	S/T	1.00	0.87	0.74	0.61	1.00	0.88	0.75	0.61	1.00	0.90	0.77	0.64	1.00	1.00	0.79	0.65	1.00	1.00	0.81	0.68	1.00	1.00	0.86	0.72
	Evap dT	32.76	30.83	27.23	23.50	32.71	30.78	27.18	23.45	32.98	31.05	27.45	23.72	32.69	30.76	27.16	23.43	32.43	30.50	26.90	23.17	33.64	31.71	28.11	24.38
	Pr Suc	122	124	127	132	129	131	134	139	136	137	140	145	141	143	146	151	146	148	151	156	153	155	158	163
	Pr Dis	258	259	261	266	299	300	302	306	341	342	344	348	386	388	389	394	436	437	438	443	488	489	491	495
	TotalPower	3,530	3,527	3,519	3,552	3,960	3,957	3,950	3,983	4,441	4,438	4,430	4,463	4,961	4,958	4,950	4,983	5,542	5,539	5,531	5,564	6,224	6,220	6,213	6,246
	Capacity	60,064	60,883	62,616	65,262	59,545	60,364	62,096	64,743	58,031	58,850	60,582	63,228	55,425	56,244	57,977	60,623	52,241	53,060	54,793	57,439	49,335	50,154	51,886	54,532
	S/T	1.00	0.91	0.78	0.64	1.00	0.92	0.78	0.65	1.00	1.00	0.81	0.67	1.00	1.00	0.83	0.69	1.00	1.00	0.85	0.71	1.00	1.00	0.85	0.71
	Evap dT	31.99	30.06	26.46	22.73	31.94	30.01	26.41	22.68	32.21	30.28	26.68	22.95	31.92	29.99	26.39	22.66	31.66	29.73	26.13	22.40	32.87	30.94	27.34	23.61
	Pr Suc	123	125	128	133	131	132	135	140	137	139	142	147	142	144	147	152	148	149	152	157	154	156	159	164
Pr Dis	260	261	263	267	300	301	303	308	342	344	345	350	388	389	391	395	437	438	440	444	489	490	492	497	
TotalPower	3,545	3,541	3,534	3,567	3,975	3,972	3,964	3,997	4,456	4,452	4,445	4,478	4,976	4,972	4,965	4,998	5,557	5,553	5,546	5,579	6,239	6,235	6,228	6,261	
Capacity	63,354	64,173	65,906	68,552	62,835	63,654	65,387	68,033	61,321	62,140	63,872	66,519	58,716	59,535	61,267	63,913	55,542	56,361	58,093	60,739	52,625	53,444	55,176	57,822	
S/T	1.00	0.94	0.81	0.68	1.00	1.00	0.82	0.68	1.00	1.00	0.84	0.71	1.00	1.00	0.86	0.72	1.00	1.00	0.88	0.75	1.00	1.00	0.88	0.75	
Evap dT	29.35	27.42	23.82	20.09	29.30	27.37	23.77	20.04	29.57	27.64	24.04	20.31	29.28	27.35	23.75	20.02	29.02	27.09	23.49	19.76	30.23	28.30	24.70	20.97	
Pr Suc	130	132	135	140	137	139	142	147	144	145	148	153	149	151	154	159	154	156	159	164	161	162	165	171	
Pr Dis	266	267	269	274	307	308	310	314	349	350	352	356	394	396	397	402	444	445	446	451	496	497	499	503	
TotalPower	3,595	3,591	3,584	3,617	4,025	4,022	4,015	4,048	4,506	4,503	4,495	4,528	5,026	5,023	5,015	5,048	5,607	5,604	5,596	5,629	6,289	6,285	6,278	6,311	

IDB: Entering Indoor Dry Bulb Temperature  
 High and low pressures are measured at the liquid and suction access fittings.  
 Design Subcooling, 16 - 19 °F @ the liquid access fitting connection ARI 95 test conditions. Design Superheat 8 - 12°F @ the compressor suction access fitting connection.

Shaded area reflects AHRI (TVA) conditions  
 kW = Total system power  
 Amps: Unit amps (comp.+ evaporator + condenser fan motors)

## Electrical Heater Data

ELECTRIC HEATERS								
MODEL #	MIN AIRFLOW	MAX AIRFLOW	EH*B*S05	EH*B*S10	EH*B*S15	EH*B*S18	EH*B*S20	EH*B*S30
DBC036*	975	1350	X	X	X			
DBC048*	1300	1800	X	X	X	X	X	
DBC060*	1625	2250	X	X	X	X	X	

## DBC036\*B Standard Belt-Drive Downshot

ESP, In H <sub>2</sub> O	TURNS OPEN																	
	0			1			2			3			4			5		
	CFM	RPM	BHP	CFM	RPM	BHP	CFM	RPM	BHP	CFM	RPM	BHP	CFM	RPM	BHP	CFM	RPM	BHP
0.1	-	-	-	-	-	-	-	-	-	1389	750	0.29	1263	690	0.22	1105	620	0.16
0.2	-	-	-	-	-	-	1436	820	0.35	1278	750	0.26	1137	690	0.20	957	620	0.13
0.3	-	-	-	1478	885	0.42	1330	820	0.33	1155	750	0.24	994	690	0.17	-	-	-
0.4	-	-	-	1376	885	0.39	1213	820	0.30	1015	750	0.21	-	-	-	-	-	-
0.5	1427	950	0.47	1266	885	0.36	1082	820	0.27	-	-	-	-	-	-	-	-	-
0.6	1323	950	0.44	1143	885	0.33	929	820	0.24	-	-	-	-	-	-	-	-	-
0.7	1208	950	0.41	1001	885	0.30	-	-	-	-	-	-	-	-	-	-	-	-
0.8	1077	950	0.37	-	-	-	-	-	-	-	-	-	-	-	-	-	-	-

## DBC036\*C High-Static Belt-Drive Downshot

ESP, In H <sub>2</sub> O	TURNS OPEN																	
	0			1			2			3			4			5		
	CFM	RPM	BHP	CFM	RPM	BHP	CFM	RPM	BHP	CFM	RPM	BHP	CFM	RPM	BHP	CFM	RPM	BHP
0.7	-	-	-	-	-	-	-	-	-	-	-	-	-	-	-	1481	1020	0.57
0.8	-	-	-	-	-	-	-	-	-	-	-	-	-	-	-	1370	1020	0.53
0.9	-	-	-	-	-	-	-	-	-	-	-	-	1434	1080	0.62	1247	1020	0.49
1.0	-	-	-	-	-	-	-	-	-	1493	1140	0.72	1321	1080	0.58	1106	1020	0.45
1.1	-	-	-	-	-	-	-	-	-	1389	1140	0.68	1195	1080	0.54	939	1020	0.40
1.2	-	-	-	-	-	-	1460	1200	0.78	1274	1140	0.63	1049	1080	0.49	-	-	-
1.3	-	-	-	1515	1260	0.89	1356	1200	0.74	1144	1140	0.58	-	-	-	-	-	-
1.4	-	-	-	1421	1260	0.85	1240	1200	0.69	992	1140	0.53	-	-	-	-	-	-
1.5	1482	1320	0.97	1318	1260	0.80	1108	1200	0.64	-	-	-	-	-	-	-	-	-
1.6	1391	1320	0.92	1204	1260	0.75	951	1200	0.58	-	-	-	-	-	-	-	-	-
1.7	1291	1320	0.87	1073	1260	0.70	-	-	-	-	-	-	-	-	-	-	-	-
1.8	1179	1320	0.82	916	1260	0.64	-	-	-	-	-	-	-	-	-	-	-	-

<sup>1</sup>To operate below 0.7" H<sub>2</sub>O external static pressure, motor and blower sheave must be changed to VL34 and AK59 respectively, or equivalents.

## DBC036\*B Standard Belt-Drive Horizontal

ESP, In H <sub>2</sub> O	TURNS OPEN																	
	0			1			2			3			4			5		
	CFM	RPM	BHP	CFM	RPM	BHP	CFM	RPM	BHP	CFM	RPM	BHP	CFM	RPM	BHP	CFM	RPM	BHP
0.1	-	-	-	-	-	-	-	-	-	-	-	-	1386	690	0.25	1209	620	0.17
0.2	-	-	-	-	-	-	-	-	-	1420	750	0.29	1259	690	0.22	1061	620	0.15
0.3	-	-	-	-	-	-	1494	820	0.37	1294	750	0.27	1114	690	0.19	-	-	-
0.4	-	-	-	-	-	-	1373	820	0.34	1152	750	0.24	942	690	0.17	-	-	-
0.5	-	-	-	1436	885	0.41	1238	820	0.31	983	750	0.21	-	-	-	-	-	-
0.6	1505	950	0.50	1309	885	0.38	1081	820	0.27	-	-	-	-	-	-	-	-	-
0.7	1385	950	0.46	1163	885	0.34	-	-	-	-	-	-	-	-	-	-	-	-
0.8	1250	950	0.42	989	885	0.30	-	-	-	-	-	-	-	-	-	-	-	-

## DBC036\*C High-Static Belt-Drive Horizontal

ESP, In H <sub>2</sub> O	TURNS OPEN																	
	0			1			2			3			4			5		
	CFM	RPM	BHP	CFM	RPM	BHP	CFM	RPM	BHP	CFM	RPM	BHP	CFM	RPM	BHP	CFM	RPM	BHP
0.8	-	-	-	-	-	-	-	-	-	-	-	-	-	-	-	1539	1020	0.59
0.9	-	-	-	-	-	-	-	-	-	-	-	-	-	-	-	1413	1020	0.54
1.0	-	-	-	-	-	-	-	-	-	-	-	-	1497	1080	0.65	1270	1020	0.50
1.1	-	-	-	-	-	-	-	-	-	-	-	-	1367	1080	0.60	1101	1020	0.45
1.2	-	-	-	-	-	-	-	-	-	1456	1140	0.71	1219	1080	0.55	-	-	-
1.3	-	-	-	-	-	-	-	-	-	1323	1140	0.65	1040	1080	0.49	-	-	-
1.4	-	-	-	-	-	-	1429	1200	0.78	1168	1140	0.60	-	-	-	-	-	-
1.5	-	-	-	1533	1260	0.91	1294	1200	0.72	975	1140	0.53	-	-	-	-	-	-
1.6	-	-	-	1413	1260	0.85	1134	1200	0.66	-	-	-	-	-	-	-	-	-
1.7	1528	1320	1.00	1277	1260	0.79	931	1200	0.59	-	-	-	-	-	-	-	-	-
1.8	1409	1320	0.94	1116	1260	0.73	-	-	-	-	-	-	-	-	-	-	-	-

<sup>1</sup>To operate below 0.6" H<sub>2</sub>O external static pressure, motor and blower sheave must be changed to VL34 and AK59 respectively, or equivalents.



**DBC048\*B Standard Belt-Drive Downshot**

ESP, IN H <sub>2</sub> O	TURNS OPEN																	
	0			1			2			3			4			5		
	CFM	RPM	BHP	CFM	RPM	BHP	CFM	RPM	BHP	CFM	RPM	BHP	CFM	RPM	BHP	CFM	RPM	BHP
0.1	1989	1020	0.77	1874	960	0.64	1751	900	0.53	1641	840	0.43	1526	780	0.34	1454	720	0.29
0.2	1913	1020	0.74	1792	960	0.61	1662	900	0.50	1542	840	0.40	1416	780	0.32	1334	720	0.27
0.3	1834	1020	0.70	1706	960	0.58	1567	900	0.47	1436	840	0.37	1295	780	0.29	1200	720	0.24
0.4	1750	1020	0.67	1614	960	0.55	1465	900	0.43	1319	840	0.34	-	-	-	-	-	-
0.5	1662	1020	0.63	1517	960	0.51	1354	900	0.40	-	-	-	-	-	-	-	-	-
0.6	1568	1020	0.60	1411	960	0.48	1232	900	0.37	-	-	-	-	-	-	-	-	-
0.7	1467	1020	0.56	1295	960	0.44	-	-	-	-	-	-	-	-	-	-	-	-
0.8	1357	1020	0.52	-	-	-	-	-	-	-	-	-	-	-	-	-	-	-

**DBC048\*C High-Static Belt-Drive Downshot**

ESP, IN H <sub>2</sub> O	TURNS OPEN																	
	0			1			2			3			4			5		
	CFM	RPM	BHP	CFM	RPM	BHP	CFM	RPM	BHP	CFM	RPM	BHP	CFM	RPM	BHP	CFM	RPM	BHP
0.6	-	-	-	-	-	-	-	-	-	1996	1200	1.05	1872	1135	0.88	1741	1075	0.74
0.7	-	-	-	-	-	-	-	-	-	1922	1200	1.01	1790	1135	0.84	1650	1075	0.70
0.8	-	-	-	-	-	-	1985	1265	1.17	1845	1200	0.97	1703	1135	0.80	1551	1075	0.66
0.9	-	-	-	-	-	-	1914	1265	1.12	1765	1200	0.93	1611	1135	0.76	1445	1075	0.62
1.0	-	-	-	1939	1325	1.25	1839	1265	1.08	1679	1200	0.89	1513	1135	0.72	1329	1075	0.58
1.1	1978	1390	1.40	1869	1325	1.20	1760	1265	1.04	1588	1200	0.85	1405	1135	0.68	-	-	-
1.2	1914	1390	1.35	1796	1325	1.16	1676	1265	0.99	1490	1200	0.80	1287	1135	0.63	-	-	-
1.3	1847	1390	1.31	1719	1325	1.11	1587	1265	0.94	1383	1200	0.75	-	-	-	-	-	-
1.4	1777	1390	1.26	1638	1325	1.06	1492	1265	0.90	1265	1200	0.71	-	-	-	-	-	-
1.5	1704	1390	1.22	1551	1325	1.02	1388	1265	0.85	-	-	-	-	-	-	-	-	-
1.6	1626	1390	1.17	1458	1325	0.97	1273	1265	0.79	-	-	-	-	-	-	-	-	-
1.7	1544	1390	1.12	1357	1325	0.92	-	-	-	-	-	-	-	-	-	-	-	-
1.8	1455	1390	1.07	1245	1325	0.86	-	-	-	-	-	-	-	-	-	-	-	-

<sup>1</sup>To operate below 0.7" H<sub>2</sub>O external static pressure, motor and blower sheave must be changed to VL34 and AK59 respectively, or equivalents.

**DBC048\*B Standard Belt-Drive Horizontal**

ESP, IN H <sub>2</sub> O	TURNS OPEN																	
	0			1			2			3			4			5		
	CFM	RPM	BHP	CFM	RPM	BHP	CFM	RPM	BHP	CFM	RPM	BHP	CFM	RPM	BHP	CFM	RPM	BHP
0.1	-	-	-	-	-	-	1901	900	0.58	1772	840	0.47	1640	780	0.37	1554	720	0.32
0.2	-	-	-	1943	960	0.67	1810	900	0.55	1672	840	0.44	1529	780	0.34	1435	720	0.29
0.3	1987	1020	0.77	1855	960	0.63	1713	900	0.51	1564	840	0.41	1409	780	0.31	1303	720	0.26
0.4	1902	1020	0.73	1762	960	0.60	1609	900	0.48	1447	840	0.37	1274	780	0.28	-	-	-
0.5	1812	1020	0.69	1663	960	0.56	1497	900	0.44	1317	840	0.34	-	-	-	-	-	-
0.6	1716	1020	0.65	1555	960	0.52	1372	900	0.41	-	-	-	-	-	-	-	-	-
0.7	1614	1020	0.62	1438	960	0.49	1232	900	0.37	-	-	-	-	-	-	-	-	-
0.8	1502	1020	0.57	1307	960	0.45	-	-	-	-	-	-	-	-	-	-	-	-

**DBC048\*C High-Static Belt-Drive Horizontal**

ESP, IN H <sub>2</sub> O	TURNS OPEN																	
	0			1			2			3			4			5		
	CFM	RPM	BHP	CFM	RPM	BHP	CFM	RPM	BHP	CFM	RPM	BHP	CFM	RPM	BHP	CFM	RPM	BHP
0.6	-	-	-	-	-	-	-	-	-	-	-	-	-	-	-	1895	1075	0.81
0.7	-	-	-	-	-	-	-	-	-	-	-	-	1958	1135	0.93	1802	1075	0.76
0.8	-	-	-	-	-	-	-	-	-	-	-	-	1869	1135	0.88	1702	1075	0.72
0.9	-	-	-	-	-	-	-	-	-	1945	1200	1.03	1775	1135	0.84	1595	1075	0.68
1.0	-	-	-	-	-	-	-	-	-	1857	1200	0.98	1675	1135	0.79	1477	1075	0.63
1.1	-	-	-	-	-	-	1953	1265	1.15	1763	1200	0.93	1566	1135	0.74	1346	1075	0.58
1.2	-	-	-	-	-	-	1867	1265	1.10	1663	1200	0.88	1446	1135	0.69	-	-	-
1.3	-	-	-	1950	1325	1.25	1775	1265	1.05	1554	1200	0.83	1310	1135	0.64	-	-	-
1.4	-	-	-	1864	1325	1.20	1677	1265	0.99	1434	1200	0.78	-	-	-	-	-	-
1.5	1974	1390	1.40	1773	1325	1.15	1570	1265	0.94	1298	1200	0.72	-	-	-	-	-	-
1.6	1891	1390	1.34	1675	1325	1.09	1452	1265	0.88	-	-	-	-	-	-	-	-	-
1.7	1802	1390	1.29	1569	1325	1.03	1320	1265	0.82	-	-	-	-	-	-	-	-	-
1.8	1707	1390	1.23	1452	1325	0.97	-	-	-	-	-	-	-	-	-	-	-	-

<sup>1</sup>To operate below 0.6" H<sub>2</sub>O external static pressure, motor and blower sheave must be changed to VL34 and AK59 respectively, or equivalents.

DBC060\*B Standard Belt-Drive Downshot

ESP, IN H <sub>2</sub> O	TURNS OPEN																	
	0			1			2			3			4			5		
	CFM	RPM	BHP	CFM	RPM	BHP	CFM	RPM	BHP	CFM	RPM	BHP	CFM	RPM	BHP	CFM	RPM	BHP
0.1	2193	1110	1.01	2077	1050	0.85	1941	980	0.69	1823	915	0.57	1697	850	0.45	1566	785	0.36
0.2	2124	1110	0.97	2003	1050	0.82	1860	980	0.66	1734	915	0.54	1598	850	0.42	-	-	-
0.3	2053	1110	0.93	1926	1050	0.78	1775	980	0.63	1640	915	0.50	-	-	-	-	-	-
0.4	1978	1110	0.90	1845	1050	0.75	1686	980	0.59	1539	915	0.47	-	-	-	-	-	-
0.5	1901	1110	0.86	1760	1050	0.71	1590	980	0.56	-	-	-	-	-	-	-	-	-
0.6	1819	1110	0.82	1670	1050	0.67	-	-	-	-	-	-	-	-	-	-	-	-
0.7	1733	1110	0.78	1574	1050	0.64	-	-	-	-	-	-	-	-	-	-	-	-
0.8	1642	1110	0.74	-	-	-	-	-	-	-	-	-	-	-	-	-	-	-

DBC060\*C High-Static Belt-Drive Downshot

ESP, IN H <sub>2</sub> O	TURNS OPEN																	
	0			1			2			3			4			5		
	CFM	RPM	BHP	CFM	RPM	BHP	CFM	RPM	BHP	CFM	RPM	BHP	CFM	RPM	BHP	CFM	RPM	BHP
0.6	-	-	-	-	-	-	-	-	-	-	-	-	2237	1245	1.27	2072	1175	1.03
0.7	-	-	-	-	-	-	-	-	-	2333	1315	1.48	2164	1245	1.23	1990	1175	0.99
0.8	-	-	-	-	-	-	-	-	-	2264	1315	1.43	2088	1245	1.18	1905	1175	0.95
0.9	-	-	-	-	-	-	-	-	-	2192	1315	1.39	2008	1245	1.14	1815	1175	0.90
1.0	-	-	-	-	-	-	-	-	-	2117	1315	1.34	1924	1245	1.09	1719	1175	0.86
1.1	-	-	-	-	-	-	-	-	-	2039	1315	1.29	1835	1245	1.05	1617	1175	0.81
1.2	-	-	-	-	-	-	2147	1385	1.51	1957	1315	1.24	1742	1245	1.00	1506	1175	0.77
1.3	-	-	-	-	-	-	2071	1385	1.46	1871	1315	1.19	1641	1245	0.95	-	-	-
1.4	-	-	-	-	-	-	1991	1385	1.41	1779	1315	1.14	1532	1245	0.90	-	-	-
1.5	-	-	-	-	-	-	1907	1385	1.35	1681	1315	1.09	-	-	-	-	-	-
1.6	-	-	-	-	-	-	1819	1385	1.30	1576	1315	1.03	-	-	-	-	-	-
1.7	-	-	-	1917	1455	1.50	1724	1385	1.24	-	-	-	-	-	-	-	-	-
1.8	-	-	-	1834	1455	1.45	1623	1385	1.18	-	-	-	-	-	-	-	-	-

<sup>1</sup>To operate below 0.7" H<sub>2</sub>O external static pressure, motor and blower sheave must be changed to VL34 and AK59 respectively, or equivalents.

DBC060\*B Standard Belt-Drive Horizontal

ESP, IN H <sub>2</sub> O	TURNS OPEN																	
	0			1			2			3			4			5		
	CFM	RPM	BHP	CFM	RPM	BHP	CFM	RPM	BHP	CFM	RPM	BHP	CFM	RPM	BHP	CFM	RPM	BHP
0.1	-	-	-	2237	1050	0.93	2096	980	0.76	1952	915	0.62	1802	850	0.49	1652	785	0.38
0.2	-	-	-	2162	1050	0.89	2014	980	0.72	1862	915	0.58	1703	850	0.46	1542	785	0.35
0.3	-	-	-	2083	1050	0.85	1928	980	0.69	1767	915	0.55	1597	850	0.43	-	-	-
0.4	2137	1110	0.98	2001	1050	0.82	1837	980	0.65	1666	915	0.51	-	-	-	-	-	-
0.5	2058	1110	0.94	1914	1050	0.78	1740	980	0.61	1556	915	0.48	-	-	-	-	-	-
0.6	1975	1110	0.89	1822	1050	0.74	1636	980	0.58	-	-	-	-	-	-	-	-	-
0.7	1888	1110	0.85	1725	1050	0.70	1523	980	0.54	-	-	-	-	-	-	-	-	-
0.8	1795	1110	0.81	1620	1050	0.65	-	-	-	-	-	-	-	-	-	-	-	-

DBC060\*C High-Static Belt-Drive Horizontal

ESP, IN H <sub>2</sub> O	TURNS OPEN																	
	0			1			2			3			4			5		
	CFM	RPM	BHP	CFM	RPM	BHP	CFM	RPM	BHP	CFM	RPM	BHP	CFM	RPM	BHP	CFM	RPM	BHP
0.6	-	-	-	-	-	-	-	-	-	-	-	-	2394	1245	1.37	2239	1175	1.12
0.7	-	-	-	-	-	-	-	-	-	-	-	-	2320	1245	1.32	2157	1175	1.08
0.8	-	-	-	-	-	-	-	-	-	2407	1315	1.53	2242	1245	1.28	2070	1175	1.03
0.9	-	-	-	-	-	-	-	-	-	2334	1315	1.48	2162	1245	1.23	1979	1175	0.98
1.0	-	-	-	-	-	-	-	-	-	2259	1315	1.43	2077	1245	1.18	1881	1175	0.94
1.1	-	-	-	-	-	-	-	-	-	2181	1315	1.38	1988	1245	1.13	1778	1175	0.89
1.2	-	-	-	-	-	-	-	-	-	2098	1315	1.33	1893	1245	1.08	1665	1175	0.84
1.3	-	-	-	-	-	-	-	-	-	2012	1315	1.27	1792	1245	1.02	1542	1175	0.78
1.4	-	-	-	-	-	-	2120	1385	1.49	1921	1315	1.22	1683	1245	0.97	-	-	-
1.5	-	-	-	-	-	-	2036	1385	1.43	1823	1315	1.16	1564	1245	0.91	-	-	-
1.6	-	-	-	-	-	-	1948	1385	1.38	1718	1315	1.10	-	-	-	-	-	-
1.7	-	-	-	-	-	-	1855	1385	1.32	1604	1315	1.04	-	-	-	-	-	-
1.8	-	-	-	1981	1455	1.55	1755	1385	1.26	-	-	-	-	-	-	-	-	-

<sup>1</sup>To operate below 0.6" H<sub>2</sub>O external static pressure, motor and blower sheave must be changed to VL34 and AK59 respectively, or equivalents.

## Static Pressure

---

3-5 TONS		
DOWNFLOW ECONOMIZER PRESSURE DROP		
Cabinet	CFM	SP in.wg.
3 Ton	900	.03"
	1200	.05"
	1500	.08"
4 Ton	1200	.06"
	1600	.10"
	2000	.14"
5 Ton	1500	.08"
	2000	.14"
	2500	.22"

3-5 TONS		
HORIZONTAL ECONOMIZER PRESSURE DROP		
Cabinet	CFM	SP in.wg.
3 Ton	900	.06"
	1200	.11"
	1500	.16"
4 Ton	1200	.11"
	1600	.19"
	2000	.29"
5 Ton	1500	.18"
	2000	.30"
	2500	.45"

# Electrical Data

Model Number	Electrical Rating	Compressor			Outdoor Fan Motor			Indoor Fan Motor			Optional Electric Heat			Optional Powered Convenience Outlet	Optional Power Exhaust	Power Supply	
		QTY	RLA	LRA	QTY	HP	FLA	TYPE	HP	FLA	PART #	KW*	FLA	FLA	FLA	MCA	MOP
DBC0363B	208/230/3/60	1	10.45	73	1	0.17	0.95	Belt-Drive Standard Static	1	3.4	-	-	-	-	-	17.4/17.4	25/25
											-	-	-	9.6/8.7	-	27.0/26.1	35/35
											-	-	-	-	1.7/1.5	19.1/18.9	25/25
											-	-	-	9.6/8.7	1.7/1.5	28.7/27.6	35/35
											EH*B-3S05	3.76/5.00	10.4/12.0	-	-	17.4/19.3	25/25
														9.6/8.7	-	29.3/30.2	35/35
														-	1.7/1.5	19.4/21.2	25/25
														9.6/8.7	1.7/1.5	31.4/32.0	35/35
											EH*B-3S10	7.51/10.0	20.8/24.1	-	-	30.3/34.3	35/35
														9.6/8.7	-	42.3/45.2	45/50
														-	1.7/1.5	32.4/36.2	35/40
														9.6/8.7	1.7/1.5	44.4/47.1	45/50
											EH*B-3S15	11.3/15.0	31.3/36.1	-	-	43.3/49.4	45/50
														9.6/8.7	-	55.3/60.2	60/70
														-	1.7/1.5	45.5/51.2	50/60
														9.6/8.7	1.7/1.5	57.5/62.1	60/70
DBC0363C	208/230/3/60	1	10.45	73	1	0.17	0.95	Belt-Drive High-Static	1	3.4	-	-	-	-	-	17.4/17.4	25/25
											-	-	-	9.6/8.7	-	27.0/26.1	35/35
											-	-	-	-	1.7/1.5	19.1/18.9	25/25
											-	-	-	9.6/8.7	1.7/1.5	28.7/27.6	35/35
											EH*B-3S05	3.76/5.00	10.4/12.0	-	-	17.4/19.3	25/25
														9.6/8.7	-	29.3/30.2	35/35
														-	1.7/1.5	19.4/21.2	25/25
														9.6/8.7	1.7/1.5	31.4/32.0	35/35
											EH*B-3S10	7.51/10.0	20.8/24.1	-	-	30.3/34.3	35/35
														9.6/8.7	-	42.3/45.2	45/50
														-	1.7/1.5	32.4/36.2	35/40
														9.6/8.7	1.7/1.5	44.4/47.1	45/50
											EH*B-3S15	11.3/15.0	31.3/36.1	-	-	43.3/49.4	45/50
														9.6/8.7	-	55.3/60.2	60/70
														-	1.7/1.5	45.5/51.2	50/60
														9.6/8.7	1.7/1.5	57.5/62.1	60/70
DBC0364B	460/3/60	1	5.77	38	1	0.17	0.48	Belt-Drive Standard Static	1	1.7	-	-	-	-	-	9.39	15
											-	-	-	4.3	-	13.7	15
											-	-	-	-	0.5	9.89	15
											-	-	-	4.3	0.5	14.2	15
											EH*B-4S05	5	6.01	-	-	9.64	15
														4.3	-	15	20
														-	0.5	10.3	15
														4.3	0.5	15.6	20
											EH*B-4S10	10	12	-	-	17.2	20
														4.3	-	22.5	25
														-	0.5	17.8	20
														4.3	0.5	23.2	25
											EH*B-4S15	15	18	-	-	24.7	25
														4.3	-	30.1	35
														-	0.5	25.3	30
														4.3	0.5	30.7	35
DBC0364C	460/3/60	1	5.77	38	1	0.17	0.48	Belt-Drive High-Static	1	1.7	-	-	-	-	-	9.39	15
											-	-	-	4.3	-	13.7	15
											-	-	-	-	0.5	9.89	15
											-	-	-	4.3	0.5	14.2	15
											EH*B-4S05	5	6.01	-	-	9.64	15
														4.3	-	15	20
														-	0.5	10.3	15
														4.3	0.5	15.6	20
											EH*B-4S10	10	12	-	-	17.2	20
														4.3	-	22.5	25
														-	0.5	17.8	20
														4.3	0.5	23.2	25
											EH*B-4S15	15	18	-	-	24.7	25
														4.3	-	30.1	35
														-	0.5	25.3	30
														4.3	0.5	30.7	35



# Electrical Data

Model Number	Electrical Rating	Compressor			Outdoor Fan Motor			Indoor Fan Motor			Optional Electric Heat			Optional Powered Convenience Outlet	Optional Power Exhaust	Power Supply	
		QTY	RLA	LRA	QTY	HP	FLA	TYPE	HP	FLA	PART #	KW*	FLA	FLA	FLA	MCA	MOP
DBC0367B	575/3/60	1	3.78	36.5	1	0.17	0.39	Belt-Drive Standard Static	1.5	2.3	-	-	-	-	-	7.42	15
											-	-	-	3.5	-	10.9	15
											-	-	-	-	0.6	8.02	15
											-	-	-	3.5	0.6	11.5	15
											-	-	-	-	-	8.89	15
											EH*B-7S05	5	4.81	3.5	-	13.3	15
														-	0.6	9.64	15
														3.5	0.6	14	15
											EH*B-7S10	10	9.62	-	-	14.9	15
														3.5	-	19.3	20
														-	0.6	15.7	20
											EH*B-7S15	15	14.4	3.5	0.6	20	25
														-	-	20.9	25
														3.5	-	25.3	30
											-	-	-	-	0.6	21.7	25
-	-	-	3.5	0.6	26	30											
DBC0367C	575/3/60	1	3.78	36.5	1	0.17	0.39	Belt-Drive High-Static	1.5	2.3	-	-	-	-	-	7.42	15
											-	-	-	3.5	-	10.9	15
											-	-	-	-	0.6	8.02	15
											-	-	-	3.5	0.6	11.5	15
											-	-	-	-	-	8.89	15
											EH*B-7S05	5	4.81	3.5	-	13.3	15
														-	0.6	9.64	15
														3.5	0.6	14	15
											EH*B-7S10	10	9.62	-	-	14.9	15
														3.5	-	19.3	20
														-	0.6	15.7	20
											EH*B-7S15	15	14.4	3.5	0.6	20	25
														-	-	20.9	25
														3.5	-	25.3	30
											-	-	-	-	0.6	21.7	25
-	-	-	3.5	0.6	26	30											
DBC0483B	208/230/3/60	1	13.14	83.1	1	0.25	1.4	Belt-Drive Standard Static	1	3.4	-	-	-	-	-	21.2/21.2	30/30
											-	-	-	9.6/8.7	-	30.8/29.9	40/40
											-	-	-	-	1.7/1.5	22.9/22.7	30/30
											-	-	-	9.6/8.7	1.7/1.5	32.5/31.4	40/40
											-	-	-	-	-	21.2/21.2	30/30
											EH*B-3S05	3.76/5.00	10.4/12.0	9.6/8.7	-	30.8/30.2	40/40
														-	1.7/1.5	22.9/22.7	30/30
														9.6/8.7	1.7/1.5	32.5/32.0	40/40
											EH*B-3S10	7.51/10.0	20.8/24.1	-	-	30.3/34.3	35/35
														9.6/8.7	-	42.3/45.2	45/50
														-	1.7/1.5	32.4/36.2	35/40
											EH*B-3S15	11.3/15.0	31.3/36.1	9.6/8.7	1.7/1.5	44.4/47.1	45/50
														-	-	43.3/49.4	45/50
														9.6/8.7	-	55.3/60.2	60/70
											EH*B-3S18	13.5/18.0	37.5/43.3	-	1.7/1.5	45.5/51.2	50/60
														9.6/8.7	1.7/1.5	57.5/62.1	60/70
														-	-	51.2/58.4	60/60
											EH*B-3S20	15.0/19.9	41.5/47.9	9.6/8.7	-	63.2/69.3	70/70
														-	1.7/1.5	53.3/60.3	60/70
														9.6/8.7	1.7/1.5	65.3/71.1	70/80
											-	-	-	-	-	56.1/64.1	60/70
											9.6/8.7	-	68.1/75.0	70/80			
											-	1.7/1.5	58.2/66.0	60/70			
											9.6/8.7	1.7/1.5	70.2/76.8	80/80			

# Electrical Data

Model Number	Electrical Rating	Compressor			Outdoor Fan Motor			Indoor Fan Motor			Optional Electric Heat			Optional Powered Convenience Outlet	Optional Power Exhaust	Power Supply	
		QTY	RLA	LRA	QTY	HP	FLA	TYPE	HP	FLA	PART #	KW*	FLA	FLA	FLA	MCA	MOP
DBC0483C	208/230/3/60	1	13.14	83.1	1	0.25	1.4	Belt-Drive High-Static	1.5	4.8	-	-	-	-	-	22.6/22.6	35/35
											-	-	-	9.6/8.7	-	32.2/31.3	45/40
											-	-	-	-	1.7/1.5	24.3/24.1	35/35
											-	-	-	9.6/8.7	1.7/1.5	33.9/32.8	45/40
											EH*B-3S05	3.76/5.00	10.4/12.0	-	-	22.6/22.6	35/35
														9.6/8.7	-	32.2/31.9	45/40
														-	1.7/1.5	24.3/24.1	35/35
														9.6/8.7	1.7/1.5	33.9/33.8	45/40
														-	-	32.1/36.1	35/40
														-	1.7/1.5	34.2/37.9	35/40
											EH*B-3S10	7.51/10.0	20.8/24.1	9.6/8.7	-	44.1/46.9	45/50
														-	1.7/1.5	34.2/37.9	35/40
														9.6/8.7	1.7/1.5	46.2/48.8	50/50
											EH*B-3S15	11.3/15.0	31.3/36.1	-	-	45.1/51.1	50/60
														9.6/8.7	-	57.1/62.0	60/70
														-	1.7/1.5	47.2/53.0	50/60
														9.6/8.7	1.7/1.5	59.2/63.9	60/70
														-	-	52.9/60.1	60/70
														-	-	64.9/71.0	70/80
											EH*B-3S18	13.5/18.0	37.5/43.3	-	1.7/1.5	55.0/62.0	60/70
														9.6/8.7	1.7/1.5	67.0/72.9	70/80
														-	-	57.9/65.8	60/70
														9.6/8.7	-	69.9/76.7	70/80
											EH*B-3S20	15.0/19.9	41.5/47.9	-	1.7/1.5	60.0/67.7	60/70
-	-	72.0/78.6	80/80														
9.6/8.7	1.7/1.5	-	-														
DBC0484B	460/3/60	1	6.09	41	1	0.25	0.7	Belt-Drive Standard Static	1	1.7	-	-	-	-	10	15	
											-	-	-	4.3	-	14.3	20
											-	-	-	-	0.5	10.5	15
											-	-	-	4.3	0.5	14.8	20
											EH*B-4S05	5	6.01	-	-	10	15
														4.3	-	15	20
														-	0.5	10.5	15
														4.3	0.5	15.6	20
														-	-	17.2	20
														-	-	22.5	25
											EH*B-4S10	10	12	-	0.5	17.8	20
														4.3	0.5	23.2	25
														-	-	24.7	25
											EH*B-4S15	15	18	4.3	-	30.1	35
														-	0.5	25.3	30
														4.3	0.5	30.7	35
											EH*B-4S18	18	21.7	-	-	29.2	30
														4.3	-	34.6	35
														-	0.5	29.8	30
														4.3	0.5	35.2	40
											EH*B-4S20	20	24.1	-	-	32.2	35
														4.3	-	37.6	40
														-	0.5	32.8	35
											-	0.5	38.2	40			
DBC0484C	460/3/60	1	6.09	41	1	0.25	0.7	Belt-Drive High-Static	1.5	2.4	-	-	-	-	10.7	15	
											-	-	-	4.3	-	15	20
											-	-	-	-	0.5	11.2	15
											-	-	-	4.3	0.5	15.5	20
											EH*B-4S05	5	6.01	-	-	10.7	15
														4.3	-	15.9	20
														-	0.5	11.2	15
														4.3	0.5	16.5	20
														-	-	18	20
														4.3	-	23.4	25
											EH*B-4S10	10	12	-	0.5	18.7	20
														4.3	0.5	24	25
														-	-	25.6	30
											EH*B-4S15	15	18	4.3	-	30.9	35
														-	0.5	26.2	30
														4.3	0.5	31.6	35
											EH*B-4S18	18	21.7	-	-	30.1	35
														4.3	-	35.4	40
														-	0.5	30.7	35
														4.3	0.5	36.1	40
											EH*B-4S20	20	24.1	-	-	33.1	35
														4.3	-	38.4	40
														-	0.5	33.7	35
											4.3	0.5	39.1	40			

# Electrical Data

Model Number	Electrical Rating	Compressor			Outdoor Fan Motor			Indoor Fan Motor			Optional Electric Heat			Optional Powered Convenience Outlet		Optional Power Exhaust		Power Supply	
		QTY	RLA	LRA	QTY	HP	FLA	TYPE	HP	FLA	PART #	KW*	FLA	FLA	FLA	MCA	MOP		
DBC0487B	575/3/60	1	4.36	33	1	0.25	0.55	Belt-Drive Standard Static	1.5	2.3	-	-	-	-	-	8.3	15		
											-	-	-	3.5	-	11.8	15		
											-	-	-	-	-	8.9	15		
											-	-	-	3.5	0.6	12.4	15		
											-	-	-	-	-	8.89	15		
											EH*B-7S05	5	4.81	3.5	-	13.3	15		
														-	0.6	9.64	15		
														3.5	0.6	14	15		
											EH*B-7S10	10	9.62	-	-	14.9	15		
														3.5	-	19.3	20		
														-	0.6	15.7	20		
											EH*B-7S15	15	14.4	3.5	0.6	20	25		
														-	-	20.9	25		
														3.5	-	25.3	30		
											EH*B-7S18	18	17.3	-	-	21.7	25		
														3.5	0.6	26	30		
														-	-	24.5	25		
											EH*B-7S20	20	19.2	3.5	-	28.9	30		
														-	0.6	25.3	30		
														3.5	0.6	29.7	30		
											-	-	-	-	-	26.9	30		
											-	-	-	3.5	-	31.3	35		
											-	-	-	-	0.6	27.7	30		
											-	-	-	3.5	0.6	32.1	35		
DBC0487C	575/3/60	1	4.36	33	1	0.25	0.55	Belt-Drive High-Static	1.5	2.3	-	-	-	-	-	8.3	15		
											-	-	-	3.5	-	11.8	15		
											-	-	-	-	-	8.9	15		
											-	-	-	3.5	0.6	12.4	15		
											-	-	-	-	-	8.89	15		
											EH*B-7S05	5	4.81	3.5	-	13.3	15		
														-	0.6	9.64	15		
														3.5	0.6	14	15		
											EH*B-7S10	10	9.62	-	-	14.9	15		
														3.5	-	19.3	20		
														-	0.6	15.7	20		
											EH*B-7S15	15	14.4	3.5	0.6	20	25		
														-	-	20.9	25		
														3.5	-	25.3	30		
											EH*B-7S18	18	17.3	-	-	21.7	25		
														3.5	0.6	26	30		
														-	-	24.5	25		
											EH*B-7S20	20	19.2	3.5	-	28.9	30		
														-	0.6	25.3	30		
														3.5	0.6	29.7	30		
											-	-	-	-	-	26.9	30		
											-	-	-	3.5	-	31.3	35		
											-	-	-	-	0.6	27.7	30		
											-	-	-	3.5	0.6	32.1	35		
DBC0603B	208/230/3/60	1	15.90	110	1	0.33	2	Belt-Drive Standard Static	1	3.2	-	-	-	-	-	25.1/25.1	40/40		
											-	-	-	9.6/8.7	-	34.7/33.8	50/45		
											-	-	-	-	1.7/1.5	26.8/26.6	40/40		
											-	-	-	9.6/8.7	1.7/1.5	36.4/35.3	50/45		
											-	-	-	-	-	25.1/25.1	40/40		
											EH*B-3S05	3.76/5.00	10.4/12.0	9.6/8.7	-	34.7/33.8	50/45		
														-	1.7/1.5	26.8/26.6	40/40		
														9.6/8.7	1.7/1.5	36.4/35.3	50/45		
											EH*B-3S10	7.51/10.0	20.8/24.1	-	-	30.1/34.1	40/40		
														9.6/8.7	-	42.1/44.9	50/45		
														-	1.7/1.5	32.2/35.9	40/40		
											EH*B-3S15	11.3/15.0	31.3/36.1	9.6/8.7	1.7/1.5	44.2/46.8	50/50		
														-	-	43.1/49.1	45/50		
														9.6/8.7	1.7/1.5	55.1/60.0	60/60		
											EH*B-3S18	13.5/18.0	37.5/43.3	-	-	45.2/51.0	50/60		
														9.6/8.7	1.7/1.5	57.2/61.9	60/70		
														-	-	50.9/58.1	60/60		
											EH*B-3S20	15.0/19.9	41.5/47.9	9.6/8.7	-	62.9/69.0	70/70		
														-	1.7/1.5	53.0/60.0	60/70		
														9.6/8.7	1.7/1.5	65.0/70.9	70/80		
											-	-	-	-	-	55.9/63.8	60/70		
											-	-	-	9.6/8.7	-	67.9/74.7	70/80		
											-	-	-	-	1.7/1.5	58.0/65.7	60/70		
											-	-	-	9.6/8.7	1.7/1.5	70.0/76.6	70/80		

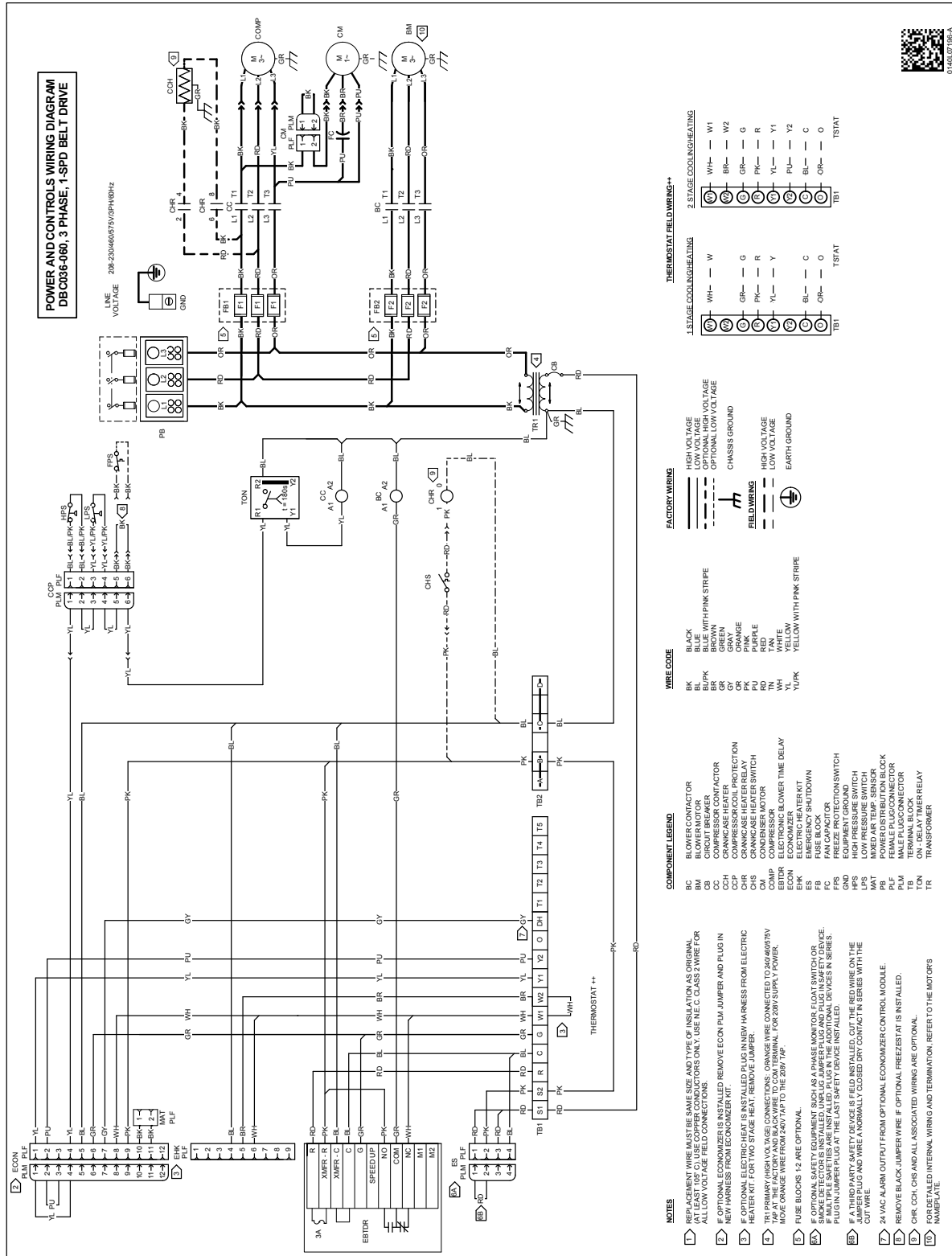
# Electrical Data

Model Number	Electrical Rating	Compressor			Outdoor Fan Motor			Indoor Fan Motor			Optional Electric Heat			Optional Powered Convenience Outlet		Optional Power Exhaust		Power Supply	
		QTY	RLA	LRA	QTY	HP	FLA	TYPE	HP	FLA	PART #	KW*	FLA	FLA	FLA	MCA	MOP		
DBC0603C	208/230/3/60	1	15.90	110	1	0.33	2	Belt-Drive High-Static	1.5	4.8	-	-	-	-	-	26.7/26.7	40/40		
											-	-	-	9.6/8.7	-	36.3/35.4	50/50		
											-	-	-	-	1.7/1.5	28.4/28.2	40/40		
											-	-	-	9.6/8.7	1.7/1.5	38.0/36.9	50/50		
											EH*B-3S05	3.76/5.00	10.4/12.0	-	-	26.7/26.7	40/40		
														9.6/8.7	-	36.3/35.4	50/50		
														-	1.7/1.5	28.4/28.2	40/40		
														9.6/8.7	1.7/1.5	38.0/36.9	50/50		
											EH*B-3S10	7.51/10.0	20.8/24.1	-	-	32.1/36.1	40/40		
														9.6/8.7	-	44.1/46.9	50/50		
														-	1.7/1.5	34.2/37.9	40/40		
														9.6/8.7	1.7/1.5	46.2/48.8	50/50		
											EH*B-3S15	11.3/15.0	31.3/36.1	-	-	45.1/51.1	50/60		
														9.6/8.7	-	57.1/62.0	60/70		
														-	1.7/1.5	47.2/53.0	50/60		
														9.6/8.7	1.7/1.5	59.2/63.9	60/70		
											EH*B-3S18	13.5/18.0	37.5/43.3	-	-	52.9/60.1	60/70		
														9.6/8.7	-	64.9/71.0	70/80		
														-	1.7/1.5	55.0/62.0	60/70		
														9.6/8.7	1.7/1.5	67.0/72.9	70/80		
EH*B-3S20	15.0/19.9	41.5/47.9	-	-	57.9/65.8	60/70													
			9.6/8.7	-	69.9/76.7	70/80													
			-	1.7/1.5	60.0/67.7	60/70													
			9.6/8.7	1.7/1.5	72.0/78.6	80/80													
DBC0604B	460/3/60	1	7.05	52	1	0.33	0.85	Belt-Drive Standard Static	1	1.5	-	-	-	-	-	11.2	15		
											-	-	-	4.3	-	15.5	20		
											-	-	-	-	0.5	11.7	15		
											-	-	-	4.3	0.5	16	20		
											EH*B-4S05	5	6.01	-	-	11.2	15		
														4.3	-	15.5	20		
														-	0.5	11.7	15		
														4.3	0.5	16	20		
											EH*B-4S10	10	12	-	-	16.9	20		
														4.3	-	22.3	25		
														-	0.5	17.5	20		
														4.3	0.5	22.9	25		
											EH*B-4S15	15	18	-	-	24.4	25		
														4.3	-	29.8	30		
														-	0.5	25.1	30		
														4.3	0.5	30.4	35		
											EH*B-4S18	18	21.7	-	-	28.9	30		
														4.3	-	34.3	35		
														-	0.5	29.6	30		
														4.3	0.5	34.9	35		
EH*B-4S20	20	24.1	-	-	31.9	35													
			4.3	-	37.3	40													
			-	0.5	32.6	35													
			4.3	0.5	37.9	40													
DBC0604C	460/3/60	1	7.05	52	1	0.33	0.85	Belt-Drive High-Static	1.5	2.4	-	-	-	-	-	12.1	15		
											-	-	-	4.3	-	16.4	20		
											-	-	-	-	0.5	12.6	15		
											-	-	-	4.3	0.5	16.9	20		
											EH*B-4S05	5	6.01	-	-	12.1	15		
														4.3	-	16.4	20		
														-	0.5	12.6	15		
														4.3	0.5	16.9	20		
											EH*B-4S10	10	12	-	-	18	20		
														4.3	-	23.4	25		
														-	0.5	18.7	20		
														4.3	0.5	24	25		
											EH*B-4S15	15	18	-	-	25.6	30		
														4.3	-	30.9	35		
														-	0.5	26.2	30		
														4.3	0.5	31.6	35		
											EH*B-4S18	18	21.7	-	-	30.1	35		
														4.3	-	35.4	40		
														-	0.5	30.7	35		
														4.3	0.5	36.1	40		
EH*B-4S20	20	24.1	-	-	33.1	35													
			4.3	-	38.4	40													
			-	0.5	33.7	35													
			4.3	0.5	39.1	40													

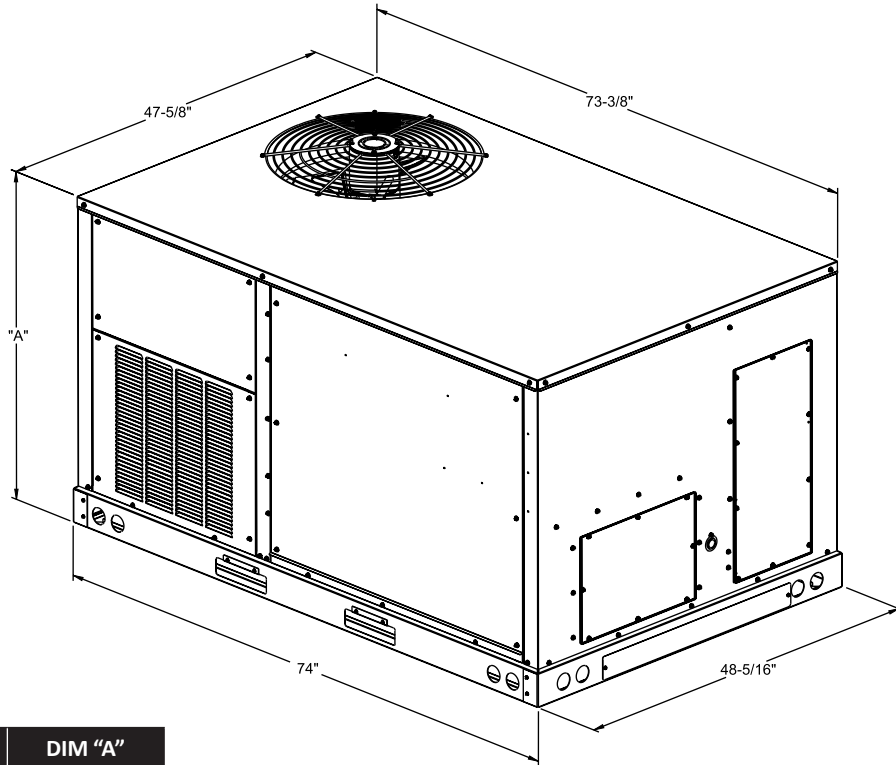


# Electrical Data

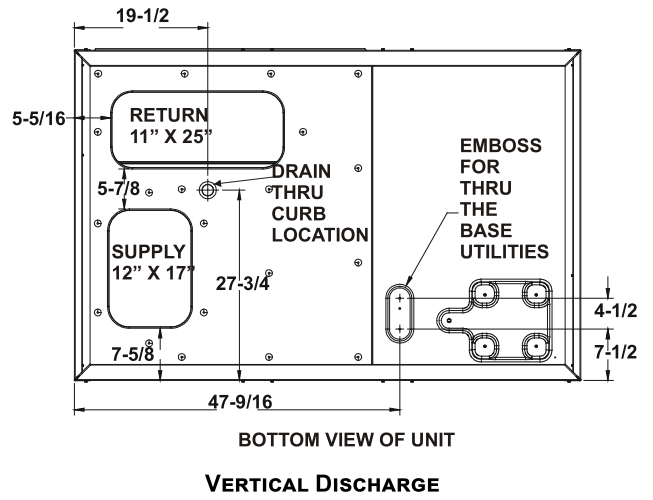
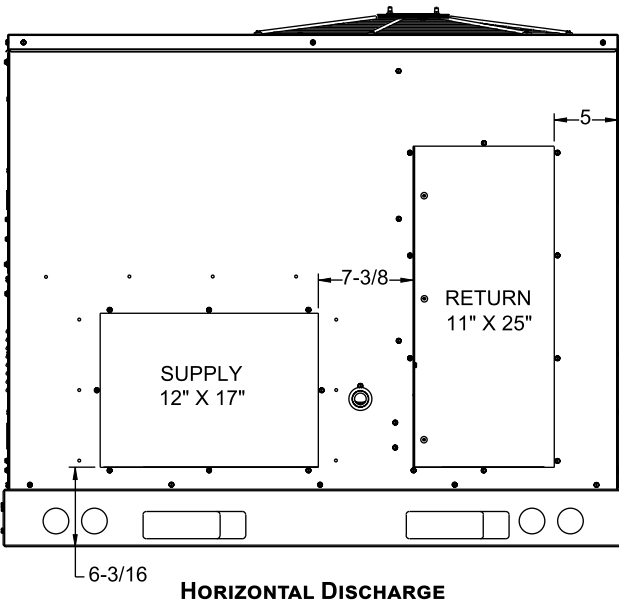
Model Number	Electrical Rating	Compressor			Outdoor Fan Motor			Indoor Fan Motor			Optional Electric Heat			Optional Powered Convenience Outlet		Optional Power Exhaust		Power Supply	
		QTY	RLA	LRA	QTY	HP	FLA	TYPE	HP	FLA	PART #	KW*	FLA	FLA	FLA	MCA	MOP		
DBC0607B	575/3/60	1	5.13	39.5	1	0.33	0.67	Belt-Drive Standard Static	1	1.2	-	-	-	-	-	8.28	15		
											-	-	-	3.5	-	11.8	15		
											-	-	-	-	-	0.6	8.88	15	
											-	-	-	3.5	0.6	12.4	15		
											EH*B-7S05	5	4.81	-	-	8.28	15		
														3.5	-	11.9	15		
														-	0.6	8.88	15		
														3.5	0.6	12.6	15		
														-	-	13.5	15		
														3.5	-	17.9	20		
											EH*B-7S10	10	9.62	-	-	14.3	15		
														-	0.6	18.7	20		
														3.5	0.6	19.5	20		
											EH*B-7S15	15	14.4	3.5	-	23.9	25		
														-	0.6	20.3	25		
														3.5	0.6	24.7	25		
											EH*B-7S18	18	17.3	-	-	23.2	25		
														3.5	-	27.5	30		
														-	0.6	23.9	25		
														3.5	0.6	28.3	30		
EH*B-7S20	20	19.2	-	-	25.6	30													
			3.5	-	29.9	30													
			-	0.6	26.3	30													
			3.5	0.6	30.7	35													
DBC0607C	575/3/60	1	5.13	39.5	1	0.33	0.67	Belt-Drive High-Static	1.5	2.3	-	-	-	-	-	9.38	15		
											-	-	-	3.5	-	12.9	15		
											-	-	-	-	-	0.6	9.98	15	
											-	-	-	3.5	0.6	13.5	15		
											EH*B-7S05	5	4.81	-	-	9.38	15		
														3.5	-	13.3	15		
														-	0.6	9.98	15		
														3.5	0.6	14	15		
											EH*B-7S10	10	9.62	-	-	14.9	15		
														3.5	-	19.3	20		
														-	0.6	15.7	20		
														3.5	0.6	20	25		
											EH*B-7S15	15	14.4	-	-	20.9	25		
														3.5	-	25.3	30		
														-	0.6	21.7	25		
											EH*B-7S18	18	17.3	3.5	0.6	26	30		
														-	-	24.5	25		
														3.5	-	28.9	30		
											EH*B-7S20	20	19.2	-	-	25.3	30		
														3.5	0.6	29.7	30		
-	-	26.9	30																
3.5	-	31.3	35																
			-	-	27.7	30													
			-	0.6	27.7	30													
			3.5	0.6	32.1	35													



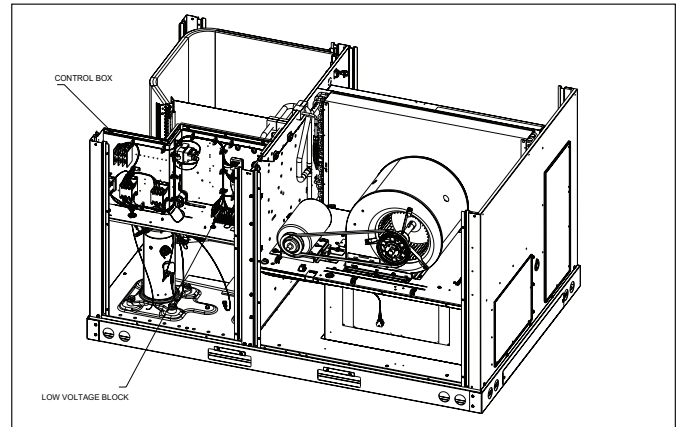
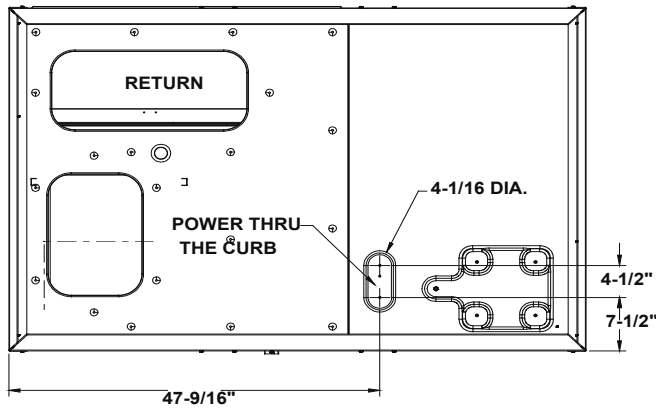
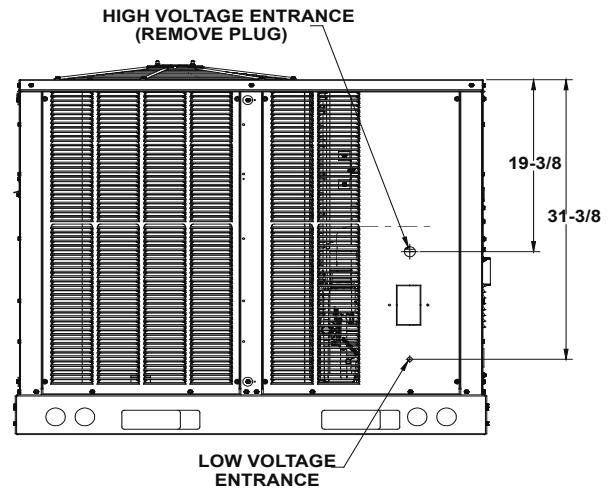
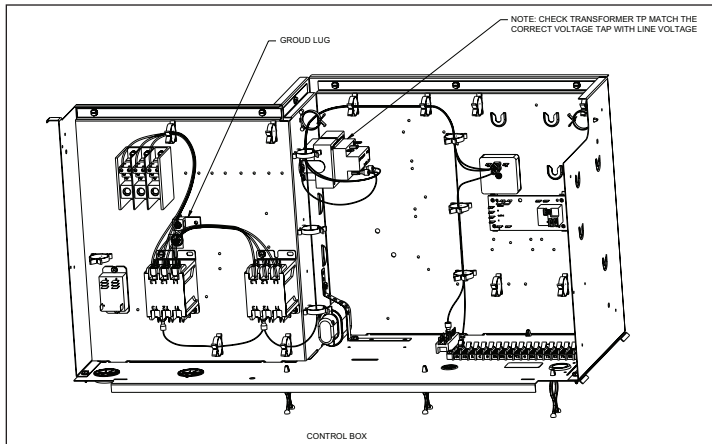
**WARNING** High Voltage: Disconnect all power before servicing or installing this unit. Multiple power sources may be present. Failure to do so may cause property damage, personal injury, or death.



Model Size	DIM "A"
3,4 & 5	39"



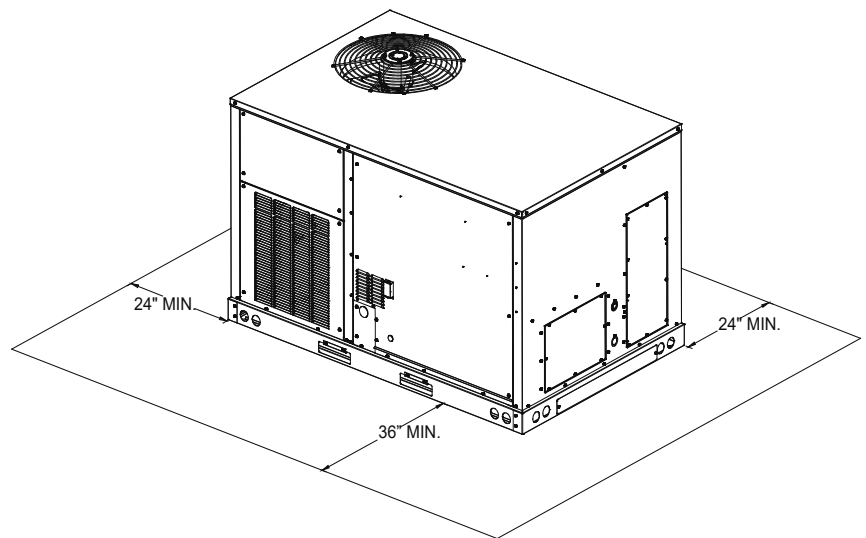
## Electrical Connections



## Unit Clearances

### Service Clearance

Allow for recommended service clearances as shown in figure to the right. In situations that have multiple units, a 36" minimum clearance is required between the condenser coils. A clearance of 48" is recommended on all sides of the unit to allow service access and to ensure proper ventilation and condenser airflow. The top of the unit should be unobstructed. Provide a roof walkway along the sides of the unit for service and access to controls and components. Contact your Daikin sales representative for service requirements less than those recommended.





## Unit Location

The structural engineer must verify that the roof has adequate support and ability to minimize deflection. Take extreme caution when using on a wooden roof structure. Unit condenser coils should be in a location that avoids any heated exhaust air.

Allow sufficient space around the unit for maintenance/service clearance. Consult your Daikin sales representative if available clearances do not meet minimum recommendations.

Where code considerations, such as the NEC, require extended clearances, these take precedence.

Provisions for forks have been included in the unit base frame. No other fork locations are approved.

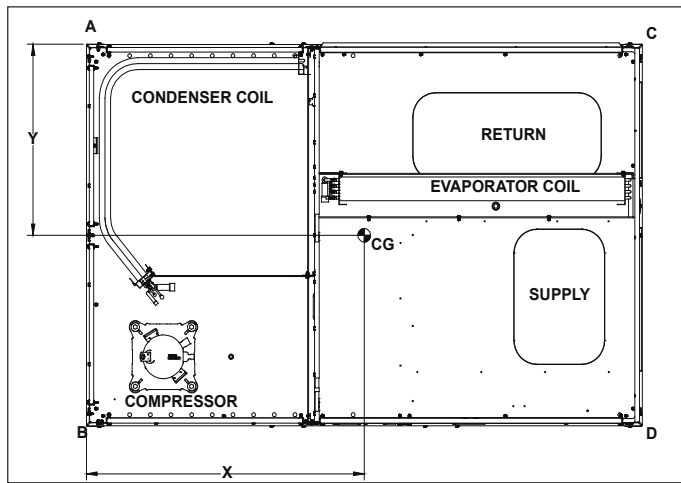
- » Unit must be lifted by the four lifting holes located at the base frame corners.
- » Lifting cables should be attached to the unit with shackles.
- » The distance between the crane hook and the top of the unit must not be less than 60".
- » Two spreader bars must span over the unit to prevent damage to the cabinet by the lift cables. Spreader bars must be of sufficient length so that cables do not come in contact with the unit during transport. Remove wood struts mounted beneath unit base

frame before setting unit on roof curb. These struts are intended to protect unit base frame from forklift damage. To remove the struts, extract the sheet metal retainers and pull the struts through the base of the unit. Refer to rigging label on the unit.

**Important:** If using bottom discharge with roof curb, ductwork should be attached to the curb prior to installing the unit. Refer to the Roof Curb Installation Instructions for proper curb installation. Curbing must be installed in compliance with the National Roofing Contractors Association Manual. Lower unit carefully onto roof mounting curb. While rigging the unit, the center of gravity will cause the condenser end to be lower than the supply air end. Bring condenser end of unit into alignment with the curb. With condenser end of the unit resting on curb member and using curb as a fulcrum, lower opposite end of the unit until entire unit is seated on the curb. When a rectangular cantilever curb is used, take care to center the unit. Check for proper alignment and orientation of supply and return openings with duct.

## Roof Curb Installation

The roof curb is field-assembled and must be installed level (within 1/16" per foot side to side). A sub-base must be constructed by the contractor in applications involving pitched roofs. Gaskets are furnished and must be installed between the unit and curb. For proper installation, follow NRCA guidelines. In applications requiring post and rail installation, an I-beam securely mounted on multiple posts should support the unit on each side. In addition, the insulation on the underside of the unit should be protected from the elements. Applications in geographic areas subjected to seismic or hurricane conditions must meet code requirements for fastening the unit to the curb and the curb to the building structure. For further and more detailed information please refer to our Daikin Light Commercial Packaged unit IOD.



CORNER & CENTER-OF-GRAVITY LOCATIONS

## Weights

Model	Shipping Weight (lbs)	Operating Weight (lbs)	Corner Weights (lbs)				Length X (in)	Width Y (in)
			A	B	C	D		
DBC0363B000001S	619	573	96	207	147	123	34%	27%
DBC0483B000001S	644	598	95	225	150	128	34%	28%
DBC0484B000001S	646	600	105	219	144	132	33 <sup>9</sup> / <sub>10</sub>	28%
DBC0603B000001S	688	642	117	227	136	162	34%	29%

## Accessories

Field Accessory part number	Description	Fits Model Sizes	Field-Installed	Factory-Installed	Operating Weight (lbs)
<b>Electric Heat Kits</b>					
EHXB-3S05	Electric Heater, Belt-Drive, 208-230V, 3PH, 5kW	3-6 ton	√	√	
EHXB-3S10	Electric Heater, Belt-Drive, 208-230V, 3PH, 10kW	3-6 ton	√	√	
EHXB-3S15	Electric Heater, Belt-Drive, 208-230V, 3PH, 15kW	3-6 ton	√	√	
EHXB-3S18	Electric Heater, Belt-Drive, 208-230V, 3PH, 18kW	4-6 ton	√	√	
EHXB-3S20	Electric Heater, Belt-Drive, 208-230V, 3PH, 20kW	4-6 ton	√	√	
EHXB-4S05	Electric Heater, Belt-Drive, 460V, 3PH, 5kW	3-6 ton	√	√	
EHXB-4S10	Electric Heater, Belt-Drive, 460V, 3PH, 10kW	3-6 ton	√	√	
EHXB-4S15	Electric Heater, Belt-Drive, 460V, 3PH, 15kW	3-6 ton	√	√	
EHXB-4S18	Electric Heater, Belt-Drive, 460V, 3PH, 18kW	4-6 ton	√	√	
EHXB-4S20	Electric Heater, Belt-Drive, 460V, 3PH, 20kW	4-6 ton	√	√	
EHXB-7S05	Electric Heater, Belt-Drive, 575V, 3PH, 5kW	3-6 ton	√	√	
EHXB-7S10	Electric Heater, Belt-Drive, 575V, 3PH, 10kW	3-6 ton	√	√	
EHXB-7S15	Electric Heater, Belt-Drive, 575V, 3PH, 15kW	3-6 ton	√	√	
EHXB-7S18	Electric Heater, Belt-Drive, 575V, 3PH, 18kW	4-6 ton	√	√	
EHXB-7S20	Electric Heater, Belt-Drive, 575V, 3PH, 20kW	4-6 ton	√	√	
<b>Duct Smoke Detectors</b>					
	Duct Smoke Detectors- Return	3-6 ton		√	11
	Duct Smoke Detectors- Supply	3-6 ton		√	11
	Duct Smoke Detectors- Supply and Return	3-6 ton		√	11
<b>Non-Fused Disconnect Switch</b>					
	60 Amp Disconnect	3-6 ton		√	5
	100 Amp Disconnect	3-6 ton		√	5
	150 Amp Disconnect	3-6 ton		√	5
<b>Convenience Outlets</b>					
	Convenience Outlets- Powered, 208/230 V	3-6 ton		√	42
	Convenience Outlets- Powered, 460 V	3-6 ton		√	42
	Convenience Outlets- Powered, 575 V	3-6 ton		√	42
	Convenience Outlets- Non-Powered	3-6 ton		√	2
<b>Hinged Access Panels</b>					
	Hinged Access Panels, 39" cabinet	3-5 ton		√	
<b>Economizer</b>					
0270L01163	Horizontal Economizer Ultra Low-Leak (Title 24) JADE® Dry-Bulb, 39" cabinet	3-5 ton	√		88
0270L01759	Horizontal Economizer Ultra Low-Leak (Title 24) JADE Enthalpy Sensor, 39" cabinet	3-5 ton	√		88
0270L01753	Downflow Economizer Standard Low-Leak JADE Ethalpy Sensor	3-6 ton	√	√	65
0270L01755	Downflow Economizer Ultra Low-Leak (Title 24) JADE Ethalpy Sensor	3-6 ton	√	√	65
0270L01156	Downflow Economizer Standard Low-Leak JADE Dry-Bulb	3-6 ton	√	√	65
0270L01158	Downflow Economizer Ultra Low-Leak (Title 24) JADE Dry-Bulb	3-6 ton	√	√	65
<b>Curbs and Restraint Clips</b>					
0221L00014	Roof Curb 14" Tall, Knocked Down	3-6 ton	√		80
0221L00015	Roof Curb 24" Tall, Knocked Down	3-6 ton	√		109
0270L01261	Hold Down Bracket Kit	3-6 ton	√		8
0270L01250	Hold Down Bracket Kit for Daikin Roof curb	3-6 ton	√		8
0221L00019	Roof Curb 14" Tall Seismic with Hold Down Brackets, Knocked Down	3-6 ton	√		102
0221L00020	Roof Curb 14" Tall Wind-Rated Hurricane with Hold Down Brackets, Welded	3-6 ton	√		140

Accessories availability may vary.

## Accessories

Field Accessory part number	Description	Fits Model Sizes	Field-Installed	Factory-Installed	Operating Weight (lbs)
<b>Concentrics</b>					
O270L01602	Concentric Diffuser 24 x 48 with 16" Dia. collars	3-6 ton	√		32
O270L01603	Concentric Diffuser 24 x 48 with 18" Dia. collars	3-6 ton	√		35
O270L01335	Concentric Duct Adaptor Kit for 16" Dia. Duct	3-6 ton	√		28
O270L01338	Concentric Duct Adaptor Kit for 18" Dia. Duct	3-6 ton	√		28
<b>Damper</b>					
O270L01165	2 Position Motorized Damper	3-6 ton	√		40
O270L01166	Manual Outdoor Air Damper	3-6 ton	√		24
<b>Flue Extensions (Gas Only)</b>					
HAILGD036HE	Condenser Coil Hail Guards, 39" cabinet	3-5 ton	√	√	
<b>Hail Guard Kits</b>					
HAILGD036HE	Condenser Coil Hail Guards, 39" cabinet	3-5 ton	√	√	
<b>Crankcase Heater Kits</b>					
HECH36230	Crankcase heater Kit 208/230 V	3 ton	√		1
HECH4860230	Crankcase heater Kit 208/230 V	4-6 ton	√		1
HECH36460	Crankcase heater Kit 460 V	3 ton	√		1
HECH4860460	Crankcase heater Kit 460 V	4-6 ton	√		1
HECH36575	Crankcase heater Kit 575 V	3 ton	√		1
HECH4860575	Crankcase heater Kit 575 V	4-6 ton	√		1
<b>High-Efficiency Filters</b>					
O160L00271	High-Efficiency MERV 8 Air Filter Kit- 20x25x2 (qty 2)	3-5 ton	√		4
O160L00202	High-Efficiency MERV 13 Air Filter Kit- 20x25x2 (qty 2)	3-5 ton	√		4
<b>Misc Accessories</b>					
TTBCKHE01	Through the Base Gas/Electrical	3-6 ton	√	√	1
3PMKP1	Phase Monitor Kit	3-6 ton	√	√	2
O270L01232	Burglar bars Inserts	3-6 ton	√		18
<b>Power Exhaust</b>					
O270L01167	Power Exhaust Prop Downflow Economizer, 230 V	3-6 ton	√		57
O270L01170	Power Exhaust Prop Horizontal Economizer, 230 V	3-6 ton	√		47
O270L01171	Power Exhaust Prop Horizontal Economizer, 460 V	3-6 ton	√		57
O270L01168	Power Exhaust Prop Downflow Economizer, 460 V	3-6 ton	√		47
<b>Controls, Thermostats and Sensors</b>					
DT4272C	Comm Touch Digital Stat w/ Wi-Fi 4h/2c	3-25 ton	√		1
DT4273C	Comm Touch Digital Stat w/ Wi-Fi & Humidity Control 4h/2cc	3-25 ton	√		1
PSPAC-WS	Remote indoor sensor	3-25 ton	√		1
250803400	AppStat™ RTU 2H/2C Econ	3-25 ton	√		1
250803600	AppStat™ HPU 3H/2C Econ (Heat Pump)	3-25 ton	√		1
D4271C	4h/2c Commercial 7day Programmable Wi-Fi Capable thermostat	3-25 ton	√		1
D4272C	4h/2c Commercial 7day Programmable Wi-Fi Capable Hum/dehum thermostat	3-25 ton	√		1
C7232A1024	CO <sub>2</sub> Sensor (Wall Mtd)	3-25 ton	√		1
C7232B1022	CO <sub>2</sub> Sensor (Duct Mtd)	3-25 ton	√		1
D2270C	Mini Wi-Fi Thermostat	3-25 ton	√		1
TSTATD2152-2	Value Series 2h/1c 5+2 prgm (Heat Pump)	3-25 ton	√		1
TSTATD2100-2	Value Series 2h/1c No prgm (Heat Pump)	3-25 ton	√		1
TSTATD1100-2	Value Series 1h/1c No prgm	3-25 ton	√		1
TSTATD1152-2	Value Series 1h/1c 5+2 prgm	3-25 ton	√		1
PSPAC-AW	Add-A-Wire	3-25 ton	√		1
PSPAC-2W	2-Wire Kit	3-25 ton	√		1
PSPAC-OS	Wired Indoor / Outdoor Remote Sensor	3-25 ton	√		1
PSPAC-DS	Wired Duct Sensor	3-25 ton	√		1

## Accessories

Field Accessory part number	Description	Fits Model Sizes	Field-Installed	Factory-Installed	Operating Weight (lbs)
PSPAC-WFMS	Wireless Wi-Fi Mini Sensor	3-25 ton	√		1
PSPAC-LR	Lock Ring for Premium Commercial Thermostats	3-25 ton	√		1
PSPAC-PWF	Wi-Fi Module	3-25 ton	√		1
PSPAC-WP	Wall Plate- Premium & Value Series	3-25 ton	√		1
PSPAC-WPT	Wall Plate Color Touch Screen	3-25 ton	√		1
PSPAC-WPM-S	Wall Plate Premium Mini- Small	3-25 ton	√		1
PSPAC-WPM-M	Wall Plate Premium Mini- Medium	3-25 ton	√		1
PSPAC-WPM-L	Wall Plate Premium Mini- Large	3-25 ton	√		1
C7400S1000	Differential Enthalpy Sensor	3-25 ton	√		1
D4120	Smoke Detector- Duct Mounted	3-25 ton	√		1
D4120W	Smoke Detector- Watertight	3-25 ton	√		1

**Note:** Where multiple variations are available, the heaviest combination is listed.  
Accessories availability may vary.



### Factory Installed Options

- » **Non-Powered Convenience Outlet:** A 120V, 15A, GFCI outlet can be installed in the unit making it easier for technicians to service other units once an electrician runs power to the outlet. Outlet shall be factory-installed and internally mounted with easily accessible 120-v female receptacle. Transformer not included for this option. Outlet shall include a field-installed “While-in-Use” cover.
- » **High-Static Kit:** Allows for operation in higher static applications.
- » **Powered Convenience Outlet:** A 115V, 15A, GFCI outlet can be powered with a step-transformer built into the unit. When a factory-installed powered convenience outlet is installed in the equipment, the unit MCA (Min. Circuit Ampacity) will increase by 9.6A for 208V units; increase by 8.7A for 230V; increase by 4.35A for 460V units; and by 3.5A for 575V units. The MOP (Max. Overcurrent Protection) device must be sized accordingly. Outlet shall be powered from main line power to the rooftop unit. Outlet shall include a field installed “While-in-Use” cover.
- » **Return Air and/or Supply Air Smoke Detectors:** Return air and/or supply air smoke detectors can be installed in the unit. To safely identify the presence of smoke inside the air conditioning system and shutdown the blower to prevent the smoke to disperse into different zones.
- » **Disconnect Switch (non-fused):** A disconnect switch can be installed in the unit with factory wiring complete from the switch to the unit. Please note that for air conditioner and heat pump units, the appropriate electric heat kit must be ordered along with the disconnect switch (non-fused) to be factory-installed. For models with a powered convenience outlet option and a disconnect switch (non-fused) option, the power to the powered convenience outlet will be shut off when the disconnect switch (non-fused) is in the off position. National Electric Code (NEC) and UL approved non-fused switch shall provide unit power shutoff. The switch shall be accessible from outside of the unit and provide local shutdown and lockout capability.
- » **Hinged Access Panels:** Allows access to unit’s major components. Combined with latches for easy access to control box, compressor, filters and blower motor.
- » **Through-the-base electrical connection:** Allows an easy and fast field installation through the unit base pan.
- » **Electromechanical Controls:** Basic controls that include terminal block for unit connectivity to T-Stat.

### Field Installed Options

- » **Manual Fresh Air Damper:** Manual damper package shall consist of damper, air inlet screen, and rain hood which can be preset to admit up to 25% outdoor air for year round ventilation.
- » **Motorized Fresh Air Damper:** A two-position damper with rain hood and screen provides up to 50% outside air when the indoor fan starts and closes when the indoor fan shuts down. Consist of actuator, damper, air inlet screen, and rain hood. Damper shall close upon indoor (evaporator) fan shutoff and/or loss of power. The damper actuator shall plug into the rooftop unit’s wiring harness plug. No hard wiring shall be required.
- » **Power Exhaust:** Power exhaust shall be used in conjunction with an integrated economizer. This accessory exhausts return air and may be used in either downflow or horizontal (duct-mounted) applications. Horizontal power exhaust shall be mounted in return ductwork. Power exhaust shall be controlled by economizer controller operation. Exhaust fans shall be energized when dampers open past the 0-100% adjustable setpoint on the economizer control.
- » **Horizontal Economizer:** Fully modulating between 0 and 100%, contain seals that meet ASHRAE 90.1 requirements. Includes motor and dampers, minimum position settings, preset linkage, wiring harness with plug, mixed air temperature sensor, and enthalpy control. An optional duct-mounted barometric relief damper is available. An optional return enthalpy sensor is available to provide comparative or differential enthalpy control. Damper blades shall be galvanized steel with composite gears. Plastic or composite blades on intake or return shall not be acceptable. Standard leak rate shall be equipped with dampers not to exceed 2% leakage at 1 in. wg pressure differential. Ultra Low Leak design meets California Title 24 section 140.4 and ASHRAE 90.1 requirements for 4 cfm per sq.ft. on the outside air dampers and 10 cfm per sq. ft. on the return dampers. Shall be designed to close damper(s) during loss-of-power situations with spring return built into motor. Economizer controller shall accept a 2-10 Vdc CO<sub>2</sub> sensor input for IAQ/DCV control. In this mode, dampers shall modulate the outdoor air damper to provide ventilation based on the sensor input.
- » Economizer controller shall be Honeywell® JADE® W7220 that provides:
  - 2-line LCD interface screen for setup, configuration and troubleshooting.
  - On-board Fault Detection and Diagnostics (FDD) that senses and alerts when the economizer is not operating properly, per California Title 24.
  - Sensor failure loss of communication identification
  - Automatic sensor detection
  - Capabilities for use with multiple-speed indoor fan systems
  - Utilize digital sensors: Dry bulb and Enthalpy
  - Economizer controller shall provide indications when in free cooling mode, in the DCV mode, or the exhaust fan contact is closed.

- » **Roof curbs:** Full perimeter roof curb with exhaust capability providing separate air streams for energy recovery from the exhaust air without supply air contamination. Two different heights 14" and 24", allows proper installation and structure stability. Formed galvanized steel with wood nailer strip and shall be capable of supporting entire unit weight.
- » **Concentric duct kits:** Designed to provide a single-point air distribution system with the added benefit of having directional air control.
- » **Restraint mounting clips:** Allows for installation reinforcement for Hurricane and/or seismic events.
- » **CO<sub>2</sub> sensor:** Sensor designed to alarm the system when the CO<sub>2</sub> levels are outside safe parameters.
- » **Burglar Bar Sleeves:** Designed to prevent the access thru the return or supply ducting inside the unit.
- » **Downflow square to round adapter 18":** Installed into a recessed portion of the roof curb, the concentric duct adaptor changes the orientation of the ductwork from square to round for applications utilizing that type of ducting system.
- » **Side discharge concentric diffuser system:** The Concentric diffuser system is an all in one supply and return duct free arrangement for RTU systems. This system comes with two separate duct connections, one for a supply and another for a return.
- » **Remote indoor sensor:** Remote sensor to monitor the temperature on zones away from the main thermostat.
- » **Drain pan overflow switch:** Allows the controls to detect and send an alarm when there is an overflow on the drain pan.
- » **Freeze stat:** Temperature sensing device that monitors the heat exchange to prevent the coil from freezing.

## Factory and Field Installed Options

- » **Downflow Economizer:** Fully modulating between 0 and 100%, contain seals that meet ASHRAE 90.1 requirements. Includes motor and dampers, minimum position settings, a preset linkage, a wiring harness with plug, a mixed air temperature sensor, enthalpy control, and a barometric relief damper. An optional return enthalpy sensor is available to provide comparative or differential enthalpy control. Damper blades shall be galvanized steel with composite gears. Plastic or composite blades on intake or return shall not be acceptable. Standard leak rate shall be equipped with dampers not to exceed 2% leakage at 1 in. wg pressure differential. Ultra Low Leak design meets California Title 24 section 140.4 and ASHRAE 90.1 requirements for 4 cfm per sq.ft. on the outside air dampers and 10 cfm per sq. ft. on the return dampers. Shall be designed to close damper(s) during loss-of-power situations with spring return built into motor. Economizer controller shall accept a 2-10 Vdc CO<sub>2</sub> sensor input for IAQ/DCV control. In this mode, dampers shall modulate the outdoor air damper to provide ventilation based on the sensor input. Economizer controller shall be Honeywell® W7220 that provides:
  - » Economizer controller shall be *Honeywell W7220* that provides:
    - 2-line LCD interface screen for setup, configuration and troubleshooting.
    - On-board Fault Detection and Diagnostics (FDD) that senses and alerts when the economizer is not operating properly, per California Title 24.
    - Sensor failure loss of communication identification
    - Automatic sensor detection
    - Capabilities for use with multiple-speed indoor fan systems
    - Utilize digital sensors: Dry bulb and Enthalpy
    - Economizer controller shall provide indications when in free cooling mode, in the DCV mode, or the exhaust fan contact is closed.
  - » **Low Ambient Control:** Allows cooling operation down to 35°F outdoor ambient temperature for 3 - 6 ton units.
  - » **Phase Monitor:** Phase monitor (3-Phase only) shall provide protection for motors and compressors against problems caused by phase loss, phase reversal and phase unbalance. Phase monitor is equipped with an LED that provides an ON or FAULT indicator.
  - » **Condenser Hail Guards:** Louvered metal guards help protect the condenser coil from hail and debris; available as a field-installed options on 3 – 12½ ton units.





