



# DZ14SA

Cooling Capacity: 17,000 - 57,000 BTU/h  
Heating Capacity: 17,000 - 57,000 BTU/h

## SPLIT SYSTEM HEAT PUMP UP TO 15 SEER / R-410A

### ■ Contents

Nomenclature.....	2
Product Specifications.....	3
Expanded Cooling Data .....	4
Expanded Heating Data.....	20
AHRI Ratings .....	22
Wiring Diagram .....	35
Dimensions .....	36
Accessories .....	36



### ■ Standard Features

- R-410A chlorine-free refrigerant
- High-efficiency Copeland® scroll compressor
- Advanced Copeland® CoreSense™ technology
- High density foam compressor sound blanket
- Time-delay technology to ensure quiet reliable defrost
- Factory-installed bi-flow liquid line filter drier
- Factory-installed suction line accumulator
- Factory-installed compressor crankcase heater
- Factory-installed high capacity muffler
- High- and low-pressure switches
- Service valves with sweat connections and easy access to gauge ports
- Copper tube/enhanced aluminum fin coil
- Fully charged for 15' of tubing length
- AHRI Certified; ETL Listed

### ■ Cabinet Features

- Grille-style sound control top design
- Custom Nickel Gray powder-paint finish
- 500-hour salt-spray tested
- Wire fan discharge grille
- Steel louver coil guard
- Rust-resistant screws
- Top and side maintenance access
- Single-panel access to controls with space provided for field-installed accessories
- When properly anchored, meets the 2010 Florida Building Code unit integrity requirements for hurricane-type winds (Anchor bracket kits available.)



\* Complete warranty details available from your local dealer or at [www.daikincomfort.com](http://www.daikincomfort.com). To receive the 6-Year Unit Replacement Limited Warranty and 12-Year Parts Limited Warranty, online registration must be completed within 60 days of installation. Additional requirements for annual maintenance are required for the Unit Replacement Limited Warranty. Online registration and some of the additional requirements are not required in California or Quebec.



# SPECIFICATIONS

	DZ14SA 0181A*	DZ14SA 0241A*	DZ14SA 0301A*	DZ14SA 0361A*	DZ14SA 0381A*	DZ14SA 0421A*	DZ14SA 0481A*	DZ14SA 0601A*
<b>CAPACITIES AND RATINGS</b>								
Nominal Cooling (BTU/h)	18,000	24,000	27,400	33,400	36,000	40,000	45,000	56,500
Nominal Heating (BTU/h)	17,900	23,600	27,400	30,000	36,000	40,000	44,000	57,000
Decibels	70	72	72	74	71	73	74	75
<b>COMPRESSOR</b>								
RLA	9.0	12.8	14.1	14.1	14.1	17.9	19.9	26.4
LRA	48.0	58.3	73.0	77.0	77.0	112.0	109.0	134.0
<b>CONDENSER FAN MOTOR</b>								
Horsepower	1/8	1/6	1/6	1/4	1/6	1/4	1/4	1/4
FLA	0.7	1.1	1.1	1.5	1.0	1.5	1.5	1.5
LRA	1.0	1.5	1.9	3.1	3.1	3.1	3.1	3.1
<b>REFRIGERATION SYSTEM</b>								
Refrigerant Line Size								
Liquid Line Size ("O.D.)	3/8"	3/8"	3/8"	3/8"	3/8"	3/8"	3/8"	3/8"
Suction Line Size ("O.D.)	3/4"	3/4"	3/4"	7/8"	1 1/8"	1 1/8"	1 1/8"	1 1/8"
Refrigerant Connection Size								
Liquid Valve Size ("O.D.)	3/8"	3/8"	3/8"	3/8"	3/8"	3/8"	3/8"	3/8"
Suction Valve Size ("O.D.)	3/4"	3/4"	3/4"	3/4"	7/8"	7/8"	7/8"	7/8"
Valve Connection Type	Sweat	Sweat	Sweat	Sweat	Sweat	Sweat	Sweat	Sweat
Refrigerant Charge	130	150	175	176	201	207	234	255
<b>ELECTRICAL DATA</b>								
Volts-Phase (60 Hz)	208/230-1	208/230-1	208/230-1	208/230-1	208/230-1	208/230-1	208/230-1	208/230-1
Minimum Circuit Ampacity <sup>2</sup>	12.0	17.1	18.7	19.1	18.6	23.9	26.4	34.5
Max. Overcurrent Protection <sup>3</sup>	20	25	30	30	30	40	45	60
Min / Max Volts	197 / 253	197 / 253	197 / 253	197/253	197 / 253	197 / 253	197 / 253	197 / 253
Electrical Conduit Size	1/2" or 3/4"	1/2" or 3/4"	1/2" or 3/4"	1/2" or 3/4"	1/2" or 3/4"	1/2" or 3/4"	1/2" or 3/4"	1/2" or 3/4"
Low Voltage	1/2"	1/2"	1/2"	1/2"	1/2"	1/2"	1/2"	1/2"
<b>EQUIPMENT WEIGHT (LBS)</b>								
	173	183	185	192	223	246	278	292
<b>SHIP WEIGHT (LBS)</b>								
	191	201	203	210	245	268	300	314

<sup>1</sup> Tested and rated in accordance with ARI Standard 210/240

<sup>2</sup> Wire size should be determined in accordance with National Electrical Codes; extensive wire runs will require larger wire sizes

<sup>3</sup> Must use time-delay fuses or HACR-type circuit breakers of the same size as noted.

**NOTES**

- Always check the rating plate for electrical data on the unit being installed.
- Installer will need to supply 3/8" to 1 1/8" adapters for suction line connections.
- Unit is charged with refrigerant for 15' of 3/8" liquid line. System charge must be adjusted per Installation Instructions Final Charge Procedure.
- Installation of these units requires the specified TXV Kit to be installed on the indoor coil.  
THE SPECIFIED TXV IS DETERMINED BY THE OUTDOOR UNIT NOT THE INDOOR COIL.

COOLING DATA — DZ14SA0181A\* / ARPT18B14\*\*

IDB	AIRFLOW	OUTDOOR AMBIENT TEMPERATURE												ENTERING INDOOR WET BULB TEMPERATURE											
		65°F				75°F				85°F				95°F				105°F				115°F			
		59	63	67	71	59	63	67	71	59	63	67	71	59	63	67	71	59	63	67	71	59	63	67	71
70	MBh	16.9	17.5	19.2	-	16.5	17.1	18.7	-	16.1	16.7	18.3	-	15.7	16.3	17.8	-	14.9	15.5	16.9	-	13.8	14.3	15.7	-
	S/T	0.69	0.58	0.40	-	0.72	0.60	0.41	-	0.73	0.61	0.42	-	0.76	0.63	0.44	-	0.79	0.66	0.45	-	0.79	0.66	0.46	-
	ΔT	20	18	13	-	21	18	14	-	21	18	14	-	21	18	14	-	21	18	13	-	19	17	13	-
	kW	1.16	1.18	1.22	-	1.24	1.27	1.31	-	1.32	1.35	1.39	-	1.38	1.41	1.46	-	1.44	1.47	1.51	-	1.49	1.52	1.57	-
	Amps	4.4	4.5	4.7	-	4.8	4.9	5.1	-	5.2	5.3	5.5	-	5.5	5.7	5.9	-	5.9	6.0	6.2	-	6.2	6.4	6.6	-
	Hi PR	205	220	233	-	230	247	261	-	261	281	297	-	298	320	338	-	335	360	380	-	370	398	420	-
	Lo PR	105	111	122	-	111	118	129	-	115	122	134	-	121	129	140	-	127	135	147	-	131	139	152	-
	MBh	17.1	17.7	19.4	-	16.7	17.3	19.0	-	16.3	16.9	18.5	-	15.9	16.5	18.1	-	15.1	15.7	17.2	-	14.0	14.5	15.9	-
	S/T	0.72	0.60	0.41	-	0.74	0.62	0.43	-	0.76	0.64	0.44	-	0.78	0.66	0.45	-	0.81	0.68	0.47	-	0.82	0.69	0.48	-
	ΔT	19	17	13	-	20	17	13	-	20	17	13	-	20	17	13	-	20	17	13	-	18	16	12	-
kW	1.18	1.20	1.24	-	1.26	1.29	1.33	-	1.34	1.36	1.41	-	1.40	1.43	1.48	-	1.46	1.49	1.54	-	1.51	1.54	1.59	-	
Amps	4.5	4.6	4.8	-	4.9	5.0	5.1	-	5.3	5.4	5.6	-	5.6	5.8	5.9	-	6.0	6.1	6.3	-	6.3	6.5	6.7	-	
Hi PR	208	224	237	-	234	251	266	-	266	286	302	-	303	326	344	-	341	366	387	-	376	405	428	-	
Lo PR	107	113	124	-	113	120	131	-	117	125	136	-	123	131	143	-	129	137	150	-	133	142	155	-	
MBh	17.6	18.3	20.0	-	17.2	17.9	19.6	-	16.8	17.4	19.1	-	16.4	17.0	18.6	-	15.6	16.2	17.7	-	14.4	15.0	16.4	-	
S/T	0.75	0.63	0.43	-	0.78	0.65	0.45	-	0.80	0.67	0.46	-	0.82	0.69	0.48	-	0.85	0.71	0.49	-	0.86	0.72	0.50	-	
ΔT	18	16	12	-	18	16	12	-	18	16	12	-	18	16	12	-	18	16	12	-	17	15	11	-	
kW	1.19	1.21	1.24	-	1.27	1.30	1.34	-	1.35	1.37	1.42	-	1.41	1.44	1.49	-	1.47	1.50	1.55	-	1.52	1.55	1.60	-	
Amps	4.5	4.6	4.8	-	4.9	5.0	5.2	-	5.3	5.4	5.6	-	5.7	5.8	6.0	-	6.0	6.2	6.4	-	6.4	6.5	6.8	-	
Hi PR	210	226	239	-	236	254	268	-	268	289	305	-	306	329	347	-	344	370	391	-	380	409	432	-	
Lo PR	108	115	125	-	114	121	132	-	118	126	137	-	124	132	144	-	130	138	151	-	135	143	156	-	
75	MBh	17.2	17.7	19.1	20.5	16.8	17.3	18.7	20.0	16.4	16.8	18.2	19.6	16.0	16.4	17.8	19.1	15.2	15.6	16.9	18.1	14.0	14.5	15.6	16.8
	S/T	0.78	0.70	0.53	0.34	0.81	0.73	0.55	0.35	0.83	0.75	0.56	0.36	0.86	0.77	0.58	0.37	0.89	0.80	0.60	0.39	0.90	0.81	0.61	0.39
	ΔT	24	22	18	12	24	22	18	12	24	22	18	12	24	22	18	12	24	22	18	12	22	20	17	12
	kW	1.17	1.19	1.23	1.27	1.25	1.28	1.32	1.36	1.33	1.36	1.40	1.44	1.39	1.42	1.47	1.51	1.45	1.48	1.53	1.58	1.50	1.53	1.58	1.63
	Amps	4.5	4.6	4.7	4.9	4.8	4.9	5.1	5.3	5.2	5.4	5.5	5.7	5.6	5.7	5.9	6.1	5.9	6.1	6.3	6.5	6.3	6.4	6.7	6.9
	Hi PR	207	223	235	245	232	250	264	275	264	284	300	313	301	323	342	356	338	364	384	401	374	402	425	443
	Lo PR	106	113	123	131	112	119	130	138	116	124	135	144	122	130	142	151	128	136	149	158	132	141	154	164
	MBh	17.4	17.9	19.4	20.8	17.0	17.5	19.0	20.3	16.6	17.1	18.5	19.9	16.2	16.7	18.1	19.4	15.4	15.8	17.2	18.4	14.3	14.7	15.9	17.1
	S/T	0.81	0.73	0.55	0.35	0.84	0.75	0.57	0.37	0.86	0.77	0.59	0.38	0.89	0.80	0.60	0.39	0.93	0.83	0.63	0.40	0.93	0.84	0.63	0.41
	ΔT	22	21	17	12	23	21	17	12	23	21	17	12	23	21	17	12	23	21	17	12	21	19	16	11
kW	1.19	1.21	1.24	1.28	1.27	1.30	1.34	1.38	1.35	1.37	1.42	1.46	1.41	1.44	1.49	1.54	1.47	1.50	1.55	1.60	1.52	1.55	1.60	1.65	
Amps	4.5	4.6	4.8	5.0	4.9	5.0	5.2	5.4	5.3	5.4	5.6	5.8	5.7	5.8	6.0	6.2	6.0	6.2	6.4	6.6	6.4	6.5	6.8	7.0	
Hi PR	210	226	239	249	236	254	268	280	268	289	305	318	306	329	347	362	344	370	391	408	380	409	432	451	
Lo PR	108	115	125	133	114	121	132	141	118	126	137	146	124	132	144	154	130	138	151	161	135	143	156	167	
MBh	17.9	18.5	20.0	21.5	17.5	18.0	19.5	21.0	17.1	17.6	19.1	20.5	16.7	17.2	18.6	20.0	15.9	16.3	17.7	19.0	14.7	15.1	16.4	17.6	
S/T	0.85	0.76	0.58	0.37	0.88	0.79	0.60	0.38	0.91	0.81	0.61	0.39	0.94	0.84	0.63	0.41	0.97	0.87	0.66	0.42	0.98	0.88	0.66	0.43	
ΔT	21	19	16	11	21	19	16	11	21	19	16	11	21	20	16	11	21	19	16	11	20	18	15	10	
kW	1.19	1.22	1.25	1.29	1.28	1.31	1.35	1.39	1.36	1.39	1.43	1.47	1.42	1.45	1.50	1.55	1.48	1.51	1.56	1.61	1.53	1.56	1.61	1.67	
Amps	4.6	4.7	4.8	5.0	4.9	5.1	5.2	5.4	5.4	5.5	5.7	5.9	5.7	5.9	6.1	6.3	6.1	6.2	6.4	6.7	6.4	6.6	6.8	7.1	
Hi PR	212	229	241	252	238	257	271	283	271	292	308	321	309	332	351	366	347	374	395	412	384	413	436	455	
Lo PR	109	116	126	135	115	122	133	142	119	127	139	148	125	133	146	155	131	140	153	163	136	145	158	168	

IDB: Entering Indoor Dry Bulb Temperature  
 High and low pressures are measured at the liquid and suction service valves.  
 Shaded area reflects ACCA (TVA) conditions  
 kW= Total system power  
 Amps = outdoor unit amps (comp.+fan)

COOLING DATA — DZ14SA0181A\* / ARPT18B14\*\* (CONT.)

IDB	AIRFLOW	OUTDOOR AMBIENT TEMPERATURE												ENTERING INDOOR WET BULB TEMPERATURE											
		65°F				75°F				85°F				95°F				105°F				115°F			
		59	63	67	71	59	63	67	71	59	63	67	71	59	63	67	71	59	63	67	71	59	63	67	71
80	MBh	17.5	17.8	19.1	20.4	17.1	17.4	18.6	19.9	16.6	17.0	18.2	19.4	16.2	16.6	17.7	19.0	15.4	15.8	16.8	18.0	15.4	15.8	16.8	18.0
	S/T	0.86	0.81	0.66	0.49	0.89	0.84	0.68	0.51	0.91	0.86	0.70	0.52	0.94	0.89	0.72	0.54	0.98	0.92	0.75	0.56	0.98	0.92	0.75	0.56
	ΔT	26	25	22	18	27	26	22	18	27	26	22	18	27	26	22	18	26	25	22	18	26	25	22	18
	kW	1.18	1.20	1.24	1.28	1.26	1.29	1.33	1.37	1.34	1.37	1.41	1.45	1.41	1.43	1.48	1.53	1.46	1.49	1.54	1.59	1.46	1.49	1.54	1.59
	Amps	4.5	4.6	4.8	4.9	4.9	5.0	5.1	5.3	5.3	5.4	5.6	5.8	5.6	5.8	6.0	6.2	6.0	6.1	6.3	6.6	6.0	6.1	6.3	6.6
	Hi PR	209	225	237	248	234	252	266	278	267	287	303	316	304	327	345	360	342	368	388	405	342	368	388	405
	Lo PR	107	114	124	132	113	120	131	140	117	125	136	145	123	131	143	153	129	137	150	160	129	137	150	160
	MBh	17.7	18.1	19.4	20.7	17.3	17.7	18.9	20.2	16.9	17.3	18.5	19.7	16.5	16.8	18.0	19.2	15.7	16.0	17.1	18.3	15.7	16.0	17.1	18.3
	S/T	0.89	0.84	0.68	0.51	0.92	0.87	0.71	0.53	0.95	0.89	0.72	0.54	0.98	0.92	0.75	0.56	1.00	0.95	0.78	0.58	1.00	0.95	0.78	0.58
	ΔT	25	24	21	17	25	24	21	17	25	24	21	17	26	25	21	17	25	24	21	17	25	24	21	17
kW	1.19	1.22	1.25	1.29	1.28	1.31	1.35	1.39	1.36	1.39	1.43	1.47	1.42	1.45	1.50	1.55	1.48	1.51	1.56	1.61	1.48	1.51	1.56	1.61	
Amps	4.6	4.7	4.8	5.0	4.9	5.1	5.2	5.4	5.4	5.5	5.7	5.9	5.7	5.9	6.1	6.3	6.1	6.2	6.4	6.7	6.1	6.2	6.4	6.7	
Hi PR	213	229	241	252	238	257	271	283	271	292	308	321	309	332	351	366	347	374	395	412	347	374	395	412	
Lo PR	109	116	126	135	115	122	133	142	119	127	139	148	125	133	146	155	131	140	153	163	131	140	153	163	
MBh	18.3	18.7	19.9	21.3	17.8	18.2	19.5	20.8	17.4	17.8	19.0	20.3	17.0	17.4	18.5	19.8	16.1	16.5	17.6	18.8	16.1	16.5	17.6	18.8	
S/T	0.94	0.88	0.71	0.53	0.97	0.91	0.74	0.55	1.00	0.93	0.76	0.57	1.00	0.96	0.78	0.59	1.00	1.00	0.81	0.61	1.00	1.00	0.81	0.61	
ΔT	23	22	19	15	24	23	20	16	24	23	20	16	23	23	20	16	22	22	20	16	22	22	20	16	
kW	1.20	1.23	1.26	1.30	1.29	1.32	1.36	1.40	1.37	1.40	1.44	1.48	1.44	1.47	1.51	1.56	1.49	1.53	1.57	1.62	1.49	1.53	1.57	1.62	
Amps	4.6	4.7	4.9	5.1	5.0	5.1	5.3	5.5	5.4	5.5	5.7	5.9	5.8	5.9	6.1	6.3	6.1	6.3	6.5	6.7	6.1	6.3	6.5	6.7	
Hi PR	215	231	244	254	241	259	274	285	274	295	311	325	312	336	355	370	351	378	399	416	351	378	399	416	
Lo PR	110	117	128	136	116	123	135	144	121	128	140	149	127	135	147	157	133	141	154	164	133	141	154	164	
MBh	17.8	18.1	19.0	20.2	17.4	17.7	18.5	19.8	16.9	17.3	18.1	19.3	16.5	16.8	17.6	18.8	15.7	16.0	16.8	17.9	15.7	16.0	16.8	17.9	
S/T	0.90	0.87	0.79	0.64	0.93	0.90	0.81	0.66	0.96	0.92	0.83	0.68	0.99	0.95	0.86	0.70	1.00	0.99	0.89	0.73	1.00	0.99	0.89	0.73	
ΔT	28	28	26	23	28	28	26	23	28	28	26	23	29	28	27	23	27	27	26	23	27	27	26	23	
kW	1.19	1.21	1.25	1.29	1.27	1.30	1.34	1.38	1.35	1.38	1.42	1.46	1.42	1.45	1.49	1.54	1.47	1.50	1.55	1.60	1.47	1.50	1.55	1.60	
Amps	4.6	4.7	4.8	5.0	4.9	5.0	5.2	5.4	5.3	5.5	5.6	5.8	5.7	5.8	6.0	6.2	6.1	6.2	6.4	6.6	6.1	6.2	6.4	6.6	
Hi PR	211	227	240	250	237	255	269	281	269	290	306	319	307	330	348	363	345	371	392	409	345	371	392	409	
Lo PR	108	115	125	134	114	121	133	141	119	126	138	147	125	133	145	154	131	139	152	161	131	139	152	161	
MBh	18.0	18.4	19.3	20.5	17.6	18.0	18.8	20.1	17.2	17.5	18.4	19.6	16.8	17.1	17.9	19.1	15.9	16.2	17.0	18.2	15.9	16.2	17.0	18.2	
S/T	0.94	0.90	0.81	0.66	0.97	0.94	0.84	0.68	0.99	0.96	0.87	0.70	1.00	0.99	0.89	0.72	1.00	1.00	0.93	0.75	1.00	1.00	0.93	0.75	
ΔT	27	26	25	22	27	27	25	22	27	27	25	22	27	27	25	22	25	26	25	22	25	26	25	22	
kW	1.20	1.23	1.26	1.30	1.29	1.32	1.36	1.40	1.37	1.40	1.44	1.48	1.44	1.47	1.51	1.56	1.49	1.53	1.57	1.62	1.49	1.53	1.57	1.62	
Amps	4.6	4.7	4.9	5.1	5.0	5.1	5.3	5.5	5.4	5.5	5.7	5.9	5.8	5.9	6.1	6.3	6.1	6.3	6.5	6.7	6.1	6.3	6.5	6.7	
Hi PR	215	231	244	254	241	259	274	285	274	295	311	325	312	336	355	370	351	378	399	416	351	378	399	416	
Lo PR	110	117	128	136	116	123	135	144	121	128	140	149	127	135	147	157	133	141	154	164	133	141	154	164	
MBh	18.6	18.9	19.8	21.2	18.1	18.5	19.4	20.7	17.7	18.1	18.9	20.2	17.3	17.6	18.4	19.7	16.4	16.7	17.5	18.7	16.4	16.7	17.5	18.7	
S/T	0.98	0.95	0.85	0.69	1.00	0.98	0.89	0.72	1.00	1.00	0.91	0.74	1.00	1.00	0.94	0.76	1.00	1.00	0.97	0.79	1.00	1.00	0.97	0.79	
ΔT	25	24	23	20	25	25	23	20	24	25	23	20	24	24	24	20	22	23	23	20	22	23	23	20	
kW	1.21	1.24	1.27	1.31	1.30	1.33	1.37	1.41	1.38	1.41	1.45	1.50	1.45	1.48	1.52	1.57	1.51	1.54	1.59	1.64	1.51	1.54	1.59	1.64	
Amps	4.7	4.8	4.9	5.1	5.0	5.2	5.3	5.5	5.5	5.6	5.8	6.0	5.8	6.0	6.2	6.4	6.2	6.4	6.6	6.8	6.2	6.4	6.6	6.8	
Hi PR	217	233	246	257	243	262	276	288	277	298	314	328	315	339	358	373	354	381	403	420	354	381	403	420	
Lo PR	111	118	129	137	117	125	136	145	122	130	141	151	128	136	149	158	134	143	156	166	134	143	156	166	

IDB: Entering Indoor Dry Bulb Temperature  
 High and low pressures are measured at the liquid and suction service valves.  
 Shaded area reflects AHRI conditions  
 kW= Total system power  
 Amps = outdoor unit amps (comp.+fan)

COOLING DATA — DZ14SA0241A\* / ARPT24B14\*\*

IDB	AIRFLOW	OUTDOOR AMBIENT TEMPERATURE												ENTERING INDOOR WET BULB TEMPERATURE											
		65°F				75°F				85°F				95°F				105°F				115°F			
		59	63	67	71	59	63	67	71	59	63	67	71	59	63	67	71	59	63	67	71	59	63	67	71
70	MBh	21.1	21.8	23.9	-	20.6	21.3	23.4	-	20.1	20.8	22.8	-	19.6	20.3	22.3	-	18.6	19.3	21.1	-	17.3	17.9	19.6	-
	S/T	0.69	0.57	0.40	-	0.71	0.60	0.41	-	0.73	0.61	0.42	-	0.75	0.63	0.44	-	0.78	0.65	0.45	-	0.79	0.66	0.46	-
	ΔT	19	16	13	-	19	17	13	-	19	17	13	-	19	17	13	-	19	17	13	-	18	15	12	-
	kW	1.55	1.58	1.62	-	1.66	1.69	1.74	-	1.75	1.78	1.84	-	1.83	1.87	1.92	-	1.90	1.94	2.00	-	1.96	2.00	2.06	-
	Amps	5.8	5.9	6.1	-	6.2	6.4	6.6	-	6.7	6.9	7.1	-	7.2	7.4	7.6	-	7.6	7.8	8.1	-	8.1	8.3	8.5	-
	Hi PR	204	220	232	-	229	247	260	-	261	281	296	-	297	319	337	-	334	359	380	-	369	397	419	-
	Lo PR	101	108	118	-	107	114	125	-	111	119	129	-	117	125	136	-	123	130	142	-	127	135	147	-
	MBh	22.8	23.7	25.9	-	22.3	23.1	25.3	-	21.8	22.6	24.7	-	21.2	22.0	24.1	-	20.2	20.9	22.9	-	18.7	19.4	21.2	-
	S/T	0.71	0.60	0.41	-	0.74	0.62	0.43	-	0.76	0.63	0.44	-	0.78	0.65	0.45	-	0.81	0.68	0.47	-	0.82	0.68	0.47	-
	ΔT	18	15	12	-	18	15	12	-	18	15	12	-	18	16	12	-	18	15	12	-	17	14	11	-
	kW	1.59	1.62	1.66	-	1.69	1.73	1.78	-	1.79	1.83	1.88	-	1.87	1.91	1.97	-	1.95	1.99	2.05	-	2.01	2.05	2.11	-
	Amps	5.9	6.1	6.3	-	6.4	6.6	6.8	-	6.9	7.1	7.3	-	7.4	7.6	7.8	-	7.8	8.0	8.3	-	8.3	8.5	8.8	-
Hi PR	211	227	239	-	236	254	269	-	269	289	305	-	306	329	348	-	344	371	391	-	380	409	432	-	
Lo PR	105	111	122	-	111	118	128	-	115	122	133	-	121	128	140	-	126	135	147	-	131	139	152	-	
MBh	23.1	23.9	26.2	-	22.5	23.3	25.6	-	22.0	22.8	25.0	-	21.5	22.2	24.4	-	20.4	21.1	23.1	-	18.9	19.6	21.4	-	
S/T	0.73	0.61	0.42	-	0.75	0.63	0.44	-	0.77	0.65	0.45	-	0.80	0.67	0.46	-	0.83	0.69	0.48	-	0.84	0.70	0.48	-	
ΔT	17	15	11	-	17	15	11	-	17	15	11	-	17	15	11	-	17	15	11	-	16	14	11	-	
kW	1.59	1.62	1.66	-	1.70	1.73	1.78	-	1.79	1.83	1.88	-	1.88	1.92	1.97	-	1.95	1.99	2.05	-	2.01	2.05	2.12	-	
Amps	6.0	6.1	6.3	-	6.4	6.6	6.8	-	6.9	7.1	7.3	-	7.4	7.6	7.8	-	7.9	8.1	8.3	-	8.3	8.5	8.8	-	
Hi PR	211	227	240	-	237	255	269	-	270	290	306	-	307	330	349	-	345	372	392	-	382	411	434	-	
Lo PR	105	112	122	-	111	118	129	-	115	123	134	-	121	129	141	-	127	135	147	-	131	140	152	-	
75	MBh	21.4	22.1	23.9	25.6	20.9	21.6	23.3	25.0	20.4	21.0	22.8	24.4	19.9	20.5	22.2	23.8	18.9	19.5	21.1	22.7	17.5	18.1	19.6	21.0
	S/T	0.78	0.70	0.53	0.34	0.81	0.73	0.55	0.37	0.83	0.74	0.56	0.36	0.86	0.77	0.58	0.37	0.89	0.80	0.60	0.39	0.90	0.80	0.61	0.39
	ΔT	22	20	17	11	22	21	17	12	22	21	17	12	22	21	17	12	22	20	17	12	21	19	16	11
	kW	1.56	1.59	1.64	1.68	1.67	1.70	1.75	1.80	1.76	1.80	1.85	1.91	1.85	1.88	1.94	2.00	1.92	1.96	2.01	2.08	1.98	2.02	2.08	2.14
	Amps	5.8	6.0	6.2	6.4	6.3	6.4	6.6	6.9	6.8	7.0	7.2	7.4	7.3	7.4	7.7	7.9	7.7	7.9	8.1	8.4	8.1	8.3	8.6	8.9
	Hi PR	206	222	234	245	232	249	263	274	263	283	299	312	300	323	341	355	337	363	383	400	373	401	424	442
	Lo PR	103	109	119	127	108	115	126	134	113	120	131	139	118	126	137	146	124	132	144	153	128	136	149	159
	MBh	23.2	23.9	25.9	27.8	22.7	23.4	25.3	27.1	22.1	22.8	24.7	26.5	21.6	22.2	24.1	25.8	20.5	21.1	22.9	24.5	19.0	19.6	21.2	22.7
	S/T	0.81	0.73	0.55	0.35	0.84	0.75	0.57	0.37	0.86	0.77	0.58	0.38	0.89	0.80	0.60	0.39	0.92	0.83	0.63	0.40	0.93	0.83	0.63	0.41
	ΔT	20	19	15	11	21	19	16	11	21	19	16	11	21	19	16	11	20	19	15	11	19	18	14	10
	kW	1.60	1.63	1.67	1.72	1.71	1.74	1.79	1.84	1.80	1.84	1.89	1.95	1.89	1.93	1.98	2.05	1.96	2.00	2.06	2.13	2.02	2.07	2.13	2.20
	Amps	6.0	6.1	6.3	6.5	6.5	6.6	6.8	7.1	7.0	7.2	7.4	7.7	7.5	7.6	7.9	8.2	7.9	8.1	8.4	8.7	8.4	8.6	8.8	9.2
Hi PR	213	229	242	252	239	257	271	283	271	292	308	322	309	333	351	366	348	374	395	412	384	414	437	456	
Lo PR	106	112	123	131	112	119	130	138	116	123	135	144	122	130	142	151	128	136	148	158	132	141	153	163	
MBh	23.5	24.1	26.1	28.1	22.9	23.6	25.5	27.4	22.4	23.0	24.9	26.7	21.8	22.5	24.3	26.1	20.7	21.3	23.1	24.8	19.2	19.8	21.4	23.0	
S/T	0.83	0.74	0.56	0.36	0.86	0.77	0.58	0.37	0.88	0.79	0.60	0.38	0.91	0.81	0.61	0.40	0.94	0.84	0.64	0.41	0.95	0.85	0.64	0.41	
ΔT	20	18	15	10	20	18	15	10	20	18	15	10	20	19	15	11	20	18	15	10	19	17	14	10	
kW	1.60	1.63	1.68	1.73	1.71	1.74	1.79	1.85	1.81	1.84	1.90	1.96	1.89	1.93	1.99	2.05	1.97	2.01	2.07	2.13	2.03	2.07	2.13	2.20	
Amps	6.0	6.2	6.3	6.6	6.5	6.6	6.8	7.1	7.0	7.2	7.4	7.7	7.5	7.6	7.9	8.2	7.9	8.1	8.4	8.7	8.4	8.6	8.9	9.2	
Hi PR	213	230	242	253	239	258	272	284	272	293	309	323	310	334	352	368	349	375	396	414	385	415	438	457	
Lo PR	106	113	123	131	112	119	130	139	116	124	135	144	122	130	142	151	128	136	149	158	133	141	154	164	

IDB: Entering Indoor Dry Bulb Temperature  
 High and low pressures are measured at the liquid and suction service valves.  
 Shaded area reflects ACCA (TVA) conditions  
 kW= Total system power  
 Amps = outdoor unit amps (comp.+fan)

COOLING DATA — DZ14SA0241A\* / ARPT24B14\*\* (CONT.)

IDB	AIRFLOW	OUTDOOR AMBIENT TEMPERATURE												ENTERING INDOOR WET BULB TEMPERATURE												
		65°F				75°F				85°F				95°F				105°F				115°F				
		59	63	67	71	59	63	67	71	59	63	67	71	59	63	67	71	59	63	67	71	59	63	67	71	
80	MBh	21.8	22.3	23.8	25.5	21.3	21.8	23.3	24.9	20.8	21.3	22.7	24.3	20.3	20.7	22.2	23.7	19.3	19.7	21.0	22.5	18.2	18.5	19.4	20.7	
	S/T	0.86	0.80	0.65	0.49	0.89	0.83	0.68	0.51	0.91	0.86	0.70	0.52	0.94	0.88	0.72	0.54	0.98	0.92	0.75	0.56	0.98	0.92	0.75	0.56	
	ΔT	25	24	20	16	25	24	21	17	25	24	21	17	25	24	21	17	25	24	21	16	23	22	19	15	
	kW	1.57	1.60	1.65	1.70	1.68	1.71	1.76	1.82	1.78	1.81	1.86	1.92	1.86	1.90	1.95	2.01	1.93	1.97	2.03	2.09	1.99	2.03	2.10	2.16	
	Amps	5.9	6.0	6.2	6.4	6.3	6.5	6.7	6.9	6.9	7.0	7.3	7.5	7.3	7.5	7.7	8.0	7.8	8.0	8.2	8.5	8.2	8.4	8.7	9.0	
	Hi PR	208	224	237	247	234	252	266	277	266	286	302	315	303	326	344	359	341	367	387	404	377	405	428	446	
	Lo PR	104	110	120	128	109	116	127	135	114	121	132	141	119	127	139	148	125	133	145	155	129	138	150	160	
	MBh	23.6	24.1	25.8	27.6	23.1	23.6	25.2	26.9	22.5	23.0	24.6	26.3	22.0	22.5	24.0	25.7	20.9	21.3	22.8	24.4	19.3	19.8	21.1	22.6	
	S/T	0.89	0.83	0.68	0.51	0.92	0.86	0.70	0.53	0.95	0.89	0.72	0.54	0.98	0.92	0.75	0.56	1.00	0.95	0.77	0.58	1.00	0.96	0.78	0.58	
	ΔT	23	22	19	15	23	22	19	15	23	22	19	15	23	22	19	15	23	22	19	15	21	20	18	14	
kW	1.61	1.64	1.69	1.73	1.72	1.75	1.80	1.86	1.82	1.85	1.91	1.97	1.90	1.94	2.00	2.06	1.98	2.02	2.08	2.14	2.04	2.08	2.15	2.21		
Amps	6.1	6.2	6.4	6.6	6.5	6.7	6.9	7.1	7.1	7.2	7.4	7.7	7.5	7.7	7.9	8.2	8.0	8.2	8.4	8.8	8.4	8.6	8.9	9.3		
Hi PR	215	231	244	255	241	259	274	286	274	295	312	325	312	336	355	370	351	378	399	416	388	418	441	460		
Lo PR	107	114	124	132	113	120	131	140	117	125	136	145	123	131	143	152	129	137	150	160	133	142	155	165		
900	MBh	23.9	24.4	26.1	27.9	23.3	23.8	25.5	27.2	22.8	23.3	24.8	26.6	22.2	22.7	24.2	25.9	21.1	21.6	23.0	24.6	19.5	20.0	21.3	22.8	
	S/T	0.91	0.85	0.69	0.52	0.94	0.88	0.72	0.54	0.96	0.90	0.74	0.55	1.00	0.93	0.76	0.57	1.00	0.97	0.79	0.59	1.00	0.98	0.80	0.59	
	ΔT	22	21	18	15	22	21	19	15	22	21	19	15	23	22	19	15	22	21	19	15	20	20	17	14	
	kW	1.61	1.64	1.69	1.74	1.72	1.76	1.81	1.86	1.82	1.86	1.91	1.97	1.91	1.95	2.00	2.07	1.98	2.02	2.08	2.15	2.04	2.09	2.15	2.22	
	Amps	6.1	6.2	6.4	6.6	6.5	6.7	6.9	7.1	7.1	7.2	7.5	7.7	7.5	7.7	8.0	8.3	8.0	8.2	8.5	8.8	8.5	8.7	9.0	9.3	
	Hi PR	216	232	245	255	242	260	275	287	275	296	313	326	313	337	356	371	352	379	400	418	389	419	442	461	
	Lo PR	107	114	124	132	113	120	131	140	118	125	137	145	123	131	143	153	129	138	150	160	134	142	155	166	
	85	MBh	22.2	22.6	23.7	25.3	21.7	22.1	23.1	24.7	21.2	21.6	22.6	24.1	20.6	21.0	22.0	23.5	19.6	20.0	20.9	22.3	18.2	18.5	19.4	20.7
		S/T	0.90	0.87	0.78	0.64	0.93	0.90	0.81	0.66	0.96	0.92	0.83	0.68	0.99	0.95	0.86	0.70	1.00	0.99	0.89	0.72	1.00	1.00	0.90	0.73
		ΔT	26	26	24	21	27	26	25	21	27	26	25	21	27	26	25	22	26	26	25	21	24	24	23	20
kW		1.58	1.61	1.66	1.71	1.69	1.73	1.78	1.83	1.79	1.82	1.88	1.94	1.87	1.91	1.97	2.03	1.95	1.99	2.05	2.11	2.01	2.05	2.11	2.18	
Amps		5.9	6.1	6.3	6.5	6.4	6.5	6.8	7.0	6.9	7.1	7.3	7.6	7.4	7.6	7.8	8.1	7.8	8.0	8.3	8.6	8.3	8.5	8.8	9.1	
Hi PR		211	227	239	250	236	254	268	280	269	289	305	318	306	329	348	363	344	370	391	408	380	409	432	451	
Lo PR		105	111	121	129	110	118	128	137	115	122	133	142	121	128	140	149	126	134	147	156	131	139	152	162	
MBh		24.0	24.5	25.7	27.4	23.5	23.9	25.1	26.8	22.9	23.4	24.5	26.1	22.4	22.8	23.9	25.5	21.2	21.7	22.7	24.2	19.7	20.1	21.0	22.4	
S/T		0.93	0.90	0.81	0.66	0.97	0.93	0.84	0.68	0.99	0.96	0.86	0.70	1.00	0.99	0.89	0.72	1.00	1.00	0.92	0.75	1.00	1.00	0.93	0.76	
ΔT		24	24	23	20	25	24	23	20	25	24	23	20	24	24	23	20	23	23	23	20	21	22	21	18	
kW	1.62	1.65	1.70	1.75	1.73	1.77	1.82	1.87	1.83	1.87	1.92	1.98	1.92	1.96	2.02	2.08	1.99	2.03	2.09	2.16	2.06	2.10	2.16	2.23		
Amps	6.1	6.2	6.4	6.7	6.6	6.7	6.9	7.2	7.1	7.3	7.5	7.8	7.6	7.8	8.0	8.3	8.1	8.2	8.5	8.8	8.5	8.7	9.0	9.3		
Hi PR	217	234	247	257	244	262	277	289	277	298	315	328	315	339	358	374	355	382	403	421	392	422	446	465		
Lo PR	108	115	125	133	114	121	132	141	118	126	137	146	124	132	144	154	130	139	151	161	135	143	157	167		
900	MBh	24.3	24.8	25.9	27.7	23.7	24.2	25.3	27.0	23.2	23.6	24.7	26.4	22.6	23.0	24.1	25.7	21.5	21.9	22.9	24.4	19.9	20.3	21.2	22.6	
	S/T	0.95	0.92	0.83	0.67	0.99	0.95	0.86	0.70	1.00	0.98	0.88	0.71	1.00	1.00	0.91	0.74	1.00	1.00	0.94	0.77	1.00	1.00	0.95	0.77	
	ΔT	24	23	22	19	24	23	22	19	24	24	22	19	23	24	22	19	22	22	22	19	20	21	21	18	
	kW	1.62	1.65	1.70	1.75	1.74	1.77	1.82	1.88	1.83	1.87	1.93	1.99	1.92	1.96	2.02	2.08	2.00	2.04	2.10	2.16	2.06	2.10	2.17	2.24	
	Amps	6.1	6.3	6.5	6.7	6.6	6.7	7.0	7.2	7.1	7.3	7.5	7.8	7.6	7.8	8.0	8.3	8.1	8.3	8.5	8.9	8.5	8.7	9.0	9.4	
	Hi PR	218	234	247	258	244	263	278	289	278	299	316	329	316	340	360	375	356	383	404	422	393	423	447	466	
	Lo PR	108	115	126	134	114	122	133	141	119	126	138	147	125	133	145	154	131	139	152	162	135	144	157	167	

IDB: Entering Indoor Dry Bulb Temperature  
 High and low pressures are measured at the liquid and suction service valves.  
 Shaded area reflects AHRI conditions  
 kW= Total system power  
 Amps = outdoor unit amps (comp.+fan)

COOLING DATA — DZ14SA0301A\* / ARPT30B14\*\*

IDB	AIRFLOW	OUTDOOR AMBIENT TEMPERATURE												ENTERING INDOOR WET BULB TEMPERATURE											
		65°F				75°F				85°F				95°F				105°F				115°F			
		59	63	67	71	59	63	67	71	59	63	67	71	59	63	67	71	59	63	67	71	59	63	67	71
70	MBh	26.4	27.4	30.0	-	25.2	26.1	28.6	-	24.6	25.5	27.9	-	23.4	24.2	26.5	-	23.4	24.2	26.5	-	21.7	22.4	24.6	-
	S/T	0.69	0.57	0.40	-	0.73	0.61	0.42	-	0.75	0.63	0.44	-	0.78	0.65	0.45	-	0.78	0.65	0.45	-	0.79	0.66	0.46	-
	ΔT	19	16	13	-	19	17	13	-	19	17	13	-	19	17	13	-	19	17	13	-	18	16	12	-
	kW	1.90	1.94	1.99	-	2.04	2.08	2.14	-	2.26	2.31	2.38	-	2.35	2.40	2.47	-	2.35	2.40	2.47	-	2.43	2.48	2.56	-
	Amps	7.4	7.5	7.8	-	7.9	8.1	8.4	-	9.2	9.4	9.7	-	9.7	10.0	10.3	-	9.7	10.0	10.3	-	10.3	10.6	10.9	-
	Hi PR	214	231	244	-	241	259	273	-	312	335	354	-	351	377	398	-	351	377	398	-	387	417	440	-
	Lo PR	100	107	117	-	106	113	123	-	116	123	134	-	121	129	141	-	121	129	141	-	125	134	146	-
	MBh	26.4	27.4	30.0	-	25.2	26.1	28.6	-	24.6	25.5	27.9	-	23.4	24.2	26.5	-	23.4	24.2	26.5	-	21.7	22.4	24.6	-
	S/T	0.69	0.57	0.40	-	0.73	0.61	0.42	-	0.75	0.63	0.44	-	0.78	0.65	0.45	-	0.78	0.65	0.45	-	0.79	0.66	0.46	-
	ΔT	20	17	13	-	20	17	13	-	20	18	13	-	20	17	13	-	20	17	13	-	19	16	12	-
kW	1.90	1.94	1.99	-	2.04	2.08	2.14	-	2.26	2.31	2.38	-	2.35	2.40	2.47	-	2.35	2.40	2.47	-	2.43	2.48	2.56	-	
Amps	7.4	7.5	7.8	-	7.9	8.1	8.4	-	9.2	9.4	9.7	-	9.7	10.0	10.3	-	9.7	10.0	10.3	-	10.3	10.6	10.9	-	
Hi PR	214	231	244	-	241	259	273	-	312	335	354	-	351	377	398	-	351	377	398	-	387	417	440	-	
Lo PR	100	107	117	-	106	113	123	-	116	123	134	-	121	129	141	-	121	129	141	-	125	134	146	-	
75	MBh	26.9	27.7	30.0	32.2	26.3	27.0	29.3	31.4	25.6	26.4	28.6	30.7	25.0	25.8	27.9	29.9	23.8	24.5	26.5	28.4	22.0	22.7	24.5	26.3
	S/T	0.78	0.70	0.53	0.34	0.81	0.72	0.55	0.35	0.83	0.74	0.56	0.36	0.86	0.76	0.58	0.37	0.89	0.79	0.60	0.39	0.90	0.80	0.61	0.39
	ΔT	22	20	17	11	22	21	17	12	22	21	17	12	22	21	17	12	22	20	17	12	21	19	16	11
	kW	1.91	1.95	2.01	2.07	2.05	2.09	2.16	2.22	2.17	2.22	2.28	2.36	2.28	2.33	2.40	2.47	2.37	2.42	2.50	2.57	2.45	2.50	2.58	2.66
	Amps	7.4	7.6	7.8	8.1	8.0	8.2	8.5	8.8	8.7	8.9	9.2	9.5	9.3	9.5	9.8	10.1	9.8	10.1	10.4	10.8	10.4	10.6	11.0	11.4
	Hi PR	217	233	246	257	243	262	276	288	276	297	314	328	315	339	358	373	354	381	403	420	391	421	445	464
	Lo PR	101	108	118	125	107	114	124	133	111	118	129	138	117	124	136	145	123	130	142	152	127	135	147	157
	MBh	26.9	27.7	30.0	32.2	26.3	27.0	29.3	31.4	25.6	26.4	28.6	30.7	25.0	25.8	27.9	29.9	23.8	24.5	26.5	28.4	22.0	22.7	24.5	26.3
	S/T	0.78	0.70	0.53	0.34	0.81	0.72	0.55	0.35	0.83	0.74	0.56	0.36	0.86	0.76	0.58	0.37	0.89	0.79	0.60	0.39	0.90	0.80	0.61	0.39
	ΔT	23	21	17	12	23	21	18	12	23	21	18	12	23	22	18	12	23	21	17	12	22	20	16	11
kW	1.91	1.95	2.01	2.07	2.05	2.09	2.16	2.22	2.17	2.22	2.28	2.36	2.28	2.33	2.40	2.47	2.37	2.42	2.50	2.57	2.45	2.50	2.58	2.66	
Amps	7.4	7.6	7.8	8.1	8.0	8.2	8.5	8.8	8.7	8.9	9.2	9.5	9.3	9.5	9.8	10.1	9.8	10.1	10.4	10.8	10.4	10.6	11.0	11.4	
Hi PR	217	233	246	257	243	262	276	288	276	297	314	328	315	339	358	373	354	381	403	420	391	421	445	464	
Lo PR	101	108	118	125	107	114	124	133	111	118	129	138	117	124	136	145	123	130	142	152	127	135	147	157	
MBh	27.8	28.7	31.0	33.3	27.2	28.0	30.3	32.5	26.5	27.3	29.6	31.7	25.9	26.7	28.9	31.0	24.6	25.3	27.4	29.4	22.8	23.5	25.4	27.3	
S/T	0.83	0.74	0.56	0.36	0.86	0.77	0.58	0.37	0.88	0.79	0.60	0.38	0.91	0.81	0.62	0.40	0.94	0.84	0.64	0.41	0.95	0.85	0.64	0.41	
ΔT	19	17	14	10	19	18	14	10	19	18	14	10	19	18	15	10	19	17	14	10	18	16	13	9	
kW	1.94	1.98	2.04	2.10	2.08	2.12	2.19	2.26	2.21	2.25	2.32	2.39	2.31	2.36	2.44	2.51	2.41	2.46	2.53	2.62	2.49	2.54	2.62	2.70	
Amps	7.6	7.7	8.0	8.3	8.2	8.3	8.6	8.9	8.8	9.0	9.3	9.7	9.4	9.6	10.0	10.3	10.0	10.2	10.6	11.0	10.6	10.8	11.2	11.6	
Hi PR	221	238	251	262	248	267	282	294	282	303	320	334	321	346	365	381	361	389	411	428	399	430	454	473	
Lo PR	103	110	120	128	109	116	127	135	114	121	132	140	119	127	139	148	125	133	145	155	129	138	150	160	

IDB: Entering Indoor Dry Bulb Temperature  
 High and low pressures are measured at the liquid and suction service valves.  
 Shaded area reflects ACCA (TVA) conditions  
 kW= Total system power  
 Amps = outdoor unit amps (comp.+fan)



COOLING DATA — DZ14SA0301A\* / ARPT30B14\*\* (CONT.)

IDB	AIRFLOW	OUTDOOR AMBIENT TEMPERATURE												ENTERING INDOOR WET BULB TEMPERATURE											
		65°F				75°F				85°F				95°F				105°F				115°F			
		59	63	67	71	59	63	67	71	59	63	67	71	59	63	67	71	59	63	67	71	59	63	67	71
80	MBh	27.4	28.0	29.9	31.9	26.7	27.3	29.2	31.2	26.1	26.7	28.5	30.5	25.5	26.0	27.8	29.7	24.2	24.7	26.4	28.2	22.4	22.9	24.5	26.2
	S/T	0.86	0.80	0.65	0.49	0.89	0.83	0.68	0.51	0.91	0.85	0.69	0.52	0.94	0.88	0.72	0.54	0.97	0.91	0.74	0.56	0.98	0.92	0.75	0.56
	ΔT	25	24	20	16	25	24	21	17	25	24	21	17	25	24	21	17	25	24	21	16	23	22	19	15
	kW	1.93	1.97	2.02	2.09	2.07	2.11	2.17	2.24	2.19	2.23	2.30	2.37	2.30	2.34	2.42	2.49	2.39	2.44	2.52	2.60	2.47	2.52	2.60	2.68
	Amps	7.5	7.7	7.9	8.2	8.1	8.3	8.5	8.8	8.8	9.0	9.3	9.6	9.3	9.6	9.9	10.2	9.9	10.2	10.5	10.9	10.5	10.7	11.1	11.5
	Hi PR	219	235	249	259	246	264	279	291	279	300	317	331	318	342	361	377	358	385	407	424	395	425	449	469
	Lo PR	102	109	119	127	108	115	126	134	112	120	131	139	118	126	137	146	124	132	144	153	128	136	149	158
	MBh	27.4	28.0	29.9	31.9	26.7	27.3	29.2	31.2	26.1	26.7	28.5	30.5	25.5	26.0	27.8	29.7	24.2	24.7	26.4	28.2	22.4	22.9	24.5	26.2
	S/T	0.86	0.80	0.65	0.49	0.89	0.83	0.68	0.51	0.91	0.85	0.69	0.52	0.94	0.88	0.72	0.54	0.97	0.91	0.74	0.56	0.98	0.92	0.75	0.56
	ΔT	26	25	21	17	26	25	22	17	26	25	22	17	26	25	22	17	26	25	21	17	24	23	20	16
kW	1.93	1.97	2.02	2.09	2.07	2.11	2.17	2.24	2.19	2.23	2.30	2.37	2.30	2.34	2.42	2.49	2.39	2.44	2.52	2.60	2.47	2.52	2.60	2.68	
Amps	7.5	7.7	7.9	8.2	8.1	8.3	8.5	8.8	8.8	9.0	9.3	9.6	9.3	9.6	9.9	10.2	9.9	10.2	10.5	10.9	10.5	10.7	11.1	11.5	
Hi PR	219	235	249	259	246	264	279	291	279	300	317	331	318	342	361	377	358	385	407	424	395	425	449	469	
Lo PR	102	109	119	127	108	115	126	134	112	120	131	139	118	126	137	146	124	132	144	153	128	136	149	158	
MBh	28.3	29.0	30.9	33.1	27.7	28.3	30.2	32.3	27.0	27.6	29.5	31.5	26.4	26.9	28.8	30.8	25.0	25.6	27.3	29.2	23.2	23.7	25.3	27.1	
S/T	0.91	0.85	0.69	0.52	0.94	0.88	0.72	0.54	0.97	0.91	0.74	0.55	1.00	0.93	0.76	0.57	1.00	1.00	0.79	0.59	1.00	1.00	0.80	0.60	
ΔT	21	20	18	14	21	20	18	14	21	20	18	14	22	21	18	14	20	21	18	14	19	19	16	13	
kW	1.96	2.00	2.05	2.12	2.10	2.14	2.21	2.27	2.22	2.27	2.34	2.41	2.33	2.38	2.46	2.53	2.43	2.48	2.56	2.64	2.51	2.56	2.64	2.73	
Amps	7.6	7.8	8.1	8.3	8.2	8.4	8.7	9.0	8.9	9.1	9.4	9.8	9.5	9.7	10.0	10.4	10.1	10.3	10.7	11.1	10.7	10.9	11.3	11.7	
Hi PR	223	240	254	265	250	269	285	297	285	307	324	338	324	349	369	384	365	393	415	433	403	434	458	478	
Lo PR	104	111	121	129	110	117	128	137	115	122	133	142	120	128	140	149	126	134	147	156	131	139	152	162	
85	MBh	27.9	28.4	29.7	31.7	27.2	27.7	29.0	31.0	26.6	27.1	28.4	30.2	25.9	26.4	27.7	29.5	24.6	25.1	26.3	28.0	22.8	23.2	24.3	26.0
	S/T	0.90	0.86	0.78	0.63	0.93	0.90	0.81	0.66	0.95	0.92	0.83	0.67	0.98	0.95	0.86	0.69	1.00	0.98	0.89	0.72	1.00	0.99	0.90	0.73
	ΔT	26	26	24	21	27	26	25	21	27	26	25	21	27	26	25	22	26	26	25	21	24	24	23	20
	kW	1.94	1.98	2.04	2.10	2.08	2.12	2.19	2.26	2.21	2.25	2.32	2.39	2.31	2.36	2.44	2.51	2.41	2.46	2.54	2.62	2.49	2.54	2.62	2.71
	Amps	7.6	7.7	8.0	8.3	8.2	8.3	8.6	8.9	8.8	9.0	9.3	9.7	9.4	9.6	10.0	10.3	10.0	10.2	10.6	11.0	10.6	10.8	11.2	11.6
	Hi PR	221	238	251	262	248	267	282	294	282	303	320	334	321	346	365	381	361	389	411	428	399	430	454	473
	Lo PR	103	110	120	128	109	116	127	135	114	121	132	140	119	127	139	148	125	133	145	155	129	138	150	160
	MBh	27.9	28.4	29.7	31.7	27.2	27.7	29.0	31.0	26.6	27.1	28.4	30.2	25.9	26.4	27.7	29.5	24.6	25.1	26.3	28.0	22.8	23.2	24.3	26.0
	S/T	0.90	0.86	0.78	0.63	0.93	0.90	0.81	0.66	0.95	0.92	0.83	0.67	0.98	0.95	0.86	0.69	1.00	0.98	0.89	0.72	1.00	0.99	0.90	0.73
	ΔT	27	27	25	22	28	27	26	22	28	27	26	22	28	27	26	22	27	27	26	22	25	25	24	21
kW	1.94	1.98	2.04	2.10	2.08	2.12	2.19	2.26	2.21	2.25	2.32	2.39	2.31	2.36	2.44	2.51	2.41	2.46	2.54	2.62	2.49	2.54	2.62	2.71	
Amps	7.6	7.7	8.0	8.3	8.2	8.3	8.6	8.9	8.8	9.0	9.3	9.7	9.4	9.6	10.0	10.3	10.0	10.2	10.6	11.0	10.6	10.8	11.2	11.6	
Hi PR	221	238	251	262	248	267	282	294	282	303	320	334	321	346	365	381	361	389	411	428	399	430	454	473	
Lo PR	103	110	120	128	109	116	127	135	114	121	132	140	119	127	139	148	125	133	145	155	129	138	150	160	
MBh	28.8	29.4	30.8	32.8	28.2	28.7	30.1	32.1	27.5	28.0	29.3	31.3	26.8	27.3	28.6	30.5	25.5	26.0	27.2	29.0	23.6	24.1	25.2	26.9	
S/T	0.95	0.92	0.83	0.67	0.99	0.95	0.86	0.70	1.00	0.98	0.88	0.72	1.00	1.00	0.91	0.74	1.00	1.00	0.94	0.77	1.00	1.00	0.95	0.77	
ΔT	22	22	21	18	23	22	21	18	22	22	21	18	22	22	21	18	21	21	21	18	19	20	20	17	
kW	1.97	2.01	2.07	2.13	2.11	2.16	2.22	2.29	2.24	2.29	2.36	2.43	2.35	2.40	2.48	2.55	2.45	2.50	2.58	2.66	2.53	2.58	2.66	2.75	
Amps	7.7	7.9	8.1	8.4	8.3	8.5	8.8	9.1	9.0	9.2	9.5	9.8	9.6	9.8	10.1	10.5	10.2	10.4	10.8	11.2	10.8	11.0	11.4	11.8	
Hi PR	225	243	256	267	253	272	287	300	288	310	327	341	328	353	372	388	369	397	419	437	407	438	463	483	
Lo PR	106	112	123	131	111	119	129	138	116	123	135	143	122	129	141	151	128	136	148	158	132	140	153	163	

IDB: Entering Indoor Dry Bulb Temperature  
 High and low pressures are measured at the liquid and suction service valves.  
 Shaded area reflects AHRI conditions  
 kW= Total system power  
 Amps = outdoor unit amps (comp.+fan)

# COOLING DATA — DZ14SA0361A\* / ARPT36D14\*\*

IDB	AIRFLOW	OUTDOOR AMBIENT TEMPERATURE												ENTERING INDOOR WET BULB TEMPERATURE													
		65°F				75°F				85°F				95°F				105°F				115°F					
		59	63	67	71	59	63	67	71	59	63	67	71	59	63	67	71	59	63	67	71	59	63	67	71		
70	1050	MBh	31.3	32.4	35.5	-	30.6	31.7	34.7	-	29.8	30.9	33.9	-	29.1	30.2	33.1	-	27.7	28.7	31.4	-	25.6	26.6	29.1	-	
		S/T	0.70	0.59	0.41	-	0.73	0.61	0.42	-	0.75	0.62	0.43	-	0.77	0.64	0.45	-	0.80	0.67	0.46	-	0.81	0.67	0.47	-	
		ΔT	19	17	13	-	19	17	13	-	19	17	13	-	20	17	13	-	19	17	13	-	18	16	12	-	
	1120	kW	2.28	2.32	2.39	-	2.43	2.48	2.55	-	2.57	2.62	2.70	-	2.69	2.74	2.82	-	2.79	2.85	2.93	-	2.88	2.94	3.03	-	
		Amps	8.6	8.8	9.1	-	9.3	9.5	9.8	-	10.0	10.2	10.6	-	10.7	10.9	11.3	-	11.3	11.6	11.9	-	11.9	12.2	12.6	-	
		Hi PR	218	235	248	-	245	263	278	-	278	299	316	-	317	341	360	-	357	384	405	-	394	424	448	-	
	1350	Lo PR	104	111	121	-	110	117	128	-	114	122	133	-	120	128	139	-	126	134	146	-	130	138	151	-	
		MBh	31.8	32.9	36.1	-	31.0	32.2	35.2	-	30.3	31.4	34.4	-	29.6	30.6	33.6	-	28.1	29.1	31.9	-	26.0	27.0	29.5	-	
		S/T	0.73	0.61	0.42	-	0.75	0.63	0.44	-	0.77	0.65	0.45	-	0.80	0.67	0.46	-	0.83	0.69	0.48	-	0.83	0.70	0.48	-	
	75	1050	ΔT	19	16	12	-	19	17	13	-	19	17	13	-	19	17	13	-	19	17	13	-	18	15	12	-
			kW	2.30	2.34	2.40	2.47	2.45	2.50	2.57	2.64	2.59	2.64	2.72	2.80	2.71	2.76	2.84	2.93	2.81	2.87	2.95	3.05	2.90	2.96	3.05	3.14
			Amps	8.7	8.9	9.2	9.5	9.3	9.6	9.9	10.2	10.1	10.3	10.7	11.0	10.8	11.0	11.4	11.8	11.4	11.4	11.7	12.0	12.5	12.1	12.3	12.7
1120		Hi PR	220	237	250	261	247	266	281	293	281	303	319	333	320	345	364	380	360	388	409	427	398	428	452	472	
		Lo PR	105	112	122	130	111	118	129	137	115	123	134	143	121	129	141	150	127	135	148	157	131	140	153	163	
		MBh	32.3	33.3	36.0	38.7	31.6	32.5	35.2	37.8	30.8	31.7	34.3	36.9	30.1	30.9	33.5	36.0	28.6	29.4	31.8	34.2	26.5	27.2	29.5	31.6	
1350		S/T	0.83	0.74	0.56	0.36	0.86	0.77	0.58	0.37	0.88	0.79	0.59	0.38	0.91	0.81	0.61	0.39	0.94	0.84	0.64	0.41	0.95	0.85	0.64	0.41	
		ΔT	22	20	17	11	22	20	17	12	22	20	17	12	22	21	17	12	22	20	17	11	21	19	16	11	
		kW	2.32	2.37	2.43	2.50	2.48	2.53	2.60	2.68	2.62	2.67	2.75	2.83	2.74	2.80	2.88	2.97	2.85	2.91	2.99	3.09	2.94	3.00	3.09	3.19	
75		1120	Amps	8.8	9.0	9.3	9.6	9.5	9.7	10.0	10.4	10.3	10.5	10.8	11.2	10.9	11.2	11.5	11.9	11.6	11.9	12.2	12.7	12.2	12.5	12.9	13.4
			Hi PR	224	241	255	266	251	271	286	298	286	308	325	339	326	351	370	386	366	394	416	434	405	436	460	480
			Lo PR	107	114	124	132	113	120	131	140	117	125	136	145	123	131	143	153	129	138	150	160	134	142	155	165
75	1350	MBh	33.4	34.4	37.3	40.0	32.7	33.6	36.4	39.1	31.9	32.8	35.5	38.1	31.1	32.0	34.7	37.2	29.6	30.4	32.9	35.4	27.4	28.2	30.5	32.7	
		S/T	0.88	0.79	0.59	0.38	0.91	0.81	0.62	0.40	0.93	0.83	0.63	0.41	0.96	0.86	0.65	0.42	1.00	0.89	0.68	0.44	1.00	0.90	0.68	0.44	
		ΔT	20	18	15	10	20	19	15	11	20	19	15	11	20	19	15	11	20	19	15	10	19	17	14	10	
75	1350	kW	2.36	2.40	2.47	2.54	2.52	2.57	2.64	2.72	2.66	2.71	2.79	2.88	2.79	2.84	2.93	3.02	2.89	2.95	3.04	3.13	2.98	3.05	3.14	3.24	
		Amps	9.0	9.2	9.4	9.8	9.6	9.9	10.2	10.5	10.4	10.7	11.0	11.4	11.1	11.4	11.7	12.1	11.8	12.1	12.4	12.9	12.5	12.7	13.2	13.6	
		Hi PR	229	246	260	271	257	276	291	304	292	314	332	346	332	358	378	394	374	402	425	443	413	444	469	489	
75	1350	Lo PR	109	116	127	135	115	123	134	143	120	127	139	148	126	134	146	156	132	140	153	163	136	145	158	169	

IDB: Entering Indoor Dry Bulb Temperature  
 High and low pressures are measured at the liquid and suction service valves.  
 Shaded area reflects ACCA (TVA) conditions  
 kW= Total system power  
 Amps = outdoor unit amps (comp.+fan)



# COOLING DATA — DZ14SA0381A\* / ASPT42C14\*\*

IDB	AIRFLOW	OUTDOOR AMBIENT TEMPERATURE												ENTERING INDOOR WET BULB TEMPERATURE													
		65°F				75°F				85°F				95°F				105°F				115°F					
		59	63	67	71	59	63	67	71	59	63	67	71	59	63	67	71	59	63	67	71	59	63	67	71		
70	1050	MBh	30.4	31.5	34.5	-	29.7	30.7	33.7	-	29.0	30.0	32.9	-	28.2	29.3	32.1	-	26.8	27.8	30.5	-	24.9	25.8	28.2	-	
		S/T	0.71	0.59	0.41	-	0.73	0.61	0.42	-	0.75	0.63	0.43	-	0.77	0.65	0.45	-	0.80	0.67	0.46	-	0.81	0.68	0.47	-	
		ΔT	19	16	12	-	19	16	12	-	19	16	12	-	19	17	13	-	19	16	12	-	18	15	12	-	
	1175	kW	2.68	2.68	2.68	-	2.68	2.68	2.68	-	2.69	2.69	2.69	-	2.69	2.69	2.69	-	2.69	2.69	2.69	-	2.69	2.69	2.69	-	
		Amps	10.9	10.9	10.9	-	10.9	10.9	10.9	-	10.9	11.0	11.0	-	11.0	11.0	11.0	-	11.0	11.0	11.1	-	11.0	11.1	11.1	-	
		Hi PR	211	228	240	-	237	255	270	-	270	290	307	-	307	331	349	-	346	372	393	-	382	411	434	-	
	1350	Lo PR	104	110	120	-	110	117	127	-	114	121	132	-	120	127	139	-	125	133	146	-	130	138	151	-	
		MBh	32.0	33.1	36.3	-	31.2	32.4	35.5	-	30.5	31.6	34.6	-	29.7	30.8	33.8	-	28.2	29.3	32.1	-	26.2	27.1	29.7	-	
		S/T	0.74	0.62	0.43	-	0.76	0.64	0.44	-	0.78	0.65	0.45	-	0.81	0.67	0.47	-	0.84	0.70	0.49	-	0.85	0.71	0.49	-	
	75	1050	ΔT	18	16	12	-	19	16	12	-	19	16	12	-	19	16	12	-	19	16	12	-	17	15	11	-
			kW	2.68	2.68	2.68	-	2.68	2.68	2.69	-	2.69	2.69	2.69	-	2.69	2.69	2.69	-	2.69	2.69	2.69	-	2.69	2.69	2.69	-
			Amps	10.9	10.9	10.9	-	10.9	10.9	10.9	-	10.9	11.0	11.0	-	11.0	11.0	11.0	-	11.0	11.0	11.1	-	11.0	11.1	11.1	-
1175		Hi PR	216	232	245	-	242	261	275	-	275	296	313	-	314	338	356	-	353	380	401	-	390	420	443	-	
		Lo PR	106	113	123	-	112	119	130	-	116	124	135	-	122	130	142	-	128	136	149	-	132	141	154	-	
		MBh	32.9	34.1	37.4	-	32.2	33.3	36.5	-	31.4	32.5	35.7	-	30.6	31.7	34.8	-	29.1	30.2	33.0	-	27.0	27.9	30.6	-	
1350		S/T	0.77	0.65	0.45	-	0.80	0.67	0.46	-	0.82	0.69	0.47	-	0.85	0.71	0.49	-	0.88	0.73	0.51	-	0.89	0.74	0.51	-	
		ΔT	17	15	11	-	18	15	12	-	18	15	12	-	18	15	12	-	17	15	11	-	16	14	11	-	
		kW	2.68	2.68	2.68	-	2.68	2.68	2.69	-	2.69	2.69	2.69	-	2.69	2.69	2.69	-	2.69	2.69	2.69	-	2.69	2.69	2.69	-	
75		1050	Amps	10.9	10.9	10.9	-	10.9	10.9	10.9	-	11.0	11.0	11.0	-	11.0	11.0	11.0	-	11.0	11.0	11.1	-	11.0	11.1	11.1	-
			Hi PR	218	235	248	-	245	263	278	-	278	299	316	-	317	341	360	-	356	384	405	-	394	424	447	-
			Lo PR	107	114	124	-	113	120	131	-	117	125	136	-	123	131	143	-	129	137	150	-	134	142	155	-
	1175	MBh	30.9	31.8	34.4	36.9	30.2	31.1	33.6	36.1	29.4	30.3	32.8	35.2	28.7	29.6	32.0	34.4	27.3	28.1	30.4	32.6	25.3	26.0	28.2	30.2	
		S/T	0.80	0.72	0.54	0.35	0.83	0.74	0.56	0.36	0.85	0.76	0.58	0.37	0.88	0.79	0.60	0.38	0.91	0.82	0.62	0.40	0.92	0.82	0.62	0.40	
		ΔT	22	20	16	11	22	20	17	11	22	20	17	11	22	20	17	11	22	20	16	11	20	19	15	11	
	1350	kW	2.68	2.68	2.68	2.68	2.68	2.68	2.69	2.69	2.69	2.69	2.69	2.69	2.69	2.69	2.69	2.69	2.69	2.69	2.69	2.69	2.69	2.69	2.69	2.69	
		Amps	10.9	10.9	10.9	10.9	10.9	10.9	10.9	10.9	10.9	11.0	11.0	11.0	11.0	11.0	11.0	11.0	11.0	11.0	11.1	11.1	11.0	11.1	11.1	11.1	
		Hi PR	214	230	243	253	240	258	272	284	273	293	310	323	311	334	353	368	349	376	397	414	386	415	439	457	
	1175	Lo PR	105	111	122	130	111	118	129	137	115	122	134	142	121	129	140	150	127	135	147	157	131	139	152	162	
		MBh	32.5	33.5	36.2	38.9	31.8	32.7	35.4	38.0	31.0	31.9	34.5	37.1	30.2	31.1	33.7	36.2	28.7	29.6	32.0	34.4	26.6	27.4	29.7	31.8	
		S/T	0.84	0.75	0.57	0.36	0.87	0.78	0.59	0.38	0.89	0.80	0.60	0.39	0.92	0.82	0.62	0.40	0.95	0.85	0.65	0.42	0.96	0.86	0.65	0.42	
1350	ΔT	21	20	16	11	22	20	16	11	22	20	16	11	22	20	16	11	21	20	16	11	20	18	15	10		
	kW	2.68	2.68	2.68	2.68	2.68	2.68	2.69	2.69	2.69	2.69	2.69	2.69	2.69	2.69	2.69	2.69	2.69	2.69	2.69	2.69	2.69	2.69	2.69	2.69		
	Amps	10.9	10.9	10.9	10.9	10.9	10.9	10.9	11.0	11.0	11.0	11.0	11.0	11.0	11.0	11.0	11.0	11.0	11.0	11.1	11.1	11.0	11.1	11.1	11.1		
1175	Hi PR	218	235	248	258	245	263	278	290	278	299	316	330	317	341	360	376	356	384	405	422	394	424	448	467		
	Lo PR	107	114	124	132	113	120	131	140	117	125	136	145	123	131	143	153	129	138	150	160	134	142	155	165		
	MBh	33.5	34.5	37.3	40.0	32.7	33.7	36.4	39.1	31.9	32.9	35.6	38.2	31.1	32.1	34.7	37.3	29.6	30.5	33.0	35.4	27.4	28.2	30.5	32.8		
1350	S/T	0.88	0.79	0.59	0.38	0.91	0.81	0.62	0.40	0.93	0.83	0.63	0.41	0.96	0.86	0.65	0.42	1.00	0.89	0.68	0.44	1.00	0.90	0.68	0.44		
	ΔT	20	18	15	10	20	19	15	11	20	19	15	11	20	19	15	11	20	19	15	10	19	17	14	10		
	kW	2.68	2.68	2.68	2.68	2.68	2.68	2.69	2.69	2.69	2.69	2.69	2.69	2.69	2.69	2.69	2.69	2.69	2.69	2.69	2.69	2.69	2.69	2.69	2.69		
1175	Amps	10.9	10.9	10.9	10.9	10.9	10.9	10.9	11.0	11.0	11.0	11.0	11.0	11.0	11.0	11.0	11.0	11.0	11.0	11.1	11.1	11.0	11.1	11.1	11.1		
	Hi PR	220	237	250	261	247	266	281	293	281	302	319	333	320	344	364	379	360	387	409	427	398	428	452	471		
	Lo PR	108	115	125	134	114	121	133	141	119	126	138	147	125	133	145	154	131	139	152	161	135	144	157	167		

IDB: Entering Indoor Dry Bulb Temperature  
 High and low pressures are measured at the liquid and suction service valves.  
 Shaded area reflects ACCA (TVA) conditions  
 kW= Total system power  
 Amps = outdoor unit amps (comp.+fan)

COOLING DATA — DZ14SA0381A\* / ASPT42C14\*\* (CONT.)

IDB	AIRFLOW	OUTDOOR AMBIENT TEMPERATURE												ENTERING INDOOR WET BULB TEMPERATURE												
		65°F				75°F				85°F				95°F				105°F				115°F				
		59	63	67	71	59	63	67	71	59	63	67	71	59	63	67	71	59	63	67	71	59	63	67	71	
80	1050	MBh	31.4	32.1	34.3	36.7	30.7	31.4	33.5	35.8	30.0	30.6	32.7	35.0	29.2	29.9	31.9	34.1	27.8	28.4	30.3	32.4	25.7	26.3	28.1	30.0
	S/T	0.88	0.83	0.67	0.50	0.91	0.86	0.70	0.52	0.93	0.88	0.71	0.53	0.97	0.91	0.74	0.55	1.00	0.94	0.76	0.57	1.01	0.95	0.77	0.58	
	ΔT	24	23	20	16	25	23	20	16	25	24	20	16	25	24	21	16	24	23	20	16	23	22	19	15	
	kW	2.68	2.68	2.68	2.68	2.68	2.68	2.69	2.69	2.69	2.69	2.69	2.69	2.69	2.69	2.69	2.69	2.69	2.69	2.69	2.69	2.69	2.69	2.69	2.69	
	Amps	10.9	10.9	10.9	10.9	10.9	10.9	10.9	11.0	10.9	11.0	11.0	11.0	11.0	11.0	11.0	11.1	11.0	11.0	11.0	11.1	11.1	11.1	11.1	11.1	
	Hi PR	216	232	245	256	242	261	275	287	275	296	313	326	314	338	356	372	353	380	401	418	390	420	443	462	
	Lo PR	106	113	123	131	112	119	130	138	116	124	135	144	122	130	142	151	128	136	149	158	132	141	154	164	
	MBh	33.1	33.8	36.1	38.6	32.3	33.0	35.3	37.7	31.5	32.2	34.4	36.8	30.8	31.4	33.6	35.9	29.2	29.9	31.9	34.1	27.1	27.7	29.6	31.6	
	S/T	0.92	0.86	0.70	0.52	0.95	0.89	0.73	0.54	0.98	0.92	0.74	0.56	1.00	0.94	0.77	0.57	1.00	0.98	0.80	0.60	1.00	0.99	0.80	0.60	
	ΔT	24	23	20	16	24	23	20	16	24	23	20	16	24	23	20	16	23	23	20	16	21	21	19	15	
kW	2.68	2.68	2.68	2.68	2.68	2.68	2.69	2.69	2.69	2.69	2.69	2.69	2.69	2.69	2.69	2.69	2.69	2.69	2.69	2.69	2.69	2.69	2.69	2.69		
Amps	10.9	10.9	10.9	10.9	10.9	10.9	10.9	11.0	11.0	11.0	11.0	11.0	11.0	11.0	11.0	11.1	11.0	11.0	11.0	11.1	11.1	11.1	11.1	11.2		
Hi PR	220	237	250	261	247	266	281	293	281	302	319	333	320	344	364	379	360	387	409	427	398	428	452	472		
Lo PR	108	115	125	134	114	121	133	141	119	126	138	147	125	133	145	154	131	139	152	162	135	144	157	167		
MBh	34.1	34.8	37.2	39.8	33.3	34.0	36.3	38.8	32.5	33.2	35.5	37.9	31.7	32.4	34.6	37.0	30.1	30.8	32.9	35.1	27.9	28.5	30.5	32.6		
S/T	0.96	0.90	0.74	0.55	1.00	0.94	0.76	0.57	1.00	0.96	0.78	0.58	1.00	1.00	0.81	0.60	1.00	1.00	0.84	0.63	1.00	1.00	0.84	0.63		
ΔT	22	21	19	15	23	22	19	15	22	22	19	15	22	22	19	15	21	21	19	15	19	19	18	14		
kW	2.68	2.68	2.68	2.68	2.68	2.69	2.69	2.69	2.69	2.69	2.69	2.69	2.69	2.69	2.69	2.69	2.69	2.69	2.69	2.69	2.69	2.69	2.69	2.69		
Amps	10.9	10.9	10.9	10.9	10.9	10.9	10.9	11.0	11.0	11.0	11.0	11.0	11.0	11.0	11.0	11.1	11.0	11.0	11.0	11.1	11.1	11.1	11.1	11.2		
Hi PR	222	239	253	264	250	269	284	296	284	305	323	336	323	348	367	383	364	391	413	431	402	432	457	476		
Lo PR	109	116	127	135	115	123	134	143	120	127	139	148	126	134	146	156	132	140	153	163	136	145	158	169		
85	1050	MBh	32.0	32.6	34.1	36.4	31.2	31.8	33.3	35.6	30.5	31.1	32.6	34.7	29.7	30.3	31.8	33.9	28.3	28.8	30.2	32.2	26.2	26.7	27.9	29.8
	S/T	0.92	0.89	0.80	0.65	0.96	0.92	0.83	0.68	0.98	0.95	0.85	0.69	1.00	0.98	0.88	0.71	1.00	1.00	0.91	0.74	1.00	1.00	0.92	0.75	
	ΔT	26	25	24	21	26	26	24	21	26	26	24	21	26	26	24	21	25	25	24	21	23	23	23	20	
	kW	2.68	2.68	2.68	2.68	2.68	2.68	2.69	2.69	2.69	2.69	2.69	2.69	2.69	2.69	2.69	2.69	2.69	2.69	2.69	2.69	2.69	2.69	2.69	2.69	
	Amps	10.9	10.9	10.9	10.9	10.9	10.9	10.9	11.0	11.0	11.0	11.0	11.0	11.0	11.0	11.0	11.1	11.0	11.0	11.0	11.1	11.1	11.1	11.1	11.1	
	Hi PR	218	235	248	258	245	263	278	290	278	299	316	330	317	341	360	375	356	384	405	422	394	424	447	467	
	Lo PR	107	114	124	132	113	120	131	140	117	125	136	145	123	131	143	153	129	137	150	160	134	142	155	165	
	MBh	33.7	34.3	35.9	38.3	32.9	33.5	35.1	37.5	32.1	32.7	34.3	36.6	31.3	31.9	33.4	35.7	29.7	30.3	31.8	33.9	27.6	28.1	29.4	31.4	
	S/T	0.96	0.93	0.84	0.68	1.00	0.96	0.87	0.70	1.00	0.99	0.89	0.72	1.00	1.00	0.92	0.75	1.00	1.00	0.95	0.77	1.00	1.00	0.96	0.78	
	ΔT	25	25	24	20	26	25	24	21	25	25	24	21	25	25	24	21	23	24	24	21	22	22	22	19	
kW	2.68	2.68	2.68	2.68	2.68	2.69	2.69	2.69	2.69	2.69	2.69	2.69	2.69	2.69	2.69	2.69	2.69	2.69	2.69	2.69	2.69	2.69	2.69	2.69		
Amps	10.9	10.9	10.9	10.9	10.9	10.9	10.9	11.0	11.0	11.0	11.0	11.0	11.0	11.0	11.0	11.1	11.0	11.0	11.0	11.1	11.1	11.1	11.1	11.2		
Hi PR	222	239	253	264	250	269	284	296	284	305	323	336	323	348	367	383	364	391	413	431	402	432	457	476		
Lo PR	109	116	127	135	115	123	134	143	120	127	139	148	126	134	146	156	132	140	153	163	136	145	158	169		
MBh	34.7	35.3	37.0	39.5	33.9	34.5	36.2	38.6	33.1	33.7	35.3	37.7	32.3	32.9	34.4	36.7	30.6	31.2	32.7	34.9	28.4	28.9	30.3	32.3		
S/T	1.00	0.97	0.88	0.71	1.00	1.00	0.91	0.74	1.00	1.00	0.93	0.76	1.00	1.00	0.96	0.78	1.00	1.00	1.00	0.81	1.00	1.00	1.00	0.82		
ΔT	24	23	22	19	23	24	22	19	23	23	22	19	22	22	23	20	21	21	22	19	19	20	21	18		
kW	2.68	2.68	2.68	2.69	2.68	2.69	2.69	2.69	2.69	2.69	2.69	2.69	2.69	2.69	2.69	2.69	2.69	2.69	2.69	2.69	2.69	2.69	2.69	2.69		
Amps	10.9	10.9	10.9	10.9	10.9	10.9	11.0	11.0	11.0	11.0	11.0	11.0	11.0	11.0	11.0	11.1	11.0	11.0	11.0	11.1	11.1	11.1	11.1	11.2		
Hi PR	225	242	255	266	252	271	286	299	287	308	326	340	326	351	371	387	367	395	417	435	406	437	461	481		
Lo PR	110	117	128	136	116	124	135	144	121	129	141	150	127	135	148	157	133	142	155	165	138	147	160	170		

IDB: Entering Indoor Dry Bulb Temperature  
 High and low pressures are measured at the liquid and suction service valves.  
 Shaded area reflects AHRI conditions  
 kW= Total system power  
 Amps = outdoor unit amps (comp.+fan)

# COOLING DATA — DZ14SA0421A\* / ARPT42D14\*\*

IDB	AIRFLOW	OUTDOOR AMBIENT TEMPERATURE												ENTERING INDOOR WET BULB TEMPERATURE													
		65°F				75°F				85°F				95°F				105°F				115°F					
		59	63	67	71	59	63	67	71	59	63	67	71	59	63	67	71	59	63	67	71	59	63	67	71		
70	1225	MBh	37.5	38.9	42.6	-	36.6	37.9	41.6	-	35.7	37.0	40.6	-	34.9	36.1	39.6	-	33.1	34.3	37.6	-	30.7	31.8	34.8	-	
		S/T	0.67	0.56	0.39	-	0.69	0.58	0.40	-	0.71	0.59	0.41	-	0.73	0.61	0.42	-	0.76	0.63	0.44	-	0.76	0.64	0.44	-	
		ΔT	19	16	12	-	19	16	12	-	19	16	12	-	19	17	13	-	19	16	12	-	18	15	12	-	
	1330	kW	2.70	2.75	2.83	-	2.89	2.95	3.04	-	3.06	3.12	3.22	-	3.21	3.28	3.38	-	3.34	3.41	3.51	-	3.45	3.52	3.63	-	
		Amps	10.2	10.4	10.7	-	11.0	11.2	11.6	-	11.9	12.2	12.6	-	12.7	13.0	13.4	-	13.5	13.8	14.3	-	14.3	14.7	15.1	-	
		Hi PR	217	233	246	-	243	262	277	-	277	298	314	-	315	339	358	-	355	382	403	-	392	422	445	-	
	1575	Lo PR	102	108	118	-	107	114	125	-	112	119	130	-	117	125	136	-	123	131	143	-	127	135	148	-	
		MBh	38.1	39.4	43.2	-	37.2	38.5	42.2	-	36.3	37.6	41.2	-	35.4	36.7	40.2	-	33.6	34.9	38.2	-	31.2	32.3	35.4	-	
		S/T	0.69	0.58	0.40	-	0.72	0.60	0.41	-	0.73	0.61	0.42	-	0.76	0.63	0.44	-	0.79	0.66	0.45	-	0.79	0.66	0.46	-	
	75	1225	ΔT	18	16	12	-	18	16	12	-	18	16	12	-	19	16	12	-	18	16	12	-	17	15	11	-
			kW	2.72	2.77	2.85	2.94	2.91	2.97	3.06	3.15	3.08	3.15	3.24	3.34	3.24	3.30	3.40	3.51	3.36	3.43	3.54	3.65	3.47	3.55	3.66	3.78
			Amps	10.3	10.5	10.8	11.2	11.1	11.3	11.7	12.1	12.0	12.3	12.7	13.2	12.8	13.1	13.6	14.1	13.6	14.0	14.4	15.0	14.4	14.8	15.3	15.9
1330		Hi PR	219	236	249	260	246	265	279	291	280	301	318	331	318	343	362	377	358	385	407	425	396	426	450	469	
		Lo PR	103	109	119	127	109	115	126	134	113	120	131	140	118	126	138	147	124	132	144	154	128	137	149	159	
		MBh	38.7	39.8	43.1	46.3	37.8	38.9	42.1	45.2	36.9	38.0	41.1	44.1	36.0	37.1	40.1	43.1	34.2	35.2	38.1	40.9	31.7	32.6	35.3	37.9	
1575		S/T	0.79	0.70	0.53	0.34	0.81	0.73	0.55	0.35	0.83	0.75	0.56	0.36	0.86	0.77	0.58	0.38	0.89	0.80	0.61	0.39	0.90	0.81	0.61	0.39	
		ΔT	21	19	16	11	21	20	16	11	21	20	16	11	21	20	16	11	21	19	16	11	20	18	15	10	
		kW	2.75	2.81	2.89	2.98	2.95	3.01	3.10	3.20	3.13	3.19	3.29	3.39	3.28	3.35	3.45	3.56	3.41	3.48	3.59	3.70	3.52	3.60	3.71	3.83	
1575		Amps	10.4	10.7	11.0	11.4	11.2	11.5	11.9	12.3	12.2	12.5	12.9	13.4	13.0	13.3	13.8	14.3	13.9	14.2	14.7	15.2	14.7	15.0	15.5	16.1	
		Hi PR	223	240	253	264	250	269	284	296	284	306	323	337	324	349	368	384	364	392	414	432	403	433	458	477	
		Lo PR	104	111	121	129	110	117	128	137	115	122	133	142	121	128	140	149	126	134	147	156	131	139	152	162	
1575	MBh	39.9	41.0	44.4	47.7	38.9	40.1	43.4	46.6	38.0	39.1	42.4	45.5	37.1	38.2	41.3	44.4	35.2	36.3	39.3	42.1	32.6	33.6	36.4	39.0		
	S/T	0.82	0.74	0.56	0.36	0.85	0.76	0.58	0.37	0.87	0.78	0.59	0.38	0.90	0.81	0.61	0.39	0.94	0.84	0.63	0.41	0.95	0.85	0.64	0.41		
	ΔT	19	18	14	10	19	18	15	10	19	18	15	10	20	18	15	10	19	18	15	10	18	17	14	9		
1575	kW	2.77	2.83	2.91	3.00	2.97	3.03	3.12	3.22	3.15	3.21	3.31	3.42	3.30	3.37	3.48	3.59	3.44	3.51	3.62	3.73	3.55	3.63	3.74	3.86		
	Amps	10.5	10.8	11.1	11.5	11.3	11.6	12.0	12.4	12.3	12.6	13.0	13.5	13.1	13.5	13.9	14.4	14.0	14.3	14.8	15.3	14.8	15.2	15.7	16.3		
	Hi PR	225	242	256	267	253	272	287	299	287	309	326	340	327	352	372	388	368	396	418	436	407	438	462	482		
1575	Lo PR	106	112	123	131	112	119	130	138	116	123	135	143	122	130	141	151	128	136	148	158	132	140	153	163		

IDB: Entering Indoor Dry Bulb Temperature  
 High and low pressures are measured at the liquid and suction service valves.  
 Shaded area reflects ACCA (TVA) conditions  
 kW= Total system power  
 Amps = outdoor unit amps (comp.+fan)

COOLING DATA — DZ14SA0421A\* / ARPT42D14\*\* (CONT.)

IDB	AIRFLOW	OUTDOOR AMBIENT TEMPERATURE												ENTERING INDOOR WET BULB TEMPERATURE											
		65°F				75°F				85°F				95°F				105°F				115°F			
		59	63	67	71	59	63	67	71	59	63	67	71	59	63	67	71	59	63	67	71	59	63	67	71
1225	MBh	38.8	39.6	42.4	45.3	37.9	38.7	41.4	44.2	37.0	37.8	40.4	43.2	36.1	36.9	39.4	42.1	34.3	35.0	37.4	40.0	31.8	32.5	34.7	37.1
	S/T	0.83	0.78	0.63	0.47	0.86	0.81	0.66	0.49	0.88	0.83	0.67	0.50	0.91	0.85	0.70	0.52	0.95	0.89	0.72	0.54	0.95	0.89	0.73	0.54
	ΔT	24	23	20	16	24	23	20	16	25	23	20	16	25	24	21	16	24	23	20	16	23	22	19	15
	kW	2.74	2.79	2.88	2.96	2.94	2.99	3.08	3.18	3.11	3.17	3.27	3.37	3.26	3.33	3.43	3.54	3.39	3.46	3.57	3.68	3.50	3.58	3.69	3.81
	Amps	10.4	10.6	10.9	11.3	11.2	11.4	11.8	12.2	12.1	12.4	12.8	13.3	12.9	13.3	13.7	14.2	13.8	14.1	14.6	15.1	14.6	14.9	15.4	16.0
	Hi PR	221	238	251	262	248	267	282	294	282	304	321	335	322	346	365	381	362	389	411	429	400	430	454	474
Lo PR	104	110	121	128	110	117	127	136	114	121	132	141	120	127	139	148	125	133	146	155	130	138	151	160	
1330	MBh	39.4	40.2	43.0	46.0	38.5	39.3	42.0	44.9	37.6	38.4	41.0	43.8	36.6	37.4	40.0	42.8	34.8	35.6	38.0	40.6	32.2	32.9	35.2	37.6
	S/T	0.86	0.81	0.66	0.49	0.89	0.84	0.68	0.51	0.92	0.86	0.70	0.52	0.94	0.89	0.72	0.54	0.98	0.92	0.75	0.56	0.99	0.93	0.75	0.56
	ΔT	23	22	20	16	24	23	20	16	24	23	20	16	24	23	20	16	24	23	20	16	22	21	18	15
	kW	2.77	2.83	2.91	3.00	2.97	3.03	3.13	3.22	3.15	3.21	3.31	3.42	3.30	3.37	3.48	3.59	3.44	3.51	3.62	3.73	3.55	3.63	3.74	3.86
	Amps	10.5	10.8	11.1	11.5	11.3	11.6	12.0	12.4	12.3	12.6	13.0	13.5	13.1	13.5	13.9	14.4	14.0	14.3	14.8	15.3	14.8	15.2	15.7	16.3
	Hi PR	225	242	256	267	253	272	287	299	287	309	326	340	327	352	372	388	368	396	418	436	407	438	462	482
Lo PR	106	112	123	131	112	119	130	138	116	123	135	143	122	130	141	151	128	136	148	158	132	140	153	163	
1575	MBh	40.6	41.5	44.3	47.3	39.6	40.5	43.3	46.2	38.7	39.5	42.2	45.1	37.7	38.6	41.2	44.0	35.9	36.6	39.1	41.8	33.2	33.9	36.3	38.8
	S/T	0.90	0.85	0.69	0.52	0.94	0.88	0.71	0.53	0.96	0.90	0.73	0.55	1.00	0.93	0.76	0.57	1.00	0.96	0.78	0.59	1.00	1.00	0.79	0.59
	ΔT	21	20	18	14	22	21	18	14	22	21	18	14	22	21	18	15	21	21	18	14	19	20	17	13
	kW	2.80	2.85	2.93	3.02	3.00	3.06	3.15	3.25	3.17	3.24	3.34	3.44	3.33	3.40	3.51	3.62	3.46	3.54	3.65	3.77	3.58	3.65	3.77	3.89
	Amps	10.6	10.9	11.2	11.6	11.4	11.7	12.1	12.5	12.4	12.7	13.1	13.6	13.3	13.6	14.0	14.6	14.1	14.4	14.9	15.5	14.9	15.3	15.8	16.4
	Hi PR	227	245	258	269	255	275	290	302	290	312	330	344	330	356	376	392	372	400	422	441	411	442	467	487
Lo PR	107	113	124	132	113	120	131	139	117	125	136	145	123	131	143	152	129	137	150	159	133	142	155	165	
1225	MBh	39.5	40.2	42.1	45.0	38.6	39.3	41.2	43.9	37.6	38.4	40.2	42.9	36.7	37.4	39.2	41.8	34.9	35.6	37.2	39.7	32.3	32.9	34.5	36.8
	S/T	0.87	0.84	0.76	0.62	0.90	0.87	0.79	0.64	0.93	0.89	0.81	0.65	0.96	0.92	0.83	0.67	0.99	0.96	0.86	0.70	1.00	1.00	0.87	0.71
	ΔT	26	25	24	21	26	26	24	21	26	26	24	21	26	26	24	21	26	26	24	21	24	24	23	20
	kW	2.76	2.81	2.90	2.98	2.96	3.02	3.11	3.20	3.13	3.20	3.29	3.40	3.29	3.35	3.46	3.57	3.42	3.49	3.60	3.71	3.53	3.60	3.72	3.84
	Amps	10.4	10.7	11.0	11.4	11.3	11.5	11.9	12.4	12.2	12.5	12.9	13.4	13.1	13.4	13.8	14.3	13.9	14.2	14.7	15.2	14.7	15.1	15.6	16.2
	Hi PR	223	241	254	265	251	270	285	297	285	307	324	338	325	350	369	385	365	393	415	433	404	435	459	479
Lo PR	105	111	122	130	111	118	129	137	115	122	134	142	121	129	140	150	127	135	147	157	131	139	152	162	
1330	MBh	40.1	40.9	42.8	45.6	39.1	39.9	41.8	44.6	38.2	39.0	40.8	43.5	37.3	38.0	39.8	42.5	35.4	36.1	37.8	40.3	32.8	33.4	35.0	37.4
	S/T	0.90	0.87	0.79	0.64	0.94	0.90	0.81	0.66	0.96	0.93	0.84	0.68	0.99	0.96	0.86	0.70	1.00	0.99	0.89	0.73	1.00	1.00	0.90	0.73
	ΔT	25	25	23	20	25	25	24	20	25	25	24	20	26	25	24	21	24	25	23	20	23	23	22	19
	kW	2.80	2.85	2.93	3.02	3.00	3.06	3.15	3.25	3.17	3.24	3.34	3.44	3.33	3.40	3.51	3.62	3.46	3.54	3.65	3.77	3.58	3.65	3.77	3.89
	Amps	10.6	10.9	11.2	11.6	11.4	11.7	12.1	12.5	12.4	12.7	13.1	13.6	13.3	13.6	14.0	14.6	14.1	14.4	14.9	15.5	14.9	15.3	15.8	16.4
	Hi PR	227	245	258	269	255	275	290	302	290	312	330	344	330	356	376	392	372	400	422	441	411	442	467	487
Lo PR	107	113	124	132	113	120	131	139	117	125	136	145	123	131	143	152	129	137	150	159	133	142	155	165	
1575	MBh	41.3	42.1	44.1	47.0	40.3	41.1	43.0	45.9	39.4	40.1	42.0	44.8	38.4	39.1	41.0	43.7	36.5	37.2	38.9	41.5	33.8	34.4	36.1	38.5
	S/T	0.95	0.91	0.82	0.67	0.98	0.95	0.85	0.69	1.00	0.97	0.88	0.71	1.00	1.00	0.90	0.73	1.00	1.00	0.94	0.76	1.00	1.00	0.95	0.77
	ΔT	23	22	21	18	23	23	21	19	23	23	21	19	22	23	22	19	21	22	21	18	20	20	20	17
	kW	2.82	2.87	2.96	3.05	3.02	3.08	3.17	3.27	3.20	3.26	3.36	3.47	3.36	3.43	3.53	3.65	3.49	3.56	3.68	3.80	3.61	3.68	3.80	3.92
	Amps	10.7	10.9	11.3	11.7	11.5	11.8	12.2	12.7	12.5	12.8	13.3	13.7	13.4	13.7	14.2	14.7	14.2	14.6	15.1	15.6	15.1	15.4	16.0	16.6
	Hi PR	230	247	261	272	258	277	293	305	293	315	333	347	334	359	379	396	375	404	427	445	415	446	471	492
Lo PR	108	115	125	133	114	121	132	141	118	126	137	146	124	132	144	154	130	138	151	161	135	143	156	167	

IDB: Entering Indoor Dry Bulb Temperature  
 High and low pressures are measured at the liquid and suction service valves.  
 Shaded area reflects AHRI conditions  
 kW= Total system power  
 Amps = outdoor unit amps (comp.+fan)

COOLING DATA — DZ14SA0481A\* / ARUF48D14\*\*

IDB	AIRFLOW	OUTDOOR AMBIENT TEMPERATURE												ENTERING INDOOR WET BULB TEMPERATURE											
		65°F				75°F				85°F				95°F				105°F				115°F			
		59	63	67	71	59	63	67	71	59	63	67	71	59	63	67	71	59	63	67	71	59	63	67	71
70	MBh	42.4	43.9	48.1	-	41.4	42.9	47.0	-	40.4	41.9	45.9	-	39.4	40.9	44.8	-	37.5	38.8	42.5	-	34.7	36.0	39.4	-
	S/T	0.69	0.58	0.40	-	0.72	0.60	0.41	-	0.73	0.61	0.42	-	0.76	0.63	0.44	-	0.79	0.66	0.45	-	0.79	0.66	0.46	-
	ΔT	19	17	13	-	19	17	13	-	19	17	13	-	20	17	13	-	19	17	13	-	18	16	12	-
	kW	3.18	3.24	3.34	-	3.41	3.48	3.58	-	3.61	3.68	3.80	-	3.79	3.86	3.98	-	3.94	4.02	4.14	-	4.07	4.15	4.28	-
	Amps	11.8	12.1	12.5	-	12.8	13.1	13.5	-	13.9	14.2	14.7	-	14.9	15.2	15.7	-	15.8	16.2	16.7	-	16.7	17.2	17.7	-
	Hi PR	216	233	246	-	243	261	276	-	276	297	314	-	314	338	357	-	354	380	402	-	391	420	444	-
	Lo PR	102	109	118	-	108	115	125	-	112	119	130	-	118	125	137	-	123	131	143	-	128	136	148	-
	MBh	42.8	44.4	48.6	-	41.8	43.3	47.5	-	40.8	42.3	46.4	-	39.8	41.3	45.2	-	37.8	39.2	43.0	-	35.0	36.3	39.8	-
	S/T	0.70	0.58	0.40	-	0.72	0.60	0.42	-	0.74	0.62	0.43	-	0.77	0.64	0.44	-	0.79	0.66	0.46	-	0.80	0.67	0.46	-
	ΔT	19	16	12	-	19	17	13	-	19	17	13	-	19	17	13	-	19	16	13	-	18	15	12	-
kW	3.21	3.28	3.37	-	3.44	3.51	3.62	-	3.65	3.72	3.83	-	3.82	3.90	4.03	-	3.98	4.06	4.19	-	4.11	4.20	4.33	-	
Amps	12.0	12.3	12.7	-	12.9	13.3	13.7	-	14.1	14.4	14.9	-	15.0	15.4	15.9	-	16.0	16.4	16.9	-	16.9	17.4	18.0	-	
Hi PR	219	236	249	-	246	265	279	-	280	301	318	-	318	343	362	-	358	385	407	-	396	426	450	-	
Lo PR	103	110	120	-	109	116	127	-	114	121	132	-	119	127	138	-	125	133	145	-	129	137	150	-	
MBh	44.3	45.9	50.3	-	43.3	44.9	49.1	-	42.2	43.8	48.0	-	41.2	42.7	46.8	-	39.2	40.6	44.5	-	36.3	37.6	41.2	-	
S/T	0.74	0.62	0.43	-	0.77	0.64	0.44	-	0.79	0.66	0.46	-	0.81	0.68	0.47	-	0.84	0.70	0.49	-	0.85	0.71	0.49	-	
ΔT	17	15	11	-	17	15	11	-	17	15	11	-	17	15	11	-	17	15	11	-	16	14	10	-	
kW	3.26	3.32	3.42	-	3.49	3.57	3.67	-	3.70	3.78	3.89	-	3.88	3.97	4.09	-	4.04	4.13	4.26	-	4.17	4.26	4.40	-	
Amps	12.2	12.5	12.9	-	13.2	13.5	13.9	-	14.3	14.7	15.2	-	15.3	15.7	16.2	-	16.3	16.7	17.3	-	17.3	17.7	18.3	-	
Hi PR	223	240	254	-	251	270	285	-	285	307	324	-	325	349	369	-	365	393	415	-	404	434	459	-	
Lo PR	105	112	122	-	111	119	129	-	116	123	134	-	122	129	141	-	127	136	148	-	132	140	153	-	
75	MBh	43.1	44.4	48.0	51.6	42.1	43.3	46.9	50.4	41.1	42.3	45.8	49.2	40.1	41.3	44.7	48.0	38.1	39.2	42.4	45.6	35.3	36.3	39.3	42.2
	S/T	0.78	0.70	0.53	0.34	0.81	0.73	0.55	0.35	0.83	0.75	0.56	0.36	0.86	0.77	0.58	0.37	0.89	0.80	0.60	0.39	0.90	0.81	0.61	0.39
	ΔT	22	20	17	12	22	21	17	12	23	21	17	12	23	21	17	12	22	21	17	12	21	19	16	11
	kW	3.20	3.27	3.36	3.47	3.43	3.50	3.61	3.72	3.64	3.71	3.83	3.95	3.82	3.90	4.02	4.14	3.97	4.05	4.18	4.31	4.10	4.19	4.32	4.46
	Amps	12.0	12.2	12.6	13.1	12.9	13.2	13.7	14.2	14.0	14.4	14.8	15.4	15.0	15.4	15.9	16.5	16.0	16.3	16.9	17.5	16.9	17.3	17.9	18.6
	Hi PR	218	235	248	259	245	264	279	290	279	300	317	330	317	342	361	376	357	384	406	423	395	425	448	468
	Lo PR	103	110	120	127	109	116	126	135	113	120	131	140	119	126	138	147	125	133	145	154	129	137	150	159
	MBh	43.5	44.8	48.5	52.1	42.5	43.8	47.4	50.9	41.5	42.7	46.3	49.7	40.5	41.7	45.1	48.4	38.5	39.6	42.9	46.0	35.6	36.7	39.7	42.6
	S/T	0.79	0.71	0.54	0.35	0.82	0.73	0.56	0.36	0.84	0.75	0.57	0.37	0.87	0.78	0.59	0.38	0.90	0.81	0.61	0.39	0.91	0.81	0.62	0.40
	ΔT	22	20	17	11	22	20	17	12	22	20	17	12	22	21	17	12	22	20	17	11	21	19	16	11
kW	3.24	3.30	3.40	3.50	3.47	3.54	3.65	3.76	3.67	3.75	3.86	3.99	3.86	3.94	4.06	4.19	4.01	4.09	4.22	4.36	4.14	4.23	4.36	4.51	
Amps	12.1	12.4	12.8	13.3	13.1	13.4	13.8	14.3	14.2	14.5	15.0	15.6	15.2	15.5	16.1	16.7	16.1	16.5	17.1	17.7	17.1	17.5	18.1	18.8	
Hi PR	221	238	251	262	248	267	282	294	282	304	321	335	322	346	366	381	362	389	411	429	400	430	454	474	
Lo PR	104	111	121	129	110	117	128	136	115	122	133	142	120	128	140	149	126	134	147	156	131	139	152	161	
MBh	45.1	46.4	50.2	53.9	44.0	45.3	49.1	52.6	43.0	44.2	47.9	51.4	41.9	43.2	46.7	50.1	39.8	41.0	44.4	47.6	36.9	38.0	41.1	44.1	
S/T	0.84	0.75	0.57	0.37	0.87	0.78	0.59	0.38	0.90	0.80	0.61	0.39	0.92	0.83	0.63	0.40	0.96	0.86	0.65	0.42	0.97	0.87	0.65	0.42	
ΔT	19	18	15	10	20	18	15	10	20	18	15	10	20	18	15	10	20	18	15	10	18	17	14	9	
kW	3.28	3.35	3.45	3.55	3.52	3.59	3.70	3.82	3.73	3.81	3.93	4.05	3.92	4.00	4.12	4.25	4.07	4.16	4.29	4.43	4.21	4.30	4.44	4.58	
Amps	12.3	12.6	13.0	13.5	13.3	13.6	14.1	14.6	14.5	14.8	15.3	15.9	15.4	15.8	16.4	17.0	16.4	16.8	17.4	18.1	17.4	17.9	18.5	19.2	
Hi PR	226	243	256	268	253	273	288	300	288	310	327	341	328	353	373	389	369	397	419	437	408	439	463	483	
Lo PR	107	113	124	132	113	120	131	139	117	124	136	145	123	131	143	152	129	137	150	159	133	142	155	165	

IDB: Entering Indoor Dry Bulb Temperature  
 High and low pressures are measured at the liquid and suction service valves.  
 Shaded area reflects ACCA (TVA) conditions  
 kW= Total system power  
 Amps = outdoor unit amps (comp.+fan)



COOLING DATA — DZ14SA0481A\* / ARUF48D14\*\* (CONT.)

IDB	AIRFLOW	OUTDOOR AMBIENT TEMPERATURE																									
		65°F				75°F				85°F				95°F				105°F				115°F					
		59	63	67	71	59	63	67	71	59	63	67	71	59	63	67	71	59	63	67	71	59	63	67	71		
80	1400	MBh	43.9	44.8	47.9	51.2	42.8	43.8	46.8	50.0	41.8	42.7	45.7	48.8	40.8	41.7	44.6	47.6	38.8	39.6	42.3	45.2	35.9	36.7	39.2	41.9	
		S/T	0.86	0.81	0.66	0.49	0.89	0.84	0.68	0.51	0.91	0.86	0.70	0.52	0.94	0.89	0.72	0.54	0.98	0.92	0.75	0.56	0.99	0.93	0.75	0.56	
		ΔT	25	24	21	17	25	24	21	17	25	24	21	17	25	24	21	17	25	24	21	17	23	22	19	16	
	1450	kW	3.23	3.29	3.39	3.49	3.46	3.53	3.64	3.75	3.67	3.74	3.86	3.98	3.85	3.93	4.05	4.18	4.00	4.08	4.21	4.35	4.13	4.22	4.35	4.49	
		Amps	12.1	12.3	12.7	13.2	13.0	13.3	13.8	14.3	14.2	14.5	15.0	15.5	15.1	15.5	16.0	16.6	16.1	16.5	17.0	17.7	17.1	17.5	18.1	18.8	
		Hi PR	221	237	251	261	248	266	281	293	282	303	320	334	321	345	364	380	361	388	410	428	399	429	453	472	
	1800	Lo PR	104	111	121	129	110	117	128	136	114	122	133	141	120	128	139	149	126	134	146	156	130	138	151	161	
		MBh	44.3	45.3	48.4	51.7	43.3	44.2	47.3	50.5	42.3	43.2	46.1	49.3	41.2	42.1	45.0	48.1	39.2	40.0	42.8	45.7	36.3	37.1	39.6	42.3	
		S/T	0.87	0.82	0.66	0.50	0.90	0.85	0.69	0.51	0.92	0.87	0.71	0.53	0.95	0.89	0.73	0.54	0.99	0.93	0.76	0.56	1.00	0.94	0.76	0.57	
	85	1400	ΔT	24	23	20	16	25	24	21	16	25	24	21	16	25	24	21	16	25	24	20	16	23	22	19	15
			kW	3.26	3.32	3.42	3.53	3.50	3.57	3.67	3.79	3.70	3.78	3.90	4.02	3.89	3.97	4.09	4.22	4.04	4.13	4.26	4.39	4.18	4.26	4.40	4.54
			Amps	12.2	12.5	12.9	13.4	13.2	13.5	13.9	14.5	14.3	14.7	15.2	15.7	15.3	15.7	16.2	16.8	16.3	16.7	17.3	17.9	17.3	17.7	18.3	19.0
1450		Hi PR	224	241	254	265	251	270	285	297	285	307	324	338	325	350	369	385	366	393	415	433	404	435	459	479	
		Lo PR	105	112	123	130	111	119	129	138	116	123	135	143	122	129	141	150	127	136	148	158	132	140	153	163	
		MBh	45.9	46.9	50.1	53.5	44.8	45.8	48.9	52.3	43.7	44.7	47.7	51.0	42.7	43.6	46.6	49.8	40.5	41.4	44.2	47.3	37.5	38.4	41.0	43.8	
1800		S/T	0.92	0.87	0.71	0.53	0.96	0.90	0.73	0.55	1.00	0.92	0.75	0.56	1.00	0.95	0.77	0.58	1.00	1.00	0.80	0.60	1.00	1.00	0.81	0.61	
		ΔT	22	21	18	14	22	21	18	15	22	21	18	15	22	21	18	15	21	21	18	15	19	20	17	14	
		kW	3.31	3.37	3.48	3.58	3.55	3.62	3.73	3.85	3.76	3.84	3.96	4.08	3.95	4.03	4.16	4.29	4.11	4.19	4.33	4.47	4.24	4.33	4.47	4.62	
1400		Amps	12.4	12.7	13.1	13.6	13.4	13.7	14.2	14.7	14.6	14.9	15.4	16.0	15.6	16.0	16.5	17.1	16.6	17.0	17.6	18.2	17.6	18.0	18.6	19.3	
		Hi PR	228	245	259	270	256	275	291	303	291	313	331	345	331	357	377	393	373	401	424	442	412	443	468	488	
		Lo PR	108	114	125	133	114	121	132	141	118	126	137	146	124	132	144	153	130	138	151	161	135	143	156	166	
1450	MBh	44.6	45.5	47.7	50.8	43.6	44.4	46.5	49.7	42.6	43.4	45.4	48.5	41.5	42.3	44.3	47.3	39.4	40.2	42.1	44.9	36.5	37.2	39.0	41.6		
	S/T	0.90	0.87	0.79	0.64	0.94	0.90	0.81	0.66	0.96	0.93	0.83	0.68	0.99	0.96	0.86	0.70	1.00	1.00	0.89	0.73	1.00	1.00	0.90	0.73		
	ΔT	26	26	25	21	27	26	25	22	27	26	25	22	27	27	25	22	26	26	25	21	24	24	23	20		
1800	kW	3.25	3.32	3.42	3.52	3.49	3.56	3.67	3.78	3.69	3.77	3.89	4.01	3.88	3.96	4.08	4.21	4.03	4.12	4.25	4.38	4.17	4.25	4.39	4.53		
	Amps	12.2	12.5	12.9	13.3	13.1	13.5	13.9	14.4	14.3	14.6	15.1	15.7	15.3	15.6	16.2	16.8	16.2	16.6	17.2	17.9	17.2	17.6	18.2	18.9		
	Hi PR	223	240	253	264	250	269	284	296	284	306	323	337	324	349	368	384	364	392	414	432	403	433	457	477		
1400	Lo PR	105	112	122	130	111	118	129	137	115	123	134	143	121	129	141	150	127	135	148	157	131	140	153	163		
	MBh	45.1	46.0	48.1	51.4	44.0	44.9	47.0	50.2	43.0	43.8	45.9	49.0	41.9	42.8	44.8	47.8	39.8	40.6	42.5	45.4	36.9	37.6	39.4	42.0		
	S/T	0.91	0.88	0.79	0.64	0.94	0.91	0.82	0.67	0.97	0.93	0.84	0.68	1.00	0.96	0.87	0.71	1.00	1.00	0.90	0.73	1.00	1.00	0.91	0.74		
1450	ΔT	26	26	24	21	26	26	25	21	26	26	25	21	27	26	25	21	25	26	24	21	23	24	23	20		
	kW	3.28	3.35	3.45	3.55	3.52	3.59	3.70	3.82	3.73	3.81	3.93	4.05	3.92	4.00	4.12	4.26	4.07	4.16	4.29	4.43	4.21	4.30	4.44	4.58		
	Amps	12.3	12.6	13.0	13.5	13.3	13.6	14.1	14.6	14.5	14.8	15.3	15.9	15.5	15.8	16.4	17.0	16.4	16.9	17.4	18.1	17.4	17.9	18.5	19.2		
1800	Hi PR	226	243	257	268	253	273	288	300	288	310	327	341	328	353	373	389	369	397	420	438	408	439	464	483		
	Lo PR	107	113	124	132	113	120	131	139	117	124	136	145	123	131	143	152	129	137	150	159	133	142	155	165		
	MBh	46.7	47.6	49.8	53.1	45.6	46.5	48.7	51.9	44.5	45.4	47.5	50.7	43.4	44.2	46.3	49.4	41.2	42.0	44.0	47.0	38.2	38.9	40.8	43.5		
1400	S/T	0.97	0.93	0.84	0.68	1.00	0.97	0.87	0.71	1.00	0.99	0.90	0.73	1.00	1.00	0.93	0.75	1.00	1.00	0.96	0.78	1.00	1.00	0.97	0.79		
	ΔT	23	23	21	19	23	23	22	19	23	23	22	19	22	23	22	19	21	21	22	19	20	20	20	17		
	kW	3.33	3.40	3.50	3.61	3.58	3.65	3.76	3.88	3.79	3.87	3.99	4.11	3.98	4.06	4.19	4.32	4.14	4.23	4.36	4.50	4.28	4.37	4.51	4.65		
1450	Amps	12.5	12.8	13.3	13.7	13.5	13.9	14.3	14.9	14.7	15.1	15.6	16.2	15.7	16.1	16.7	17.3	16.8	17.2	17.7	18.4	17.8	18.2	18.8	19.5		
	Hi PR	230	248	262	273	258	278	294	306	294	316	334	348	335	360	380	397	377	405	428	446	416	448	473	493		
	Lo PR	109	116	126	134	115	122	133	142	119	127	139	148	125	133	146	155	131	140	153	162	136	145	158	168		

IDB: Entering Indoor Dry Bulb Temperature  
 High and low pressures are measured at the liquid and suction service valves.  
 Shaded area reflects AHRI conditions  
 kW= Total system power  
 Amps = outdoor unit amps (comp.+fan)

# COOLING DATA — DZ14SA0601A\* / CA\*F4961\*6D\*+MBR2000\*\* -1+TXV

IDB	AIRFLOW	OUTDOOR AMBIENT TEMPERATURE												ENTERING INDOOR WET BULB TEMPERATURE											
		65°F				75°F				85°F				95°F				105°F				115°F			
		59	63	67	71	59	63	67	71	59	63	67	71	59	63	67	71	59	63	67	71	59	63	67	71
1750	MBh	53.2	55.2	60.4	-	52.0	53.9	59.0	-	50.7	52.6	57.6	-	49.5	51.3	56.2	-	47.0	48.7	53.4	-	43.6	45.2	49.5	-
	S/T	0.67	0.56	0.39	-	0.69	0.58	0.40	-	0.71	0.59	0.41	-	0.73	0.61	0.42	-	0.76	0.63	0.44	-	0.77	0.64	0.44	-
	ΔT	19	16	12	-	19	16	12	-	19	16	12	-	19	16	12	-	19	16	12	-	18	15	12	-
	kW	3.68	3.75	3.86	-	3.94	4.02	4.13	-	4.17	4.25	4.38	-	4.36	4.45	4.59	-	4.53	4.63	4.77	-	4.68	4.78	4.93	-
	Amps	13.2	13.5	13.9	-	14.2	14.6	15.1	-	15.5	15.9	16.4	-	16.5	17.0	17.5	-	17.6	18.1	18.7	-	18.7	19.1	19.8	-
	Hi PR	222	239	253	-	250	269	284	-	284	305	323	-	323	348	367	-	364	391	413	-	402	432	457	-
Lo PR	96	102	112	-	102	108	118	-	106	112	123	-	111	118	129	-	116	124	135	-	120	128	140	-	
1800	MBh	53.8	55.7	61.0	-	52.5	54.4	59.6	-	51.3	53.1	58.2	-	50.0	51.8	56.8	-	47.5	49.2	53.9	-	44.0	45.6	50.0	-
	S/T	0.67	0.56	0.39	-	0.70	0.58	0.40	-	0.72	0.60	0.41	-	0.74	0.62	0.43	-	0.77	0.64	0.44	-	0.77	0.65	0.45	-
	ΔT	18	16	12	-	19	16	12	-	19	16	12	-	19	16	12	-	19	16	12	-	17	15	11	-
	kW	3.72	3.79	3.90	-	3.98	4.06	4.17	-	4.21	4.29	4.42	-	4.41	4.50	4.63	-	4.58	4.67	4.82	-	4.73	4.83	4.98	-
	Amps	13.3	13.6	14.1	-	14.4	14.8	15.2	-	15.7	16.0	16.6	-	16.7	17.2	17.7	-	17.8	18.3	18.9	-	18.9	19.4	20.0	-
	Hi PR	225	243	256	-	253	272	287	-	288	309	327	-	328	352	372	-	368	397	419	-	407	438	463	-
Lo PR	97	104	113	-	103	109	119	-	107	114	124	-	112	119	130	-	118	125	137	-	122	130	141	-	
2250	MBh	55.6	57.7	63.2	-	54.3	56.3	61.7	-	53.0	55.0	60.2	-	51.8	53.6	58.8	-	49.2	51.0	55.8	-	45.5	47.2	51.7	-
	S/T	0.72	0.60	0.41	-	0.74	0.62	0.43	-	0.76	0.64	0.44	-	0.79	0.66	0.45	-	0.81	0.68	0.47	-	0.82	0.69	0.48	-
	ΔT	16	14	11	-	16	14	11	-	16	14	11	-	17	14	11	-	16	14	11	-	15	13	10	-
	kW	3.77	3.84	3.95	-	4.04	4.12	4.24	-	4.27	4.36	4.49	-	4.48	4.57	4.71	-	4.65	4.75	4.89	-	4.80	4.90	5.06	-
	Amps	13.6	13.9	14.3	-	14.7	15.0	15.5	-	15.9	16.3	16.9	-	17.1	17.5	18.1	-	18.2	18.6	19.2	-	19.3	19.7	20.4	-
	Hi PR	230	247	261	-	258	278	293	-	293	316	333	-	334	360	380	-	376	404	427	-	415	447	472	-
Lo PR	99	106	115	-	105	112	122	-	109	116	127	-	115	122	133	-	120	128	139	-	124	132	144	-	
75	MBh	54.1	55.7	60.3	64.7	52.9	54.4	58.9	63.2	51.6	53.1	57.5	61.7	50.3	51.8	56.1	60.2	47.8	49.2	53.3	57.2	44.3	45.6	49.4	53.0
	S/T	0.76	0.68	0.51	0.33	0.79	0.70	0.53	0.34	0.81	0.72	0.55	0.35	0.83	0.74	0.56	0.36	0.86	0.77	0.58	0.38	0.87	0.78	0.59	0.38
	ΔT	22	20	16	11	22	20	16	11	22	20	16	11	22	20	16	11	22	20	16	11	20	19	15	11
	kW	3.71	3.78	3.89	4.00	3.97	4.05	4.17	4.29	4.20	4.28	4.41	4.54	4.40	4.49	4.62	4.77	4.57	4.66	4.81	4.96	4.72	4.82	4.97	5.12
	Amps	13.3	13.6	14.0	14.6	14.4	14.7	15.2	15.8	15.6	16.0	16.5	17.2	16.7	17.1	17.7	18.4	17.8	18.2	18.8	19.6	18.9	19.3	20.0	20.7
	Hi PR	225	242	255	266	252	271	286	299	287	309	326	340	327	351	371	387	367	395	418	435	406	437	461	481
Lo PR	97	103	113	120	103	109	119	127	107	113	124	132	112	119	130	139	117	125	136	145	121	129	141	150	
1750	MBh	54.7	56.3	60.9	65.4	53.4	55.0	59.5	63.9	52.1	53.7	58.1	62.3	50.9	52.4	56.7	60.8	48.3	49.7	53.8	57.8	44.7	46.1	49.9	53.5
	S/T	0.77	0.68	0.52	0.33	0.79	0.71	0.54	0.35	0.81	0.73	0.55	0.35	0.84	0.75	0.57	0.37	0.87	0.78	0.59	0.38	0.88	0.79	0.59	0.38
	ΔT	21	20	16	11	22	20	16	11	22	20	16	11	22	20	16	11	22	20	16	11	20	18	15	10
	kW	3.75	3.82	3.93	4.04	4.01	4.09	4.21	4.33	4.24	4.32	4.45	4.59	4.44	4.53	4.67	4.82	4.62	4.71	4.86	5.01	4.77	4.87	5.02	5.18
	Amps	13.4	13.8	14.2	14.8	14.5	14.9	15.4	16.0	15.8	16.2	16.7	17.4	16.9	17.3	17.9	18.6	18.0	18.4	19.1	19.8	19.1	19.6	20.2	21.0
	Hi PR	228	245	259	270	255	275	290	303	291	313	330	344	331	356	376	392	372	401	423	441	411	443	467	487
Lo PR	98	105	114	122	104	111	121	129	108	115	125	134	113	121	132	140	119	126	138	147	123	131	143	152	
1800	MBh	56.6	58.3	63.1	67.7	55.3	56.9	61.6	66.1	53.9	55.5	60.1	64.5	52.6	54.2	58.7	63.0	50.0	51.5	55.7	59.8	46.3	47.7	51.6	55.4
	S/T	0.81	0.73	0.55	0.35	0.84	0.75	0.57	0.37	0.86	0.77	0.59	0.38	0.89	0.80	0.60	0.39	0.93	0.83	0.63	0.40	0.93	0.84	0.63	0.41
	ΔT	19	17	14	10	19	18	14	10	19	18	14	10	19	18	14	10	19	17	14	10	18	16	13	9
	kW	3.80	3.87	3.98	4.10	4.07	4.15	4.27	4.40	4.30	4.39	4.52	4.66	4.51	4.60	4.74	4.89	4.69	4.79	4.93	5.09	4.84	4.94	5.10	5.26
	Amps	13.7	14.0	14.5	15.0	14.8	15.2	15.7	16.3	16.1	16.5	17.0	17.7	17.2	17.6	18.2	18.9	18.3	18.8	19.4	20.2	19.4	19.9	20.6	21.4
	Hi PR	232	250	264	275	261	280	296	309	296	319	337	351	337	363	384	400	380	409	431	450	420	451	477	497
Lo PR	100	107	117	124	106	113	123	131	110	117	128	136	116	123	134	143	121	129	141	150	125	133	146	155	

IDB: Entering Indoor Dry Bulb Temperature  
 High and low pressures are measured at the liquid and suction service valves.  
 Shaded area reflects ACCA (TVA) conditions  
 kW= Total system power  
 Amps = outdoor unit amps (comp.+fan)

COOLING DATA — DZ14SA0601A\* / CA\*F4961\*6D\*+MBR2000\*\* -1+TXV

IDB	AIRFLOW	OUTDOOR AMBIENT TEMPERATURE												ENTERING INDOOR WET BULB TEMPERATURE											
		65°F				75°F				85°F				95°F				105°F				115°F			
		59	63	67	71	59	63	67	71	59	63	67	71	59	63	67	71	59	63	67	71	59	63	67	71
80	MBh	55.1	56.3	60.1	64.3	53.8	55.0	58.7	62.8	52.5	53.7	57.3	61.3	51.2	52.4	55.9	59.8	48.7	49.7	53.1	56.8	45.1	46.1	49.2	52.6
	S/T	0.83	0.78	0.63	0.47	0.86	0.81	0.66	0.49	0.88	0.83	0.67	0.50	0.91	0.86	0.70	0.52	0.95	0.89	0.72	0.54	0.95	0.89	0.73	0.54
	ΔT	24	23	20	16	24	23	20	16	24	23	20	16	25	24	20	16	24	23	20	16	23	22	19	15
	kW	3.74	3.81	3.92	4.03	4.00	4.08	4.20	4.32	4.23	4.31	4.44	4.58	4.43	4.52	4.66	4.81	4.61	4.70	4.85	5.00	4.75	4.85	5.00	5.16
	Amps	13.4	13.7	14.2	14.7	14.5	14.8	15.3	15.9	15.8	16.1	16.7	17.3	16.9	17.3	17.9	18.5	18.0	18.4	19.0	19.8	19.0	19.5	20.2	20.9
	Hi PR	227	244	258	269	255	274	289	302	290	312	329	343	330	355	375	391	371	399	422	440	410	441	466	486
	Lo PR	98	104	114	121	104	110	120	128	108	115	125	133	113	120	131	140	119	126	138	147	123	130	142	152
	MBh	55.6	56.9	60.7	64.9	54.3	55.5	59.3	63.4	53.0	54.2	57.9	61.9	51.8	52.9	56.5	60.4	49.2	50.2	53.7	57.4	45.5	46.5	49.7	53.2
	S/T	0.84	0.79	0.64	0.48	0.87	0.82	0.66	0.50	0.89	0.84	0.68	0.51	0.92	0.86	0.70	0.53	0.96	0.90	0.73	0.55	0.96	0.90	0.74	0.55
	ΔT	24	23	20	16	24	23	20	16	24	23	20	16	24	23	20	16	24	23	20	16	22	21	19	15
kW	3.77	3.85	3.96	4.07	4.04	4.12	4.24	4.37	4.27	4.36	4.49	4.63	4.48	4.57	4.71	4.86	4.65	4.75	4.90	5.05	4.80	4.90	5.06	5.22	
Amps	13.6	13.9	14.3	14.9	14.7	15.0	15.5	16.1	16.0	16.3	16.9	17.5	17.1	17.5	18.1	18.8	18.2	18.6	19.3	20.0	19.3	19.7	20.4	21.2	
Hi PR	230	247	261	273	258	278	293	306	293	316	333	348	334	360	380	396	376	405	427	446	415	447	472	492	
Lo PR	99	106	115	123	105	112	122	130	109	116	127	135	115	122	133	142	120	128	139	149	124	132	144	154	
MBh	57.6	58.8	62.9	67.2	56.2	57.5	61.4	65.6	54.9	56.1	59.9	64.1	53.6	54.7	58.5	62.5	50.9	52.0	55.6	59.4	47.1	48.2	51.5	55.0	
S/T	0.89	0.84	0.68	0.51	0.92	0.87	0.71	0.53	0.95	0.89	0.72	0.54	1.00	0.92	0.75	0.56	1.00	0.95	0.78	0.58	1.00	0.96	0.78	0.58	
ΔT	21	20	17	14	21	20	18	14	21	20	18	14	22	21	18	14	21	20	18	14	19	19	16	13	
kW	3.83	3.90	4.01	4.13	4.10	4.18	4.30	4.43	4.34	4.42	4.56	4.70	4.55	4.64	4.78	4.93	4.72	4.82	4.97	5.13	4.88	4.98	5.14	5.30	
Amps	13.8	14.1	14.6	15.2	14.9	15.3	15.8	16.4	16.2	16.6	17.2	17.9	17.4	17.8	18.4	19.1	18.5	19.0	19.6	20.4	19.6	20.1	20.8	21.6	
Hi PR	235	252	267	278	263	283	299	312	299	322	340	355	341	367	387	404	384	413	436	455	424	456	482	502	
Lo PR	101	108	118	125	107	114	124	132	111	118	129	138	117	124	136	145	123	130	142	152	127	135	147	157	
85	MBh	56.0	57.1	59.8	63.8	54.7	55.8	58.4	62.3	53.4	54.5	57.6	61.5	52.1	53.1	55.7	59.4	49.5	50.5	52.9	56.4	45.9	46.8	49.0	52.3
	S/T	0.87	0.84	0.76	0.62	0.90	0.87	0.79	0.64	0.93	0.89	0.81	0.66	0.96	0.92	0.83	0.68	0.99	0.96	0.86	0.70	1.00	0.97	0.87	0.71
	ΔT	26	25	24	21	26	26	24	21	26	26	24	21	26	26	24	21	26	25	24	21	24	24	22	19
	kW	3.76	3.84	3.95	4.06	4.03	4.11	4.23	4.36	4.26	4.35	4.48	4.61	4.47	4.56	4.70	4.84	4.64	4.74	4.88	5.04	4.79	4.89	5.04	5.20
	Amps	13.5	13.8	14.3	14.8	14.6	15.0	15.5	16.1	15.9	16.3	16.8	17.5	17.0	17.4	18.0	18.7	18.1	18.6	19.2	19.9	19.2	19.7	20.4	21.1
	Hi PR	229	247	260	272	257	277	292	305	293	315	332	347	333	359	379	395	375	403	426	444	414	446	471	491
	Lo PR	99	105	115	123	105	111	122	129	109	116	126	135	114	122	133	141	120	127	139	148	124	132	144	153
	MBh	56.6	57.7	60.4	64.5	55.3	56.4	59.0	63.0	54.0	55.0	57.6	61.5	52.7	53.7	56.2	60.0	50.0	51.0	53.4	57.0	46.3	47.2	49.5	52.8
	S/T	0.88	0.85	0.77	0.62	0.91	0.88	0.79	0.64	0.94	0.90	0.81	0.66	0.97	0.93	0.84	0.68	1.00	0.97	0.87	0.71	1.00	0.98	0.88	0.71
	ΔT	25	25	24	20	26	25	24	21	26	25	24	21	26	26	24	21	26	25	24	21	24	24	22	19
kW	3.80	3.87	3.99	4.10	4.07	4.15	4.27	4.40	4.30	4.39	4.52	4.66	4.51	4.60	4.75	4.89	4.69	4.79	4.93	5.09	4.84	4.94	5.10	5.26	
Amps	13.7	14.0	14.5	15.0	14.8	15.2	15.7	16.3	16.1	16.5	17.1	17.7	17.2	17.6	18.2	18.9	18.3	18.8	19.4	20.2	19.4	19.9	20.6	21.4	
Hi PR	232	250	264	275	261	280	296	309	296	319	337	351	338	363	384	400	380	409	432	450	420	452	477	497	
Lo PR	100	107	117	124	106	113	123	131	110	117	128	136	116	123	134	143	121	129	141	150	125	133	146	155	
MBh	58.6	59.7	62.5	66.7	57.2	58.3	61.1	65.2	55.9	56.9	59.6	63.6	54.5	55.6	58.2	62.1	51.8	52.8	55.3	59.0	48.0	48.9	51.2	54.6	
S/T	0.94	0.90	0.81	0.66	0.97	0.94	0.84	0.68	0.99	0.96	0.87	0.70	1.00	0.99	0.89	0.72	1.00	1.00	0.93	0.75	1.00	1.00	0.94	0.76	
ΔT	22	22	21	18	23	22	21	18	23	22	21	18	22	22	21	18	21	22	21	18	20	20	20	17	
kW	3.85	3.93	4.04	4.16	4.13	4.21	4.34	4.47	4.37	4.46	4.59	4.73	4.58	4.68	4.82	4.97	4.76	4.86	5.01	5.17	4.92	5.02	5.18	5.34	
Amps	13.9	14.3	14.7	15.3	15.1	15.4	16.0	16.6	16.4	16.8	17.4	18.0	17.5	18.0	18.6	19.3	18.7	19.1	19.8	20.6	19.8	20.3	21.0	21.8	
Hi PR	237	255	269	281	266	286	302	315	302	325	344	358	344	371	391	408	387	417	440	459	428	461	486	507	
Lo PR	102	109	119	127	108	115	126	134	112	120	131	139	118	126	137	146	124	132	144	153	128	136	149	158	

IDB: Entering Indoor Dry Bulb Temperature  
 High and low pressures are measured at the liquid and suction service valves.  
 Shaded area reflects AHRI conditions  
 kW= Total system power  
 Amps = outdoor unit amps (comp.+fan)

# HEATING DATA

**DZ14SA0181A\* / ARPT18B14A\***

	OUTDOOR AMBIENT TEMPERATURE																	
	65	60	55	50	47	45	40	35	30	25	20	17	15	10	5	0	-5	-10
MBh	22.8	21.6	20.4	19.0	18.2	17.6	16.4	15.1	12.6	11.6	10.7	10.1	9.8	8.7	7.8	6.8	5.8	4.7
ΔT	36.5	34.5	32.5	30.4	29.0	28.1	26.1	24.1	20.1	18.6	17.1	16.2	15.6	14.0	12.4	10.8	9.2	7.5
kW	1.45	1.43	1.40	1.37	1.4	1.34	1.32	1.29	1.23	1.20	1.18	1.16	1.15	1.12	1.10	1.07	1.05	1.02
Amps	7.9	7.3	6.8	6.4	6.2	6.1	5.7	5.4	5.2	5.0	4.7	4.6	4.6	4.3	4.0	3.8	3.5	3.2
COP	4.11	3.96	3.79	3.61	3.48	3.40	3.21	3.02	2.63	2.48	2.32	2.22	2.15	1.97	1.78	1.59	1.38	1.16
HI PR	404	388	373	356	348	341	328	315	302	288	277	270	265	255	245	235	227	219
LO PR	151	140	131	121	114	110	101	90	81	72	64	59	57	48	42	35	31	24

**DZ14SA0241A\* / ARPT24B14A\***

	OUTDOOR AMBIENT TEMPERATURE																	
	65	60	55	50	47	45	40	35	30	25	20	17	15	10	5	0	-5	-10
MBh	30.2	28.6	26.9	25.2	24.1	23.3	21.6	20.0	17.4	16.1	14.8	14.0	13.4	12.1	10.7	9.3	8.0	6.5
ΔT	32.9	31.2	29.3	27.4	26.2	25.4	23.6	21.7	19.0	17.5	16.1	15.2	14.6	13.1	11.7	10.2	8.7	7.1
kW	1.94	1.91	1.87	1.84	1.8	1.80	1.77	1.73	1.62	1.59	1.55	1.53	1.52	1.49	1.46	1.42	1.39	1.36
Amps	10.5	9.8	9.2	8.6	8.3	8.2	7.7	7.3	7.0	6.7	6.4	6.2	6.2	5.9	5.5	5.2	4.8	4.3
COP	4.02	3.87	3.70	3.52	3.39	3.31	3.12	2.93	2.71	2.54	2.38	2.28	2.21	2.02	1.82	1.62	1.41	1.18
HI PR	404	388	373	356	348	341	328	315	302	288	277	270	265	255	245	235	227	219
LO PR	145	134	126	115	109	105	96	86	77	69	61	57	55	46	40	34	29	23

**DZ14SA0301A\* / ARPT30B14A\***

	OUTDOOR AMBIENT TEMPERATURE																	
	65	60	55	50	47	45	40	35	30	25	20	17	15	10	5	0	-5	-10
MBh	34.7	32.9	30.9	28.9	27.6	26.8	24.9	22.9	20.4	18.9	17.4	16.4	15.8	14.2	12.6	11.0	9.3	7.7
ΔT	38.3	36.2	34.1	31.9	30.5	29.5	27.4	25.3	22.5	20.8	19.1	18.1	17.4	15.6	13.8	12.1	10.3	8.4
kW	2.23	2.19	2.15	2.11	2.1	2.07	2.03	1.99	1.90	1.86	1.82	1.80	1.79	1.75	1.71	1.67	1.63	1.59
Amps	12.1	11.2	10.5	9.9	9.5	9.4	8.8	8.4	8.1	7.7	7.3	7.2	7.1	6.7	6.3	5.9	5.5	5.0
COP	4.08	3.93	3.76	3.58	3.45	3.37	3.18	2.99	2.77	2.60	2.44	2.33	2.26	2.07	1.87	1.66	1.45	1.21
HI PR	412	395	380	363	355	348	334	321	308	294	282	275	270	260	250	240	231	223
LO PR	143	133	124	114	108	104	95	85	77	68	60	56	54	46	39	33	29	23

**DZ14SA0361A\* / ARPT36D14A\***

	OUTDOOR AMBIENT TEMPERATURE																	
	65	60	55	50	47	45	40	35	30	25	20	17	15	10	5	0	-5	-10
MBh	42.6	40.3	38.0	35.5	33.9	32.9	30.5	28.1	25.8	23.8	21.9	20.7	20.0	17.9	15.9	13.8	11.8	9.7
ΔT	35.2	33.4	31.4	29.3	28.0	27.2	25.2	23.3	21.3	19.7	18.1	17.1	16.5	14.8	13.1	11.4	9.8	8.0
kW	2.50	2.46	2.41	2.37	2.3	2.33	2.29	2.24	2.19	2.14	2.10	2.08	2.06	2.02	1.98	1.94	1.89	1.85
Amps	13.5	12.6	11.8	11.1	10.7	10.5	10.0	9.5	9.1	8.7	8.3	8.1	8.0	7.7	7.2	6.8	6.3	5.7
COP	4.36	4.19	4.01	3.80	3.67	3.58	3.37	3.16	2.97	2.78	2.61	2.49	2.41	2.20	1.99	1.76	1.53	1.28
HI PR	388	372	357	342	334	327	315	302	289	276	265	259	254	245	235	226	218	210
LO PR	143	132	124	114	107	103	95	85	76	68	60	56	54	45	39	33	29	23

High pressure is measured at the liquid service valve .  
 Low pressure is measured at the gauge port connection.

kW = Total system power

Amps = Outdoor unit amps (comp.+fan)

Calculations are based on nominal CFM and 70 °F indoor dry bulb.

## HEATING DATA (CONT.)

## DZ14SA0381A\* / ASPT42C14A\*

	OUTDOOR AMBIENT TEMPERATURE																	
	65	60	55	50	47	45	40	35	30	25	20	17	15	10	5	0	-5	-10
MBh	42.7	40.5	38.1	35.6	34.0	32.9	30.6	28.2	25.7	23.7	21.8	20.6	19.8	17.8	15.8	13.8	11.7	9.6
ΔT	33.7	31.9	30.0	28.1	26.8	26.0	24.1	22.2	20.2	18.7	17.2	16.2	15.6	14.0	12.4	10.8	9.3	7.6
kW	2.46	2.40	2.35	2.29	2.3	2.23	2.17	2.11	2.10	2.04	1.98	1.94	1.92	1.86	1.80	1.74	1.68	1.62
Amps	13.4	12.3	11.5	10.7	10.3	10.1	9.5	8.9	8.5	8.1	7.7	7.4	7.3	6.9	6.4	5.9	5.4	4.8
COP	4.57	4.42	4.26	4.07	3.94	3.86	3.66	3.46	3.17	3.00	2.84	2.72	2.65	2.44	2.23	2.00	1.76	1.48
HI PR	400	383	368	352	344	337	324	311	298	285	273	267	262	252	243	233	224	216
LO PR	149	138	129	119	112	108	99	88	80	71	63	58	56	47	41	35	30	24

## DZ14SA0421A\* / ARPT42D14A\*

	OUTDOOR AMBIENT TEMPERATURE																	
	65	60	55	50	47	45	40	35	30	25	20	17	15	10	5	0	-5	-10
MBh	51.7	49.0	46.1	43.1	41.2	39.9	37.0	34.2	30.8	28.4	26.2	24.7	23.8	21.3	18.9	16.5	14.1	11.5
ΔT	36.0	34.1	32.1	30.0	28.7	27.8	25.8	23.8	21.4	19.8	18.2	17.2	16.6	14.9	13.2	11.5	9.8	8.0
kW	3.11	3.05	3.00	2.94	2.9	2.88	2.83	2.77	2.57	2.52	2.47	2.43	2.41	2.36	2.31	2.26	2.20	2.15
Amps	16.9	15.7	14.7	13.8	13.3	13.1	12.3	11.7	11.2	10.7	10.2	9.9	9.8	9.3	8.7	8.2	7.6	6.8
COP	4.27	4.11	3.93	3.74	3.60	3.52	3.32	3.12	3.00	2.82	2.64	2.52	2.44	2.23	2.02	1.79	1.56	1.30
HI PR	422	404	389	372	363	356	342	329	315	301	289	282	277	266	256	245	237	228
LO PR	141	130	122	112	106	102	94	84	75	67	59	55	53	45	39	33	29	22

## DZ14SA0481A\* / ARUF48D14A\*

	OUTDOOR AMBIENT TEMPERATURE																	
	65	60	55	50	47	45	40	35	30	25	20	17	15	10	5	0	-5	-10
MBh	59.3	56.2	52.9	49.4	47.2	45.7	42.5	39.2	36.2	33.5	30.8	29.1	28.0	25.1	22.3	19.4	16.6	13.6
ΔT	37.9	35.9	33.8	31.6	30.1	29.2	27.1	25.0	23.1	21.4	19.7	18.6	17.9	16.1	14.2	12.4	10.6	8.7
kW	3.47	3.41	3.35	3.28	3.2	3.22	3.16	3.10	2.83	2.78	2.72	2.69	2.67	2.61	2.55	2.50	2.44	2.38
Amps	18.9	17.5	16.4	15.4	14.9	14.6	13.7	13.0	12.5	11.9	11.3	11.1	10.9	10.4	9.7	9.1	8.4	7.6
COP	4.32	4.16	3.98	3.78	3.64	3.56	3.36	3.15	3.14	2.95	2.76	2.63	2.55	2.33	2.11	1.87	1.63	1.36
HI PR	424	406	391	374	365	358	344	330	316	302	290	283	278	267	257	247	238	229
LO PR	136	126	118	108	102	98	91	81	73	65	57	53	51	43	37	32	28	22

## DZ14SA0601A\* / CA\*F4961\*6D\*+MBR2000\*\*-1+TXV

	OUTDOOR AMBIENT TEMPERATURE																	
	65	60	55	50	47	45	40	35	30	25	20	17	15	10	5	0	-5	-10
MBh	75.5	71.5	67.3	62.9	60.1	58.2	54.1	49.9	46.3	42.8	39.4	37.2	35.8	32.1	28.5	24.8	21.2	17.4
ΔT	38.9	36.8	34.6	32.4	30.9	30.0	27.8	25.7	23.8	22.0	20.3	19.1	18.4	16.5	14.7	12.8	10.9	8.9
kW	4.55	4.47	4.39	4.30	4.3	4.22	4.14	4.06	3.63	3.55	3.48	3.44	3.41	3.33	3.26	3.19	3.12	3.04
Amps	24.9	23.0	21.5	20.2	19.5	19.1	18.0	17.0	16.3	15.5	14.8	14.4	14.2	13.4	12.5	11.7	10.8	9.7
COP	4.17	4.01	3.83	3.64	3.51	3.43	3.24	3.04	3.10	2.91	2.72	2.60	2.52	2.30	2.08	1.84	1.60	1.34
HI PR	432	415	399	381	372	365	351	337	323	308	296	289	284	273	262	252	243	234
LO PR	130	121	113	104	98	94	87	77	70	62	55	51	49	41	36	30	26	21

High pressure is measured at the liquid service valve .  
 Low pressure is measured at the gauge port connection.

kW = Total system power

Amps = Outdoor unit amps (comp.+fan)

Calculations are based on nominal CFM and 70 °F indoor dry bulb.

OUTDOOR UNIT	INDOOR UNITS		COOLING CAPACITY (BTU/h)				TVA RATINGS <sup>3</sup>		HEATING CAPACITY			CFM	AHRI #
	COILS/AIR HANDLERS	FURNACES	TOTAL	SENS.	SEER <sup>1</sup>	EER <sup>2</sup>	TOTAL	SENS.	HI	HSPF <sup>4</sup>	Low		
DZ14SA 0181A*	ACNF18XX16D*+TXV		17,000	12,700	13.50	11.50	15,800	12,300	17,000	7.70	10,000	580	6546228
	ARPT18B14A*		18,000	13,500	14.00	12.00	16,700	13,000	17,900	7.70	10,000	580	6546229
	ARPT24B14A*		18,000	13,500	14.00	12.00	16,700	13,000	17,900	7.70	10,000	560	6546230
	ARPT30B14A*		18,000	13,500	14.00	12.00	16,700	13,000	17,000	7.80	10,000	585	6546231
	ARUF18B14A*+TXV		17,000	12,700	13.00	11.00	15,800	12,300	17,000	7.70	10,000	605	6546232
	ARUF24B14C*+TXV		17,000	12,700	13.50	11.00	15,800	12,300	17,000	7.70	10,000	600	7084892
	ARUF30B14A*		18,000	13,500	13.30	11.00	16,700	13,000	17,000	7.70	10,000	585	6546234
	ARUF30B14A*+TXV		18,000	13,500	14.00	12.00	16,700	13,000	17,000	7.80	10,000	585	6546235
	ASPT24B14A*		18,000	13,500	14.50	12.00	16,700	13,000	17,000	8.20	9,300	605	6546237
	ASPT30C14A*		18,000	13,500	15.00	12.50	16,700	13,000	17,000	8.00	9,500	580	6546238
	ASUF29B14A*		18,000	13,500	14.00	11.50	16,700	13,000	17,000	8.00	8,800	605	6546239
	ASUF29B14A*+TXV		18,000	13,500	14.50	12.00	16,700	13,000	17,000	8.20	9,300	605	6546240
	AVPTC24B14A*		18,000	13,500	14.50	12.00	16,700	13,000	17,000	8.20	9,300	600	6546242
	AWUF31XX16A*		18,000	13,500	14.50	12.50	16,700	13,000	17,600	8.20	9,000	600	6546244
	AWUF31XX16A*+TXV		18,000	13,500	15.00	12.70	16,700	13,000	17,600	8.20	9,000	600	6546245
	CA*F3131*6D*+EEP+TXV		18,400	13,800	14.00	12.00	17,100	13,300	18,000	8.00	10,400	600	6546246
	CA*F3131*6D*+MBR0800**-1+TXV		18,000	13,500	14.00	12.00	16,700	13,000	18,000	8.10	10,200	600	6546247
	CA*F3131*6D*+MBVC1200**-1A*+TXV		18,000	13,500	15.00	12.50	16,700	13,000	17,900	8.10	10,000	550	6546248
	CA*F3131*6D*+TXV	G*VC950453BxB*	18,000	13,500	15.00	12.50	16,700	13,000	18,000	8.10	10,100	650	6546249
	CA*F3131*6D*+TXV	G*VM960603BxB*	18,000	13,500	15.00	12.50	16,700	13,000	18,000	8.10	10,100	650	6546250
	CA*F3131*6D*+TXV	D*96VC0453BXA*	18,000	13,500	15.00	12.50	16,700	13,000	18,000	8.10	10,100	650	6547448
	CA*F3131*6D*+TXV	D*96MC0603BXA*	18,000	13,500	15.00	12.50	16,700	13,000	18,000	8.10	10,100	650	6592122
	CAPT3131*4A*	G*VC950453BxB*	18,000	13,500	15.00	12.50	16,700	13,000	17,800	8.10	10,100	590	6546251
	CAPT3131*4A*	G*VM960603BxB*	18,000	13,500	15.00	12.50	16,700	13,000	17,700	8.10	10,100	570	6546252
	CAPT3131*4A*	D*96VC0453BXA*	18,000	13,500	15.00	12.50	16,700	13,000	17,800	8.10	10,100	590	6547450
	CAPT3131*4A*	D*96MC0603BXA*	18,000	13,500	15.00	12.50	16,700	13,000	17,700	8.10	10,100	570	6592123
	CAPT3131*4A*+EEP		18,400	13,800	13.50	12.00	17,100	13,300	18,000	7.70	10,400	580	6546253
	CAPT3131*4A*+MBR0800**-1		18,000	13,500	14.00	12.00	16,700	13,000	18,000	8.00	10,800	580	6546254
	CAPT3131*4A*+MBVC1200**-1A*		18,000	13,500	15.00	12.50	16,700	13,000	17,600	8.10	10,000	585	6546255
	CHPF2430B6C*+EEP+TXV		19,000	14,200	14.00	12.00	17,600	13,800	18,000	8.50	10,400	600	6546256
	CHPF2430B6C*+MBR0800**-1+TXV		18,000	13,500	14.00	12.00	16,700	13,000	18,000	8.10	10,200	600	6546257
	CHPF2430B6C*+MBVC1200**-1A*+TXV		18,400	13,800	14.00	12.00	17,100	13,300	18,000	8.50	10,800	600	6546258
	CHPF2430B6C*+TXV	G*E80603B*B*	18,000	13,500	15.00	12.50	16,700	13,000	16,800	8.10	10,200	670	6546259
	CHPF2430B6C*+TXV	G*VC950453BxB*	18,000	13,500	15.00	12.50	16,700	13,000	18,000	8.10	10,200	600	6546260
	CHPF2430B6C*+TXV	G*VM960603BxB*	18,000	13,500	15.00	12.50	16,700	13,000	18,000	8.10	10,200	600	6546261
	CHPF2430B6C*+TXV	D*80HE0603B*A*	18,000	13,500	15.00	12.50	16,700	13,000	16,800	8.10	10,200	670	6547452
	CHPF2430B6C*+TXV	D*96VC0453BXA*	18,000	13,500	15.00	12.50	16,700	13,000	18,000	8.10	10,200	600	6547453
	CHPF2430B6C*+TXV	D*96MC0603BXA*	18,000	13,500	15.00	12.50	16,700	13,000	18,000	8.10	10,200	600	6592124
	CHPF3636B6C*+MBVC1200**-1A*+TXV		19,000	14,200	15.00	13.00	17,600	13,800	18,000	8.50	10,400	650	6546262
	CSCF3036N6D*+TXV	G*VC950453BxB*	18,000	13,500	15.00	12.50	16,700	13,000	18,000	8.10	10,200	650	6546263
CSCF3036N6D*+TXV	D*96VC0453BXA*	18,000	13,500	15.00	12.50	16,700	13,000	18,000	8.10	10,200	650	6547455	
DV24PTCB14A*		18,000	13,500	14.50	12.00	16,700	13,000	17,000	8.20	9,300	600	6546243	

<sup>1</sup> Seasonal Energy Efficiency Ratio; Certified per RI 210/240 @ 80°F/ 67°F/ 95°F

<sup>2</sup> Energy Efficiency Ratio @ 80°F/ 67°F/ 95°F

<sup>3</sup> TVA Rating: BTU/h @ 75°F/ 63°F - 95°F

<sup>4</sup> HSPF = Heating Seasonal Performance Factor

**NOTES**

- Always check the S&R plate for electrical data on the unit being installed.
- When matching outdoor unit to indoor unit, use the piston supplied with the outdoor unit or that specified on the piston kit chart supplied with the indoor unit.
- EEP - Order from Service Dept. Part No. B13707-38 or new Solid State Board B13707-35S. Part No. B13707-38 is not interchangeable with B13707-35S. The Goodman Gas Furnace contains the EEP cooling time delay

OUTDOOR UNIT	INDOOR UNITS		COOLING CAPACITY (BTU/H)				TVA RATINGS <sup>3</sup>		HEATING CAPACITY			CFM	AHRI #
	COILS/AIR HANDLERS	FURNACES	TOTAL	SENS.	SEER <sup>1</sup>	EER <sup>2</sup>	TOTAL	SENS.	Hi	HSPF <sup>4</sup>	Low		
DZ14SA 0241A*	ACNF24XX16D*+TXV		23,000	17,300	13.50	11.50	21,200	17,000	24,600	7.70	14,000	835	6546264
	ARPT24B14A*		24,000	18,100	13.50	11.50	22,200	17,800	24,000	8.00	14,000	820	6546265
	ARPT30B14A*		24,000	18,100	14.00	12.00	22,200	17,800	23,600	8.00	14,200	850	6546266
	ARUF24B14C*+TXV		23,200	17,500	13.50	11.50	21,400	17,200	23,600	7.80	14,100	800	7084894
	ARUF30B14A*+TXV		24,000	18,100	14.00	12.00	22,200	17,800	23,600	8.00	14,200	850	6546268
	ASPT24B14A*		22,600	17,000	14.00	11.50	21,000	16,700	22,000	8.00	13,000	810	6546271
	ASPT30C14A*		23,600	17,800	15.00	12.50	21,800	17,500	22,000	8.50	13,000	845	6546272
	ASUF29B14A*		22,600	17,000	13.50	11.00	21,000	16,700	22,000	8.00	13,600	810	6546273
	ASUF29B14A*+TXV		22,600	17,000	14.00	11.50	21,000	16,700	22,000	8.00	13,000	810	6546274
	ASUF39C14A*		23,600	17,800	14.50	12.00	21,800	17,500	22,000	8.20	12,700	885	6546275
	ASUF39C14A*+TXV		23,600	17,800	15.00	12.50	21,800	17,500	22,000	8.50	12,700	885	6546276
	AVPTC24B14A*		22,600	17,000	14.00	11.50	21,000	16,700	22,000	8.00	13,000	800	6546278
	AVPTC30C14A*		23,600	17,800	15.00	12.50	21,800	17,500	22,000	8.50	13,000	860	6546280
	AWUF31XX16A*		24,000	18,100	14.50	12.50	22,200	17,800	23,000	8.50	13,400	840	6546283
	AWUF31XX16A*+TXV		24,000	18,100	15.00	12.70	22,200	17,800	23,000	8.50	13,400	840	6546284
	AWUF32XX16A*		24,000	18,100	14.50	12.50	22,200	17,800	23,000	8.50	13,400	840	6546285
	AWUF32XX16A*+TXV		24,000	18,100	15.00	12.70	22,200	17,800	23,000	8.50	13,400	840	6546286
	CA*F3636*6D*+EEP+TXV		24,000	18,100	14.00	12.00	22,200	17,800	24,000	8.00	14,000	800	6546287
	CA*F3636*6D*+MBR0800**-1+TXV		24,000	18,100	14.00	12.00	22,200	17,800	24,000	8.20	14,500	850	6546288
	CA*F3636*6D*+MBVC1200**-1A*+TXV		24,000	18,100	15.00	12.50	22,200	17,800	24,000	8.50	14,500	800	6546289
	CA*F3636*6D*+MBVC1600**-1A*+TXV		24,000	18,100	15.00	13.00	22,200	17,800	22,000	8.50	12,000	850	6546290
	CA*F3636*6D*+TXV	G*E80603B*B*	23,600	17,800	15.00	12.50	21,800	17,500	23,000	8.30	14,500	860	6546291
	CA*F3636*6D*+TXV	G*VC950453BXB*	23,600	17,800	14.50	12.20	21,800	17,500	23,600	8.30	14,500	800	6546292
	CA*F3636*6D*+TXV	G*VC950704CXB*	23,600	17,800	15.00	12.50	21,800	17,500	23,000	8.30	14,500	800	6546293
	CA*F3636*6D*+TXV	G*VC950714CXB*	23,600	17,800	15.00	12.50	21,800	17,500	23,000	8.20	14,500	800	6546294
	CA*F3636*6D*+TXV	G*VM960603BXB*	23,600	17,800	14.50	12.20	21,800	17,500	23,600	8.30	14,500	800	6546295
	CA*F3636*6D*+TXV	G*VM960604CXB*	23,600	17,800	15.00	12.50	21,800	17,500	23,000	8.20	14,500	800	6546296
	CA*F3636*6D*+TXV	D*80HE0603B*A*	23,600	17,800	15.00	12.50	21,800	17,500	23,000	8.30	14,500	860	6547456
	CA*F3636*6D*+TXV	D*96VC0453BXA*	23,600	17,800	14.50	12.20	21,800	17,500	23,600	8.30	14,500	800	6547457
	CA*F3636*6D*+TXV	D*96VC0704CXA*	23,600	17,800	15.00	12.50	21,800	17,500	23,000	8.30	14,500	800	6547458
	CA*F3636*6D*+TXV	D*96VC0714CXA*	23,600	17,800	15.00	12.50	21,800	17,500	23,000	8.20	14,500	800	6547459
	CA*F3636*6D*+TXV	D*96MC0603BXA*	23,600	17,800	14.50	12.20	21,800	17,500	23,600	8.30	14,500	800	6592125
	CA*F3636*6D*+TXV	D*96MC0604CXA*	23,600	17,800	15.00	12.50	21,800	17,500	23,000	8.20	14,500	800	6592126
	CAPT3131*4A*+EEP		23,000	17,300	13.50	11.50	21,200	17,000	21,600	7.70	14,200	800	6546297
	CAPT3131*4A*+MBVC1200**-1A*		23,600	17,800	14.50	12.00	21,800	17,500	21,000	8.00	13,600	850	6546298
	CHPF3636B6C*+EEP+TXV		24,000	18,100	14.00	12.00	22,200	17,800	24,000	8.20	12,000	800	6546299
	CHPF3636B6C*+MBR0800**-1+TXV		24,000	18,100	14.00	12.00	22,200	17,800	24,000	8.20	14,500	850	6546300
	CHPF3636B6C*+MBVC1200**-1A*+TXV		24,000	18,100	15.00	12.50	22,200	17,800	24,000	8.50	14,500	850	6546301
	CHPF3636B6C*+TXV	G*E80603B*B*	24,000	18,100	15.00	12.50	22,200	17,800	24,000	8.30	14,500	860	6546302
	CHPF3636B6C*+TXV	G*VC950453BXB*	24,000	18,100	14.50	12.20	22,200	17,800	24,000	8.30	14,500	800	6546303
	CHPF3636B6C*+TXV	G*VM960603BXB*	24,000	18,100	14.50	12.20	22,200	17,800	24,000	8.30	14,500	800	6546304
	CHPF3636B6C*+TXV	D*80HE0603B*A*	24,000	18,100	15.00	12.50	22,200	17,800	24,000	8.30	14,500	860	6547462
	CHPF3636B6C*+TXV	D*96VC0453BXA*	24,000	18,100	14.50	12.20	22,200	17,800	24,000	8.30	14,500	800	6547463
	CHPF3636B6C*+TXV	D*96MC0603BXA*	24,000	18,100	14.50	12.20	22,200	17,800	24,000	8.30	14,500	800	6592127
	CHPF3642C6C*+MBVC1600**-1A*+TXV		24,000	18,100	15.00	12.50	22,200	17,800	22,000	8.50	12,000	850	6546305
CHPF3743C6B*+TXV	G*VC950704CXB*	23,600	17,800	14.50	12.20	21,800	17,500	23,600	8.30	14,500	800	6546306	
CHPF3743C6B*+TXV	D*96VC0704CXA*	23,600	17,800	14.50	12.20	21,800	17,500	23,600	8.30	14,500	800	6547465	
DV24PTCB14A*		22,600	17,000	14.00	11.50	21,000	16,700	22,000	8.00	13,000	800	6546279	
DV30PTCC14A*		23,600	17,800	15.00	12.50	21,800	17,500	22,000	8.50	13,000	860	6546281	

OUTDOOR UNIT	INDOOR UNITS		COOLING CAPACITY (BTU/H)				TVA RATINGS <sup>5</sup>		HEATING CAPACITY			CFM	AHRI #
	COILS/AIR HANDLERS	FURNACES	TOTAL	SENS.	SEER <sup>1</sup>	EER <sup>2</sup>	TOTAL	SENS.	HI	HSPF <sup>4</sup>	LOW		
DZ14SA 0301A*	ACNF30XX16D*+TXV		27,200	19,700	13.50	11.50	25,200	21,200	27,200	7.70	16,000	860	6546307
	ARPT30B14A*		28,000	20,200	14.00	11.50	26,000	21,800	27,400	8.00	16,200	840	6546308
	ARPT36C14A*		28,000	20,200	14.00	11.50	26,000	21,800	27,400	8.00	16,200	810	6546309
	ARUF30B14A*		27,800	20,000	13.00	11.50	25,800	21,600	27,400	7.80	16,200	835	6546310
	ARUF30B14A*+TXV		28,000	20,200	14.00	12.00	26,000	21,800	27,400	8.00	16,300	835	6546311
	ASPT36C14A*		28,000	20,200	15.00	12.50	26,000	21,800	27,000	8.50	15,600	905	6546313
	ASUF39C14A*		28,000	20,200	14.50	12.00	26,000	21,800	27,000	8.20	15,600	905	6546314
	ASUF39C14A*+TXV		28,000	20,200	15.00	12.50	26,000	21,800	27,000	8.50	15,600	905	6546315
	AVPTC36C14A*		28,000	20,200	15.00	12.50	26,000	21,800	27,000	8.50	15,600	930	6546317
	AWUF31XX16A*		28,800	20,800	14.00	12.00	26,600	22,400	28,000	8.50	18,000	1,020	6546319
	AWUF31XX16A*+TXV		28,800	20,800	14.50	12.30	26,600	22,400	28,000	8.50	18,000	1,020	6546320
	AWUF32XX16A*		28,800	20,800	14.00	12.00	26,600	22,400	28,000	8.50	18,000	1,020	6546321
	AWUF32XX16A*+TXV		28,800	20,800	14.50	12.30	26,600	22,400	28,000	8.50	18,000	1,020	6546322
	CA*F3636*6D*+EEP+TXV		28,800	20,800	14.00	12.00	26,600	22,400	28,000	8.30	18,000	1,000	6546323
	CA*F3636*6D*+MBVC1200**-1A*+TXV		28,800	20,800	15.00	13.00	26,600	22,400	28,000	8.50	18,000	950	6546324
	CA*F3636*6D*+TXV	G*VC80604B*B*	28,800	20,800	15.00	12.50	26,600	22,400	28,600	8.50	16,600	1,000	6546325
	CA*F3636*6D*+TXV	G*VC950453BxB*	28,800	20,800	15.00	12.00	26,600	22,400	28,000	8.50	18,000	950	6546326
	CA*F3636*6D*+TXV	G*VC950704CXB*	28,800	20,800	15.00	12.00	26,600	22,400	28,000	8.50	18,000	950	6546327
	CA*F3636*6D*+TXV	G*VC950714CXB*	28,800	20,800	15.00	12.00	26,600	22,400	28,000	8.50	18,000	950	6546328
	CA*F3636*6D*+TXV	G*VM960603BxB*	28,800	20,800	15.00	12.00	26,600	22,400	28,000	8.50	18,000	950	6546329
	CA*F3636*6D*+TXV	G*VM960604CXB*	28,800	20,800	15.00	12.00	26,600	22,400	28,000	8.50	18,000	950	6546330
	CA*F3636*6D*+TXV	D*80VC0604B*A*	28,800	20,800	15.00	12.50	26,600	22,400	28,600	8.50	16,600	1,000	6547466
	CA*F3636*6D*+TXV	D*96VC0453BXA*	28,800	20,800	15.00	12.00	26,600	22,400	28,000	8.50	18,000	950	6547467
	CA*F3636*6D*+TXV	D*96VC0704CXA*	28,800	20,800	15.00	12.00	26,600	22,400	28,000	8.50	18,000	950	6547468
	CA*F3636*6D*+TXV	D*96VC0714CXA*	28,800	20,800	15.00	12.00	26,600	22,400	28,000	8.50	18,000	950	6547469
	CA*F3636*6D*+TXV	D*96MC0603BXA*	28,800	20,800	15.00	12.00	26,600	22,400	28,000	8.50	18,000	950	6592128
	CA*F3636*6D*+TXV	D*96MC0604CXA*	28,800	20,800	15.00	12.00	26,600	22,400	28,000	8.50	18,000	950	6592129
	CA*F3642*6D*+MBR1600**-1+TXV		28,800	20,800	14.00	12.00	26,600	22,400	29,000	8.50	18,000	1,050	6546331
	CA*F3743*6D*+EEP+TXV		28,400	20,600	14.00	12.00	26,400	22,200	28,200	8.50	18,000	1,000	6546332
	CA*F3743*6D*+MBVC1600**-1A*+TXV		28,800	20,800	15.00	12.50	26,600	22,400	27,400	8.50	18,000	1,000	6546333
	CA*F3743*6D*+TXV	DD80VC0805C*A*	28,800	20,800	14.50	12.20	26,600	22,400	27,400	8.50	16,600	990	6546334
	CA*F3743*6D*+TXV	G*E80805C*B*	28,800	20,800	14.50	12.20	26,600	22,400	27,800	8.50	16,600	1,060	6546335
	CA*F3743*6D*+TXV	G*E81005C*B*	28,800	20,800	14.50	12.20	26,600	22,400	27,800	8.50	16,600	1,080	6546336
	CA*F3743*6D*+TXV	G*VC80805C*B*	28,800	20,800	14.50	12.20	26,600	22,400	28,000	8.50	16,600	990	6546337
	CA*F3743*6D*+TXV	G*VC950704CXB*	28,800	20,800	14.50	12.00	26,600	22,400	27,600	8.50	16,200	1,000	6546338
	CA*F3743*6D*+TXV	G*VC950714CXB*	28,800	20,800	14.50	12.00	26,600	22,400	27,800	8.20	18,000	1,000	6546339
	CA*F3743*6D*+TXV	G*VM960604CXB*	28,800	20,800	14.50	12.00	26,600	22,400	27,800	8.20	18,000	1,000	6546340
	CA*F3743*6D*+TXV	D*80HE0805C*A*	28,800	20,800	14.50	12.20	26,600	22,400	27,800	8.50	16,600	1,060	6547472
	CA*F3743*6D*+TXV	D*80HE1005C*A*	28,800	20,800	14.50	12.20	26,600	22,400	27,800	8.50	16,600	1,080	6547473
	CA*F3743*6D*+TXV	D*80VC0805C*A*	28,800	20,800	14.50	12.20	26,600	22,400	28,000	8.50	16,600	990	6547474
	CA*F3743*6D*+TXV	D*96VC0704CXA*	28,800	20,800	14.50	12.00	26,600	22,400	27,600	8.50	16,200	1,000	6547475
	CA*F3743*6D*+TXV	D*96VC0714CXA*	28,800	20,800	14.50	12.00	26,600	22,400	27,800	8.20	18,000	1,000	6547476
	CA*F3743*6D*+TXV	D*96MC0604CXA*	28,800	20,800	14.50	12.00	26,600	22,400	27,800	8.20	18,000	1,000	6592130
	CAPT3743*4A*	G*E80805C*B*	28,800	20,800	14.50	12.00	26,600	22,400	26,800	8.20	16,600	850	6546341
	CAPT3743*4A*	G*E81005C*B*	28,800	20,800	14.50	12.00	26,600	22,400	26,800	8.20	16,600	1,080	6546342
	CAPT3743*4A*	G*VC950704CXB*	28,800	20,800	14.50	12.00	26,600	22,400	26,600	8.50	16,200	875	6546343
	CAPT3743*4A*	G*VC950714CXB*	28,800	20,800	14.50	12.00	26,600	22,400	26,600	8.20	18,000	875	6546344
CAPT3743*4A*	G*VM960604CXB*	28,800	20,800	14.50	12.00	26,600	22,400	26,600	8.20	18,000	855	6546345	
CAPT3743*4A*	D*80HE0805C*A*	28,800	20,800	14.50	12.00	26,600	22,400	26,800	8.20	16,600	850	6547478	
CAPT3743*4A*	D*80HE1005C*A*	28,800	20,800	14.50	12.00	26,600	22,400	26,800	8.20	16,600	1,080	6547479	
CAPT3743*4A*	D*96VC0704CXA*	28,800	20,800	14.50	12.00	26,600	22,400	26,600	8.50	16,200	875	6547480	

See Notes on Page 34.



OUTDOOR UNIT	INDOOR UNITS		COOLING CAPACITY (BTU/H)				TVA RATINGS <sup>5</sup>		HEATING CAPACITY			CFM	AHRI #
	COILS/AIR HANDLERS	FURNACES	TOTAL	SENS.	SEER <sup>1</sup>	EER <sup>2</sup>	TOTAL	SENS.	HI	HSPF <sup>4</sup>	LOW		
DZ14SA 0301A* (cont.)	CAPT3743*4A*	D*96VC0714CXA*	28,800	20,800	14.50	12.00	26,600	22,400	26,600	8.20	18,000	875	6547481
	CAPT3743*4A*	D*96MC0604CXA*	28,800	20,800	14.50	12.00	26,600	22,400	26,600	8.20	18,000	855	6592131
	CAPT3743*4A*+EEP		28,400	20,600	14.00	12.00	26,400	22,200	27,200	8.00	18,000	850	6546346
	CAPT3743*4A*+MBVC1600**-1A*		28,800	20,800	15.00	12.50	26,600	22,400	26,800	8.20	18,000	890	6546347
	CHPF3636B6C*+MBVC1200**-1A*+TXV		30,000	21,600	15.00	13.00	27,800	23,400	28,000	8.50	18,000	1,050	6546348
	CHPF3642C6C*+EEP+TXV		28,800	20,800	14.00	12.00	26,600	22,400	28,000	8.50	18,000	1,000	6546349
	CHPF3642C6C*+MBR1600**-1+TXV		28,800	20,800	14.00	12.00	26,600	22,400	29,000	8.50	18,000	1,000	6546350
	CHPF3642C6C*+MBVC1600**-1A*+TXV		28,800	20,800	15.00	12.50	26,600	22,400	29,000	8.50	18,000	1,000	6546351
	CHPF3642C6C*+TXV	G*E80805C*B*	28,800	20,800	14.50	12.20	26,600	22,400	28,400	8.50	16,600	1,060	6546352
	CHPF3642C6C*+TXV	G*E81005C*B*	28,800	20,800	14.50	12.20	26,600	22,400	28,200	8.50	16,600	1,080	6546353
	CHPF3642C6C*+TXV	G*VC80805C*B*	28,800	20,800	14.50	12.20	26,600	22,400	28,600	8.50	16,600	990	6546354
	CHPF3642C6C*+TXV	G*VC950704CXB*	28,800	20,800	14.50	12.20	26,600	22,400	29,000	8.50	18,000	950	6546355
	CHPF3642C6C*+TXV	G*VM960604CXB*	28,800	20,800	14.50	12.20	26,600	22,400	29,000	8.20	18,000	950	6546356
	CHPF3642C6C*+TXV	D*80HE0805C*A*	28,800	20,800	14.50	12.20	26,600	22,400	28,400	8.50	16,600	1,060	6547483
	CHPF3642C6C*+TXV	D*80HE1005C*A*	28,800	20,800	14.50	12.20	26,600	22,400	28,200	8.50	16,600	1,080	6547484
	CHPF3642C6C*+TXV	D*80VC0805C*A*	28,800	20,800	14.50	12.20	26,600	22,400	28,600	8.50	16,600	990	6547485
	CHPF3642C6C*+TXV	D*96VC0704CXA*	28,800	20,800	14.50	12.20	26,600	22,400	29,000	8.50	18,000	950	6547486
	CHPF3642C6C*+TXV	D*96MC0604CXA*	28,800	20,800	14.50	12.20	26,600	22,400	29,000	8.20	18,000	950	6592132
	CHPF3743C6B*+MBVC1600**-1A*+TXV		28,800	20,800	15.00	12.50	26,600	22,400	29,000	8.50	18,000	1,000	6546357
	CHPF3743C6B*+TXV	G*VC950704CXB*	28,800	20,800	14.50	12.20	26,600	22,400	29,000	8.50	18,000	950	6546358
CHPF3743C6B*+TXV	G*VM960604CXB*	28,800	20,800	14.50	12.20	26,600	22,400	29,000	8.20	18,000	950	6546359	
CHPF3743C6B*+TXV	D*96VC0704CXA*	28,800	20,800	14.50	12.20	26,600	22,400	29,000	8.50	18,000	950	6547488	
CHPF3743C6B*+TXV	D*96MC0604CXA*	28,800	20,800	14.50	12.20	26,600	22,400	29,000	8.20	18,000	950	6592133	
CSCF3642N6D*+TXV	G*VC950704CXB*	28,800	20,800	14.50	12.00	26,600	22,400	28,800	8.50	17,800	900	6546360	
CSCF3642N6D*+TXV	D*96VC0704CXA*	28,800	20,800	14.50	12.00	26,600	22,400	28,800	8.50	17,800	900	6547490	
DV36PTCC14A*		28,000	20,200	15.00	12.50	26,000	21,800	27,000	8.50	15,600	930	6546318	
DZ14SA 0361A*	ARPT36C14A*		33,000	25,200	13.50	11.00	30,600	25,600	33,200	8.10	20,000	1,235	6546361
	ARPT36D14A*		33,400	25,600	14.00	11.50	31,000	26,000	30,000	8.30	20,000	1,120	6546362
	ARUF48D14A*		34,000	26,000	13.00	11.50	31,400	26,400	33,000	8.20	20,000	1,125	6546363
	ASPT36C14A*		32,000	24,400	14.00	12.00	29,600	24,800	32,000	8.20	19,300	1,095	6546368
	ASPT42C14A*		33,000	25,200	14.00	12.00	30,600	25,600	33,000	8.00	19,000	1,125	7041806
	ASPT42D14A*		34,200	26,200	15.00	12.50	31,600	26,600	32,000	8.50	19,000	1,145	6546369
	ASUF39C14A*		33,600	25,600	14.00	12.00	31,200	26,200	32,000	8.20	19,000	1,200	6563955
	ASUF39C14A*+TXV		33,600	25,600	14.00	12.00	31,200	26,200	32,000	8.20	19,000	1,200	6563956
	AVPTC36C14A*		32,000	24,400	14.00	12.00	29,600	24,800	32,000	8.00	19,300	1,100	6563958
	AVPTC42D14A*		34,200	26,200	15.00	12.50	31,600	26,600	32,000	8.50	19,000	1,225	6546372
	AVPTC48C14A*		33,000	25,200	14.00	12.00	30,600	25,600	33,000	8.00	19,000	1,110	7041807
	AWUF37XX16B*+TXV		32,000	24,400	13.50	11.50	29,600	24,800	32,000	8.50	18,000	1,150	6546374
	CA*F4961*6D*	G*E80805C*B*	34,600	26,400	14.50	12.20	32,000	27,000	33,400	8.50	20,000	1,290	6546375
	CA*F4961*6D*	G*E81005C*B*	34,600	26,400	14.50	12.20	32,000	27,000	33,400	8.50	20,000	1,230	6546376
	CA*F4961*6D*	G*VC950704CXB*	34,600	26,400	14.50	12.20	32,000	27,000	33,400	8.50	20,000	1,250	6546377
	CA*F4961*6D*	G*VC950714CXB*	34,600	26,400	14.50	12.20	32,000	27,000	33,400	8.50	20,000	1,250	6546378
	CA*F4961*6D*	G*VC950905CXB*	35,000	26,800	15.00	12.50	32,400	27,200	33,400	8.70	20,000	1,300	6546379
	CA*F4961*6D*	G*VC950905DXB*	35,000	26,800	15.00	12.50	32,400	27,200	33,400	8.90	20,000	1,300	6546380
	CA*F4961*6D*	G*VC950915DXB*	35,000	26,800	15.00	12.50	32,400	27,200	33,400	8.70	20,000	1,300	6546381
	CA*F4961*6D*	G*VC951155DXB*	35,000	26,800	15.00	12.50	32,400	27,200	33,400	8.80	20,000	1,250	6546382
CA*F4961*6D*	G*VM960604CXB*	34,600	26,400	14.50	12.20	32,000	27,000	33,400	8.50	20,000	1,250	6546383	
CA*F4961*6D*	G*VM960805CXB*	35,000	26,800	15.00	12.50	32,400	27,200	33,400	8.70	20,000	1,300	6546384	
CA*F4961*6D*	G*VM960805DXB*	35,000	26,800	15.00	12.50	32,400	27,200	33,400	8.70	20,000	1,300	6546385	
CA*F4961*6D*	G*VM961005DXB*	35,000	26,800	15.00	12.50	32,400	27,200	33,400	8.80	20,000	1,250	6546386	
CA*F4961*6D*	G*VM961155DXB*	35,000	26,800	15.00	12.50	32,400	27,200	33,400	8.80	20,000	1,250	6546387	

See Notes on Page 34.

OUTDOOR UNIT	INDOOR UNITS		COOLING CAPACITY (BTU/H)				TVA RATINGS <sup>3</sup>		HEATING CAPACITY			CFM	AHRI #	
	COILS/AIR HANDLERS	FURNACES	TOTAL	SENS.	SEER <sup>1</sup>	EER <sup>2</sup>	TOTAL	SENS.	HI	HSPF <sup>4</sup>	LOW			
DZ14SA 0361A* (cont.)	CA*F4961*6D*	D*80HE0805C*A*	34,600	26,400	14.50	12.20	32,000	27,000	33,400	8.50	20,000	1,290	6547491	
	CA*F4961*6D*	D*80HE1005C*A*	34,600	26,400	14.50	12.20	32,000	27,000	33,400	8.50	20,000	1,230	6547492	
	CA*F4961*6D*	D*96VC0704CXA*	34,600	26,400	14.50	12.20	32,000	27,000	33,400	8.50	20,000	1,250	6547493	
	CA*F4961*6D*	D*96VC0714CXA*	34,600	26,400	14.50	12.20	32,000	27,000	33,400	8.50	20,000	1,250	6547494	
	CA*F4961*6D*	D*96VC0905CXA*	35,000	26,800	15.00	12.50	32,400	27,200	33,400	8.70	20,000	1,300	6547495	
	CA*F4961*6D*	D*96VC0905DXA*	35,000	26,800	15.00	12.50	32,400	27,200	33,400	8.90	20,000	1,300	6547496	
	CA*F4961*6D*	D*96VC0915DXA*	35,000	26,800	15.00	12.50	32,400	27,200	33,400	8.70	20,000	1,300	6547497	
	CA*F4961*6D*	D*96VC1155DXA*	35,000	26,800	15.00	12.50	32,400	27,200	33,400	8.80	20,000	1,250	6547498	
	CA*F4961*6D*	D*96MC0604CXA*	34,600	26,400	14.50	12.20	32,000	27,000	33,400	8.50	20,000	1,250	6592134	
	CA*F4961*6D*	D*96MC0805CXA*	35,000	26,800	15.00	12.50	32,400	27,200	33,400	8.70	20,000	1,300	6592135	
	CA*F4961*6D*	D*96MC0805DXA*	35,000	26,800	15.00	12.50	32,400	27,200	33,400	8.70	20,000	1,300	6592136	
	CA*F4961*6D*	D*96MC1005DXA*	35,000	26,800	15.00	12.50	32,400	27,200	33,400	8.80	20,000	1,250	6592137	
	CA*F4961*6D*	D*96MC1155DXA*	35,000	26,800	15.00	12.50	32,400	27,200	33,400	8.80	20,000	1,250	6592138	
	CA*F4961*6D*+EEP			34,800	26,600	14.00	12.00	32,200	27,000	33,400	8.50	20,000	1,250	6546388
	CA*F4961*6D*+EEP+TXV			35,000	26,800	14.00	12.00	32,400	27,200	33,400	8.50	20,000	1,250	6546389
	CA*F4961*6D*+MBR1600**-1			34,600	26,400	14.00	12.00	32,000	27,000	33,400	8.50	20,000	1,275	6546390
	CA*F4961*6D*+MBR1600**-1+TXV			34,600	26,400	14.00	12.00	32,000	27,000	33,400	8.50	20,000	1,275	6546391
	CA*F4961*6D*+MBVC1600**-1A*			35,000	26,800	14.50	12.20	32,400	27,200	33,000	9.00	20,000	1,250	6546392
	CA*F4961*6D*+MBVC1600**-1A*+TXV			35,000	26,800	14.50	12.20	32,400	27,200	33,000	9.00	20,000	1,250	6546393
	CA*F4961*6D*+MBVC2000**-1A*			35,000	26,800	15.00	13.00	32,400	27,200	33,000	9.00	20,000	1,250	6546395
	CA*F4961*6D*+MBVC2000**-1A*+TXV			35,000	26,800	15.00	13.00	32,400	27,200	33,000	9.00	20,000	1,250	6546396
	CA*F4961*6D*+TXV	G*E80805C*B*		34,600	26,400	14.50	12.20	32,000	27,000	33,400	8.50	20,000	1,290	6546397
	CA*F4961*6D*+TXV	G*E81005C*B*		34,600	26,400	14.50	12.20	32,000	27,000	33,400	8.50	20,000	1,230	6546399
	CA*F4961*6D*+TXV	G*VC950704CXB*		34,600	26,400	14.50	12.20	32,000	27,000	33,400	8.50	20,000	1,250	6546400
	CA*F4961*6D*+TXV	G*VC950714CXB*		34,600	26,400	14.50	12.20	32,000	27,000	33,400	8.50	20,000	1,250	6546402
	CA*F4961*6D*+TXV	G*VC950905CXB*		35,000	26,800	15.00	12.50	32,400	27,200	33,400	8.70	20,000	1,300	6546404
	CA*F4961*6D*+TXV	G*VC950905DXB*		35,000	26,800	15.00	12.50	32,400	27,200	33,400	8.90	20,000	1,300	6546406
	CA*F4961*6D*+TXV	G*VC950915DXB*		35,000	26,800	15.00	12.50	32,400	27,200	33,400	8.80	20,000	1,300	6546407
	CA*F4961*6D*+TXV	G*VC951155DXB*		35,000	26,800	15.00	12.50	32,400	27,200	33,400	8.80	20,000	1,250	6546409
	CA*F4961*6D*+TXV	G*VM960604CXB*		34,600	26,400	14.50	12.20	32,000	27,000	33,400	8.50	20,000	1,250	6546411
	CA*F4961*6D*+TXV	G*VM960805CXB*		35,000	26,800	15.00	12.50	32,400	27,200	33,400	8.70	20,000	1,300	6546413
	CA*F4961*6D*+TXV	G*VM960805DXB*		35,000	26,800	15.00	12.50	32,400	27,200	33,400	8.80	20,000	1,300	6546414
	CA*F4961*6D*+TXV	G*VM961005DXB*		35,000	26,800	15.00	12.50	32,400	27,200	33,400	8.80	20,000	1,250	6546417
	CA*F4961*6D*+TXV	G*VM961155DXB*		35,000	26,800	15.00	12.50	32,400	27,200	33,400	8.80	20,000	1,250	6546418
	CA*F4961*6D*+TXV	D*80HE0805C*A*		34,600	26,400	14.50	12.20	32,000	27,000	33,400	8.50	20,000	1,290	6547504
	CA*F4961*6D*+TXV	D*80HE1005C*A*		34,600	26,400	14.50	12.20	32,000	27,000	33,400	8.50	20,000	1,230	6547505
	CA*F4961*6D*+TXV	D*96VC0704CXA*		34,600	26,400	14.50	12.20	32,000	27,000	33,400	8.50	20,000	1,250	6547506
	CA*F4961*6D*+TXV	D*96VC0714CXA*		34,600	26,400	14.50	12.20	32,000	27,000	33,400	8.50	20,000	1,250	6547507
	CA*F4961*6D*+TXV	D*96VC0905CXA*		35,000	26,800	15.00	12.50	32,400	27,200	33,400	8.70	20,000	1,300	6547508
	CA*F4961*6D*+TXV	D*96VC0905DXA*		35,000	26,800	15.00	12.50	32,400	27,200	33,400	8.90	20,000	1,300	6547509
	CA*F4961*6D*+TXV	D*96VC0915DXA*		35,000	26,800	15.00	12.50	32,400	27,200	33,400	8.80	20,000	1,300	6547510
	CA*F4961*6D*+TXV	D*96VC1155DXA*		35,000	26,800	15.00	12.50	32,400	27,200	33,400	8.80	20,000	1,250	6547511
	CA*F4961*6D*+TXV	D*96MC0604CXA*		34,600	26,400	14.50	12.20	32,000	27,000	33,400	8.50	20,000	1,250	6592139
	CA*F4961*6D*+TXV	D*96MC0805CXA*		35,000	26,800	15.00	12.50	32,400	27,200	33,400	8.70	20,000	1,300	6592140
	CA*F4961*6D*+TXV	D*96MC0805DXA*		35,000	26,800	15.00	12.50	32,400	27,200	33,400	8.80	20,000	1,300	6592141
	CA*F4961*6D*+TXV	D*96MC1005DXA*		35,000	26,800	15.00	12.50	32,400	27,200	33,400	8.80	20,000	1,250	6592142
	CA*F4961*6D*+TXV	D*96MC1155DXA*		35,000	26,800	15.00	12.50	32,400	27,200	33,400	8.80	20,000	1,250	6592143
	CHPF3743C6B*+MBVC1600**-1A*			33,400	25,600	14.50	12.00	31,000	26,000	33,000	8.50	18,000	1,250	6546420
CHPF4860D6D*	G*VC950704CXB*		34,600	26,400	15.00	12.50	32,000	27,000	33,400	8.80	20,000	1,250	6546422	
CHPF4860D6D*	G*VC951155DXB*		34,600	26,400	15.00	12.50	32,000	27,000	33,400	8.80	20,000	1,250	6546424	
CHPF4860D6D*	G*VM960604CXB*		34,600	26,400	15.00	12.50	32,000	27,000	33,400	8.50	20,000	1,250	6546426	

See Notes on Page 34.

OUTDOOR UNIT	INDOOR UNITS		COOLING CAPACITY (BTU/H)				TVA RATINGS <sup>3</sup>		HEATING CAPACITY			CFM	AHRI #
	COILS/AIR HANDLERS	FURNACES	TOTAL	SENS.	SEER <sup>1</sup>	EER <sup>2</sup>	TOTAL	SENS.	HI	HSPF <sup>4</sup>	LOW		
DZ14SA 0361A* (cont.)	CHPF4860D6D*	G*VM961005DXB*	34,600	26,400	15.00	12.50	32,000	27,000	33,400	8.80	20,000	1,250	6546427
	CHPF4860D6D*	G*VM961155DXB*	34,600	26,400	15.00	12.50	32,000	27,000	33,400	8.80	20,000	1,250	6546428
	CHPF4860D6D*	D*96VC0704CXA*	34,600	26,400	15.00	12.50	32,000	27,000	33,400	8.80	20,000	1,250	6547517
	CHPF4860D6D*	D*96VC1155DXA*	34,600	26,400	15.00	12.50	32,000	27,000	33,400	8.80	20,000	1,250	6547518
	CHPF4860D6D*	D*96MC0604CXA*	34,600	26,400	15.00	12.50	32,000	27,000	33,400	8.50	20,000	1,250	6592144
	CHPF4860D6D*	D*96MC1005DXA*	34,600	26,400	15.00	12.50	32,000	27,000	33,400	8.80	20,000	1,250	6592145
	CHPF4860D6D*	D*96MC1155DXA*	34,600	26,400	15.00	12.50	32,000	27,000	33,400	8.80	20,000	1,250	6592146
	CHPF4860D6D*+EEP		34,800	26,600	14.00	12.00	32,200	27,000	33,000	8.60	20,000	1,250	6546430
	CHPF4860D6D*+EEP+TXV		35,000	26,800	14.00	12.00	32,400	27,200	33,000	8.60	20,000	1,250	6546432
	CHPF4860D6D*+MBVC2000**-1A*		34,600	26,400	15.00	13.00	32,000	27,000	33,000	9.00	20,000	1,200	6546434
	CHPF4860D6D*+MBVC2000**-1A*+TXV		34,600	26,400	15.00	13.00	32,000	27,000	33,000	9.00	20,000	1,200	6546435
	CHPF4860D6D*+TXV	G*VC950905DXB*	34,600	26,400	15.00	12.50	32,000	27,000	33,400	8.80	20,000	1,275	6546437
	CHPF4860D6D*+TXV	G*VC951155DXB*	34,600	26,400	15.00	12.50	32,000	27,000	33,400	8.80	20,000	1,250	6546439
	CHPF4860D6D*+TXV	G*VM961005DXB*	34,600	26,400	15.00	12.50	32,000	27,000	33,400	8.80	20,000	1,250	6546440
	CHPF4860D6D*+TXV	G*VM961155DXB*	34,600	26,400	15.00	12.50	32,000	27,000	33,400	8.80	20,000	1,250	6546441
	CHPF4860D6D*+TXV	D*96VC0905DXA*	34,600	26,400	15.00	12.50	32,000	27,000	33,400	8.80	20,000	1,275	6547522
	CHPF4860D6D*+TXV	D*96VC1155DXA*	34,600	26,400	15.00	12.50	32,000	27,000	33,400	8.80	20,000	1,250	6547523
	CHPF4860D6D*+TXV	D*96MC1005DXA*	34,600	26,400	15.00	12.50	32,000	27,000	33,400	8.80	20,000	1,250	6592147
	CHPF4860D6D*+TXV	D*96MC1155DXA*	34,600	26,400	15.00	12.50	32,000	27,000	33,400	8.80	20,000	1,250	6592148
	CSCF4860N6D*	G*VC951155DXB*	34,600	26,400	15.00	12.50	32,000	27,000	33,200	8.80	20,000	1,225	6546442
	CSCF4860N6D*	D*96VC1155DXA*	34,600	26,400	15.00	12.50	32,000	27,000	33,200	8.80	20,000	1,225	6547526
	CSCF4860N6D*+MBVC1600**-1A*+TXV		34,600	26,400	15.00	12.50	32,000	27,000	33,200	8.80	20,000	1,200	6546443
	CSCF4860N6D*+MBVC2000**-1A*+TXV		34,600	26,400	15.00	12.50	32,000	27,000	33,200	8.80	20,000	1,175	6546444
	CSCF4860N6D*+TXV	G*VC951155DXB*	34,600	26,400	15.00	12.50	32,000	27,000	33,200	8.80	20,000	1,225	6546445
CSCF4860N6D*+TXV	D*96VC1155DXA*	34,600	26,400	15.00	12.50	32,000	27,000	33,200	8.80	20,000	1,225	6547527	
DV36PTCC14A*		32,000	24,400	14.00	12.00	29,600	24,800	32,000	8.00	19,300	1,100	6546370	
DV42PTCD14A*		34,200	26,200	15.00	12.50	31,600	26,600	32,000	8.50	19,000	1,225	6546373	
DV48PTCC14A*		33,000	25,200	14.00	12.00	30,600	25,600	33,000	8.00	19,000	1,110	7041808	
DZ14SA 0381A*	ASPT36C14A*		33,000	25,400	15.00	12.50	30,600	25,000	33,000	8.20	20,400	1,100	7065444
	ASPT42C14A*		33,600	25,800	15.00	12.50	31,200	25,600	34,000	9.00	20,600	1,175	7065442
	ASPT42D14A*		33,000	25,400	15.00	12.50	30,600	25,000	33,000	8.50	20,400	1,145	7065445
	ASUF39C14A*+TXV		33,000	25,400	15.00	12.50	30,600	25,000	33,000	8.20	20,400	1,100	7065446
	AVPTC42D14A*		33,000	25,400	15.00	12.50	30,600	25,000	33,000	8.50	20,400	1,225	7065447
	AVPTC48C14A*		33,600	25,800	15.00	12.50	31,200	25,600	34,000	9.00	20,600	1,150	7065443
	AVPTC48D14A*		34,600	26,600	16.00	13.00	32,000	26,200	34,000	9.00	21,000	1,150	7065448
	AWUF37XX16B*+TXV		32,000	24,600	14.00	11.50	29,600	24,200	32,000	8.50	18,000	1,150	7065450
	CA*F3743*6D*+TXV	G*E80805C*B*	34,600	26,600	15.00	12.50	32,000	26,200	34,000	9.00	21,000	1,200	7065460
	CA*F3743*6D*+TXV	G*VC80604B*B*	34,000	26,200	15.00	12.50	31,400	25,800	34,000	8.50	21,000	1,220	7065462
	CA*F3743*6D*+TXV	G*VC80805C*B*	34,600	26,600	15.00	12.50	32,000	26,200	34,000	9.00	21,000	1,200	7065464
	CA*F3743*6D*+TXV	G*VC950905DXB*	34,600	26,600	15.00	12.50	32,000	26,200	34,400	9.00	21,000	1,100	7065469
	CA*F3743*6D*+TXV	G*VC950915DXB*	34,600	26,600	15.00	12.50	32,000	26,200	34,400	9.00	21,000	1,100	7065474
	CA*F3743*6D*+TXV	G*VC951155DXB*	34,600	26,600	15.00	12.50	32,000	26,200	34,400	9.00	21,000	1,100	7065477
	CA*F3743*6D*+TXV	G*VM960805DXB*	34,600	26,600	15.00	12.50	32,000	26,200	34,400	9.00	21,000	1,100	7065482
	CA*F3743*6D*+TXV	G*VM961005DXB*	34,600	26,600	15.00	12.50	32,000	26,200	34,400	9.00	21,000	1,100	7065486
	CA*F3743*6D*+TXV	G*VM961155DXB*	34,600	26,600	15.00	12.50	32,000	26,200	34,400	9.00	21,000	1,100	7065489
	CA*F3743*6D*+TXV	DD80VC0805C*A*	34,600	26,600	15.00	12.50	32,000	26,200	34,000	9.00	21,000	1,200	7065492
	CA*F3743*6D*+TXV	D*80HE0805C*A*	34,600	26,600	15.00	12.50	32,000	26,200	34,000	9.00	21,000	1,200	7065494
	CA*F3743*6D*+TXV	D*80VC0604B*A*	34,000	26,200	15.00	12.50	31,400	25,800	34,000	8.50	21,000	1,220	7065496
	CA*F3743*6D*+TXV	D*80VC0805C*A*	34,600	26,600	15.00	12.50	32,000	26,200	34,000	9.00	21,000	1,200	7065498
	CA*F3743*6D*+TXV	D*96VC0905DXA*	34,600	26,600	15.00	12.50	32,000	26,200	34,400	9.00	21,000	1,100	7065503
	CA*F3743*6D*+TXV	D*96VC0915DXA*	34,600	26,600	15.00	12.50	32,000	26,200	34,400	9.00	21,000	1,100	7065508
	CA*F3743*6D*+TXV	D*96VC1155DXA*	34,600	26,600	15.00	12.50	32,000	26,200	34,400	9.00	21,000	1,100	7065511
CA*F3743*6D*+TXV	D*96MC0805DXA*	34,600	26,600	15.00	12.50	32,000	26,200	34,400	9.00	21,000	1,100	7065516	
CA*F3743*6D*+TXV	D*96MC1005DXA*	34,600	26,600	15.00	12.50	32,000	26,200	34,400	9.00	21,000	1,100	7065520	
CA*F3743*6D*+TXV	D*96MC1155DXA*	34,600	26,600	15.00	12.50	32,000	26,200	34,400	9.00	21,000	1,100	7065523	

See Notes on Page 34.

OUTDOOR UNIT	INDOOR UNITS		COOLING CAPACITY (BTU/H)				TVA RATINGS <sup>3</sup>		HEATING CAPACITY			CFM	AHRI #
	COILS/AIR HANDLERS	FURNACES	TOTAL	SENS.	SEER <sup>1</sup>	EER <sup>2</sup>	TOTAL	SENS.	HI	HSPF <sup>4</sup>	LOW		
DZ14SA 0381A* (cont.)	CA*F4961*6D*+EEP+TXV		34,600	26,600	14.50	12.20	32,000	26,200	34,400	8.20	21,000	1,100	7065451
	CA*F4961*6D*+MBVC2000**-1A*+TXV		34,600	26,600	16.00	13.00	32,000	26,200	34,400	9.00	21,000	1,150	7065452
	CA*F4961*6D*+TXV	G*VC950704CXB*	35,000	27,000	15.50	12.50	32,400	26,600	34,000	9.00	23,000	1,200	7065466
	CA*F4961*6D*+TXV	G*VC950714CXB*	35,000	27,000	15.50	12.50	32,400	26,600	34,000	9.00	23,000	1,200	7065468
	CA*F4961*6D*+TXV	G*VC950905DXB*	34,600	26,600	16.00	13.00	32,000	26,200	34,400	9.00	21,000	1,100	7065470
	CA*F4961*6D*+TXV	G*VC950915DXB*	34,600	26,600	16.00	13.00	32,000	26,200	34,400	9.00	21,000	1,100	7065475
	CA*F4961*6D*+TXV	G*VM960604CXB*	35,000	27,000	15.00	12.50	32,400	26,600	34,000	9.00	23,000	1,200	7065481
	CA*F4961*6D*+TXV	G*VM960805DXB*	34,600	26,600	16.00	13.00	32,000	26,200	34,400	9.00	21,000	1,100	7065483
	CA*F4961*6D*+TXV	D*96VC0704CXA*	35,000	27,000	15.50	12.50	32,400	26,600	34,000	9.00	23,000	1,200	7065500
	CA*F4961*6D*+TXV	D*96VC0714CXA*	35,000	27,000	15.50	12.50	32,400	26,600	34,000	9.00	23,000	1,200	7065502
	CA*F4961*6D*+TXV	D*96VC0905DXA*	34,600	26,600	16.00	13.00	32,000	26,200	34,400	9.00	21,000	1,100	7065504
	CA*F4961*6D*+TXV	D*96VC0915DXA*	34,600	26,600	16.00	13.00	32,000	26,200	34,400	9.00	21,000	1,100	7065509
	CA*F4961*6D*+TXV	D*96MC0604CXA*	35,000	27,000	15.00	12.50	32,400	26,600	34,000	9.00	23,000	1,200	7065515
	CA*F4961*6D*+TXV	D*96MC0805DXA*	34,600	26,600	16.00	13.00	32,000	26,200	34,400	9.00	21,000	1,100	7065517
	CAPT3743*4A*	G*E80805C*B*	33,400	25,800	15.00	12.50	31,000	25,400	33,200	9.00	21,000	995	7065461
	CAPT3743*4A*	G*VC80604B*B*	33,400	25,800	15.00	12.50	31,000	25,400	33,200	8.50	21,000	1,000	7065463
	CAPT3743*4A*	G*VC80805C*B*	33,400	25,800	15.00	12.50	31,000	25,400	33,200	9.00	21,000	1,000	7065465
	CAPT3743*4A*	G*VC950905DXB*	33,400	25,800	15.00	12.50	31,000	25,400	33,200	9.00	21,000	1,005	7065471
	CAPT3743*4A*	G*VC950915DXB*	33,400	25,800	15.00	12.50	31,000	25,400	33,200	9.00	21,000	1,000	7065476
	CAPT3743*4A*	G*VC951155DXB*	33,400	25,800	15.00	12.50	31,000	25,400	33,600	9.00	21,000	1,020	7065478
	CAPT3743*4A*	G*VM960805DXB*	33,400	25,800	15.00	12.50	31,000	25,400	33,600	9.00	21,000	1,000	7065484
	CAPT3743*4A*	G*VM961005DXB*	33,400	25,800	15.00	12.50	31,000	25,400	33,600	9.00	21,000	1,020	7065487
	CAPT3743*4A*	G*VM961155DXB*	33,400	25,800	15.00	12.50	31,000	25,400	33,600	9.00	21,000	1,020	7065490
	CAPT3743*4A*	DD80VC0805C*A*	33,400	25,800	15.00	12.50	31,000	25,400	33,000	9.00	21,000	990	7065493
	CAPT3743*4A*	D*80HE0805C*A*	33,400	25,800	15.00	12.50	31,000	25,400	33,200	9.00	21,000	995	7065495
	CAPT3743*4A*	D*80VC0604B*A*	33,400	25,800	15.00	12.50	31,000	25,400	33,200	8.50	21,000	1,000	7065497
	CAPT3743*4A*	D*80VC0805C*A*	33,400	25,800	15.00	12.50	31,000	25,400	33,200	9.00	21,000	1,000	7065499
	CAPT3743*4A*	D*96VC0905DXA*	33,400	25,800	15.00	12.50	31,000	25,400	33,200	9.00	21,000	1,005	7065505
	CAPT3743*4A*	D*96VC0915DXA*	33,400	25,800	15.00	12.50	31,000	25,400	33,200	9.00	21,000	1,000	7065510
	CAPT3743*4A*	D*96VC1155DXA*	33,400	25,800	15.00	12.50	31,000	25,400	33,600	9.00	21,000	1,020	7065512
	CAPT3743*4A*	D*96MC0805DXA*	33,400	25,800	15.00	12.50	31,000	25,400	33,600	9.00	21,000	1,000	7065518
	CAPT3743*4A*	D*96MC1005DXA*	33,400	25,800	15.00	12.50	31,000	25,400	33,600	9.00	21,000	1,020	7065521
	CAPT3743*4A*	D*96MC1155DXA*	33,400	25,800	15.00	12.50	31,000	25,400	33,600	9.00	21,000	1,020	7065524
	CAPT3743*4A*+EEP		32,400	25,000	14.00	11.50	30,000	24,600	32,000	8.00	20,000	1,000	7065453
	CAPT3743*4A*+MBVC1600**-1A*		32,400	25,000	15.00	12.50	30,000	24,600	32,000	8.50	20,000	1,000	7065454
	CHPF3743D6B*+MBVC2000**-1A*+TXV		34,600	26,600	15.00	12.50	32,000	26,200	34,400	8.50	21,000	1,200	7065455
	CHPF4860D6D*+EEP+TXV		34,600	26,600	14.50	12.20	32,000	26,200	34,400	8.20	21,000	1,100	7065456
	CHPF4860D6D*+MBVC2000**-1A*+TXV		34,600	26,600	16.00	13.00	32,000	26,200	34,400	9.00	21,000	1,150	7065457
	CHPF4860D6D*+TXV	G*VC950905DXB*	34,600	26,600	16.00	13.00	32,000	26,200	34,400	9.00	21,000	1,100	7065472
	CHPF4860D6D*+TXV	G*VC951155DXB*	34,600	26,600	16.00	13.00	32,000	26,200	34,400	9.00	21,000	1,100	7065479
	CHPF4860D6D*+TXV	G*VM960805DXB*	34,600	26,600	16.00	13.00	32,000	26,200	34,400	9.00	21,000	1,100	7065485
	CHPF4860D6D*+TXV	G*VM961005DXB*	34,600	26,600	16.00	13.00	32,000	26,200	34,400	9.00	21,000	1,100	7065488
	CHPF4860D6D*+TXV	G*VM961155DXB*	34,600	26,600	16.00	13.00	32,000	26,200	34,400	9.00	21,000	1,100	7065491
	CHPF4860D6D*+TXV	D*96VC0905DXA*	34,600	26,600	16.00	13.00	32,000	26,200	34,400	9.00	21,000	1,100	7065506
	CHPF4860D6D*+TXV	D*96VC1155DXA*	34,600	26,600	16.00	13.00	32,000	26,200	34,400	9.00	21,000	1,100	7065513
	CHPF4860D6D*+TXV	D*96MC0805DXA*	34,600	26,600	16.00	13.00	32,000	26,200	34,400	9.00	21,000	1,100	7065519
	CHPF4860D6D*+TXV	D*96MC1005DXA*	34,600	26,600	16.00	13.00	32,000	26,200	34,400	9.00	21,000	1,100	7065522
	CHPF4860D6D*+TXV	D*96MC1155DXA*	34,600	26,600	16.00	13.00	32,000	26,200	34,400	9.00	21,000	1,100	7065525
CSCF4860N6D*+TXV	G*VC950704CXB*	35,000	27,000	15.50	12.50	32,400	26,600	34,600	9.00	21,000	1,225	7065467	
CSCF4860N6D*+TXV	G*VC950905DXB*	34,600	26,600	16.00	13.00	32,000	26,200	34,400	9.00	21,000	1,150	7065473	
CSCF4860N6D*+TXV	G*VC951155DXB*	34,600	26,600	16.00	13.00	32,000	26,200	34,400	9.00	21,000	1,150	7065480	
CSCF4860N6D*+TXV	D*96VC0704CXA*	35,000	27,000	15.50	12.50	32,400	26,600	34,600	9.00	21,000	1,225	7065501	
CSCF4860N6D*+TXV	D*96VC0905DXA*	34,600	26,600	16.00	13.00	32,000	26,200	34,400	9.00	21,000	1,150	7065507	
CSCF4860N6D*+TXV	D*96VC1155DXA*	34,600	26,600	16.00	13.00	32,000	26,200	34,400	9.00	21,000	1,150	7065514	
DV48PTCC14A*		33,600	25,800	15.00	12.50	31,200	25,600	34,000	9.00	20,600	1,150	7065449	

See Notes on Page 34.

OUTDOOR UNIT	INDOOR UNITS		COOLING CAPACITY (BTU/H)				TVA RATINGS <sup>5</sup>		HEATING CAPACITY			CFM	AHRI #
	COILS/AIR HANDLERS	FURNACES	TOTAL	SENS.	SEER <sup>1</sup>	EER <sup>2</sup>	TOTAL	SENS.	HI	HSPF <sup>4</sup>	LOW		
DZ14SA 0421A*	ARPT42D14A*		40,000	29,400	14.00	11.50	37,200	30,400	40,000	8.50	24,200	1,330	6546446
	ARPT48D14A*		40,500	29,800	14.00	12.00	37,600	30,800	40,000	8.50	24,200	1,280	6546447
	ARUF48D14A*		40,000	29,400	13.00	11.00	37,200	30,400	40,000	8.00	24,200	1,350	6546448
	ARUF48D14A*+TXV		40,000	29,400	14.00	11.50	37,200	30,400	40,000	8.20	24,200	1,280	6546449
	ASPT48C14A*		39,000	28,600	14.00	12.00	36,200	29,600	40,000	9.00	23,000	1,400	7080514
	ASPT48D14A*		41,500	30,600	15.00	12.50	38,500	31,600	40,000	9.00	23,000	1,410	6546452
	ASPT60D14A*		41,500	30,600	15.00	12.50	38,500	31,600	40,000	9.00	23,000	1,410	6546453
	ASUF49C14A*		38,000	28,000	13.50	11.00	35,200	29,000	39,500	8.00	24,000	1,350	6546454
	AVPTC48C14A*		39,000	28,600	14.00	12.00	36,200	29,600	40,000	9.00	23,000	1,400	7080515
	AVPTC48D14A*		41,500	30,600	15.00	12.50	38,500	31,600	40,000	9.00	23,000	1,400	6546456
	AVPTC60D14A*		41,500	30,600	15.00	12.50	38,500	31,600	40,000	9.00	23,000	1,420	6546459
	CA*F4860*6D*+TXV	G*VC950704CXB*	40,000	29,400	14.50	12.20	37,200	30,400	41,000	8.75	25,000	1,200	6546463
	CA*F4860*6D*+TXV	G*VC950714CXB*	40,000	29,400	14.50	12.20	37,200	30,400	41,000	8.75	25,000	1,200	6546465
	CA*F4860*6D*+TXV	D*96VC0704CXA*	40,000	29,400	14.50	12.20	37,200	30,400	41,000	8.75	25,000	1,200	6547528
	CA*F4860*6D*+TXV	D*96VC0714CXA*	40,000	29,400	14.50	12.20	37,200	30,400	41,000	8.75	25,000	1,200	6547529
	CA*F4961*6D*	G*VC81005C*B*	40,000	29,400	14.50	12.50	37,200	30,400	40,500	8.50	25,000	1,370	6546467
	CA*F4961*6D*	G*VC950905DXB*	40,000	29,400	15.00	12.50	37,200	30,400	41,000	9.00	25,000	1,200	6546469
	CA*F4961*6D*	G*VC950915DXB*	40,000	29,400	15.00	12.50	37,200	30,400	41,000	9.00	25,000	1,200	6546471
	CA*F4961*6D*	G*VC951155DXB*	40,000	29,400	15.00	12.50	37,200	30,400	41,000	9.00	25,000	1,200	6546473
	CA*F4961*6D*	G*VM961005DXB*	40,000	29,400	15.00	12.50	37,200	30,400	41,000	9.00	25,000	1,200	6546475
	CA*F4961*6D*	G*VM961155DXB*	40,000	29,400	15.00	12.50	37,200	30,400	41,000	9.00	25,000	1,200	6546477
	CA*F4961*6D*	D*80VC1005C*A*	40,000	29,400	14.50	12.50	37,200	30,400	40,500	8.50	25,000	1,370	6547530
	CA*F4961*6D*	D*96VC0905DXA*	40,000	29,400	15.00	12.50	37,200	30,400	41,000	9.00	25,000	1,200	6547531
	CA*F4961*6D*	D*96VC0915DXA*	40,000	29,400	15.00	12.50	37,200	30,400	41,000	9.00	25,000	1,200	6547532
	CA*F4961*6D*	D*96VC1155DXA*	40,000	29,400	15.00	12.50	37,200	30,400	41,000	9.00	25,000	1,200	6547533
	CA*F4961*6D*	D*96MC1005DXA*	40,000	29,400	15.00	12.50	37,200	30,400	41,000	9.00	25,000	1,200	6592149
	CA*F4961*6D*	D*96MC1155DXA*	40,000	29,400	15.00	12.50	37,200	30,400	41,000	9.00	25,000	1,200	6592150
	CA*F4961*6D*+EEP		41,000	30,200	14.00	12.00	38,000	31,200	41,000	9.00	27,400	1,250	6546479
	CA*F4961*6D*+EEP+TXV		41,000	30,200	14.00	12.00	38,000	31,200	41,000	9.00	27,400	1,250	6546481
	CA*F4961*6D*+MBR2000**-1		40,000	29,400	14.00	12.00	37,200	30,400	41,000	9.00	25,000	1,350	6546483
	CA*F4961*6D*+MBR2000**-1+TXV		40,000	29,400	14.00	12.00	37,200	30,400	41,000	9.00	25,000	1,350	6546485
	CA*F4961*6D*+MBVC2000**-1A*		40,000	29,400	15.00	12.50	37,200	30,400	41,000	9.00	25,000	1,350	6546488
	CA*F4961*6D*+MBVC2000**-1A*+TXV		40,000	29,400	15.00	12.50	37,200	30,400	41,000	9.00	25,000	1,350	6546489
	CA*F4961*6D*+TXV	DD80VC0805C*A*	38,500	28,200	14.50	11.50	35,800	29,200	40,500	9.00	25,000	1,190	6546491
	CA*F4961*6D*+TXV	G*VC80805C*B*	39,000	28,600	14.50	11.80	36,200	29,600	40,500	9.00	25,000	1,190	6546494
	CA*F4961*6D*+TXV	G*VC81005C*B*	40,000	29,400	15.00	12.50	37,200	30,400	40,500	8.50	25,000	1,370	6546496
	CA*F4961*6D*+TXV	G*VC950905CXB*	40,000	29,400	15.00	12.50	37,200	30,400	41,000	9.00	25,000	1,325	6546498
	CA*F4961*6D*+TXV	G*VC950905DXB*	40,000	29,400	15.00	12.50	37,200	30,400	41,000	9.00	25,000	1,200	6546499
	CA*F4961*6D*+TXV	G*VC950915DXB*	40,000	29,400	15.00	12.50	37,200	30,400	41,000	9.00	25,000	1,200	6546502
	CA*F4961*6D*+TXV	G*VC951155DXB*	40,000	29,400	15.00	12.50	37,200	30,400	41,000	9.00	25,000	1,200	6546504
	CA*F4961*6D*+TXV	G*VM961005DXB*	40,000	29,400	15.00	12.50	37,200	30,400	41,000	9.00	25,000	1,200	6546506
	CA*F4961*6D*+TXV	G*VM961155DXB*	40,000	29,400	15.00	12.50	37,200	30,400	41,000	9.00	25,000	1,200	6546508
	CA*F4961*6D*+TXV	D*80VC0805C*A*	39,000	28,600	14.50	11.80	36,200	29,600	40,500	9.00	25,000	1,190	6547536
	CA*F4961*6D*+TXV	D*80VC1005C*A*	40,000	29,400	15.00	12.50	37,200	30,400	40,500	8.50	25,000	1,370	6547537
	CA*F4961*6D*+TXV	D*96VC0905CXA*	40,000	29,400	15.00	12.50	37,200	30,400	41,000	9.00	25,000	1,325	6547538
	CA*F4961*6D*+TXV	D*96VC0905DXA*	40,000	29,400	15.00	12.50	37,200	30,400	41,000	9.00	25,000	1,200	6547539
	CA*F4961*6D*+TXV	D*96VC0915DXA*	40,000	29,400	15.00	12.50	37,200	30,400	41,000	9.00	25,000	1,200	6547540
CA*F4961*6D*+TXV	D*96VC1155DXA*	40,000	29,400	15.00	12.50	37,200	30,400	41,000	9.00	25,000	1,200	6547541	
CA*F4961*6D*+TXV	D*96MC1005DXA*	40,000	29,400	15.00	12.50	37,200	30,400	41,000	9.00	25,000	1,200	6592151	
CA*F4961*6D*+TXV	D*96MC1155DXA*	40,000	29,400	15.00	12.50	37,200	30,400	41,000	9.00	25,000	1,200	6592152	
CAPT4961*4A*	DD80VC0805C*A*	38,500	28,200	14.50	11.50	35,800	29,200	40,500	9.00	25,000	1,375	6546509	

See Notes on Page 34.

OUTDOOR UNIT	INDOOR UNITS		COOLING CAPACITY (BTU/H)				TVA RATINGS <sup>5</sup>		HEATING CAPACITY			CFM	AHRI #
	COILS/AIR HANDLERS	FURNACES	TOTAL	SENS.	SEER <sup>1</sup>	EER <sup>2</sup>	TOTAL	SENS.	HI	HSPF <sup>4</sup>	LOW		
DZ14SA 0421A* (cont.)	CAPT4961*4A*	G*VC80805C*B*	39,000	28,600	14.50	11.80	36,200	29,600	40,500	9.00	25,000	1,390	6546512
	CAPT4961*4A*	G*VC950905DXB*	40,000	29,400	15.00	12.50	37,200	30,400	40,500	9.00	25,000	1,315	6546513
	CAPT4961*4A*	G*VC950915DXB*	40,000	29,400	15.00	12.50	37,200	30,400	40,500	9.00	25,000	1,295	6546516
	CAPT4961*4A*	G*VC951155DXB*	40,000	29,400	15.00	13.00	37,200	30,400	40,500	9.00	25,000	1,405	6546518
	CAPT4961*4A*	G*VM961005DXB*	40,000	29,400	15.00	12.50	37,200	30,400	40,500	9.00	25,000	1,405	6546520
	CAPT4961*4A*	G*VM961155DXB*	40,000	29,400	15.00	12.50	37,200	30,400	40,500	9.00	25,000	1,405	6546521
	CAPT4961*4A*	D*80VC0805C*A*	39,000	28,600	14.50	11.80	36,200	29,600	40,500	9.00	25,000	1,390	6547544
	CAPT4961*4A*	D*96VC0905DXA*	40,000	29,400	15.00	12.50	37,200	30,400	40,500	9.00	25,000	1,315	6547545
	CAPT4961*4A*	D*96VC0915DXA*	40,000	29,400	15.00	12.50	37,200	30,400	40,500	9.00	25,000	1,295	6547546
	CAPT4961*4A*	D*96VC1155DXA*	40,000	29,400	15.00	13.00	37,200	30,400	40,500	9.00	25,000	1,405	6547547
	CAPT4961*4A*	D*96MC1005DXA*	40,000	29,400	15.00	12.50	37,200	30,400	40,500	9.00	25,000	1,405	6592153
	CAPT4961*4A*	D*96MC1155DXA*	40,000	29,400	15.00	12.50	37,200	30,400	40,500	9.00	25,000	1,405	6592154
	CAPT4961*4A*+EEP		41,000	30,200	14.00	12.00	38,000	31,200	41,000	8.50	27,400	1,350	6546523
	CAPT4961*4A*+MBR2000**-1		40,000	29,400	14.00	12.00	37,200	30,400	41,000	9.00	25,000	1,380	6546525
	CAPT4961*4A*+MBVC2000**-1A*		40,000	29,400	15.00	13.00	37,200	30,400	40,000	9.00	25,000	1,315	6546527
	CHPF4860D6D*	G*VC950905DXB*	40,000	29,400	15.00	12.50	37,200	30,400	41,000	9.00	25,000	1,200	6546529
	CHPF4860D6D*	G*VC951155DXB*	40,000	29,400	15.00	12.50	37,200	30,400	41,000	9.00	25,000	1,200	6546531
	CHPF4860D6D*	G*VM961005DXB*	40,000	29,400	15.00	12.50	37,200	30,400	41,000	9.00	25,000	1,200	6546533
	CHPF4860D6D*	G*VM961155DXB*	40,000	29,400	15.00	12.50	37,200	30,400	41,000	9.00	25,000	1,200	6546535
	CHPF4860D6D*	D*96VC0905DXA*	40,000	29,400	15.00	12.50	37,200	30,400	41,000	9.00	25,000	1,200	6547550
	CHPF4860D6D*	D*96VC1155DXA*	40,000	29,400	15.00	12.50	37,200	30,400	41,000	9.00	25,000	1,200	6547551
	CHPF4860D6D*	D*96MC1005DXA*	40,000	29,400	15.00	12.50	37,200	30,400	41,000	9.00	25,000	1,200	6592155
	CHPF4860D6D*	D*96MC1155DXA*	40,000	29,400	15.00	12.50	37,200	30,400	41,000	9.00	25,000	1,200	6592156
	CHPF4860D6D*+EEP		41,000	30,200	14.00	12.00	38,000	31,200	41,000	9.00	27,400	1,250	6546536
	CHPF4860D6D*+EEP+TXV		40,000	29,400	14.00	12.00	37,200	30,400	41,000	9.00	27,400	1,300	6546538
	CHPF4860D6D*+MBR2000**-1+TXV		40,000	29,400	14.00	12.00	37,200	30,400	41,000	9.00	27,400	1,250	6546541
	CHPF4860D6D*+MBVC2000**-1A*		40,000	29,400	15.00	12.00	37,200	30,400	41,000	9.00	25,000	1,350	6546543
	CHPF4860D6D*+MBVC2000**-1A*+TXV		40,000	29,400	15.00	12.50	37,200	30,400	41,000	9.00	25,000	1,350	6546545
	CHPF4860D6D*+TXV	G*VC950905DXB*	40,000	29,400	15.00	12.50	37,200	30,400	41,000	9.00	25,000	1,200	6546547
	CHPF4860D6D*+TXV	G*VC951155DXB*	40,000	29,400	15.00	12.50	37,200	30,400	41,000	9.00	25,000	1,200	6546549
	CHPF4860D6D*+TXV	G*VM961005DXB*	40,000	29,400	15.00	12.50	37,200	30,400	41,000	9.00	25,000	1,200	6546550
	CHPF4860D6D*+TXV	G*VM961155DXB*	40,000	29,400	15.00	12.50	37,200	30,400	41,000	9.00	25,000	1,200	6546553
	CHPF4860D6D*+TXV	D*96VC0905DXA*	40,000	29,400	15.00	12.50	37,200	30,400	41,000	9.00	25,000	1,200	6547554
CHPF4860D6D*+TXV	D*96VC1155DXA*	40,000	29,400	15.00	12.50	37,200	30,400	41,000	9.00	25,000	1,200	6547555	
CHPF4860D6D*+TXV	D*96MC1005DXA*	40,000	29,400	15.00	12.50	37,200	30,400	41,000	9.00	25,000	1,200	6592157	
CHPF4860D6D*+TXV	D*96MC1155DXA*	40,000	29,400	15.00	12.50	37,200	30,400	41,000	9.00	25,000	1,200	6592158	
DV48PTCC14A*		39,000	28,600	14.00	12.00	36,200	29,600	40,000	9.00	23,000	1,400	7080516	
DV48PTCD14A*		41,500	30,600	15.00	12.50	38,500	31,600	40,000	9.00	23,000	1,400	6546457	
DV60PTCD14A*		41,500	30,600	15.00	12.50	38,500	31,600	40,000	9.00	23,000	1,420	6546461	
DZ14SA 0481A*	ARPT48D14A*		45,000	33,200	14.00	11.50	41,500	33,800	45,500	8.40	27,000	1,460	6546555
	ARPT60D14A*		45,000	33,200	14.00	11.50	41,500	33,800	45,500	8.40	27,000	1,460	6546556
	ARUF48D14A*+TXV		44,500	32,800	13.50	11.50	41,000	33,400	45,000	8.00	27,000	1,480	6546559
	ASPT48C14A*		44,000	32,400	14.00	12.00	40,500	33,000	45,000	8.50	26,000	1,475	7041809
	ASPT48D14A*		46,500	34,200	15.00	12.50	43,000	34,800	45,500	9.00	26,000	1,400	6546564
	ASPT60D14A*		46,500	34,200	15.00	12.50	43,000	34,800	45,500	9.00	26,000	1,400	6546567
	ASUF59D14A*		46,500	34,200	14.50	12.00	43,000	34,800	45,500	8.20	26,000	1,600	6546569
	ASUF59D14A*+TXV		46,500	34,200	15.00	12.50	43,000	34,800	45,500	8.50	26,000	1,600	6546571
	AVPTC48C14A*		44,000	32,400	14.00	12.00	40,500	33,000	45,000	8.50	26,000	1,445	7041810
	AVPTC48D14A*		46,500	34,200	15.00	12.50	43,000	34,800	45,500	9.00	26,000	1,480	6546575
	CA*F4961*6D*	G*VC91155DXA*	46,000	33,800	14.50	12.00	42,500	34,600	47,000	8.50	30,000	1,500	6546579

See Notes on Page 34.

OUTDOOR UNIT	INDOOR UNITS		COOLING CAPACITY (BTU/H)				TVA RATINGS <sup>3</sup>		HEATING CAPACITY			CFM	AHRI #	
	COILS/AIR HANDLERS	FURNACES	TOTAL	SENS.	SEER <sup>1</sup>	EER <sup>2</sup>	TOTAL	SENS.	HI	HSPF <sup>4</sup>	LOW			
DZ14SA 0481A* (cont.)	CA*F4961*6D*	G*VC950905CXB*	46,000	33,800	14.50	12.00	42,500	34,600	47,000	8.50	30,000	1,500	6546581	
	CA*F4961*6D*	G*VC950905DXB*	46,000	33,800	14.50	12.00	42,500	34,600	47,000	8.50	30,000	1,500	6546583	
	CA*F4961*6D*	G*VC950915DXB*	46,000	33,800	14.50	12.00	42,500	34,600	47,000	8.50	30,000	1,500	6546585	
	CA*F4961*6D*	G*VC951155DXB*	46,000	33,800	14.50	12.00	42,500	34,600	47,000	8.50	30,000	1,500	6546586	
	CA*F4961*6D*	G*VM960805CXB*	46,000	33,800	14.50	12.00	42,500	34,600	47,000	8.50	30,000	1,500	6546588	
	CA*F4961*6D*	G*VM960805DXB*	46,000	33,800	14.50	12.00	42,500	34,600	47,000	8.50	30,000	1,500	6546591	
	CA*F4961*6D*	G*VM961005DXB*	46,000	33,800	14.50	12.00	42,500	34,600	47,000	8.50	30,000	1,500	6546593	
	CA*F4961*6D*	G*VM961155DXB*	46,000	33,800	14.50	12.00	42,500	34,600	47,000	8.50	30,000	1,500	6546594	
	CA*F4961*6D*	D*96VC1155DXA*	46,000	33,800	14.50	12.00	42,500	34,600	47,000	8.50	30,000	1,500	6547558	
	CA*F4961*6D*	D*96VC0905CXA*	46,000	33,800	14.50	12.00	42,500	34,600	47,000	8.50	30,000	1,500	6547559	
	CA*F4961*6D*	D*96VC0905DXA*	46,000	33,800	14.50	12.00	42,500	34,600	47,000	8.50	30,000	1,500	6547560	
	CA*F4961*6D*	D*96VC0915DXA*	46,000	33,800	14.50	12.00	42,500	34,600	47,000	8.50	30,000	1,500	6547561	
	CA*F4961*6D*	D*96MC0805CXA*	46,000	33,800	14.50	12.00	42,500	34,600	47,000	8.50	30,000	1,500	6592159	
	CA*F4961*6D*	D*96MC0805DXA*	46,000	33,800	14.50	12.00	42,500	34,600	47,000	8.50	30,000	1,500	6592160	
	CA*F4961*6D*	D*96MC1005DXA*	46,000	33,800	14.50	12.00	42,500	34,600	47,000	8.50	30,000	1,500	6592161	
	CA*F4961*6D*	D*96MC1155DXA*	46,000	33,800	14.50	12.00	42,500	34,600	47,000	8.50	30,000	1,500	6592162	
	CA*F4961*6D*+EEP			46,000	33,800	14.00	12.00	42,500	34,600	47,000	8.75	30,000	1,550	6546596
	CA*F4961*6D*+EEP+TXV			46,000	33,800	14.00	12.00	42,500	34,600	47,000	8.75	30,000	1,550	6546599
	CA*F4961*6D*+MBR2000**-1			46,000	33,800	14.00	12.00	42,500	34,600	47,000	8.50	30,000	1,550	6546601
	CA*F4961*6D*+MBR2000**-1+TXV			46,000	33,800	14.00	12.00	42,500	34,600	47,000	8.50	30,000	1,550	6546602
	CA*F4961*6D*+MBVC2000**-1A*			46,000	33,800	15.00	12.50	42,500	34,600	46,000	9.00	30,000	1,550	6546604
	CA*F4961*6D*+MBVC2000**-1A*+TXV			46,000	33,800	15.00	12.50	42,500	34,600	46,000	9.00	30,000	1,550	6546607
	CA*F4961*6D*+TXV	DD80VC0805C*A*		46,000	33,800	14.50	12.00	42,500	34,600	47,000	8.50	30,000	1,500	6546608
	CA*F4961*6D*+TXV	DD80VC1005C*A*		46,000	33,800	14.50	12.00	42,500	34,600	47,000	8.50	30,000	1,550	6546611
	CA*F4961*6D*+TXV	G*VC80805C*B*		46,000	33,800	14.50	12.00	42,500	34,600	47,000	8.50	30,000	1,510	6546613
	CA*F4961*6D*+TXV	G*VC81005C*B*		46,000	33,800	14.50	12.00	42,500	34,600	47,000	8.50	30,000	1,520	6546614
	CA*F4961*6D*+TXV	G*VC91155DXA*		46,000	33,800	14.50	12.00	42,500	34,600	47,000	8.50	30,000	1,500	6546616
	CA*F4961*6D*+TXV	G*VC950905CXB*		46,000	33,800	14.50	12.00	42,500	34,600	47,000	8.50	30,000	1,500	6546618
	CA*F4961*6D*+TXV	G*VC950905DXB*		46,000	33,800	14.50	12.00	42,500	34,600	47,000	8.50	30,000	1,500	6546620
	CA*F4961*6D*+TXV	G*VC950915DXB*		46,000	33,800	14.50	12.00	42,500	34,600	47,000	8.50	30,000	1,500	6546622
	CA*F4961*6D*+TXV	G*VC951155DXB*		46,000	33,800	14.50	12.00	42,500	34,600	47,000	8.50	30,000	1,500	6546624
	CA*F4961*6D*+TXV	G*VM960805CXB*		46,000	33,800	14.50	12.00	42,500	34,600	47,000	8.50	30,000	1,500	6546626
	CA*F4961*6D*+TXV	G*VM960805DXB*		46,000	33,800	14.50	12.00	42,500	34,600	47,000	8.50	30,000	1,500	6546628
	CA*F4961*6D*+TXV	G*VM961005DXB*		46,000	33,800	14.50	12.00	42,500	34,600	47,000	8.50	30,000	1,500	6546629
	CA*F4961*6D*+TXV	G*VM961155DXB*		46,000	33,800	14.50	12.00	42,500	34,600	47,000	8.50	30,000	1,500	6546632
	CA*F4961*6D*+TXV	D*80VC0805C*A*		46,000	33,800	14.50	12.00	42,500	34,600	47,000	8.50	30,000	1,510	6547566
	CA*F4961*6D*+TXV	D*80VC1005C*A*		46,000	33,800	14.50	12.00	42,500	34,600	47,000	8.50	30,000	1,520	6547567
	CA*F4961*6D*+TXV	D*96VC1155DXA*		46,000	33,800	14.50	12.00	42,500	34,600	47,000	8.50	30,000	1,500	6547568
	CA*F4961*6D*+TXV	D*96VC0905CXA*		46,000	33,800	14.50	12.00	42,500	34,600	47,000	8.50	30,000	1,500	6547569
	CA*F4961*6D*+TXV	D*96VC0905DXA*		46,000	33,800	14.50	12.00	42,500	34,600	47,000	8.50	30,000	1,500	6547570
	CA*F4961*6D*+TXV	D*96VC0915DXA*		46,000	33,800	14.50	12.00	42,500	34,600	47,000	8.50	30,000	1,500	6547571
	CA*F4961*6D*+TXV	D*96MC0805CXA*		46,000	33,800	14.50	12.00	42,500	34,600	47,000	8.50	30,000	1,500	6592163
	CA*F4961*6D*+TXV	D*96MC0805DXA*		46,000	33,800	14.50	12.00	42,500	34,600	47,000	8.50	30,000	1,500	6592164
	CA*F4961*6D*+TXV	D*96MC1005DXA*		46,000	33,800	14.50	12.00	42,500	34,600	47,000	8.50	30,000	1,500	6592165
	CA*F4961*6D*+TXV	D*96MC1155DXA*		46,000	33,800	14.50	12.00	42,500	34,600	47,000	8.50	30,000	1,500	6592166
CAPT4961*4A*	DD80VC0805C*A*		46,000	33,800	14.50	12.00	42,500	34,600	46,500	8.50	30,000	1,500	6546633	
CAPT4961*4A*	DD80VC1005C*A*		46,000	33,800	14.50	12.00	42,500	34,600	46,500	8.50	30,000	1,545	6546636	
CAPT4961*4A*	G*VC80805C*B*		46,000	33,800	14.50	12.00	42,500	34,600	46,500	8.50	30,000	1,495	6546637	
CAPT4961*4A*	G*VC81005C*B*		46,000	33,800	14.50	12.00	42,500	34,600	46,500	8.50	30,000	1,530	6546639	
CAPT4961*4A*	G*VC91155DXA*		46,000	33,800	14.50	12.00	42,500	34,600	46,000	8.50	30,000	1,395	6546641	

See Notes on Page 34.

OUTDOOR UNIT	INDOOR UNITS		COOLING CAPACITY (BTU/H)				TVA RATINGS <sup>3</sup>		HEATING CAPACITY			CFM	AHRI #	
	COILS/AIR HANDLERS	FURNACES	TOTAL	SENS.	SEER <sup>1</sup>	EER <sup>2</sup>	TOTAL	SENS.	Hi	HSPF <sup>4</sup>	Low			
DZ14SA 0481A* (cont.)	CAPT4961*4A*	G*VC950905CXB*	46,000	33,800	14.50	12.00	42,500	34,600	46,500	8.50	30,000	1,460	6546643	
	CAPT4961*4A*	G*VC950905DXB*	46,000	33,800	14.50	12.00	42,500	34,600	46,500	8.50	30,000	1,460	6546645	
	CAPT4961*4A*	G*VC950915DXB*	46,000	33,800	14.50	12.00	42,500	34,600	46,000	8.50	30,000	1,425	6546647	
	CAPT4961*4A*	G*VC951155DXB*	46,000	33,800	14.50	12.00	42,500	34,600	46,500	8.50	30,000	1,395	6546648	
	CAPT4961*4A*	G*VM960805CXB*	46,000	33,800	14.50	12.00	42,500	34,600	46,500	8.50	30,000	1,465	6546651	
	CAPT4961*4A*	G*VM960805DXB*	46,000	33,800	14.50	12.00	42,500	34,600	46,000	8.50	30,000	1,425	6546652	
	CAPT4961*4A*	G*VM961005DXB*	46,000	33,800	14.50	12.00	42,500	34,600	46,000	8.50	30,000	1,395	6546655	
	CAPT4961*4A*	G*VM961155DXB*	46,000	33,800	14.50	12.00	42,500	34,600	46,000	8.50	30,000	1,395	6546656	
	CAPT4961*4A*	D*80VC0805C*A*	46,000	33,800	14.50	12.00	42,500	34,600	46,500	8.50	30,000	1,495	6547576	
	CAPT4961*4A*	D*80VC1005C*A*	46,000	33,800	14.50	12.00	42,500	34,600	46,500	8.50	30,000	1,530	6547577	
	CAPT4961*4A*	D*96VC1155DXA*	46,000	33,800	14.50	12.00	42,500	34,600	46,000	8.50	30,000	1,395	6547578	
	CAPT4961*4A*	D*96VC0905CXA*	46,000	33,800	14.50	12.00	42,500	34,600	46,500	8.50	30,000	1,460	6547579	
	CAPT4961*4A*	D*96VC0905DXA*	46,000	33,800	14.50	12.00	42,500	34,600	46,500	8.50	30,000	1,460	6547580	
	CAPT4961*4A*	D*96VC0915DXA*	46,000	33,800	14.50	12.00	42,500	34,600	46,000	8.50	30,000	1,425	6547581	
	CAPT4961*4A*	D*96MC0805CXA*	46,000	33,800	14.50	12.00	42,500	34,600	46,500	8.50	30,000	1,465	6592167	
	CAPT4961*4A*	D*96MC0805DXA*	46,000	33,800	14.50	12.00	42,500	34,600	46,000	8.50	30,000	1,425	6592168	
	CAPT4961*4A*	D*96MC1005DXA*	46,000	33,800	14.50	12.00	42,500	34,600	46,000	8.50	30,000	1,395	6592169	
	CAPT4961*4A*	D*96MC1155DXA*	46,000	33,800	14.50	12.00	42,500	34,600	46,000	8.50	30,000	1,395	6592170	
	CAPT4961*4A*+EEP			46,000	33,800	14.00	12.00	42,500	34,600	47,000	8.75	30,000	1,460	6546658
	CAPT4961*4A*+MBR2000**-1			46,000	33,800	14.00	12.00	42,500	34,600	47,000	8.50	30,000	1,560	6546660
	CAPT4961*4A*+MBVC2000**-1A*			46,000	33,800	15.00	13.00	42,500	34,600	46,000	9.00	30,000	1,450	6546663
	CHPF4860D6D*	G*VC91155DXA*	46,000	33,800	14.50	12.00	42,500	34,600	47,000	8.50	30,000	1,500	6546665	
	CHPF4860D6D*	G*VC951155DXB*	46,000	33,800	14.50	12.00	42,500	34,600	47,000	8.50	30,000	1,500	6546667	
	CHPF4860D6D*	G*VM961005DXB*	46,000	33,800	14.50	12.00	42,500	34,600	47,000	8.50	30,000	1,500	6546668	
	CHPF4860D6D*	G*VM961155DXB*	46,000	33,800	14.50	12.00	42,500	34,600	47,000	8.50	30,000	1,500	6546670	
	CHPF4860D6D*	D*96VC1155DXA*	46,000	33,800	14.50	12.00	42,500	34,600	47,000	8.50	30,000	1,500	6547586	
	CHPF4860D6D*	D*96MC1005DXA*	46,000	33,800	14.50	12.00	42,500	34,600	47,000	8.50	30,000	1,500	6592171	
	CHPF4860D6D*	D*96MC1155DXA*	46,000	33,800	14.50	12.00	42,500	34,600	47,000	8.50	30,000	1,500	6592172	
	CHPF4860D6D*+EEP			47,000	34,600	14.00	12.00	43,500	35,200	46,000	9.00	30,000	1,550	6546673
	CHPF4860D6D*+EEP+TXV			47,000	34,600	14.00	12.00	43,500	35,200	46,000	9.00	30,000	1,550	6546675
	CHPF4860D6D*+MBR2000**-1			46,000	33,800	14.50	12.00	42,500	34,600	47,000	8.50	30,000	1,550	6546677
	CHPF4860D6D*+MBR2000**-1+TXV			46,000	33,800	14.50	12.00	42,500	34,600	47,000	8.50	30,000	1,550	6546679
	CHPF4860D6D*+MBR2000**-1A*			46,000	33,800	14.50	12.00	42,500	34,600	47,000	8.50	30,000	1,550	6546681
	CHPF4860D6D*+MBVC2000**-1A*+TXV			46,000	33,800	15.00	12.50	42,500	34,600	46,000	8.50	30,000	1,550	6546683
	CHPF4860D6D*+TXV	G*VC91155DXA*	46,000	33,800	14.50	12.00	42,500	34,600	47,000	8.50	30,000	1,500	6546685	
	CHPF4860D6D*+TXV	G*VC951155DXB*	46,000	33,800	14.50	12.00	42,500	34,600	47,000	8.50	30,000	1,500	6546687	
	CHPF4860D6D*+TXV	G*VM961005DXB*	46,000	33,800	14.50	12.00	42,500	34,600	47,000	8.50	30,000	1,500	6546689	
	CHPF4860D6D*+TXV	G*VM961155DXB*	46,000	33,800	14.50	12.00	42,500	34,600	47,000	8.50	30,000	1,500	6546690	
	CHPF4860D6D*+TXV	D*96VC1155DXA*	46,000	33,800	14.50	12.00	42,500	34,600	47,000	8.50	30,000	1,500	6547589	
	CHPF4860D6D*+TXV	D*96MC1005DXA*	46,000	33,800	14.50	12.00	42,500	34,600	47,000	8.50	30,000	1,500	6592173	
	CHPF4860D6D*+TXV	D*96MC1155DXA*	46,000	33,800	14.50	12.00	42,500	34,600	47,000	8.50	30,000	1,500	6592174	
	CSCF4860N6D*+TXV	G*VC950905CXB*	46,000	33,800	14.50	12.00	42,500	34,600	47,000	8.50	30,000	1,575	6546692	
	CSCF4860N6D*+TXV	G*VC950905DXB*	46,000	33,800	14.50	12.00	42,500	34,600	47,000	8.50	30,000	1,575	6546695	
	CSCF4860N6D*+TXV	G*VC951155DXB*	46,000	33,800	14.50	12.00	42,500	34,600	47,000	8.50	30,000	1,550	6546697	
	CSCF4860N6D*+TXV	D*96VC0905CXA*	46,000	33,800	14.50	12.00	42,500	34,600	47,000	8.50	30,000	1,575	6547592	
	CSCF4860N6D*+TXV	D*96VC0905DXA*	46,000	33,800	14.50	12.00	42,500	34,600	47,000	8.50	30,000	1,575	6547593	
	CSCF4860N6D*+TXV	D*96VC1155DXA*	46,000	33,800	14.50	12.00	42,500	34,600	47,000	8.50	30,000	1,550	6547594	
	DV48PTCC14A*			44,000	32,400	14.00	12.00	40,500	33,000	45,000	8.50	26,000	1,445	7041811
DV48PTCD14A*			46,500	34,200	15.00	12.50	43,000	34,800	45,500	9.00	26,000	1,480	6546577	

See Notes on Page 34.



OUTDOOR UNIT	INDOOR UNITS		COOLING CAPACITY (BTU/H)				TVA RATINGS <sup>3</sup>		HEATING CAPACITY			CFM	AHRI #
	COILS/AIR HANDLERS	FURNACES	TOTAL	SENS.	SEER <sup>1</sup>	EER <sup>2</sup>	TOTAL	SENS.	HI	HSPF <sup>4</sup>	LOW		
DZ14SA 0601A*	ARPT60D14A*		55,500	39,500	13.00	11.50	51,500	40,500	57,500	8.50	36,600	1,780	6546698
	ASPT60D14A*		57,000	40,500	14.00	12.00	53,000	41,500	57,000	8.20	34,800	1,745	6546705
	ASUF59D14A*		57,000	40,500	14.00	12.00	53,000	41,500	60,500	8.20	36,000	1,580	6546707
	ASUF59D14A*+TXV		57,000	40,500	14.00	12.00	53,000	41,500	60,500	8.20	36,200	1,600	6546709
	AVPTC60D14A*		57,000	40,500	14.00	12.00	53,000	41,500	57,000	8.20	34,800	1,630	6546713
	CA*F4961*6D*	G*VC950905CXB*	56,500	40,000	14.00	12.00	52,500	41,500	57,000	8.50	33,000	1,750	6546716
	CA*F4961*6D*	G*VC950905DXB*	56,500	40,000	14.00	12.00	52,500	41,500	57,000	8.50	33,000	1,750	6546719
	CA*F4961*6D*	G*VC950915DXB*	56,500	40,000	14.00	12.00	52,500	41,500	57,000	8.50	33,000	1,750	6546720
	CA*F4961*6D*	G*VC951155DXB*	56,500	40,000	14.00	12.00	52,500	41,500	57,000	8.50	33,000	1,800	6546722
	CA*F4961*6D*	G*VM960805CXB*	56,500	40,000	14.00	12.00	52,500	41,500	57,000	8.50	33,000	1,750	6546724
	CA*F4961*6D*	G*VM960805DXB*	56,500	40,000	14.00	12.00	52,500	41,500	57,000	8.50	33,000	1,750	6546727
	CA*F4961*6D*	G*VM961005DXB*	56,500	40,000	14.00	12.00	52,500	41,500	57,000	8.50	33,000	1,800	6546729
	CA*F4961*6D*	G*VM961155DXB*	56,500	40,000	14.00	12.00	52,500	41,500	57,000	8.50	33,000	1,800	6546730
	CA*F4961*6D*	D*96VC0905CXA*	56,500	40,000	14.00	12.00	52,500	41,500	57,000	8.50	33,000	1,750	6547595
	CA*F4961*6D*	D*96VC0905DXA*	56,500	40,000	14.00	12.00	52,500	41,500	57,000	8.50	33,000	1,750	6547596
	CA*F4961*6D*	D*96VC0915DXA*	56,500	40,000	14.00	12.00	52,500	41,500	57,000	8.50	33,000	1,750	6547597
	CA*F4961*6D*	D*96VC1155DXA*	56,500	40,000	14.00	12.00	52,500	41,500	57,000	8.50	33,000	1,800	6547598
	CA*F4961*6D*	D*96MC0805CXA*	56,500	40,000	14.00	12.00	52,500	41,500	57,000	8.50	33,000	1,750	6592175
	CA*F4961*6D*	D*96MC0805DXA*	56,500	40,000	14.00	12.00	52,500	41,500	57,000	8.50	33,000	1,750	6592176
	CA*F4961*6D*	D*96MC1005DXA*	56,500	40,000	14.00	12.00	52,500	41,500	57,000	8.50	33,000	1,800	6592177
	CA*F4961*6D*	D*96MC1155DXA*	56,500	40,000	14.00	12.00	52,500	41,500	57,000	8.50	33,000	1,800	6592178
	CA*F4961*6D*+EEP		57,000	40,500	14.00	12.00	53,000	41,500	58,000	8.75	39,500	1,800	6546733
	CA*F4961*6D*+EEP+TXV		57,000	40,500	14.00	12.00	53,000	41,500	58,000	8.75	39,000	1,800	6546734
	CA*F4961*6D*+MBR2000**-1		56,500	40,000	14.00	12.00	52,500	41,500	57,000	8.50	33,000	1,800	6546736
	CA*F4961*6D*+MBR2000**-1+TXV		56,500	40,000	14.00	12.00	52,500	41,500	57,000	8.50	33,000	1,800	6546739
	CA*F4961*6D*+MBVC2000**-1A*		56,500	40,000	15.00	12.50	52,500	41,500	57,000	9.00	33,000	1,800	6546741
	CA*F4961*6D*+MBVC2000**-1A*+TXV		56,500	40,000	15.00	12.50	52,500	41,500	57,000	9.00	33,000	1,800	6546743
	CA*F4961*6D*+TXV	G*VC950905CXB*	56,500	40,000	14.00	12.00	52,500	41,500	57,000	8.50	33,000	1,750	6546745
	CA*F4961*6D*+TXV	G*VC950905DXB*	56,500	40,000	14.00	12.00	52,500	41,500	57,000	8.50	33,000	1,750	6546746
	CA*F4961*6D*+TXV	G*VC950915DXB*	56,500	40,000	14.00	11.50	52,500	41,500	57,000	8.50	33,000	1,750	6546749
	CA*F4961*6D*+TXV	G*VC951155DXB*	56,500	40,000	14.00	12.00	52,500	41,500	57,000	8.50	33,000	1,800	6546750
	CA*F4961*6D*+TXV	G*VM960805CXB*	56,500	40,000	14.00	12.00	52,500	41,500	57,000	8.50	33,000	1,750	6546752
	CA*F4961*6D*+TXV	G*VM960805DXB*	56,500	40,000	14.00	12.00	52,500	41,500	57,000	8.50	33,000	1,750	6546755
	CA*F4961*6D*+TXV	G*VM961005DXB*	56,500	40,000	14.00	12.00	52,500	41,500	57,000	8.50	33,000	1,800	6546756
	CA*F4961*6D*+TXV	G*VM961155DXB*	56,500	40,000	14.00	12.00	52,500	41,500	57,000	8.50	33,000	1,800	6546758
	CA*F4961*6D*+TXV	D*96VC0905CXA*	56,500	40,000	14.00	12.00	52,500	41,500	57,000	8.50	33,000	1,750	6547603
	CA*F4961*6D*+TXV	D*96VC0905DXA*	56,500	40,000	14.00	12.00	52,500	41,500	57,000	8.50	33,000	1,750	6547604
	CA*F4961*6D*+TXV	D*96VC0915DXA*	56,500	40,000	14.00	11.50	52,500	41,500	57,000	8.50	33,000	1,750	6547605
	CA*F4961*6D*+TXV	D*96VC1155DXA*	56,500	40,000	14.00	12.00	52,500	41,500	57,000	8.50	33,000	1,800	6547606
	CA*F4961*6D*+TXV	D*96MC0805CXA*	56,500	40,000	14.00	12.00	52,500	41,500	57,000	8.50	33,000	1,750	6592179
	CA*F4961*6D*+TXV	D*96MC0805DXA*	56,500	40,000	14.00	12.00	52,500	41,500	57,000	8.50	33,000	1,750	6592180
	CA*F4961*6D*+TXV	D*96MC1005DXA*	56,500	40,000	14.00	12.00	52,500	41,500	57,000	8.50	33,000	1,800	6592181
CA*F4961*6D*+TXV	D*96MC1155DXA*	56,500	40,000	14.00	12.00	52,500	41,500	57,000	8.50	33,000	1,800	6592182	
CAPT4961*4A*	G*VC950905CXB*	56,500	40,000	14.00	11.50	52,500	41,500	57,000	8.50	33,000	1,785	6546760	
CAPT4961*4A*	G*VC950905DXB*	56,500	40,000	14.00	11.50	52,500	41,500	57,000	8.50	33,000	1,695	6546762	
CAPT4961*4A*	G*VC950915DXB*	56,500	40,000	14.00	11.50	52,500	41,500	57,000	8.50	33,000	1,680	6546764	
CAPT4961*4A*	G*VC951155DXB*	56,500	40,000	14.00	11.50	52,500	41,500	57,000	8.50	33,000	1,780	6546766	
CAPT4961*4A*	G*VM960805CXB*	56,500	40,000	14.00	11.50	52,500	41,500	57,000	8.50	33,000	1,800	6546767	
CAPT4961*4A*	G*VM960805DXB*	56,500	40,000	14.00	12.00	52,500	41,500	57,000	8.50	33,000	1,660	6546769	
CAPT4961*4A*	G*VM961005DXB*	56,500	40,000	13.50	11.50	52,500	41,500	57,000	8.50	33,000	1,780	6546772	
CAPT4961*4A*	G*VM961155DXB*	56,500	40,000	13.50	11.50	52,500	41,500	57,000	8.50	33,000	1,780	6546773	
CAPT4961*4A*	D*96VC0905CXA*	56,500	40,000	14.00	11.50	52,500	41,500	57,000	8.50	33,000	1,785	6547611	
CAPT4961*4A*	D*96VC0905DXA*	56,500	40,000	14.00	11.50	52,500	41,500	57,000	8.50	33,000	1,695	6547612	
CAPT4961*4A*	D*96VC0915DXA*	56,500	40,000	14.00	11.50	52,500	41,500	57,000	8.50	33,000	1,680	6547613	

See Notes on Page 34.

OUTDOOR UNIT	INDOOR UNITS		COOLING CAPACITY (BTU/H)				TVA RATINGS <sup>3</sup>		HEATING CAPACITY			CFM	AHRI #
	COILS/AIR HANDLERS	FURNACES	TOTAL	SENS.	SEER <sup>1</sup>	EER <sup>2</sup>	TOTAL	SENS.	HI	HSPF <sup>4</sup>	LOW		
DZ14SA 0601A* (cont.)	CAPT4961*4A*	D*96VC1155DXA*	56,500	40,000	14.00	11.50	52,500	41,500	57,000	8.50	33,000	1,780	6547614
	CAPT4961*4A*	D*96MC0805CXA*	56,500	40,000	14.00	11.50	52,500	41,500	57,000	8.50	33,000	1,800	6592183
	CAPT4961*4A*	D*96MC0805DXA*	56,500	40,000	14.00	12.00	52,500	41,500	57,000	8.50	33,000	1,660	6592184
	CAPT4961*4A*	D*96MC1005DXA*	56,500	40,000	13.50	11.50	52,500	41,500	57,000	8.50	33,000	1,780	6592185
	CAPT4961*4A*	D*96MC1155DXA*	56,500	40,000	13.50	11.50	52,500	41,500	57,000	8.50	33,000	1,780	6592186
	CAPT4961*4A*+EEP		57,000	40,500	14.00	12.00	53,000	41,500	58,000	8.50	39,000	1,700	6546775
	CAPT4961*4A*+MBR2000**-1		56,500	40,000	14.00	12.00	52,500	41,500	57,000	8.50	33,000	1,650	6546777
	CAPT4961*4A*+MBVC2000**-1A*		56,500	40,000	14.50	12.50	52,500	41,500	57,000	9.00	33,000	1,790	6546779
	CHPF4860D6D*	G*VC950905CXB*	56,500	40,000	14.00	11.50	52,500	41,500	57,000	8.50	33,000	1,750	6546781
	CHPF4860D6D*	G*VC950905DXB*	56,500	40,000	14.00	11.50	52,500	41,500	57,000	8.50	33,000	1,750	6546783
	CHPF4860D6D*	G*VC951155DXB*	56,500	40,000	14.00	11.50	52,500	41,500	57,000	8.50	33,000	1,750	6546785
	CHPF4860D6D*	G*VM960805CXB*	56,500	40,000	14.00	11.50	52,500	41,500	57,000	8.50	33,000	1,750	6546787
	CHPF4860D6D*	G*VM960805DXB*	56,500	40,000	14.00	11.50	52,500	41,500	57,000	8.50	33,000	1,750	6546789
	CHPF4860D6D*	G*VM961005DXB*	56,500	40,000	14.00	11.50	52,500	41,500	57,000	8.50	33,000	1,750	6546791
	CHPF4860D6D*	G*VM961155DXB*	56,500	40,000	14.00	11.50	52,500	41,500	57,000	8.50	33,000	1,750	6546793
	CHPF4860D6D*	D*96VC0905CXA*	56,500	40,000	14.00	11.50	52,500	41,500	57,000	8.50	33,000	1,750	6547619
	CHPF4860D6D*	D*96VC0905DXA*	56,500	40,000	14.00	11.50	52,500	41,500	57,000	8.50	33,000	1,750	6547620
	CHPF4860D6D*	D*96VC1155DXA*	56,500	40,000	14.00	11.50	52,500	41,500	57,000	8.50	33,000	1,750	6547621
	CHPF4860D6D*	D*96MC0805CXA*	56,500	40,000	14.00	11.50	52,500	41,500	57,000	8.50	33,000	1,750	6592187
	CHPF4860D6D*	D*96MC0805DXA*	56,500	40,000	14.00	11.50	52,500	41,500	57,000	8.50	33,000	1,750	6592188
	CHPF4860D6D*	D*96MC1005DXA*	56,500	40,000	14.00	11.50	52,500	41,500	57,000	8.50	33,000	1,750	6592189
	CHPF4860D6D*	D*96MC1155DXA*	56,500	40,000	14.00	11.50	52,500	41,500	57,000	8.50	33,000	1,750	6592190
	CHPF4860D6D*+EEP		57,000	40,500	14.00	12.00	53,000	41,500	58,000	8.75	39,500	1,800	6546794
	CHPF4860D6D*+EEP+TXV		57,000	40,500	14.00	12.00	53,000	41,500	58,000	8.75	39,500	1,800	6546796
	CHPF4860D6D*+MBR2000**-1		57,000	40,500	14.00	12.00	53,000	41,500	57,000	8.75	38,000	1,850	6546799
	CHPF4860D6D*+MBR2000**-1+TXV		57,000	40,500	14.00	12.00	53,000	41,500	57,000	8.75	38,000	1,850	6546801
	CHPF4860D6D*+MBR2000**-1A*		57,000	40,500	14.00	12.00	53,000	41,500	57,000	8.75	38,000	1,850	6546803
	CHPF4860D6D*+MBVC2000**-1A*		56,500	40,000	15.00	12.50	52,500	41,500	57,000	9.00	33,000	1,800	6546805
	CHPF4860D6D*+MBVC2000**-1A*+TXV		56,500	40,000	15.00	12.50	52,500	41,500	57,000	9.00	33,000	1,800	6546806
	CHPF4860D6D*+TXV	G*VC950905CXB*	56,500	40,000	14.00	11.50	52,500	41,500	57,000	8.50	33,000	1,750	6546809
	CHPF4860D6D*+TXV	G*VC950905DXB*	56,500	40,000	14.00	11.50	52,500	41,500	57,000	8.50	33,000	1,750	6546810
	CHPF4860D6D*+TXV	G*VC951155DXB*	56,500	40,000	14.00	11.50	52,500	41,500	57,000	8.50	33,000	1,750	6546813
	CHPF4860D6D*+TXV	G*VM960805CXB*	56,500	40,000	14.00	11.50	52,500	41,500	57,000	8.50	33,000	1,750	6546815
	CHPF4860D6D*+TXV	G*VM960805DXB*	56,500	40,000	14.00	11.50	52,500	41,500	57,000	8.50	33,000	1,750	6546816
	CHPF4860D6D*+TXV	G*VM961005DXB*	56,500	40,000	14.00	11.50	52,500	41,500	57,000	8.50	33,000	1,750	6546819
	CHPF4860D6D*+TXV	G*VM961155DXB*	56,500	40,000	14.00	11.50	52,500	41,500	57,000	8.50	33,000	1,750	6546821
	CHPF4860D6D*+TXV	D*96VC0905CXA*	56,500	40,000	14.00	11.50	52,500	41,500	57,000	8.50	33,000	1,750	6547626
	CHPF4860D6D*+TXV	D*96VC0905DXA*	56,500	40,000	14.00	11.50	52,500	41,500	57,000	8.50	33,000	1,750	6547627
	CHPF4860D6D*+TXV	D*96VC1155DXA*	56,500	40,000	14.00	11.50	52,500	41,500	57,000	8.50	33,000	1,750	6547628
	CHPF4860D6D*+TXV	D*96MC0805CXA*	56,500	40,000	14.00	11.50	52,500	41,500	57,000	8.50	33,000	1,750	6592191
CHPF4860D6D*+TXV	D*96MC0805DXA*	56,500	40,000	14.00	11.50	52,500	41,500	57,000	8.50	33,000	1,750	6592192	
CHPF4860D6D*+TXV	D*96MC1005DXA*	56,500	40,000	14.00	11.50	52,500	41,500	57,000	8.50	33,000	1,750	6592193	
CHPF4860D6D*+TXV	D*96MC1155DXA*	56,500	40,000	14.00	11.50	52,500	41,500	57,000	8.50	33,000	1,750	6592194	
CSCF4860N6D*+TXV	G*VC951155DXB*	56,500	40,000	13.50	11.50	52,500	41,500	57,000	8.50	33,000	1,850	6546823	
CSCF4860N6D*+TXV	D*96VC1155DXA*	56,500	40,000	13.50	11.50	52,500	41,500	57,000	8.50	33,000	1,850	6547633	
DV60PTCD14A*		57,000	40,500	14.00	12.00	53,000	41,500	57,000	8.20	34,800	1,630	6546715	

<sup>1</sup> Seasonal Energy Efficiency Ratio; Certified per RI 210/240 @ 80°F/ 67°F/ 95°F

<sup>2</sup> Energy Efficiency Ratio @ 80°F/ 67°F/ 95°F

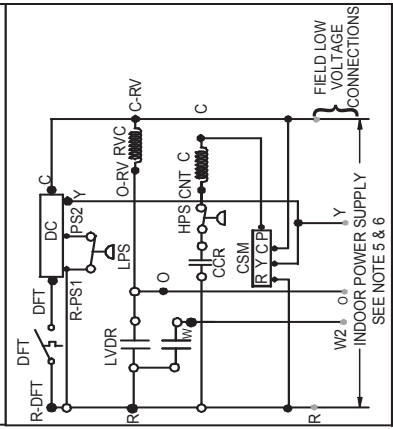
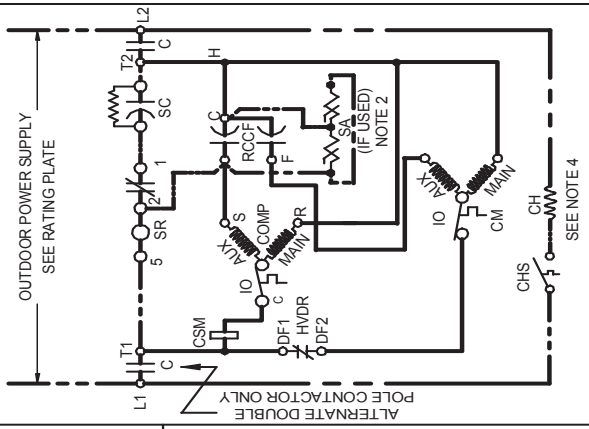
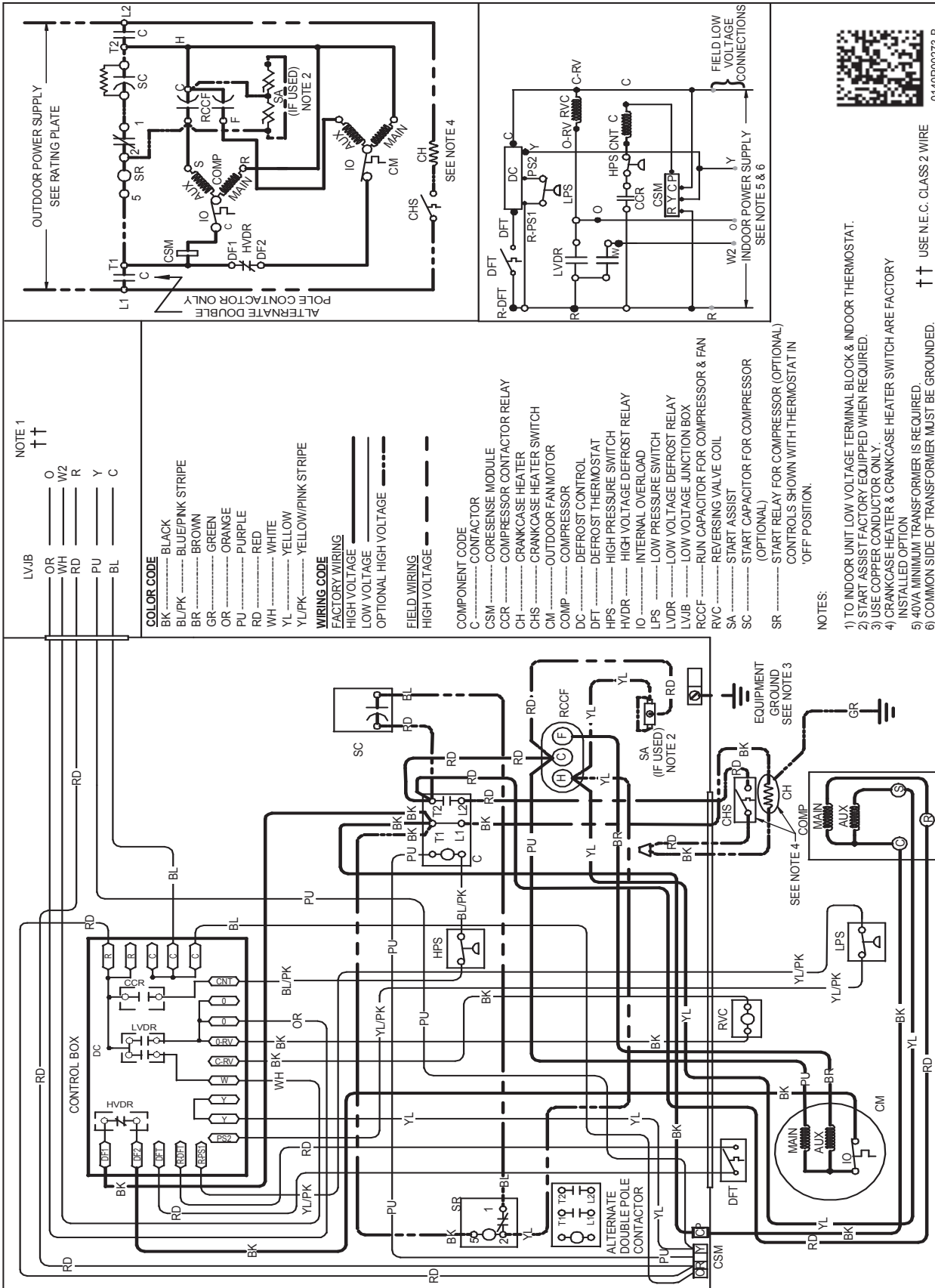
<sup>3</sup> TVA Rating: BTU/h @ 75°F/ 63°F - 95°F

<sup>4</sup> HSPF = Heating Seasonal Performance Factor

**NOTES**

- Always check the S&R plate for electrical data on the unit being installed.
- When matching outdoor unit to indoor unit, use the piston supplied with the outdoor unit or that specified on the piston kit chart supplied with the indoor unit.
- EEP - Order from Service Dept. Part No. B13707-38 or new Solid State Board B13707-35S. Part No. B13707-38 is not interchangeable with B13707-35S. The Goodman Gas Furnace contains the EEP cooling time delay

# WIRING DIAGRAM



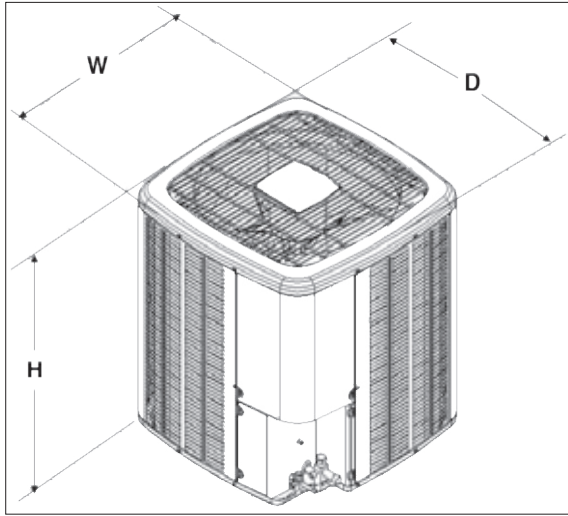
0140R00273-R

**WARNING**

**High Voltage:** Disconnect all power before servicing or installing this unit. Multiple power sources may be present. Failure to do so may cause property damage, personal injury, or death.

Wiring is subject to change. Always refer to the wiring diagram or the unit for the most up-to-date wiring.

## DIMENSIONS



MODEL	DIMENSIONS		
	W"	D"	H"
DZ14SA0181**	29	29	34¼
DZ14SA0241**	29	29	38¼
DZ14SA0301**	29	29	38¼
DZ14SA0361**	29	29	38¼
DZ14SA0381**	35½	35½	38¼
DZ14SA0421**	35½	35½	38¼
DZ14SA0481**	35½	35½	38¼
DZ14SA0601**	35½	35½	38¼

## ACCESSORIES

ITEM #	DESCRIPTION	DZ14SA 018**	DZ14SA 024**	DZ14SA 030**	DZ14SA 036**	DZ14SA 038**	DZ14SA 042**	DZ14SA 048**	DZ14SA 060**
ABK-20	Anchor Bracket Kit *	X	X	X	X	X	X	X	X
ASC01	Anti-Short Cycle Kit	X	X	X	X	X	X	X	X
CSR-U-1	Hard-start Kit	X	X	X	X	X			
CSR-U-2	Hard-start Kit				X	X	X	X	X
CSR-U-3	Hard-start Kit							X	X
FSK01A1	Freeze Protection Kit	X	X	X	X	X	X	X	X
LAKT01A	Low-Ambient Kit	X	X	X	X	X	X	X	X
OT18-60A2	Outdoor Thermostat	X	X	X	X	X	X	X	X
OT/EHR18-60	Emergency Heat Relay Kit	X	X	X	X	X	X	X	X
TX2N4 <sup>3</sup>	TXV Kit	X							
TX2N4A <sup>3</sup>	TXV Kit	X	X						
TX3N4 <sup>3</sup>	TXV Kit			X	X	X			
TX5N4 <sup>3</sup>	TXV Kit						X	X	X

\* Contains 20 brackets; four brackets needed to anchor unit to pad

<sup>1</sup> Installed on indoor coil

<sup>2</sup> Required for heat pump applications where ambient temperatures fall below 0 °F with 50% or higher relative humidity.

<sup>3</sup> Condensing units and heat pumps with reciprocating compressors require the use of start-assist components when used in conjunction with an indoor coil using a non-bleed thermal expansion valve refrigerant metering device. The TXV should always be sized based on the tonnage of the outdoor unit.