

ingredients

TOOLS YOU'LL NEED

cover weight paper
scissors—*or*—xacto knife, straight edge & cutting mat
1/8" hole punch
twine

GET CREATIVE WITH

making a pattern with different color papers
more intricate sewing pattern with the twine

NOTE: LETTERS ARE PRINTED IN REVERSE SO AS TO KEEP THE FRONT OF THE BUNTING FREE OF ANY DASHED LINES THAT AREN'T CUT OFF.

step-by-step

STEP #1

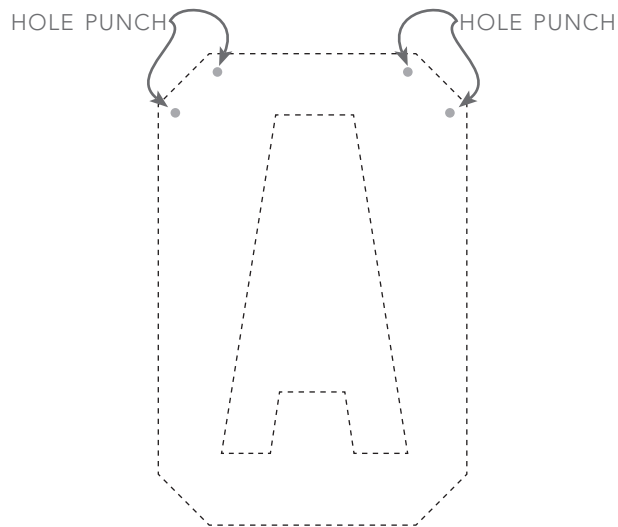
Print letters that compose your desired message on cover weight paper.

STEP #2

Using a scissors or xacto, straight edge & cutting mat, trim out the bunting and letters.

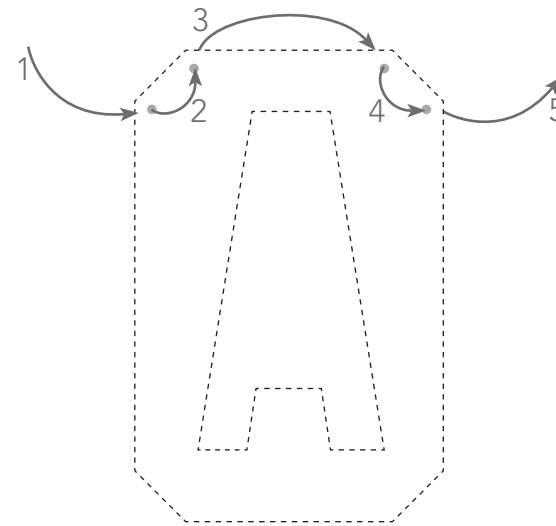
STEP #3

Hole punch each letter 4 times.



STEP #4

Tread the twine through each letter.



STEP #5

Hang, pour a glass of wine & admire your new bunting!

