



PERGOLA

MULTI-SEASON LIVING SPACE



ORDER NOW AT WWW.FURNITURESTORENI.CO.UK



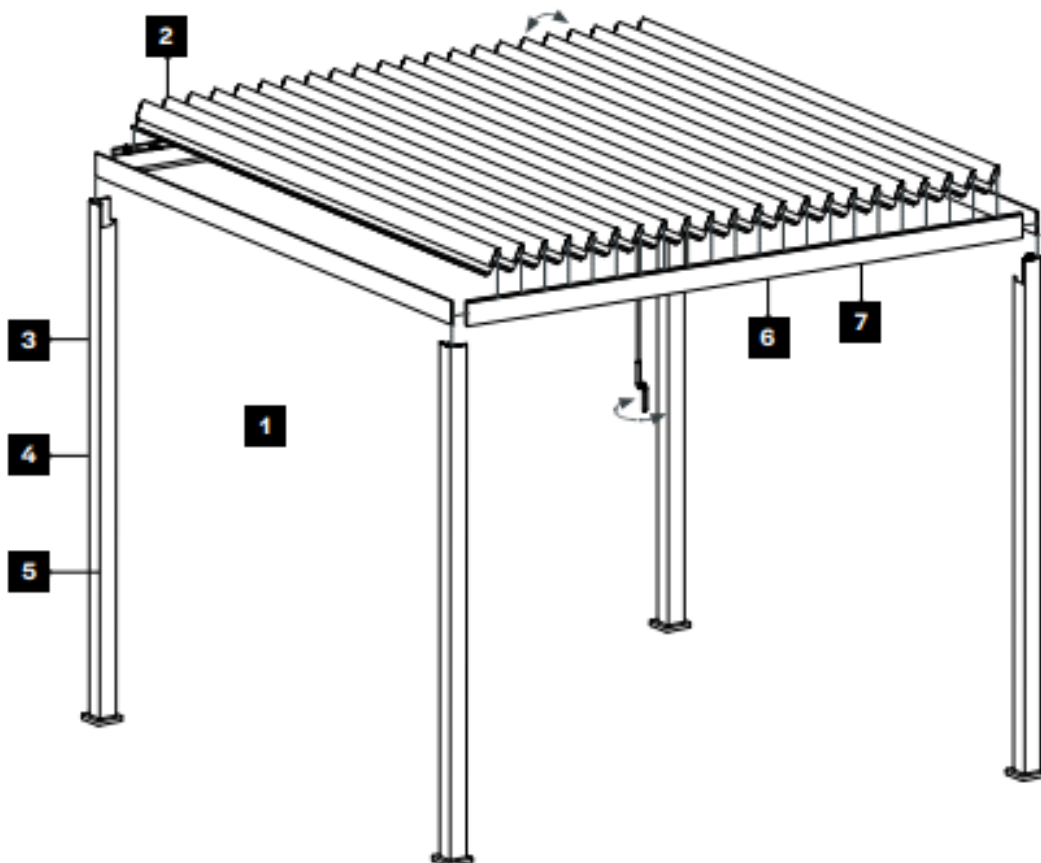
reddot winner 2020



HILTON VS IBIS

PERGOLA DIFFERENCES EXPLAINED

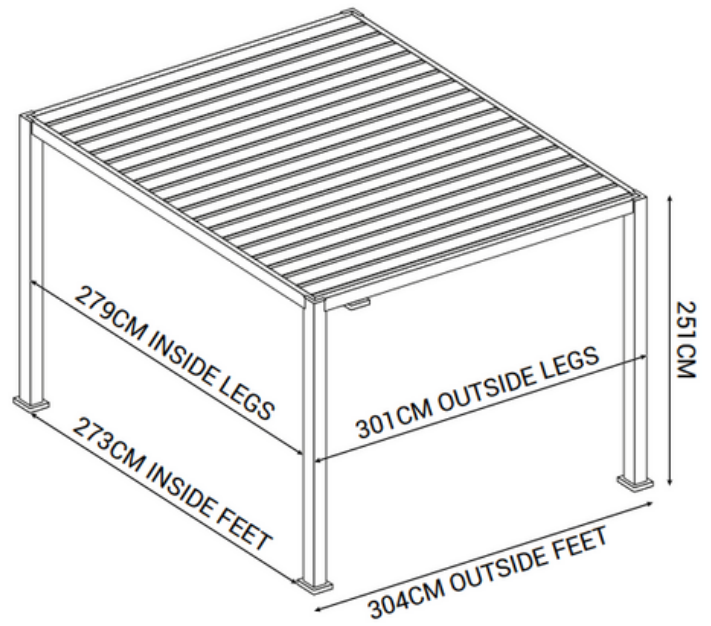
		HILTON	IBIS
1	Privacy Screens Available	Yes*	No
2	Roof Louvre Material	Double skinned Aluminium	Galvanised Steel
3	Frame Material	Aluminium	Aluminium
4	Frame Overall Height	251cm	251cm (4mx3m) / 241cm (3mx3m)
5	Frame Leg Thickness	111 x 111mm	111 x 111mm (4mx3m) / 88 x 88mm (3mx3m)
6	Powder Coated	Tiger DRYLAC®	Non branded
7	Guarantee	5 Years	2 Years



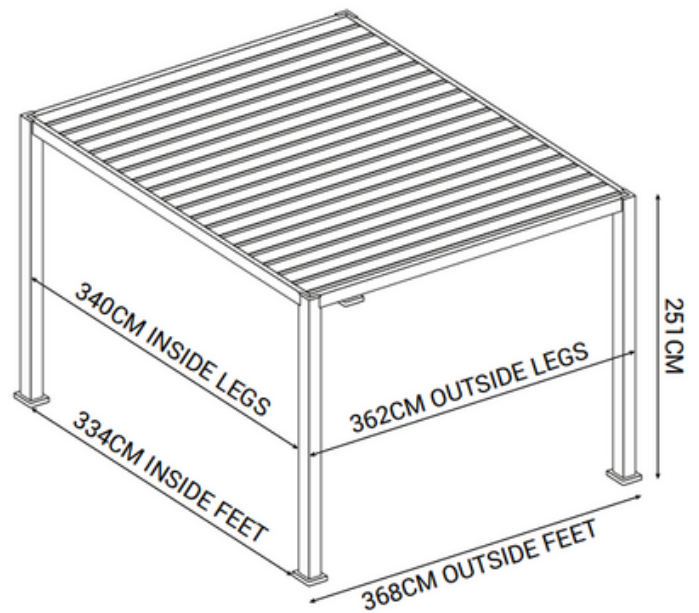
**Not suitable for the Titan wall mounted collection*

HILTON RANGE

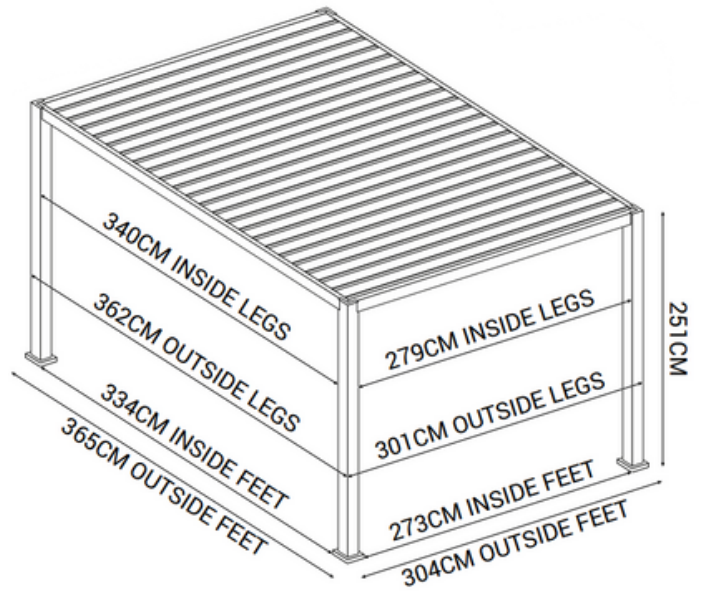
Hilton 3m x 3m Square Pergola



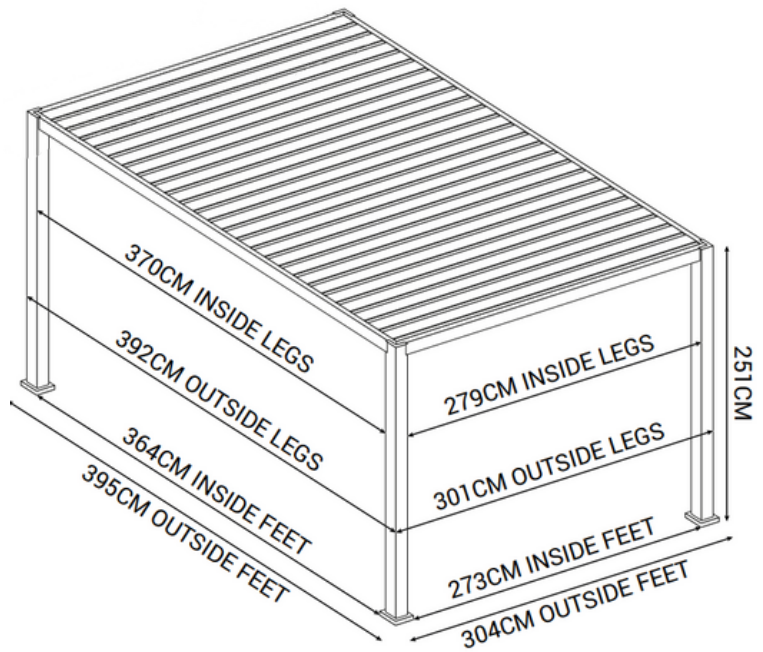
Hilton 3.6m x 3.6m Square Pergola



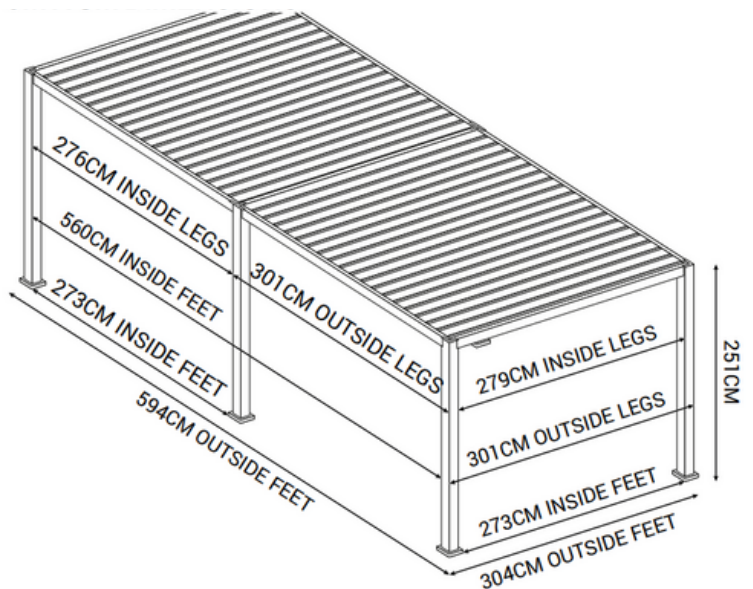
Hilton 3.6m x 3m Rectangular Pergola



Hilton 4m x 3m Rectangular Pergola



Hilton 6m x 3m Rectangular Pergola



HILTON PRIVACY SCREEN

The Privacy Screen for Hilton Pergola would make the perfect addition to our pergola range in order to make your garden area more private and to add more protection against the elements.

This screen can be attached to your Hilton pergola and pulled down in order to create a more private area, offer shade, or offer protection from wind by creating a more sheltered space.

To offer an even more private space we would recommend purchasing multiple screens to close off the pergola entirely - ideal for using over hot tubs if you have neighbours that overlook your garden.

This screen is an exclusive design for our Hilton pergola range and will not fit any other pergola collections.

This textilene material is fully weather-resistant and can be left outdoors all year round with little maintenance.

The screen is attached to your pergola via aluminium framework and an aluminium roller which need to be drilled into the underside of the pergola as well as the pergola legs and then clipped in to those carefully aligned attachments.

3M SCREEN

3.6M SCREEN

4M SCREEN



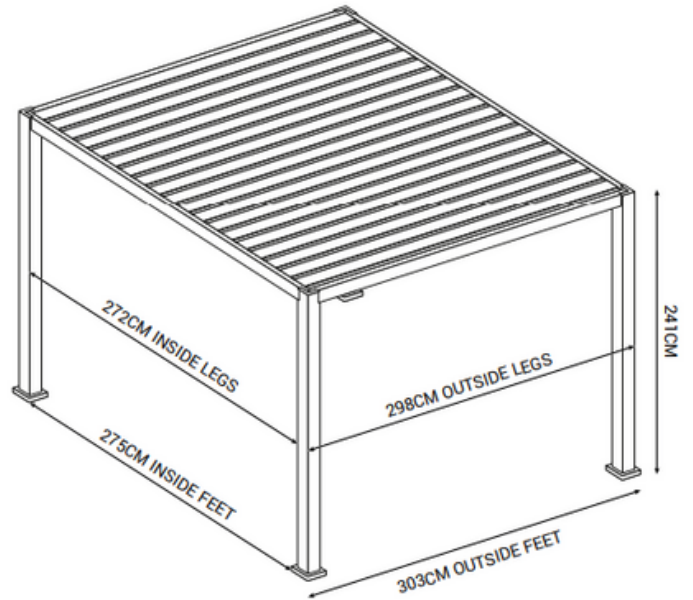
PRIVACY SCREENS

Complete the Pergola with our selection of privacy screens.

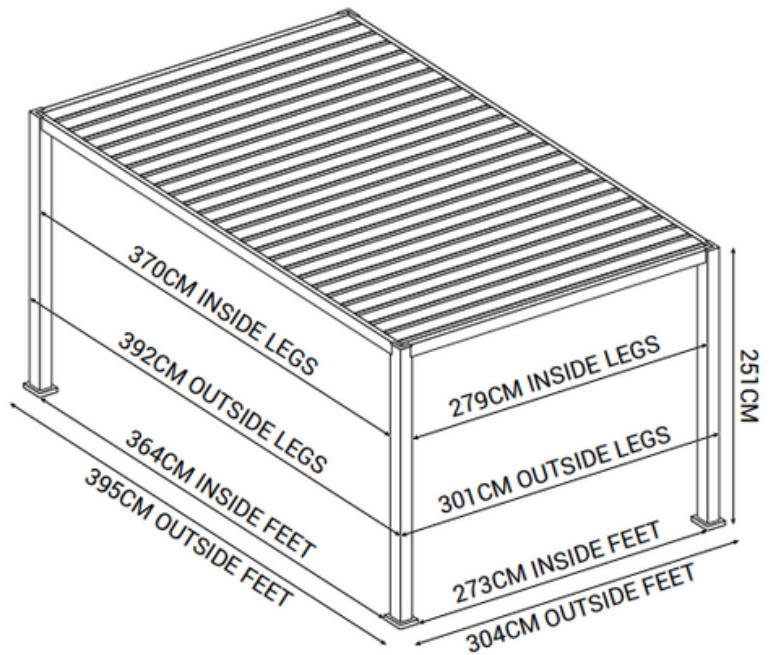
IBIS

RANGE

Ibis 3m x 3m Square Pergola



Ibis 4m x 3m Rectangular Pergola



TIGER have specialised in the manufacture of powder coatings since the early 1970's. TIGER Coatings are now one of the most respected and recognised powder manufacturers. Their solvent-free 3-step process enamels our metal pergola framework providing **years of protection**.

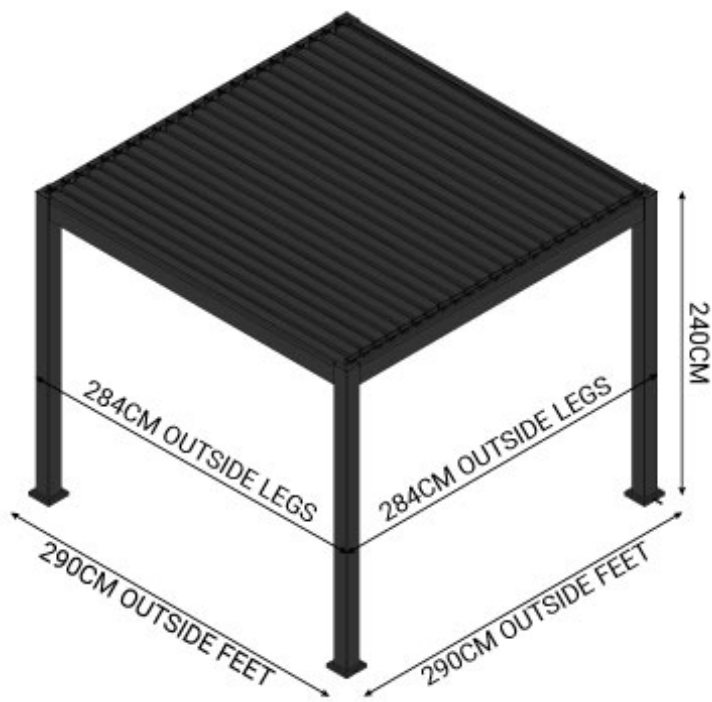
We trust in the quality of TIGER's Drylac powder coating to protect our metal Pergola structures in all weathers. The high quality coating simplifies **corrosion protection** on our premium collection of Aluminium Pergolas.



MANHATTAN

RANGE

Manhattan 3m x 3m Square Pergola



Manhattan 4m x 3m Rectangular Pergola

