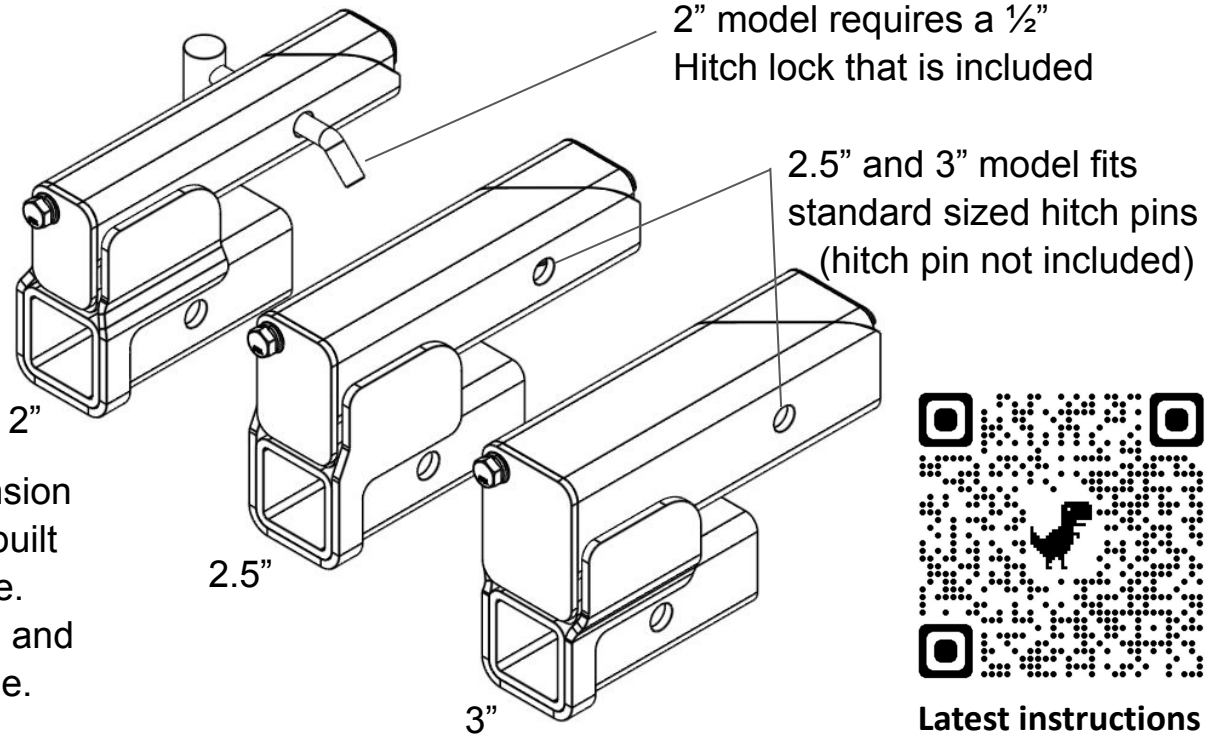


# VelociRAX

## Rack'em Fast



Drop Extension Hitch with built in Anti-rattle. Assembled and ready to use.

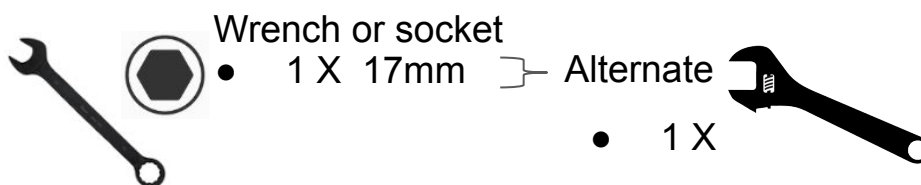


Latest instructions and videos:

[www.velocirax.com/pages/assembly](http://www.velocirax.com/pages/assembly)

## VelociRAX DROP HITCH Instruction Manual

### TOOLS NEEDED FOR USE



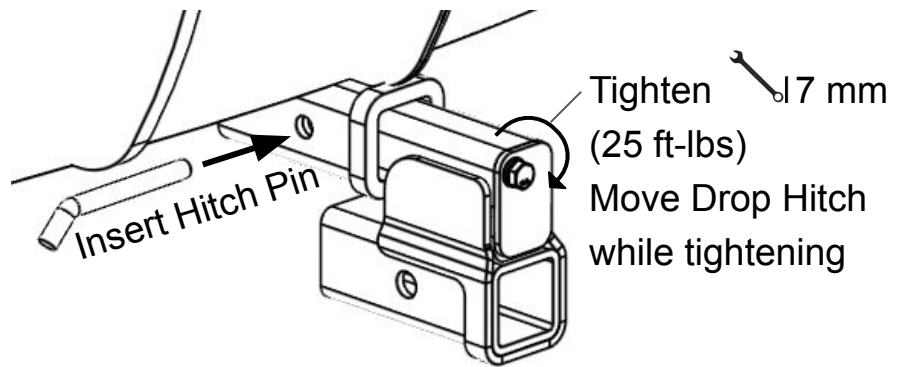
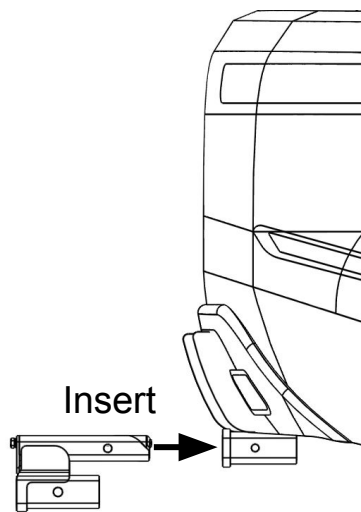
### TIPS

#### Anti-seize

Add anti-seize to the anti-rattle bolt once a year to ensure the best long term operation of the anti-rattle mechanism.

## USE

### 1. Insert Drop Hitch Assembly into hitch and lock in place



Bolt eliminates motion between receiver and adaptor



## WARNINGS AND PRECAUTIONS



- **USE ONLY WITH CLASS III RATED HITCHES**
- **DO NOT USE WITHOUT A PROPERLY INSTALLED HITCH PIN AND SECURED ANTI-RATTLE WEDGE.**
- **USE AS A DROP HITCH ONLY**
- **NOT FOR TOWING**

## WARRANTY INFORMATION

2 Year Limited Warranty for defects in materials and/or workmanship for the original retail purchaser. This warranty does not cover normal wear and tear, scratches, accidents, misuse, or overloading.

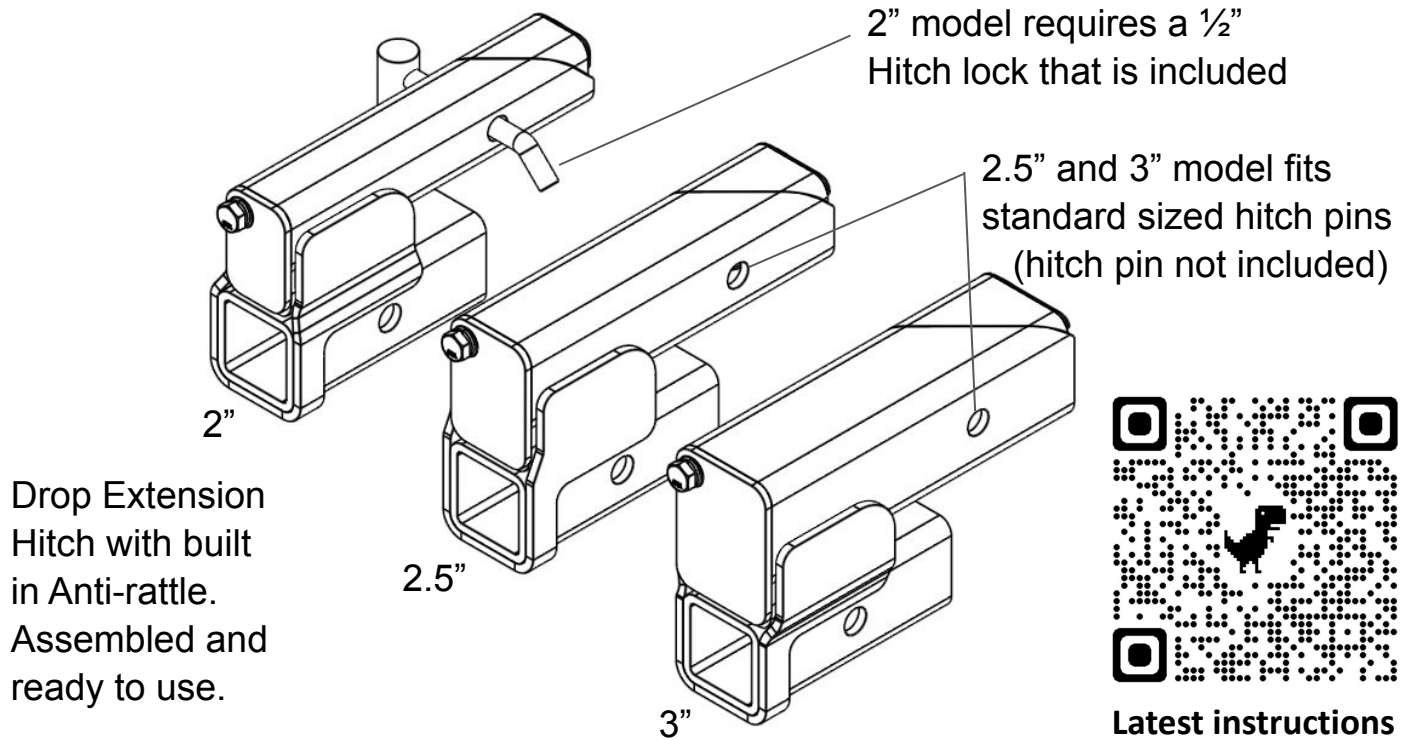
## CONTACT INFORMATION

### VELOCIRAX

Email: [support@velocirax.com](mailto:support@velocirax.com)  
Web address: [www.VelociRAX.com](http://www.VelociRAX.com)  
Phone: 435.344.4446

# VelociRAX

## Rack'em Fast

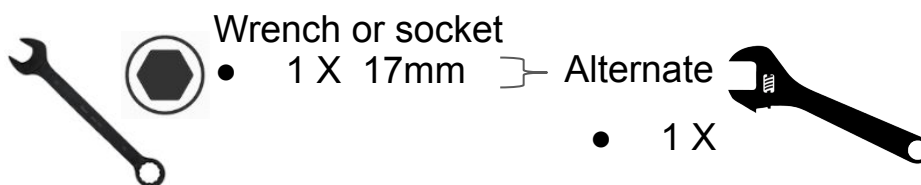


Latest instructions and videos:

[www.velocirax.com/pages/assembly](http://www.velocirax.com/pages/assembly)

## VelociRAX DROP HITCH Instruction Manual

### TOOLS NEEDED FOR USE



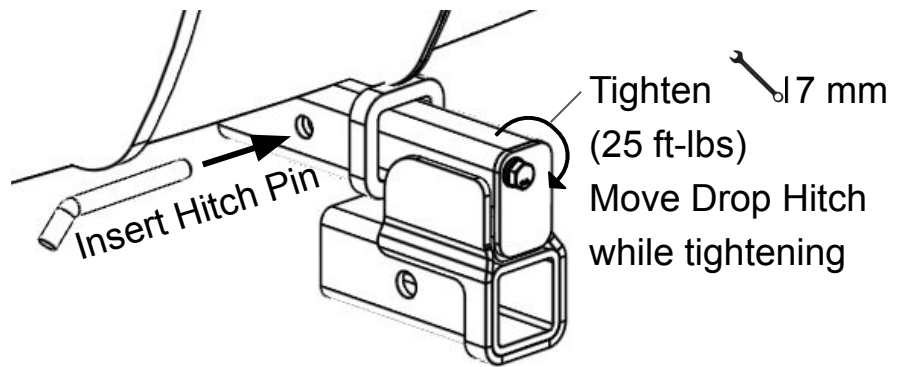
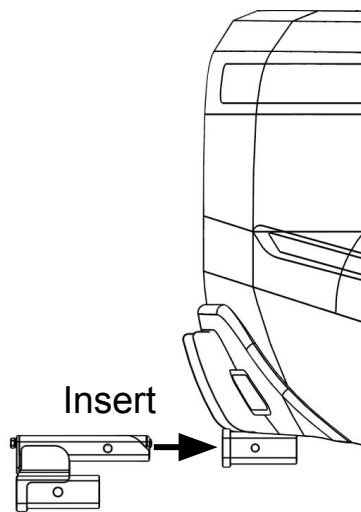
### TIPS

#### Anti-seize

Add anti-seize to the anti-rattle bolt once a year to ensure the best long term operation of the anti-rattle mechanism.

## USE

### 1. Insert Drop Hitch Assembly into hitch and lock in place



## WARNINGS AND PRECAUTIONS



- **USE ONLY WITH CLASS III RATED HITCHES**
- **DO NOT USE WITHOUT A PROPERLY INSTALLED HITCH PIN AND SECURED ANTI-RATTLE WEDGE.**
- **USE AS A DROP HITCH ONLY**
- **NOT FOR TOWING**

## WARRANTY INFORMATION

2 Year Limited Warranty for defects in materials and/or workmanship for the original retail purchaser. This warranty does not cover normal wear and tear, scratches, accidents, misuse, or overloading.

## CONTACT INFORMATION

### VELOCIRAX

Email: [support@velocirax.com](mailto:support@velocirax.com)  
Web address: [www.VelociRAX.com](http://www.VelociRAX.com)  
Phone: 435.344.4446