

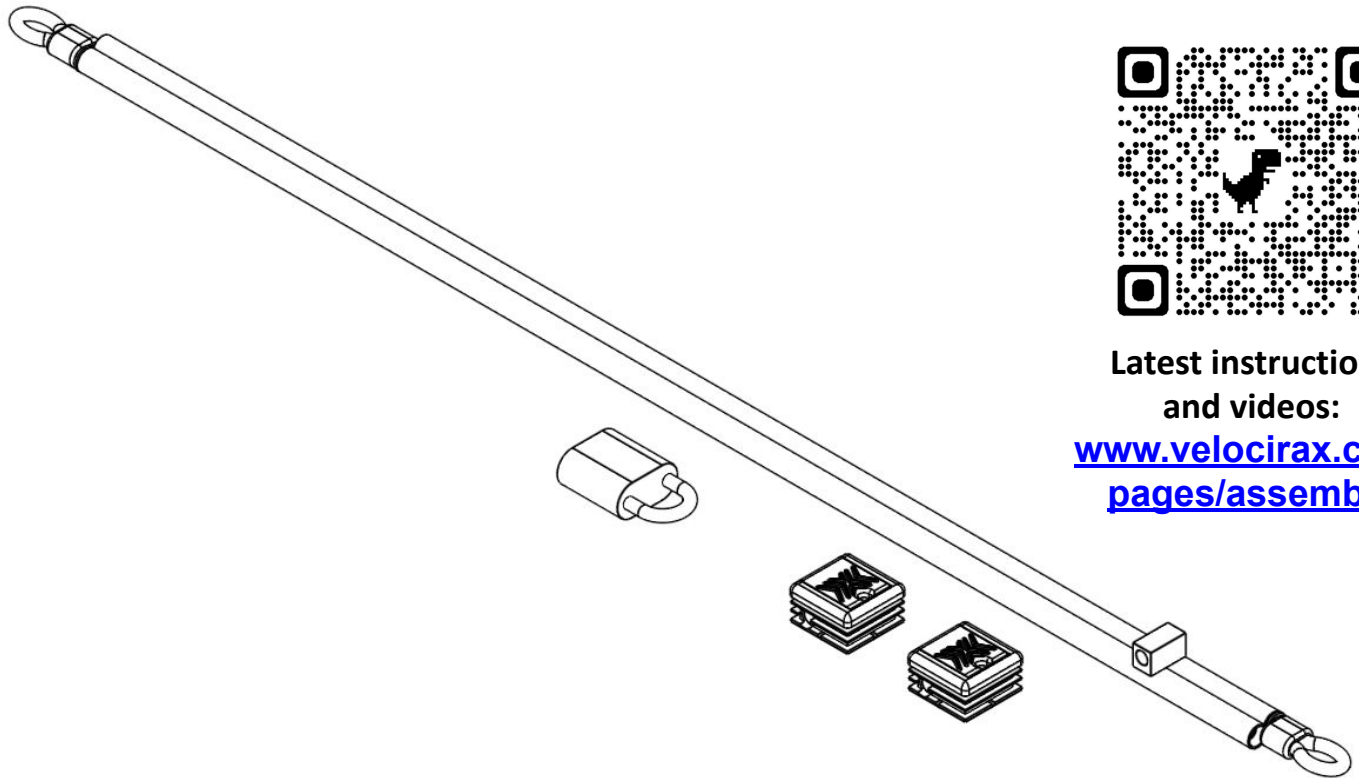
# VelociRAX

## Rack'em Fast



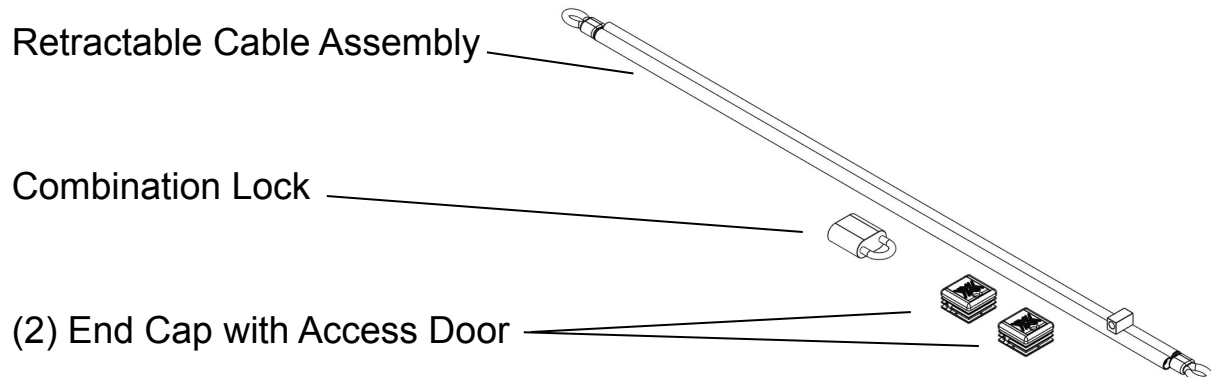
Latest instructions  
and videos:

[www.velocirax.com/  
pages/assembly](http://www.velocirax.com/pages/assembly)

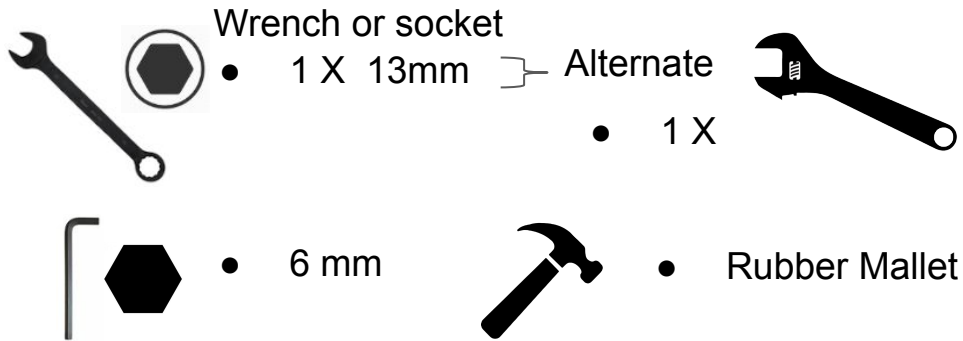


## VelociRAX Internal Lock Instruction Manual

### PACKAGE CONTENTS



## TOOLS REQUIRED FOR ASSEMBLY

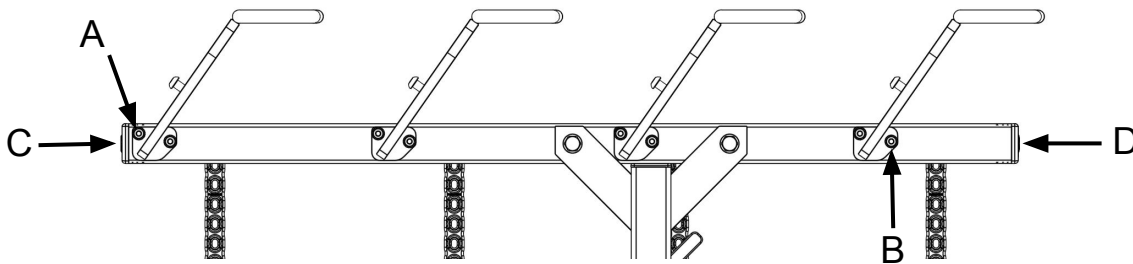


## ASSEMBLY INSTRUCTIONS

Latest instructions and videos: [www.velocirax.com/pages/assembly](http://www.velocirax.com/pages/assembly)



1. Remove bolts from location A and B,  13 mm  6 mm

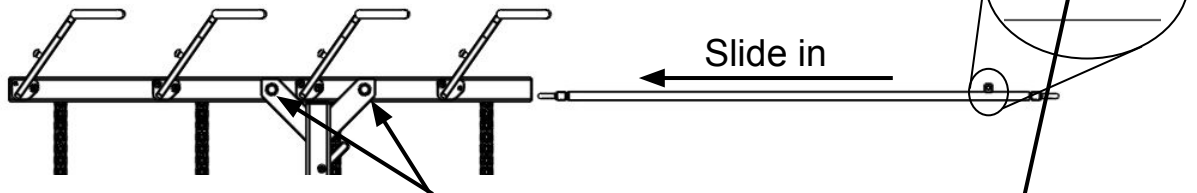


### Remove End Caps from location C and D

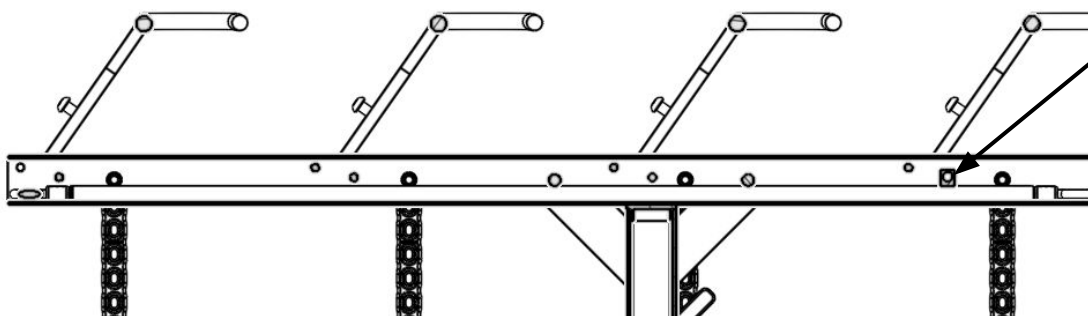
Be careful to not damage the powder coating

2. Slide the Retractable Cable Assembly in as depicted below

Make sure to align the bolt location as shown

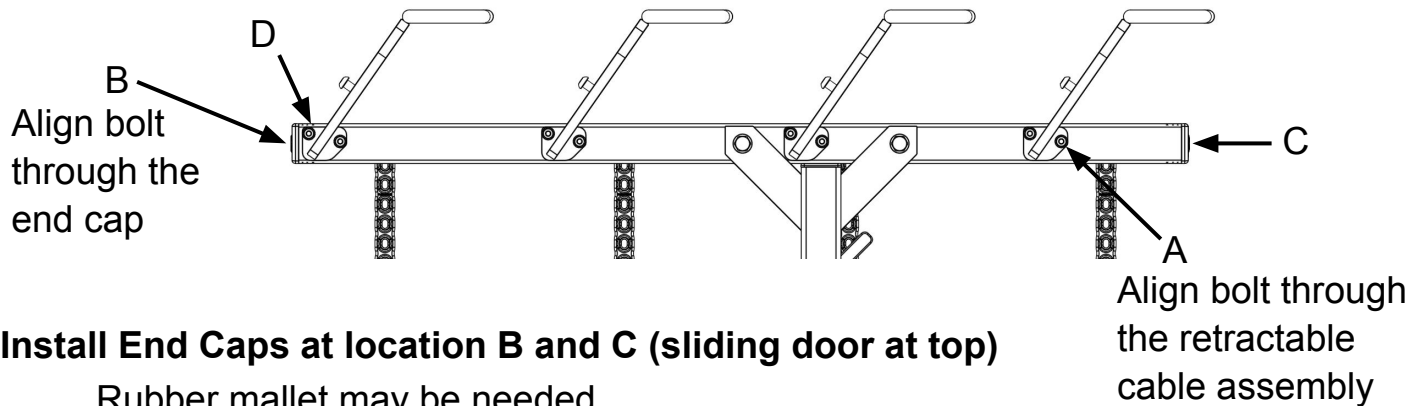


If it doesn't slide in freely you may need to loosen and remove the center bolts



## ASSEMBLY INSTRUCTIONS - CONTINUED

3. Install, 1 bolt at location A,  13 mm  6 mm



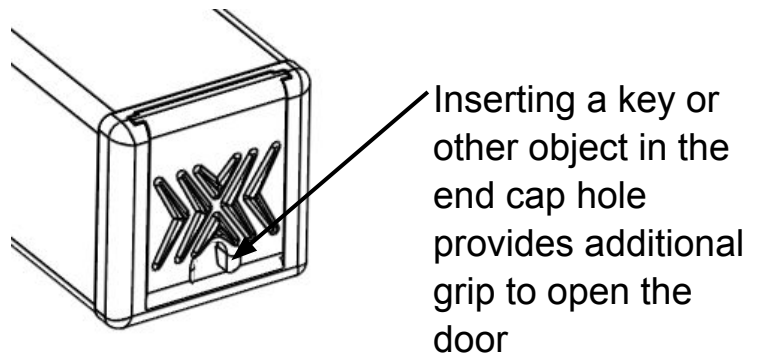
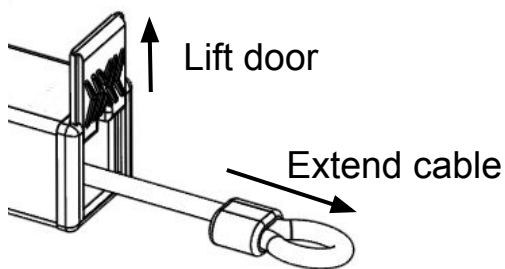
Install End Caps at location B and C (sliding door at top)

Rubber mallet may be needed

Install, 1 bolt at location D,  13 mm  6 mm

### 4. Lock bikes as needed

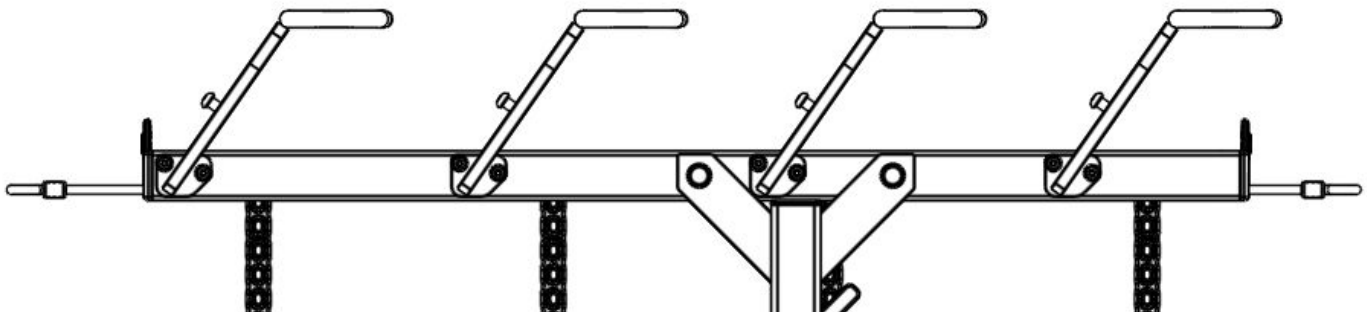
Lift endcap door and pull out the cable from each side.



Insert each cable through bikes (or front tires) and lock the cables together or to the rack. Cable doors can be closed with cable extended.



**Ensure the cable is routed so a large loop does not extend beyond the bikes on either side.**

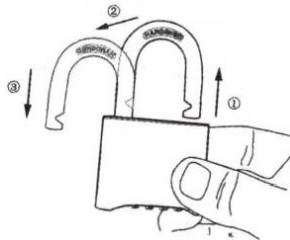
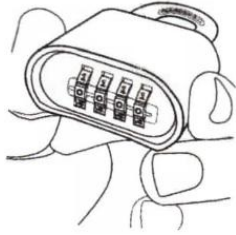


A thin brown dust on the cable may be present this is normal

## COMBO LOCK

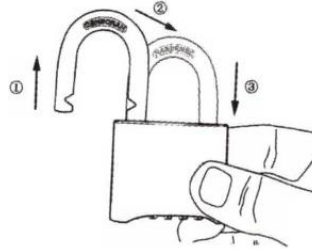
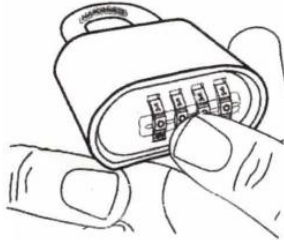
To change the lock combination:

1. Open lock  
(default code  
0-0-0-0)



2. Pull the shackle out and rotate it 180 degrees and push it in toward the lock and hold it in.

3. Set the  
desired  
code



4. Rotate back. Always leave it locked so the combination can't be changed.

Maintenance: Add graphite to the moving parts in the lock at least every 6 month for best long term operation.

## TIPS

If the lock ends up too close to bikes try changing the cable path to ensure the lock ends up at a safe distance from bikes.



**NO LOCK AND/OR CABLE WILL PREVENT THEFT IN ALL SITUATIONS. USE AT YOUR OWN RISK. VELOCIRAX IS NOT RESPONSIBLE FOR LOST OR STOLEN ITEMS OR BICYCLES**  
**DO NOT DRIVE WITH CABLES OUTSIDE SLIDING ENCAPS UNLESS THEY ARE LOCKING BIKES**

## WARRANTY INFORMATION

2 Year Limited Warranty for defects in materials and/or workmanship for the original retail purchaser. This warranty does not cover normal wear and tear, scratches, accidents, misuse, or overloading.

## CONTACT INFORMATION

### VELOCIRAX

Email: [support@velocirax.com](mailto:support@velocirax.com)  
Web address: [www.VelociRAX.com](http://www.VelociRAX.com)  
Phone: 435.344.4446