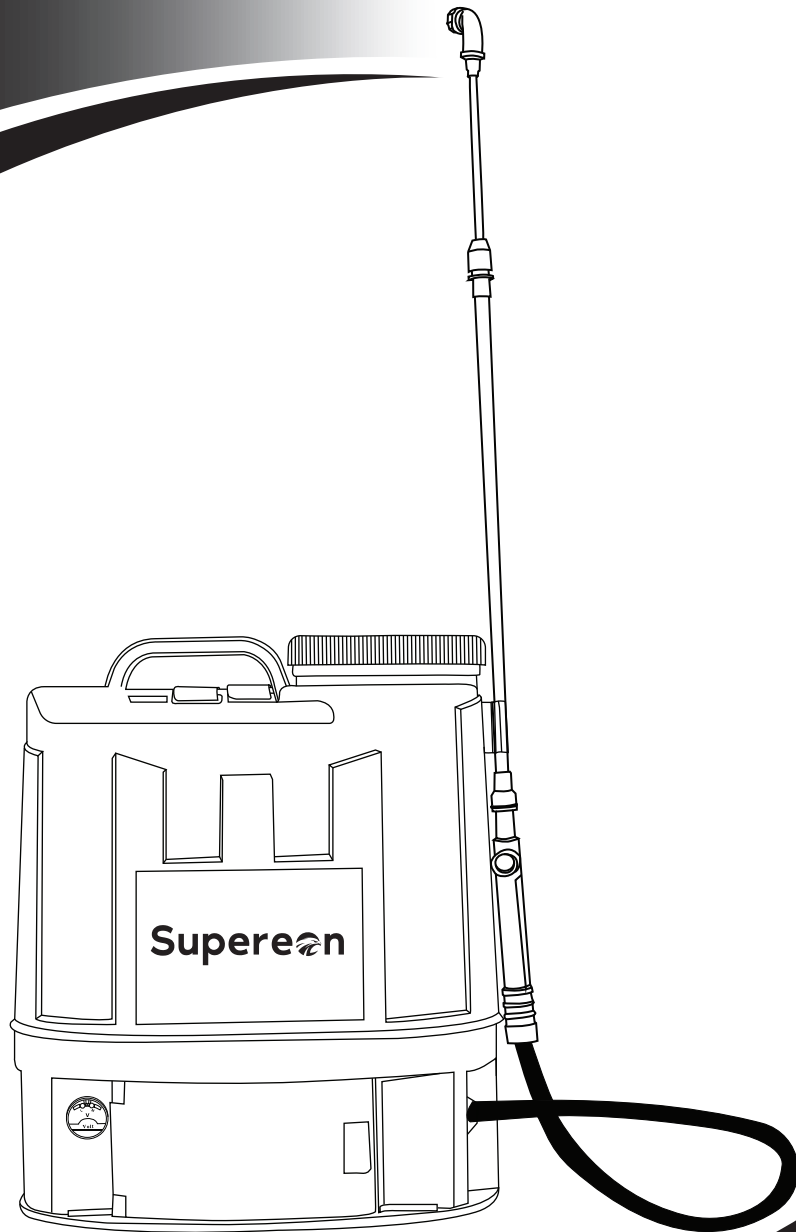


# Supereon

Electrostatic Sprayer



**Instruction Manual**

**CONGRATULATIONS** on the purchase of the Supereon Electrostatic Backpack Sprayer. Supereon is an integrated facility solutions company with experience providing secure emergency bio disinfection, decontamination and environmental solutions and products. The Supereon Electrostatic sprayer combines technology, functionality and price. This cordless unit was specially designed with the user in mind to provide high level of effectiveness and efficiency.

## Table of Contents

<b>1.</b>	<b>SAFETY NOTICES</b>	<b>2</b>
<b>2.</b>	<b>ELECTRICAL SAFETY INFORMATION</b>	<b>2</b>
<b>3.</b>	<b>MINOR SHOCK HAZARD</b>	<b>3</b>
<b>4.</b>	<b>CHEMICAL SAFETY</b>	<b>3</b>
<b>5.</b>	<b>GENERAL SAFETY INFORMATION</b>	<b>3</b>
<b>7.</b>	<b>INCLUDED IN THE PACK</b>	<b>4</b>
<b>8.</b>	<b>OPERATING INSTRUCTIONS</b>	<b>6 - 8</b>
	<b>I. ASSEMBLING INSTRUCTIONS</b>	<b>6</b>
	<b>II. FILLING THE RESERVOIR</b>	<b>8</b>
	<b>III. Sprayer Operation</b>	<b>8</b>
<b>9.</b>	<b>MAINTENANCE INSTRUCTION</b>	<b>8 - 9</b>
	<b>I. INSTALLING/REPLACING BATTERY</b>	<b>9</b>
<b>10.</b>	<b>TROUBLESHOOTING</b>	<b>11</b>

## 1 SAFETY NOTICES

This instruction manual contains information that is important for you to know and understand before operating the Supereon Electrostatic Backpack Sprayer. This information relates to protecting your safety and ensures product reliability and performance thus please take the time to read this manual before operating your new electrostatic sprayer and save this manual for future reference.

**WARNING:** This product contains an electrostatic device that may interfere with sensitive medical devices such as pacemakers, defibrillators, and similar devices. Do not operate this machine or operate within 10 feet if you use such medical devices. Contact your doctor prior to operation if you are unsure if this machine will interfere with your device.

## 2 ELECTRICAL SAFETY INFORMATION

1. Use this unit only for its intended use, as described in this manual.
2. Do not place or store unit where it can fall or be pulled into water or other liquid.
3. Never insert foreign objects into orifices.
4. Never operate this unit if it is, damaged or is working improperly.
5. Keep the charging cord away from heated surfaces.
6. Never store at a temperature above 140°F.
7. Do not let the nozzle directly touch surfaces when spraying.

## 3 MINOR SHOCK HAZARD

1. The electrostatic sprayer is safe to use. In a situation wherein the extension wand is accidentally touched and the individual feels a minor sock there is no cause for alarm because it is not harmful.
2. DO NOT touch the nozzle when the electrostatic switch is on and the unit is spraying as touching the wand while the electrostatic switch is powered in the on position could result in minor shock.

## **4** CHEMICAL SAFETY

Read and follow all instructions on the chemical manufacturer's label. Make note of the following requirements for:

- Personal Protective Equipment (PPE) when handling, mixing, and applying chemicals, including: protective clothing such as boots, gloves, apron, or hat; eye protection such as safety glasses, goggles, or a face shield; and respiratory protection such as a mask, cartridge, or respirator.
- Directions for use. This includes handling, mixing, and applying as well as storage and disposal of the chemical.
- Environmental, physical, and/or chemical hazards.
- First aid in case of chemical exposure.
- Mandatory waiting periods between application time and reentry
- Ensure the area being sprayed has proper ventilation.
- Store all chemicals in original containers in a cool, dry place, away from heat and open flames.

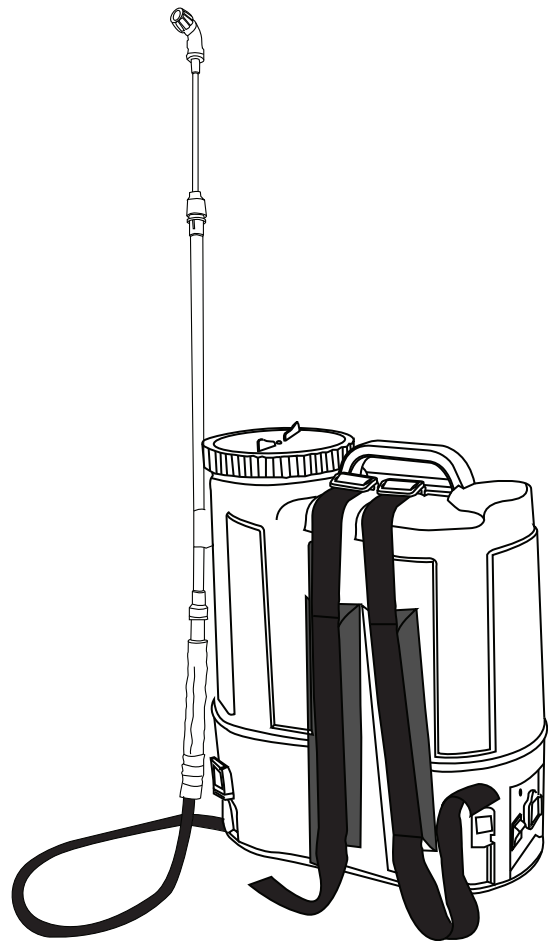
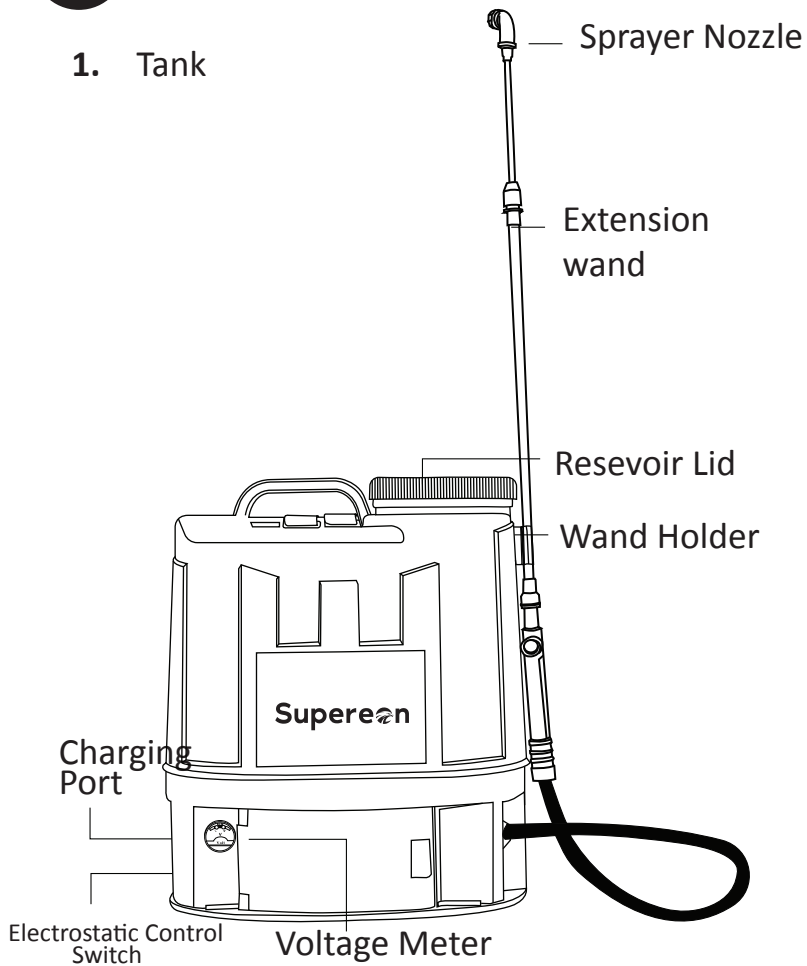
**NOTE:** Strictly adhere to the chemical manufacturer's application instructions on using chlorinated chemicals on porous surfaces such as drywall, carpeting, wallpaper, etc. to prevent irreparable damage or bleaching the surface.

## **5** GENERAL SAFETY INFORMATION

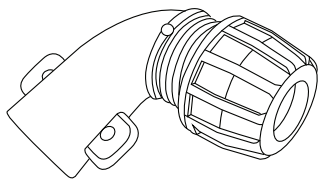
- Before operating the electrostatic sprayer, become familiar with all safety guidelines, cautions, and warnings.
- DO NOT operate the unit when fatigued or under the influence of drugs or alcohol.
- DO NOT allow children to operate the electrostatic sprayer. Do not allow adults to operate the sprayer without providing them with proper usage instructions.
- DO NOT use the unit to pump or spray flammable or explosive liquids such as gasoline, fuel, kerosene, etc.
- DO NOT leave the unit unattended when it is operational or while charging.

## 7 INCLUDED IN THE PACK

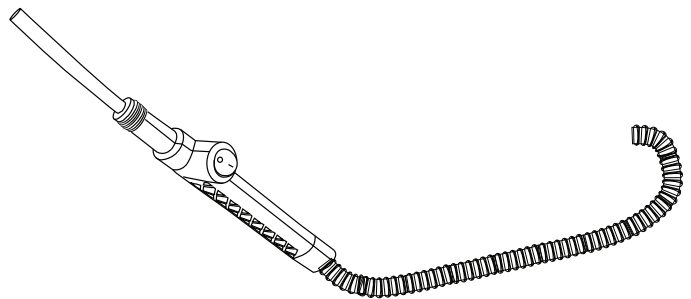
### 1. Tank



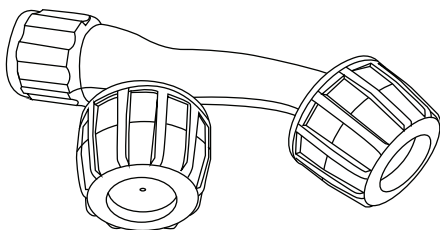
### 3. Single spraying nozzle



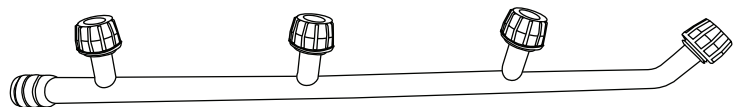
### 2. Spray handle



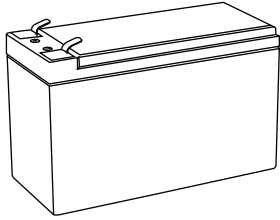
### 4. Double spraying nozzle



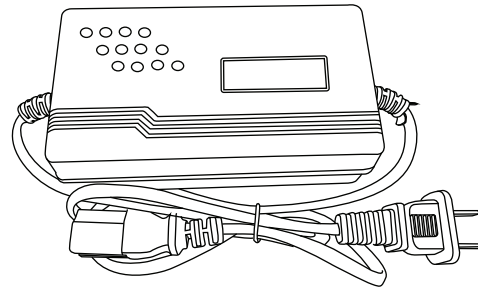
### 5. Quad spraying nozzle



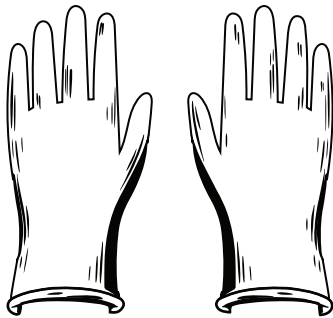
6. 12 volts 9A lead battery



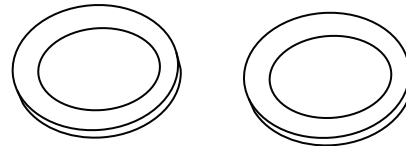
7. Battery charger



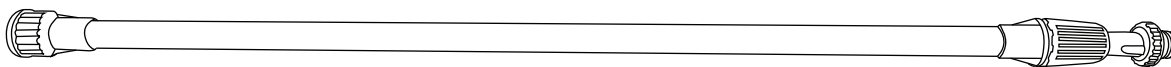
8. Rubber gloves



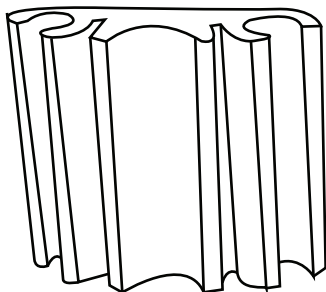
9. O-rings



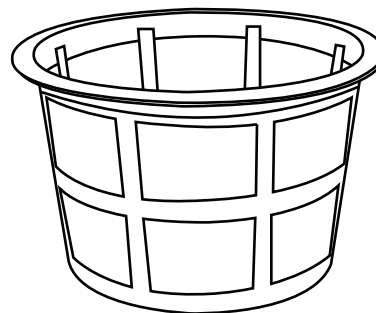
10. Wand Extension



11. Wand Holder



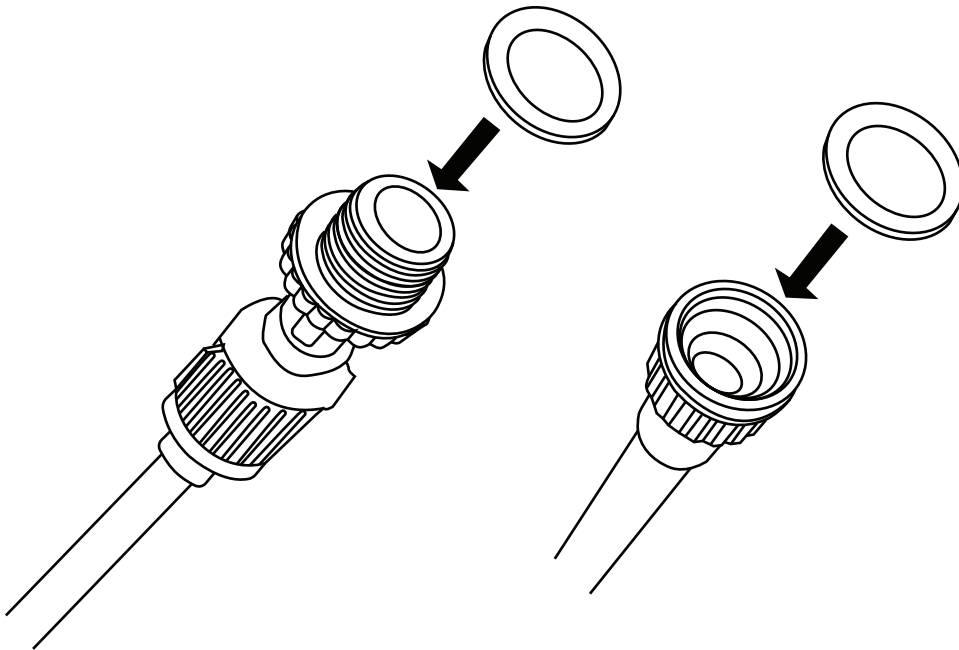
12. Liquid Strainer



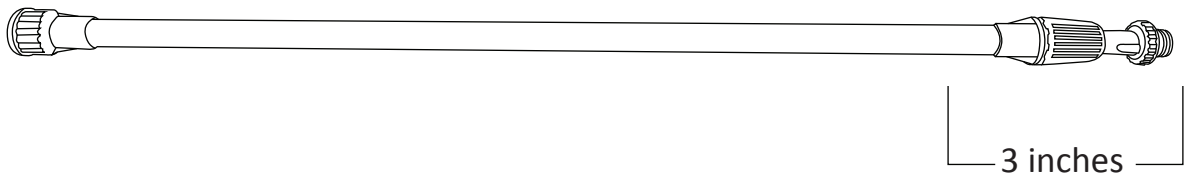
## 8 OPERATING INSTRUCTIONS

### I. Assembling instructions

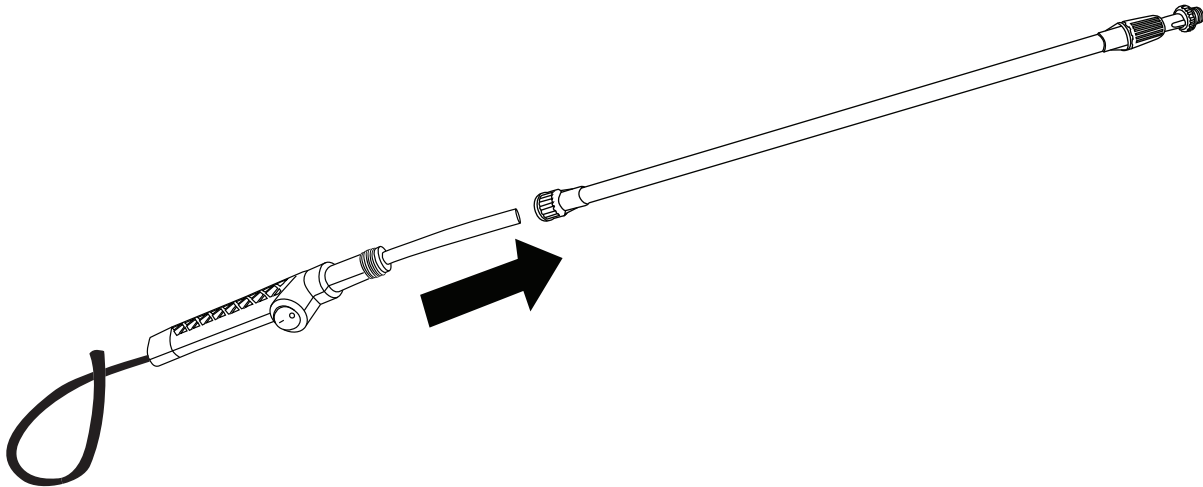
1. Ensure there is a green washer (O-ring) on both ends of the extension and insert the extension over the rubber tube, then tighten the white washer.



2. Untighten the white washer and pull out the extension, our recommendation is 3 inches.



3. Attach the extension wand to the Spray handle



4. Select the nozzle you would like to use (Single, Double or Quad) and tighten it on the opposite end of the extension wand.

**NOTE:** When not holding the wand fully, you may feel a small charge from the grounding plate. This is normal and will not harm you. Once you firmly grip the handle, you should not feel the charge.

5. Make sure all of the tips and joints have washers and are finger tight to avoid leakage.

## II. Filling the Reservoir

1. Pre-mix disinfectant per the manufacturer's instructions
2. Pour your desired water-based solution through the strainer and into the reservoir of the unit. Check back straps for tight connections and wear it as you would a normal backpack.



## III. Sprayer Operation

1. Turn on the electrostatic generator switch located at the left side of the tank, beside the charging port and direct the nozzle at the desired surface. The electrostatic switch must be activated into the (I) position. The electrostatic switch does not illuminate when powered on.
2. Place your fingers over the metal strip at the handle and grip the wand (this is the grounding point, this model uses the body as a natural ground).
3. Press the sprayer button into the (I) position on the spray handle to initiate spraying. Press the sprayer button into the (O) position to stop the discharge of liquid from the unit.

**NOTE:** If the extension wand needs to be interchanged between the two hands during operation, the hand should not completely leave the copper strip at the handle otherwise electric shock may occur.

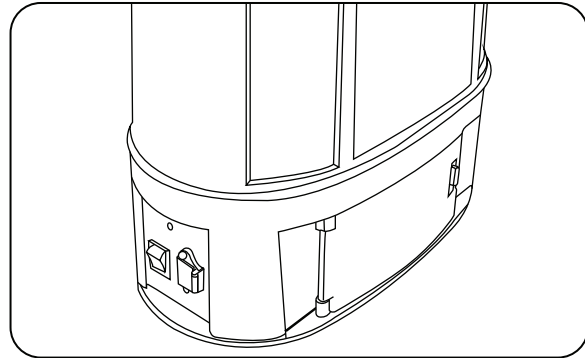
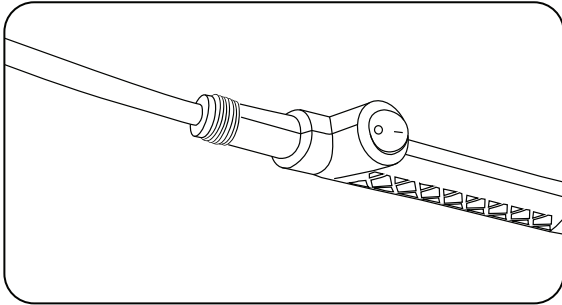
4. Follow a continuous path around the area working from high to low areas moving the sprayer in a sweeping motion until surfaces are thoroughly coated.
5. After spraying, keep the area closed to the public based on product manufacturer's requirement.
6. Affix wand to the wand holder in upright position between spraying and when not in use.

## **8** MAINTENANCE INSTRUCTION

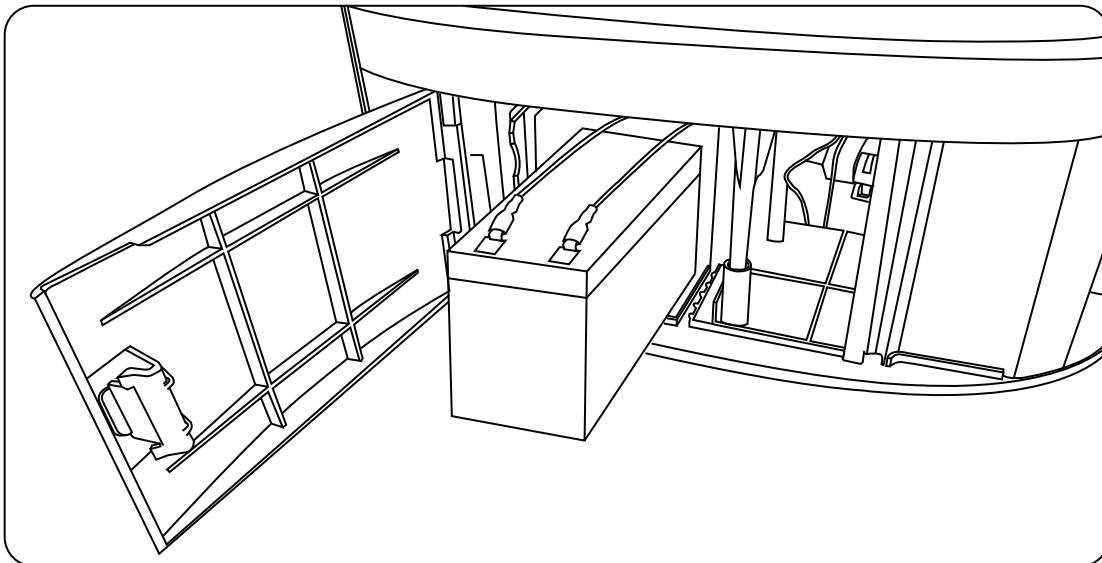
- Immediately after completion of disinfection, relocate unit away from porous surfaces, unscrew nozzle and drain excess disinfectants from nozzle and hose.
- After each use rinse the residual chemical/disinfectants out of the unit by circulating water through the spray nozzle, then dry and store in a cool, dry place.
- If the unit will not be used for an extended period of time, the battery must be recharged every two months to extend the battery life.

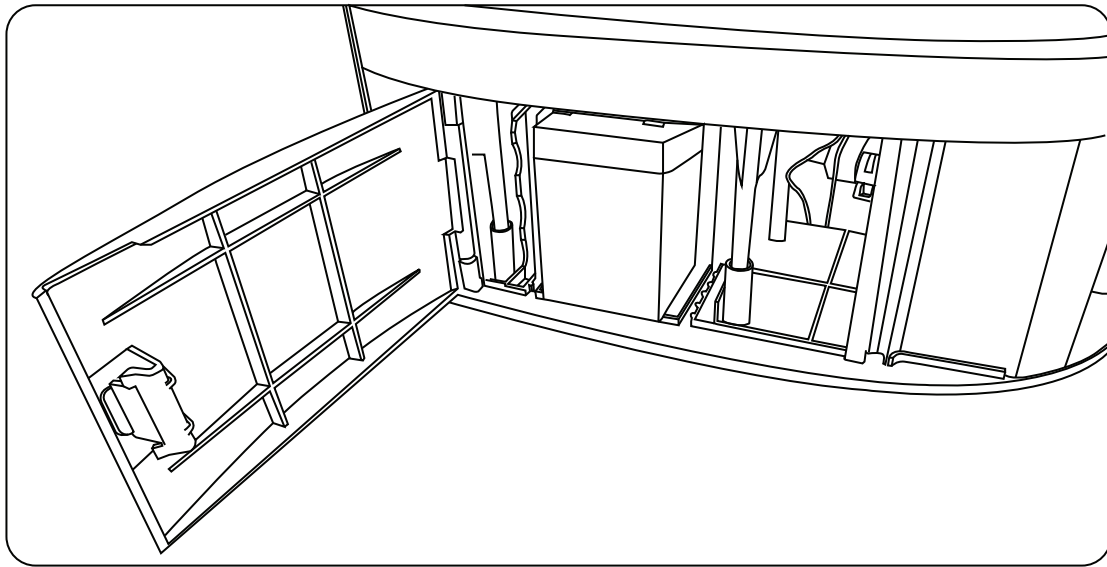
## I. Installing/Replacing Battery

1. Place the tank in an upright position and open the door of the battery compartment by pulling the release clip. Confirm that the switch on the spraying wand is turned off before inserting the battery.



2. Pull out the positive and negative battery cables, so they can be easily accessed.
3. Insert the battery halfway into the battery compartment, with the battery terminals facing outside.
4. Connect the positive battery cable (red) to the positive terminal (marked red) and the negative battery cable (black) to the negative terminal (marked black).





5. Slide the battery all the way into the compartment and close the door securely.
6. To remove the battery, open the battery door by pulling the release clip. Pull out the battery halfway and detach the battery cables from the battery terminals, then remove the battery from the compartment and close the door.

## 9 TROUBLESHOOTING

PROBLEM	POSSIBLE CAUSE	SOLUTION
Won't turn on or suddenly stopped working	<ol style="list-style-type: none"> <li>1. The battery is out of power or poor connection.</li> <li>2. Surge protector breaks contact as the machine is overheating.</li> </ol>	<ol style="list-style-type: none"> <li>1. Charge the battery or check the charging cord and plug it correctly.</li> <li>2. Wait for the machine to cool down before continuing usage.</li> </ol>
The liquid is not spraying out of the nozzle or the pressure is unstable.	<ol style="list-style-type: none"> <li>1. The nozzle hole is blocked with dirt or debris.</li> <li>2. Air in tube.</li> <li>3. Water pump is clogged.</li> <li>4. Water suction tube is broken.</li> </ol>	<ol style="list-style-type: none"> <li>1. Remove the nozzle and wash according to instructions.</li> <li>2. Inspect the tube to find the loose part or spray fittings with soapy water, then screw tightly the ones that bubble to expel the air or replace if necessary.</li> <li>3. Dismantle the water pump's cover and clean it.</li> <li>4. Replace the tube.</li> </ol>
Low pressure	<ol style="list-style-type: none"> <li>1. Water filter is clogged.</li> <li>2. Battery is out of power.</li> </ol>	<ol style="list-style-type: none"> <li>1. Wash the water filter.</li> <li>2. Charge the battery</li> </ol>
Joint is leaking	<ol style="list-style-type: none"> <li>1. The joint wasn't screwed tightly.</li> <li>2. Rubber seal is broken.</li> </ol>	<ol style="list-style-type: none"> <li>1. Tighten the screw.</li> <li>2. Replace the rubber seal.</li> </ol>
Spray from nozzle is erratic or spits	<ol style="list-style-type: none"> <li>1. Nozzle is blocked.</li> <li>2. The core of the nozzle is broken.</li> </ol>	<ol style="list-style-type: none"> <li>1. Clean the nozzle to remove the dirt.</li> <li>2. Replace the core.</li> </ol>