



280-WATT ULTRA WIDE FLOOD HIGH BAY

DESCRIPTION

Designed to outshine and outlast the competition, the AC Spreader Lighting fixture features advanced electronic technology like Pulse Width Modulation, Electronic Thermal Management, and a Redundant Circuit Design.

- 1000 Watt Metal Halide Replacement

SPECIFICATIONS

MECHANICAL:

Fixture Weight:	37.05 lbs (16.81kg)
Shipping Weight:	40.05 lbs (18.17kg)
Mounting/ Entries: (See Accessories)	(1) 3/4" NPT - TOP (2) 3/4" NPT 90° - SIDES (2) 3/4" NPT 45°- SIDES

TECHNICAL:

Operating Voltage:	90 - 305VAC 127 - 431VDC 180-528VAC <i>High Voltage</i>
Lumens:	42000 lm
Wattage:	280W
Operating Temp:	-40°C ~ 60°C
THD:	<20% (@load≥50% / 115VAC,230VAC) (@load≥75% / 277VAC)
Power Factor:	≥ 0.98/115VAC ≥ 0.95/230VAC ≥ 0.92/277VAC
Short Circuit:	Constant Current Limiting, Recovers Automatically After Fault Condition is Removed
Frequency:	47-63Hz

CONSTRUCTION:

Housing:	Die-Cast 6061 Aluminum
Finish:	Gloss Grey
Lens:	Polycarbonate Lens

LED Light Engine / Driver

LED:	XP-LHD(CREE)
Amp Draw:	2.43A @ 115VAC 1.22A @ 230VAC 1.01A @ 277VAC
Lifespan:	50,000 hr

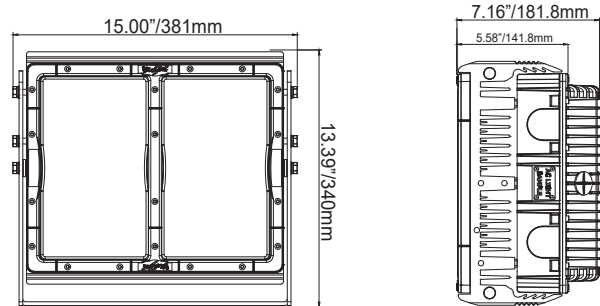


PART #:

LSG02140180	180° Ultra Wide Flood
LSG02140180HV (High Voltage)	180° Ultra Wide Flood
LSG02140180STRHDQC (Stainless Steel Bracket)	180° Ultra Wide Flood

BEAM PATTERN

2D DRAWING:



RATINGS:

EMC Emission:	Compliance to EN55015, EN55022 (CISPR22) Class B, EN61000-3-2 Class C (@Load ≥ 50%); EN61000-3-3
EMC Immunity:	Compliance to EN61000-4-2,3,4,5,6,8,11, EN61547, EN55024, Light Industry Level (surge immunity Line-Earth 4KV, Line-Line 2KV)
UL 1598A Marine:	✓
Ingress Protection:	IP-68, IP69k
Vibration Rating:	15.6 Grms
Warranty:	5 Years



280-WATT LED FIXTURE HIGH BAY

DESCRIPTION

Designed to outshine and outlast the competition, the AC Spreader Lighting fixture features advanced electronic technology like Pulse Width Modulation, Electronic Thermal Management, and a Redundant Circuit Design.

- 1000 Watt Metal Halide Replacement

SPECIFICATIONS

MECHANICAL:

Fixture Weight:	37.05 lbs (16.81kg)
Shipping Weight:	40.05 lbs (18.17kg)
Mounting/ Entries: (See Accessories)	(1) 3/4" NPT - TOP (2) 3/4" NPT 90° - SIDES (2) 3/4" NPT 45° - SIDES

TECHNICAL:

Operating Voltage:	90 - 305VAC 127 - 431VDC 180 - 528VAC High Voltage
Lumens:	42000 lm
Wattage:	280W
Operating Temp:	-40°C ~ 60°C
THD:	<20% (@load≥50% / 115VAC,230VAC) (@load≥75% / 277VAC)
Power Factor:	≥ 0.98/115VAC ≥ 0.95/230VAC ≥ 0.92/277VAC
Short Circuit:	Constant Current Limiting, Recovers Automatically After Fault Condition is Removed
Frequency:	47-63Hz

CONSTRUCTION:

Housing:	Die-Cast 6061 Aluminum
Finish:	Gloss Grey
Lens:	Polycarbonate Lens

LED Light Engine / Driver

LED:	XP-LHD(CREE)
Amp Draw:	2.43A @ 115VAC 1.22A @ 230VAC 1.01A @ 277VAC
Lifespan:	50,000 hr

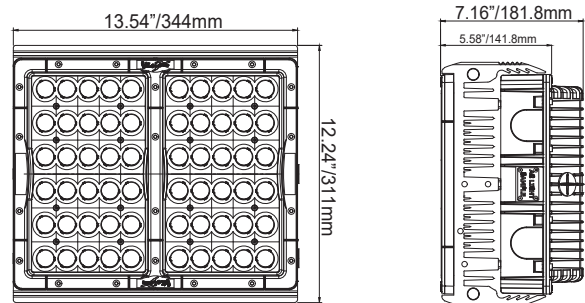


PART #:

BEAM PATTERN

LSG066010HV (High Voltage)	10°
LSG066025HV (High Voltage)	25°
LSG066040HV (High Voltage)	40°
LSG066060HV (High Voltage)	60°
LSG066090HV (High Voltage)	90°

2D DRAWING:



RATINGS:

EMC Emission:	Compliance to EN55015, EN55022 (CISPR22) Class B, EN61000-3-2 Class C (@Load ≥ 50%); EN61000-3-3
EMC Immunity:	Compliance to EN61000-4-2,3,4,5,6,8,11, EN61547, EN55024, Light Industry Level (surge immunity Line-Earth 4KV, Line-Line 2KV)
UL 1598A Marine:	✓
Ingress Protection:	IP-68, IP69k
Vibration Rating:	15.6 Grms
Warranty:	5 Years



280-WATT LED FIXTURE BRACKETS | ACCESSORIES

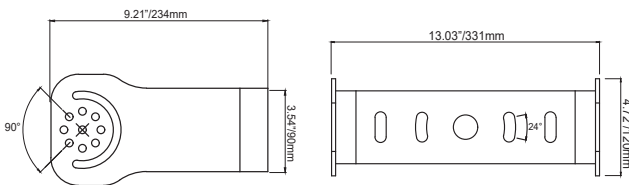


PART #:	TRUNNION
LAG60TR	Standard Powder Coated
LAS60TR	Stainless Steel

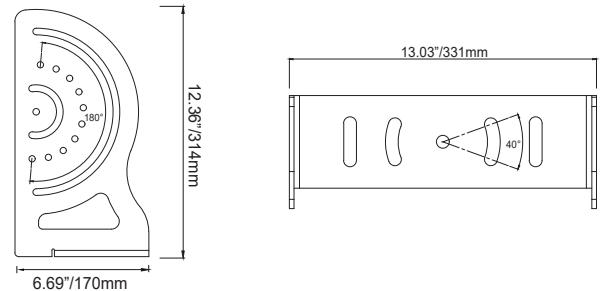


PART #:	TRUNNION
LAG60TRHD	Standard Powder Coated
LAS60TRHD	Stainless Steel

2D DRAWING:



2D DRAWING:



HARDWARE:



10' QUICK CONNECT WIRE
Part# : ****



110V AC PLUG
Part# : ****



240-277V AC TWIST LOCK PLUG
Part# : ****



COBRA HEAD MOUNT
Part# : 2" Diameter LAGCHM2
2.5" Diameter LAGCHM25
3" Diameter LAGCHM3



PENDANT MOUNT HOOK
Part# : LUC-PM



DUSK/DAWN SENSOR
Part# : LUC-DTD



3/4" ADJUSTABLE SWIVEL
Part# : ****



SLIP FITTING
Part# : 2" Diameter LUC-S2
2.5" Diameter LUC-S2.5
3" Diameter LUC-S2.5