



10W JUNCTION BOX SERIES

DESCRIPTION

Designed to outshine and outlast the competition, the Walkway Lighting fixture features advanced electronic technology like Pulse Width Modulation, Electronic Thermal Management, and a Failsafe Redundant Circuit Design that allow the fixture to function even if half of the light should fail in extreme conditions.

Features and Benefits:

- All In One LED Light and Junction Box
- Easy Pole or Ceiling Mounting Options
- 100 Watt Halogen Bulb Replacement
- UL Certified, IP-68/IP69K Rating

SPECIFICATIONS

MECHANICAL:

Fixture Weight:	2 lbs (0.9kg)
Shipping Weight:	4 lbs (1.8kg)
Mounting:	(4) 3/4" NPT - SIDES

TECHNICAL:

LED:	5630 (LG) X 40EA
Lumens:	1,000 lm
Beam Pattern:	180°
Wattage:	10W
Amp Draw:	0.09A@115V AC 0.04A @ 230V AC 0.04 @ 277V AC
Color Temperature:	5000 Kelvin
Operating Voltage:	90-264V AC 127-370V DC
Operating Temp:	-40°C ~ 60°C
Lifespan:	50,000 hrs
Frequency:	47-63Hz
THD:	<20% (@load≥50% 115VAC,230VAC) (@load≥75% / 277VAC)
Power Factor:	≥ 0.98/115VAC ≥ 0.95/230VAC ≥ 0.92/277VAC
Short Circuit:	Constant Current Limiting, Recovers Automatically After Fault Condition is Removed
Polarity:	Reverse Polarity Protection

CONSTRUCTION:

Housing Material:	Die-Cast 6061 Aluminum
Lens:	Polycarbonate
Finish:	Gloss Grey

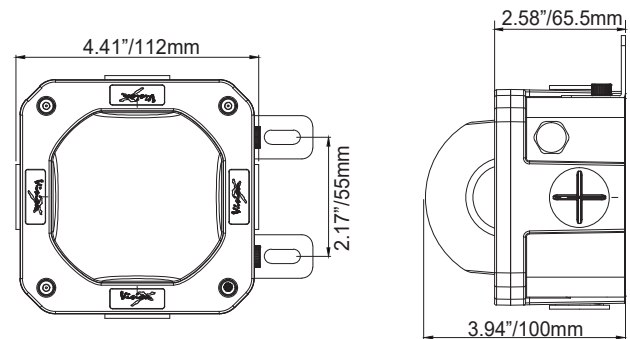


Optional Lens Covers



PART #:	BEAM PATTERN	LENS COLOR
LSGSM40180F	180° Ultra Wide Flood	Frosted
LSGSM40180	180° Ultra Wide Flood	Clear
LSGSM40180PCVR	180° Ultra Wide Flood	Red
LSGSM40180PCVG	180° Ultra Wide Flood	Green
LSGSM40180PCVB	180° Ultra Wide Flood	Blue
LSGSM40180PCVA	180° Ultra Wide Flood	Amber

2D DRAWING:



RATINGS:

EMC Emission:	Compliance to EN55022, EN61000-3-2 Class A, EN61000-3-3
EMC Immunity:	Compliance to EN55024, EN61000-4-2,3,4,5,6,8,11; light industry level (surge 2KV), criteria A
Ingress Protection:	IP-68, IP69k
Vibration Rating:	15.6 Grms
Warranty:	5 Years