

Kinko -K- SGP Butt-welded Fittings

FEATURES:

1. Materials
 - use wrought carbon steel meet ASTM A234 WPB ANSI B16.9 specifications.
 - If necessary, the Ultrasonic Examination, Magnetic Particle Examination, Radiographic Examination, Mechanical Test are performed.
2. With 3D CAD\CAM technology and automatic production line
 - Uniform Wall Thickness and Perfectly Rounded
 - Accurate Dimensions and Shapes
3. Compact and Light Weight compare with malleable iron fittings
4. Simple Insulation with no protruding portion
5. Low Fluid – Resistance with smooth inner surface
6. High Mechanical Strength
 - Same strength as that of pipe to which fittings are welded
7. Wide Service Range With Low Cost
8. Standards of SGP Butt-welding Fittings
 - JIS B2311 for BS 1387 and JIS 3452 pipes
9. Coating
 - Rust – resistant black paint or
 - Hot – dip galvanized



90° Elbow (Long)



90° Elbow (Short)



45° Elbow (Long)



Cap



Con - Reducer



Ecc - Reducer



Equal Tee



Reducing Tee

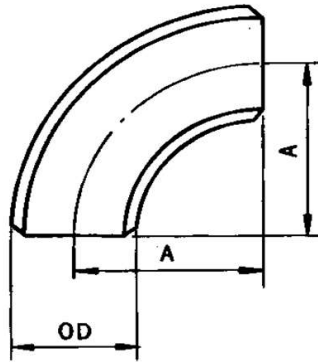
Outside Diameter (OD)

Pipe Standards:		ASTM A53	BS 1387 "B & C"
			JIS 3453
Fittings Standards:		ASME B16.9	JIS B2311
Nominal Diameter		API	SGP
Inch	DN	OD (mm)	OD (mm)
1/2"	DN15	21.3	21.7
3/4"	DN20	26.7	27.2
1"	DN25	33.4	34.0
1-1/4"	DN32	42.2	42.7
1-1/2"	DN40	48.3	48.6
2"	DN50	60.3	60.5
2-1/2"	DN65	73.0	76.3
3"	DN80	88.9	89.1
4"	DN100	114.3	114.3
5"	DN125	141.3	139.8
6"	DN150	168.3	165.2
8"	DN200	219.1	216.3
10"	DN250	273.0	267.4
12"	DN300	323.8	318.5
14"	DN350	355.6	355.6
16"	DN400	406.4	406.4
18"	DN450	457.2	457.2
20"	DN500	508.0	508.0
22"	DN550	558.8	
24"	DN600	609.6	
26"	DN650	660.4	
28"	DN700	711.2	
30"	DN750	762.0	
32"	DN800	812.8	
34"	DN850	863.6	
36"	DN900	914.4	
38"	DN950	965.2	
40"	DN1000	1016.0	
42"	DN1050	1066.8	
44"	DN1100	1117.6	
46"	DN1150	1168.4	
48"	DN1200	1219.2	
52"	DN1300	1320.8	
54"	DN1350	1371.6	
56"	DN1400	1422.4	
60"	DN1500	1524.0	

Wall Thickness Of Fittings (mm):

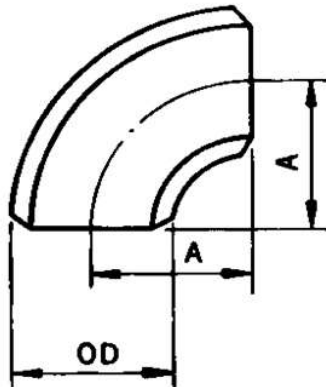
Nominal Diameter		Wall Thickness Schedules (JIS B2311 / ASME B16.9)					
Inch	DN	SGP	STD	Sch20	Sch40	XS	Sch80
1/2"	DN15	2.8	2.8		2.8	3.7	3.7
3/4"	DN20	2.8	2.9		2.9	3.9	3.9
1"	DN25	3.2	3.4		3.4	4.5	4.5
1-1/4"	DN32	3.5	3.6		3.6	4.9	4.9
1-1/2"	DN40	3.5	3.7		3.7	5.1	5.1
2"	DN50	3.8	3.9		3.9	5.5	5.5
2-1/2"	DN65	4.2	5.2		5.2	7.0	7.0
3"	DN80	4.2	5.5		5.5	7.6	7.6
4"	DN100	4.5	6.0		6.0	8.6	8.6
5"	DN125	4.5	6.6		6.6	9.5	9.5
6"	DN150	5.0	7.1		7.1	11.0	11.0
8"	DN200	5.8	8.2	6.35	8.2	12.7	12.7
10"	DN250	6.6	9.3	6.35	9.3	12.7	15.1
12"	DN300	6.9	9.5	6.35	10.3	12.7	17.4
14"	DN350	7.9	9.5	7.92	11.1	12.7	19.0
16"	DN400	7.9	9.5	7.92	12.7	12.7	21.4
18"	DN450	7.9	9.5	7.92	14.3	12.7	23.8
20"	DN500	7.9	9.5	9.53	15.1	12.7	26.2
22"	DN550		9.5	9.53	15.9	12.7	28.6
24"	DN600		9.5	9.53	17.5	12.7	31.0
26"	DN650		9.5	12.70	18.9	12.7	34.0
28"	DN700		9.5	12.70	17.5	12.7	
30"	DN750		9.5	12.70	17.5	12.7	
32"	DN800		9.5	12.70	17.5	12.7	
34"	DN850		9.5	12.70	17.5	12.7	
36"	DN900		9.5	12.70	19.1	12.7	
38"	DN950		9.5			12.7	
40"	DN1000		9.5		26.2	12.7	
42"	DN1050		9.5			12.7	
44"	DN1100		9.5			12.7	
46"	DN1150		9.5			12.7	
48"	DN1200		9.5			12.7	

Long Radius 90° Elbow



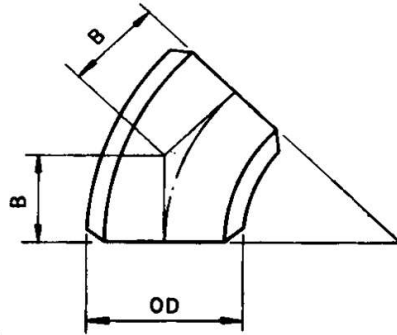
Nominal Diameter		Center-to-End	Weight (Kg)					
Inch	DN	A (mm)	SGP	STD	Sch20	Sch40	XS	Sch80
1/2"	DN15	38.1	0.078	0.078		0.078	0.098	0.098
3/4"	DN20	38.1	0.101	0.104		0.104	0.134	0.134
1"	DN25	38.1	0.146	0.153		0.153	0.196	0.196
1-1/4"	DN32	47.6	0.253	0.259		0.259	0.341	0.341
1-1/2"	DN40	57.2	0.349	0.368		0.368	0.491	0.491
2"	DN50	76.2	0.635	0.651		0.651	0.892	0.892
2-1/2"	DN65	95.3	1.12	1.36		1.36	1.79	1.79
3"	DN80	114.3	1.58	2.03		2.03	2.74	2.74
4"	DN100	152.4	2.91	3.83		3.83	5.36	5.36
5"	DN125	190.5	4.49	6.48		6.48	9.13	9.13
6"	DN150	228.6	7.09	9.93		9.93	15.0	15.0
8"	DN200	304.8	14.4	20.1	15.9	20.1	30.5	30.5
10"	DN250	381.0	25.4	35.4	25.0	35.4	48.7	56.2
12"	DN300	457.2	38.0	52.8	35.7	56.2	69.9	92.7
14"	DN350	533.4	56.7	67.9	56.9	78.9	89.9	132.0
16"	DN400	609.6	74.3	89.0	60.0	118.0	118.0	194.0
18"	DN450	685.8	94.2	112.9	94.5	168.0	149.8	274.0
20"	DN500	762.0	117.0	139.7	140.0	219.0	185.5	372.0
22"	DN550	838.2		169.3	170.0	280.0	225.0	492.0
24"	DN600	914.4		201.7	202.0	367.0	268.3	635.0
26"	DN650	990.6		237.0	316.0		315.3	
28"	DN700	1066.8		275.2	367.0		366.2	
30"	DN750	1143.0		316.2	420.0		420.9	
32"	DN800	1219.2		360.1	480.0		479.4	
34"	DN850	1295.4		406.8	543.0		541.7	
36"	DN900	1371.6		456.3	608.0		607.8	
38"	DN950	1447.8		508.7			677.8	
40"	DN1000	1524.0		563.9			751.5	
42"	DN1050	1600.2		622.0			829.0	
44"	DN1100	1676.4		682.9			910.3	
46"	DN1150	1752.6		746.7			995.5	
48"	DN1200	1828.8		813.3			1084.4	

Short Radius 90° Elbow



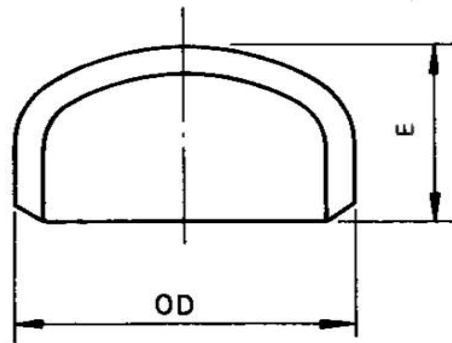
Nominal Diameter		Center-to-End A (mm)	Weight (Kg)				
Inch	DN		SGP	STD	Sch40	XS	Sch80
1"	DN25	25.4	0.097	0.1	0.1	0.13	0.13
1-1/4"	DN32	31.8	0.169	0.17	0.17	0.23	0.23
1-1/2"	DN40	38.1	0.233	0.24	0.24	0.33	0.33
2"	DN50	50.8	0.424	0.43	0.43	0.60	0.60
2-1/2"	DN65	63.5	0.744	0.91	0.91	1.19	1.19
3"	DN80	76.2	1.05	1.36	1.36	1.83	1.83
4"	DN100	101.6	1.94	2.55	2.55	3.57	3.57
5"	DN125	127.0	2.99	4.32	4.32	6.08	6.08
6"	DN150	152.4	4.72	6.62	6.62	10.0	10.0
8"	DN200	203.2	9.6	13.4	13.4	20.3	20.3
10"	DN250	254.0	16.9	23.6	23.6	32.5	37.4
12"	DN300	304.8	25.4	35.2	37.4	46.6	61.8
14"	DN350	355.6	37.8	45.2	52.6	59.9	88.0
16"	DN400	406.4	49.5	59.3	78.6	78.6	130.0
18"	DN450	457.2	62.8	75.3	112.0	99.9	183.0
20"	DN500	508.0	77.7	93.1	146.0	123.7	248.0
22"	DN550	558.8		112.8	187.0	150.0	328.0
24"	DN600	609.6		134.5	244.0	178.8	423.0
26"	DN650	660.4		158.0		210.2	
28"	DN700	711.2		183.5		244.2	
30"	DN750	762.0		210.8		280.6	
32"	DN800	812.8		240.0		319.6	
34"	DN850	863.6		271.2		361.2	
36"	DN900	914.4		304.2		405.2	
38"	DN950	965.2		339.0		452.0	
40"	DN1000	1016.0		376.0		501.0	
42"	DN1050	1066.8		414.7		552.7	
44"	DN1100	1117.6		455.3		606.9	
46"	DN1150	1168.4		498.0		664.0	
48"	DN1200	1219.2		542.2		722.9	

Long Radius 45° Elbow



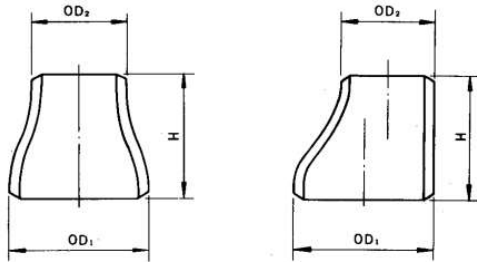
Nominal Diameter		Center-to-End B (mm)	Weight (Kg)					
Inch	DN		SGP	STD	Sch20	Sch40	XS	Sch80
1/2"	DN15	15.8	0.039	0.039		0.039	0.049	0.049
3/4"	DN20	15.8	0.051	0.052		0.052	0.067	0.067
1"	DN25	15.8	0.073	0.077		0.077	0.098	0.098
1-1/4"	DN32	19.7	0.127	0.13		0.13	0.171	0.171
1-1/2"	DN40	23.7	0.175	0.184		0.184	0.246	0.246
2"	DN50	31.6	0.318	0.326		0.326	0.446	0.446
2-1/2"	DN65	39.5	0.56	0.68		0.68	0.9	0.9
3"	DN80	47.3	0.79	1.02		1.02	1.37	1.37
4"	DN100	63.1	1.46	1.92		1.92	2.68	2.68
5"	DN125	78.9	2.25	3.24		3.24	4.57	4.57
6"	DN150	94.7	3.55	4.97		4.97	7.5	7.5
8"	DN200	126.3	7.2	10.1	7.95	10.1	15.3	15.3
10"	DN250	157.8	12.7	17.7	12.5	17.7	24.4	28.1
12"	DN300	190.5	19.0	26.4	17.9	28.1	35.0	46.4
14"	DN350	222.3	28.4	34.0	28.5	39.5	45.0	66.0
16"	DN400	254.0	37.2	44.5	30.0	59.0	59.0	97.0
18"	DN450	285.8	47.1	56.5	47.3	84.0	74.9	137.0
20"	DN500	317.5	58.5	69.9	70.0	109.5	92.8	186.0
22"	DN550	342.9		84.7	85.0	140.0	112.5	246.0
24"	DN600	381.0		100.9	101.0	183.5	134.2	317.5
26"	DN650	406.4		118.5	158.0		157.7	
28"	DN700	438.2		137.6	183.5		183.1	
30"	DN750	469.9		158.1	210.0		210.5	
32"	DN800	501.7		180.1	240.0		239.7	
34"	DN850	533.4		203.4	271.5		270.9	
36"	DN900	562.0		228.2	304.0		303.9	
38"	DN950	599.7		254.4			338.9	
40"	DN1000	631.2		282.0			375.8	
42"	DN1050	662.8		311.0			414.5	
44"	DN1100	694.4		341.5			455.2	
46"	DN1150	725.9		373.4			497.8	
48"	DN1200	757.5		406.7			542.2	

Cap



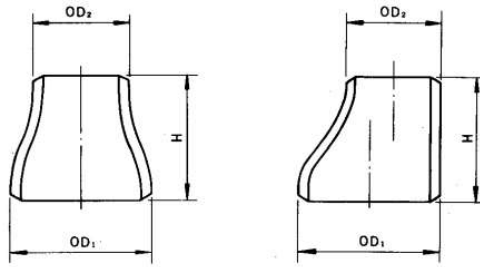
Nominal Diameter		Length E (mm)	Weight (Kg)				
Inch	DN		SGP	STD	Sch40	XS	Sch80
1/2"	DN15	25.4	0.038	0.04	0.04	0.05	0.05
3/4"	DN20	25.4	0.048	0.05	0.05	0.07	0.07
1"	DN25	38.1	0.103	0.11	0.11	0.14	0.14
1-1/4"	DN32	38.1	0.141	0.14	0.14	0.20	0.20
1-1/2"	DN40	38.1	0.162	0.17	0.17	0.24	0.24
2"	DN50	38.1	0.228	0.23	0.23	0.37	0.37
2-1/2"	DN65	38.1	0.34	0.4	0.4	0.70	0.70
3"	DN80	50.8	0.51	0.66	0.66	1.10	1.10
4"	DN100	63.5	0.88	1.17	1.17	1.92	1.92
5"	DN125	76.2	1.29	1.90	1.90	3.06	3.06
6"	DN150	88.9	1.99	2.82	2.82	4.82	4.82
8"	DN200	101.6	3.61	5.11	5.11	9.22	9.22
10"	DN250	127.0	6.33	8.91	8.91	12.5	16.4
12"	DN300	152.4	9.43	13.3	14.1	17.7	26.4
14"	DN350	165.1	13.2	15.9	18.5	21.2	34.9
24"	DN600	266.7		45.0		60.1	
26"	DN650	266.7		50.3		67.3	
28"	DN700	266.7		56.0		74.8	
30"	DN750	266.7		61.9		82.8	
32"	DN800	266.7		68.2		91.2	
34"	DN850	266.7		74.8		100.0	
36"	DN900	266.7		81.7		109.2	
38"	DN950	304.8		94.4		126.2	
40"	DN1000	304.8		102.1		136.5	
42"	DN1050	304.8		110.1		147.2	
44"	DN1100	342.9		124.9		166.9	
46"	DN1150	342.9		133.7		178.7	
48"	DN1200	342.9		142.8		191.0	

Concentric and Eccentric Reducer



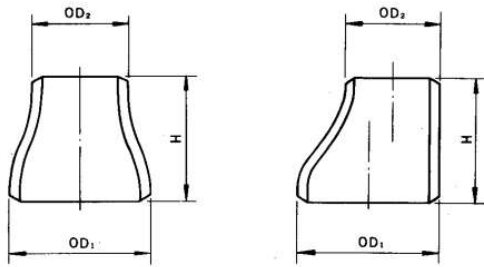
Nominal Diameter		Length H (mm)	Con - Reducer Weight (Kg)						
Inch	DN		SGP	STD	Sch40	XS	Sch80		
3/4" x 1/2"	20 x 15	38.1	0.060	0.060	0.060	0.070	0.070		
1" x 3/4"	25 x 20	50.8	0.110	0.110	0.110	0.140	0.140		
			1/2"	15	0.099	0.099	0.099	0.132	0.132
1-1/4" x 1"	32 x 25	50.8	0.150	0.150	0.150	0.200	0.200		
			3/4"	20	0.138	0.138	0.138	0.184	0.184
			1/2"	15	0.126	0.126	0.126	0.167	0.167
1-1/2" x 1-1/4"	40 x 32	63.5	0.240	0.240	0.240	0.320	0.320		
			1"	25	0.207	0.207	0.207	0.289	0.289
			3/4"	20	0.188	0.188	0.188	0.262	0.262
			1/2"	15	0.173	0.173	0.173	0.240	0.240
2" x 1-1/2"	50 x 40	76.2	0.371	0.371	0.371	0.510	0.510		
			1-1/4"	32	0.350	0.350	0.350	0.476	0.476
			1"	25	0.320	0.320	0.320	0.431	0.431
			3/4"	20	0.300	0.300	0.300	0.396	0.396
2-1/2" x 2"	65 x 50	88.9	0.591	0.720	0.720	0.942	0.942		
			1-1/2"	40	0.536	0.652	0.652	0.851	0.851
			1-1/4"	32	0.509	0.619	0.619	0.805	0.805
			1"	25	0.469	0.569	0.569	0.739	0.739
3" x 2-1/2"	80 x 65	88.9	0.722	0.930	0.930	1.250	1.250		
			2"	50	0.650	0.835	0.835	1.120	1.120
			1-1/2"	40	0.595	0.763	0.763	1.020	1.020
			1-1/4"	32	0.568	0.728	0.728	0.971	0.971
4" x 3"	100 x 80	101.6	1.10	1.44	1.44	2.01	2.01		
			2-1/2"	65	1.02	1.34	1.34	1.87	1.87
			2"	50	0.93	1.22	1.22	1.70	1.70
			1-1/2"	40	0.87	1.13	1.13	1.57	1.57
5" x 4"	125 x 100	127.0	1.73	2.49	2.49	3.50	3.50		
			3"	80	1.55	2.23	2.23	3.12	3.12
			2-1/2"	65	1.46	2.10	2.10	2.93	2.93
			2"	50	1.35	1.93	1.93	2.70	2.70
6" x 5"	150 x 125	139.7	2.54	3.55	3.55	5.36	5.36		
			4"	100	2.32	3.24	3.24	4.88	4.88
			3"	80	2.10	2.93	2.93	4.40	4.40
			2-1/2"	65	1.99	2.78	2.78	4.16	4.16
8" x 6"	200 x 150	152.4	4.03	5.62	5.62	8.49	8.49		
			5"	125	3.75	5.23	5.23	7.89	7.89
			4"	100	3.48	4.84	4.84	7.28	7.28

Concentric and Eccentric Reducer



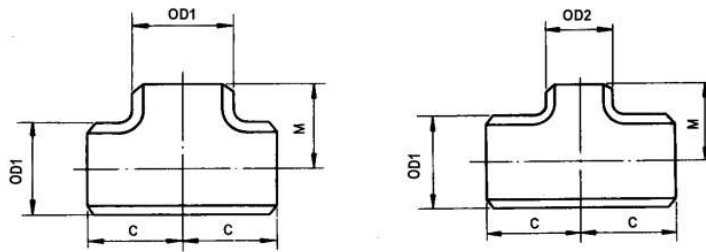
Nominal Diameter		Length H (mm)	Con - Reducer Weight (Kg)					
Inch	DN		SGP	STD	Sch20	Sch40	XS	Sch80
10" x 8"	250 x 200	177.8	6.80	9.48	7.89	9.48	13.1	15.0
	6" 150		6.07	8.44		8.44	12.7	13.3
	5" 125		5.70	7.92		7.92	11.3	12.5
	4" 100		5.33	7.40		7.40	10.5	11.6
12" x 10"	300 x 250	203.2	9.89	13.9	11.1	14.6	18.3	24.0
	8" 200		9.00	12.8	10.7	13.3	16.8	21.8
	6" 150		8.12	11.0		11.9	15.2	19.6
	5" 125		7.68	10.2		11.3	14.3	18.5
14" x 12"	350 x 300	330.2	21.2	25.6	25.6	29.4	33.8	49.2
	10" 250		19.5	23.8	24.2	27.1	32.0	45.2
	8" 200		17.9	21.9	23.1	24.8	29.8	41.3
	6" 150		16.2	20.2		22.5	27.5	37.3
16" x 14"	400 x 350	355.6	25.8	30.9	30.5	41.0	41.0	67.4
	12" 300		24.5	29.4	29.9	38.9	38.9	64.0
	10" 250		22.8	27.3	28.8	36.1	36.1	59.2
	8" 200		21.0	25.1	27.7	33.2	33.2	54.4
18" x 16"	450 x 400	381.0	31.4	37.7		56.1	50.0	91.2
	14" 350		29.6	35.4		52.7	47.0	85.5
	12" 300		28.2	33.8		50.2	44.7	81.4
	10" 250		26.3	31.5		46.7	41.7	75.7
20" x 18"	500 x 450	508.0	47.0	56.3		88.4	74.7	150
	16" 400		44.4	53.3		83.6	70.7	141
	14" 350		41.9	50.2		78.8	66.6	133
	12" 300		40.1	48.0		75.3	63.7	127
22" x 20"	550 x 500	508.0		62.3		103	82.8	181
	18" 450			59.3		98	78.8	172
	16" 400			56.3		92.9	74.7	183
	14" 350			53.3		87.9	70.7	153
24" x 22"	600 x 550	508.0		68.4		124	90.9	215
	20" 500			65.3		119	86.8	205
	18" 450			62.3		113	82.8	195
	16" 400			59.3		107	78.8	185
26" x 24"	650 x 600	609.6		89.3			119	
	22" 550			85.7			114	
	20" 500			82.0			109	
	18" 450			78.4			104	
28" x 26"	700 x 650	609.6		96.5			128	
	24" 600			92.9			124	
	22" 550			89.3			119	
	20" 500			85.7			114	

Concentric and Eccentric Reducer



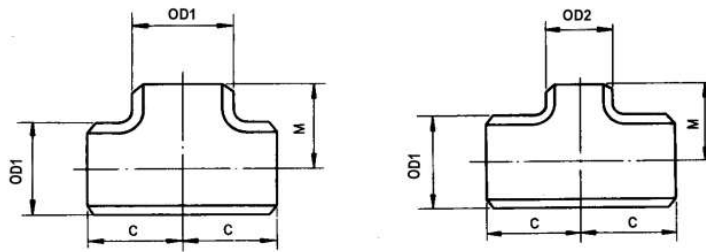
Nominal Diameter		Length H (mm)	Con - Reducer Weight (Kg)			
Inch	DN		SGP	STD	XS	Sch80
30" x 28"	750 x 700	609.6		104	138	
	650		100	133		
	600		97	128		
	550		93	124		
32" x 30"	800 x 750	609.6		111	148	
	700		107	143		
	650		104	138		
	600		100	133		
34" x 32"	850 x 800	609.6		118	158	
	750		115	153		
	700		111	148		
	650		107	143		
36" x 34"	900 x 850	609.6		126	167	
	800		122	162		
	750		118	158		
	700		115	153		
38" x 36"	950 x 900	609.6		133	177	
	850		129	172		
	800		126	167		
	750		122	162		
40" x 38"	1000 x 950	609.6		140	187	
	900		136	182		
	850		133	177		
	800		129	172		
42" x 40"	1050 x 1000	609.6		147	196	
	950		144	191		
	900		140	187		
	850		136	182		
44" x 42"	1100 x 1050	609.6		155	206	
	1000		151	201		
	950		147	196		
	900		144	191		
46" x 44"	1150 x 1100	711.2		189	252	
	1050		185	246		
	1000		180	240		
	950		176	235		
48" x 46"	1200 x 1150	711.2		197	263	
	1100		193	257		
	1050		189	252		
	1000		185	246		

Equal and Reduce Tee



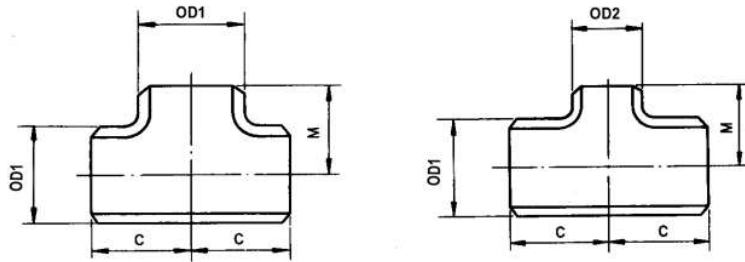
Nominal Diameter		Center-to-End		Weight (Kg)					
Inch	DN	C (mm)	M (mm)	SGP	STD	Sch40	XS	Sch80	
1/2" x 1/2"	15 x 15	25.4	25.4	0.085	0.085	0.085	0.107	0.107	
3/4" x 3/4"	20 x 20	28.6	28.6	0.122	0.125	0.125	0.162	0.162	
			15	28.6	0.116	0.119	0.119	0.153	0.153
1" x 1"	25 x 25	38.1	38.1	0.236	0.250	0.250	0.318	0.318	
			20	38.1	0.221	0.232	0.232	0.297	0.297
			15	38.1	0.218	0.223	0.223	0.284	0.284
1-1/4" x 1-1/4"	32 x 32	47.6	47.6	0.411	0.421	0.421	0.554	0.554	
			25	47.6	0.386	0.398	0.398	0.521	0.521
			20	47.6	0.366	0.376	0.376	0.493	0.493
			15	47.6	0.353	0.365	0.365	0.478	0.478
1-1/2" x 1-1/2"	40 x 40	57.2	57.2	0.573	0.603	0.603	0.805	0.805	
			32	57.2	0.556	0.583	0.583	0.776	0.776
			25	57.2	0.525	0.553	0.553	0.733	0.733
			20	57.2	0.501	0.526	0.526	0.699	0.699
			15	57.2	0.488	0.511	0.511	0.680	0.680
2" x 2"	50 x 50	63.5	63.5	0.851	0.872	0.872	1.190	1.190	
			40	60.3	0.791	0.814	0.814	1.110	1.110
			32	57.2	0.766	0.785	0.785	1.070	1.070
			25	50.8	0.724	0.744	0.744	1.010	1.010
			20	44.5	0.698	0.716	0.716	0.979	0.979
2-1/2" x 2-1/2"	65 x 65	76.2	76.2	1.42	1.74	1.74	2.28	2.28	
			50	69.9	1.31	1.56	1.56	2.06	2.06
			40	66.7	1.25	1.15	1.15	1.98	1.98
			32	63.5	1.22	1.48	1.48	1.94	1.94
			25	57.2	1.18	1.44	1.44	1.88	1.88
3" x 3"	80 x 80	85.7	85.7	1.87	2.41	2.41	3.25	3.25	
			65	82.6	1.79	2.29	2.29	3.07	3.07
			50	76.2	1.67	2.11	2.11	2.85	2.85
			40	73.0	1.62	2.06	2.06	2.77	2.77
			32	69.9	1.59	2.03	2.03	2.73	2.73
4" x 4"	100 x 100	104.8	104.8	3.13	4.12	4.12	5.76	5.76	
			80	98.4	2.92	3.82	3.82	5.33	5.33
			65	95.3	2.84	3.70	3.70	5.15	5.15
			50	88.9	2.72	3.53	3.53	4.93	4.93
			40	85.7	2.66	3.47	3.47	4.85	4.85
5" x 5"	125 x 125	123.8	123.8	4.52	6.53	6.53	9.20	9.20	
			100	117.5	4.3	6.13	6.13	8.62	8.62
			80	111.1	4.08	5.83	5.83	8.18	8.18
			65	108.0	4.00	5.71	5.71	8.01	8.01
			50	104.8	3.90	5.56	5.56	7.81	7.81

Equal and Reduce Tee



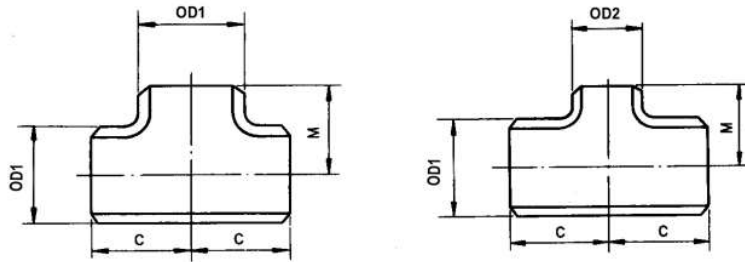
Nominal Diameter		Center-to-End		Weight (Kg)					
Inch	DN	C (mm)	M (mm)	SGP	STD	Sch20	Sch40	XS	Sch80
6" x 6"	150 x 150	142.9	142.9	6.83	9.58		9.58	14.5	14.5
	125		135.5	6.44	9.05		9.05	13.6	13.6
	100		130.2	6.22	8.67		8.67	13.0	13.0
	80		123.6	6.00	8.37		8.37	12.6	12.6
	65		120.7	5.93	8.25		8.25	12.4	12.4
8" x 8"	200 x 200	177.8	177.8	12.6	17.9	19.8	17.9	27.1	27.1
	150		168.3	11.9	16.6		16.6	25.2	25.2
	125		161.9	11.5	16.1		16.1	24.3	24.3
	100		155.6	11.3	15.7		15.7	23.7	23.7
10" x 10"	250 x 250	215.9	215.9	21.8	30.4	29.8	30.4	41.7	48.3
	200		203.2	20.4	28.5	28.6	28.5	39.1	45.0
	150		193.7	19.5	27.2		27.2	37.5	43.1
	125		190.5	19.2	26.8		26.8	36.9	42.3
	100		184.2	18.9	26.4		26.4	36.4	41.7
12" x 12"	300 x 300	254.0	254.0	31.9	44.2	37.3	47.2	58.4	77.8
	250		241.3	30.4	42.1	37.3	44.6	54.9	73.3
	200		228.6	29.0	40.5	35.4	42.7	52.3	70.0
	150		219.1	28.1	39.4		41.4	50.7	68.1
	125		215.9	27.8	39.0		41.0	50.1	67.3
14" x 14"	350 x 350	279.4	279.4	44.7	53.5	69.3	62.2	70.9	104.0
	300		269.9	42.7	51.0	69.3	59.9	67.8	100.0
	250		257.2	41.2	49.0	67.3	57.4	64.0	95.5
	200		247.7	39.9	47.5	67.3	55.6	61.9	92.5
	150		238.1	39.0	46.4		54.3	60.2	90.6
16" x 16"	400 x 400	304.8	304.8	55.2	66.1	86.0	87.7	87.7	144
	350		304.8	54.2	64.9	86.0	84.7	86	140
	300		295.3	52.2	63.3	86.0	82.3	83.9	136
	250		282.6	50.7	61.4	84.3	79.8	81.5	131
	200		273.1	49.4	59.6	84.3	78.1	79.6	128
	150		263.5	48.5	58.3		76.8	77.7	126
18" x 18"	450 x 450	342.9	342.9	70.0	83.9		125	111	203
	400		330.2	67.9	81.3		120	108	195
	350		330.2	66.9	80.1		117	106	190
	300		320.7	64.9	78.6		114	104	186
	250		308.0	63.4	76.6		112	102	182
20" x 20"	500 x 500	381.0	381.0	86.6	104.0		163	138	277
	450		368.3	84.2	101.0		158	134	266
	400		355.6	82.1	98.4		152	131	258
	350		355.6	81.1	97.2		149	129	253
	300		346.1	79.1	95.6		147	127	249
	250		333.4	77.6	93.6		144	124	245
	200		323.9	76.3	91.9		134	123	242

Equal and Reduce Tee



Nominal Diameter		Center-to-End		Weight (Kg)					
Inch	DN	C (mm)	M (mm)	SGP	STD	Sch40	XS	Sch80	
22" x 22"	550 x 550	419.1	419.1		126	208	167	366	
	20"		500	406.4		123	202	163	353
	18"		450	393.7		120	196	159	342
	16"		400	381.0		117	191	156	334
24" x 24"	600 x 600	431.8	431.8		139	253	185	438	
	22"		550	431.8		138	248	183	429
	20"		500	431.8		136	244	181	421
	18"		450	419.1		133	238	177	411
26" x 26"	650 x 650	495.3	495.3		176		234		
	24"		600	482.6		172		229	
	22"		550	469.9		169		225	
	20"		500	457.2		166		221	
28" x 28"	700 x 700	520.7	520.7		198		264		
	26"		650	520.7		196		261	
	24"		600	508.0		193		256	
	22"		550	495.3		189		252	
30" x 30"	750 x 750	558.8	558.8		228		304		
	28"		700	546.1		224		298	
	26"		650	546.1		222		296	
	24"		600	533.4		218		291	
32" x 32"	800 x 800	596.9	596.9		260		347		
	30"		750	584.2		256		341	
	28"		700	571.5		252		335	
	26"		650	571.5		250		332	
34" x 34"	850 x 850	635.0	635.0		295		392		
	32"		800	622.3		290		386	
	30"		750	609.6		285		380	
	28"		700	596.9		281		374	
36" x 36"	900 x 900	673.1	673.1		331		441		
	34"		850	660.4		326		434	
	32"		800	647.7		321		428	
	30"		750	635.0		317		422	
38" x 38"	950 x 950	711.2	711.2		369		492		
	36"		900	711.2		367		489	
	34"		850	698.5		362		482	
	32"		800	685.8		357		475	
40" x 40"	1000 x 1000	749.3	749.3		410		546		
	38"		950	749.3		407		543	
	36"		900	736.6		402		535	
	34"		850	723.9		396		528	

Equal and Reduce Tee



Nominal Diameter		Center-to-End		Weight (Kg)				
Inch	DN	C (mm)	M (mm)	SGP	STD	Sch40	XS	Sch80
42" x 42"	1050 x 1050	762.0	711.2		421		562	
	40"		1000	711.2		419		559
	38"		950	711.2		417		556
	36"		900	711.2		415		553
44" x 44"	1100 x 1100	812.8	762.0		475		633	
	42"		1050	762.0		472		629
	40"		1000	749.3		467		622
	38"		950	736.6		462		615
46" x 46"	1150 x 1150	850.9	800.1		520		694	
	44"		1100	800.1		518		690
	42"		1050	787.4		512		683
	40"		1000	774.7		507		676
48" x 48"	1200 x 1200	889.0	838.2		568		758	
	46"		1150	838.2		566		754
	44"		1100	838.2		563		751
	42"		1050	812.8		554		739