

# Round LED Off Road Lights - Model Trail 6 Pro

## PRODUCT INFORMATION

|                                      |   |
|--------------------------------------|---|
| <b>Description</b>                   | 12V LED Off Road Light with Wide Flood Beam Pattern and BlueTooth® Connectivity |
| <b>Height</b>                        | 94.00 mm / 3.7 in   |
| <b>Width</b>                         | 91.00 mm / 3.58 in  |
| <b>Depth</b>                         | 61.30 mm / 2.41 in  |
| <b>Shape</b>                         | Round   |
| <b>Outer Lens Material</b>           | Polycarbonate   |
| <b>Outer Lens Color</b>              | Clear   |
| <b>Housing Material</b>              | Aluminium   |
| <b>Housing Color</b>                 | Black   |
| <b>Bezel Color</b>                   | Graphite  |
| <b>Mounting Hardware Description</b> | (x1) 8-1.25 x 20 Stainless Steel  |
| <b>Mounting Type</b>                 | Pedestal/Panel  |
| <b>Minimum Operating Temperature</b> | -40 °C / -40 °F   |
| <b>Maximum Operating Temperature</b> | 80 °C / 176 °F  |
| <b>Connector or Wiring</b>           | 3' Cable with Integrated Connector  |
| <b>Product Weight</b>                | 2.00 lbs / 0.91 kgs   |
| <b>Shipping Weight</b>               | 2.85 lbs / 1.29 kgs   |



**TRAIL 6 PRO.**

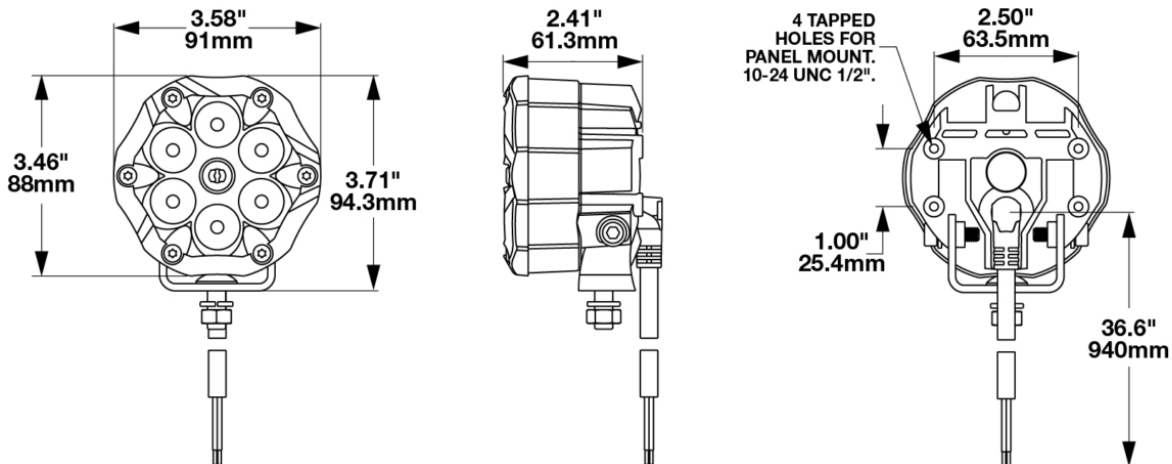
Print date: 2022-09-19

© 2022 J.W. Speaker Corporation • Germantown, WI U.S.A.  
www.jwspeaker.com • speaker@jwspeaker.com • 262.251.6660

**J.W. SPEAKER®**  
Engineered. Lighting. Solutions.

# Round LED Off Road Lights - Model Trail 6 Pro

## PRODUCT DIMENSIONS



## ELECTRICAL SPECIFICATIONS

|                      |             |
|----------------------|-------------|
| <b>Input Voltage</b> | 12 V        |
| <b>Black Wire</b>    | Ground      |
| <b>Red Wire</b>      | Power       |
| <b>Current Draw</b>  | 2.50A @ 12V |

## REGULATORY STANDARDS COMPLIANCE



Bluetooth SIG Declaration ID Buy America Standards  
Eco Friendly

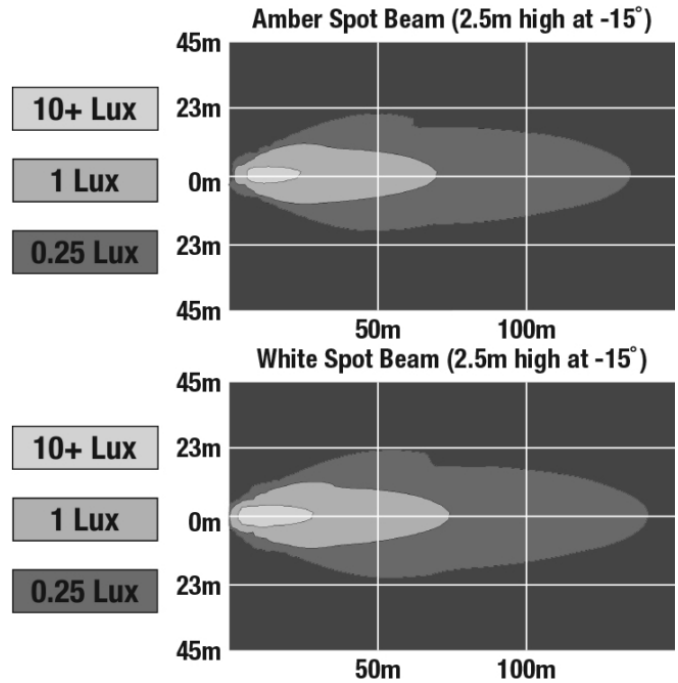
**Print date: 2022-09-19**

© 2022 J.W. Speaker Corporation • Germantown, WI U.S.A.  
www.jwspeaker.com • speaker@jwspeaker.com • 262.251.6660

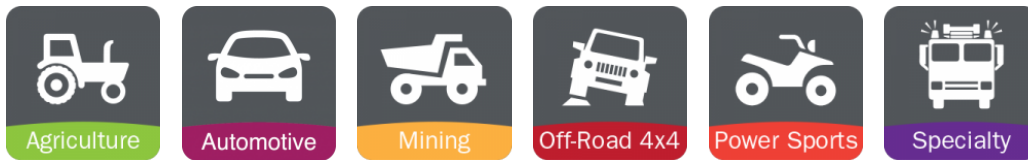
# Round LED Off Road Lights - Model Trail 6 Pro

## PHOTOMETRIC SPECIFICATIONS

|                               |   |
|-------------------------------|---|
| <b>Raw Lumen Output</b>       | 1800  |
| <b>Effective Lumen Output</b> | 1326  |
| <b>Candela Output</b>         | 20200   |
| <b>Beam Pattern(s)</b>        | Forward Lighting - Flood (Medium)<br>Forward Lighting - Flood (Wide)<br>Forward Lighting - Spot |



## APPLICATIONS



## PRODUCT WARNINGS

For California residents:

**⚠ WARNING:** Cancer and reproductive harm - [www.P65Warnings.ca.gov](http://www.P65Warnings.ca.gov).

**⚠ AVERTISSEMENT:** Cancer et effet nocif sur la reproduction - [www.P65Warnings.ca.gov](http://www.P65Warnings.ca.gov).

Print date: 2022-09-19

© 2022 J.W. Speaker Corporation • Germantown, WI U.S.A.  
www.jwspeaker.com • speaker@jwspeaker.com • 262.251.6660



# Round LED Off Road Lights - Model Trail 6 Pro

## ACCESSORIES

---



**Part Number**  
**8200563**

Appearance Kit - White  
ABS



**Part Number**  
**8200573**

Jeep Wrangler JK Front  
Grille Mounting Kit - 2  
Bracket Kit



**Part Number**  
**3271561**

4 PIN M12 CABLE, 10  
m



**Part Number**  
**3271571**

M12-RCA  
CONVERSION CABLE



**Part Number**  
**3271581**

4 PIN M12 CABLE, 6 m



**Part Number**  
**6600801**

COLOR MONITOR, 5",  
M12



**Part Number**  
**8200543**

APPEARANCE KIT -  
BLACK



**Part Number**  
**8200553**

Appearance Kit - RED