

## Installation instructions for Toyota Tacoma TC-19335 Front Bumper

2005-2011 Toyota Tacoma

- The majority of the hardware is preinstalled on the bumper. There should be a small hardware bag in the bumper. Included in that hardware bag you will find the OEM fog light brackets and the bolts to attach the brackets to the light tabs. If installing aftermarket lights you will not need this hardware or brackets.
- **We ship the winch plate preinstalled on the bumper. Before installation of the new bumper you MUST uninstall the subframe winch plate from the bumper. We ship them attached to prevent damage to bumper or winch plate. We have built in areas for adjustment so that the bumper can be lined up with the vehicle. By not taking this step there is a very good chance that the bumper WILL NOT line up with the vehicle's lines.**

### Removing Factory bumper:

- 1 Remove factory grill from truck by removing two screws from top.



- 2 Remove all fasteners from wheel well top of bumper fascia, and from bottom of bumper fascia. If equipped with driving lights disconnect wiring harness at this time.

- 3 Remove front bumper fascia. If installing factory driving lights I new front bumper, remove at



this time.

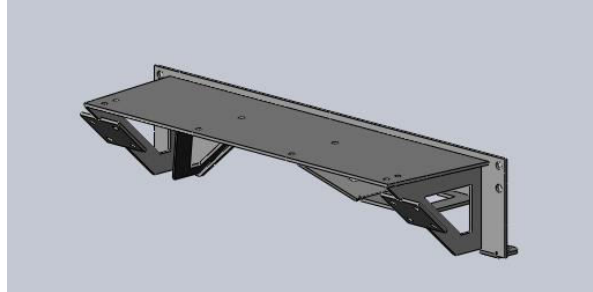
- 4 Remove aluminum front bumper structure and retain factory hard ware.
- 5 Remove two fascia supports, one on each side of vehicle.
- 6 Remove end pieces from crash bar and factory tow hook.



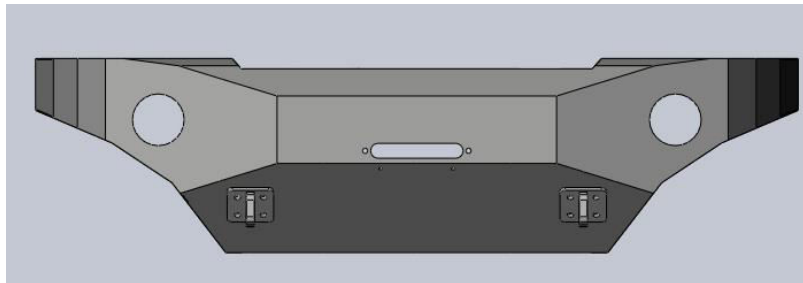
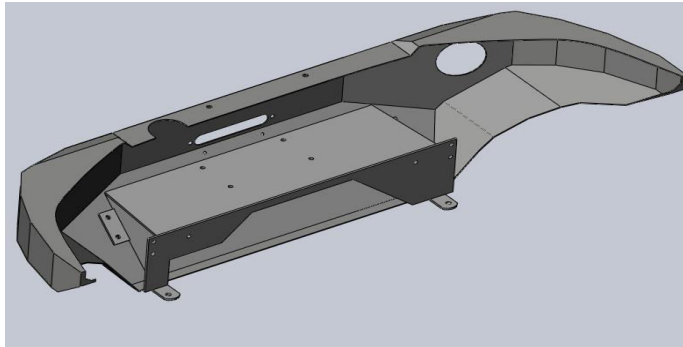
**Bumper Installation for TC-19335:**

We recommend you have help with lifting of the rear bumper to avoid injury or damage to bumper and vehicle.

- 1 Install winch plate using factory hardware used for aluminum bumper. (If installing a winch install at this time.



- 2 Install Front bumper and d-ring to winch plate using M 12 hardware. Leave loose at this time.



- 3 Check alignment to body and tighten all hardware.
- 4 Mount auxiliary lights at this time. If reusing factory lights use supplied bracket to mount lights to light tabs.
- 5 Cut inner plastic fender as needed to clear front tires.



# INSTALLATION INSTRUCTIONS

Note: Recheck all hardware after the first couple hundred miles. It is advised to inspect the bumper and hardware periodically.

Note: Recheck all hardware after the first couple hundred miles. It is advised to inspect the bumper and hardware periodically. **Do not return this product to the dealer if there is a question or concern about a possible defect, contact us directly and we will make every effort to resolve the issue as quickly as possible. 1-951-808-0750 or [orders@bodyarmor4x4.com](mailto:orders@bodyarmor4x4.com)\*\*** Body Armor warranty policy: Body Armor 4x4 warrants this product to be free from manufacturer defects for the life of the product. Damage to the product is not considered a defect; abuse of the product is not considered a defect. If fitment issues occur during the installation is not considered to be a defect, call our office to resolve fitment or installation questions. 951-808-0750. Body Armor 4x4 warranty's the paint for 90 days from date of purchase. Rust is not a warrantable defect as we cannot control proper maintenance of the product or environmental variables. We use the highest quality powder coat process as well as an E-Coat undercoating, this allows for the maximum corrosion resistance available. Proper maintenance is required to maintain the long term luster of the paint. Touch rock chips with a quality flat black spray paint or automotive touch up paint.