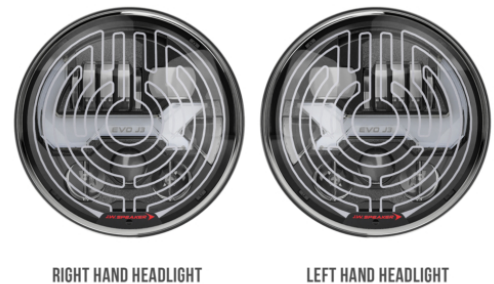


Jeep LED Headlights - Model EVO J3

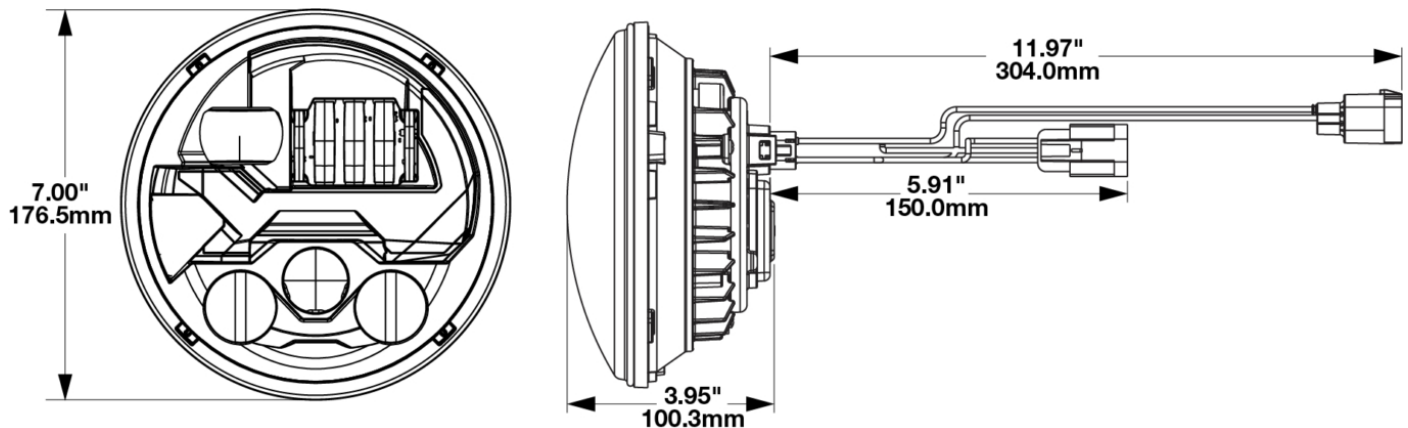
PRODUCT INFORMATION

| | |
|--------------------------------------|---|
| Description | 12V DOT LED High/Low Beam Heated Headlight w/ Built In Turn Signal - Graphite - 2 Light Kit |
| Height | 176.50 mm / 6.95 in |
| Width | 176.50 mm / 6.95 in |
| Depth | 112.00 mm / 4.41 in |
| Shape | Round |
| Outer Lens Material | Polycarbonate |
| Outer Lens Color | Clear |
| Housing Material | Aluminum |
| Housing Color | Black |
| Bezel Color | Grey |
| Retrofits | 7" Round Headlights or 2D1 PAR56 |
| Minimum Operating Temperature | -40 °C / -40 °F |
| Maximum Operating Temperature | 65 °C / 149 °F |
| Connector or Wiring | H13 Delphi 15326813 |
| Product Weight | 5.10 lbs / 2.31 kgs |
| Shipping Weight | 5.90 lbs / 2.68 kgs |



EVO J3™

PRODUCT DIMENSIONS



Print date: 2022-09-19

© 2022 J.W. Speaker Corporation • Germantown, WI U.S.A.
www.jwspeaker.com • speaker@jwspeaker.com • 262.251.6660

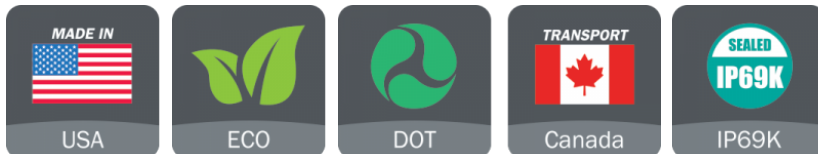
J.W. SPEAKER®
Engineered. Lighting. Solutions.

Jeep LED Headlights - Model EVO J3

ELECTRICAL SPECIFICATIONS

| | |
|-----------------------------------|---|
| Input Voltage | 12V DC |
| Operating Voltage | 9-16V DC |
| Transient Spike Protection | 150V Peak @ 1 HZ-100 Pulses |
| Black Wire | Ground |
| Yellow Wire | Low Beam |
| White Wire | High Beam |
| Orange Wire | Front Turn |
| Red Wire | Position |
| Current Draw | 2.33A @ 12V DC (Low Beam) 3.25A @ 12V DC (High Beam) 3.00A @ 12V DC (Front Turn) 0.45A @ 12V DC (Position) |

REGULATORY STANDARDS COMPLIANCE



| | |
|-------------------------------|--|
| Bluetooth SIG Declaration ID | Buy America Standards |
| Eco Friendly | FMVSS 108 s10.1 (Table XIX) |
| FMVSS 108 s10.1 (Table XVIII) | FMVSS 108 s7.1 (Table VI) |
| IEC IP69K | Tested to ECE Reg. 10 (Radiated Emissions only) |

Print date: 2022-09-19

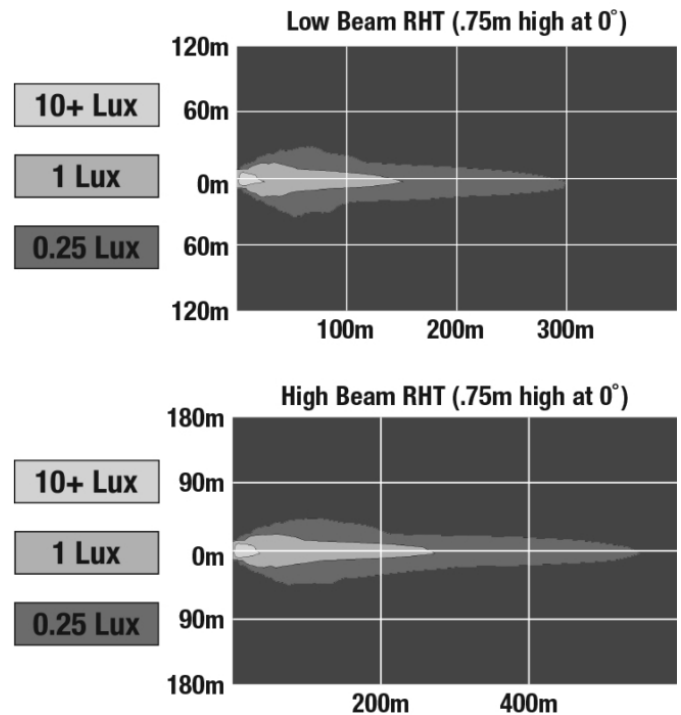
© 2022 J.W. Speaker Corporation • Germantown, WI U.S.A.
www.jwspeaker.com • speaker@jwspeaker.com • 262.251.6660

J.W. SPEAKER
Engineered. Lighting. Solutions.

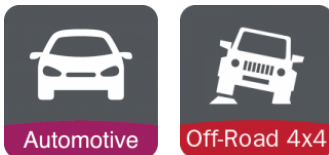
Jeep LED Headlights - Model EVO J3

PHOTOMETRIC SPECIFICATIONS

| | |
|--------------------------------------|---|
| Raw Lumen Output | 3,600 (High Beam); 3,020 (Low Beam) |
| Effective Lumen Output | 1,320 (High Beam); 1,201 (Low Beam) |
| Candela Output | 68,800 (High Beam) 24,800 (Low Beam) |
| Nominal LED Color Temperature | 5000 K |
| Beam Pattern(s) | Forward Lighting - High Beam (DOT) Forward Lighting - Low Beam (DOT) Signalization - Front Position Signalization - Turn (Front) |



APPLICATIONS



PRODUCT WARNINGS

For California residents:

⚠ WARNING: Cancer and reproductive harm - www.P65Warnings.ca.gov.

⚠ AVERTISSEMENT: Cancer et effet nocif sur la reproduction - www.P65Warnings.ca.gov.

Print date: 2022-09-19

© 2022 J.W. Speaker Corporation • Germantown, WI U.S.A.
www.jwspeaker.com • speaker@jwspeaker.com • 262.251.6660

J.W. SPEAKER
Engineered. Lighting. Solutions.

Jeep LED Headlights - Model EVO J3

RELATED PRODUCTS



Part Number
0555593

12V DOT LED
High/Low Beam
Headlight w/ Built In
Turn Signal - Graphite -
2 Light Kit



Part Number
0556441

12V DOT LED
High/Low Beam
Headlight w/ Built In
Turn Signal - Graphite -
Single RH Light



Part Number
0556451

12V DOT LED
High/Low Beam
Headlight w/ Built In
Turn Signal - Graphite -
Single LH Light



Part Number
0556461

12V DOT LED
High/Low Beam
Heated Headlight w/
Built In Turn Signal -
Graphite - Single RH
Light



Part Number
0556471

12V DOT LED
High/Low Beam
Heated Headlight w/
Built In Turn Signal -
Graphite - Single LH
Light



Part Number
0557193

12V DOT LED
High/Low Beam
Headlight w/ Built In
Turn Signal - Black - 2
Light Kit



Part Number
0557213

12V DOT LED
High/Low Beam
Heated Headlight w/
Built In Turn Signal -
Black - 2 Light Kit



Part Number
0557251

12V DOT LED
High/Low Beam
Headlight w/ Built In
Turn Signal - Black -
Single RH Light

Print date: 2022-09-19

© 2022 J.W. Speaker Corporation • Germantown, WI U.S.A.
www.jwspeaker.com • speaker@jwspeaker.com • 262.251.6660